

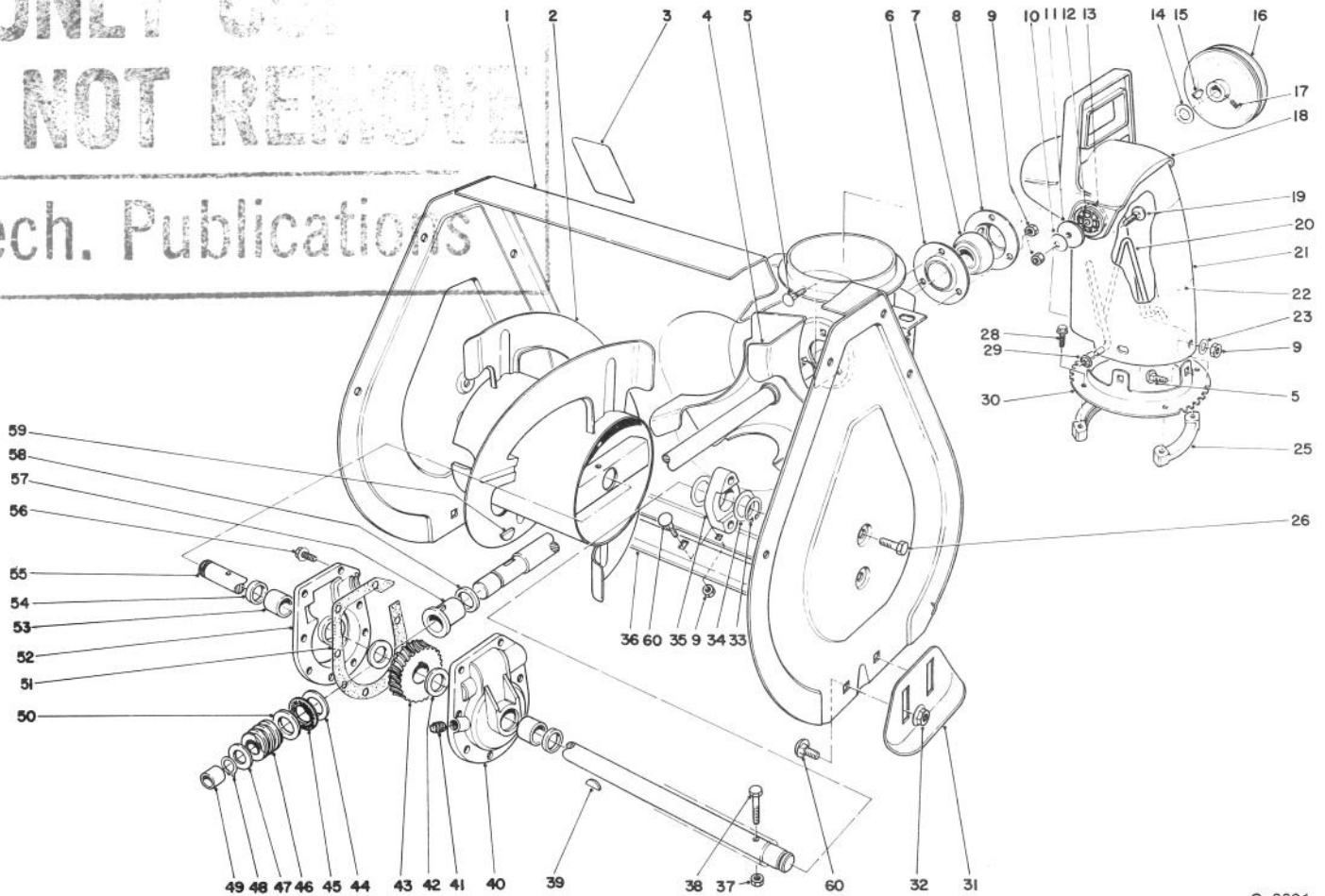


MODEL NO. 38052-2000001 & UP

**PARTS  
CATALOG**

**521 SNOWTHROWER**

ONLY USE  
DO NOT REMOVE  
Tech. Publications



C-0031

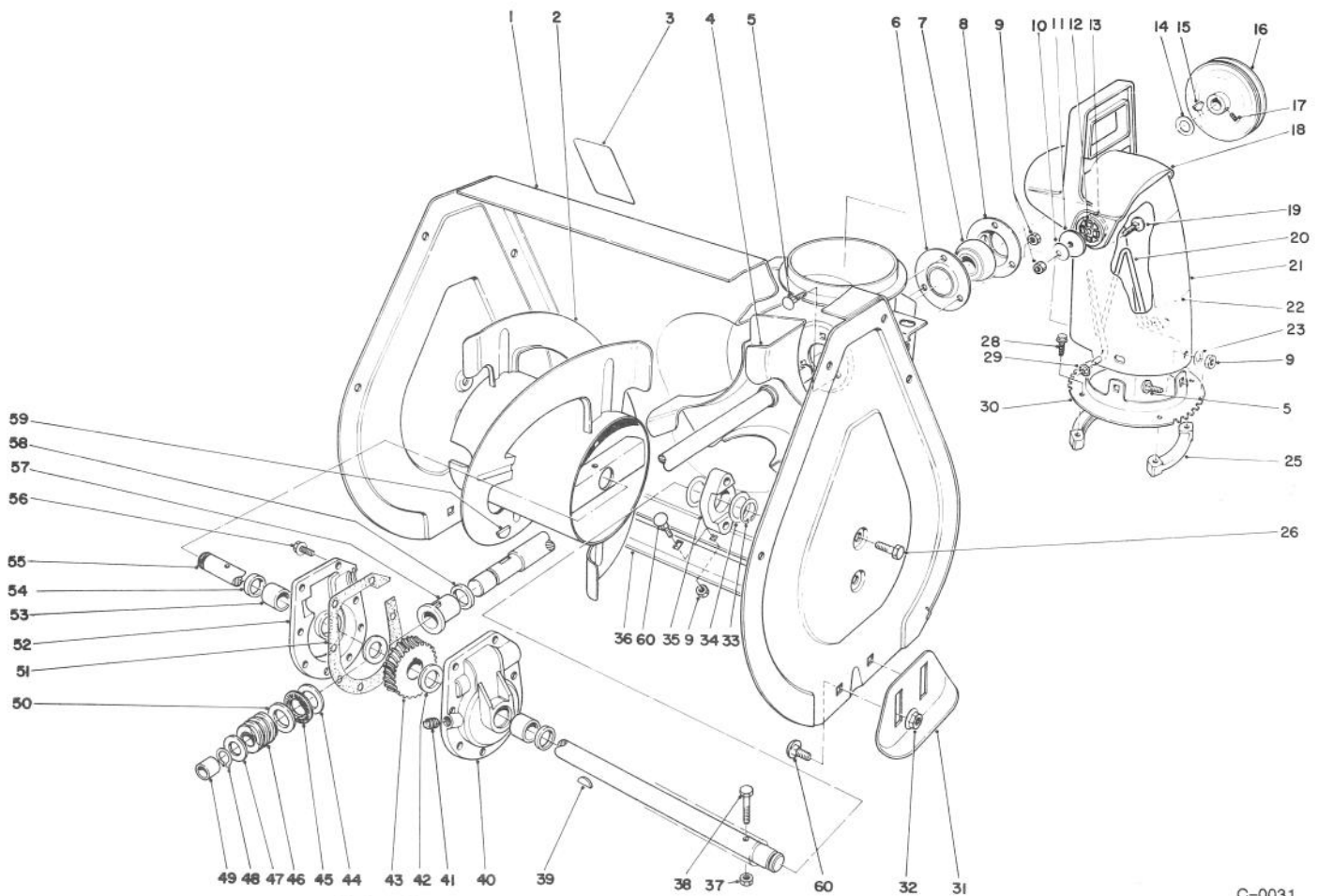
**AUGER ASSEMBLY**

Ref. No.	Part No.	Description	No. Used
1	11-5269	Housing-Auger (Incl. Ref. #3)	1
2	39-1180	Auger - R.H.	1
*	39-1190	Auger - L.H.	1
3	53-7670	Decal - Auger Warning	1
4	37-6990	Shaft & Impeller	1
5	3230-18	Bolt - Carriage	6
6		Flange - Bearing Front	1
7	63-3450	Bearing - Ball	1
8		Flange - Bearing Rear	1
9	3296-29	Nut - Lock	13
10	3290-340	Washer - Belleville	2
11	3256-68	Washer - Flat	2
12	55-8950	Plate - Friction	2

Ref. No.	Part No.	Description	No. Used
13	20-4320	Washer - Rubber	2
14	3-0737	Washer	1
15	3257-5	Key	1
16	37-6890	Pulley	1
17	3242-4	Screw - Set	2
18	56-2680	Deflector	1
19	3230-22	Bolt - Carriage	2
20	56-2670	Chute - Wire	1
21	13-7979	Chute - Discharge	1
22	63-3740	Decal - Discharge	1
23	3256-23	Washer	3
25	37-6490	Retainer - Chute Ring	3
26	32144-70	Screw - Self Tapping	4
28	27-0220	Screw - Self Tapping	6

\*Not Illustrated

TPS



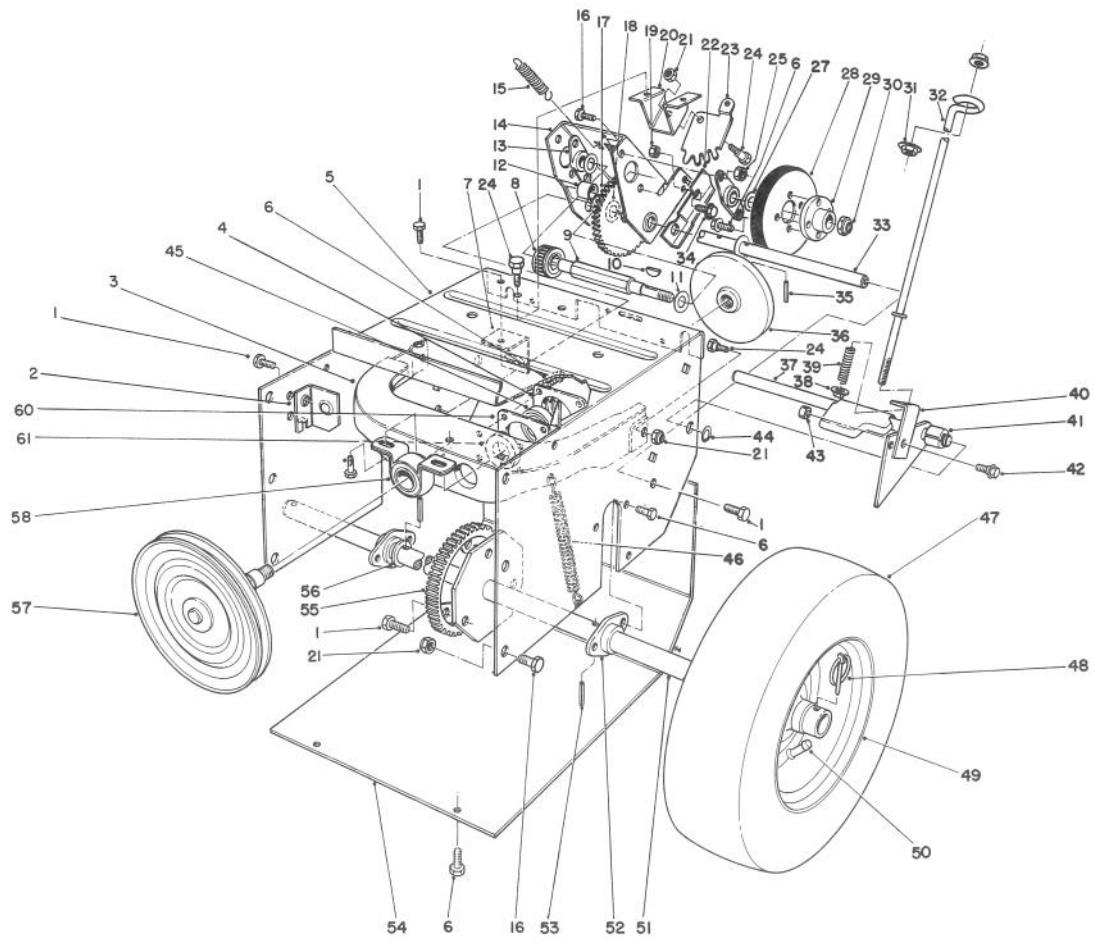
C-0031

## AUGER ASSEMBLY (Continued)

Ref. No.	Part No.	Description	No. Used
29	3290-326	Pushnut	1
30	37-8941	Ring - Chute	1
31	40-8160	Skid	2
32	32128-20	Nut - Flange	4
33	32151-36	Ring - Retaining	2
34	5-1550	Washer - Thrust	4
35	37-6550	Bearing - Auger	2
36	39-1550	Blade - Scraper	1
37	3296-42	Nut - Lock	2
38	321-10	Screw - Cap	2
39	3257-33	Key - Woodruff	1
40	14-2459	Gear Case L.H. (Incl. Ref. #53 & 54)	1
41	281-1	Pipe - Plug	1
42	252-71	Bearing - Thrust	2
43	5-7180	Gear	1
44	257-3	Washer - Thrust	1
45	252-76	Bearing - Needle, Thrust	1
46	5-7170	Gear - Worm	1

Ref. No.	Part No.	Description	No. Used
47	3-8664	Washer	1
48	32120-72	Ring - Retaining	1
49	256-32	Bushing	1
50	252-80	Washer - Thrust	1
51	51-0460	Gasket	1
52	14-2449	Gear Case R.H. (Incl. Ref. #53 & 54)	1
53	256-237	Bushing	2
54	7-0045	Seal - Oil	2
55	37-6800	Shaft - Auger	1
56	32144-41	Screw - Self Tapping	8
57	37-6560	Bushing - Input	1
58	237-87	Seal	1
59	3257-23	Key - Woodruff	1
60	3230-1	Bolt - Carriage	9
*	37-6960	Gear Case Assembly	1
*	12-8789	Bearing Assembly (Incl. Ref. #6-8)	1

\*Not Illustrated

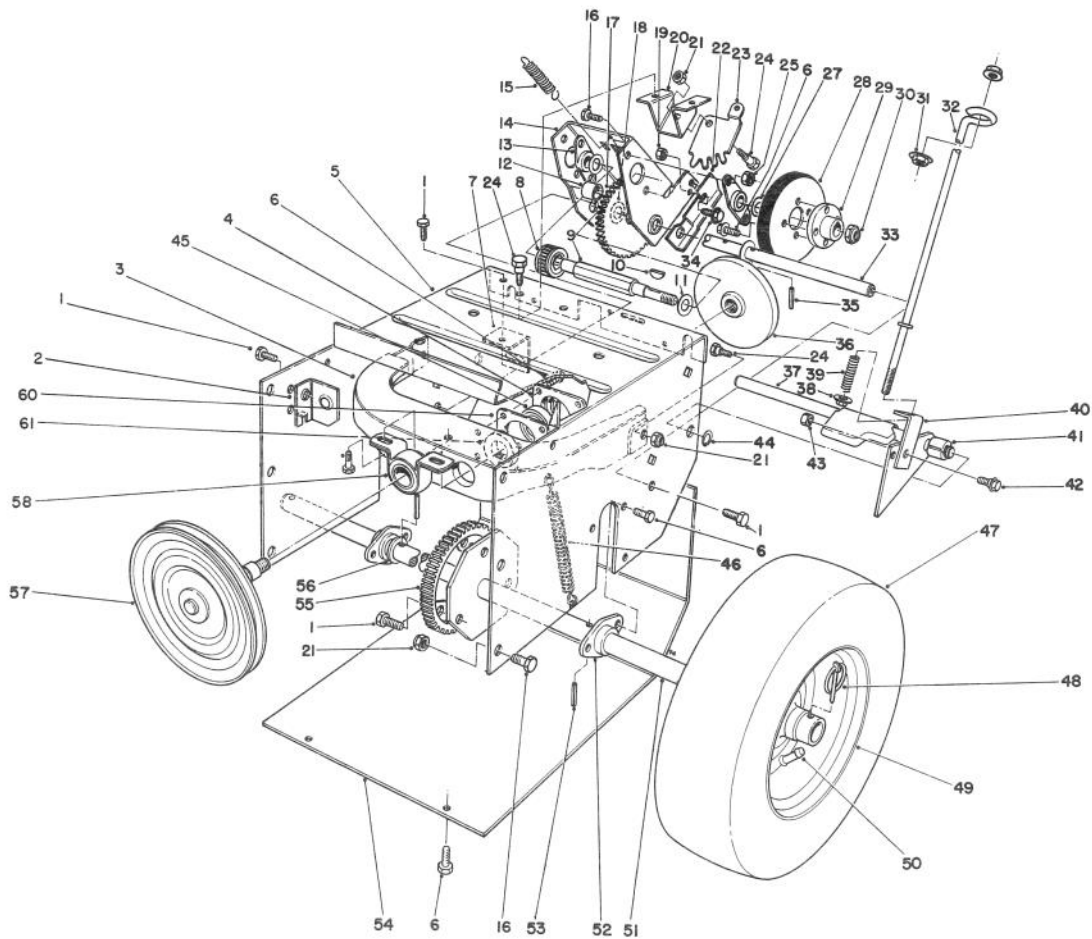


C-0032

## TRACTION ASSEMBLY

Ref. No.	Part No.	Description	No. Used	Ref. No.	Part No.	Description	No. Used
1	32144-70	Screw - Self Tap.Hex. Hd.	9	24	37-8770	Bolt - Shoulder	3
2	66-6790	Mount - Clutch Rod Front	1	25	3296-29	Nut - Lock	4
3	37-6740	Frame - Friction Plate	1	27	36-4790	Washer - Thrust	2
4	37-6730	Cup - Bearing	1	28	37-6570	Wheel - Friction	1
5	37-8900	Frame - Traction	1	29	39-1520	Hub - Friction Wheel Mount	1
6	32144-4	Screw - Self Tap.Hex. Hd.	16	30	3296-48	Nut - Lock	1
7	37-9070	Mount - Clutch Rod Rear	1	31	32128-33	Nut - Flange	2
8	37-6500	Gear - Sliding	1	32	39-3060	Rod - Lower Traction	1
9	37-6780	Shaft - Hex	1	33	37-6760	Shaft - Pivot	1
10	3257-24	Key	1	34	321-4	Screw - Hex. Hd.	1
11	5-7570	Washer - Thrust	2	35	32121-45	Pin - Roll	2
12	256-86	Bushing	1	36	38-0800	Plate - Friction	1
13	20-1620	Bearing - Friction Wheel	2	37	43-7310	Traction Engagement Assy.	1
14	39-1230	Bracket - Sliding	1	38	32128-32	Nut - Flange	1
15	37-8880	Spring - Traction Engage	1	39	38-4520	Spring - Compression	1
16	322-2	Screw - Hex. Hd. Cap	10	40	38-4490	Bracket - Traction	1
17	37-9160	Intermediate Gear & Bushing (Incl. Ref. #12)	1	41	40-9680	Spacer	1
18	10-9280	Washer - Thrust	2	42	40-8350	Screw - Shoulder	1
19	3296-16	Nut - Lock	1	43	3296-42	Nut - Lock	1
20	37-8790	Mount - Quadrant Gear	1	44	32151-61	Ring - Retaining	1
21	3296-29	Nut - Lock	9	45	38-7820	Bearing	1
22	39-1250	Cam - Receiver	1	46	37-8870	Spring - Friction Plate Frame	1
23	37-8800	Quadrant - Gear	1	47	231-120	Tire	2
				48	3290-243	Pin - Klik	2

\*Not Illustrated



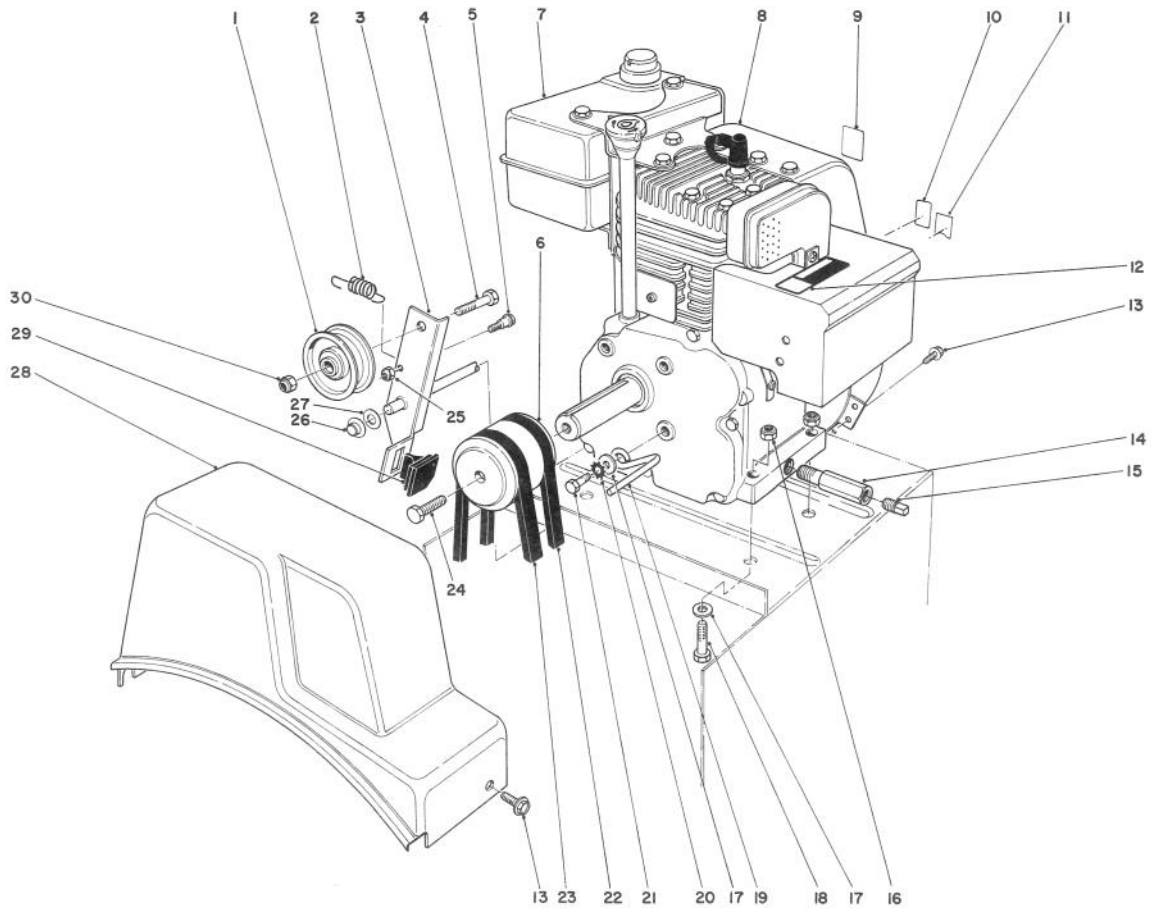
C-0032

## TRACTION ASSEMBLY (Continued)

Ref. No.	Part No.	Description	No. Used
49	241-131	Rim	2
50	232-46	Tube	2
51	74-1350	Shaft - Axle	1
52	37-6850	Bearing - Axle	2
53	32121-31	Pin - Roll	2
54	37-6830	Cover - Bottom	1
55	37-6520	Gear - Axle	1

Ref. No.	Part No.	Description	No. Used
56	3-8664	Washer - Thrust	2
57	40-8190	Pulley & Shaft	1
58	38-4470	Bushing Assembly	1
59	32144-11	Screw - Self Tap Hex. Hd.	2
60	74-1480	Spacer - Bearing	1
61	71-1470	Gasket - Bearing	1
*	56-2790	Tire Chain Kit (Optional)	1

\*Not Illustrated

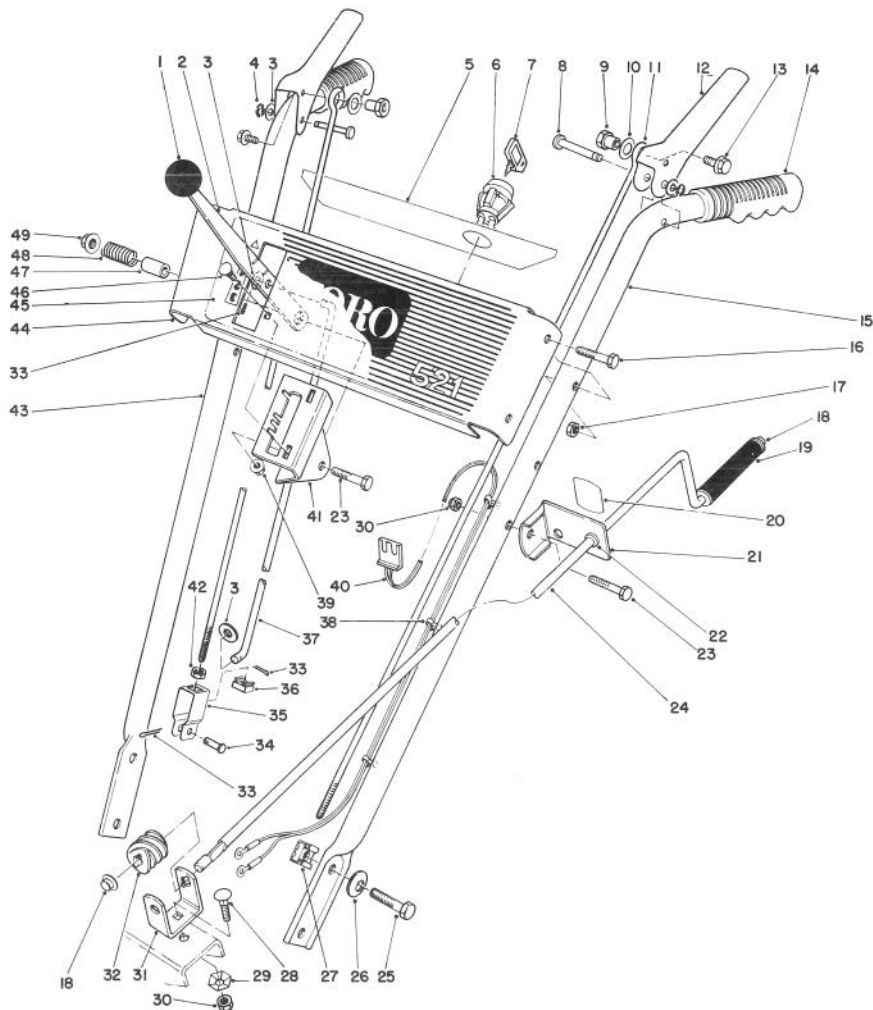


C-0038

## ENGINE ASSEMBLY

Ref. No.	Part No.	Description	No. Used
1	3-4244	Idler Pulley	1
2	53-7570	Spring - Auger Disengage	1
3	8-8649	Auger Clutch (Incl. Ref. #29)	1
4	323-29	Screw - Cap	1
5	42-3560	Bolt - Shoulder	1
6	43-7370	Engine Pulley	1
7	52-2680	Gas Tank w/Cap	1
8		Engine	1
9	62-5760	Decal - Primer	1
10	63-2450	Decal - Throttle	1
11	39-3850	Decal - Choke	1
12	66-6840	Decal - Hot Surface Warning	1
13	32144-4	Screw - Self Tapping	3
14	49-3040	Tube - Drain	1
15	281-7	Plug - Pipe	1

Ref. No.	Part No.	Description	No. Used
16	3296-29	Nut - Lock	4
17	3256-23	Washer - Flat	5
18	322-7	Screw - Cap	4
19	37-8990	Retainer - Belt	1
20	3255-8	Washer -Lock Ext. Tooth	1
21	3210-3	Screw - Cap	1
22	37-9090	V-Belt - Traction	1
23	37-9080	V-Belt - Auger	1
24	43-7290	Screw - Special	1
25	3296-56	Nut - Lock	1
26	3290-320	Nut - Push On	1
27	3256-24	Washer - Flat	1
28	37-6900	Cover - Belt	1
29	66-8060	Molded Brake Assembly	1
30	3296-59	Nut - Lock	1



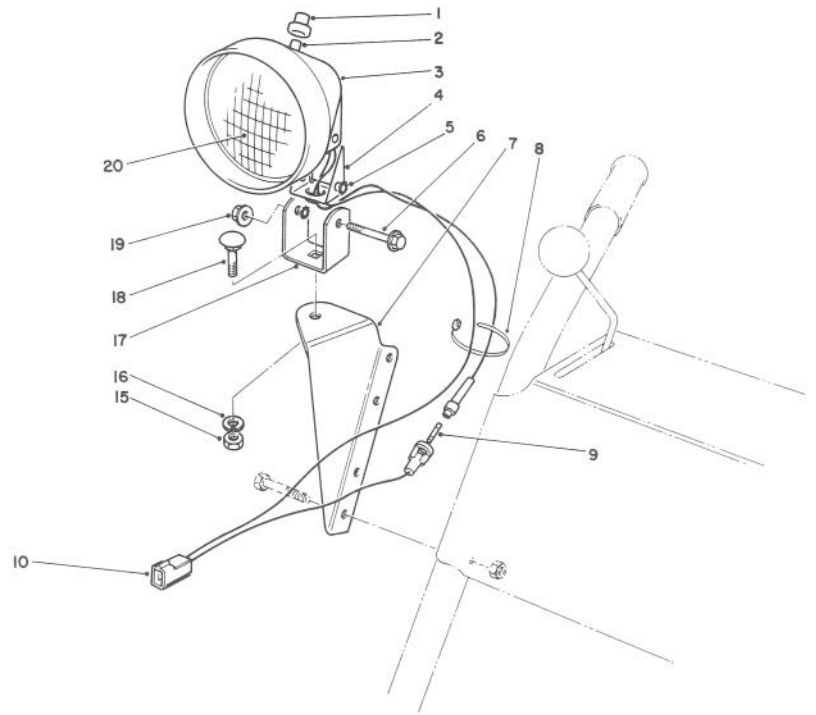
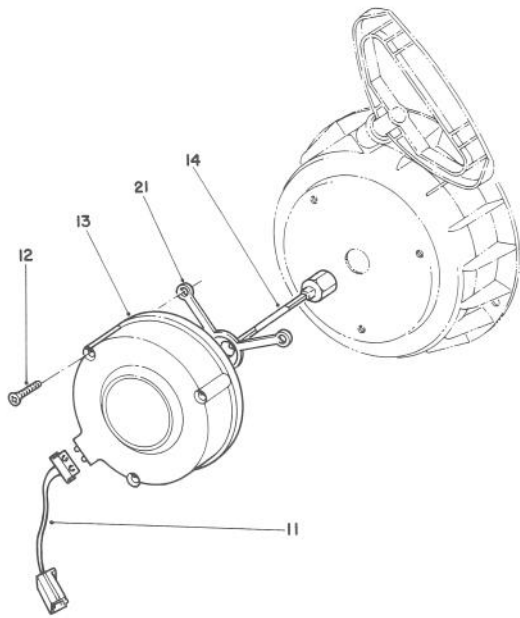
C-0039

## HANDLE ASSEMBLY

Ref. No.	Part No.	Description	No. Used
1	233-21	Knob	1
2	37-8820	Selector - Speed	1
3	3256-23	Washer	4
4	32151-73	Ring - Clip	2
5	66-6830	Decal - Escutcheon Back	1
6	40-5940	Switch - On/Off	1
7	63-8360	Key - Ignition	1
8	52-5600	Pin - Control Lever	2
9	47-4990	Post - Linkage Mounting	2
10	3256-24	Washer	2
11	52-5590	Link - Upper	2
12	63-3640	Handle - Control	2
13	3234-13	Screw - Hex. Flange Hd.	2
14	74-1360	Grip - Handle	2
15	52-5570	Handle - Left	1
16	321-9	Screw - Hex. Hd	4
17	3296-42	Nut - Lock	4
18	3290-320	Nut - Push	2
19	66-6540	Grip - Rod	1
20	63-3510	Decal - Chute Direction	1
21	12-7739	Bracket - Chute Control	1
22	256-249	Nyliner	1
23	322-7	Screw - Hex. Hd.	2
24	40-8270	Rod - Chute Control	1
25	322-2	Screw - Hex. Hd. Cap	4

Ref. No.	Part No.	Description	No. Used
26	3290-456	Washer - Belleville	4
27	3290-196	Retainer - Nut	4
28	3230-2	Bolt - Carriage	1
29	3290-238	Washer - Pyramidal	1
30	3296-29	Nut - Lock	2
31	40-8280	Bracket - Chute Worm	1
32	40-8250	Gear - Worm	1
33	3272-4	Pin - Cotter	3
34	283-3	Pin - Clevis	1
35	39-3080	Clevis	1
36	32115-5	Retainer - Nut	1
37	39-7570	Rod - Speed Selector	1
38	17-9120	Mount - Wire	3
39	32128-33	Nut - Flange Lock	2
40	43-7390	Wire Harness Assembly	1
41	39-1280	Mount - Speed Selector	1
42	3218-1	Nut - Jam	1
43	52-5560	Handle - Right	1
44	43-7360	Panel - Escutcheon	1
45	66-6560	Decal - 521	1
46	3229-22	Bolt - Carriage	2
47	40-8130	Spacer - Speed Selector	1
48	37-9150	Spring	1
49	32128-13	Nut - Flange Lock	1
*	3290-378	Cable Tie	2

\*Not Illustrated



C-0037

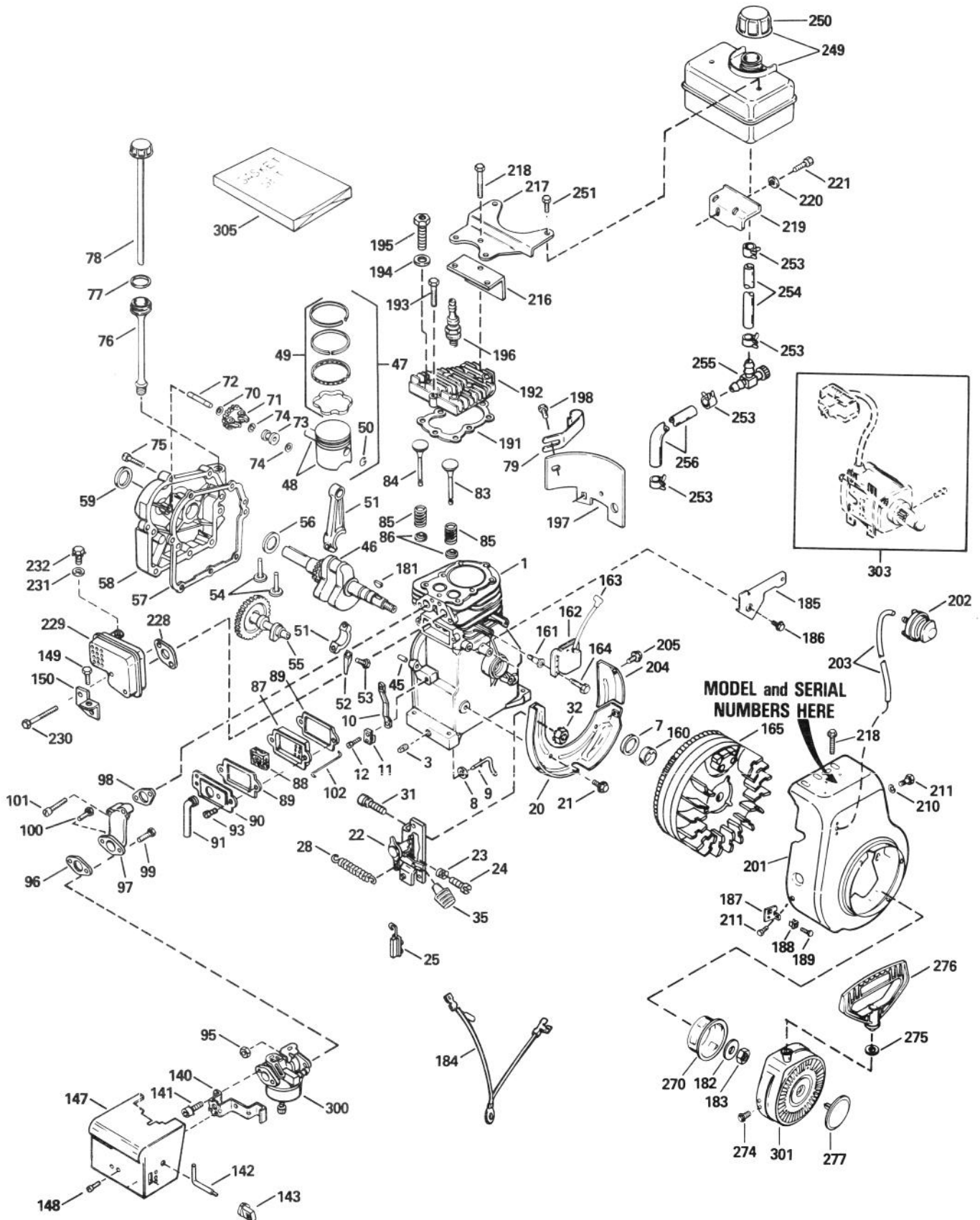
## LIGHT KIT NO. 54-9822 (Optional)

Ref. No.	Part No.	Description	No. Used
1	218-473	Boot - Switch	1
2	218-553	Switch Assembly	1
3	218-552	Bucket - Headlamp	1
4	218-554	Bracket	1
5	3255-8	Washer - Lock	2
6	322-13	Screw - Hex. Flange Hd.	1
7	54-9830	Mount - Lamp	1
8	3290-378	Tie Wrap	2
9†		Fuse - 7-1/2 Amp.	1
10	218-555	Wire Assembly	1
11	2210-272	Connector - Light	1
12	2210-300	Screw - Self Tapping	3

Ref. No.	Part No.	Description	No. Used
13	2210-274	Alternator	1
14	2210-268	Shaft - Alternator 3"	1
15	3217-7	Nut - Hex	1
16	3253-21	Washer - Lock	1
17	218-556	Bracket - U	1
18	3231-2	Bolt - Carriage	1
19	32128-35	Nut - Flange Lock	1
20	218-16	Lens - Sealed Beam	1
21	2210-299	Spacer	1
*	54-9871	Headlamp Assembly (Incl. Ref. #1-6, 9-10 & 15-21)	1

\* Not Illustrated  
† Obtain Locally

# ENGINE TECUMSEH MODEL HS50-67259K





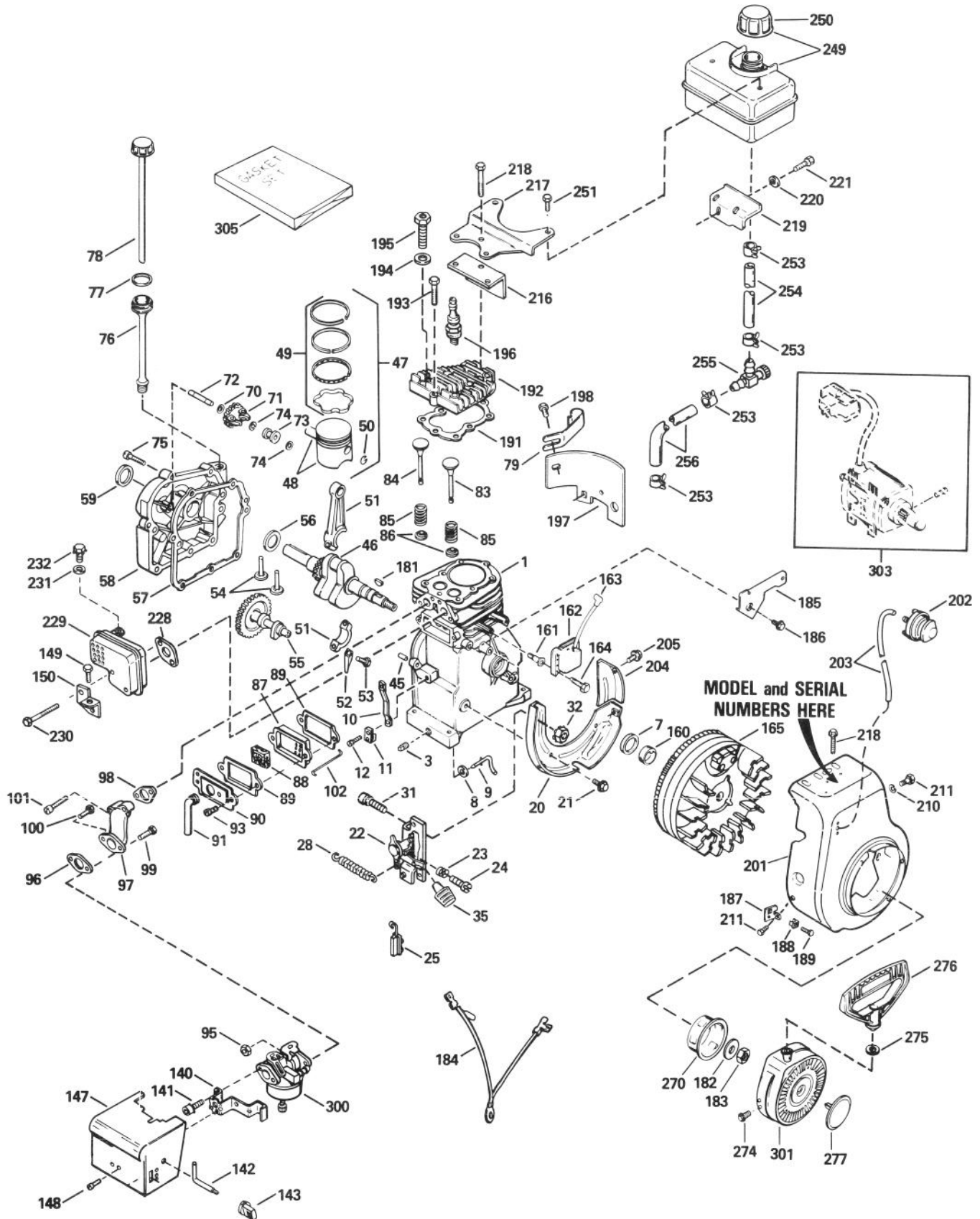
# ENGINE TECUMSEH MODEL HS50-67259K

Ref. No.	Part No.	Description	No. Used	Ref. No.	Part No.	Description	No. Used
1	33674B	Cylinder Assembly (Incl. Ref. #3, 7 & 45)	1	70	30590A	Washer - Flat	1
3	27642	Plug - Pipe	1	71	30591	Gear - Governor (Incl. Ref. #70)	1
7	32600	Seal - Oil	1	72	30574	Shaft - Governor	1
8	28277	Washer - Flat	1	73	30588A	Spool - Governor	1
9	31334	Rod - Governor	1	74	29193	Ring - Retaining	1
10	31510	Lever - Governor	1	75	650488	Screw - Hex Hd.	1
11	31335	Clamp - Governor Lever	1	76	35554	Tube Assy. - Oil Fill	1
12	650548	Screw - Hex Washer Hd.	1	77	35499	"O" Ring	1
20	33342†	Baffle - Blower Housing	1	78	35556	Dipstick	1
21	650561	Screw - Hex Washer Hd.	1	79	35539	Clip - Oil Fill	1
22	33858A†	Control Assembly (Incl. Ref.# 23-25, 31 & 32)	1	83	29313C	Valve - Exhaust Std. (Incl. Ref. #86)	1
23	31342	Spring - Compression	1	83	29315C	Valve - Exhaust 1/32" oversize (Incl. Ref. #86)	1
24	650549	Screw - Fil. Hd.	1	84	32644A	Valve - Intake Std. (Incl. Ref. #86)	1
25	610973	Terminal Assembly	1	84	32645A	Valve - Intake 1/32" oversize (Incl. Ref. #86)	1
28	31426	Spring - Extension	1	85	31672	Spring - Valve	1
31	650139†	Screw - Fil Hd.	1	86	31673	Cap - Valve Spring	1
32	30322†	Nut - Lock	1	87	27666	Body - Valve Cover	1
35	35440	Knob - Speed Control	1	88	31410	Element - Valve Body	1
45	26727	Pin - Dowel	1	89	*27234A	Gasket - Valve Cover	1
46	34740	Crankshaft Assembly	1	90	34146	Cover - Breather	1
47	34535	Piston - Pin & Assy. Std. (Incl. Ref. #48 - 50)	1	91	35350	Tube - Breather	1
47	34536	Piston - Pin & Ring Assy .010 oversize (Incl. Ref. #48 - 50)	1	93	650128	Screw - Hex Hd.	1
47	34537	Piston - Pin & Ring Assy .020 oversize (Incl. Ref. #48 - 50)	1	95	29752	Nut & Lockwasher	1
48	33562B	Piston & Pin Assy. Std. (Incl. Ref. #50)	1	96	*26756	Gasket - Carburetor	1
48	33563B	Piston & Pin Assembly .010 oversize (Incl. Ref. #50)	1	97	33691	Pipe - Intake	1
48	33564B	Piston & Pin Assembly .020 oversize (Incl. Ref. #50)	1	98	*33673A	Gasket - Intake	1
49	33567	Ring Set - Piston Std.	1	99	6201	Screw - Hex Hd.	1
49	33568	Ring Set - Piston .010 oversize	1	100	650870	Screw - Hex Hd.	1
49	33569	Ring Set - Piston .020 oversize	1	101	650664	Screw - Fil Hd.	1
50	20381	Ring - Piston Pin Retaining	1	102	32698	Link - Governor to Throttle	1
51	32875	Connecting Rod Assembly (Incl. Ref, #52 & 53)	1	140	34583	Bracket - Choke	1
52	32654	Dipper - Oil	1	141	28820	Screw - Fil. Hd.	1
53	32610A	Bolt - Connecting Rod	1	142	34582	Rod - Choke	1
54	27241	Lifter - Valve	1	143	35438	Knob - Choke Control	1
55	33158	Camshaft	1	147	35072	Cover - Carburetor	1
56	32323	Washer - Thrust	1	148	650257	Screw - Pan Hd.	1
57	*27677A	Gasket - Cylinder Cover	1	149	650735	Screw - Hex Hd,	1
58	34674A	Cover - Cylinder (incl. Ref. #59 & 72)	1	150	33333	Bracket - Carburetor Cover	1
59	27897	Seal - Oil	1	160	34080	Spacer - Flywheel Key	1
				161	650872	Stud	1
				162	34443A	Solid State Assembly	1
				163	610118	Cover - Spark Plug	1
				164	650814	Screw - Torx	1
				165	611081	Flywheel - w/Ring Gear	1
				181	610961	Key- Flywheel	1
				182	650815	Washer - Belleville	1
				183	650863	Nut - Flywheel	1
				184	35557	Wire - Ground	1
				185	34212	Bracket - Hold Down	1
				186	30200	Screw - Hex Washers Hd.	1

\* indicated Parts included in Gasket Set Ref.#305

† In original production the speed control assembly is riveted to the blower housing baffle.  
Replacement Speed Control Assembly Includes screw and nuts. Baffle has threaded holes

# ENGINE TECUMSEH MODEL HS50-67259K



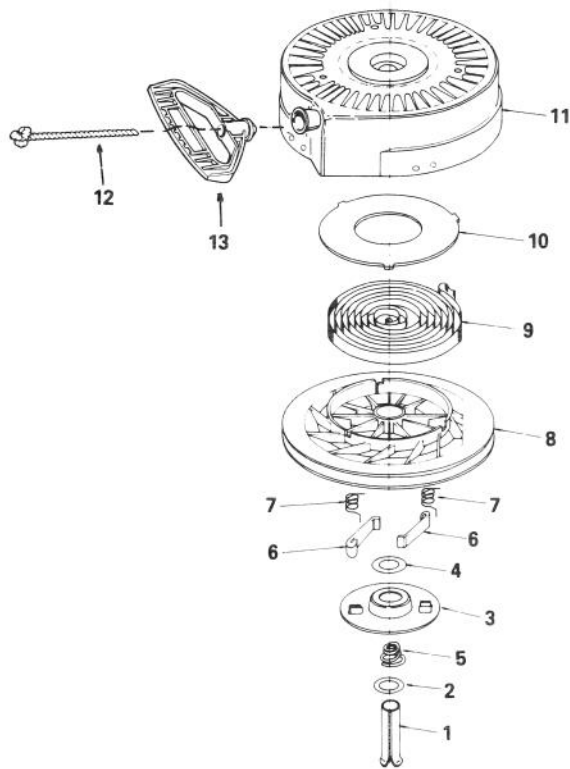
# ENGINE TECUMSEH MODEL HS50-67259K (Continued)

Ref. No.	Part No.	Description	No. Used
187	34126	Bracket	1
188	28545	Grommet - Plastic	1
189	650760	Screw - Pan Hd.	1
191	*33554A	Gasket - Cylinder Head	1
192	33016A	Head - Cylinder (Incl. Ref. #218)	1
193	6021A	Screw - Hex Flange Hd.	1
194	650691	Washer - Flat	1
195	650818	Screw - Special	1
196	35395	Plug - Spark (Champion RJ-19LM or equivalent)	1
197	29745	Extension - Blower	1
198	650128	Screw - Hex Hd.	1
201	35656	Housing - Blower	1
202	570682	Primer Assembly	1
203	32180C	Line - Primer	1
204	33341	Extension - Baffle	1
205	650884	Screw - Hex Washer Hd.	1
211	29212	Screw - Hex Hd.	1
216	33344	Baffle - Heat	1
217	28371B	Plate - Fuel Tank	1
218	650694A	Screw - Hex Flange Hd.	1
219	34182	Bracket - Fuel Tank	1
220	650675	Washer - Flat	1

Ref. No.	Part No.	Description	No. Used
221	650805	Screw Assembly	1
228	*33670A	Gasket - Exhaust	1
229	35771	Muffler (Incl. Ref.# 228)	1
230	650327	Screw - Fil. Hd.	1
231	8345	Washer - Flat	1
232	30063	Screw - Hex Washer Hd.	1
249	35584	Tank Assembly - Fuel (incl. Ref. #250 & 253)	1
250	35355	Cap - Fuel Tank	1
251	650665	Screw - Hex Washer Hd.	1
253	26460	Clamp - Fuel Line	4
254	29774	Line - Fuel	1
255	35857	Valve - Shut-Off	1
256	30705	Line - Fuel	1
270	34694	Cup - Starter	1
274	650884	Screw - Hex Washer Hd.	1
275	650168	Washer - Flat	1
276	590574	Handle - Starter	1
277	35392	Plug - Starter	1
300	632107A	Carburetor (Incl. Ref. #96)	1
301	590646	Starter - Rewind	1
303	33290C	Electric Starter Kit(Optional)	1
305	33683B	Gasket Set	1

\* indicated Parts included in Gasket Set Ref.#305

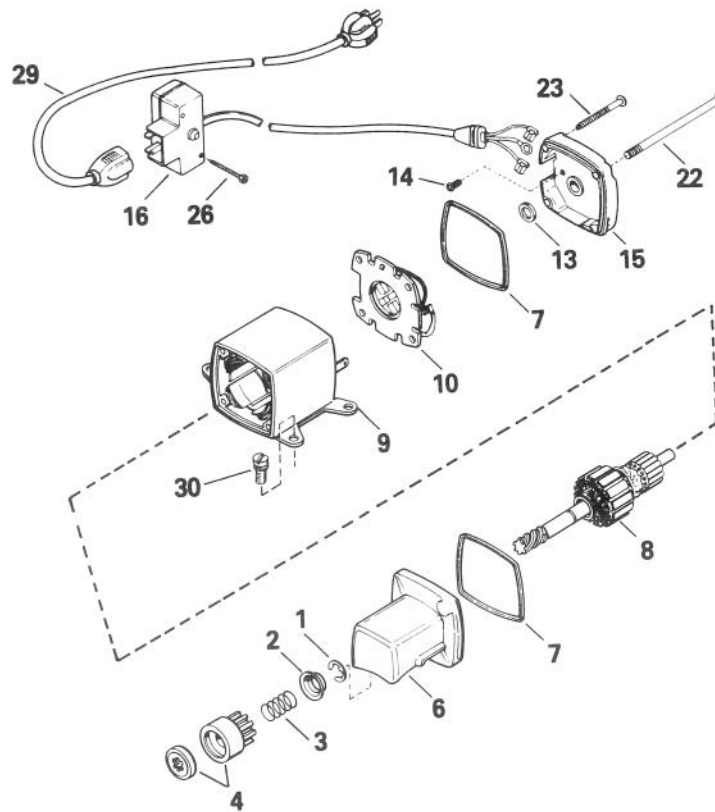
† In original production the speed control assembly is riveted to the blower housing baffle.  
Replacement Speed Control Assembly includes screw and nuts. Baffle has threaded holes



## REWIND STARTER NO. 590646

Ref. No.	Part No.	Description	No. Used
1	590599A	Pin - Spring (Incl. Ref. #4)	1
2	590600	Washer	1
3	590615	Retainer	1
4	590601	Washer	1
5	590598	Spring - Brake	1
6	590616	Dog - Starter	1
7	590617	Spring - Dog	1
8	590645	Pulley	1

Ref. No.	Part No.	Description	No. Used
9	590619	Spring - Rewind	1
10	590620	Cover - Spring	1
11	590647	Housing Assembly	1
12	59035	Rope - 9/64" dia. 98"Lg.	1
13	590574	Handle - Mitten Grip (Not included with Starter)	1
*	590646	Starter - Rewind	1

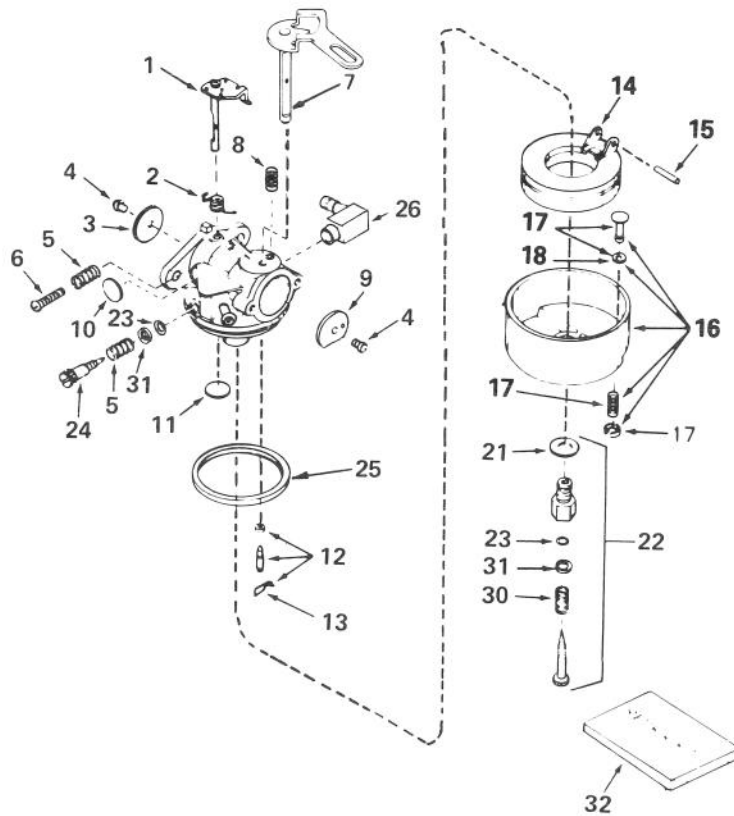


## ELECTRIC STARTER MOTOR KIT NO. 23-3790

Ref. No.	Part No.	Description	No. Used
1	31749	Ring - Retainer	1
2	33522	Retainer - Spring	1
3	33769	Spring - Anti / Drift	1
4	33524	Nut & Gear	1
6	35461	Cap Assembly (Incl. Ref. #7)	1
7	35450	"O" Ring	1
8	35460	Armature	1
9	35459	Housing Assembly	1
10	35452	Card Assembly	1
13	590500	Washer - Thrust	1

Ref. No.	Part No.	Description	No. Used
14	33441	Screw - Ground	1
15	35453	Cap Assembly (Incl. Ref. #7)	1
16	35454	Box Assembly - Switch (Incl. Ref. #26)	1
22	35462	Bolt - Case	1
23	35456	Screw - Grounding	1
26	650819	Screw - Hex. Hd.	1
29	32450A	Cord - Extension	1
30	650759	Screw - Hex. Hd.	1
*	33290C	Motor - Electric Starter	1

Note: Order individual parts from your local Tecumseh dealer.

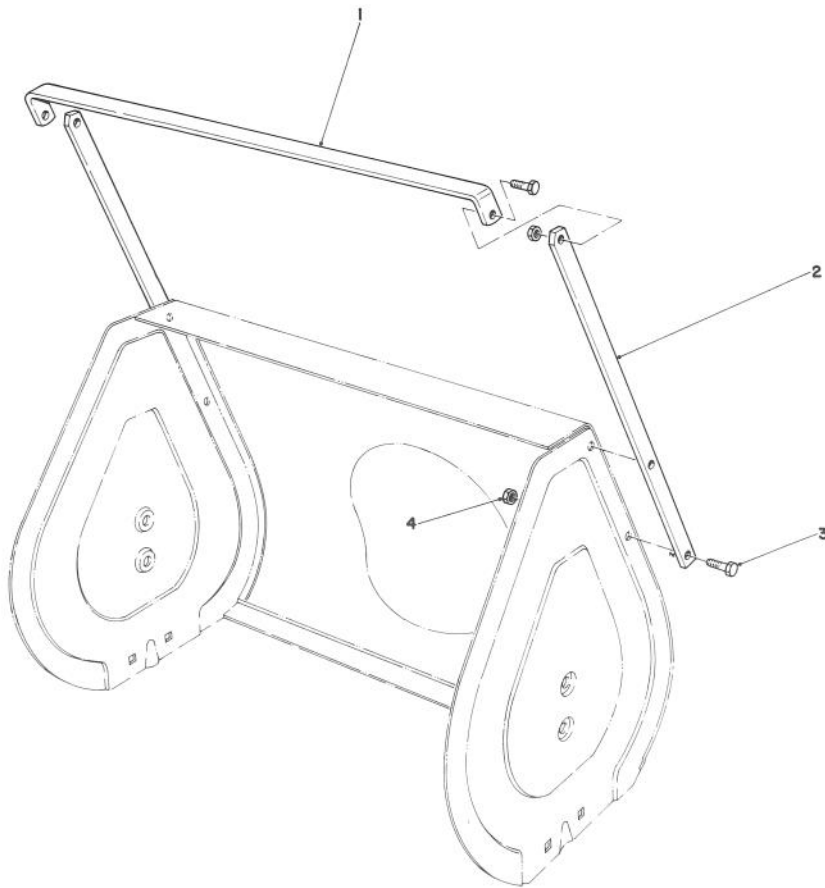


## CARBURETOR NO. 632107A

Ref. No.	Part No.	Description	No. Used
1	631615	Shaft & Lever Assembly	1
2	631767	Spring - Throttle Return	1
3	631036	Shutter - Throttle	1
4	650506	Screw	1
5	630766	Spring - Idle Screw	1
6	650417	Screw - Idle	1
7	632108	Shaft & Lever Assy. (Choke)	1
8	630735	Spring - Choke Stop	1
9	631815	Shutter - Choke	1
10	630748†	Plug - Welch	1
11	631027†	Plug - Welch	1
12	631021†	Inlet Needle - Seat & Clip (Incl. Ref. #13)	1
13	631022	Clip - Inlet Needle	1
14	632019	Float - Carburetor	1
15	631024†	Shaft - Float	1
16	631951	Bowl - Assembly (Incl. Ref. #17-18)	1

Ref. No.	Part No.	Description	No. Used
17	27136A	Drain Assembly - Bowl (Incl. Ref. #18)	1
18	27554†	Gasket - Bow Drain	1
21	27110	Gasket - Bowl-to Body	1
22	31839†	Screw Adjustment Assembly (Incl. Ref. #21, 23, 30 & 31)	1
23	630740†	"O" Ring	1
24	631838†	Screw - Idle	1
25	631028†	Gasket - Bowl-to-Body	1
26	631807	Fitting - Fuel Inlet	1
30	630738	Spring	1
31	630739	Washer - Flat	1
32	31840	Repair Kit (Incl. Items Marked †)	1
*	632107A	Carburetor (Incl. Ref. #1-32)	1

\* Not Illustrated



C-0035

### DRIFT BREAKER KIT NO. 37-7020 (Optional)

Ref. No.	Part No.	Description	No. Used
1	38-0760	Drift Breaker - Top	1
2	38-0750	Drift Breaker - Slide	2

Ref. No.	Part No.	Description	No. Used
3	322-4	Capscrew	6
4	3296-29	Locknut	6

## PRODUCT CHANGES

In an effort to make improvements available to TORO owners as quickly as possible, minor changes are incorporated into Toro's products from time to time that do not become immediately shown in the Parts Catalog. If such a change has been made in your unit, which is not reflected in your manual, see your TORO Distributor or his Authorized TORO Service Dealer for information and part numbers.

## IDENTIFICATION AND ORDERING

### MODEL AND SERIAL NUMBERS

The Snowthrower has two identification numbers; a model number and a serial number. The two numbers are stamped on a decal which is located on the rear of the engine frame. In any correspondence concerning the lawnmower, supply model and serial numbers to assure that correct information and replacement parts are obtained.

To order replacement parts from an Authorized TORO Service Dealer, supply the following information:

1. Model and serial number of the Snowthrower.
2. Part number, description, and the quantity of part(s) desired.

**NOTE:** Do not order by reference number if a parts catalog is being used; use the PART NUMBER.

## COUNTRIES OTHER THAN THE UNITED STATES OR CANADA

Customers who have purchased TORO products exported from the United States or Canada should contact their Toro Distributor (Dealer) to obtain guarantee policies for your country, province or state. If for any

reason you are dissatisfied with your Distributor's service or have difficulty obtaining guarantee information, contact the TORO importer. If all other remedies fail, you may contact us at The Toro Company.

## MAINTENANCE RECORD

Date							