



## 206cc OHV Vacuum Blower

Model No. 62925 - 270000001 and up.

### Parts Catalog

---

#### Ordering Replacement Parts

To order replacement parts, please supply the part number, the quantity, and the description of each part desired.

#### Understanding Reference Numbers

Each identified part in an illustration has a reference number. The reference number for a part also appears in the parts list, along with other information about the part.

This catalog uses two special reference number formats, one to indicate parts in a service assembly and another to indicate the quantity of a given part in an illustration.

#### Service Assembly Reference Numbers

Parts in service assemblies have reference numbers in the form a:b. The a represents the reference number of the entire service assembly and the b represents a sequential number unique to each part within the service assembly.

For example, a wheel assembly might be identified by reference number 6, the tire by 6:1, the valve by 6:2, and the wheel by 6:3. When you order the assembly identified by reference number 6, you receive all parts identified by reference numbers 6:1, 6:2, and 6:3. However, you may also order any part individually. Reference numbers of this type appear in illustrations and in part lists.

#### Reference Numbers Indicating Quantity

In an illustration, if a reference number indicates more than one part, the reference number has the form nX y. The n represents the quantity of the part, the X is the multiplication symbol, and the y represents the reference number.

For example, in an illustration, the reference number 2X 37 means that two of the parts identified by reference number 37 are indicated.

# Contents

Description	Page	Description	Page
Blower, Fan and Snout Assembly	..... 3	Carburetor Assembly Briggs and Stratton 126302-0210-B1	..... 13
Blower Assembly	..... 4	Air Cleaner Assembly Briggs and Stratton 126302-0210-B1	..... 14
Engine and Front Wheel Assembly	..... 5	Muffler and Fuel Tank Assembly Briggs and Stratton 126302-0210-B1	..... 15
Traction and Wheel Assembly	..... 6	Governor Assembly Briggs and Stratton 126302-0210-B1	..... 16
Handle and Vacuum Bag Assembly	..... 7	Blower Housing Assembly Briggs and Stratton 126302-0210-B1	..... 17
Traction Assembly	..... 8	Starter Assembly Briggs and Stratton 126302- 0210-B1	..... 18
Cylinder Assembly Briggs and Stratton 126302-0210-B1	..... 9	Gasket Kit Briggs and Stratton 126302-0210- B1	..... 19
Crankshaft Assembly Briggs and Stratton 126302-0210-B1	..... 10	Carburetor Overhaul Kit Briggs and Stratton 126302-0210-B1	..... 20
Cylinder Head Assembly Briggs and Stratton 126302-0210-B1	..... 11		
Crankcase Assembly Briggs and Stratton 126302-0210-B1	..... 12		

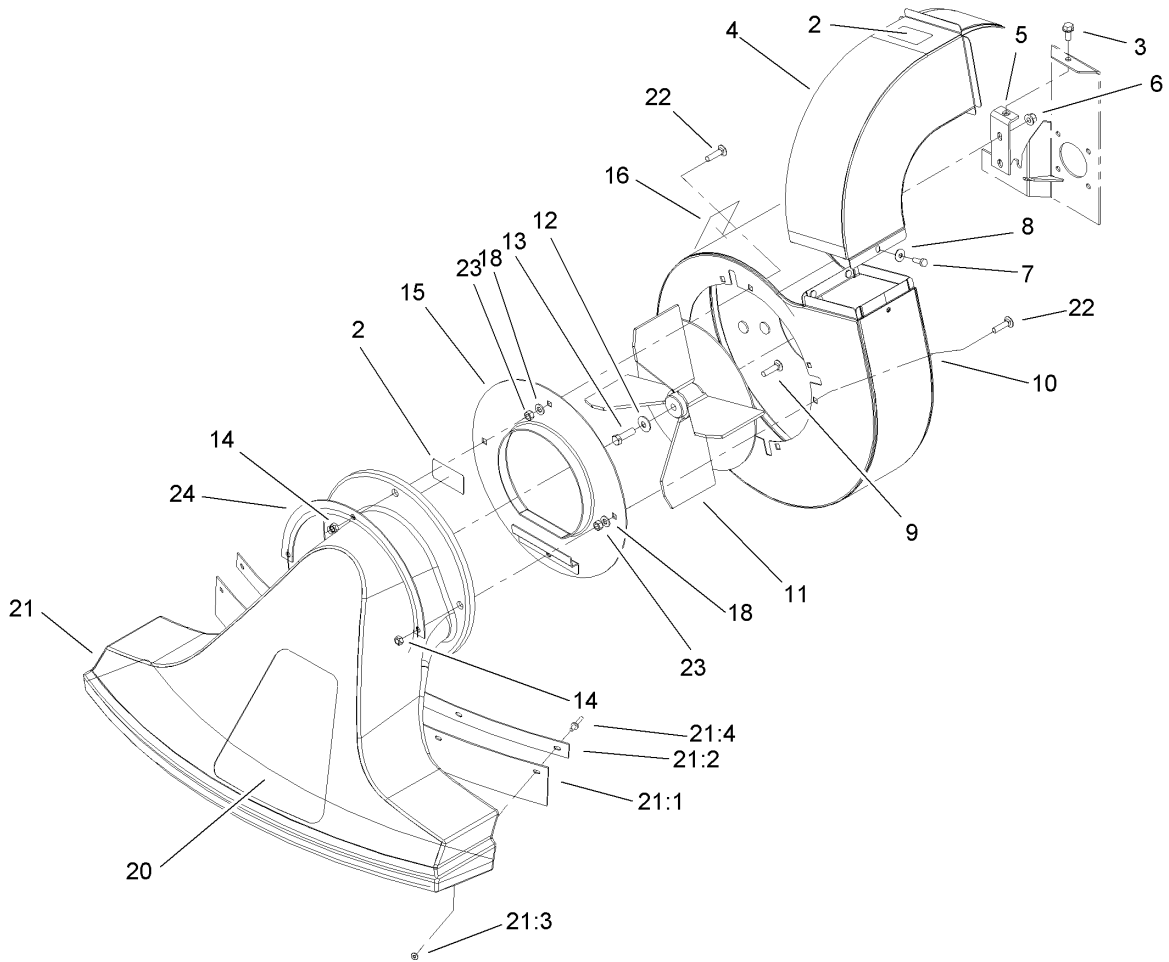
## Part Description Abbreviations

Part descriptions in this catalog may include the following abbreviations.

AR. .... as required	HYD. .... hydraulic
ASM. .... assembly	LH. .... left hand
BBC. .... blade brake clutch	NI. .... nylon insert
CARR. .... carriage	NPTF. .... national pipe thread fine
DEG. .... degrees	PFH. .... phillips flat head
EXT. .... external	PPH. .... phillips pan head
FH. .... flat head	PPHTF. .... phillips pan head thread forming
GA. .... gauge	PRH. .... phillips round head
HD. .... heavy-duty	PTH. .... phillips truss head
HF. .... hex flange	PTO. .... power-take-off
HH. .... hex head	RH. .... right hand
HHF. .... hex head flange	ROPS. .... roll-over protection system
HHFTF. .... hex head flange thread forming	SFH. .... slotted fillister head
HJ. .... hex jam	SHH. .... slotted hex head
HLH. .... hex lag head	SHWH. .... slotted hex washer head
HOC. .... height-of-cut	SPH. .... slotted pan head
HSBH. .... hex socket button head	SQH. .... square head
HSFH. .... hex socket flat head	SRH. .... slotted round head
HSH. .... hex socket head	STD. .... standard
HWH. .... hex washer head	TAP. .... self tapping
HWHTF. .... hex washer head thread forming	TTH. .... torx truss head

## Footnotes

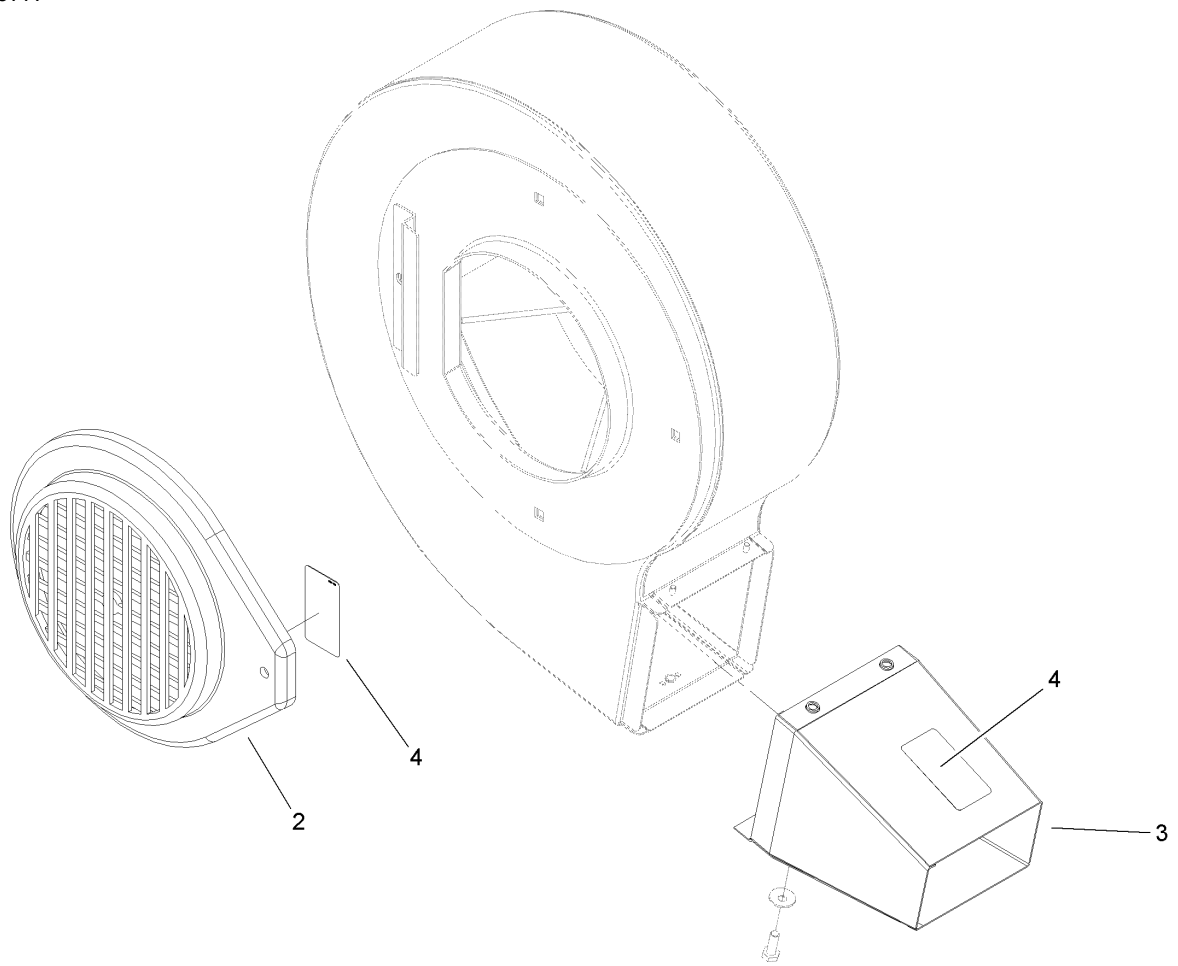
- |  |   |
|--|---|
| ❶ Not serviced separately                            | ❷ Obtain from your local Briggs & Stratton dealer |
| ❸ Included in Carburetor Overhaul Kit (Ref. No. 121) | ❹ Included in Engine Gasket Set (Ref. No. 358)    |
| ❺ Included in Carburetor Gasket Set (Ref. No. 977)   | ❻ Included in Valve Gasket Set (Ref. No. 1095)    |



## Blower, Fan and Snout Assembly

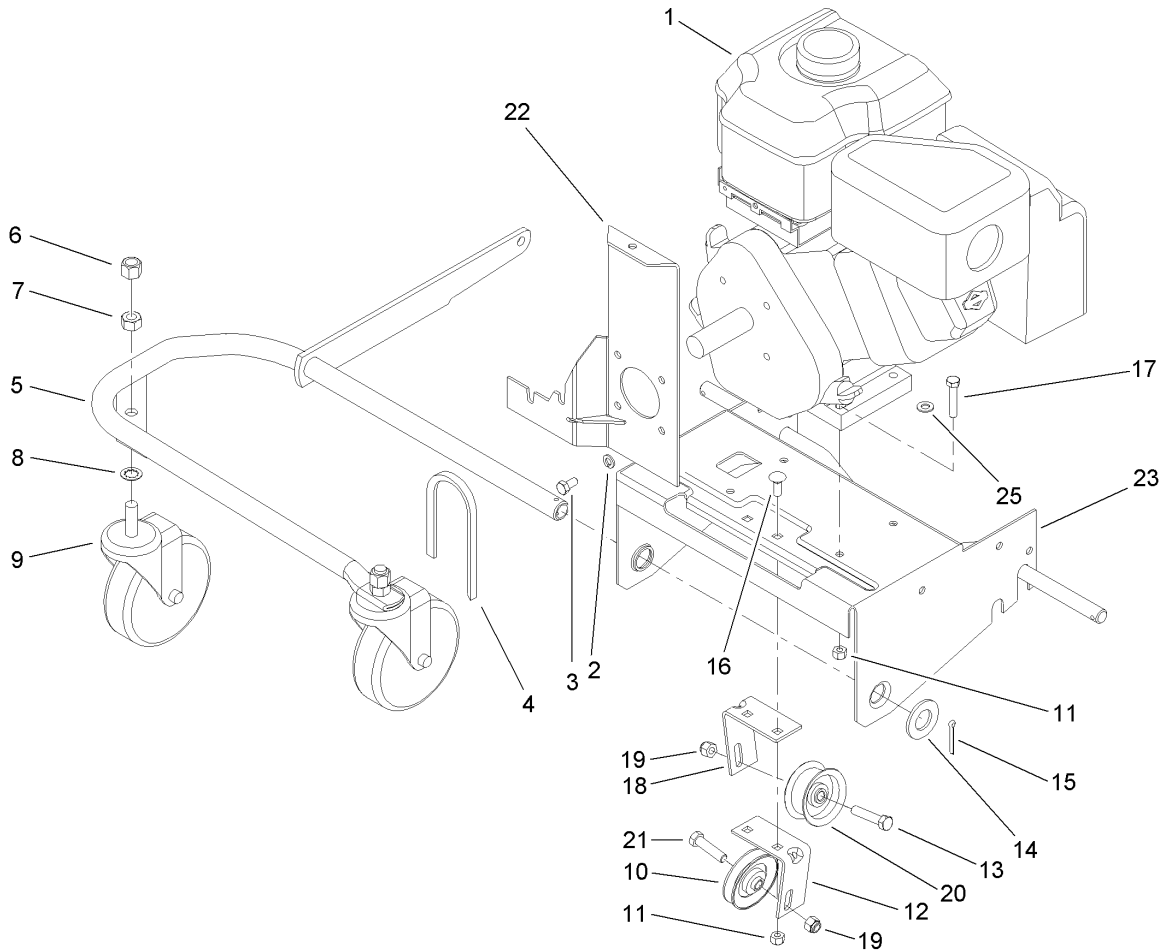
Ref	Part No.	Qty.	Description
2	93-4139	2	Decal-Caution, Bag
3	32144-70	1	Screw-HWHTF
4	110-8605-01	1	Vacuum Chute ASM
5	105-1233-03	1	Bracket-Mounting, Housing
6	3296-58	4	Nut-Lock, NI
7	321-2	1	Screw-HH
8	3290-436	1	Washer-Belleville
9	3230-19	1	Screw-CARR
10	110-8606-01	1	Blower/Vac Housing ASM
11	93-3677-03	1	Fan ASM
12	3290-340	1	Washer-Belleville
13	3211-5	1	Screw-HH
14	3296-47	4	Nut-Lock, NI
15	20-5450-01	1	Cover-Blower
16	105-4062	1	Decal-Warning, Rotate
18	3256-23	3	Washer-Flat
20	107-8919	1	Decal
21	40-7000	1	Snout ASM
21:1	20-6830	1	Flap-Rubber
21:2	20-6840-03	1	Clamp-Flap
21:3	3256-51	5	Washer-Flat
21:4	3269-22	5	Rivet-Pop
22	3230-3	3	Screw-CARR
23	3217-6	3	Nut-Hex

Ref	Part No.	Qty.	Description
24	105-8543-03	1	Flange-Retainer



## Blower Assembly

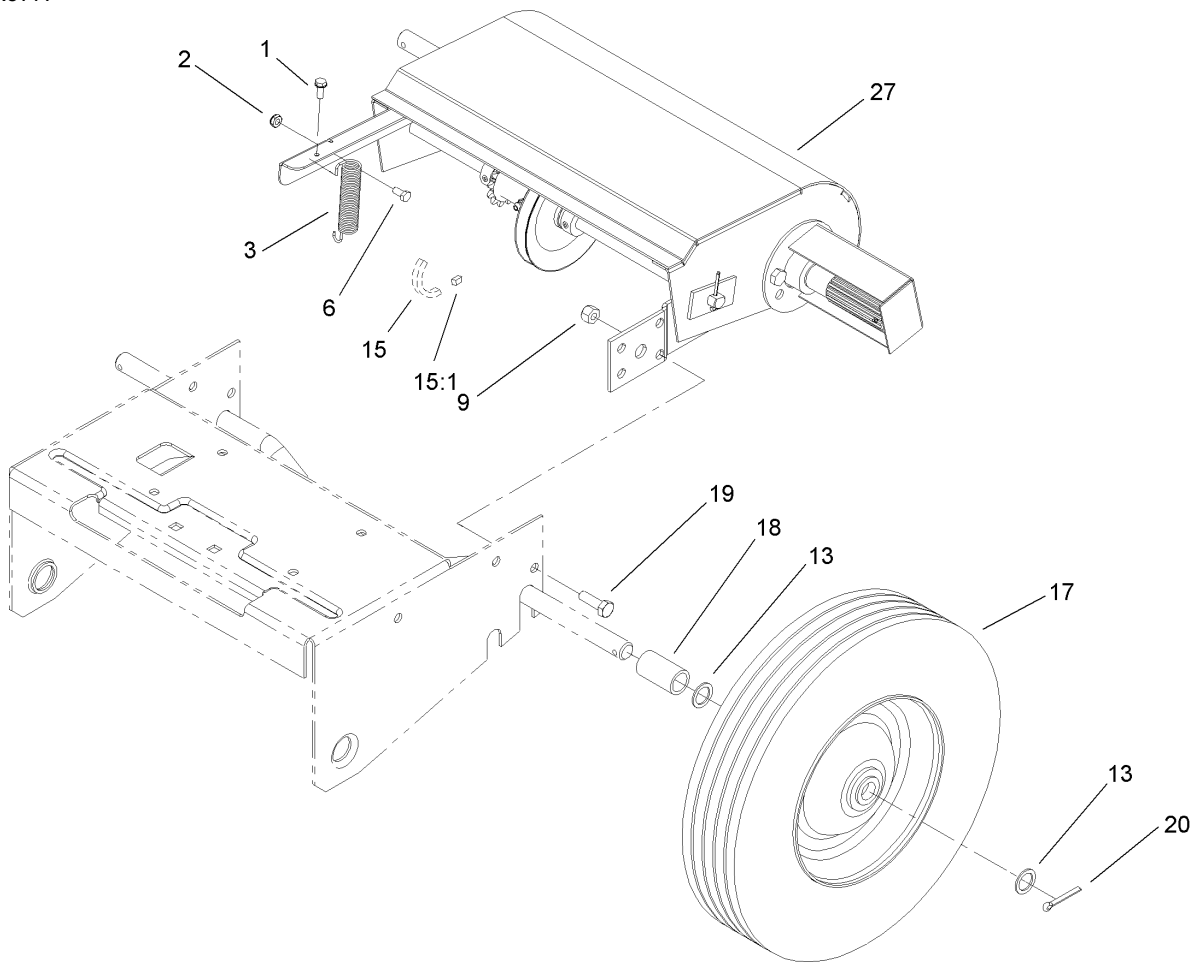
Ref	Part No.	Qty.	Description			
2	20-5780	1	Intake-Blower			
3	110-9080-01	1	Blower Exhaust ASM			
4	93-4139	2	Decal-Caution, Bag			



## Engine and Front Wheel Assembly

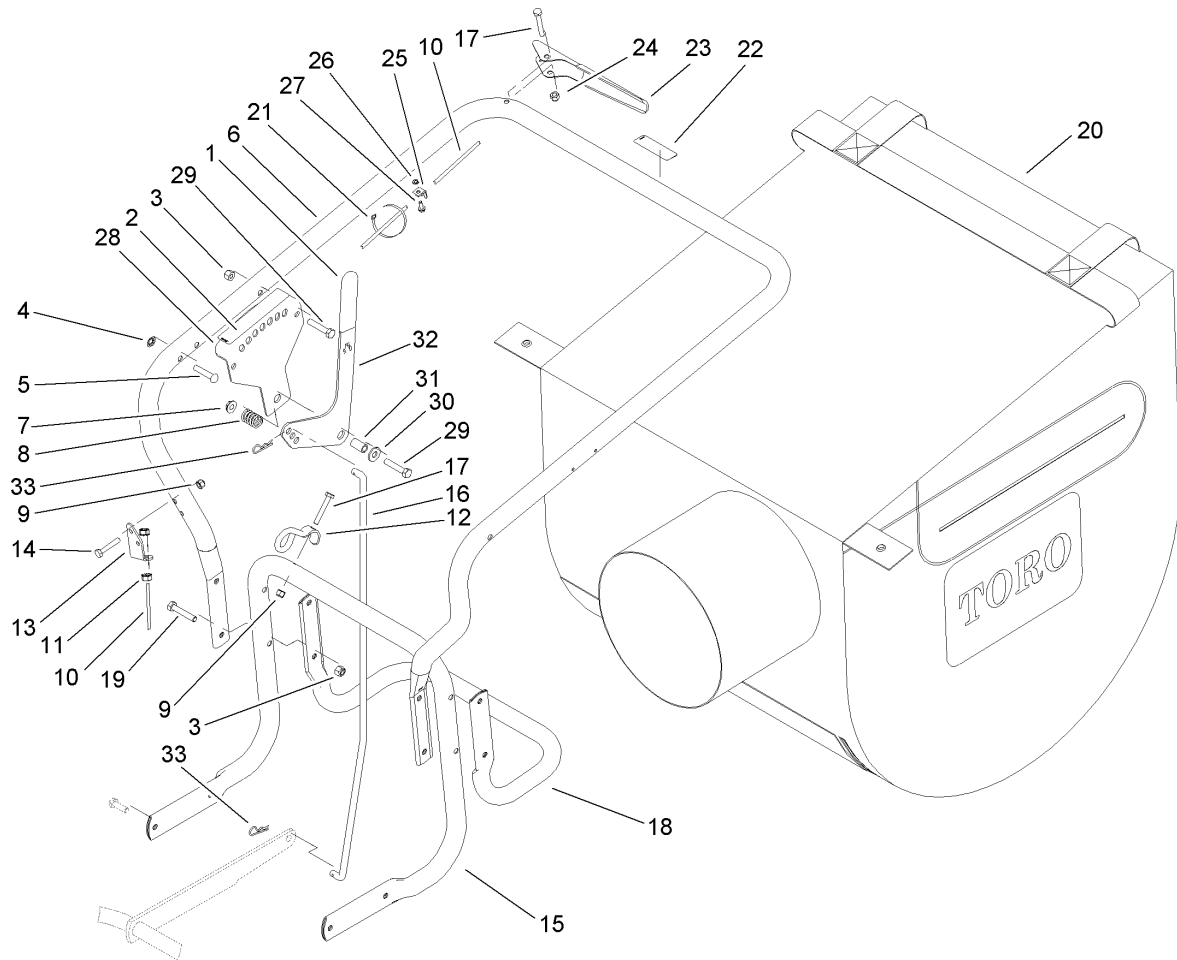
Ref	Part No.	Qty.	Description
1		1	Engine-Briggs And Stratton, 126302-0210-B1
2	3253-4	4	Washer-Lock
3	3210-2	4	Screw-HH
4	20-5990	1	Belt-V
5	93-4146-03	1	Front Wheel Support ASM
6	3296-23	2	Nut-Lock, NI
7	3217-9	2	Nut-HH
8	3254-4	2	Washer-Lock/Int
9	23-3320	2	Caster
10	12-5820	1	Pulley-Idler
11	3296-29	6	Nut-Lock, NI
12	20-8690-03	1	Bracket-Idler Mount, LH
13	323-9	1	Screw-HH
14	3256-29	1	Washer-Flat
15	3272-17	1	Pin-Cotter
16	3230-1	2	Bolt-CARR
17	322-8	4	Screw-HH
18	20-8680-03	1	Bracket-Idler Mount, RH
19	3296-39	2	Nut-Lock, NI
20	12-6700	1	Pulley-Idler
21	323-8	1	Screw-HH
22	105-1232-03	1	Stabalizer Bracket ASM
23	20-5560-03	1	Plate-Engine

Ref	Part No.	Qty.	Description
25	3256-23	1	Washer-Flat



### Traction and Wheel Assembly

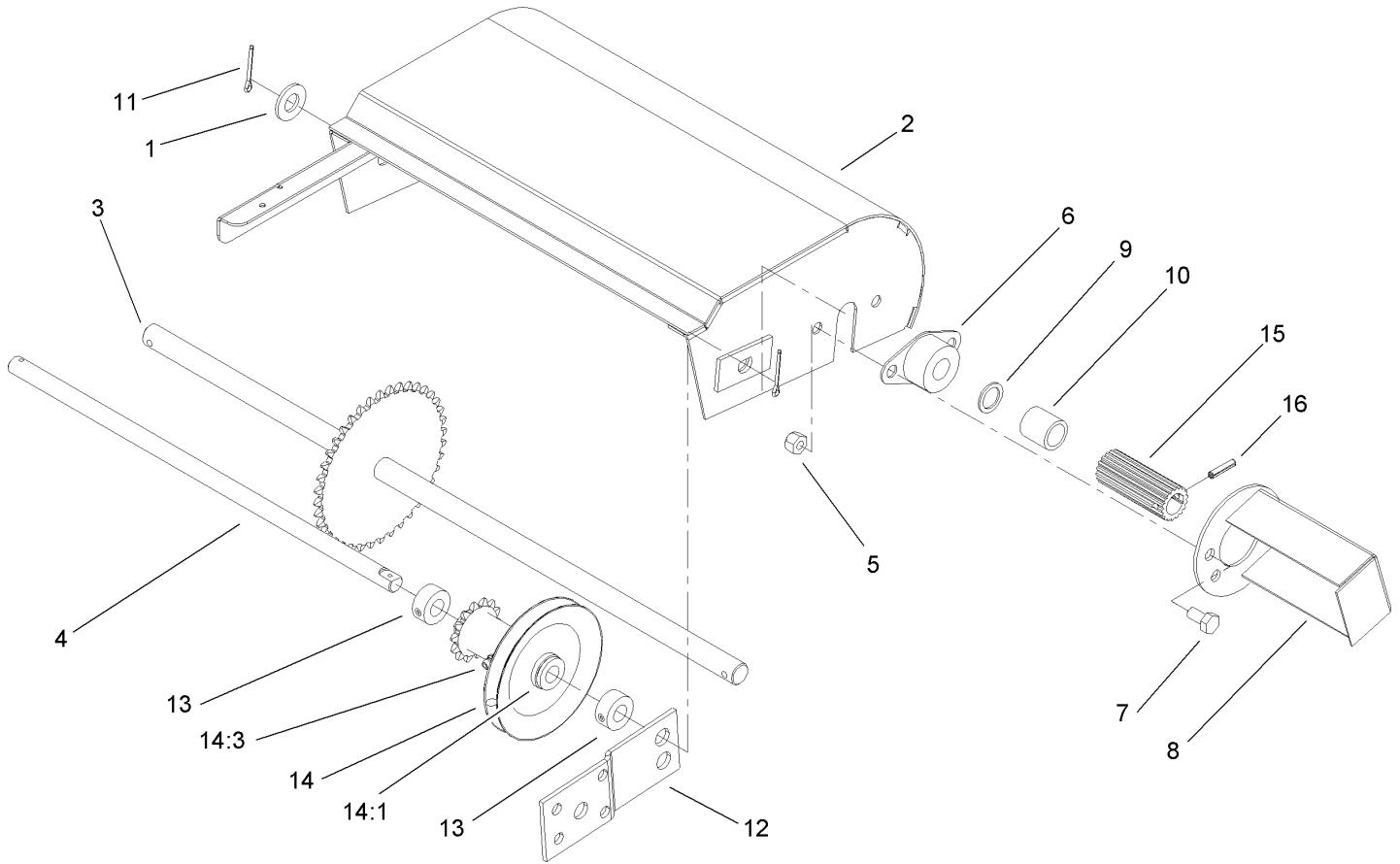
Ref	Part No.	Qty.	Description
1	32140-32	1	Screw-HH
2	3296-27	1	Nut-Lock, NI
3	23-3520	1	Spring-Traction
6	25-8640	1	Screw-HH
9	3296-29	6	Nut-Lock, NI
13	7-3590	7	Washer
15	3-3434	1	Chain-Roller, Reel Drive
15:1	2710-31	1	Link-Connecting, No. 35
17	20-6100	2	Wheel
18	20-5410	2	Spacer-Axle
19	322-5	6	Screw-HH
20	3272-17	2	Pin-Cotter
27		1	Traction ASM



## Handle and Vacuum Bag Assembly

Ref	Part No.	Qty.	Description
1	3-7877	1	Grip-Handle
2	93-4137	1	Decal-Adjustment, Height
3	3296-29	6	Nut-Lock, NI
4	3290-418	2	Nut-Push In
5	3263-9	2	Rivet
6	23-3570	1	Handle-Upper, Vacuum
7	32128-13	1	Nut-HF
8	20-6110	1	Spring-Compression
9	3296-42	3	Nut-Lock, NI
10	105-1234	1	Cable-Traction
11	32149-5	2	Nut-Keps
12	46-8082	1	Guide-Rope
13	33-2830	1	Mount-Bowden, Lower
14	321-9	2	Screw-HH
15	105-1236	1	Handle-Lower
16	105-1235	1	Rod-Adjust, Height
17	321-10	2	Screw-HH
18	66-1640-03	1	Support-Bag
19	322-9	4	Screw-HH
20	105-1245	1	Bag-Vacuum
21	3290-378	1	Tie-Cable
22	93-4141	1	Decal-Control, Traction
23	93-8464	1	Lever
24	32111-7	1	Nut-Cap

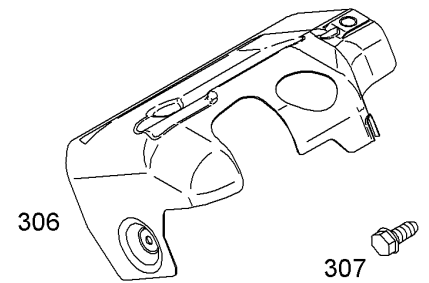
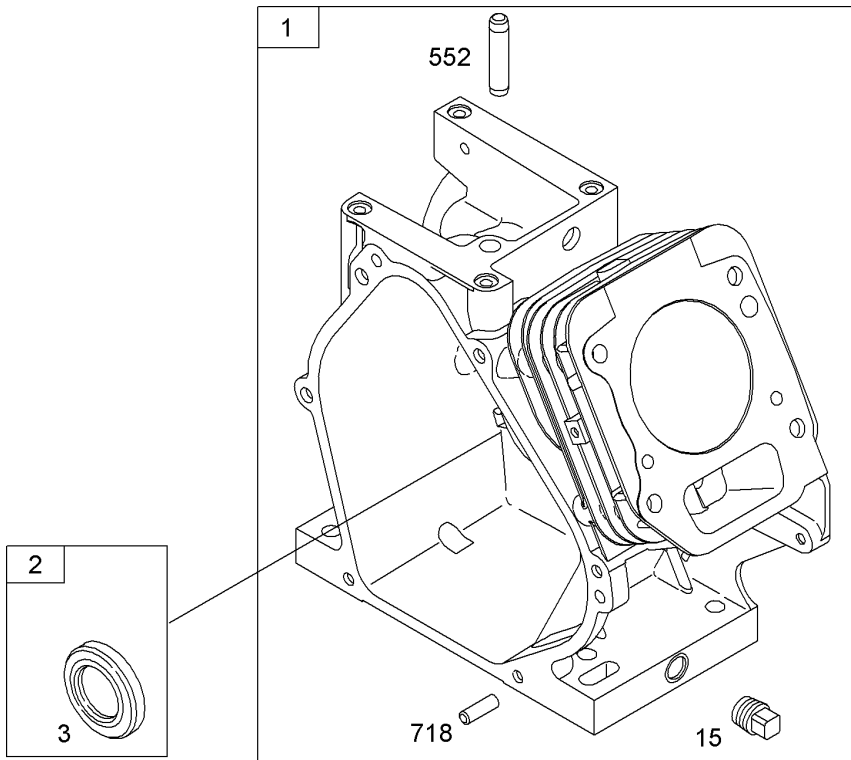
Ref	Part No.	Qty.	Description
25	20-8780	1	Retaining-Clip
26	3255-17	1	Washer-Lock, EXT
27	32144-112	1	Screw-HWH
28	20-5820-03	1	Bracket-Adjustment
29	322-8	3	Screw-HH
30	3256-3	1	Washer-Flat
31	20-5650	1	Spacer
32	23-3410-03	1	Handle-Adjust, Height
33	3290-250	2	Pin-Hair



## Traction Assembly

Ref	Part No.	Qty.	Description
1	3256-26	1	Washer-Flat
2	93-8461-03	1	Guard
3	20-7270	1	Shaft-Wheel, Friction
4	20-5870	1	Shaft-Idler
5	3296-29	4	Nut-Lock, NI
6	106-2780	2	Bearing-Flange
7	322-2	4	Screw-HH
8	37-9210-03	2	Guard
9	7-3590	2	Washer
10	20-5460	2	Spacer
11	3272-7	2	Pin-Cotter
12	43-6830-03	2	Bracket-Mounting
13	20-5950	2	Collar
14	20-6000	1	Idler ASM
14:1	256-105	2	Bushing-Flange
14:3	302-5	1	Fitting-Grease
15	20-5960	2	Wheel-Friction
16	32121-4	2	Pin-Roll, Slotted



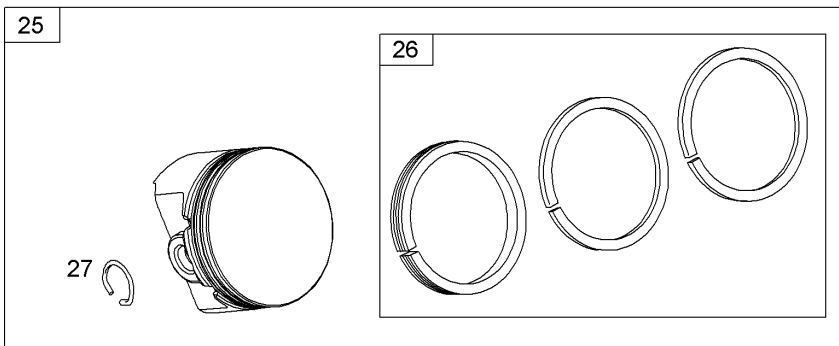
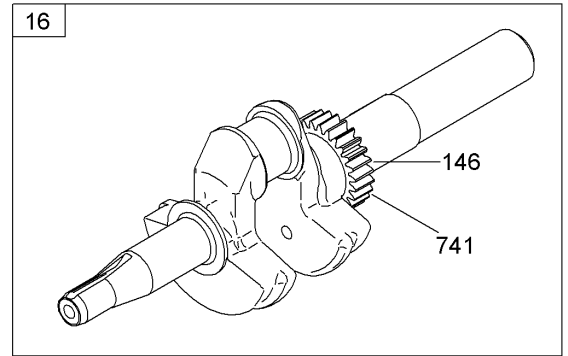
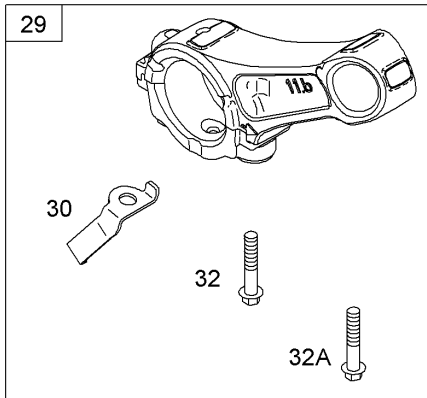
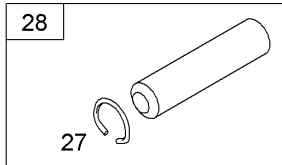
1058 OPERATOR MANUAL

Assemblies include all parts shown in frames



## Cylinder Assembly Briggs and Stratton 126302-0210-B1

Ref	Part No.	Qty.	Description
1	699510	1	Cylinder ASM
2	399269	1	Bushing Seal Kit (Magneto Side)
3	299819s	1	Seal-Oil (Magneto Side)
15	691686	1	Plug-Drain, Oil (Square Head)
15A	691682	1	Plug-Drain, Oil (Flush)
306	693610	1	Shield-Cylinder
307	699483	1	Screw (Cylinder Shield)
552	692346	1	Bushing-Crank, Governor
718	690959	1	Pin-Locating
1058	MS3431	1	Operator Manual

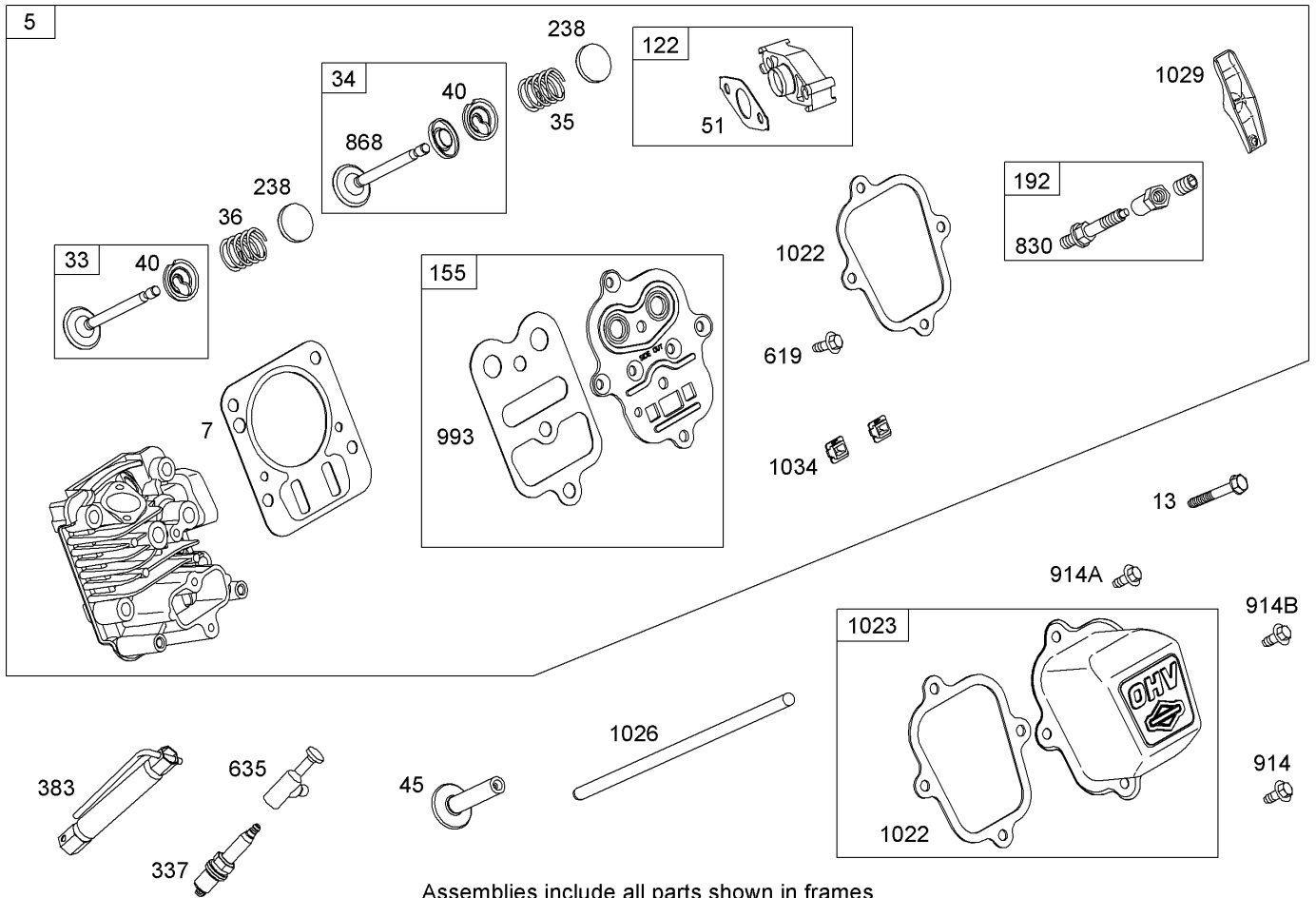



Assemblies include all parts shown in frames

## Crankshaft Assembly Briggs and Stratton 126302-0210-B1

Ref	Part No.	Qty.	Description
②16	699452	1	Crankshaft
②24	222698s	1	Key-Flywheel
②25	791097	1	Piston ASM (STD)
②25	791326	1	Piston ASM (.020 O S)
②26	791969	1	Ring Set (STD)
②26	791324	1	Ring Set (.020 O S)
②27	691866	1	Lock-Pin, Piston
②28	499423	1	Pin-Piston
②29	690124	1	Rod-Connecting
②30	692562	1	Dipper-Rod, Connecting
②32	691664	1	Screw (Connecting Rod)
②32A	695759	1	Screw (Connecting Rod)
②146	690979	1	Key-Timing
②741	695087	1	Gear-Timing

--	--	--	--



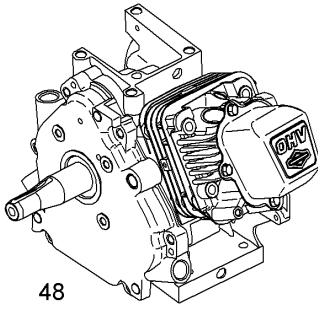
Assemblies include all parts shown in frames

# Cylinder Head Assembly

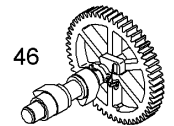
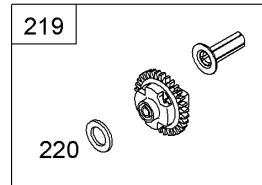
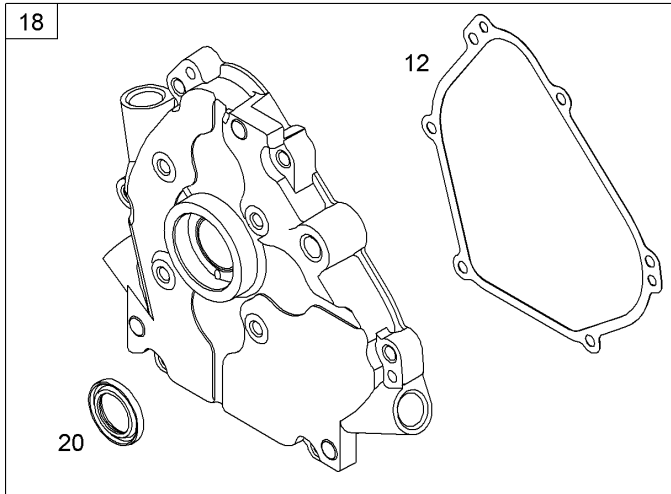
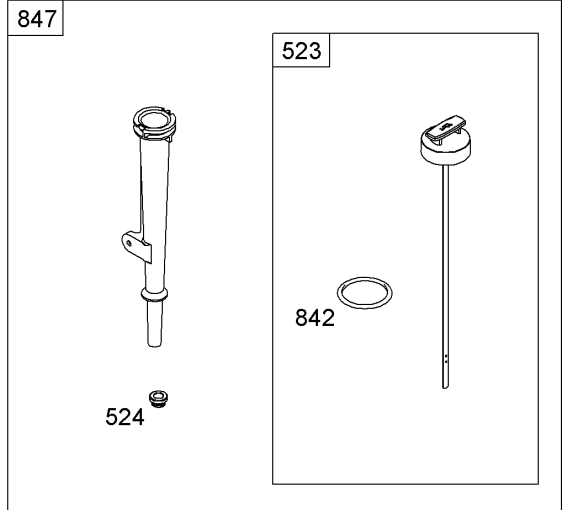
## Briggs and Stratton 126302-0210-B1

Ref	Part No.	Qty.	Description
25	699486	1	Head-Cylinder
247	698210	1	Gasket-Head, Cylinder
6			
213	699482	1	Screw (Cylinder Head)
233	499642	1	Valve-Exhaust
234	499641	1	Valve-Intake
235	691304	1	Spring-Valve (Intake)
236	691304	1	Spring-Valve (Exhaust)
240	692194	1	Retainer-Valve
245	690977	1	Valve-Tappet
2451	692555	1	Gasket-Intake
6			
2122	693749	1	Spacer-Carburetor
2155	698214	1	Plate-Head, Cylinder
2192	694543	1	Adjuster-Arm, Rocker
2238	691300	1	Cap-Valve
2337	691043	1	Spark Plug
2383	19374s	1	Wrench-Spark Plug
2619	699230	1	Screw (Cylinder Head Plate)
2635	692076	1	Boot-Spark Plug
2830	694544	1	Stud-Arm, Rocker
24868	692044	1	Seal-Valve
6			
2914	699480	1	Screw (Rocker Cover Bottom)
2914A	692557	1	Screw (Rocker Cover Top)

Ref	Part No.	Qty.	Description
2914B	697551	1	Screw (Rocker Cover Side)
24993	694088	1	Gasket-Head Plate, Cylinder
6			
241022	691890	1	Gasket-Cover, Rocker
6			
21023	499924	1	Rocker Cover
21026	790287	1	Push Rod
21029	691230	1	Arm-Rocker
21034	691343	1	Guide-Rod, Push



48

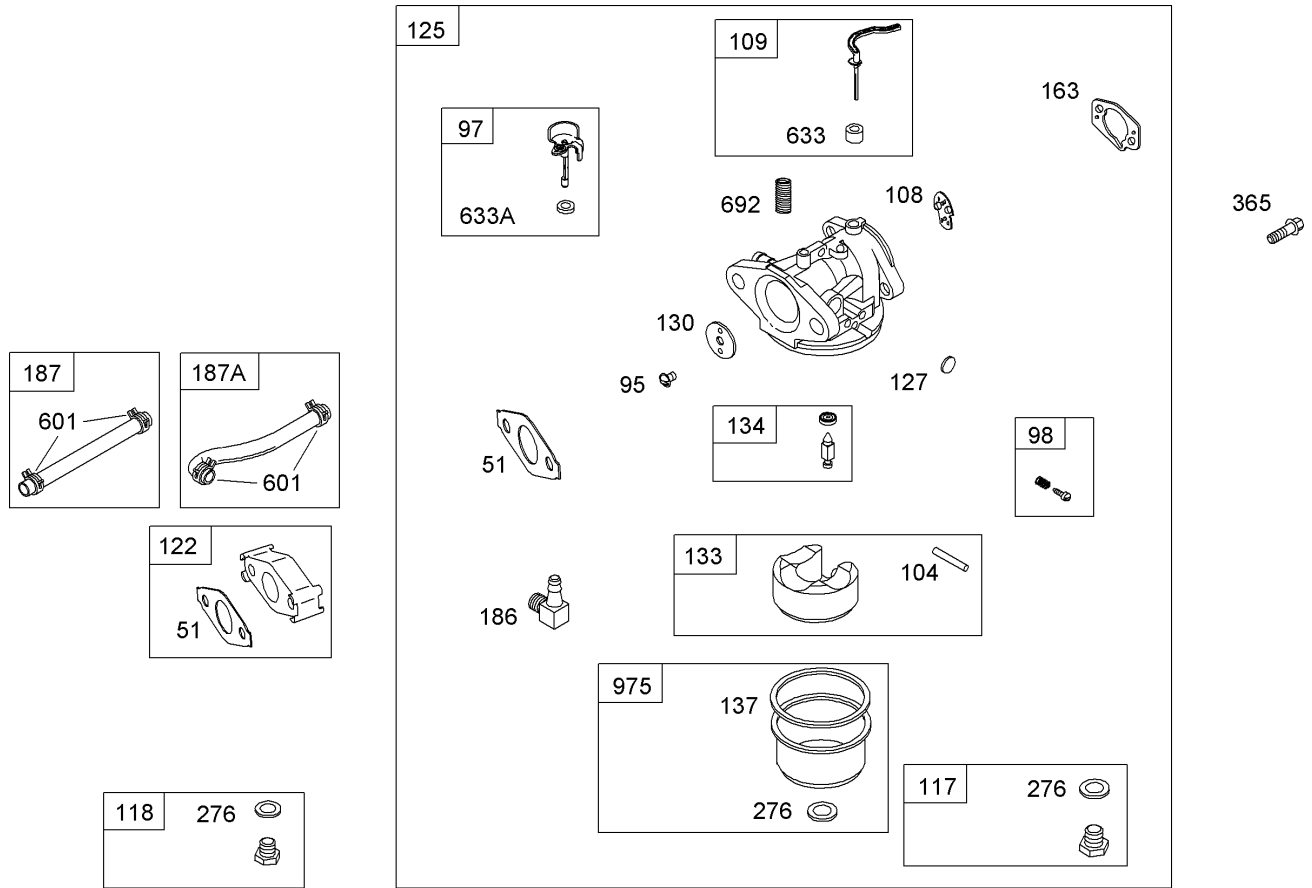


Assemblies include all parts shown in frames

## Crankcase Assembly Briggs and Stratton 126302-0210-B1

Ref	Part No.	Qty.	Description
2412	699485	1	Gasket-Cover, Crankcase
218	699696	1	Cover-Crankcase
2420	692550	1	Seal-Oil (P-T-O Side)
221	281658S	1	Cap-Fill, Oil
222	699478	1	Screw (Crankcase Sump Cover)
246	693404	1	Camshaft
248		1	Short Block (Not Available At This Time)
2219	693578	1	Gear-Governor
2220	691724	1	Washer (Governor Gear)
2287	699629	1	Screw (Dipstick Tube)
2523	693618	1	Dipstick
2524	281370S	1	Seal-Tube, Dipstick
2742	692564	1	Retainer, E-Ring
2746	692566	1	Gear-Idler
2842	691031	1	Seal, O-Ring (Dipstick Tube)
2847	693617	1	Dipstick And Tube ASM

--	--	--	--

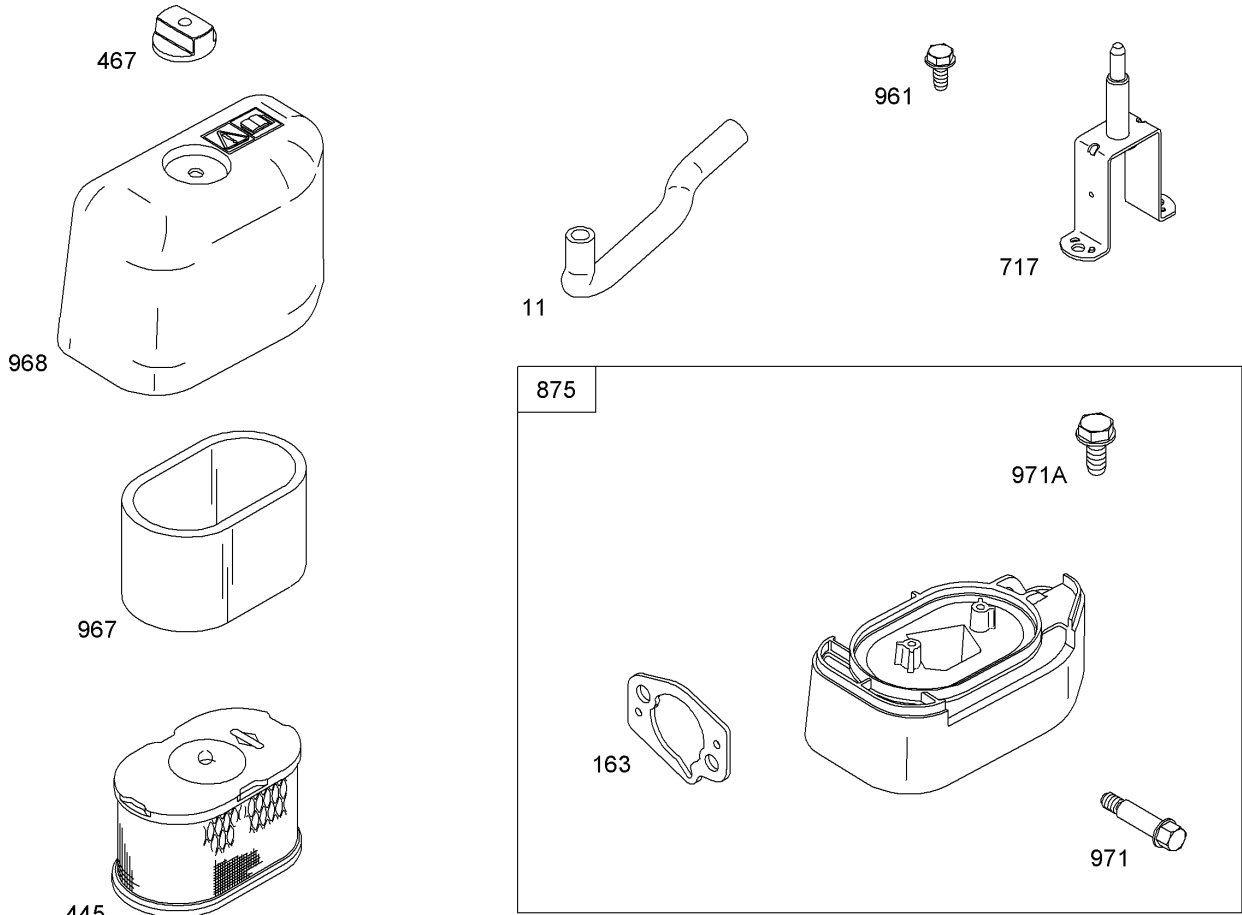


Assemblies include all parts shown in frames

## Carburetor Assembly Briggs and Stratton 126302-0210-B1

Ref	Part No.	Qty.	Description
③④51	692555	1	Gasket-Intake
⑤⑥			
②95	691636	1	Screw (Throttle Valve)
②97	690024	1	Shaft-Throttle
②98	398185	1	Idle Speed Kit
②③104	691242	1	Pin-Hinge, Float
②108	692567	1	Valve-Choke
②109	693628	1	Shaft-Choke
②117	697355	1	Jet-Main (STD)
②118	494870	1	Jet-Main (High Altitude)
②122	693749	1	Spacer-Carburetor
②125	697028	1	Carburetor
②③127	691739	1	Plug-Welch
②130	691181	1	Valve-Throttle
②133	398187	1	Float-Carburetor
②③134	398188	1	Needle Seat Kit
②③137	693981	1	Gasket-Bowl, Float
⑤			
②163	696979	1	Gasket-Cleaner, Air
②186	692317	1	Connector-Hose
②187	791766	1	Line-Fuel (Cut To Required Length)
②187A	692601	1	Line-Fuel (Molded)
②③276	271716	1	Washer-Sealing
②365	699484	1	Screw (Carburetor)

Ref	Part No.	Qty.	Description
②601	791850	1	Clamp-Hose
②③633	693867	1	Seal-Shaft, Choke Throttle
⑤			
②③633A	691321	1	Seal-Shaft, Choke Throttle
⑤			
②692	690572	1	Spring-Detent
②975	493640	1	Bowl-Float

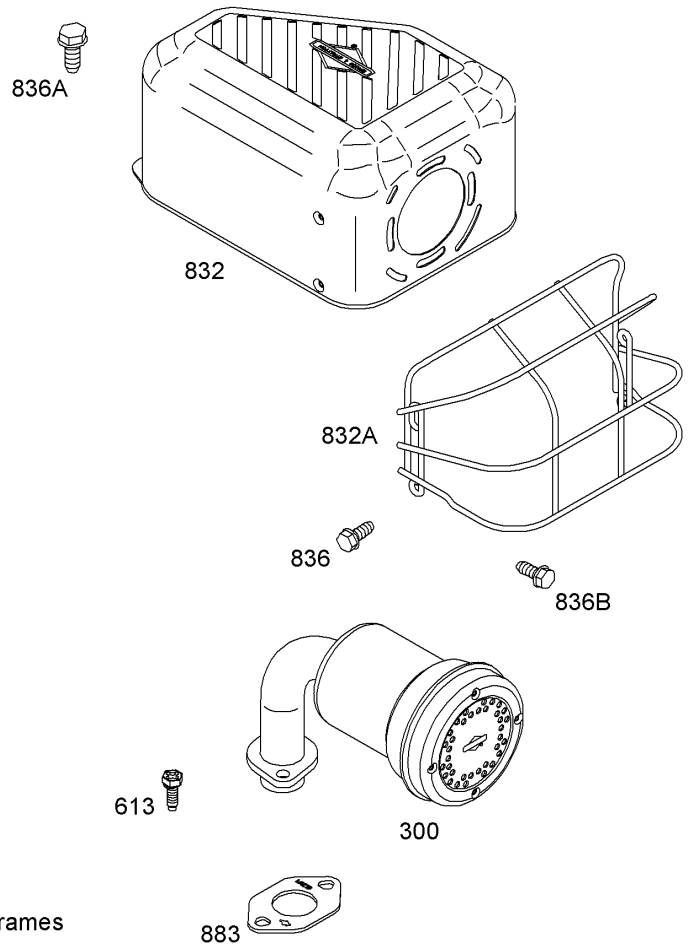
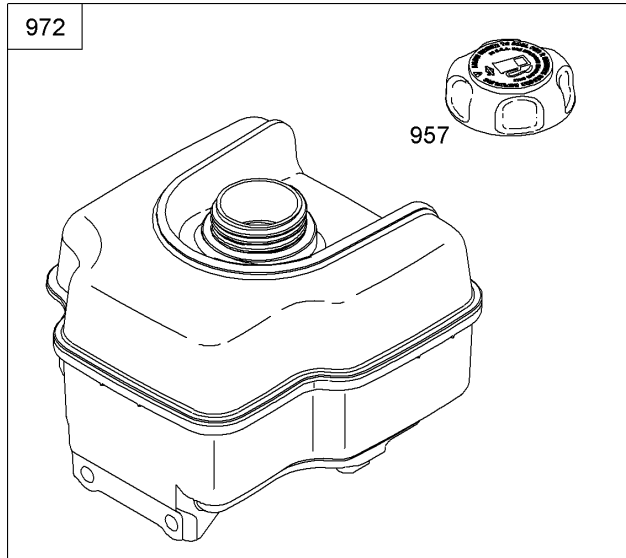


Assemblies include all parts shown in frames

## Air Cleaner Assembly Briggs and Stratton 126302-0210-B1

Ref	Part No.	Qty.	Description
1	693647	1	Tube-Breather
3, 4	792870	1	Gasket-Cleaner, Air
5, 6			
1	697029	1	Filter-Cartridge, Air Cleaner
1	691668	1	Knob-Cleaner, Air
1	693462	1	Bracket-Cleaner, Air
1	697030	1	Base-Cleaner, Air
1	698304	1	Screw (Air Cleaner Bracket)
1	273356S	1	Filter-Cleaner, Pre
1	693460	1	Cover-Cleaner, Air
1	690349	1	Screw (Air Cleaner Primer Base)
1	699629	1	Screw (Air Cleaner Base)

--	--	--	--

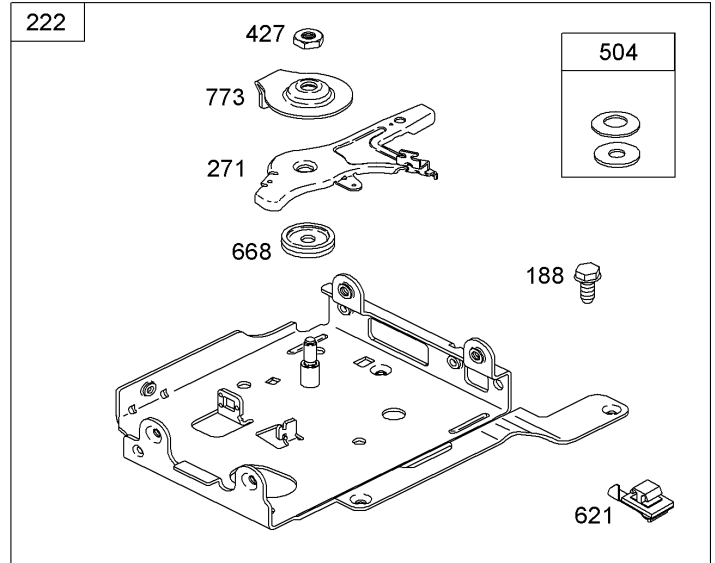
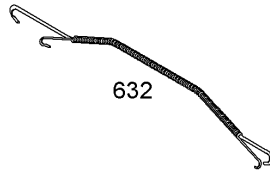
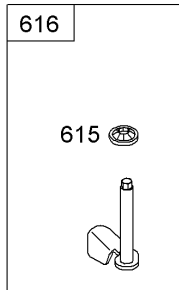
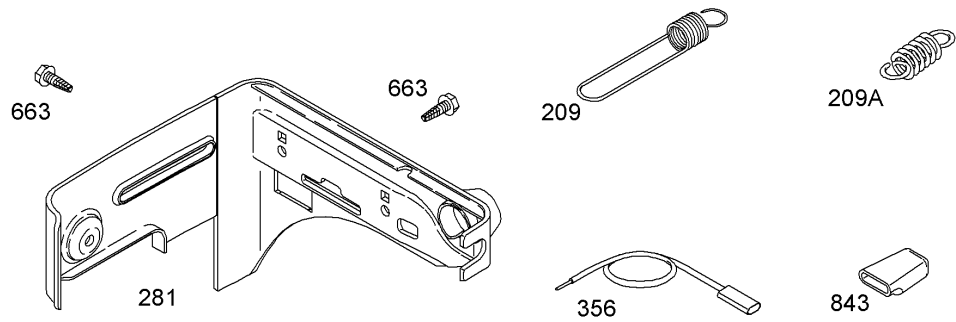
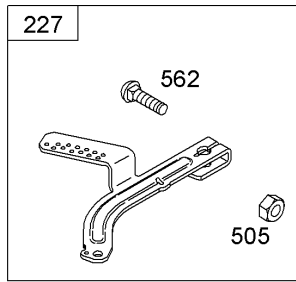


Assemblies include all parts shown in frames

## Muffler and Fuel Tank Assembly Briggs and Stratton 126302-0210-B1

Ref	Part No.	Qty.	Description
②300	693593	1	Muffler
②190	699220	1	Screw (Fuel Tank)
②613	699209	1	Screw (Muffler)
②832	693583	1	Guard-Muffler
②832A	696516	1	Guard-Muffler
②836	699204	1	Screw (Muffler Guard)
②836A	699632	1	Screw (Muffler Guard)
②836B	699203	1	Screw (Muffler Guard)
②④883	691893	1	Gasket-Exhaust
②957	694261	1	Cap-Tank, Fuel
②958	698180	1	Valve-Shut Off, Fuel
②972	694260	1	Tank-Fuel

--	--	--	--



Assemblies include all parts shown in frames

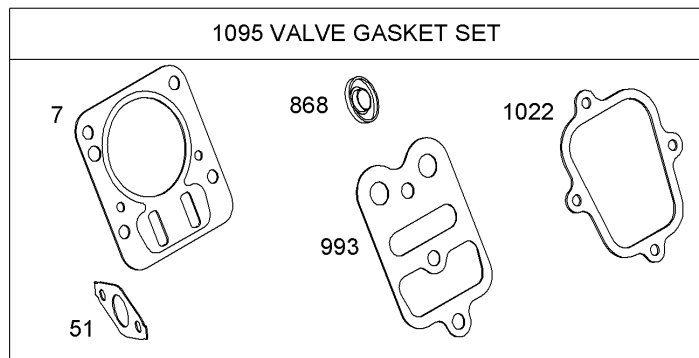
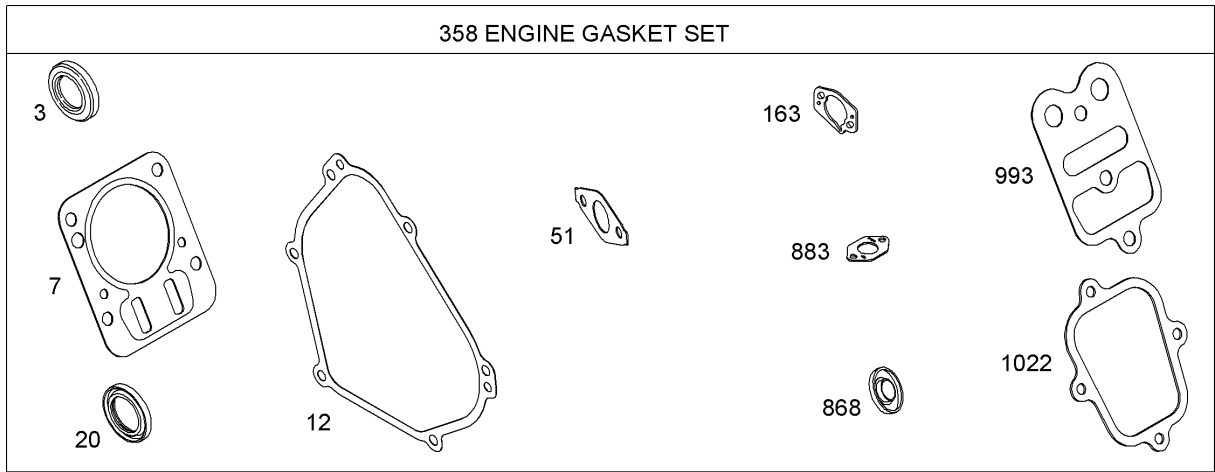
## Governor Assembly Briggs and Stratton 126302-0210-B1

Ref	Part No.	Qty.	Description
●188	699479	1	Screw (Control Bracket)
●209	692571	1	Spring-Governor
●209A	691278	1	Spring-Governor
●222	699589	1	Bracket-Control
●227	692573	1	Lever-Control, Governor
●271	694256	1	Lever-Control
●281	699639	1	Panel-Control
●333	695711	1	Armature-Magneto
●334	699477	1	Screw (Magneto Armature)
●356	692390	1	Wire-Stop
●427	694255	1	Nut (Control Bracket)
●504	694254	1	Friction Washer Set
●505	691251	1	Nut (Governor Control Lever)
●562	691112	1	Bolt (Governor Control Lever)
●615	692576	1	Retainer-Shaft, Governor
●616	692547	1	Crank-Governor
●621	692310	1	Switch-Stop
●632	693408	1	Link-Spring, Mechanical Governor
●663	699206	1	Screw (Control Panel)
●668	694257	1	Spacer (Control Bracket)
●773	694258	1	Retainer
●843	695588	1	Sleeve-Lever
●851	493880s	1	Terminal-Spark Plug







Assemblies include all parts shown in frames

## Gasket Kit Briggs and Stratton 126302-0210-B1

Ref	Part No.	Qty.	Description
243	299819s	1	Seal-Oil (Magneto Side)
247	698210	1	Gasket-Head, Cylinder
6			
2412	699485	1	Gasket-Cover, Crankcase
2420	692550	1	Seal-Oil (P-T-O Side)
3451	692555	1	Gasket-Intake
56			
23163	792870	1	Gasket-Cleaner, Air
45			
2358	791797	1	Engine Gasket Set
24868	692044	1	Seal-Valve
6			
24883	691893	1	Gasket-Exhaust
24993	694088	1	Gasket-Head Plate, Cylinder
6			
241022	691890	1	Gasket-Cover, Rocker
6			
21095	791798	1	Valve Gasket Set



## NOTES

# NOTES

# NOTES

