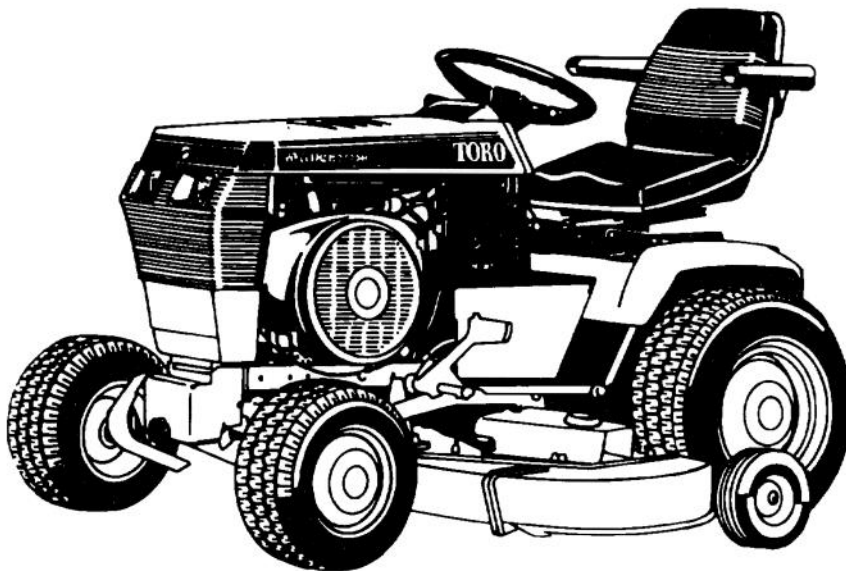




MODEL NO. 41-200E02-1000001 & UP

**PARTS
CATALOG**

**WHEEL HORSE®
520-H Lawn Tractor**



TORO WHEELHORSE PARTS MANUAL

INTRODUCTION PAGE

1. How to use this parts manual:

- 1.1 This parts manual is divided into major sections arranged in the sequence as outlined on the following page. Major sections are subdivided into smaller groups of parts, each with its own illustration and illustration reference numbers.
- 1.2 Illustrated items are numerically keyed to the parts listing on the facing page. Illustrations are repeated when the parts list is too long for one page. Figure numbers are located at the bottom of each illustration and also at the beginning of each description column. Item numbers are numerically keyed to their respective illustrations.
- 1.3 A numerical index is located at the end of this manual.
- 1.4 When an (X) appears in the quantity (Qty) column use only applicable or as required to meet tolerances.

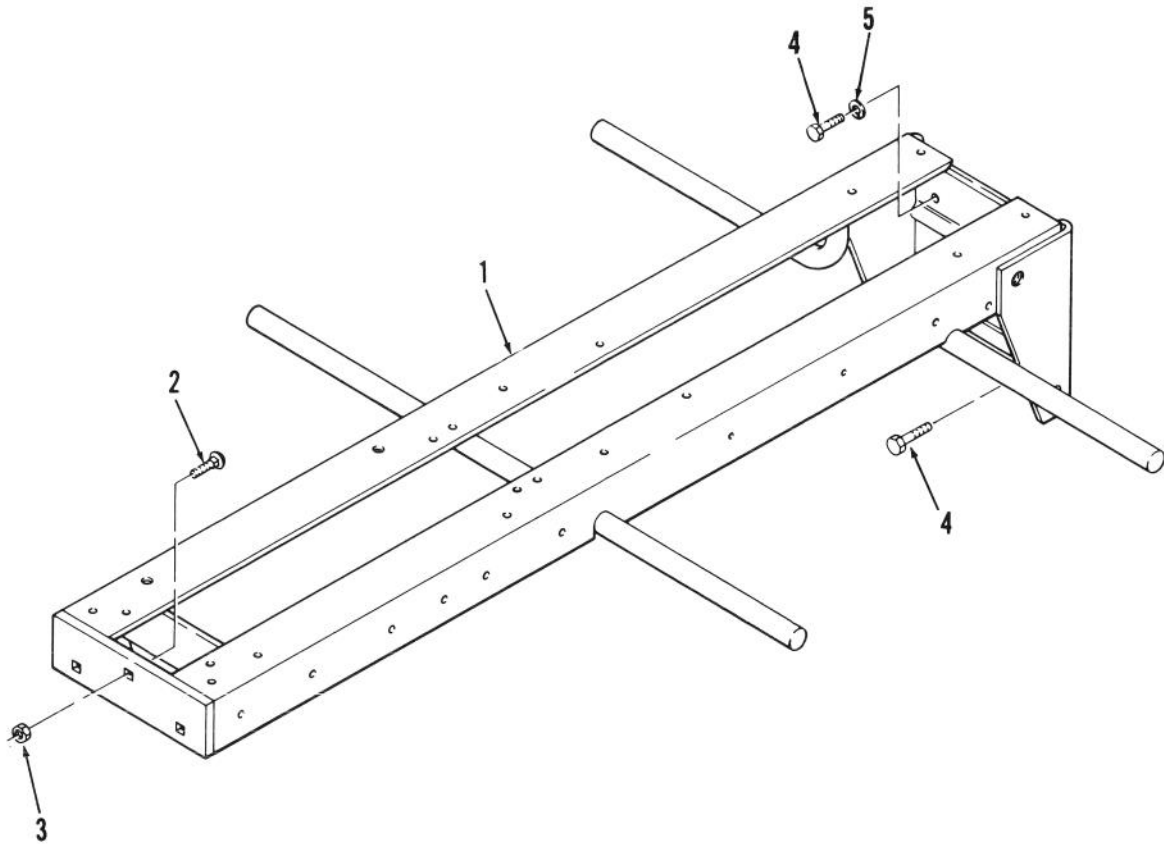
2. To locate parts:

- 2.1 When function use or location is known:
Refer to the List of Illustrations to locate the proper illustration.

LIST OF ILLUSTRATIONS

<u>TITLE</u>	<u>FIGURE NUMBER</u>	<u>PAGE</u>
Frame	1-1	2
Transaxle	4-1	4
Hydrostatic Transmission	4-2	6
Front Axle and Steering	5-1	8
Clutch, Brake and Speed Control Linkage	6-2,3	10-12
Hitches	7-1	14
Lift Linkage-Hydrostatic	7-3	16
Sheet Metal and Covers	8-1,2,3	18-22
Engines and Exhaust	9-1	24
Toro Power Plus Engine Cylinder Block	9-2	26-28
Toro Power Plus Engine Crankshaft, Camshaft & Flywheel	9-3	30-32
Toro Power Plus Oil, Fill Tube and Bracket	9-4	33
Toro Power Plus Oil Filter & Low Oil Pressure Cut Off Switch	9-5	34
Toro Power Plus Gearcase and Ignition Controls	9-6	36-38
Toro Power Plus Oil Base	9-7	39
Toro Power Plus Air Cleaner	9-7	40
Toro Power Plus Intake Manifold	9-8	42
Toro Power Plus Carburetor Components	9-9	44
Toro Power Plus Engine Blower Housing and Governor	9-10	46
Toro Power Plus Engine Starter	9-11	48
Toro Power Plus Engine Choke Linkage	10-1	50
Toro Power Plus Engine Throttle, Choke & Fuel Controls	10-2	52
Electrical System	11-1,2	54-58
Hydrostatic System	12-1	60
Wheels and Tires	13-1	62
Drive Belt and Pulleys	14-1	64
PTO Clutch and Control	14-2	66
Seat	15-1	68
Decal	15-2	70
Wiring Diagrams	17-1	72

SECTION 1 - FRAME



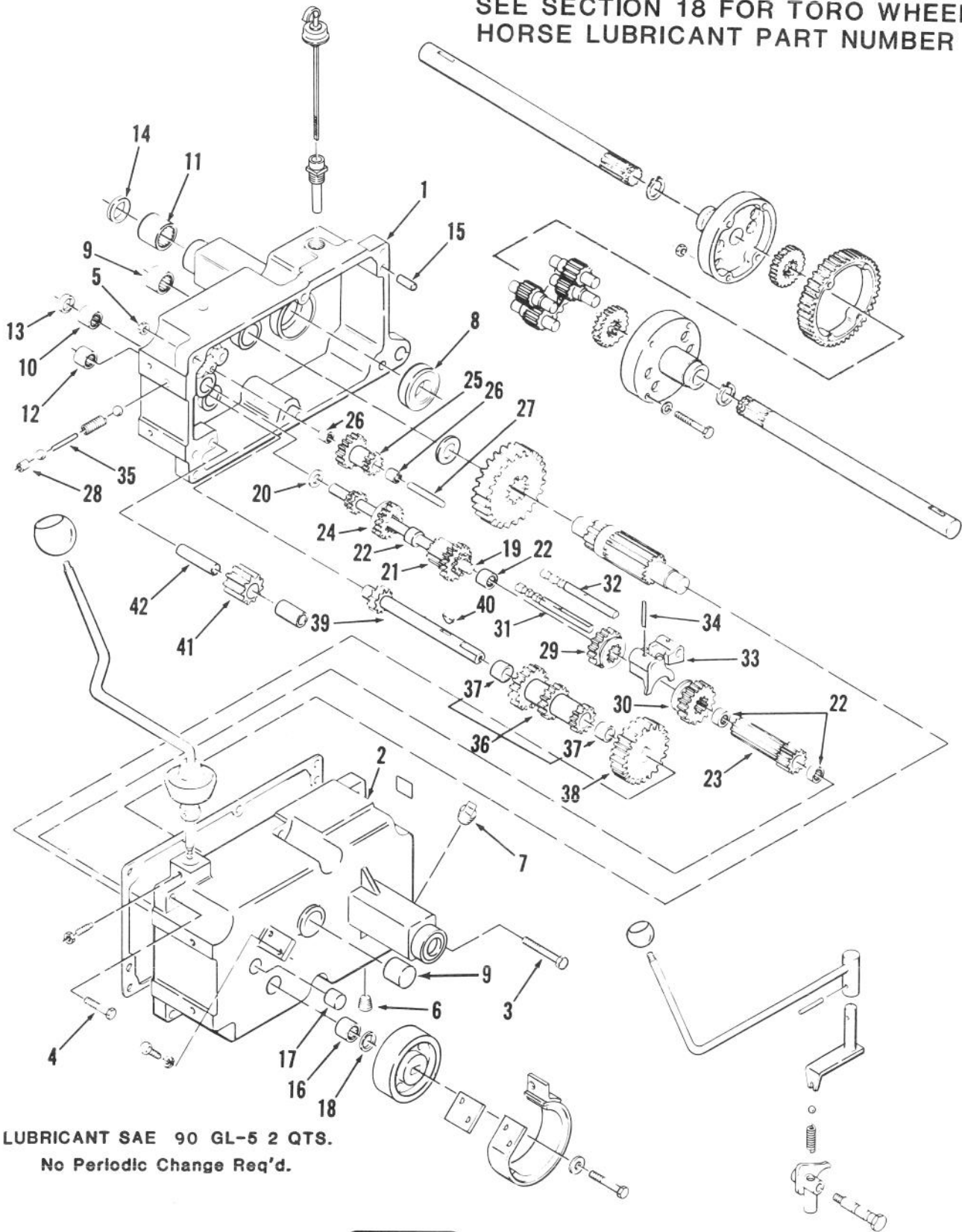
0103

SECTION 1 - FRAME

ITEM	PART NUMBER	DESCRIPTION	QUANTITY
		Figure 1-1 FRAME	
1	78-1570	Frame	1
2	900064	Carriage Bolt 3/8-16 x 1 1/4	3
3	3296-39	E.S. Nut 3/8-16	3
4	323-7	Bolt 3/8-16 x 3/4	4
5	920083	Lockwasher 3/8	4

SECTION 4 - HYDROSTATIC TRANSMISSION

SEE SECTION 18 FOR TORO WHEEL HORSE LUBRICANT PART NUMBER



LUBRICANT SAE 90 GL-5 2 QTS.
No Periodic Change Req'd.



0323

Figure 4-1 Transaxle

SECTION 4 - HYDROSTATIC TRANSMISSION

ITEM	PART NUMBER	DESCRIPTION	QUANTITY
		Figure 4-1 TRANSAXLE 520-H	
	115173	Transaxle Complete	1
2	113927	Case-Transaxle RH	1
3	111201	Case-Transaxle LH	1
4	111199	Ball Brg 40mm I.D.	2
5	9416	Needle Bearing 1 1/8 I.D.	2
6	1532	Needle Bearing 1 I.D.	2
7	1538	Needle Bearing 3/4 I.D.	1
8	1518	Needle Bearing 5/8 I.D.	1
9	6449	Seal Axle	2
10	108357	Seal	1
11	108363	Dowel Pin	2
12	111196	Differential End Cap	2
13	105061	Differential Ring Gear 43 Tooth.....	1
14	101623	Differential Pinion Gear 11 Tooth	8
15	107374	Special Washer-Case Hardened.....	4
16	911423	Bolt 3/8-16 x 3-1/2 (Grade 8).....	4
17	108881	Nut 3/8-16 High-Tensile	4
18	108362	Rear Axle RH-Long (13 1/8 in./33 cm)	1
19	108361	Rear Axle LH-Short (10 1/8 in./26 cm)	1
20	101889	Differential Axle Gear 24 Tooth	2
21	105876	Special Snapping	2
22	109703	Gear Assembly.....	1
23	101625	Gear-Pinion 11 Tooth	1
24	101626	Gear-Pinion 44 Tooth	1
25	9547	Thrust Washer	1
26	109370	Shaft	1
27	109752	Gear 46 Tooth	1
28	109742	Gear 20 Tooth	1
29	937099	Woodruff Key 3/16 x 1 1/8	1
30	7956	Thrust Washer	1
31	108312	Gasket-Case	1
32	109367	Bracket-Brake.....	1
33	908040	Bolt 3/8-16 x 2-1/2	1
34	323-7	Bolt 3/8-16 x 1-1/4	1
35	908149	Bolt 3/8-16 x 5-1/2	1
36	908043	Bolt 3/8-16 x 3-1/4	2
37	3296-39	E.S. Nut 3/8-16.....	3
38	106448	Filler Tube	1
39	110768	Dipstick.....	1
40	943460	Allen Hd. Pipe Plug 1/4	2
41	810243R2	Repair Manual	1

SECTION 4 - HYDROSTATIC TRANSMISSION

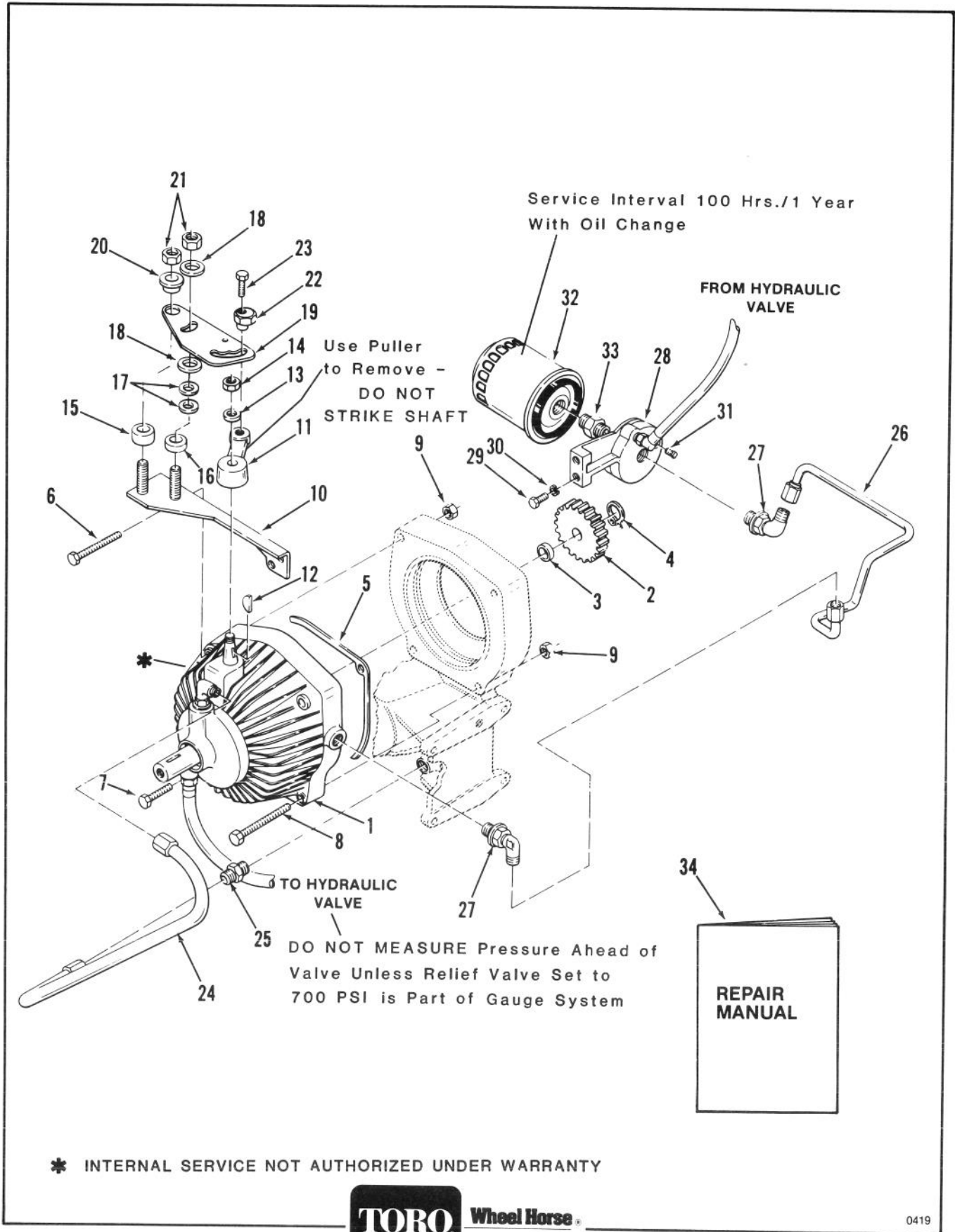


Figure 4-2 Hydrostatic Transmission

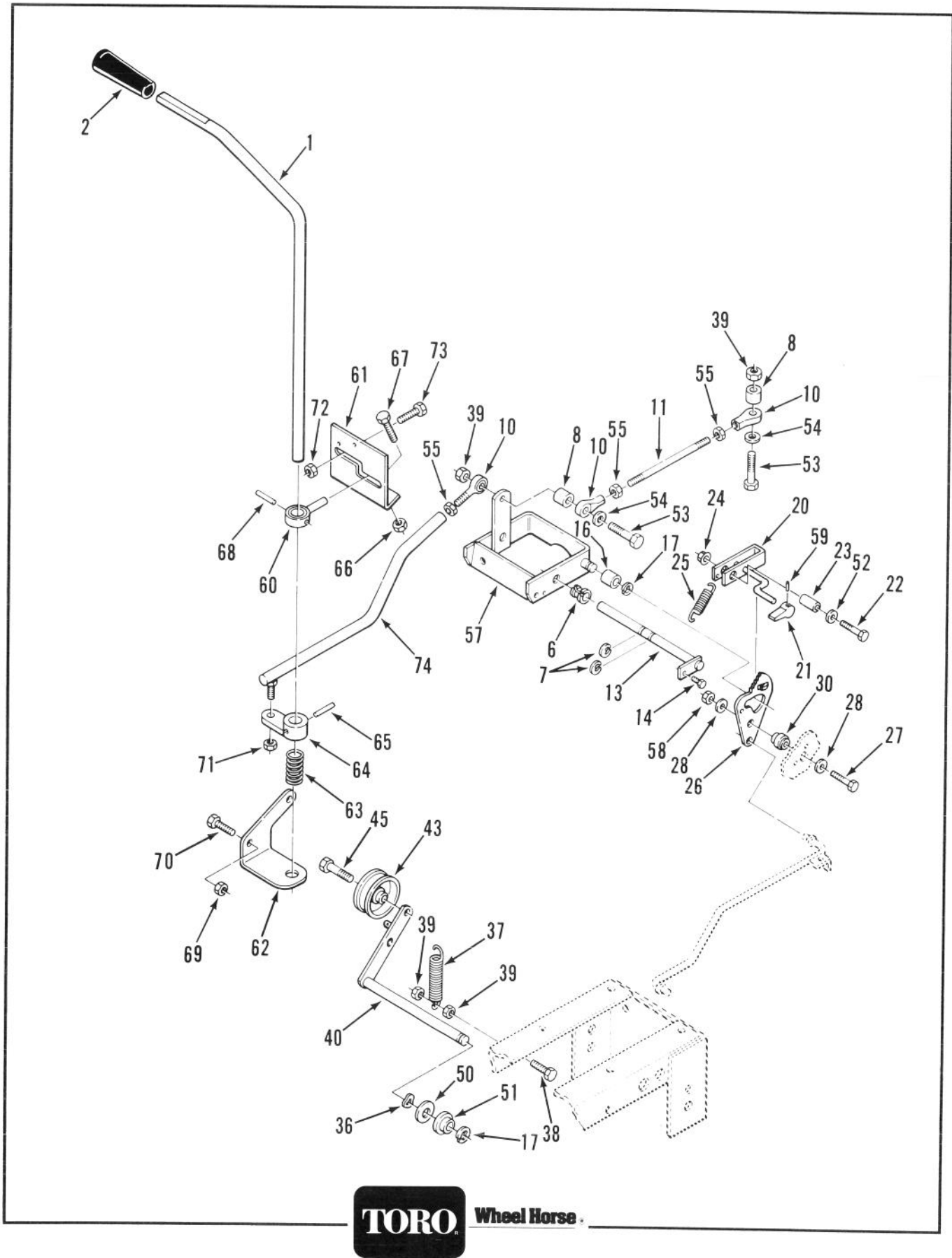
SECTION 4 - HYDROSTATIC TRANSMISSION

ITEM	PART NUMBER	DESCRIPTION	QUANTITY
Figure 4-2 HYDROSTATIC TRANSMISSION - 520-H			
1	108368	Pump & Motor (Rebuilt Part #219020)	1
2	109751	Gear 20 Tooth	1
3	108366	Spacer-Drive Gear	1
4	936121	Snapping 5/8 Ext.....	1
5	108319	Gasket	1
6	908149	Bolt 3/8-16 x 5-1/2	2
7	908040	Bolt 3/8-16 x 2-1/2 Eslok	1
8	911429	Bolt 3/8-16 x 6-1/2	1
9	3296-39	E.S. Nut 3/8-16.....	3
10	108329	Control Plate.....	1
11	108325	Cam Follower Arm.....	1
12	937009	Woodruff Key 1/8 x 5/8.....	1
13	920011	Washer 1/2 SAE.....	1
14	915665	E.S. Nut 1/2	1
15	108326	Pivot Spacer (Long).....	1
16	108327	Friction Spacer (Short)	1
17	100365	Washer-Spring Disc	2
18	100305	Washer-Friction	2
19	108333	Cam-Speed Control.....	1
20	100309	Spacer	1
21	108881	Locknut 3/8-16 Hi-Tensile	2
22	106661	Eccentric Cam.....	1
23	908019	Bolt 5/16-18 x 1 Eslok	1
24	111217	Tube-Suction	1
25	108364	Fitting (With 973620 O-Ring).....	1
26	109377	Tube Assembly.....	1
27	108365	Elbow (With 973370 O-Ring).....	2
28	108323	Base-Oil Filter.....	1
29	322-3	Bolt 5/16-18 x 3/4	2
30	3253-4	Lockwasher 5/16	2
31	943460	Plug 1/4 NPT	1
32	108335	Oil Filter	1
33	5991	Fitting.....	1
34	810243R2	Repair Manual	1

SECTION 5 - FRONT AXLE AND STEERING

ITEM	PART NUMBER	DESCRIPTION	QUANTITY
Figure 5-1 FRONT AXLE AND STEERING			
1	116823	Front Axle	1
2	1030	Grease Fitting Straight	2
3	1481	Grease Fitting 45 Degree	1
4	6216	Pin and Plate	1
5	908015	Bolt 5/16-18 x 1/2	1
6	3253-4	Lockwasher 5/16	1
7	112764	Front Spindle RH	1
	112765	Front Spindle LH	1
8	5618	E-Ring	1
12	6472	Flanged Bearing	1
13	323-7	Bolt 3/8-16 x 1 1/4	2
14	3296-39	E.S. Nut 3/8-16	2
15	78-1490	Lower Steering Shaft	1
16	5210	Shim Washer 3/4 x .015	A/R
17	1278	Shim Washer 3/4 x .050	A/R
18	3272-22	Cotter Pin 3/16 x 1-1/4	1
19	78-1411	Steering Support	1
20	908037	Bolt 3/8-16 x 1-3/4	6
21	3296-39	Eslok Nut 3/8-16	6
22	302-16	Grease Fitting 45 Degree	1
23	78-1522	Bearing-Lower Steering Shaft	1
24	109189	Bearing-Upper Steering Shaft	1
25	78-1420	Upper Steering Shaft	1
26	111383	Collar	1
27	909848	Eslok Set Screw 1/4-20 x 1/4	1
28	113443	Cotter Pin 3/32 x 1	1
30	117337	Steering Wheel	1
31	933221	Spirol Pin 1/4 x 2	1
33	1278	Washer	2
34	936131	Retaining Ring	2
35	915031	Slotted Nut 7/16 x 20	4
36	111646	Grip Ring	1
37	920242	Spacer	4
38	112772	Tie Rod End RH Thread	2
39	112771	Tie Rod End LH Thread	2
40	112773	Tube	2
41	112775	Nut 9/16 - 18 LH Thread	2
42	915088	Nut 9/16 - 18	2
43	109845	Grease Fitting	4
44	9865	Thrust Bearing	2
45	9548	Thrust Washer	4
46	78-1450	Shaft	1
47	78-1522	Block	1
48	78-1531	Shim 0.010	A/R
49	78-1481	Pinion	1
50	920262	Washer 1 1/8 x .015	1
51	920216	Washer .765 x 1.125 x 0.060	1
52	915032	Nut 1/2-20	1

SECTION 6 - CLUTCH, BRAKE AND MOTION CONTROL LINKAGE



TORO Wheel Horse

Figure 6-2 Clutch, Brake And Speed Control Linkage

SECTION 6 - CLUTCH, BRAKE AND MOTION CONTROL LINKAGE

ITEM	PART NUMBER	DESCRIPTION	QUANTITY
Figure 6-2 CLUTCH, BRAKE AND SPEED CONTROL LINKAGE -520-H			
1	117329	Motion Control Lever	1
2	116635	Knob-Motion Control Linkage	1
6	5983	Bushing	2
7	5701	E-Ring	2
8	100304	Spacer	2
10	116407	Rod End	2
11	108904	Rod Control 9" long	1
13	108496	Pivot Rod-Motion Control Lever	1
14	926694	S.T. Bolt 5/16-18 x 5/8.....	1
16	100656	Cam Bearing	1
17	32120-47	E-Ring 1/2	4
20	78-8500	Parking Brake Lever	1
21	118860	Knob-Parking Brake Lever	1
22	908037	Bolt 3/8-16 x 1-3/4	1
23	102025	Spacer	1
24	102809	Special Flanged Nut	1
25	1230	Spring	1
26	108716	Cam Plate.....	1
27	323-8	Bolt 3/8-16 x 1-1/2	1
28	3256-4	Washer 3/8 SAE	2
30	108717	Spacer	1
36	108473	Wave Washer	2
37	107938	Spring	1
38	908005	Bolt 1/4-20 x 1	1
39	3296-42	Eslok Nut 1/4 x 20	4
40	78-6020	Pivot Rod	1
43	112791	Idler Pulley.....	1
45	106193	Special Bolt 3/8-16 x 1 1/2	1
50	920011	Washer 1/2 SAE	1
51	7879	Bushing	1
52	3256-24	Washer 3/8 SAE	1
53	911458	Bolt 1/4-20 x 1 1/2	2
54	3256-22	Washer 1/4 SAE	2
55	915083	Jam Nut 1/4-28.....	3
57	113454	Cam Control	1
58	3296-39	E.S. Nut 3/8-16.....	2
59	933135	Spirol Pin 3/32 x 5/8	1
60	118660	Control Guide	1
61	78-5711	Control Bracket.....	1
62	78-1540	Control Bracket-Lower.....	1
63	101853	Spring	1
64	116321	Control Arm	1
65	933171	Spirol Pin 5/32 x 1	1
66	3296-42	E.S. Nut 1/4-20	2
67	321-4	Bolt 1/4-20 x 3/4	2
68	933198	Spirol Pin 7/32 x 7/8	1
69	3296-29	E.S. Nut 5/16-18.....	2
70	322-3	Bolt 5/16-18 X 3/4.....	2
71	3296-4	Nut 5/16-24.....	1
72	3296-29	Stop Nut 5/16-18	1
73	908016	Stop Bolt 5/16-18.....	1
74	116324	Rod Assembly	1

SECTION 6 - CLUTCH, BRAKE AND MOTION CONTROL LINKAGE

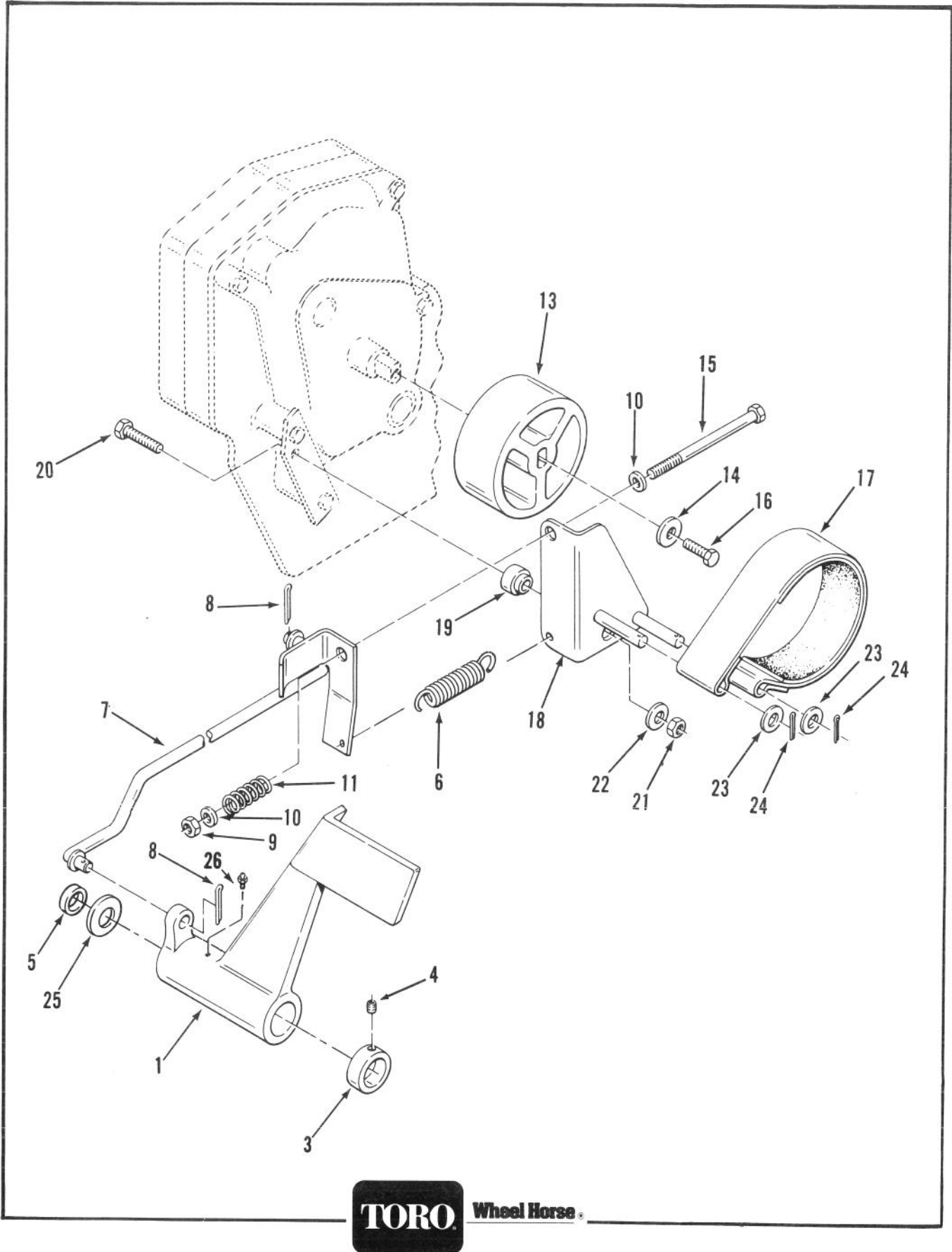
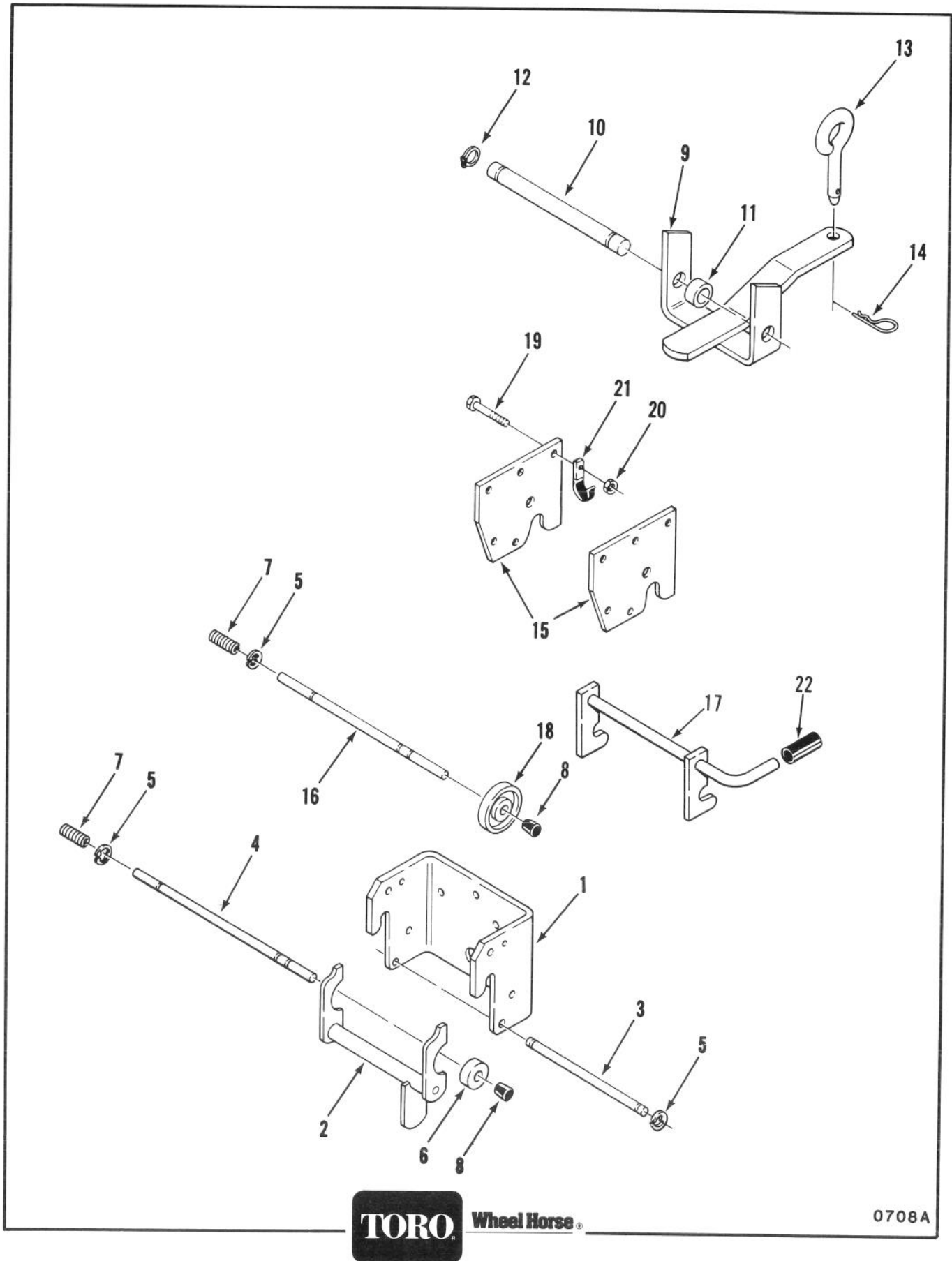


Figure 6-3 Clutch, Brake And Speed Control Linkage

SECTION 6 - CLUTCH, BRAKE AND MOTION CONTROL LINKAGE

ITEM	PART NUMBER	DESCRIPTION	QUANTITY
		Figure 6-3 CLUTCH, BRAKE AND SPEED CONTROL LINKAGE - 520-H	
1	79-1350	Brake/Return To Neutral Pedal	1
3	1085	Collar	1
4	909848	Esllok Set Screw 1/4-20 x 1/4	1
5	101757	Spacer	1
6	103125	Spring-Brake Return.....	1
7	109372	Brake Rod-Front.....	1
8	3272-11	Cotter Pin 1/8 x 1.....	2
9	3296-39	E.S. Nut 3/8-16.....	1
10	3256-24	Washer 3/8 SAE.....	2
11	108680	Spring	1
13	106719	Brake Drum	1
14	2844	Special Washer	1
15	323-23	Bolt 3/8-16 x 4-1/2	1
16	3235-22	Esllok Bolt 3/8-16 x 1	1
17	109371	Brake Band.....	1
18	78-7740	Brake Pivot Arm	1
19	109356	Bushing	1
20	908037	Bolt 3/8-16 x 1-3/4	1
21	3296-39	E.S. Nut 3/8-16.....	1
22	3256-4	Washer 3/8 U.S.	1
23	3256-24	Washer 3/8 SAE.....	2
24	3272-6	Cotter Pin 3/32 x 3/4.....	2
25	1278	Shim Washer	A/R
26	1030	Grease Fitting.....	1

SECTION 7 - HITCHES AND LIFT LINKAGE



TORO Wheel Horse®

0708A

Figure 7-1 Hitches

SECTION 7 - HITCHES AND LIFT LINKAGE

ITEM	PART NUMBER	DESCRIPTION	QUANTITY
		Figure 7-1 HITCHES	
1	101711	Front Hitch Housing.....	1
2	105859	Latch-Front Hitch.....	1
3	101750	Rod.....	1
4	101751	Rod-Front Hitch Lock.....	1
5	105797	E-Ring.....	8
6	101707	Lock.....	1
7	8616	Spring.....	2
8	105316	Cap-Lock Rod.....	2
9	1644	Drawbar Hitch.....	1
10	105269	Shaft-Drawbar Hitch.....	1
11	979120	Spacer.....	2
12	5618	E-Ring.....	2
13	106634	Hitch Pin.....	1
14	933505	Hairpin Cotter.....	1
15	102644	Mid Hitch Plate.....	2
16	102672	Rod-Mid Hitch Lock.....	1
17	117930	Latch-Mid Hitch.....	1
18	101017	Lock.....	1
19	911435	Bolt 3/8-16 x 1.....	6
20	108881	E.S. Nut 3/8-16.....	6
21	8830	Clip.....	1
22	9038	Grip.....	1

SECTION 7 - HITCHES AND LIFT LINKAGE

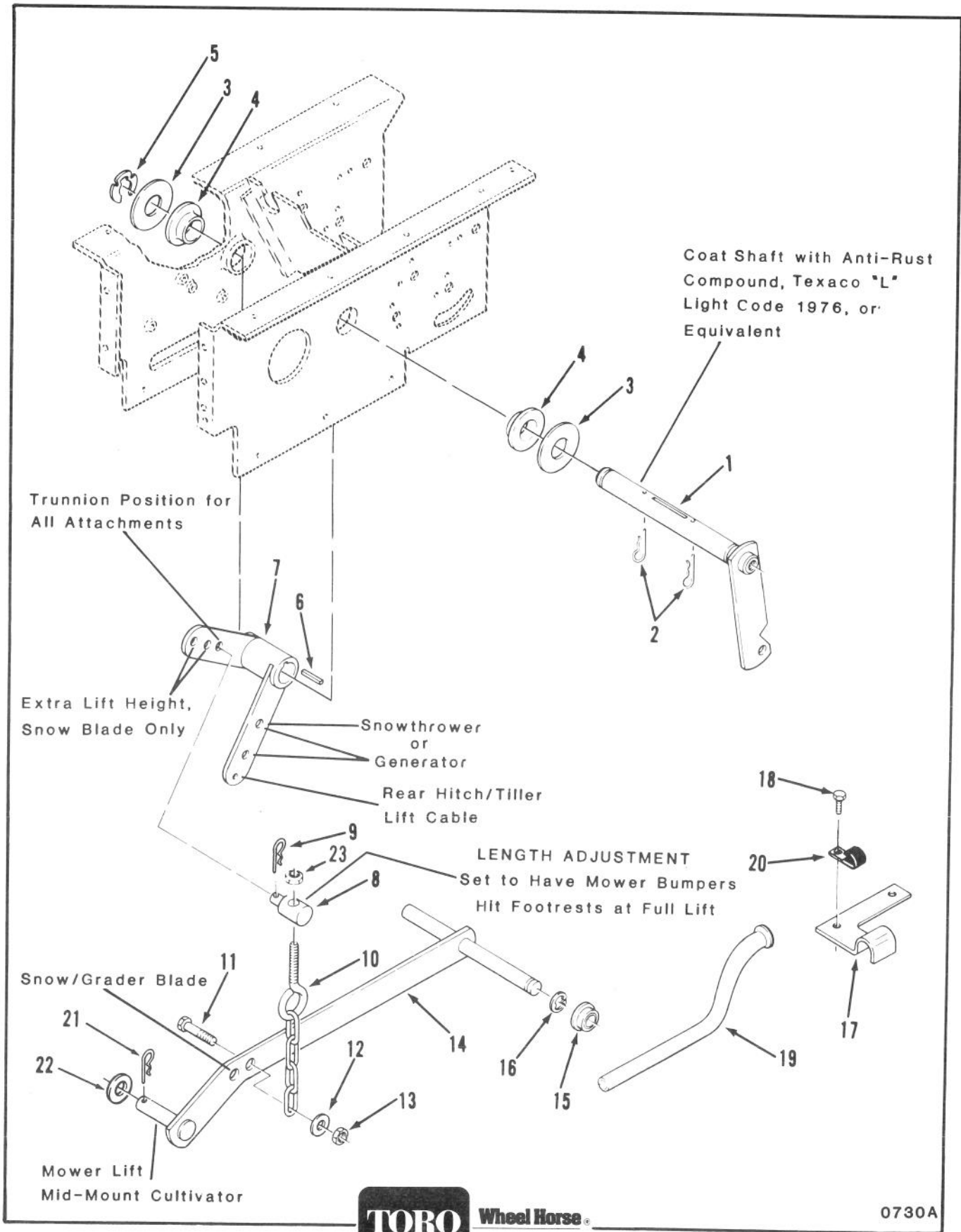


Figure 7-3 Hydrostatic Lift Linkage

SECTION 7 - HITCHES AND LIFT LINKAGE

ITEM	PART NUMBER	DESCRIPTION	QUANTITY
		Figure 7-3 HYDROSTATIC LIFT LINKAGE	
1	121100	Lift Lever.....	1
2	933507	Hairpin Cotter	2
3	920017	Washer 1" SAE.....	3
4	106269	Bushing	2
5	106414	Retainer.....	2
6	1121	Key 1/4 sq. x 1-3/16	1
7	78-1550	Bellcrank.....	1
8	6739	Trunnion	1
9	933505	Hairpin Cotter	1
10	106522	Lift Chain	1
11	322-5	Bolt 5/16-18 x 1	1
12	3256-23	Washer 5/16	1
13	3296-29	E.S. Nut 5/16-18.....	1
14	102373	Lift Bar	1
15	6229	Bearing	1
16	32120-47	E-Ring	1
17	108903	Clamp Tube.....	1
18	3235-22	Eslok Bolt 3/8-19 x 1	2
19	108315	Tube - Rear Lift Cable	1
20	8830	Clamp.....	1
21	933505	Hairpin Cotter	1
22	920011	Washer 1/2 SAE.....	1
23	3296-39	E.S. Nut 3/8-16.....	1

SECTION 8 - SHEET METAL AND COVERS

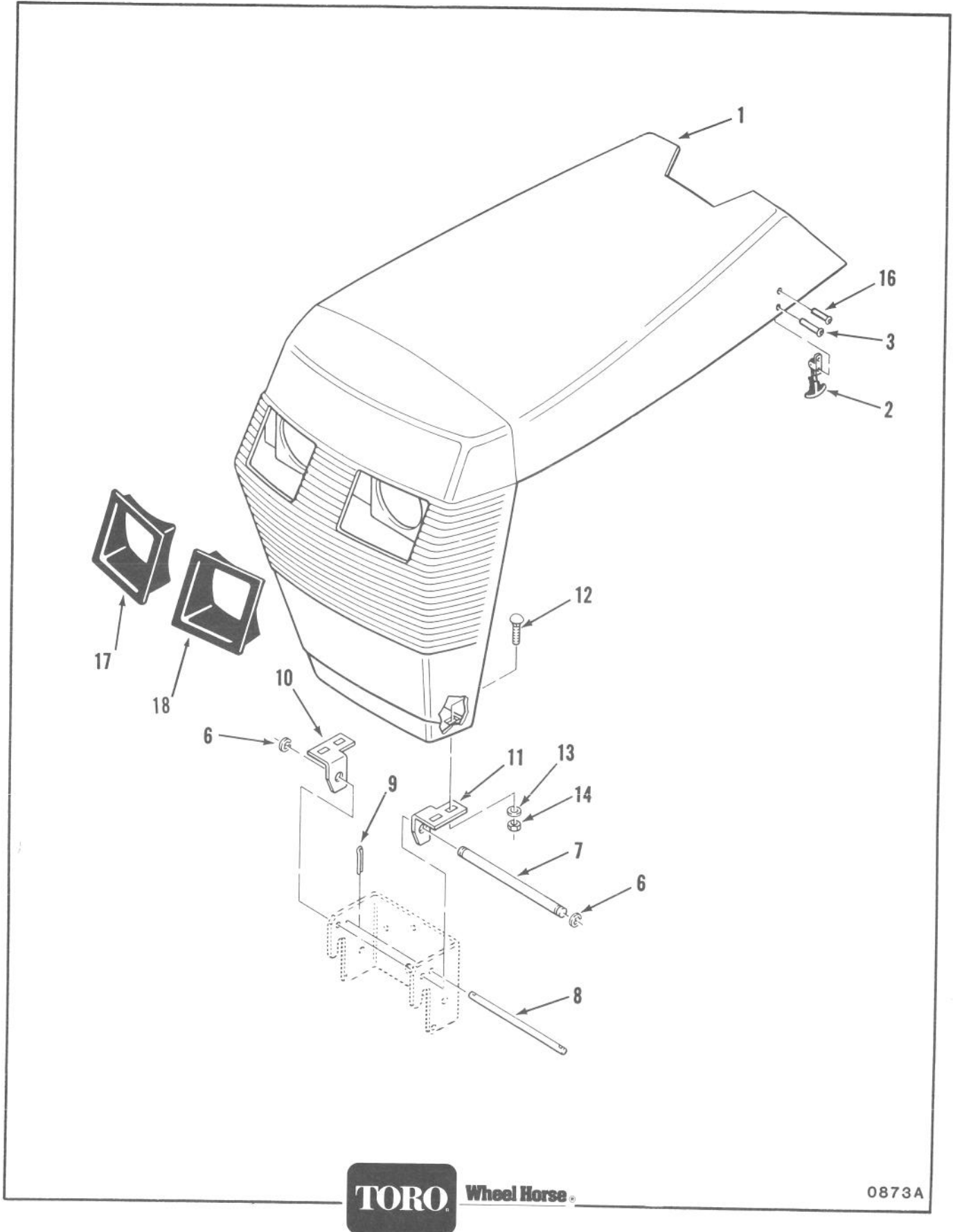
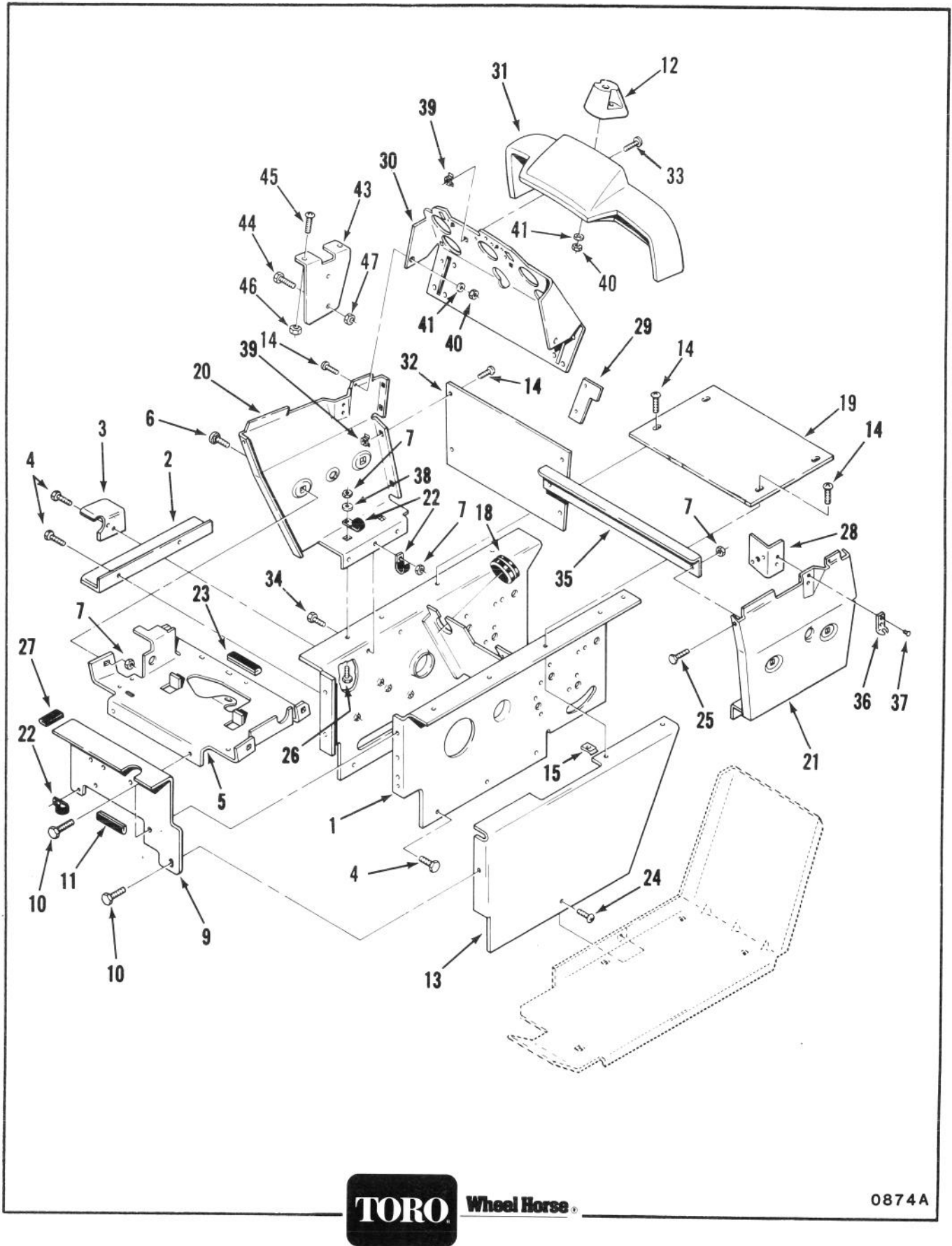


Figure 8-1 Sheet Metal And Covers

SECTION 8 - SHEET METAL AND COVERS

ITEM	PART NUMBER	DESCRIPTION	QUANTITY
		Figure 8-1 SHEET METAL AND COVERS	
1	113968	Hood.....	1
2	117341	Hood Latch.....	2
3	117432	Pop Rivet 1/8 x .294.....	4
6	105797	E-Ring.....	2
7	116745	Pivot Rod.....	1
8	101850	Hood Stop Rod.....	1
9	932000	Cotter Pin 1/16 x 1/2.....	2
10	116746	Bracket RH.....	1
11	116747	Bracket LH.....	1
12	900015	Carriage Bolt 1/4-20 x 3/4.....	4
13	3256-22	Washer 1/4 SAE.....	4
14	3217-5	Eslok Nut 1/4-20.....	4
16	923784	Pop Rivet 1/8 x .232.....	2
17	109494	Retainer - Headlight RH.....	1
18	109495	Retainer - Headlight LH.....	1
		Not Illustrated	
	5983	Bushing.....	2

SECTION 8 - SHEET METAL AND COVERS



0874A

SECTION 8 - SHEET METAL AND COVERS

ITEM	PART NUMBER	DESCRIPTION	QUANTITY
Figure 8-2 SHEET METAL AND COVERS			
1	116327	Hoodstand	1
2	114871	Belt Support Bracket	1
3	106261	Belt Bracket	1
4	926694	ST Bolt 5/16-18 x 5/8.....	1
5	116309	Battery Support Bracket 520-H	1
6	900037	Carriage Bolt 5/16-18 x 3/4	4
7	3296-29	Esllok Nut 5/16-18.....	4
9	113938	Front Plate.....	1
10	926694	ST Bolt 5/16-18 x 5/8.....	6
11	106454	Edge Trim.....	1
12	118410	Steering Cover 520-H.....	1
13	116297	Side Cover LH 520-H	1
14	9108372	Screw 1/4-20 x 5/8 Black.....	6
15	107069	Speed Nut	6
18	104248	Grommet	1
19	78-5711	Shift Cover Plate 520-H.....	1
20	113962	RS Panel	1
21	114432	LS Panel.....	1
22	8830	Clip	1
23	110142	Edge Trim.....	1
24	910837	Screw 1/4-20 x 5/8	1
25	908015	Bolt 5/16 - 18 x 1/2	2
26	900036	Bolt 5/16 - 18 x 5/8	4
27	102896	Edge Trim.....	1
28	114628	Switch Bracket.....	1
29	114641	Choke Stop.....	1
30	117267	Dash Panel 520-H.....	1
31	121357	Console Cover Kit - 520-H (Contains #115620 5-gauge cover, #118410 Steering Cover, (4) 118780 Screw #6 Plastite, & (4) 920270 Washers)	1
32	116862	Rear Hoodstand Plate 520-H	1
33	910839	Screw 1/4-20 x 7/8	1
34	908016	Bolt 5/16-18 x 5/8	6
35	113932	Stiffner Panel.....	1
36	117343	Latch Keeper (Included in 106825 Hood Latch).....	2
37	923786	LS Pop Rivet 1/8 x .35.....	2
	117433	RS Pop Rivet 1/8 x .294	2
38	3256-23	Washer 5/16 SAE.....	4
39	32115-5	Speed Nut	8
40	3296-42	E.S. Nut 1/4-20.....	6
41	3256-22	Washer 1/4	6
43	117191	Fuse Holder Bracket.....	1
44	910794	Screw #10 -24 x 3/4	2
45	908002	Screw #10 -24 x 5/8	2
46	915740	E.S. Nut #10-24.....	2
47	3296-42	E.S. Nut 1/4-20.....	2

SECTION 8 - SHEET METAL AND COVERS

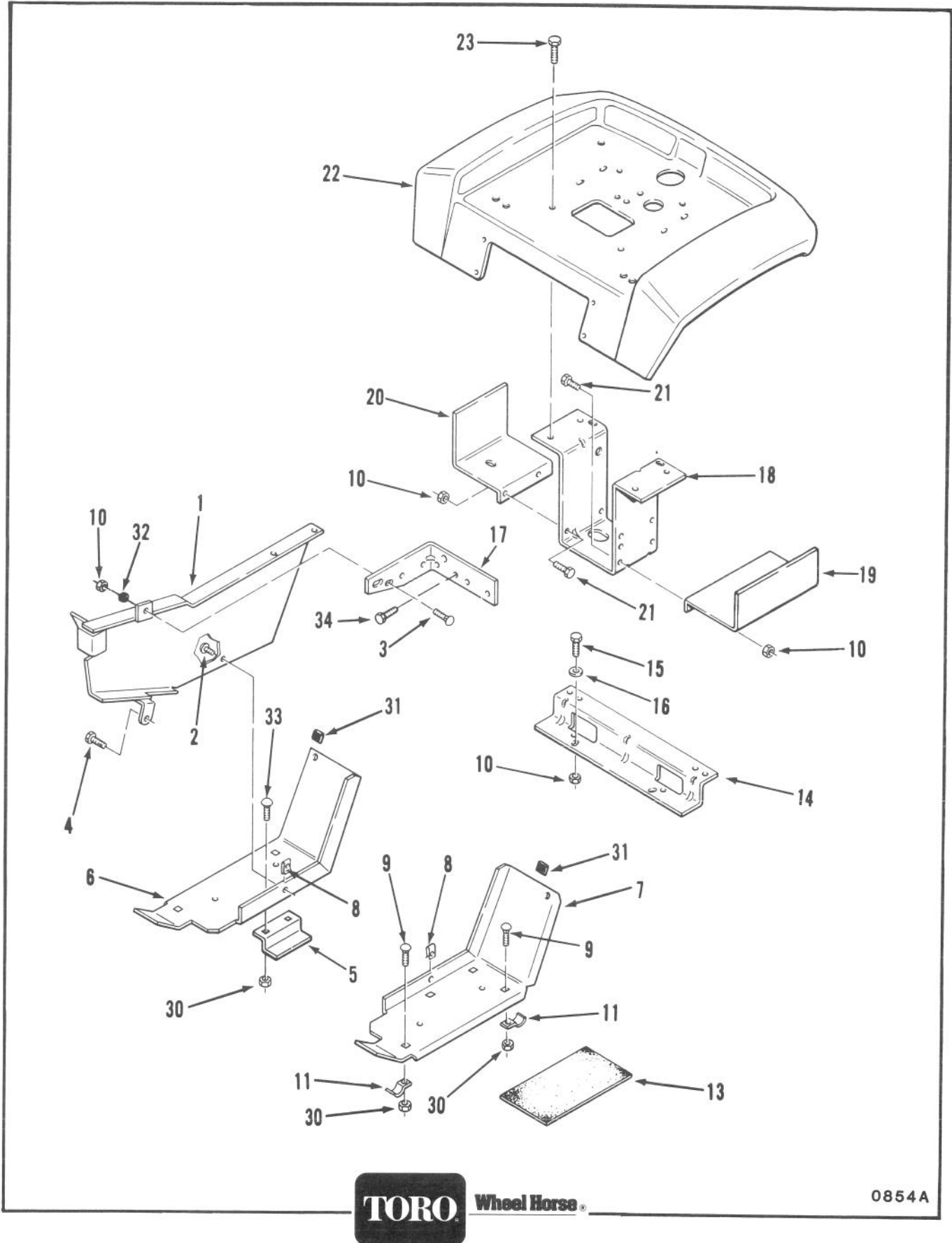


Figure 8-3 Sheet Metal And Covers

SECTION 8 - SHEET METAL AND COVERS

ITEM	PART NUMBER	DESCRIPTION	QUANTITY
		Figure 8-3 SHEET METAL AND COVERS	
1	121120	Belt Guard	1
2	910837	Screw 1/4-20 x 5/8	2
3	116000	Carriage Bolt 5/16-18 x 3/4	1
4	926694	ST Bolt 5/16-18 x 5/8.....	1
5	106352	Lower Belt Guard	1
6	106222	Foot Rest RH.....	1
7	106223	Foot Rest LH	1
8	107069	Clip	2
9	116000	Carriage Bolt 5/16-18 x 3/4	6
10	3296-29	E.S. Nut 5/16-18.....	7
11	7456	Clamp	4
13	110636	Footrest Pad.....	2
14	107951	Fender Bracket-Front	1
15	908019	Bolt 5/16-18 x 1	2
16	3256-23	Washer 5/16 SAE	2
17	109554	Support Bracket-Belt Guard	1
18	108897	Fender Support Bracket	1
19	108464	Fuel Tank Support LH	1
20	106236	Fuel Tank Support RH.....	1
21	322-3	Bolt 5/16-18 x 3/4	4
22	110960	Fender	1
23	926694	ST Bolt 5/16-18 x 5/8.....	4
30	3296-29	Eslok Nut 5/16-18.....	6
31	518211	Bumper	2
32	108457	Push Nut.....	1
33	900214	Carriage Bolt 5/16-18 x 3/4	2
34	910794	Machine Screw #10-24 x 3/4.....	2

SERVICE INTERVALS

OIL CHANGE- 50 HRS.

OIL FILTER CHANGE - 100 HRS.

OIL CAPACITY - 1-1/2 QTS.

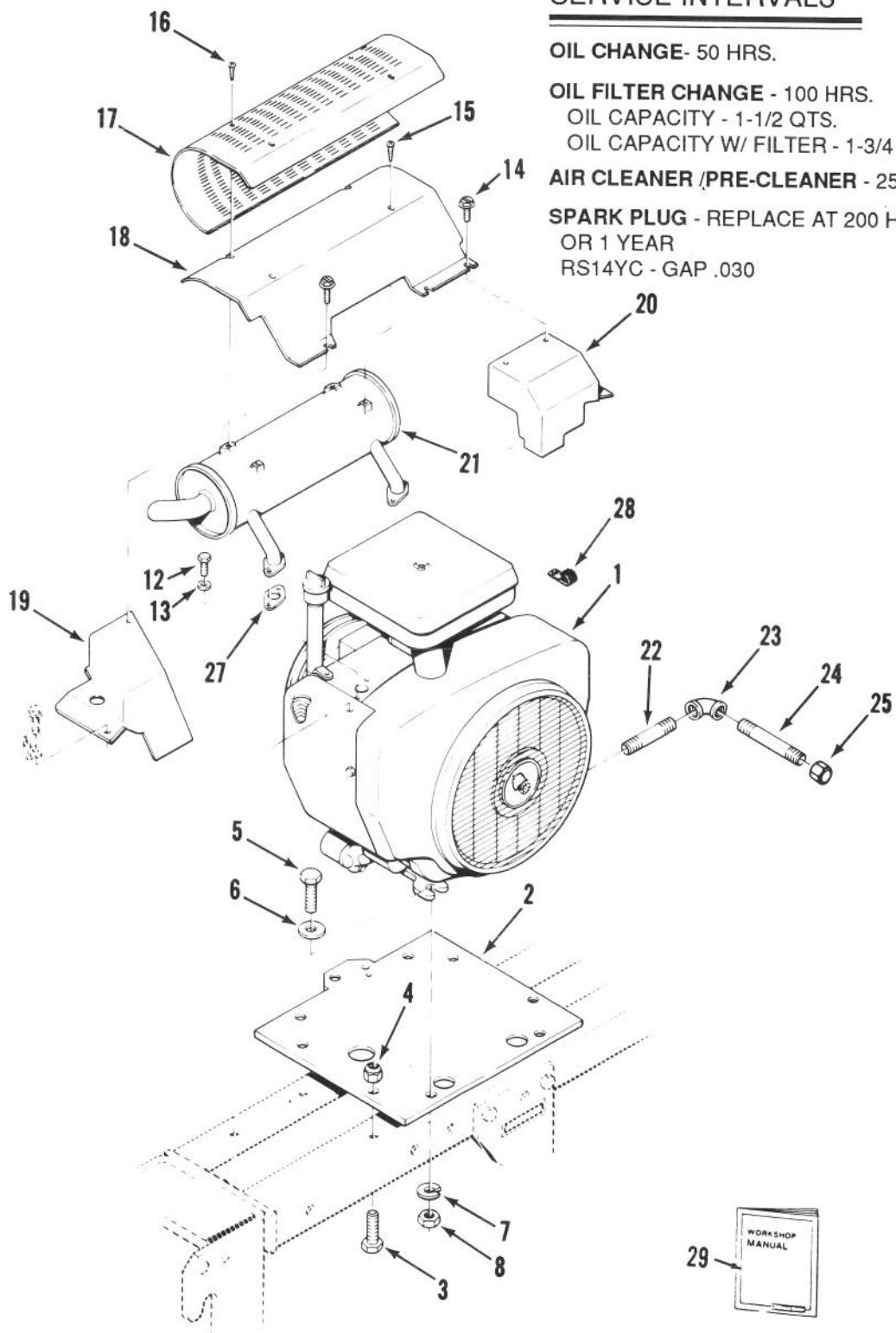
OIL CAPACITY W/ FILTER - 1-3/4 QTS

AIR CLEANER /PRE-CLEANER - 25 HRS.

SPARK PLUG - REPLACE AT 200 HRS.

OR 1 YEAR

RS14YC - GAP .030



REFER TO TORO POWER PLUS SERVICE MANUAL FOR ADDITIONAL SERVICE INFORMATION



0981A

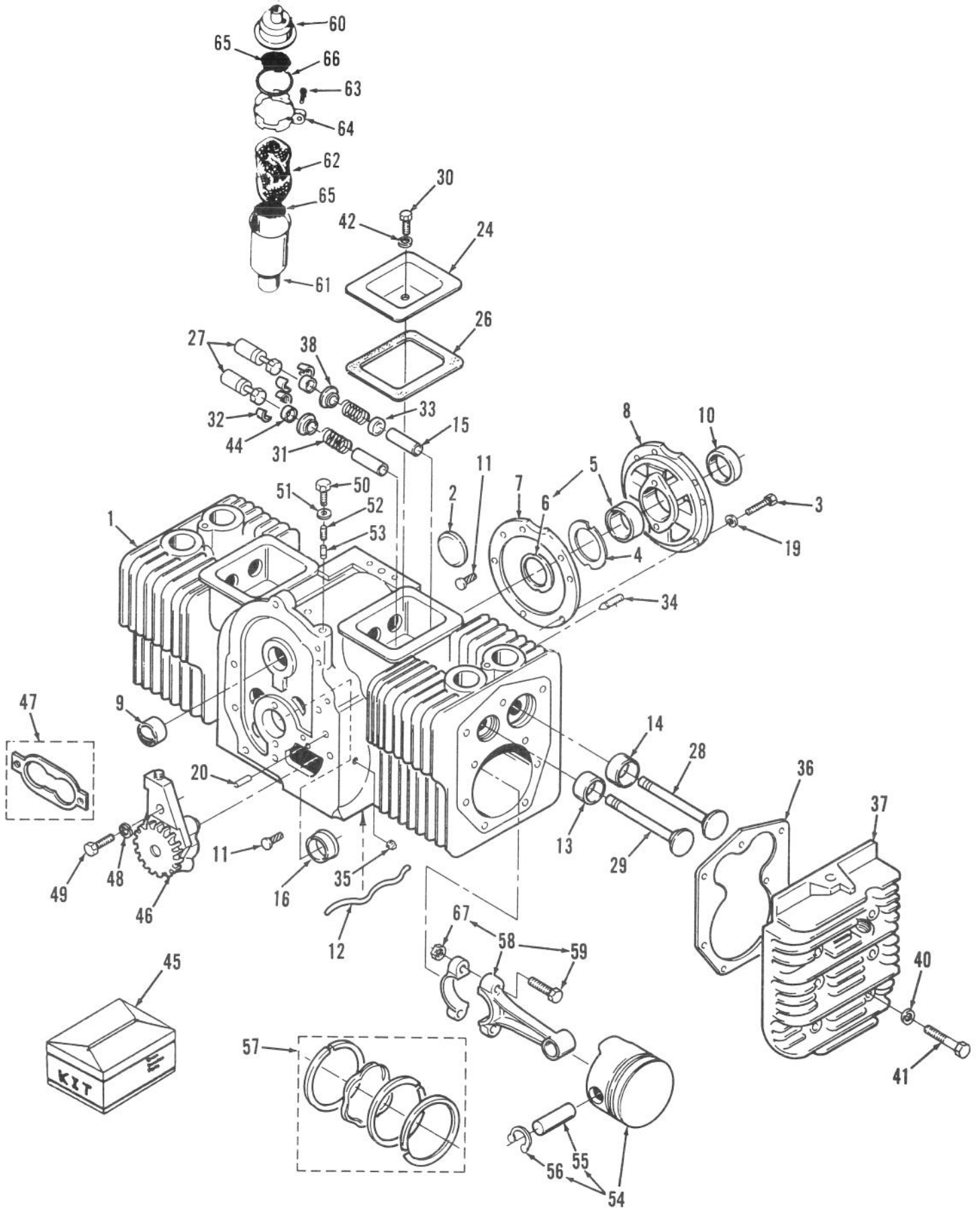
SECTION 9 - ENGINES AND EXHAUST

ITEM	PART NUMBER	DESCRIPTION	QUANTITY
		Figure 9-1 ENGINES	
1	117261	Engine - TORO Power Plus - 20HP P220G-I/10955C 520-H	1
2	116609	Engine Plate	1
3	323-7	Bolt 3/8-16 x 1 1/4	4
4	3296-39	E.S. Nut 3/8-16	4
5	323-8	Bolt 3/8-16 x 1 1/4	4
6	3256-24	Washer 3/8 SAE	4
7	920083	Lockwasher 3/8	4
8	915113	Eslok Nut 3/8-16	4
12	322-3	Bolt 5/16-18 x 3/4	4
13	3253-4	Lockwasher 5/16	4
14	908001	Bolt 1/4 - 20 x 1/2	3
15	910331	Screw #10 - 24 x 3/8	4
16	114888	Stainless Screw #10-24 x 3/8	8
17	115783	Stainless Muffler Cover	1
18	114217	Air Deflector	1
19	114215	LH Exhaust Cover	1
20	114216	RH Exhaust Cover	1
21	116471	Muffler 520-H	1
22	114636	Pipe 3/8 x 3	1
23	114764	Elbow 90°	1
24	114763	Pipe 3/8 x 4	1
25	5224	Cap	1
27	114214	Exhaust Gasket	2
28	8830	Clip	1
29	810697R1	TORO Power Plus Service And Repair Manual	1

SECTION 9 - TORO POWER PLUS ENGINE CYLINDER BLOCK

ITEM	PART NUMBER	DESCRIPTION	QUANTITY
		Figure 9-2 ENGINE CYLINDER BLOCK	
1	79-6290	Block, Cylinder (See Short Block Catalog #932-0109).....	1
2	NN10536	Plug, Welch - Camshaft Opening (1-5/8") - Non-Plated	1
3	82-1450	Screw, Cap - Flanged Head (3/8-16 x 1-1/8")	5
4	57-8170	Shim, Crankshaft End Play (.005")	AR
5		Bearing, Crankshaft - Rear (Includes Thrust Washer)	
	NN-10001	Standard	1
	59-6020	.002" Undersize	1
	57-8060	.010" Undersize	1
	59-0030	.020" Undersize	1
	59-0040	.030" Undersize	1
6	NN10476	Washer, Thrust.....	2
7	57-8010	Gasket, Bearing Plate	1
8	57-8040	Plate, Bearing - Rear	1
9	NN-10001	Bearing, Camshaft.....	2
10	57-9590	Seal, Oil - Crankshaft Rear	1
11	59-0730	Pin, Drive - Bearing Stop	4
12	NN10139	Tube, Oil - Cylinder Block.....	1
13		Insert, Valve Seat - Exhaust	
	79-6180	Standard	2
	79-6190	.002" Oversize	2
	79-6200	.005" Oversize	2
	79-6210	.010" Oversize	2
	79-6220	.025" Oversize	2
14		Insert, Valve Seat - Intake	
	79-6230	Standard	2
	79-6240	.002" Oversize	2
	79-6250	.005" Oversize	2
	79-6260	.010" Oversize	2
	79-6270	.025" Oversize	2
15	NN10084	Guide, Valve - Exhaust.....	2
	NN10479	Guide, Valve - Intake.....	2
16		Bearing, Crankshaft - Front (Flanged)	
	57-8020	Standard	1
	57-9360	.002" Undersize	1
	57-8030	.010" Undersize	1
	57-0010	.020" Undersize	1
	57-0040	.030" Undersize	1
19	82-1640	Washer	5
	82-1310	Washer, Lock (3/8")	5
20	59-0750	Pin, Alignment - Gear Cover	2
24	NN10821	Cover, Valve - RH - Zinc-Plated	2
26	57-8280	Gasket, Valve Cover	2
27		Tappet, Valve	
	57-8450	Standard	4
	59-0260	.002" Oversize	4
	59-0270	.005" Oversize	4
28	NN10075	Valve, Intake.....	2
29	NN10076	Valve, Exhaust	2
30	NN10370	Screw, Cap - Hex Head (1/4-20 x 1-3/4").....	2

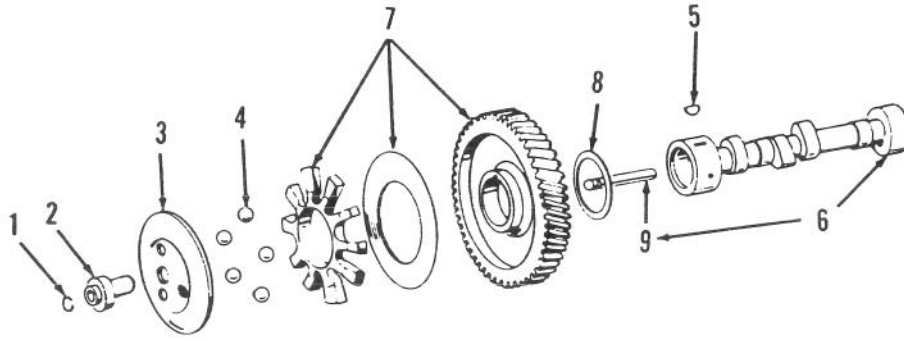
SECTION 9 - TORO POWER PLUS ENGINE CYLINDER BLOCK



SECTION 8 - TORO POWER PLUS ENGINE CYLINDER BLOCK

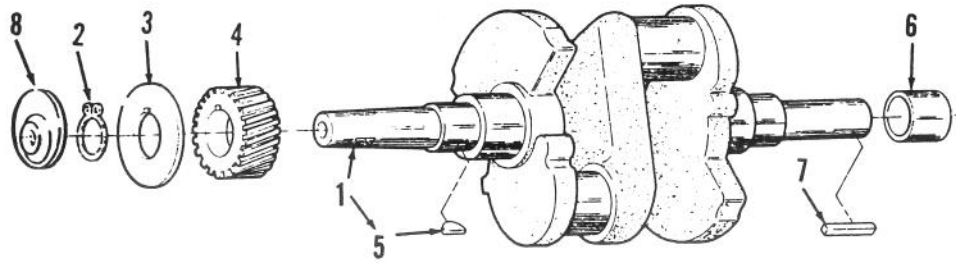
ITEM	PART NUMBER	DESCRIPTION	QUANTITY
		Figure 9-2 ENGINE CYLINDER BLOCK (CONT'D)	
31	NN10077	Spring, Valve	4
32	NN10082	Lock, Valve Spring	8
33	79-6430	Seal, Valve - Intake	2
34	NN10385	Screw, Socket - Set (3/8-16 x 5/8")	2
35	NN10307	Plug, Pipe	1
36	NN10070	Gasket, Cylinder Head	2
37	79-6280	Head, Cylinder.....	2
	NN10080	Right Side	1
	NN10090	Left Side	1
38	NN10078	Washer, Valve Spring-Retg	4
40	57-9770	Washer, Flat (5/16" Screw)	18
41	NN10381	Screw, Cap - Hex Head (Special) 2.0" Long	18
42	NN10359	Washer, Flat - Copper (1/4" Screw)	2
44	71-5830	Cap, Valve	4
45		Kit, Gasket	1
	201280	Engine, Complete	1
	57-9370	Valve Grind/Carbon Removal.....	1
46	57-8480	Pump, Oil.....	1
47	57-8460	Gasket Kit, Oil Pump	1
48	82-1340	Washer, Flat (M6).....	2
49	82-1370	Screw, Cap - Hex Head (1/4-20x1")	2
50	59-0910	Screw, Cap - Hex Head (3/8-24x7/8")	1
51	NN10361	Washer, Flat - Copper (3/8" Screw)	1
52	57-8500	Spring, Bypass Valve	1
53	57-8470	Plunger, Bypass Valve	1
54		Piston (Includes Pin and Retaining Rings)	
	57-8350	Standard	2
	59-0190	.005" Oversize	2
	57-8360	.010" Oversize	2
	57-8370	.020" Oversize	2
	59-0200	.030" Oversize	2
55	NN10100	Pin, Piston	2
56	57-9720	Ring, Retaining.....	4
57		Kit, Ring - Piston	2
	NN10101	Standard.....	2
	NN10102	.005" Oversize	2
	NN10103	.010" Oversize	2
	NN10104	.020" Oversize	2
	NN10105	.030" Oversize	2
58		Rod, Connecting (Includes Bolt and Nut)	
	57-8420	Standard.....	2
	57-8430	.010" Undersize	2
	57-8440	.020" Undersize	2
	59-0250	.030" Undersize	2
59	57-8410	Bolt, Connecting Rod (Special)	4
60	82-0550	Cap and Valve, Breather	1
61	82-0540	Tube, Breather	1
62	57-8580	Baffle, Breather Tube	1
63	82-1480	Screw, Tapping - Round Head (#8 x 3/4").....	1
64	82-0530	Clamp, Loop - Breather Tube Cap	1
65	82-0560	Screen, Breather Tube	2
66	82-0570	Seal, O-Ring - Breather Cap	1
67	NN10428	Nut, Hex - Crown Lock	4
	59-0770	Plug, Breather Hole (Not Shown)	1
	59-0780	Stud, Belt Guard Mounting (Not Shown)	2

SECTION 9 - TORO POWER PLUS CAMSHAFT



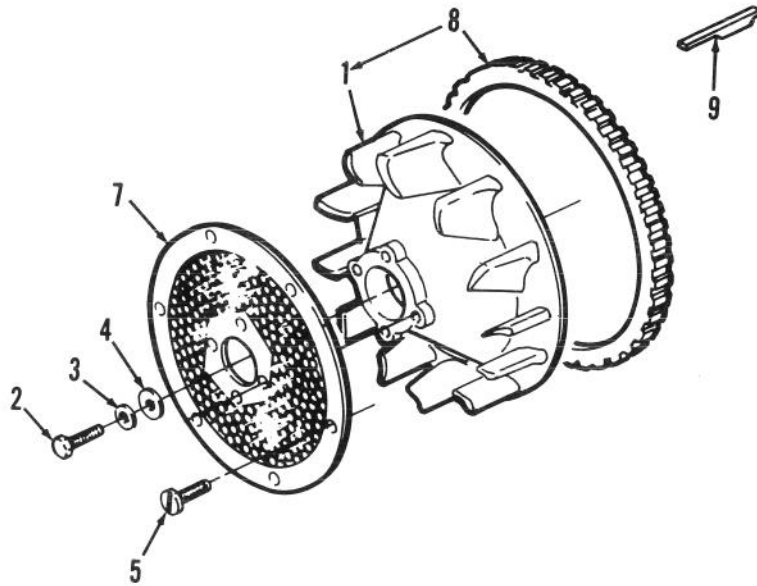
ITEM	PART NUMBER	DESCRIPTION	QUANTITY
Figure 9-3 TORO POWER PLUS CAMSHAFT			
1	57-9090	Ring, Retaining.....	1
2	57-9130	Hub, Governor Cup	1
3	59-0450	Cup, Governor	1
4	NN10328	Ball, Governor	1
5	57-9660	Key, Woodruff - Camshaft Gear	1
6	NN10033	Camshaft (Includes Center Pin)	1
7	57-8210	Gear, Camshaft (Includes Gear, Spacer And Plate)	1
8	NN10030	Washer, Thrust - Special	1
9	59-0400	Pin, Center	1

SECTION 9 - TORO POWER PLUS CRANKSHAFT



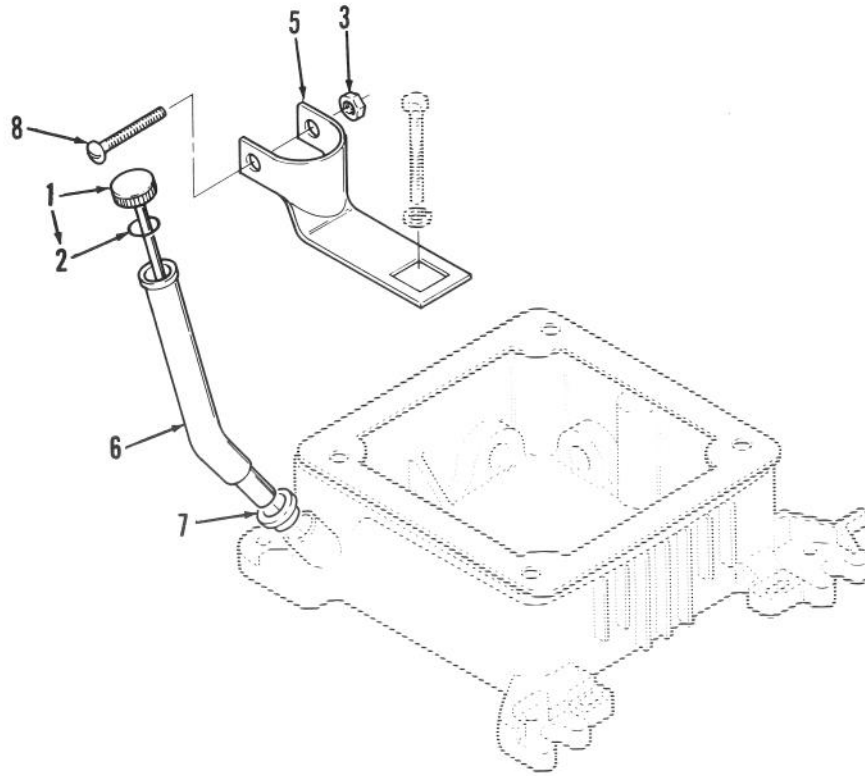
ITEM	PART NUMBER	DESCRIPTION	QUANTITY
TORO POWER PLUS CRANKSHAFT			
1	NN10773	Crankshaft	1
2	57-9710	Ring, Retaining	1
3	NN10439	Washer, Gear Retaining - Special	1
4	NN10438	Gear, Crankshaft	1
5	NN10330	Key, Crankshaft Gear	1
7	NN10331	Key	1

SECTION 9 - TORO POWER PLUS BLOWER WHEEL & WITH SCREEN



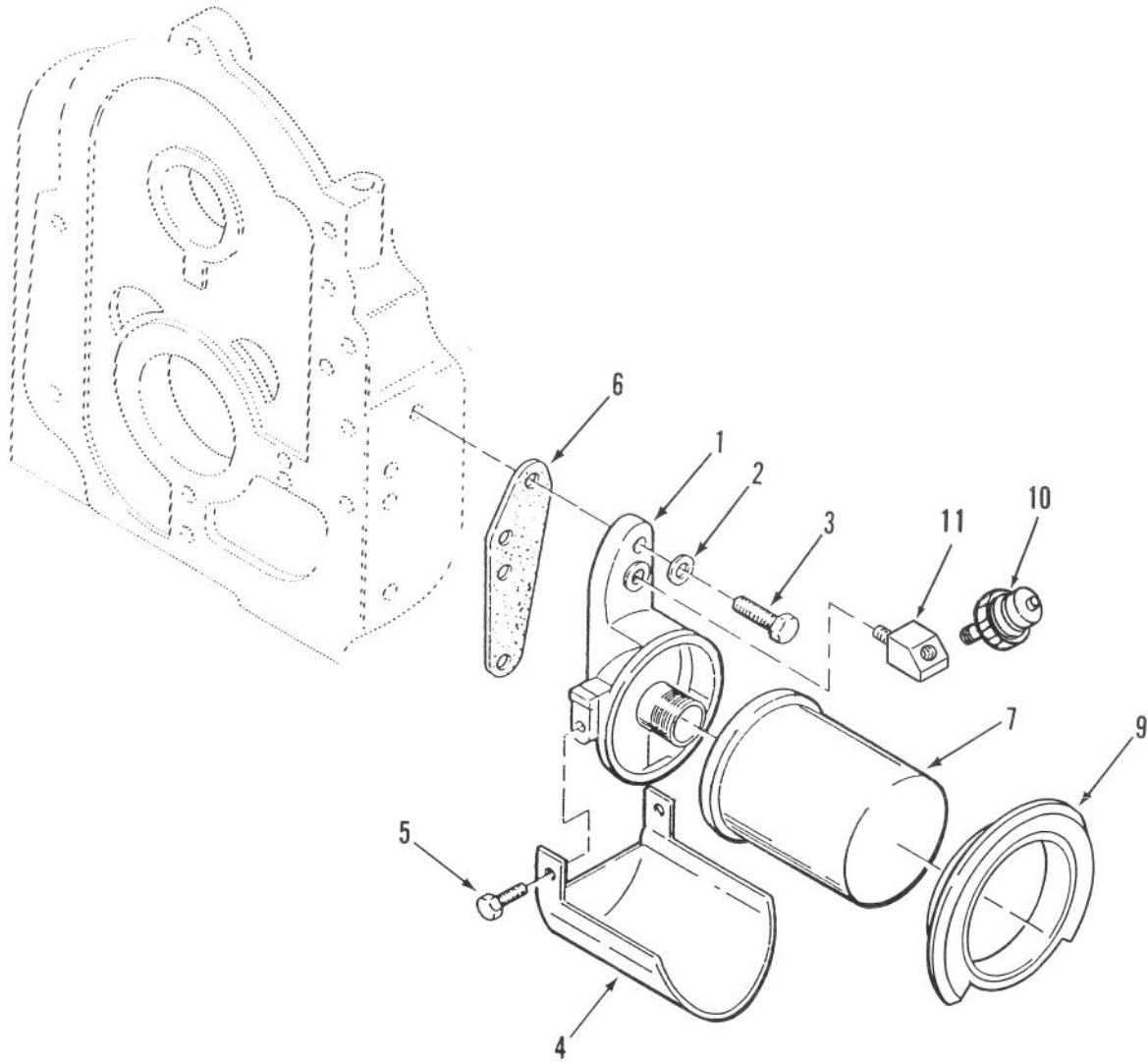
ITEM	PART NUMBER	DESCRIPTION	QUANTITY
TORO POWER PLUS BLOWER WHEEL WITH SCREEN			
1	NN10171	Flywheel (Includes Ring Gear)	1
2	NN10021	Screw, Cap - Hex Head (Special)	1
3	82-1320	Washer, Flat (7/16" Screw)	1
4	59-0810	Washer, Flat (7/16" Screw)	1
5	NN10409	Screw, Lock Head - Flange (#10-24 x 3/8")	6
7	79-6440	Screen, Air Inlet	1
8	NN10024	Gear, Ring	1
9	NN10332	Key, Flywheel	1

SECTION 9 - TORO POWER PLUS OIL FILL TUBE AND BRACKET



ITEM	PART NUMBER	DESCRIPTION	QUANTITY
Figure 9-4 TORO POWER PLUS OIL FILL TUBE AND BRACKET			
1	NN10159	Cap and Indicator, Oil Fill (Includes O-Ring)	
	79-6450	1.75 Quart Capacity Dipstick Specifies Pints - 16.27" Long	1
	79-6450	1.75 Quart Capacity Dipstick Specifies Quarts - 18.3" Long	1
2	57-9610	O-Ring, Oil Fill Cap	1
3	82-1700	Nut, Speed (Type U)	1
5	79-6460	Bracket, Fill Tube - Zinc Plated	1
6	NN10448	Tube, Oil Fill - 15.75" Long - Painted	1
7	NN10690	Seal, Oil Fill Tube	1
8	82-1560	Screw, Pan Head (#10 x 1-1/4")	1

SECTION 9 - TORO POWER PLUS OIL FILTER



1913

SECTION 9 - TORO POWER PLUS OIL FILTER

ITEM	PART NUMBER	DESCRIPTION	QUANTITY
Figure 9-5 TORO POWER PLUS OIL FILTER & LOW OIL PRESSURE CUT-OFF SWITCH			
1	82-0500	Adapter, Oil Filter	1
2	57-9760	Washer, Flat - Copper (5/16" Screw)	2
3	82-1390	Screw, Cap - Hex Head (5/16-18 x 1")	2
4	NN10894	Drain, Oil Filter	1
5	82-1510	Screw, Cap - Hex Head W/ET (#10-32 x 3/8")	2
6	79-6470	Gasket, Oil Filter Adapter	1
7	NN10147	Oil Filter	1
10		Switch, Low Oil Pressure	1
	NN10824	2 Terminal - Normally Open - 2" Long	1
11	59-0640	Elbow, Street - 45°	1
15*	82-0680	Gasket Oil Filter	1

* Not Illustrated

SECTION 9 - TORO POWER PLUS GEARCASE AND IGNITION CONTROLS

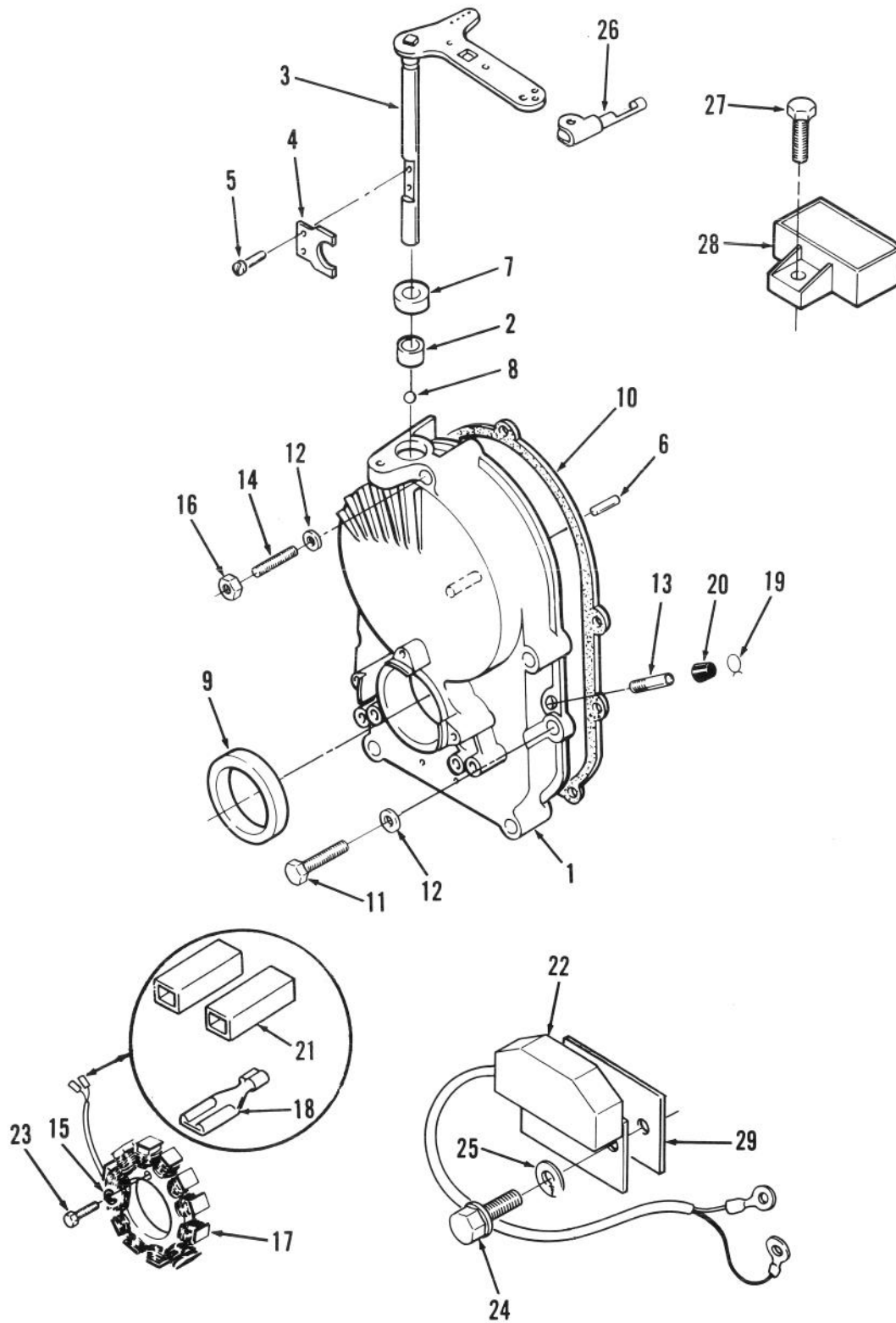


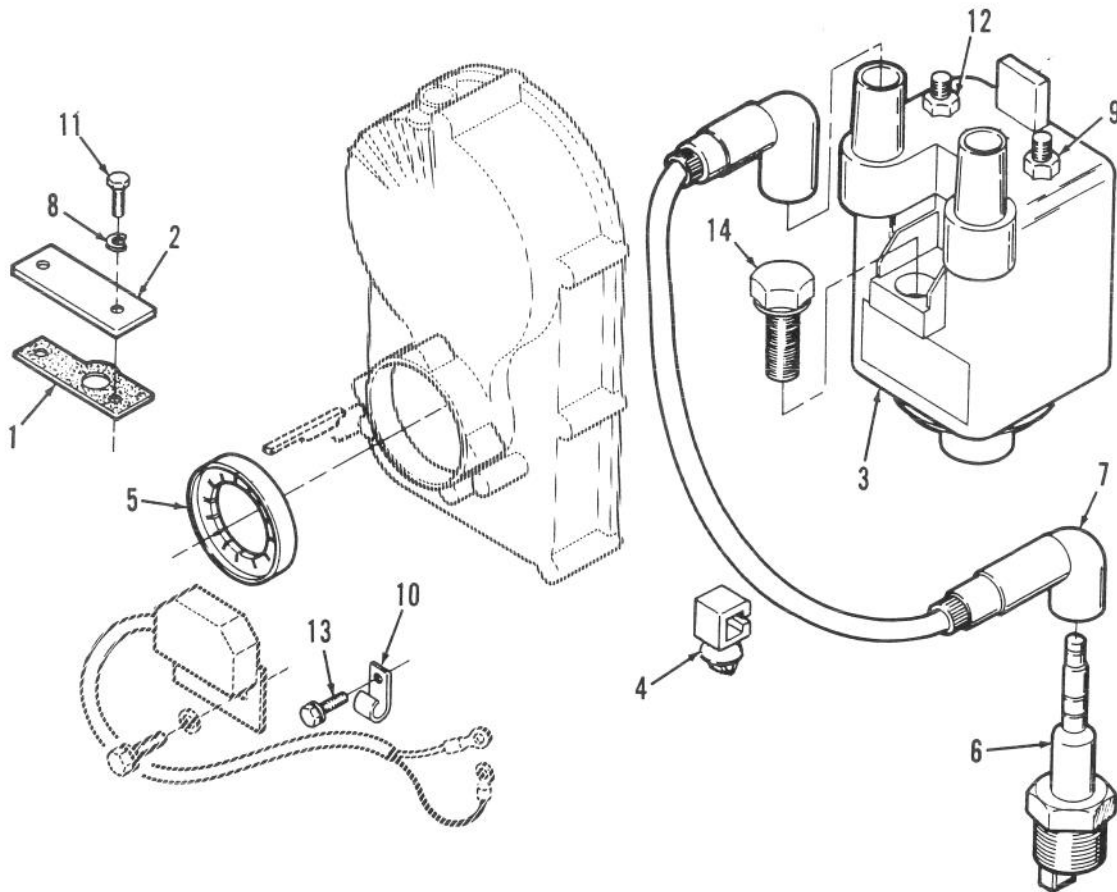
Figure 9-6 Toro Power Plus Gearcase and Ignition Controls

SECTION 9 - TORO POWER PLUS GEARCASE AND IGNITION CONTROLS

ITEM	PART NUMBER	DESCRIPTION	QUANTITY
Figure 9-6 TORO POWER PLUS GEARCASE, IGNITION CONTROL, ALTERNATOR AND REGULATOR			
1	NN10825	Gearcase (Kit) (Includes Parts Marked*).....	1
2	NN10329	*Bearing, Governor Shaft	1
3	NN10826	*Shaft and Arm, Governor	1
4	59-0420	*Yoke, Governor Shaft	1
5	NN10388	*Screw, Machine - Pan Head (8-32 x 3/8").....	2
6	59-0740	*Pin, Dowel - Governor Cup Stop.....	1
7	57-9570	*Seal, Oil - Governor Shaft.....	1
8	NN10327	*Ball, Bearing - Governor Shaft	1
9	57-9580	*Seal, Oil - Crankshaft.....	1
10	NN10895	Gasket, Gearcase Mounting.....	1
11	82-1410	Screw, Cap - Hex Head (5/16-18 x 1-3/4").....	4
12	57-9750	Washer, Flat - Copper (5/16" Screw)	5
13	NN10210	*Tube, Vacuum Port (1.5" Long)	1
14	79-6480	Stud, Gear Cover	1
15	82-1610	Washer, Lock (#10)	3
16	59-1130	Nut, Hex (5/16-18).....	1
17	NN10518	Stator (Includes Terminals)	1
18	NN10290	Terminal, Stator Leads	2
19	57-9550	*Clamp, Vacuum Port Cap	1
20	59-0370	*Cap, Vacuum Port.....	1
21	82-1000	Body, Terminal Connector Kit (Includes Terminals).....	2
22	NN10444	Control, Ignition	1
23	82-1500	Screw, Machine - Hex Head Self-Lock (#10-32x1")	3
24	NN10394	Screw, Hex Washer Head (10-32x3/8")	2
25	82-1660	Washer, Lock - IT (#10).....	2
26	57-9730	Clip, Retaining - Control Rod To Governor Shaft	1
27	59-1080	Screw, Cap - Hex Washer Head (1/4-20x5/16").....	1
28	NN10261	Regulator, Voltage - 20 Amp	1
29	NN10516	Insulator, Ignition - Module	1

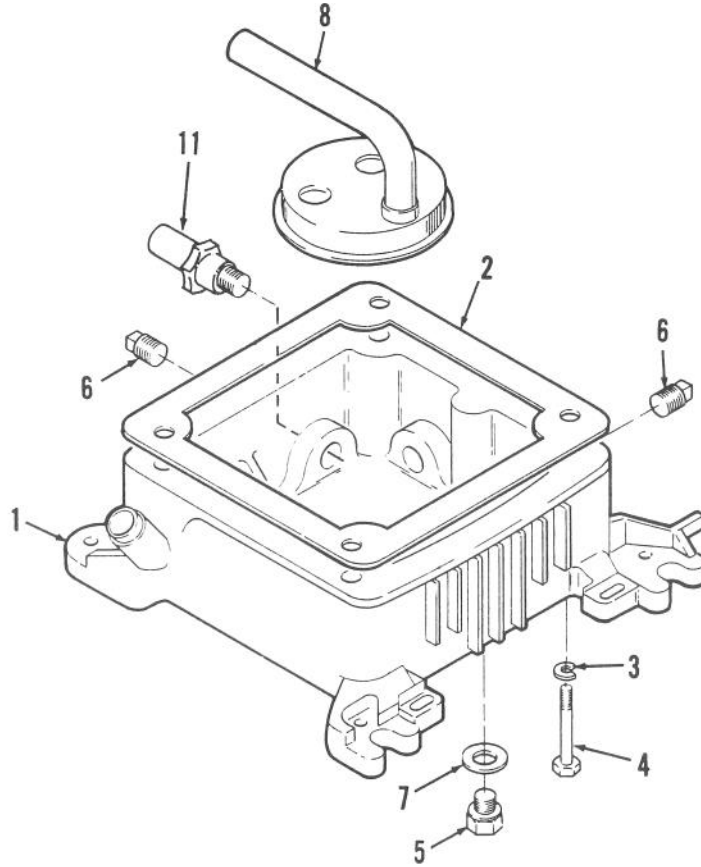
* - Parts Included in Gearcase.

SECTION 9 - TORO POWER PLUS GEARCASE AND IGNITION CONTROLS



ITEM	PART NUMBER	DESCRIPTION	QUANTITY
TORO POWER PLUS IGNITION - ELECTRONIC			
1	79-6490	Gasket, Plate.....	1
2	71-5990	Plate, Ignition Plunger Cover - Zinc Plated	1
3	71-6000	Coil, Battery Ignition (Includes Nuts)	1
4	NN10522	Clip, Wire (Attach To #1 Spark Plug Wire)	1
5	71-6010	Rotor, Ignition	1
6	NN10517	Plug, Spark.....	2
7	59-9350	Cable, Spark Plug	2
8	82-1340	Washer, Flat (M6).....	2
9	NN10248	Nut, Hex Flange (M4 Positive Terminal)	1
10	71-6220	Clip, Wire.....	2
11	NN10368	Screw, Cap Hex Head (1/4-20 x 5/8")	2
12	NN10249	Nut, Hex Flange (M5 Negative Terminal)	1
13	NN10396	Screw, Hex Washer Head (1/4-20 x 1")	1
14	NN10408	Screw, Hex Washer Head (1/4-20 x 1")	2

SECTION 9 - TORO POWER PLUS OIL BASE



ITEM	PART NUMBER	DESCRIPTION	QUANTITY
TORO POWER PLUS OIL BASE			
1	NN10018	Base, Oil (Includes All Plugs and Plug Gasket)	1
2	57-8090	Gasket, Oil Base	1
3	82-1310	Washer, Flat (3/8" Screw)	4
4	NN10379	Screw, Cap - Hex Head (3/8-16 x 3-3/4")	4
5	NN10015	Plug-Hex Head, Special	1
6	82-1130	Plug, Square Head (3/8")	2
7	57-8070	Gasket, Hex Head Plug	1
8	NN10138	Cup, Intake - Oil Pump	1

SECTION 9 - TORO POWER PLUS AIR CLEANER

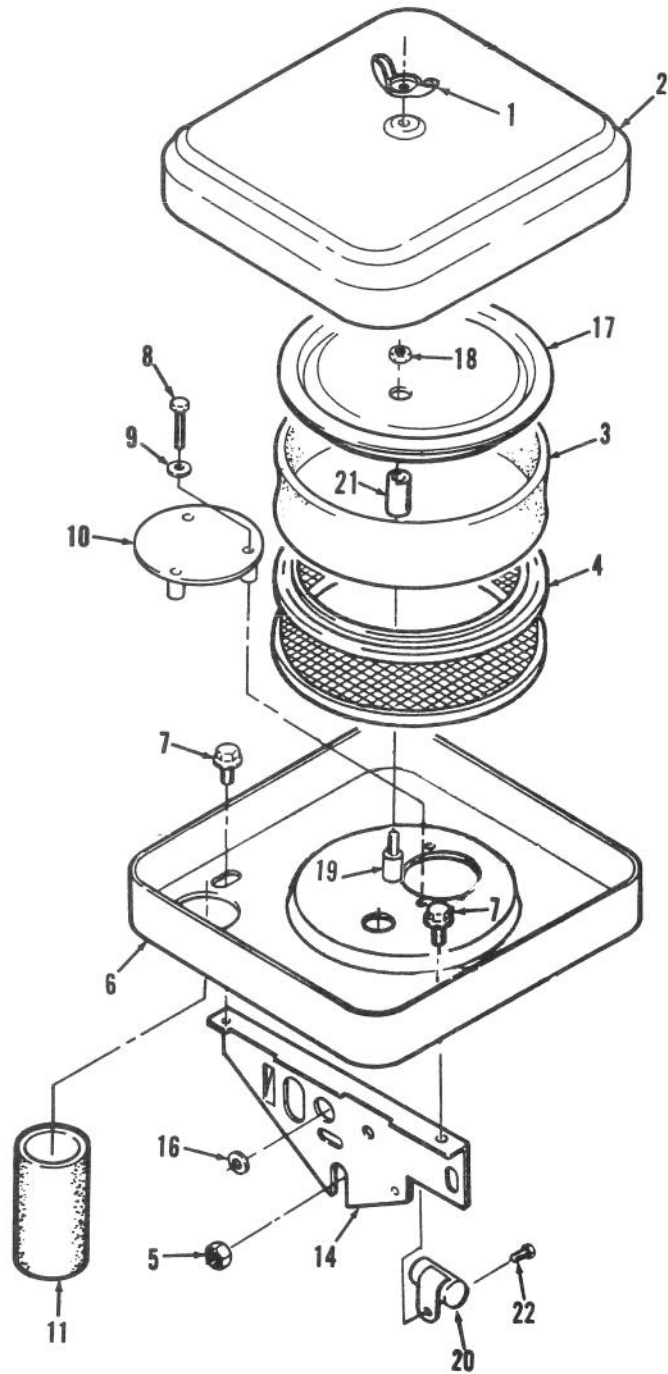


Figure 9-7 Toro Power Plus Air Cleaner

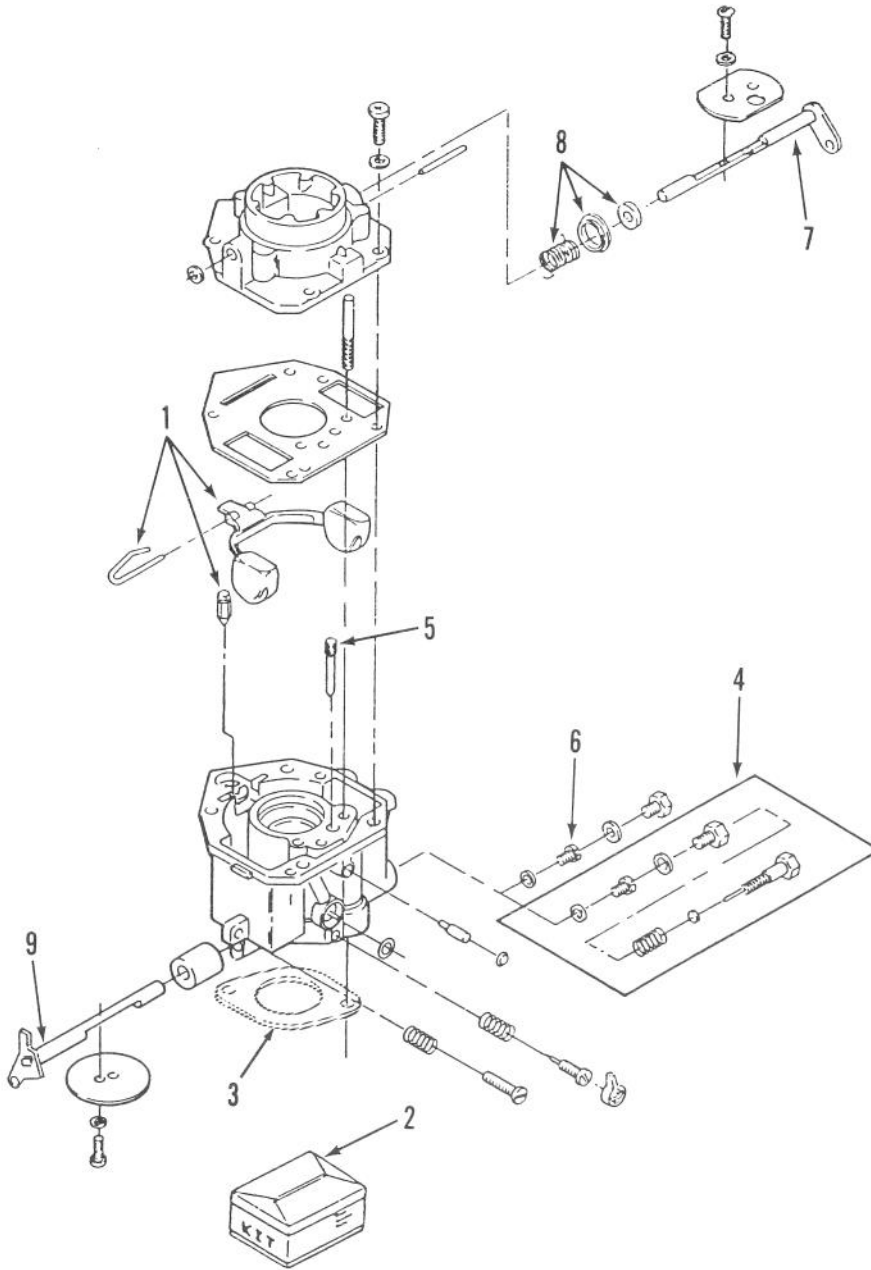
SECTION 9 - TORO POWER PLUS AIR CLEANER

ITEM	PART NUMBER	DESCRIPTION	QUANTITY
		Figure 9-7 TORO POWER PLUS AIR CLEANER	
1	82-1670	Nut, Wing (1/4-20)	1
2	79-6320	Cover, Air Cleaner - Painted	1
3	NN10176	Wrapper, Air Cleaner Element	1
4	NN10774	Element, Air Cleaner	1
5	82-1640	Nut, Hex Washer Head Flanged (5/16-18)	1
6	79-6500	Housing, Air Cleaner	1
7	82-1550	Screw, Tapping - Hex Washer Head (1/4-20 x 3/8")	2
8	NN10398	Screw, Hex Head - Machine (#10-32 x 1-1/2")	2
9	NN10365	Washer, Flat (#10 Screw)	3
10	NN10193	Plate, Air Deflector	1
11	82-0700	Tube, Air Intake - 3.5" Long	1
14	79-6340	Support, Air Cleaner	1
16	71-6140	Grommet, Rubber (3/4" Hole)	1
17	82-0650	Cover, Element	1
18	82-1680	Nut, Hex (1/4-20)	1
19	82-0989	Spacer, Air Cleaner Stud	1
20	59-1180	Capacitor (Placed Horizontal)	1
21	79-6510	Spacer, Air Cleaner Stud - 1" Long	1
22	NN10390	Screw, Hex Washer Head - Thread Form (10-32 x 5/8")	1

SECTION 9 - TORO POWER PLUS INTAKE MANIFOLD

ITEM	PART NUMBER	DESCRIPTION	QUANTITY
		Figure 9-8 TORO POWER PLUS INTAKE MANIFOLD	
1	NN10855	Carburetor, Complete (Includes Mounting Gasket, Elbow and O-Ring) (See Separate Page for Components)	1
2	57-9200	Gasket, Carburetor To Manifold	1
4	82-1350	Washer, Flat (M8)	4
5	NN10242	Manifold, Intake	1
6	82-1350	Washer, Flat (M8)	2
7	82-1410	Screw, Cap - Hex Head (5/16-18 x 1-3/4")	2
8	NN10375	Screw, Cap - Hex Head (5/16-18 x 2")	4
9	NN10348	Clip, Wire - Fuel Line	1
10	71-5980	Gasket, Manifold To Block	2
11	82-1540	Screw, Hex Washer Head (1/4-14 x 1/2")	1
12	NN10342	Clip, Retaining - Control Rod To Carburetor	1
13	NN10897	Rod, Governor Control	1
14	57-9620	O-Ring	1
15	NN10362	Washer, Flat (5/16" Screw)	1
16		Hose, Fuel	
	NN10856	17" Long	1
	NN10857	15" Long	1
17	82-1120	Hose, Breather - 3.25" Long	1
18	82-1070	Fitting, Barbed	1
19	82-1080	Clamp, Hose - 1/2" Dia	2
	82-1090	Clamp, Hose - .44" Dia	1
20	NN10877	Spring, Governor Rod	1

SECTION 9 - TORO POWER PLUS CARBURETOR COMPONENTS



TORO Wheel Horse

1917

Figure 9-9 Toro Power Plus Carburetor Components

SECTION 9 - TORO POWER PLUS CARBURETOR COMPONENTS

ITEM	PART NUMBER	DESCRIPTION	QUANTITY
		Figure 9-9 TORO POWER PLUS CARBURETOR COMPONENTS - GASOLINE	
	NN10855	Carburetor, Complete (Includes Mounting Gasket)	1
1	NN10209	Kit, Float (Includes Float, Pin and Valve)	1
2	82-0780	Kit, Repair (Includes Screw and Plug Package, Gasket Package, Float Valve, Idle Adjust Needle and Spring, Mounting Gaskets, Idle Limit Cap).....	1
3	57-9200	Gasket, Carburetor Mounting	2
4	NN10858	Jet, Power - Fixed - Optional (High Altitude Application)	1
5	NN10853	Jet, Idle	1
6	57-9050	Jet, Power	1
7	NN10207	Kit, Shaft-Choke (Includes Choke Valve, Valve Set Screw and Air Filter)	1
8	NN10208	Kit, Lever-Choke (Includes Choke Lever Ring, Choke Spring and Choke Collar)	1
9	NN10811	Kit, Shaft-Throttle (Includes Valve Set Screw, Air Filter and Throttle Valve).....	1
11	82-0800	Solenoid, Fuel Cut-off.....	1

SECTION 9 - TORO POWER PLUS BLOWER HOUSING AND GOVERNOR

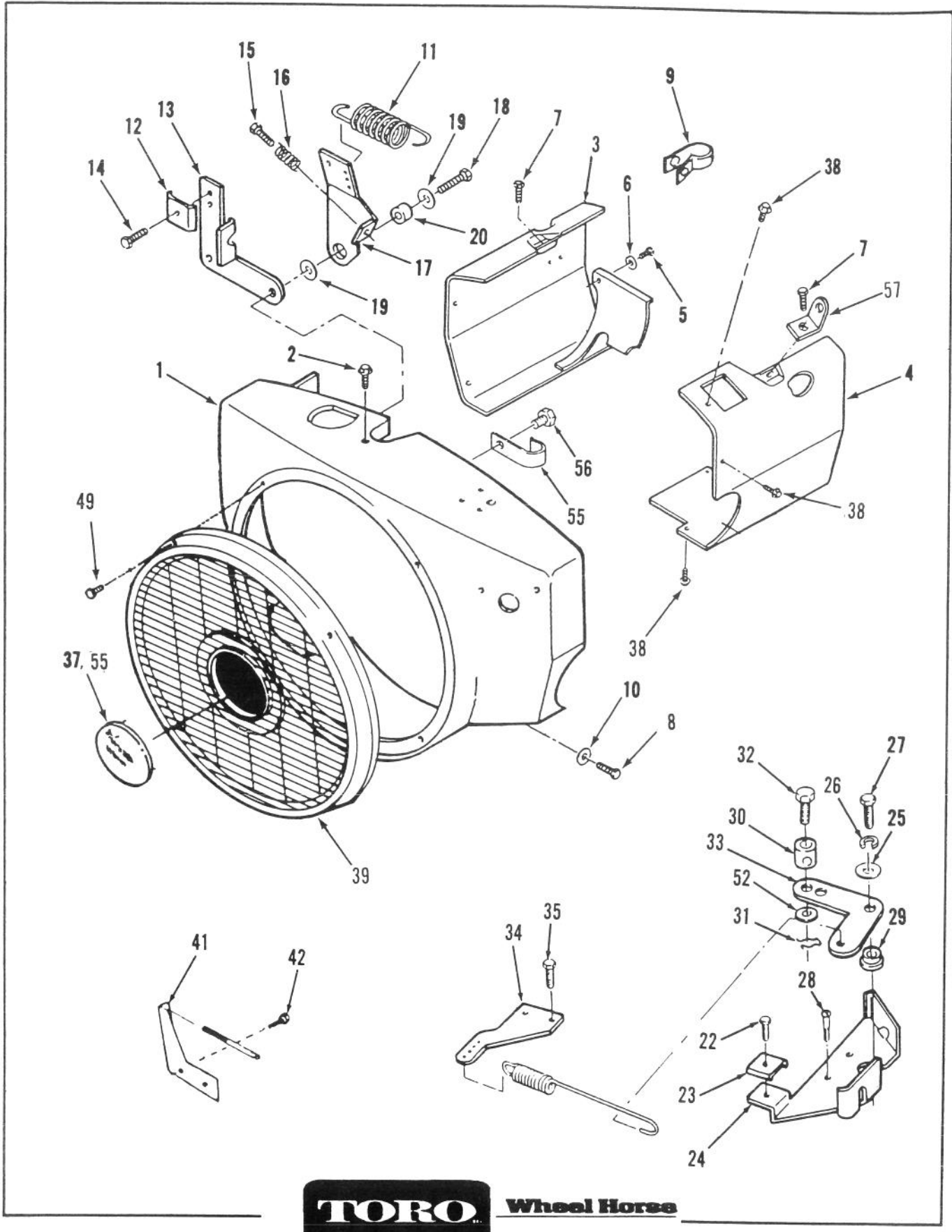
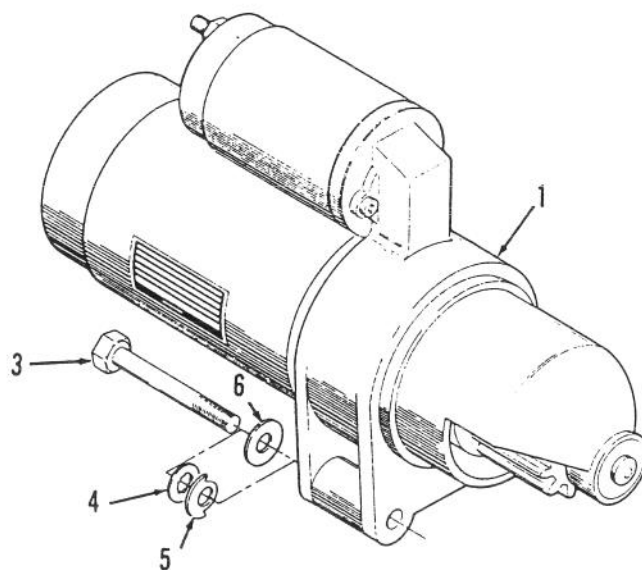


Figure 9-10 Toro Power Plus Blower Housing and Governor

SECTION 9-10 - TORO POWER PLUS BLOWER HOUSING AND GOVERNOR

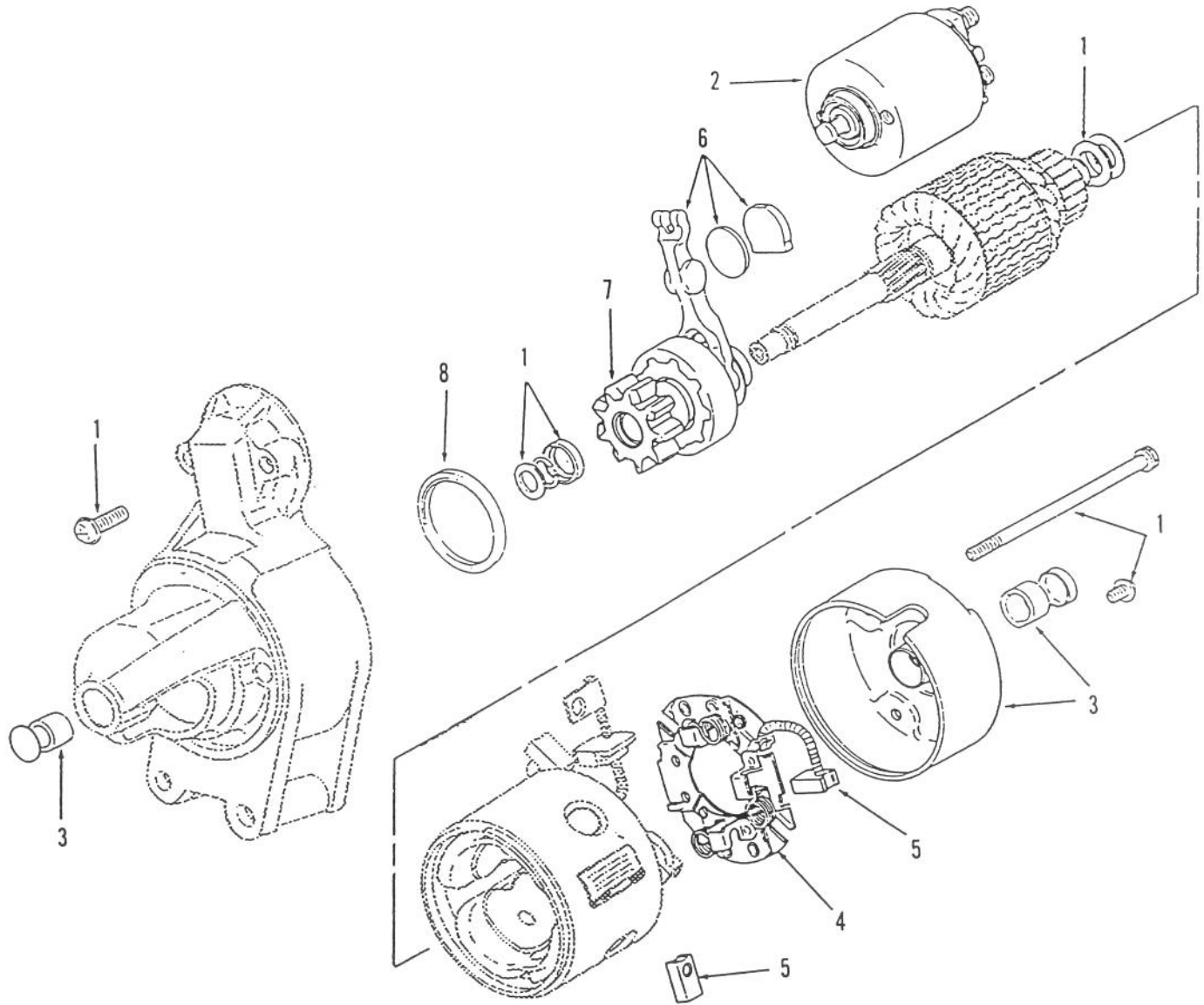
ITEM	PART NUMBER	DESCRIPTION	QUANTITY
Figure 9-10 TORO POWER PLUS BLOWER HOUSING AND GOVERNOR			
1	NN10769	Housing, Blower	1
2	59-0970	Screw, Tapping - Hex Washer Head (1/4-20 x 7/16")	2
3	NN10170	Housing, Cylinder Air - LH	1
4	79-6550	Housing, Cylinder Air - RH	1
5	59-0980	Screw, Tapping - Hex Washer Head (1/4-20 x 5/8")	2
6	59-0830	Washer, Flat (1/4" Screw)	2
7	82-1600	Screw, Cap - Hex Washer Head (5/16-18 x 3/4")	2
8	59-0980	Screw, Tapping - Hex Washer Head (1/4-20 x 5/8")	4
9	NN10289	Clamp, Wire - Alternator Leads (5/16" Diameter)	1
10	59-0820	Washer, Flat (1/4" Screw)	4
11	57-9100	Spring Governor - 5 Ball	1
12	57-9190	Clamp, Cable	1
13	79-6960	Bracket, Cable	1
14	72-3900	Screw, Tapping - Hex Head (#10-32 x 1/2")	1
15	59-1030	Screw, Tapping - Hex Head (#6-32 x 5/8")	1
16	59-0430	Spring, Idle Setting	1
17	79-6560	Arm, Governor Control Without Swivel - Zinc Plated	1
18		Screw (1/4-20 x 1/2")	
	59-1100	Lock Head	2
	59-1010	H.W.H.	2
19	59-0830	Washer, Flat (1/4" Screw)	2
20	57-9120	Bushing, Control Arm	1
22	59-1010	Screw, Self Tapping Hex Hd 10-32 x 1/2	1
23	57-9190	Clamp - Cable	1
24	79-6390	Bracket - Governor Control 150 6-01	1
25	59-0830	Washer - Flat 1/4"	1
26	NN10419	Washer - Lock 1/4"	1
27	NN10369	Screw HHes 1/4-20 x 1"	1
28	201327	Screw 8-15 x 1/2"	3
29	79-6400	Bushing - Governor Control	1
30	57-9120	Swivel - Throttle Lever	1
31	59-0720	Pin - Cotter	1
32	NN10410	Screw - Hex. Hd Mag 4	1
33	79-6410	Link - Governor Control	1
34	79-6420	Adapter - Governor Arm	1
35	59-1050	Screw - Self Tapping Hex Hd 10-32 x 1/2"	1
37	NN10340	Plug, Black Nylon - 59/64" Dia.	1
38	59-1080	Screw, Cap - Hex Washer Head (1/4-20 x 5/16")	4
39	82-0620	Guard, Stationary	1
41	NN10832	Bracket, Governor Adjust	1
42	59-1100	Screw, Lock Head (1/4-20 x 1/2")	2
48	82-0930	Screw, Thread Cutting - Hex Head W/ET (10/32 x 1/2")	2
49	82-1590	Screw, Pan Head - Taptite (Special)	4
55	71-6220	Clip, Wire	1
56	82-1540	Screw, Hex Washer Head (1/4-20 x 1/2")	1
57	71-6080	Bracket Lifting - Zinc Plated	2

SECTION 9 - TORO POWER PLUS STARTER



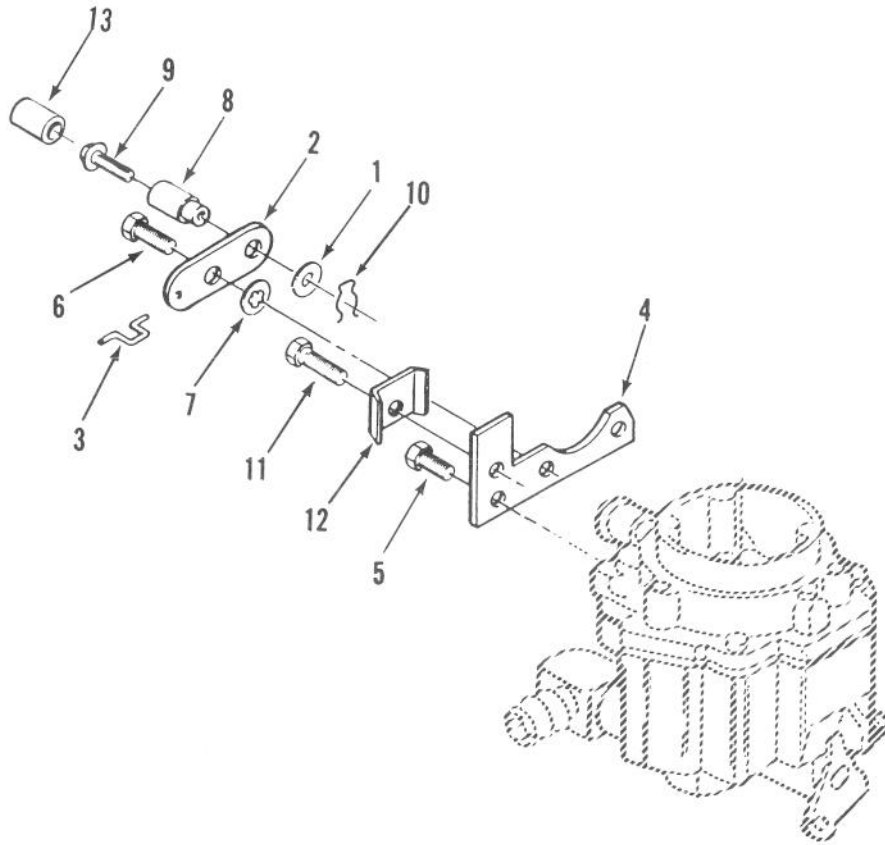
ITEM	PART NUMBER	DESCRIPTION	QUANTITY
Figure 9-11 TORO POWER PLUS STARTER			
1	79-6570	Starter - Solenoid Shift - Code 33AT	1
3	79-6580	Screw, Cap Hex Head (5/16-18 x 3-1/2")	2
4	NN10355	Washer, Lock - IT (5/16")	1
5	NN10834	Washer (Special) - Outside Mounting Bolt	1
6	57-9770	Washer, Flat (5/16" Screw) - Inside Mounting Bolt.....	2

SECTION 9 - TORO POWER PLUS STARTER



ITEM	PART NUMBER	DESCRIPTION	QUANTITY
TORO POWER PLUS STARTER COMPONENTS			
1	62-2760	Kit, Hardware - Starter (Includes (2) Solenoid Mtg Screws, 2 Thru Bolts, Armature Shims, Pinion Collar and Retaining Ring)	1
2	62-2720	Kit, Solenoid - Starter (Includes Solenoid and Spring Plunger).....	1
3	NN10262	Kit, Bushing - Starter (Includes Rear Cap with Bushing and Front Bushing)	1
4	NN-10264	Holder, Brush (Includes Negative Brush)	1
5	NN10263	Kit, Brush - Starter (Includes (2) Negative and (1) Positive Brushes)	1
6	NN10266	Kit, Shift Lever - Starter (Includes Lever, Wear Plate and Rubber Plug)	1
7	NN10270	Clutch Assembly, Starter (Includes Pinion Gear)	1
8	NN10271	Seal, Dust.....	1
9	79-6300	Spring - Brush (Not Illustrated).....	2

SECTION 10 - TORO POWER PLUS CHOKE LINKAGE



1060

SECTION 10 - TORO POWER PLUS CHOKE LINKAGE

ITEM	PART NUMBER	DESCRIPTION	QUANTITY
		Figure 10-1 CHOKE CONTROL (FRONT PULL)	
1	59-0850	Washer, Flat (#10 Screw).....	1
2	59-0460	Lever, Choke	1
3	NN10231	Link, Choke	1
4	NN10513	Bracket, Choke Cable	1
5	72-3880	Screw, Cap - Hex Washer Head (#10-32x1/4").....	1
6	59-1020	Screw, Shoulder (#10-32x.34")	1
7	82-1660	Washer, Lock - IT (#10).....	1
8	NN10230	Swivel, Choke Lever.....	1
9	NN10410	Screw, Machine - Hex Head (#8-32x.375")	1
10	59-0720	Pin, Cotter	1
11	72-3900	Screw, Tapping - Slotted Hex Washer Head (#10-32x7/8")	1
12	57-9190	Clip, Choke Cable	1
13	NN10830	Plug, Cap.....	1

SECTION 10 - TORO POWER PLUS THROTTLE CHOKE AND FUEL CONTROLS

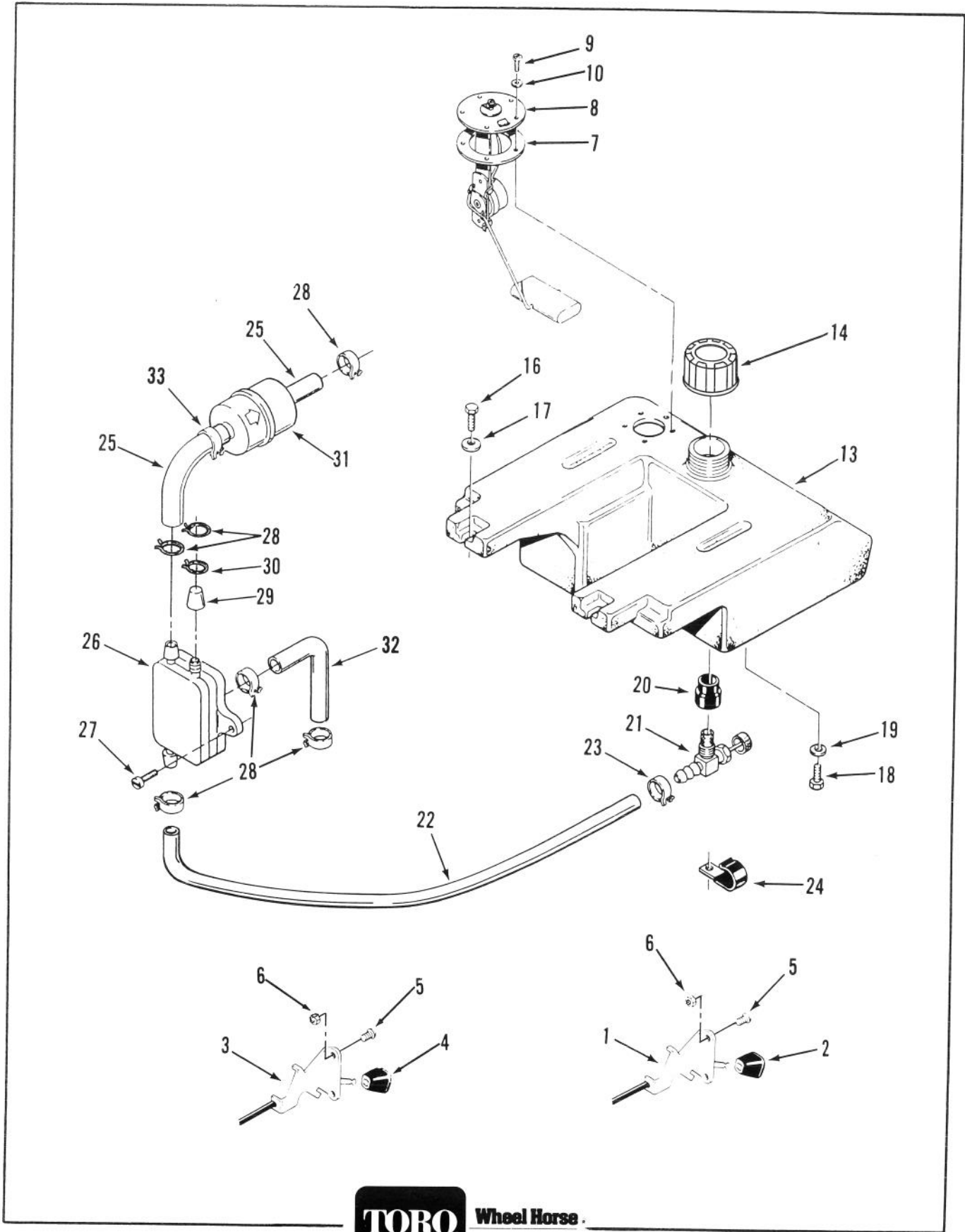


Figure 10-2 Toro Power Plus Throttle Choke and Fuel Controls

SECTION 10 - TORO POWER PLUS THROTTLE CHOKE AND FUEL CONTROLS

ITEM	PART NUMBER	DESCRIPTION	QUANTITY
		Figure 10-2 THROTTLE CHOKE AND FUEL CONTROLS	
1	115392	Throttle Control.....	1
2	116454	Knob-Throttle Control	1
3	114027	Choke Control	1
4	116454	Knob-Choke Control.....	1
5	9107922	Screw #10-24 x 1/2 Black.....	4
6	915740	Lock Nut #10-24	4
7	113372	Gasket.....	1
8	113358	Fuel Level Sender	1
9	910807	Screw #10-32 x 1/2	5
10	920079	Lockwasher #10	5
13	114012	Fuel Tank (Includes items 20 & 21).....	1
14	55-3570	Fuel Cap.....	1
16	926697	ST Bolt 5/16-18 x 1.....	2
17	3256-4	Washer 3/8	2
18	908016	Bolt 5/16-18 x 5/8	3
19	3253-4	Lockwasher 5/16	2
20	104047	Rubber Bushing.....	1
21	104048	Fuel Shut-Off Valve	1
22	2739	Fuel Line 53 in.....	1
23	108898	Corbin Clamp	2
24	950154	Hose Clamp 1/2 in. (13 cm) Diameter	2
	105490	Clamp 1 in. (2.5 cm) Diameter	1
25	NN10302	Fuel Line 12 in.	2
26	NN10212	Fuel Pump	1
27	59-1050	ST Pan Hd. Screw #10-24 x 5/8.....	2
28	82-1080	Hose Clamp 1/2.....	6
29	59-0370	Fuel Fitting Cap	1
30	57-9550	Hose Clamp 7/16.....	1
31	NN10506	Fuel Filter	1
32	NN10302	Fuel Line 7 in.....	1
33	71-6220	Clip, Wire.....	1

SECTION 11 - ELECTRICAL SYSTEM

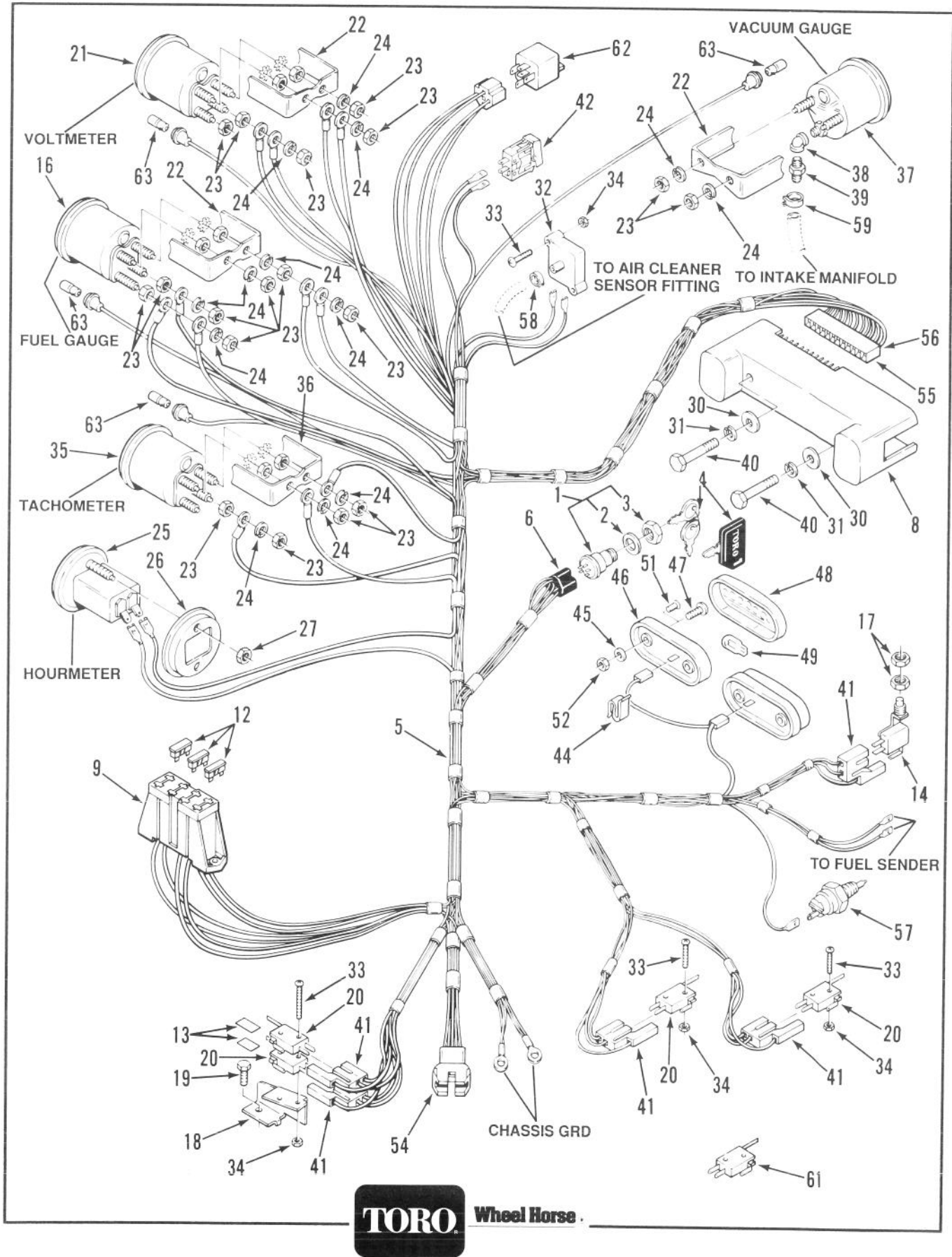


Figure 11-1 Electrical System

SECTION 11 - ELECTRICAL SYSTEM

ITEM	PART NUMBER	DESCRIPTION	QUANTITY
		Figure 11-1 ELECTRICAL SYSTEM	
1	111216	Ignition Switch (w/101884 & 920160).....	1
2	920262	Washer 64x 1 1/8 x .015	1
3	101884	Special Nut.....	1
4	111220	Ignition Key.....	1
	116738	Padded Ignition Key	1
5	78-7080	Wiring Harness Assembly 520-H	1
6	105302	Connector Body - Ignition Switch (Part of 5)	1
8	79-2130	Light Circuit Module 520-H.....	1
9	120930	Fuse Body (Part of 5)	1
12	114594	Fuse 10 Amp - ATO or ATC.....	1
	109101	Fuse 20 Amp - ATO or ATC.....	1
	NN10277	Fuse 30 Amp - ATO or ATC.....	1
13	111642	Switch Insulator Barrier	2
14	114240	Seat Switch	1
16	78-0040	Fuel Gauge (Includes item 22)	1
17	105805	Special Nut.....	2
18	111488	Switch Support	1
19	926671	S.T. Bolt 1/4-20 x 1/2.....	1
20	111332	Interlock Snap Switch.....	4
21	78-0030	Voltmeter (Includes item 22)	1
22	114016	Mounting Bracket	3
23	915551	Nut #10-32.....	14
24	920079	Lockwasher #10	14
25	78-0020	Hourmeter (Includes item 26).....	1
26	114017	Mounting Bracket	1
27	915962	Nut W/External Lockwasher #8-32	2
30	920004	Washer #8 SAE.....	3
31	920078	Lockwasher #8	3
32	114270	Air Cleaner Sensor	1
33	910948	Screw #4-40 x 3/4	4
34	915732	Elast. Nut #4-40.....	4
35	78-0060	Tachometer (Includes item 36) 520-H.....	1
36	114018	Mounting Bracket 520-H.....	1
37	79-2660	Vacuum Gauge (Includes item 22) 520-H.....	1
38	943021	Elbow 520-H.....	1
39	105076	Straight Fitting 520-H	1
40	910783	Screw #8-32 x 1 1/2	2
41	111498	Connector.....	5
42	113191	Light Switch.....	1
44	3023	Clip-Small.....	X
45	920079	Lockwasher #10 (Optional)	4
46	105202	Tail Light Base W/Bulb	2
47	910808	Screw #10-32 x 5/8 (Optional).....	4
48	112564	Taillight Lens	2
49	109045	Light Bulb (Auto #194).....	2

SECTION 11 - ELECTRICAL SYSTEM

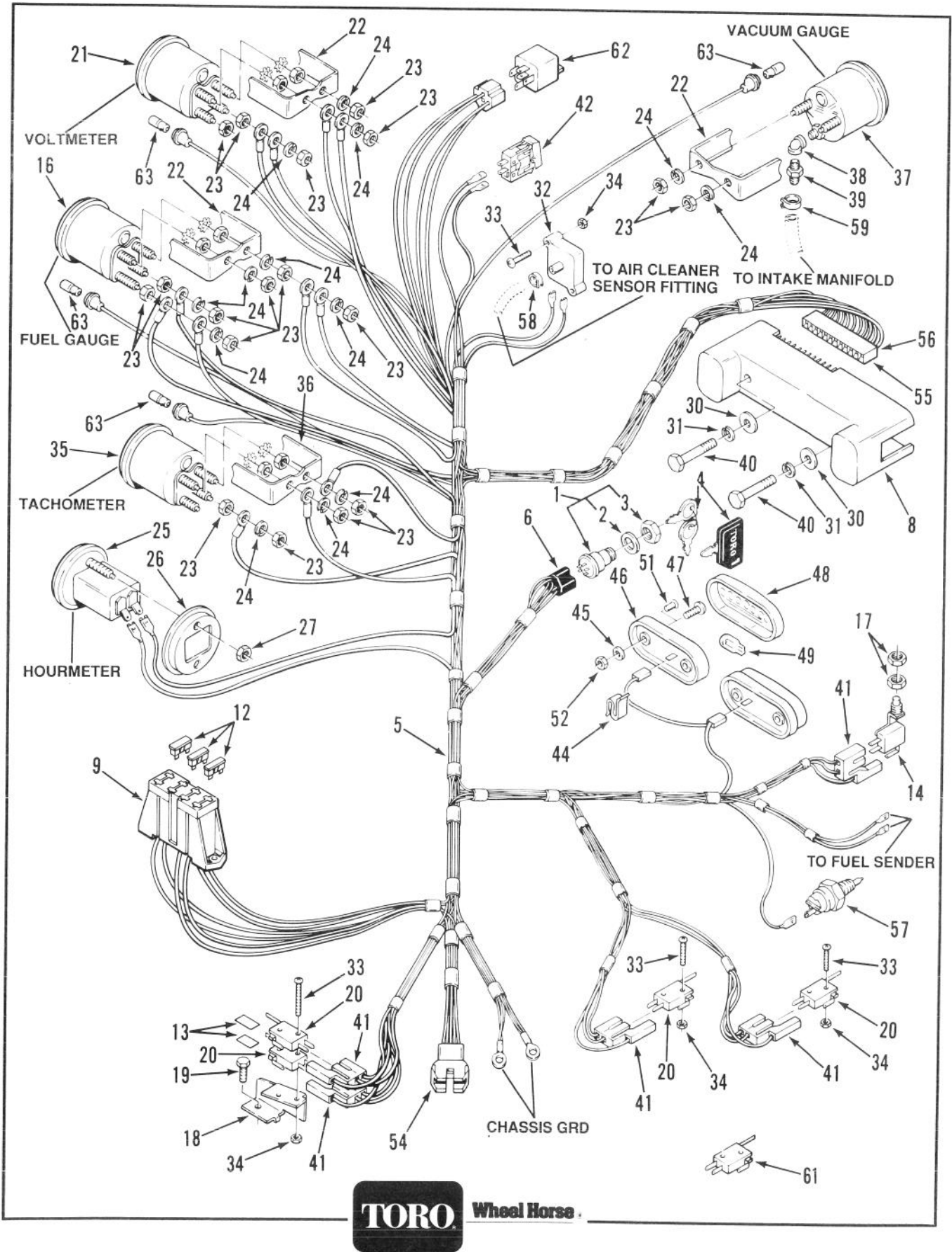
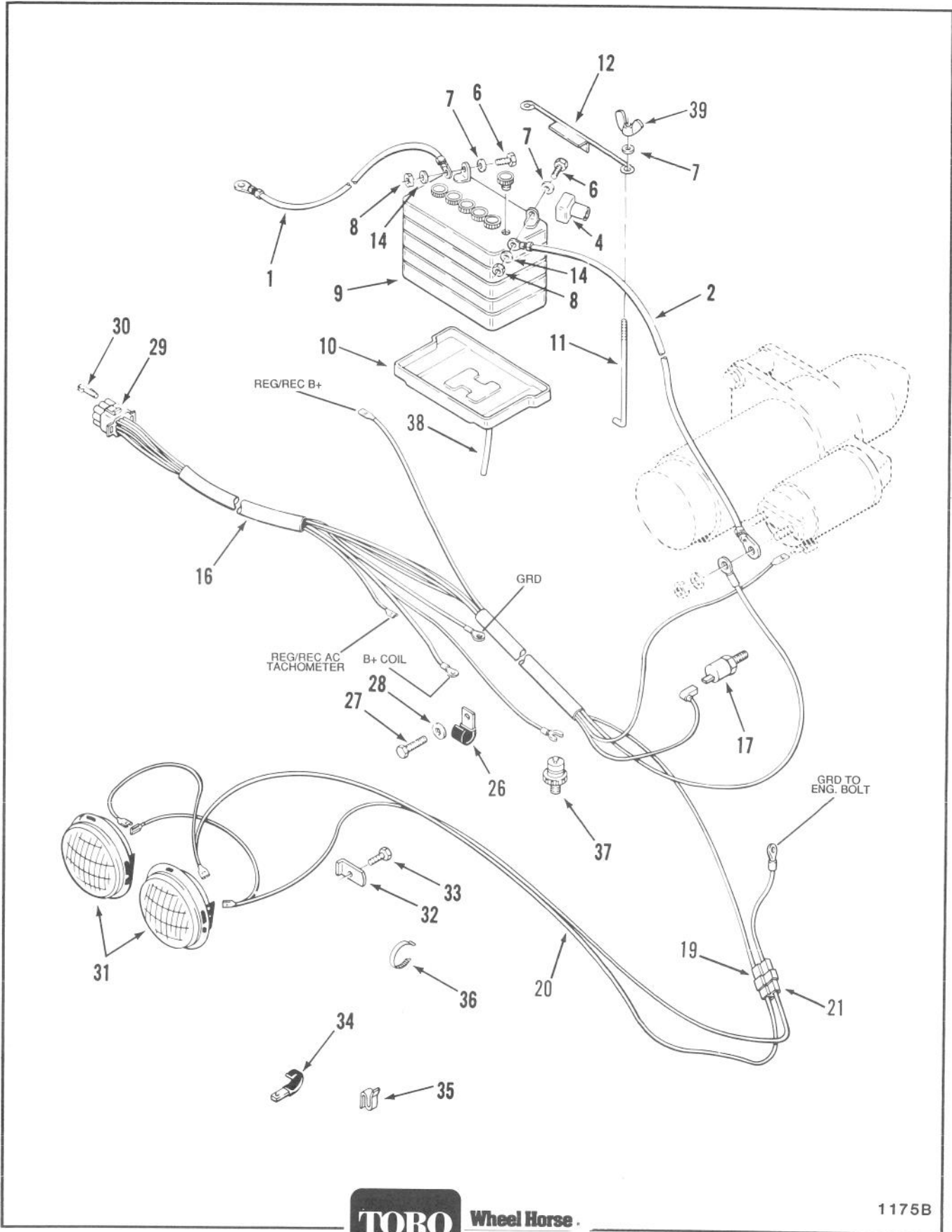


Figure 11-1 Electrical System

SECTION 11 - ELECTRICAL SYSTEM

ITEM	PART NUMBER	DESCRIPTION	QUANTITY
		Figure 11-1 ELECTRICAL SYSTEM (CONTINUED)	
51	923795	Poprivet 3/16 x .402 Aluminum (Production).....	4
52	915551	Nut #10-32 (Optional).....	4
54	113119	9-Terminal Connector - Female.....	1
55	114632	12-Terminal Connector - Male.....	1
56	114633	Terminal.....	12
57	113193	Transmission Oil Temp. Switch 520-H.....	1
58	114767	Clamp 5/16.....	1
59	108898	Corbin Clamp 520-H.....	1
61	115230	Switch 520-H.....	1
62	116397	Relay.....	1
63	79-0450	Lamp-Miniature .938" Long.....	3
	79-0460	Lamp-Miniature 1.2" Long.....	1

SECTION 11 - ELECTRICAL SYSTEM



1175B

Figure 11-2 Electrical System

SECTION 11 - ELECTRICAL SYSTEM

ITEM	PART NUMBER	DESCRIPTION	QUANTITY
		Figure 11-2 ELECTRICAL SYSTEM	
1	114210	Cable - Battery Ground (24")	1
2	113925	Cable - Battery (+) to Solenoid (40")	1
4	109553	Terminal Cover	1
6	321-4	Bolt 1/4-20 x 3/4	2
7	3256-22	Washer	4
8	3296-42	E.S. Nut 1/4-20	5
9	115877	Battery - Low Maintenance (280 CCA) 520-H	1
10	106498	Battery Tray	1
11	113969	Hook - Battery Hold Down	2
12	113010	Battery Hold Down Rod	1
14	3253-3	Lockwasher 1/4	2
16	NN10553	Engine Wiring Harness	1
17	NN10274	High Engine Temp. Switch 520-H	1
19	NN10278	2-Terminal Connector - Male	1
20	114052	Headlight Harness	1
21	109357	2-Terminal Connector - Female	1
26	71-6220	Clip	1
27	82-1540	Screw 1/4-10 x 1/2	1
28	NN10425	Int. Tooth Washer 1/4	1
29	NN10281	9-Terminal Connector - Male	1
30	NN10279	Socket Contact	1
31	102881	Headlight	2
32	109459	Clamp	2
33	926671	Bolt Hex 1/4-20 x 1/2 ST	2
34	8830	Clip	1
35	3023	Clip-Small	X
36	100571	Cable Tie	X
37	NN10824	Low Oil Pressure Switch	1
38	114721	Drain Tube 21"	1
39	32103-22	Wing Nut	1
40	59-0640	Elbow 45°	1

SECTION 12 - HYDRAULIC SYSTEM

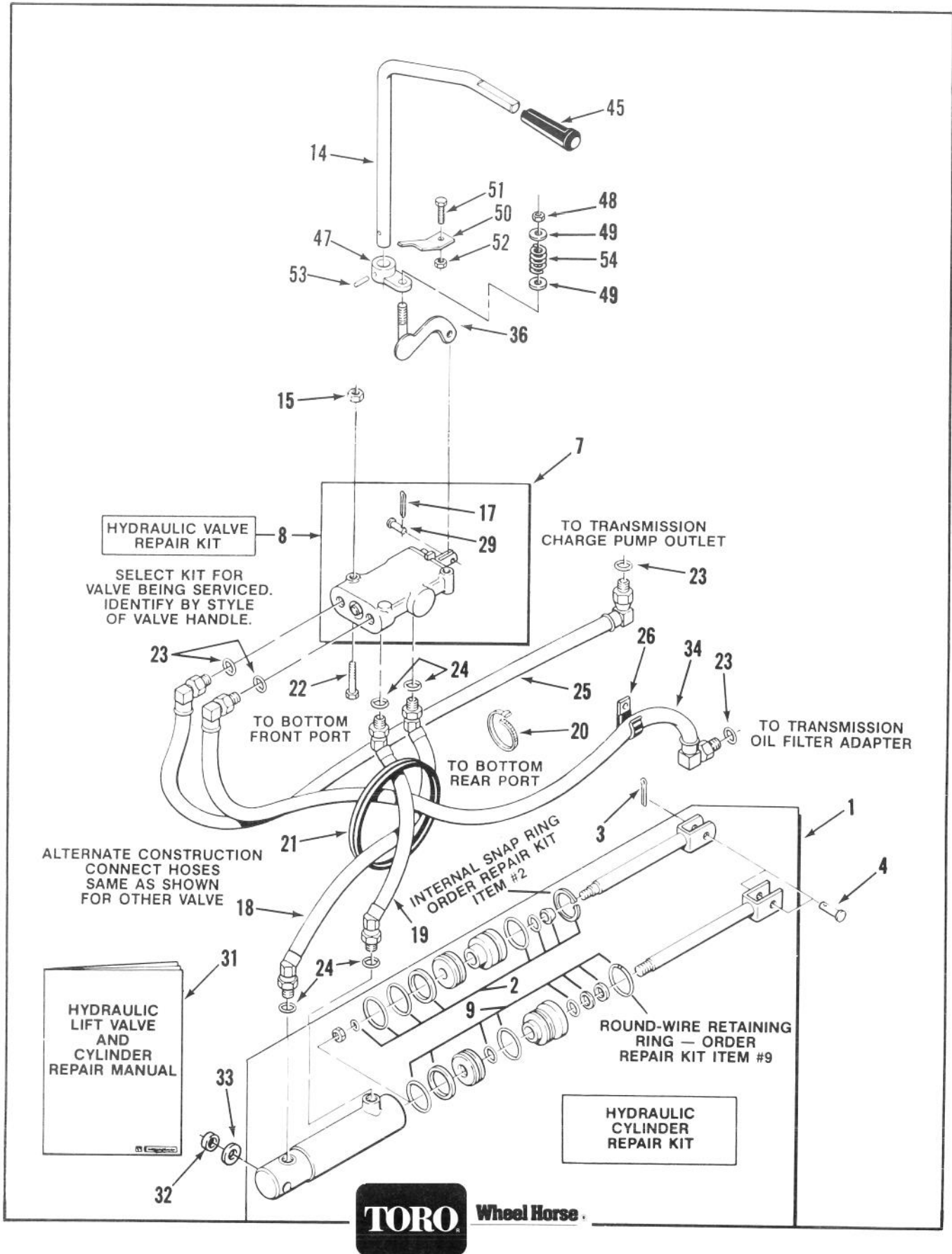


Figure 12-1 Hydraulic System

SECTION 12 - HYDRAULIC SYSTEM

ITEM	PART NUMBER	DESCRIPTION	QUANTITY
		Figure 12-1 HYDRAULIC SYSTEM 520-H	
1	119340	Hydraulic Cylinder	1
2	101699	Service Assembly Cylinder Repair Kit	1
3	3272-11	Cotter Pin 1/8 x 1	1
4	932997	Clevis Pin 1/2 x 1/4	1
7	114000	Hydraulic Valve	1
8	109081	Service Assembly Valve Repair Kit	1
9	109088	Service Assembly Cylinder Repair Kit	1
14	117328	Valve Handle	1
15	915661	E.S. Nut 1/4-20	2
17	932000	Cotter Pin 1/16 x 1/2	2
18	110124	Hose-Valve To Cylinder 14"	1
19	110125	Hose-Valve To Cylinder 9"	1
20	100571	Cable Tie	X
21	106267	Rubber Grommet	1
22	908009	Bolt 1/4-20 x 2	2
23	973370	O-Ring	4
24	973310	O-Ring	4
25	110096	Hose	1
26	8830	Clip - Small	1
29	932120	Clevis Pin 1/4 SAE	1
31	810242R3	Repair Manual	1
32	110126	Spacer	1
33	1278	Shim Washer	1
34	110504	Hose-Transmission To Valve 29" (73.7 cm)	2
36	78-5640	Lift Bar	1
45	116634	Grip	1
47	116302	Control	1
48	3296-29	E.S. Nut 5/16-18	1
49	920008	Washer 5/16 SAE	1
50	116305	Control Rod Bracket	1
51	908003	Screw 1/4-20 x 3/4	1
52	915661	E.S. Nut 1/4-20	1
53	933198	Spirol Pin 7/32 x 7/8	1
54	104841	Spring	1

SECTION 13 - WHEELS AND TIRES

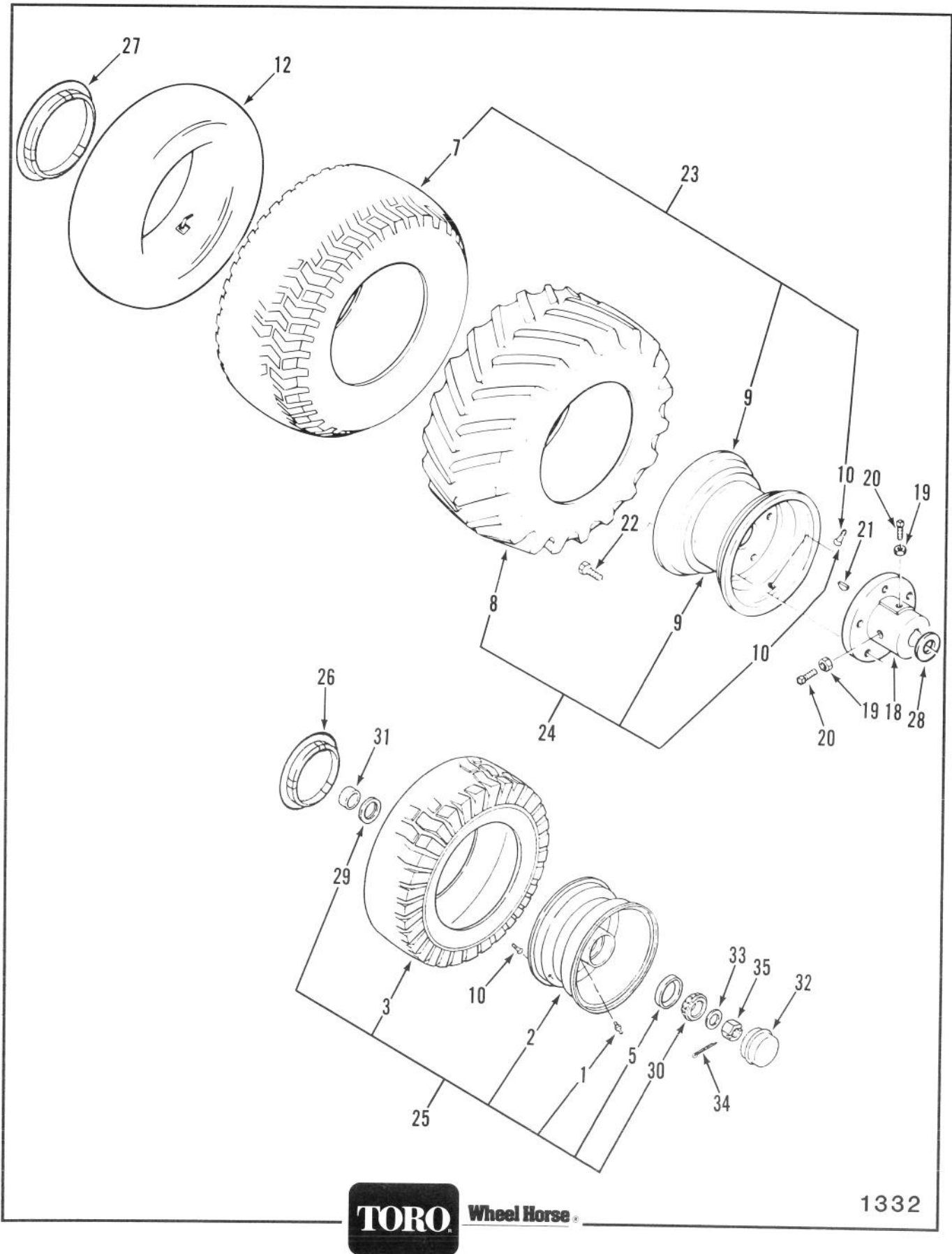


Figure 13-1 Wheels and Tires

SECTION 13 - WHEELS AND TIRES

ITEM	PART NUMBER	DESCRIPTION	QUANTITY
		Figure 13-1 WHEELS AND TIRES	
1	109500	Grease Fitting	2
2	117287	Front Wheel (Includes Item 1 & qty. 2 of Item 5)	2
3	116867	Front Tire 16x7.50-8 Turf Trac	2
5	112821	Bearing Cup	2
7	116971	Rear Tire 23 x 10.5-12 Turf Trac	2
8	7607	Rear Tire 23 x 8.50-12 Cleat	2
9	110680	Rear Wheel 12 x 8.50	2
10	5108	Valve Stem	4
12	109546	Rear Tube	2
18	105763	Hub - Rear Wheel 1 1/8" ID	2
19	915236	Jam Nut 3/8-16	4
20	909554	Set Screw 3/8-16x1	4
21	937108	Woodruff Key 1/4x1 3/8	2
22	1004	Lug Bolt	10
23	116970	Rear Wheel & Tire Assy	2
24	110934	RH Cleat Wheel & Tire Assy	1
	110933	LH Cleat Wheel & Tire Assy	1
25	117290	Front Wheel & Tire Assy	2
26	114427	Hub Cap Logo 6"	2
27	114428	Hub Cap Logo 12"	2
28	106826	Thrust Washer	2
29	112822	Seal	2
30	112823	Bearing	2
31	112824	Spacer	2
32	112825	Dust Cap	2
33	920225	Washer 3/4 I.D. x 1-1/4 O.D.	2
34	932018	Cotter Pin 1/8 x 1/4	2
35	915035	Slotted Nut 3/4-16	2

SECTION 14 - DRIVE BELT, PULLEYS AND PTO CLUTCH

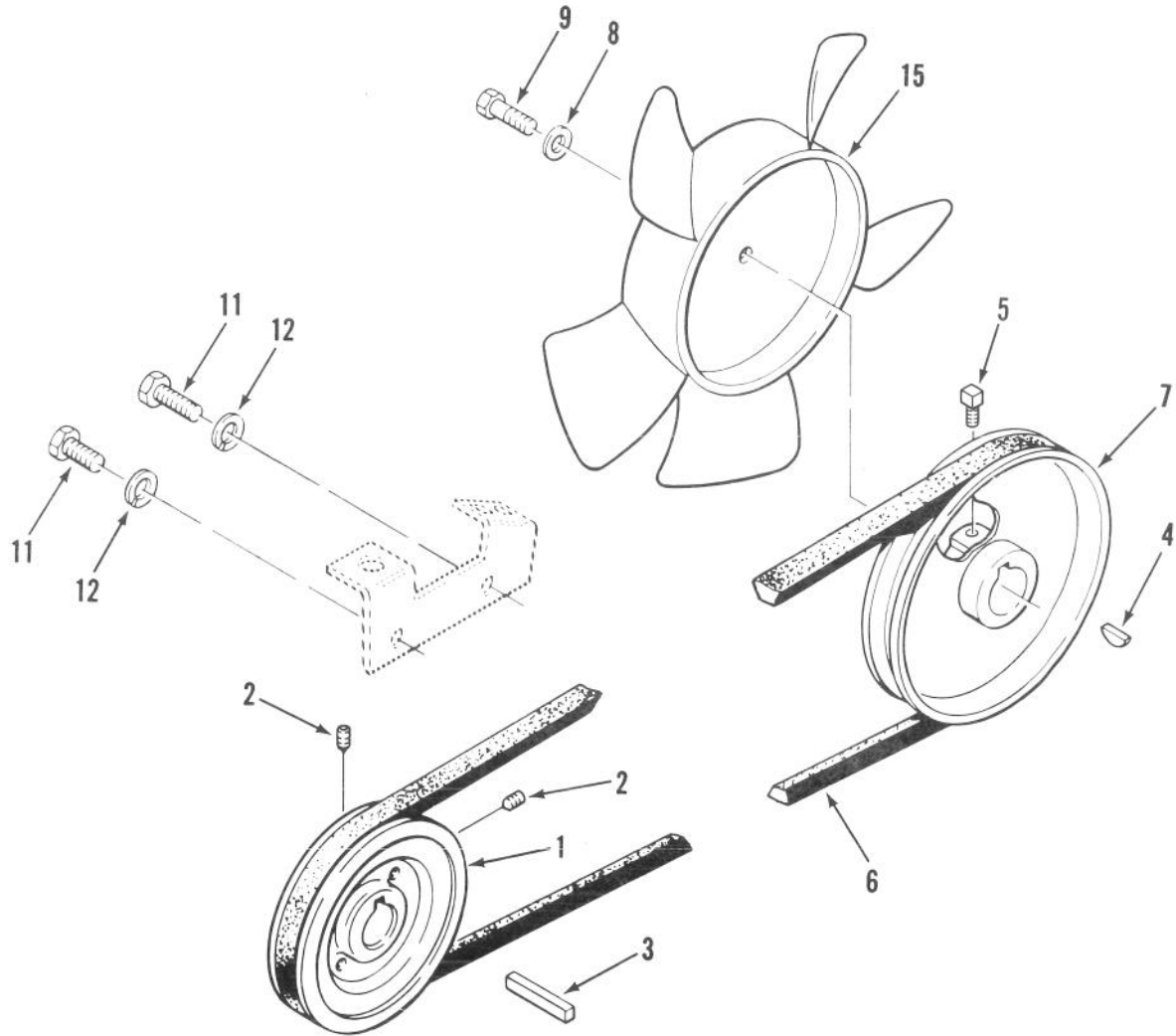


Figure 14-1 Drive Belt and Pulleys

SECTION 14 - DRIVE BELT, PULLEYS AND PTO CLUTCH

ITEM	PART NUMBER	DESCRIPTION	QUANTITY
		Figure 14-1 DRIVE BELT AND PULLEYS	
1	7443	Engine Drive Pulley 520-H	1
2	909862	Set Screw 5/16-18 x 5/16	2
3	105453	Key 1/4 x 1/4 x 3/4.....	1
4	937089	Woodruff Key 3/16 x 3/4 520-H	1
5	909540	Set Screw 5/16-18 x 1/2 Nylok	2
6	114895	Drive Belt 520-H	1
7	108316	Transmission Drive Pulley 520-H	1
8	103995	Special Washer 9/32 520-H	1
9	908002	Eslok Bolt 1/4-20 x 5/8 520-H.....	1
11	3235-22	Bolt 3/8-16 x 1 520-H	2
12	3256-23	Lockwasher 3/8 520-H	2
15	108393	Fan	1

SECTION 14 - DRIVE BELT, PULLEYS AND PTO CLUTCH

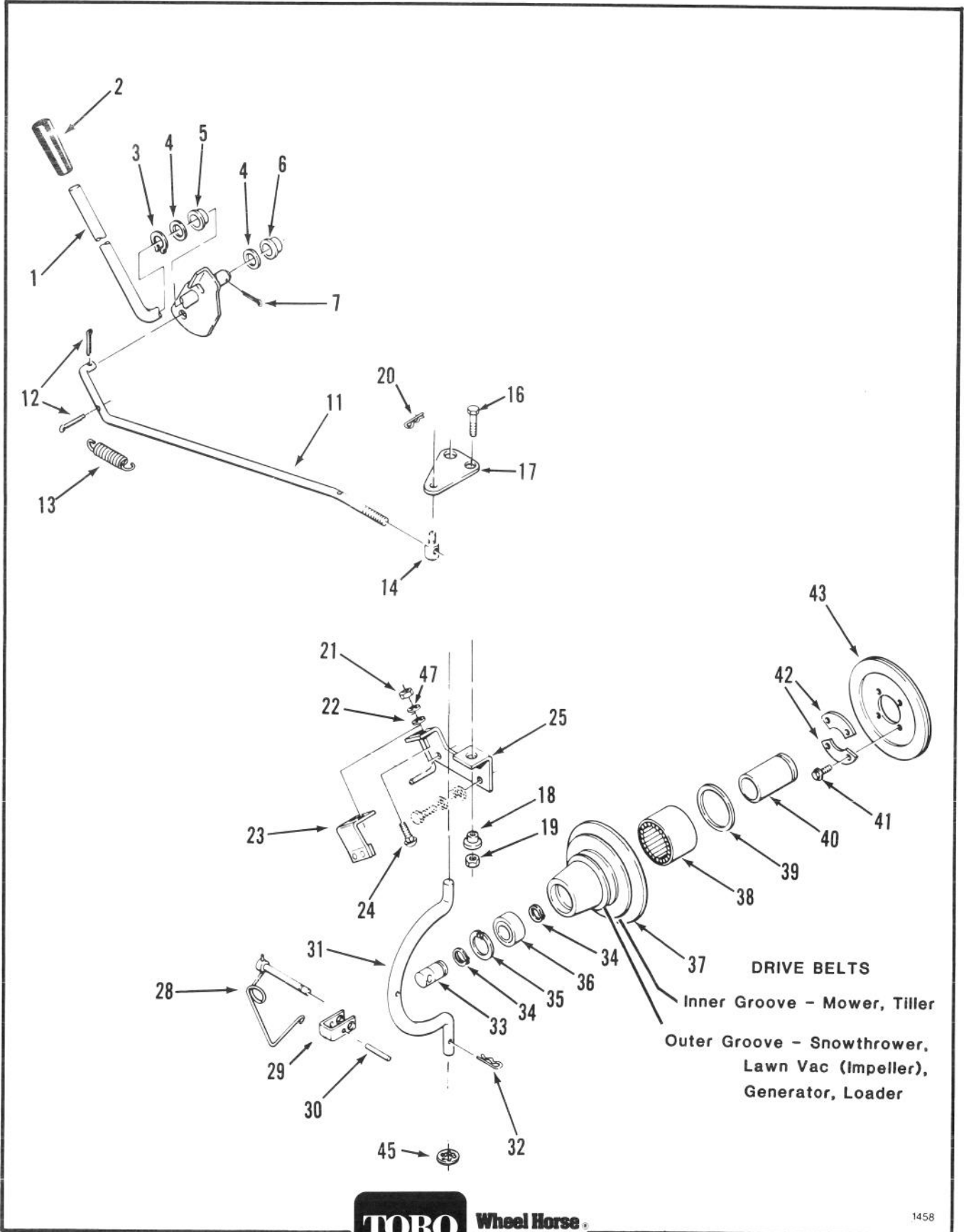


Figure 14-2 PTO Clutch and Control

SECTION 14 - DRIVE BELT, PULLEYS AND PTO CLUTCH

ITEM	PART NUMBER	DESCRIPTION	QUANTITY
		Figure 14-2 PTO CLUTCH AND CONTROL	
1	111233	PTO Clutch Lever	1
2	9038	Grip	1
3	32151-11	Grip Ring	1
4	3765	Shim Washer	2
5	5666	Nyliner Bushing	1
6	5983	Bushing	1
7	3272-10	Cotter Pin 1/8 x 3/4	1
11	111052	PTO Clutch Rod	1
12	3272-10	Cotter Pin 1/8 x 3/4	2
13	103125	Spring	1
14	110656	Trunnion	1
16	323-7	Bolt 3/8-16 x 1 1/4	1
17	110669	PTO Plate	1
18	104859	Spacer	1
19	3296-39	E.S. Nut 3/8-16	1
20	933505	Hairpin Cotter	1
21	915234	Jam Nut 1/4-20	2
22	3256-22	Washer 1/4 SAE	2
23	110665	PTO Brake Assembly	1
24	900015	Carriage Bolt 1/4-20 x 3/4	2
25	113874	Engine Bracket	1
28	111314	Locking Pin	1
29	113107	Clevis	1
30	933274	Spirol Pin 5/32 x 1-3/8	1
31	113108	PTO Housing Rod	1
32	933506	Hairpin Cotter	1
33	102872	Stub Shaft	1
34	936125	Snap Ring 3/4 External	2
35	936032	Snap Ring 1 3/4 Internal	1
36	109842	Ball Bearing	1
37	103478	Pulley Housing	1
38	106769	Needle Bearing	1
39	6663	Seal	1
40	6658	Bearing Race	1
41	908002	Nylok Bolt 1/4-20 x 5/8	4
42	6659	Retainer	2
43	114881	Clutch Plate & Facing	1
45	106695	Push-On Ring	1
47	3253-3	Lock Washer 1/4	1

SECTION 15 - SEAT

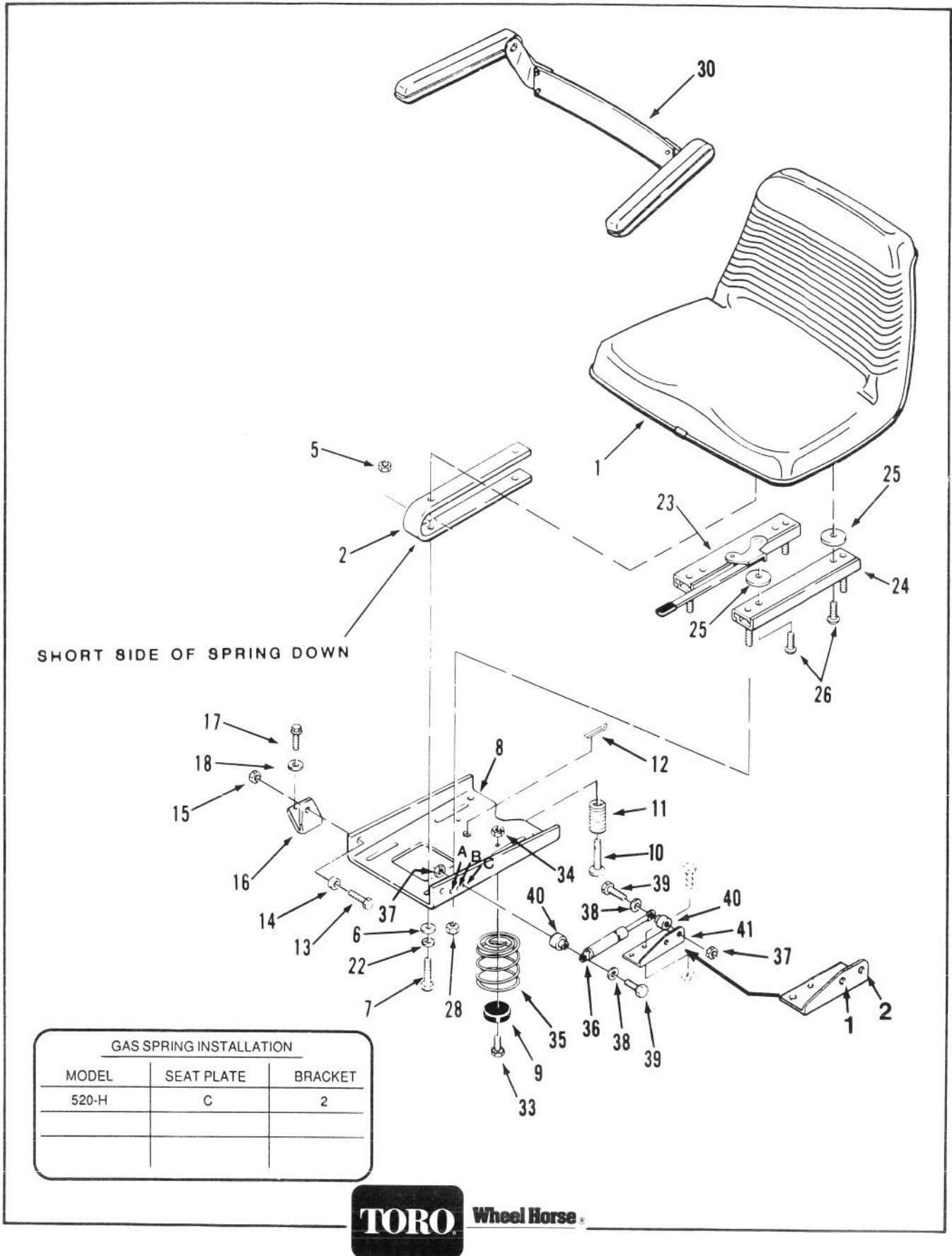
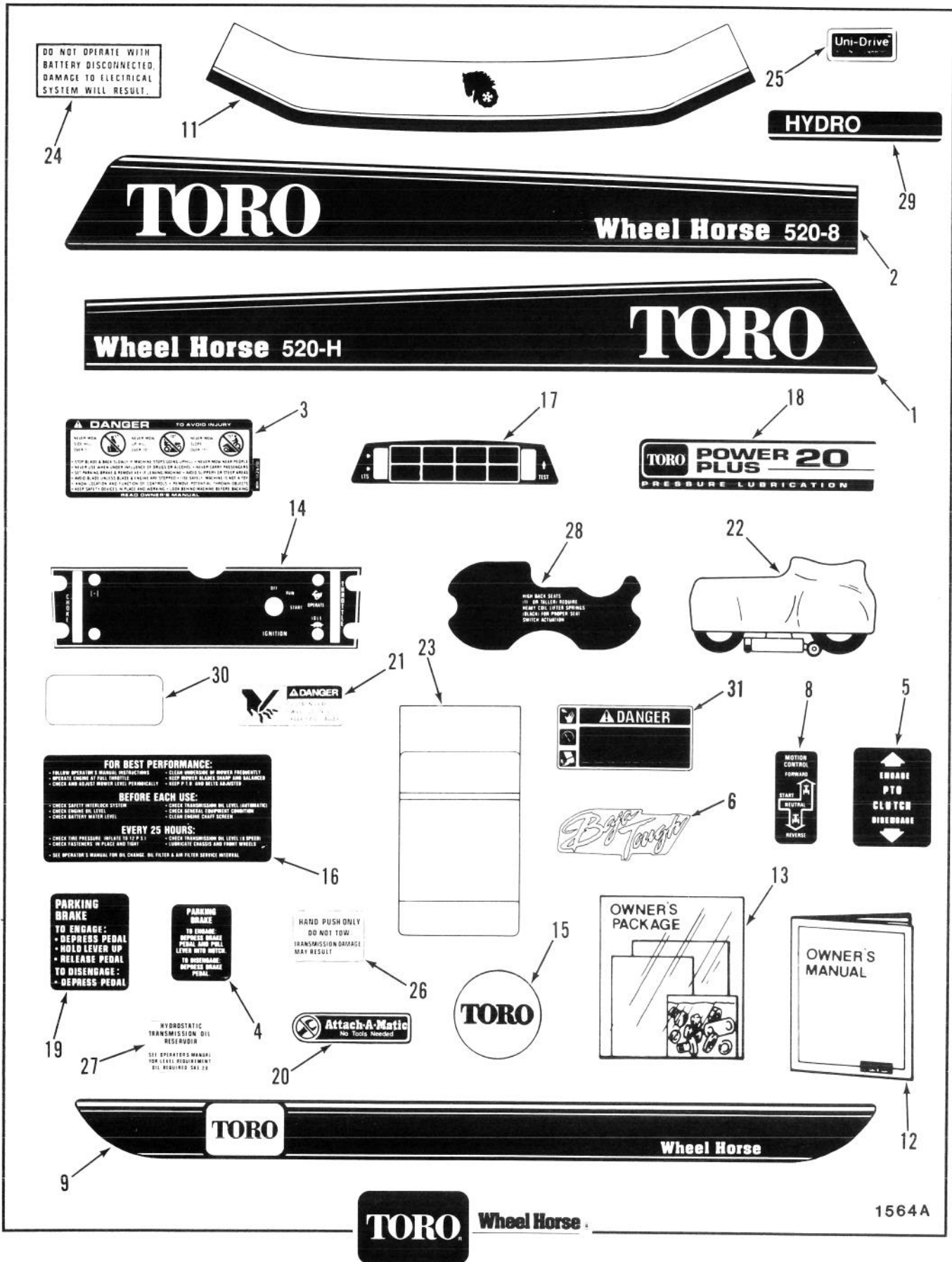


Figure 15-1 Seat

SECTION 15 - SEAT

ITEM	PART NUMBER	DESCRIPTION	QUANTITY
		Figure 15-1 SEAT	
1	113985	Seat	1
2	114263	Seat Spring.....	2
5	915112	Nut 5/16-18.....	4
6	3256-23	Washer 5/16 SAE.....	4
7	908018	Bolt 5/16-18 x 7/8	4
8	112478	Seat Pivot Plate.....	1
9	108889	Bumper	2
10	106449	Pin	1
11	114267	Spring	1
12	3272-6	Cotter Pin 3/32 x 3/4.....	1
13	908018	Bolt 5/16-18 x 7/8	2
14	105503	Bushing	2
15	3296-29	E.S. Nut 5/16-18.....	2
16	112744	Pivot Bracket RH.....	1
	112745	Pivot Bracket LH.....	1
17	913464	ST Bolt 5/16-18 x 7/8.....	4
18	920008	Washer 5/16 SAE.....	4
22	3253-4	Lockwasher 5/16	4
23	114264	Adjuster RH (With Latch).....	1
24	114265	Adjuster LH.....	1
25	109989	Nylon Spacer	4
26	910865	Screw 5/16-18 x 3/4	4
28	915112	Eslok Nut 5/16-18.....	4
30	112293	Armrest Kit.....	1
33	908019	Bolt 5/16-18 x 1	2
34	3296-29	E.S. Nut 5/16-18.....	2
35	114496	Seat Lifter Spring - Black.....	2
36	114343	Gas Spring	1
37	3296-42	E.S. Nut 1/4-20.....	2
38	3256-22	Washer 1/4 SAE.....	2
39	321-8	Bolt 1/4-20 x 1/-1/4	2
40	114344	Spacer	2
41	114345	Gas Spring Bracket	1

SECTION 15 - DECALS



1564A

Figure 15-2 Decals

SECTION 15 - DECALS

ITEM	PART NUMBER	DESCRIPTION	QUANTITY
		Figure 15-2 DECALS	
1	117502	Decal-Hood RH 520-H	X
2	117503	Decal-Hood LH 520-H.....	X
3	112670	Decal-Danger	1
4	111510	Decal-Parking Brake	1
5	111960	Decal-PTO Clutch	1
6	78-7610	Decal-"Baja Tough"	1
8	113910	Decal-Motion Control.....	1
9	117760	Decal-Rear Fender	1
11	117509	Decal-Front Hood	1
12	810729R1	Operator's Manual-Tractor 520-H.....	X
13	807158	Loose Parts Package 520-H.....	X
14	119230	Decal-Front Panel	1
15	118530	Decal-TORO Nameplate	1
16	116544	Decal-Rear Hood.....	1
17	78-8350	Decal-Indicator Lights 520-H.....	1
18	118560	Decal-TORO Power Plus	1
19	116445	Decal-Parking Brake	1
20	115197	Decal-Attach-O-Matic	1
21	116235	Decal-Danger	1
22	802695	Plastic Tractor Cover	X
23	115398	Decal-Maintenance	1
24	111926	Decal-Electrical System	1
25	104955	Decal-Unidrive	1
26	116446	Decal-Do Not Tow 520-H	1
27	112679	Decal-Transmission Oil	1
28	114296	Decal-Seat Lifter.....	1
29	117511	Decal-Hydro 520-H.....	1
30	112403	Decal-Vin Tag Overlay	1
31	79-0370	Decal-Danger	1
	Not Illustrated		
	117242	Decal-Made in USA.....	1

WIRING DIAGRAM

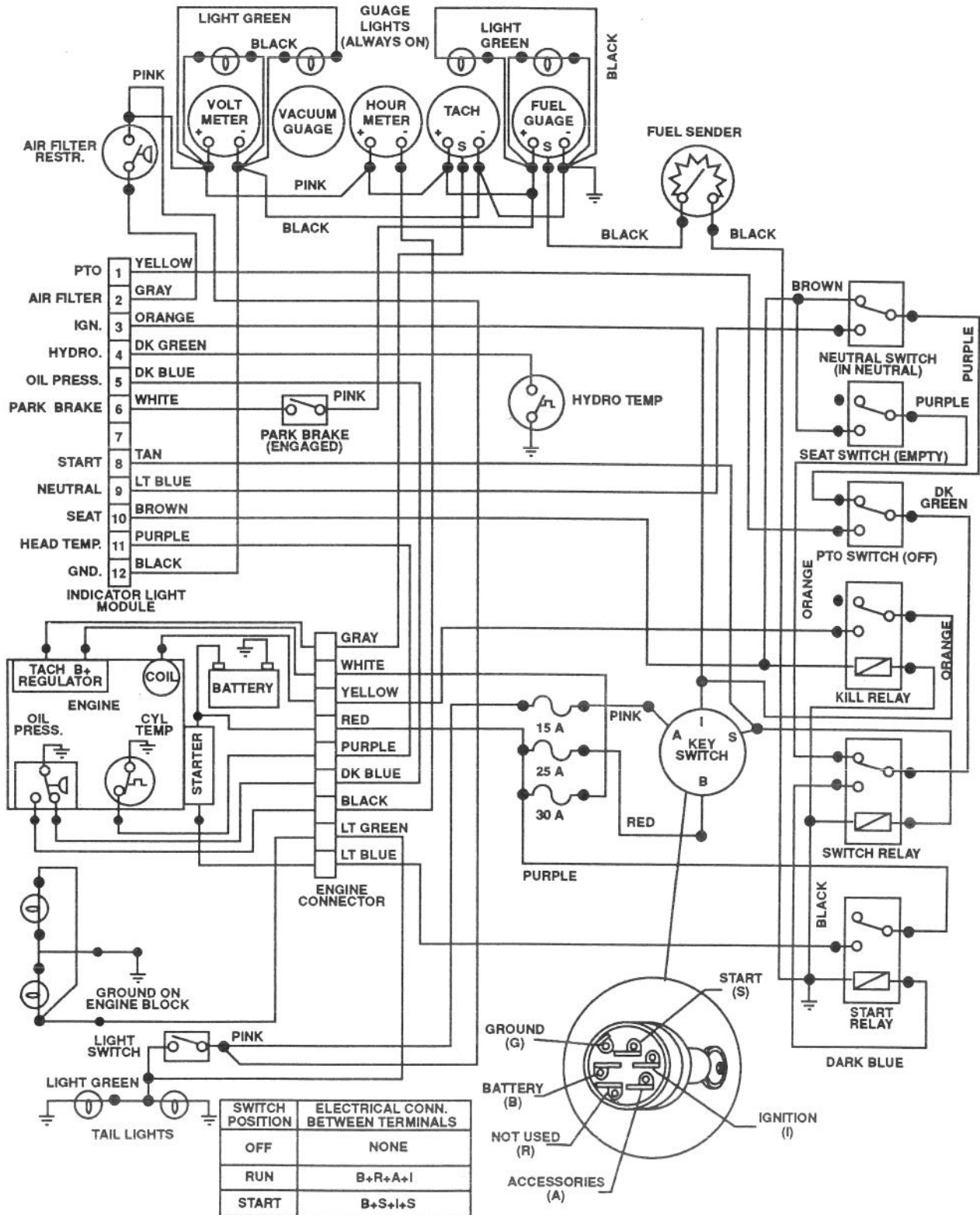


Figure 17-1 Wiring Diagram

