



# Weight Kit

## 2007 and After Commercial Floating-Deck Mid-Size Mowers

Model No. 112-9971

## Parts Catalog

### Ordering Replacement Parts

To order replacement parts, please supply the part number, the quantity, and the description of each part desired.

### Understanding Reference Numbers

Each identified part in an illustration has a reference number. The reference number for a part also appears in the parts list, along with other information about the part.

This catalog uses two special reference number formats, one to indicate parts in a service assembly and another to indicate the quantity of a given part in an illustration.

### Service Assembly Reference Numbers

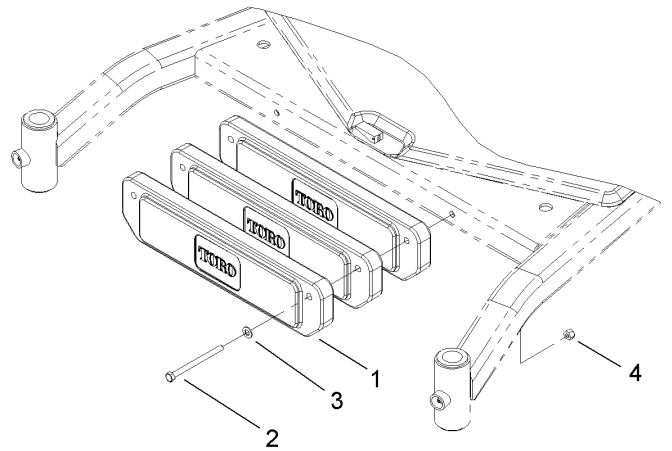
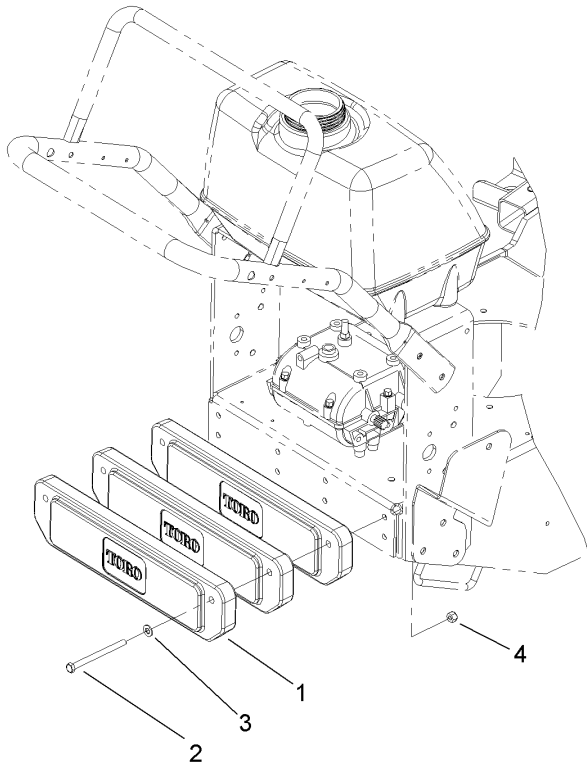
Parts in service assemblies have reference numbers in the form a:b. The a represents the reference number of the entire service assembly and the b represents a sequential number unique to each part within the service assembly.

For example, a wheel assembly might be identified by reference number 6, the tire by 6:1, the valve by 6:2, and the wheel by 6:3. When you order the assembly identified by reference number 6, you receive all parts identified by reference numbers 6:1, 6:2, and 6:3. However, you may also order any part individually. Reference numbers of this type appear in illustrations and in part lists.

### Reference Numbers Indicating Quantity

In an illustration, if a reference number indicates more than one part, the reference number has the form nX y. The n represents the quantity of the part, the X is the multiplication symbol, and the y represents the reference number.

For example, in an illustration, the reference number 2X 37 means that two of the parts identified by reference number 37 are indicated.



## Weight Kit No. 112-9971

Ref	Part No.	Qty.	Description
1	112-7059-01	1	Weight-Cast
2	322-10	2	Screw-HH (Use With 1 Weight)
2	322-14	2	Screw-HH (Use With 2 Weights)
2	322-19	2	Screw-HH (Use With 3 Weights)
2	322-29	2	Screw-HH (Use With 4 Weights)
3	3256-23	2	Washer-Flat
4	3296-29	2	Nut-Lock, NI

--	--	--	--