



Weight Kit

For 2007 and After Commercial Floating-Deck
Mid-Size Mowers

Model No. 112-9971

Installation Instructions

Note: Determine the left and right sides of the machine from the normal operating position.

Loose Parts

Use the chart below to verify that all parts have been shipped.

Step	Description	Qty.	Use
1	No parts required	–	Use the weight for Performance.
2	No parts required	–	Use the Weight with a TRU TRAK® Sulky
3	Weight Bolt (5/16 x 2 inches) Bolt (5/16 x 3 inches) Bolt (5/16 x 4 inches) Bolt (5/16 x 5 inches) Locknut (5/16 inch) Washer (5/16 inch)	1 2 2 2 2 2	Install the weight.

Step

1

Using the Weight for Performance

No Parts Required

Procedure

- Weights are installed to improve handling, balance and improve performance. Weights can be added, relocated or removed to create optimized performance under different mowing conditions and for operator preference (Figure 1 or Figure 2).
- It is recommended that weights be added, relocated or removed one at a time until the desired handling and balance is achieved.



Excessive weight changes can effect handling and operation of the machine. This could cause serious injury to you or bystanders.

Make weight changes in small increments only.

Evaluate the mower after each weight change to ensure the machine can be operated safely.

The following table indicates the position and number of the weights furnished with the mower.

Number of Weights Furnished with Mower				
Deck size	Gear Driven Mowers		Hydraulic Driven Mowers	
	Number of Weights	Weight Position	Number of Weights	Weight Position
36	0	None	1	Front
40	1	Front	1	Front
48	2	Rear	0	None
52	3	Rear	1	Rear
60	Not Available		2	Rear



With the weights installed in the rear position, the front end of the machine can rapidly rise up when the mower is removed. This could cause serious injury to you or bystanders.

Support the rear of the machine when removing the mower from the carrier frame.

Step

2

Using the Weight with a TRU TRAK® Sulky

No Parts Required

Procedure

- Any rear weight must be removed when a TRU TRAK® Sulky is installed.
- As a general rule, a weight shift of approximately 45 pounds (20.4 kg) is needed to compensate for the sulky attachment and the weight of the operator on the rear of the machine.
- Use the following table to determine the number of front weights recommended to be installed with a TRU TRAK® Sulky.

Number of Weights recommended with the TRU TRAK® Sulky

Deck size	Gear Driven Mowers		Hydraulic Driven Mowers	
	Number of Weights	Weight Position	Number of Weights	Weight Position
36	3	Front	4	Front
40	4	Front	4	Front
48	1	Front	3	Front
52	0		2	Front
60	Not Available		1	Front

Step

3

Installing the Weight

Parts needed for this step:

1	Weight
2	Bolt (5/16 x 2 inches)
2	Bolt (5/16 x 3 inches)
2	Bolt (5/16 x 4 inches)
2	Bolt (5/16 x 5 inches)
2	Locknut (5/16 inch)
2	Washer (5/16 inch)

Procedure

1. Disengage the PTO, stop the engine, remove the key, and wait for all moving parts to stop before leaving the operating position.
2. Determine the size of bolt needed to install the weights.

Use the following table to determine the length of the bolt needed for the number of weights to be installed.

Size of bolt to use:	Number weights to install
5/16 x 2 inches	1
5/16 x 3 inches	2
5/16 x 4 inches	3
5/16 x 5 inches	4

3. Install the weight to the mower with 2 bolts (find size in table), 2 washers (5/16 inch), and 2 nuts (5/16 inch) (Figure 1 or Figure 2).

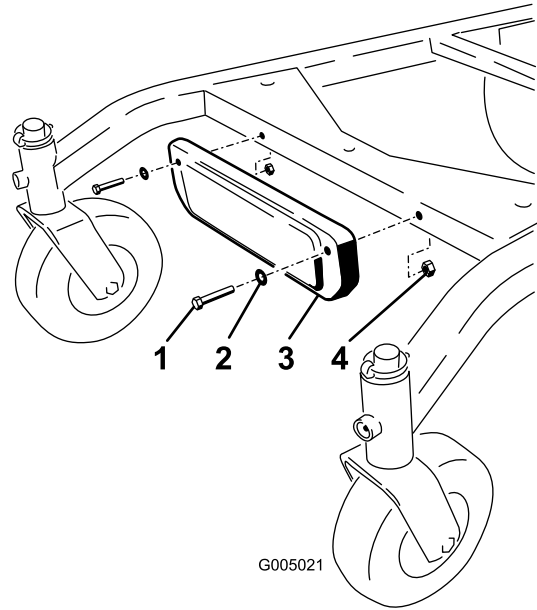


Figure 1

Installing the front weight.

1. Bolt
2. Washer
3. Weight
4. Nut

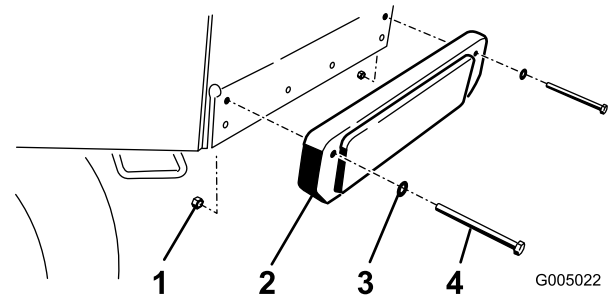


Figure 2

Installing the rear weight.

1. Nut
2. Weight
3. Washer
4. Bolt



Count on it.