

Operator s Manual

Mulch Kit

For 600-series tractors with a 38-inch or 42-inch Deck

Models
77210
190-116

MTD PRODUCTS INC. P.O. BOX 368022 CLEVELAND, OHIO 44136-9722

PRINTED IN U.S.A.

FORM NO. 770-10435
(8/2000)

SECTION 1: TO THE OWNER

The Model 116 mulch kit replaces the Model 112 kit. It is designed for use with 38-inch or 42-inch cutting decks on 600-series lawn tractors manufactured **after** 1996 ONLY. It will NOT fit on tractors with decks made in 1996 or prior. If you should own such a tractor and would like to convert the deck to a mulcher, purchase kit OEM-190-096 (38-inch decks) or kit OEM-190-097 (42-inch decks). If you are unsure of the exact manufacturing date of your tractor, you may contact the Customer Support department by dialing 1(800) 800-7310. Have your tractor's model number and serial number ready for prompt service.

NOTE: References to LEFT and RIGHT indicate the left and right sides of the tractor when facing forward in the operator's position. Reference to the FRONT indicates the grille end; to the REAR the drawbar end.

SECTION 2: CONTENTS OF CARTON

Before beginning installation, remove all parts from the carton and compare them to Figure 1. Carton contents are listed below with part numbers in parentheses. Tools required for kit installation are listed in the inset of Figure 1.

One Mulch Plug	(731-2363)	One 1/4-20 x .6 Carriage Screw	(710-0134)
One LH Skirt for 38-inch Decks	(783-1300)	One 1/4-20 x .6 Hex Screw	(710-0751)
One RH Skirt for 38-inch Decks	(783-1299)	One Bell Washer	(736-0270)
One LH Skirt for 42-inch Decks	(783-1258A)	One 1/4-20 Plastic Wing Nut	(712-3087)
One RH Skirt for 42-inch Decks	(783-1259A)	One Mulch Plug Drill Guide	(726-0211)
Six 1/4-20 x .5 Self-tapping Screws	(710-0599)		

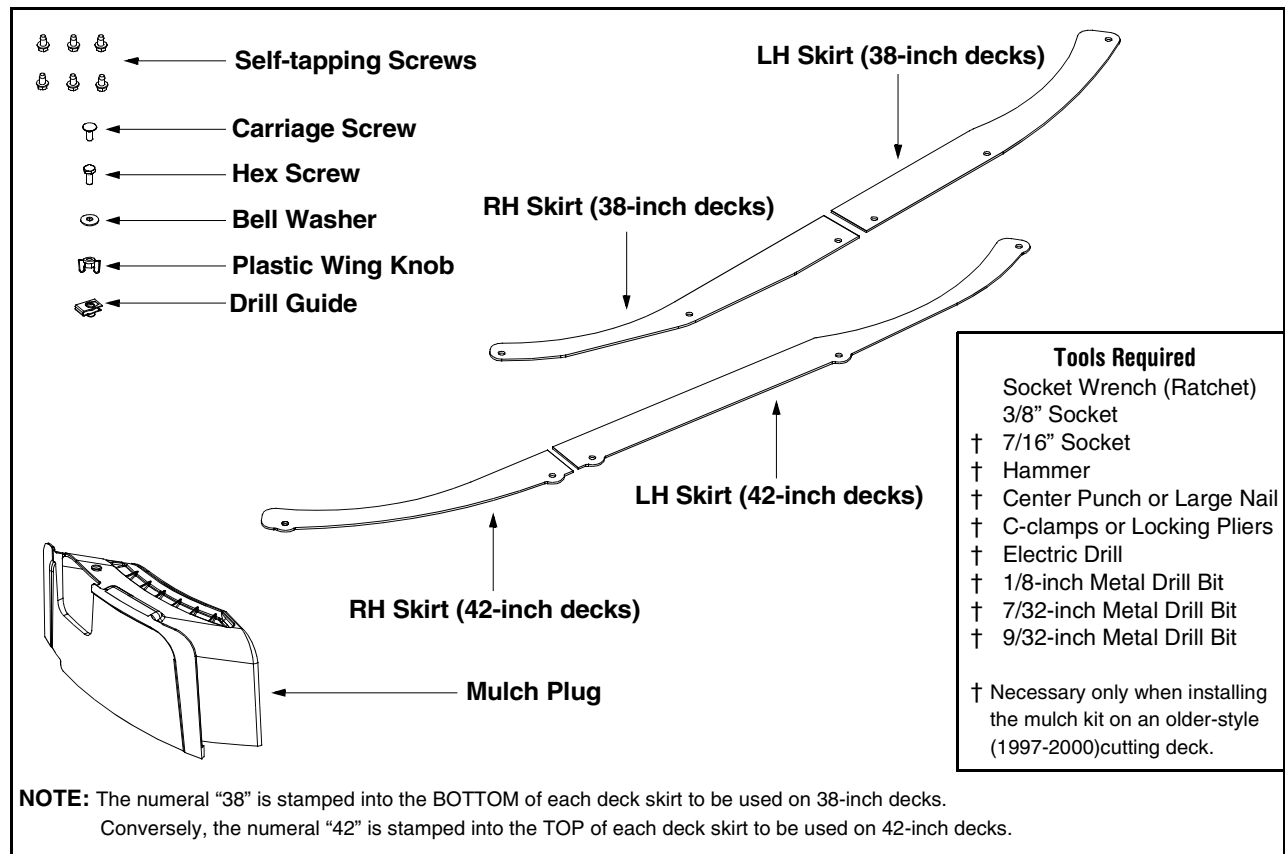


Figure 1

NOTE: Due to the fact that OEM-190-116 mulch kit is designed for use on both 38-inch cutting decks and 42-inch cutting decks, not all of the contents of the carton will be used for your tractor's deck application.

SECTION 3: INSTALLING THE MULCH KIT

NOTE: Tractors with older-style cutting decks (manufactured between 1997 and 2000) do NOT have holes pre-drilled for mounting the mulch plug and deck skirts. All tractors manufactured in 2001 or later will have pre-drilled holes in the cutting deck.

Installing the Mulch Plug

The following instructions apply to **both** 38-inch cutting decks and 42-inch cutting decks.

Tractor's Manufactured in 2001 or later (with pre-drilled holes)

1. Locate the square hole found in the cutting deck surface by pivoting the discharge chute upward.
2. Install the mulch plug and secure it in place with the carriage screw, bell washer and plastic wing nut as illustrated in Figure 2.

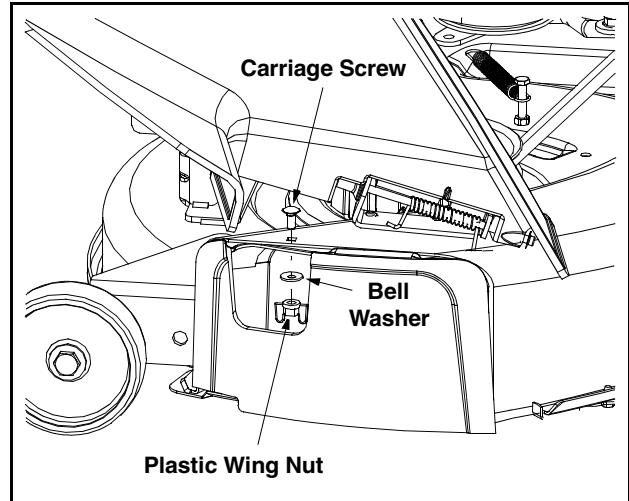


Figure 2

Tractor's Manufactured Prior to 2001 (without pre-drilled holes)

1. Place the mulch plug drill guide included with this kit in place **on the surface** (NOT over the lip) of the mulch plug as shown in Figure 3.
2. Pivot the discharge chute upward and place the mulch plug (with the drill guide still resting in the hole on its surface) inside the discharge chute opening. The drill guide will slide smoothly over the top lip of the discharge chute opening.
3. Mark the location on the cutting deck surface through the drill guide opening with a hammer and center punch or large nail.
4. Remove the mulch plug and discard the drill guide.
5. Using a 1/8" bit, carefully drill a pilot hole into the cutting deck surface where the mark was made in the step 3.
6. Using a 9/32" bit, carefully drill out the pilot hole just made.
7. Reposition the mulch plug in place over the discharge chute opening and fasten it with the hex screw, bell washer and plastic wing nut as illustrated in Figure 4.
8. Secure the mulch plug by snugging the hex screw (NOT one of the self-tapping screws) with a 7/16-inch wrench.

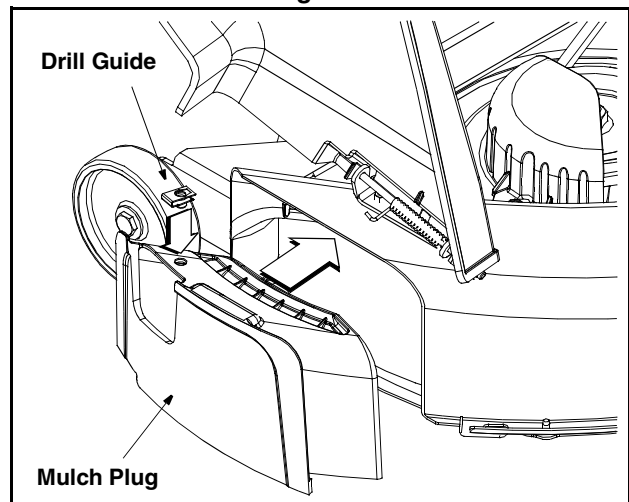


Figure 3

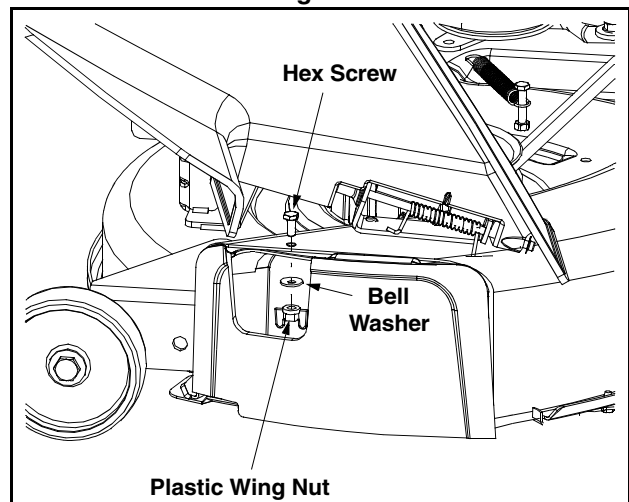


Figure 4

Attaching the Deck Skirts

38-inch Decks

The following instructions are for the installation of the mulch kit on tractor's equipped with a 38-inch deck only. If your tractor is equipped with a 42-inch deck, disregard these instructions and skip to the instructions on page 6 under the heading **42-inch Decks**.



WARNING: Before attempting to install the mulch kit, move the machine to flat, level ground, disengage PTO, shift to neutral, set parking brake, stop engine and remove key to prevent unintended starting.



WARNING: Always wear safety glasses before performing the following instructions.

NOTE: *On tractor's with pre-drilled holes along the cutting deck's front lip, it is easier, but NOT necessary, to remove the cutting deck from the tractor in order to complete the following steps.*

1. Remove the cutting deck as instructed in your tractor's Operator's Manual.
2. Carefully flip the cutting deck over to expose its underside.
3. Clean all debris from the underside of the deck, specifically the area near the front edge.
4. Position the deck skirt segments over the front edge of the cutting deck as illustrated in Figure 5. Use locking pliers or C-clamps to secure the skirt segments in place.

NOTE: *On newer-style tractor decks (manufactured in 2001 or later), holes are drilled into the deck at the factory that will align with the holes found in the deck skirt segments.*

IMPORTANT: The numeral "38" is stamped into the **BOTTOM** of each deck skirt segment (when viewed in its operating position). Be certain that the stamped side **is facing you** when positioning the skirt segments over the front edge of the cutting deck, with the deck flipped upside down.

5. On tractor's without pre-drilled holes, use a hammer and center punch (or large nail) to mark the six locations where it will be necessary to drill holes into the cutting deck.
6. Using a 1/8" bit, carefully drill pilot holes into the cutting deck where the six center-punch marks were made in the step 5.
7. Using a 7/32" bit, carefully drill out the pilot holes just made.
8. Fasten the LH skirt segment in place over the front edge of the cutting deck with three self-tapping screws.

IMPORTANT: Be certain to fasten the deck skirt so that the heads of the screws are on the **underside** of the cutting deck when it's in its operating position.

9. Fasten the RH skirt segment in place over the front edge of the cutting deck with the three remaining self-tapping screws.
10. Release the clamping pliers or C-clamps from the cutting deck and set them aside.
11. Secure both skirt segments by tightening all six screws with a 3/8-inch wrench.

38-inch Decks

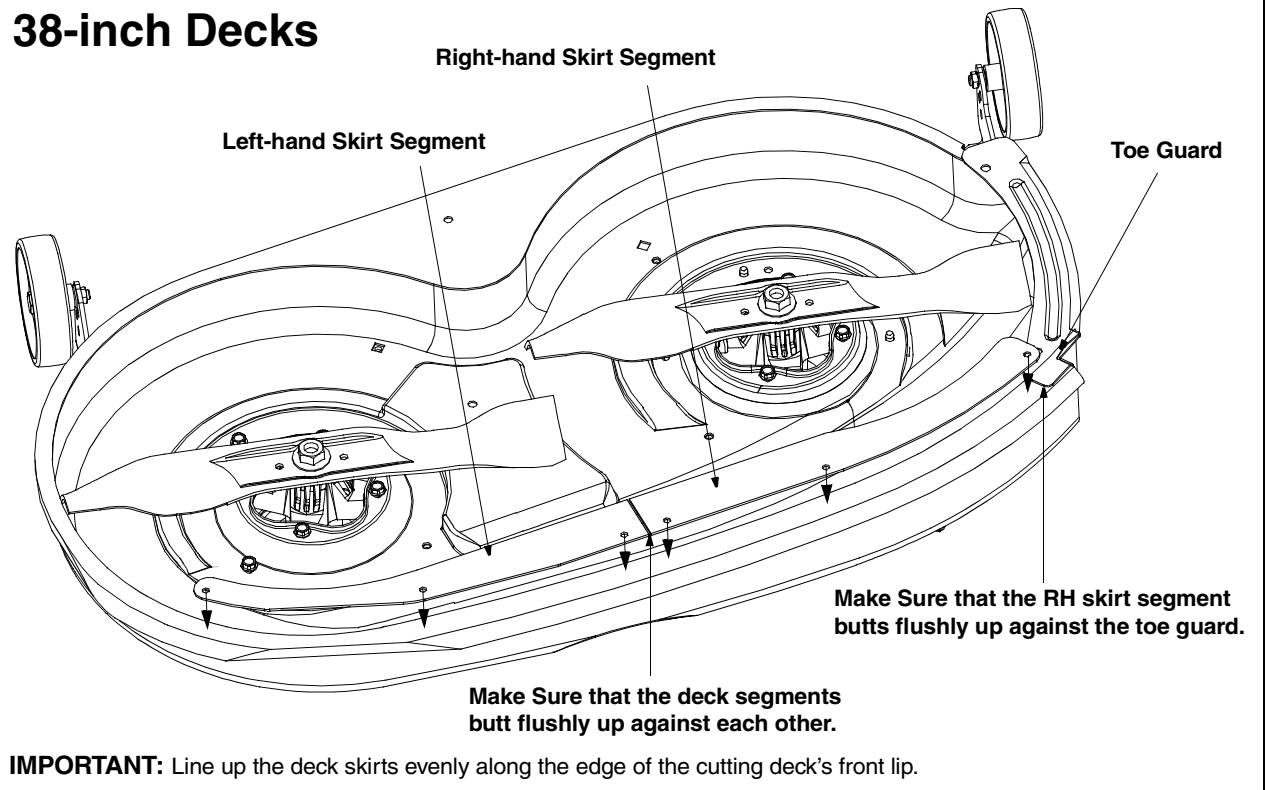


Figure 5

Attaching the Deck Skirts

42-inch Decks

The following instructions are for the installation of the mulch kit on tractor's equipped with a 42-inch deck only. If your tractor is equipped with a 38-inch deck, disregard these instructions and refer to the previous instructions on page 4 under the heading **38-inch Decks**.



WARNING: Before attempting to install the mulch kit, move the machine to flat, level ground, disengage PTO, shift to neutral, set parking brake, stop engine and remove key to prevent unintended starting.



WARNING: Always wear safety glasses before performing the following instructions.

NOTE: *On tractor's with pre-drilled holes along the cutting deck's front lip, it is easier, but NOT necessary, to remove the cutting deck from the tractor in order to complete the following steps.*

1. Remove the cutting deck as instructed in your tractor's Operator's Manual.
2. Carefully flip the cutting deck over to expose its underside.
3. Clean all debris from the underside of the deck, specifically the area near the front edge.
4. Position the deck skirt segments over the front edge of the cutting deck as illustrated in Figure 6. Use locking pliers or C-clamps to secure the skirt segments in place.

NOTE: *On newer-style tractor decks (manufactured in 2001 or later), holes are drilled into the deck at the factory that will align with the holes found in the deck skirt segments.*

IMPORTANT: The numeral "42" is stamped into the TOP of each deck skirt segment (when viewed in its operating position). Be certain that the stamped side **is facing away from you** when positioning the skirt segments over the front edge of the cutting deck, with the deck flipped upside down.

5. On tractor's without pre-drilled holes, use a hammer and center punch (or large nail) to mark the six locations where it will be necessary to drill holes into the cutting deck.
6. Using a 1/8" bit, carefully drill pilot holes into the cutting deck where the six center-punch marks were made in the step 5.
7. Using a 7/32" bit, carefully drill out the pilot holes just made.
8. Fasten the LH skirt segment in place over the front edge of the cutting deck with three self-tapping screws.

IMPORTANT: Be certain to fasten the deck skirt so that the heads of the screws are on the **underside** of the cutting deck when it's in its operating position.

9. Fasten the RH skirt segment in place over the front edge of the cutting deck with the two remaining self-tapping screws.
10. Release the clamping pliers or C-clamps from the cutting deck and set them aside.
11. Secure both skirt segments by tightening all six screws with a 3/8-inch wrench.

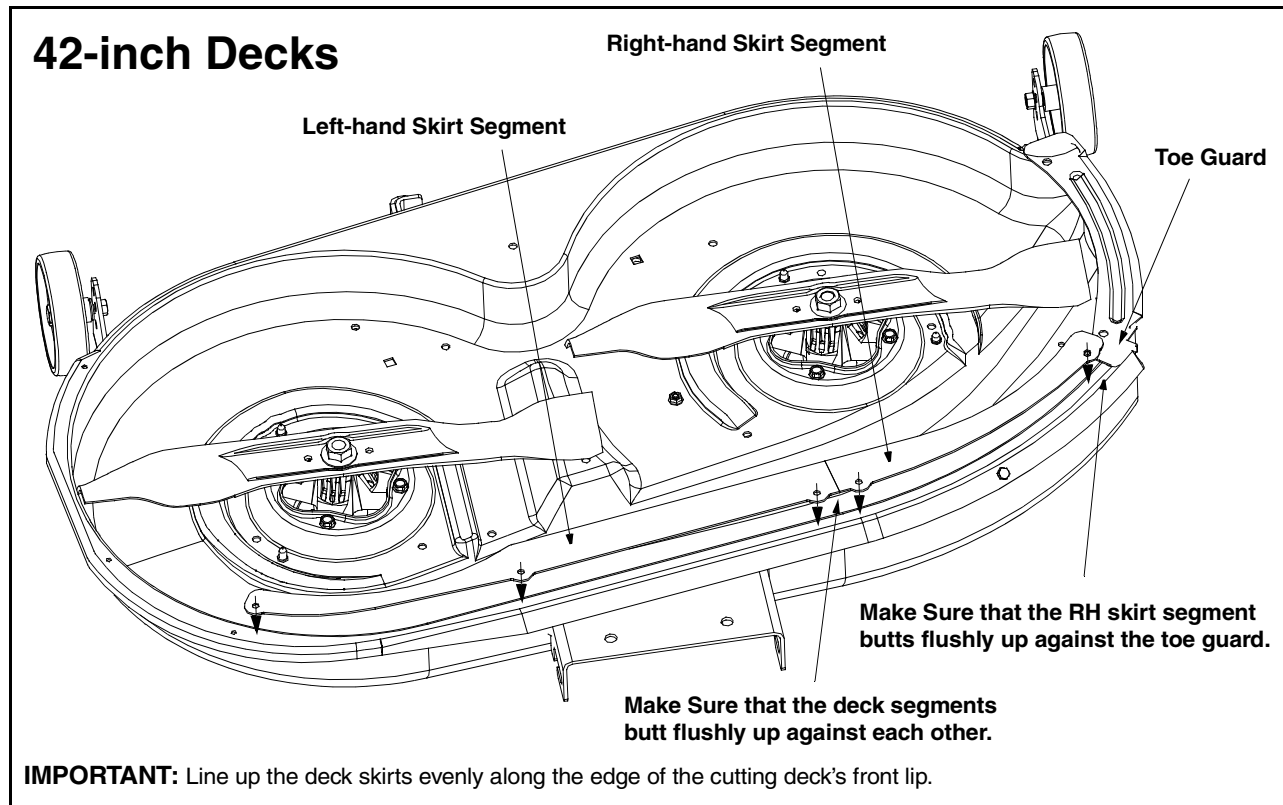


Figure 6

SECTION 4: USING THE MULCH KIT

This mulch kit incorporates special blades, already standard on your tractor's cutting deck, in a process of recirculating grass clippings repeatedly beneath the cutting deck. After which, the ultra-fine clippings are forced back into the lawn where they act as a natural fertilizer. Observe the following recommendations for the best results when mulching.



WARNING: Follow all safety warnings and instructions in your tractor's Operator's Manual before operating.

- Never attempt to mulch if the lawn is damp. Wet grass tends to stick to the underside of the cutting deck preventing proper mulching of the clippings.
- Do NOT attempt to mulch more than 1/3 the total height of the grass or approximately 1-1/2 inches. Doing so will cause the clippings to clump up beneath the deck and not be mulched effectively.
- Maintain a slow ground speed to allow the grass clippings more time to effectively be mulched.
- For effective mulching, position the throttle control in the FAST (rabbit) position and allow it to remain there while mowing. Failing to keep the engine at full throttle places strain on the tractor's engine and does not allow the blades to properly mulch grass.

NOTE: *It is not necessary to remove the discharge chute to operate the mower with the mulch kit installed. It is also unnecessary to remove the deck skirts should you choose to operate the mower without the mulch plug installed. Simply remove the mulch plug and allow the clippings to discharge as you normally would.*

MANUFACTURER'S LIMITED WARRANTY

The limited warranty set forth below is given by MTD PRODUCTS INC ("MTD") with respect to new merchandise purchased and used in the United States, its possessions and territories.

MTD warrants this product against defects in material and workmanship for a period of two (2) years commencing on the date of original purchase and will, at its option, repair or replace, free of charge, any part found to be defective in material or workmanship. This limited warranty shall only apply if this product has been operated and maintained in accordance with the Operator's Manual furnished with the product, and has not been subject to misuse, abuse, commercial use, neglect, accident, improper maintenance, alteration, vandalism, theft, fire, water or damage because of other peril or natural disaster. Damage resulting from the installation or use of any accessory or attachment not approved by MTD Products Inc. for use with the product(s) covered by this manual will void your warranty as to any resulting damages.

Normal wear parts or components thereof are subject to separate terms as follows: All normal wear part or component failures will be covered on the product for a period of 90 days regardless of cause. After 90 days, but within the two year period, normal wear part failures will be covered ONLY IF caused by defects in material or workmanship of OTHER component parts. Normal wear parts and components include, but are not limited to, belts, blades, blade adapters, grass bags, rider deck wheels, seats, snow thrower skid shoes, shave plates and tires. Batteries are covered by a 90-day limited replacement warranty.

HOW TO OBTAIN SERVICE: Warranty service is available, WITH PROOF OF PURCHASE THROUGH YOUR LOCAL AUTHORIZED SERVICE DEALER. To locate the dealer in your area, please check for a listing in the Yellow Pages or contact the Customer Service Department of MTD PRODUCTS INC by calling 1-800-800-7310 or writing to P.O. Box 368022, Cleveland, Ohio 44136-9722.

This limited warranty does not provide coverage in the following cases:

- a. The engine or component parts thereof. These items carry a separate manufacturer's warranty. Please refer to the applicable manufacturer's warranty on these items.
- b. Log splitter pumps, valves and cylinders have a separate one year warranty.

- c. Routine maintenance items such as lubricants, filters, blade sharpening and tune-ups, or adjustments such as brake adjustments, clutch adjustments or deck adjustments; and normal deterioration of the exterior finish due to use or exposure.
- d. MTD does not extend any warranty for products sold or exported outside of the United States of America, its possessions and territories, except those sold through MTD's authorized channels of export distribution.

No implied warranty, including any implied warranty of merchantability or fitness for a particular purpose, applies after the applicable period of express written warranty above as to the parts as identified. No other express warranty or guaranty, whether written or oral, except as mentioned above, given by any person or entity, including a dealer or retailer, with respect to any product shall bind MTD. During the period of the Warranty, the exclusive remedy is repair or replacement of the product as set forth above. (Some states do not allow limitations on how long an implied warranty lasts, so the above limitation may not apply to you.)

The provisions as set forth in this Warranty provide the sole and exclusive remedy arising from the sales. MTD shall not be liable for incidental or consequential loss or damages including, without limitation, expenses incurred for substitute or replacement lawn care services, for transportation or for related expenses, or for rental expenses to temporarily replace a warranted product. (Some states do not allow the exclusion or limitation of incidental or consequential damages, so the above exclusion or limitation may not apply to you.)

In no event shall recovery of any kind be greater than the amount of the purchase price of the product sold. Alteration of the safety features of the product shall void this Warranty. You assume the risk and liability for loss, damage, or injury to you and your property and/or to others and their property arising out of the use or misuse or inability to use the product.

This limited warranty shall not extend to anyone other than the original purchaser, original lessee or the person for whom it was purchased as a gift.

How State Law Relates to this Warranty: This limited warranty gives you specific legal rights, and you may also have other rights which vary from state to state.