



TX Platform Diesel-Powered TX Compact Utility Loader

Model No. 22476 - 270000001 and up.

Parts Catalog

Ordering Replacement Parts

To order replacement parts, please supply the part number, the quantity, and the description of each part desired.

Understanding Reference Numbers

Each Identified part in an illustration has a reference number. The reference number for a part also appears in the parts list, along with other information about the part.

This catalog uses two special reference number formats, one to indicate parts in a service assembly and another to indicate the quantity of a given part in an illustration.

Service Assembly Reference Numbers

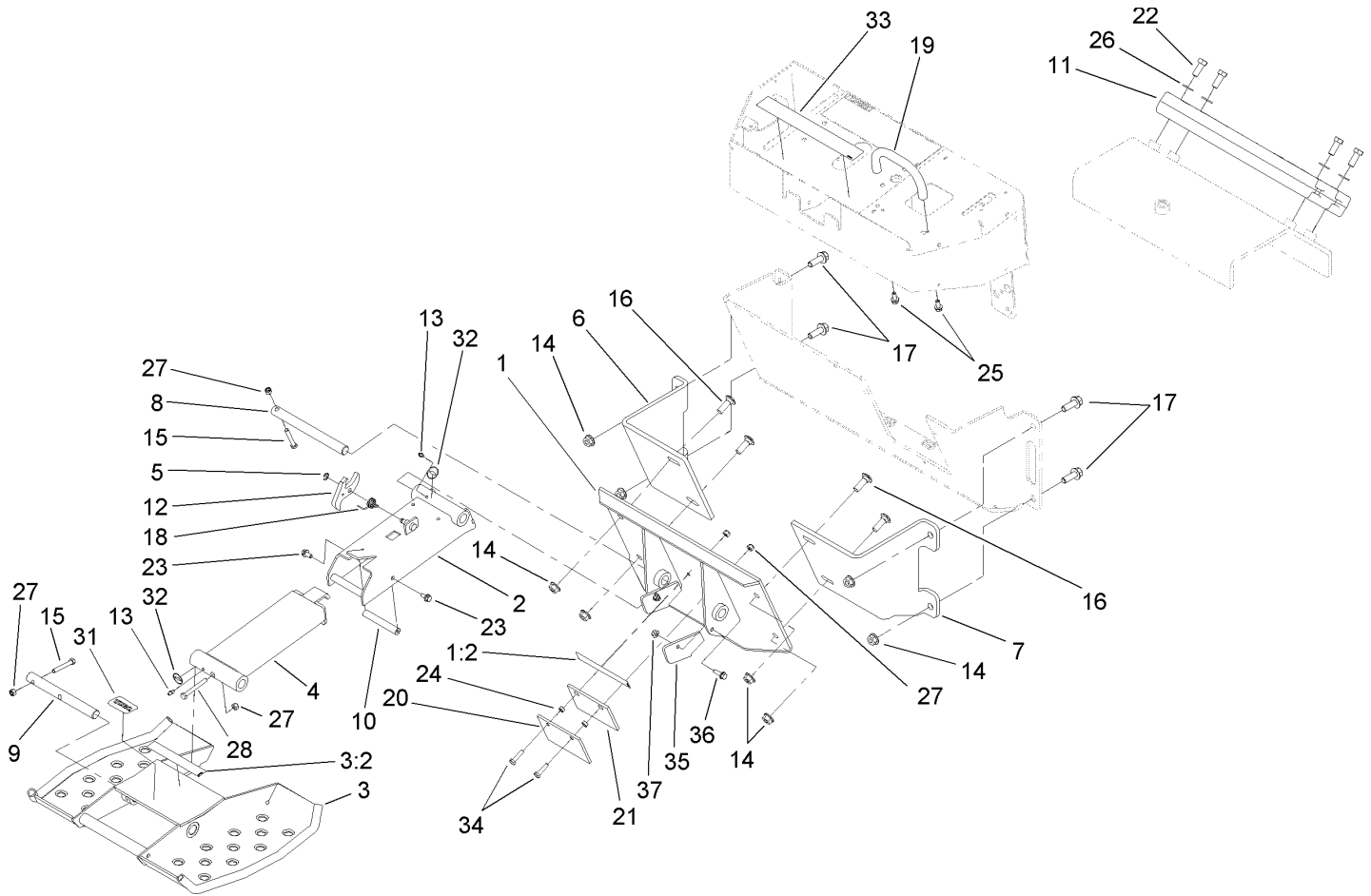
Parts in service assemblies have reference numbers in the form a:b. The a represents the reference number of the entire service assembly and the b represents a sequential number unique to each part within the service assembly.

For example, a wheel assembly might be identified by reference number 6, the tire by 6:1, the valve by 6:2, and the wheel by 6:3. When you order the assembly identified by reference number 6, you receive all parts identified by reference numbers 6:1, 6:2, and 6:3. However, you may also order any part individually. Reference numbers of this type appear in illustrations and in part lists.

Reference Numbers Indicating Quantity

In an illustration, if a reference number indicates more than one part, the reference number has the form nX y. The n represents the quantity of the part, the X is the multiplication symbol, and the y represents the reference number.

For example, in an illustration, the reference number 2X 37 means that two of the parts identified by reference number 37 are indicated.



Platform Assembly

Ref	Part No.	Qty.	Description
1	112-2745	1	Mounting Plate ASM
1:2	94-3353	1	Decal-Point, Pinch
2	112-2628-01	1	Linkage-Wrapper
3	112-2746	1	Platform ASM
3:2	94-3353	1	Decal-Point, Pinch
4	110-0129-01	1	Slide ASM
5	105-7004	1	E-Ring
6	110-0219-01	1	Mount-Diesel, LH
7	110-0220-01	1	Mount-Diesel, RH
8	110-0106	1	Pin-Upper
9	110-0190	1	Pin-Lower
10	110-0192-01	1	Rod-Clamp
11	99-6166-01	1	Counterweight-Front
12	112-2618	1	Latch
13	302-5	2	Fitting-Grease
14	32128-49	8	Nut-HHF
15	322-11	2	Screw-HH
16	3233-2	4	Screw-CARR
17	100-6116	4	Screw-HHF
18	75-3970	1	Spring-Torsion, RH
19	112-2620	1	Bar-Reference
20	112-2696-01	1	Plate-Push
21	112-2698	1	Pad-Rubber
22	325-5	4	Screw-HH

Ref	Part No.	Qty.	Description
23	3234-14	2	Screw-HHF
24	65-9330	2	Spacer
25	3234-5	2	Screw-HHF
26	3256-26	4	Washer-Flat
27	3296-29	5	Nut-Lock, NI
28	322-13	1	Screw-HH
31	98-3206	1	Decal
32	58-6520	2	Decal-Grease
33	112-2744	1	Decal-Warning/Instructional
34	322-47	2	Screw-HH
35	114-1252	2	Plate-Bumper
36	3234-17	2	Screw-HHF
37	32128-20	2	Nut-HF