



Chute Gate Kit

For 48in, 52in, 60in, and 72in Mower Decks for Z400 and Z500 Series Z Master Riding Mowers

Model No. 78521

Model No. 78522

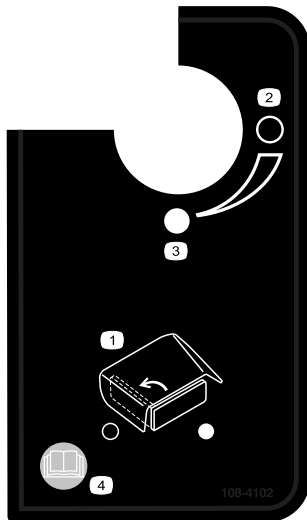
Installation Instructions

Safety

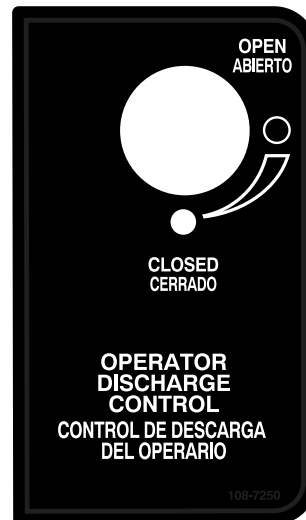
Safety and Instructional Decals



Safety decals and instructions are easily visible to the operator and are located near any area of potential danger. Replace any decal that is damaged or lost.



108-4102



108-7250

- | | |
|-------------------------------|--|
| 1. Operator discharge control | 3. Closed |
| 2. Open | 4. Read the <i>Operator's Manual</i> . |

Installation

Loose Parts

Use the chart below to verify that all parts have been shipped.

| Step | Description | Qty. | Use |
|----------|--|---------------------------------|--|
| 1 | No parts required | – | Remove the existing side discharge chute. |
| 2 | Side discharge chute Bolt, (5/16 x 7–1/2 inches) Locknut, (5/16 inch) Plastic spacer Spring | 1 1 1 1 1 | Install the side discharge chute with gate. |
| 3 | Handle assembly Bolt, 3/8 x 3 inches | 1 1 | Install the handle to the height-of-cut panel. |
| 4 | Small R-clamp (for 48 inch mowers) Large R-clamp (for 52, 60 and 72 inch mowers) Bolt, (5/16 x 3/4 inch) Locknut, (5/16 inch) Bolt, (3/8 x 1 inch) Plastic cable ties Adhesive back mount Locknut, (3/8 inch) | 1 1 1 1 1 1 1 | Secure the cables. |
| 5 | International decal | 1 | Install the decal for international mowers only. |

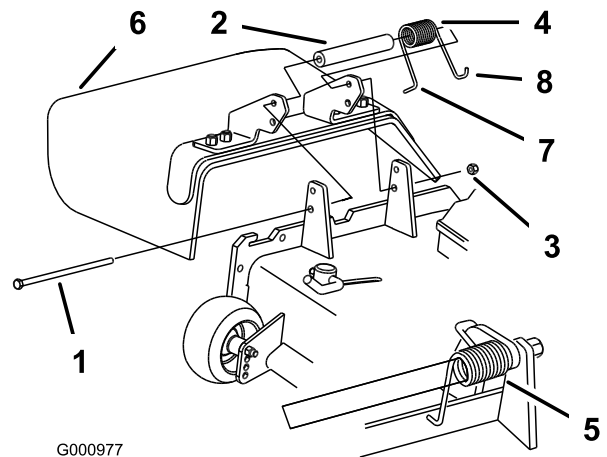
Step **1**

Removing the Existing Side Discharge Chute

No Parts Required

Procedure

1. Disengage the PTO, set the parking brake, and chock or block the drive wheels.
2. Turn off the engine, remove the key, and wait for all moving parts to stop before leaving the operating position.
3. Remove the locknut, bolt, spring and spacer holding the deflector to the pivot brackets (Figure 1). Remove the grass deflector.



G000977

Figure 1

- | | |
|------------|---|
| 1. Bolt | 5. Spring installed |
| 2. Spacer | 6. Grass Deflector |
| 3. Locknut | 7. L end of spring, place behind deck edge before installing bolt |
| 4. Spring | 8. J hook end of spring |

Step

2

Installing the Side Discharge Chute with Gate

Parts needed for this step:

| | |
|---|-----------------------------|
| 1 | Side discharge chute |
| 1 | Bolt, (5/16 x 7-1/2 inches) |
| 1 | Locknut, (5/16 inch) |
| 1 | Plastic spacer |
| 1 | Spring |

Procedure



An uncovered discharge opening could allow the lawn mower to throw objects in the operator's or bystander's direction and result in serious injury. Also, contact with the blade could occur.

- Never operate the lawn mower unless you install a cover plate, a mulch plate, or a grass chute and catcher.
- Make sure the grass deflector is in the down position.

Note: Ensure the grass deflector is installed in the lower holes in the mower deck brackets.

1. Place the new spacer and spring onto grass deflector. Place one end of spring behind deck edge.

Note: Make sure the end of the spring is installed behind the deck edge before installing the bolt as shown in .

2. Install bolt and nut in the lower hole. Place the end of the spring around the grass deflector (Figure 2).
3. Tighten the nut until the end of the bolt is flush with the end of the nut. Do not over tighten.

Important: The grass deflector must be able to lower down into position. Lift the deflector up to test that it lowers into the full down position.

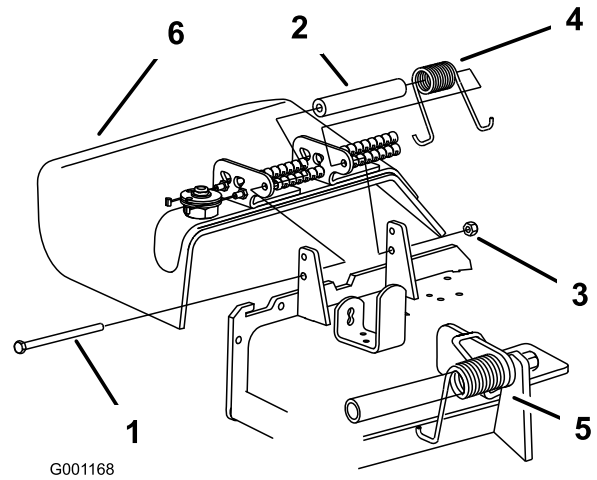


Figure 2

1. Bolt
2. Spacer
3. Locknut
4. Spring
5. Spring installed
6. Grass Deflector

Step

3

Installing the Handle to the Height-of-Cut Panel

Parts needed for this step:

| | |
|---|----------------------|
| 1 | Handle assembly |
| 1 | Bolt, 3/8 x 3 inches |

Procedure

1. Remove the top bolt that holds the height-of-cut panel and pin with lanyard to the machine (Figure 3). Discard the bolt.
2. Loosen the bottom bolt that holds the height-of-cut panel to the machine (Figure 3).

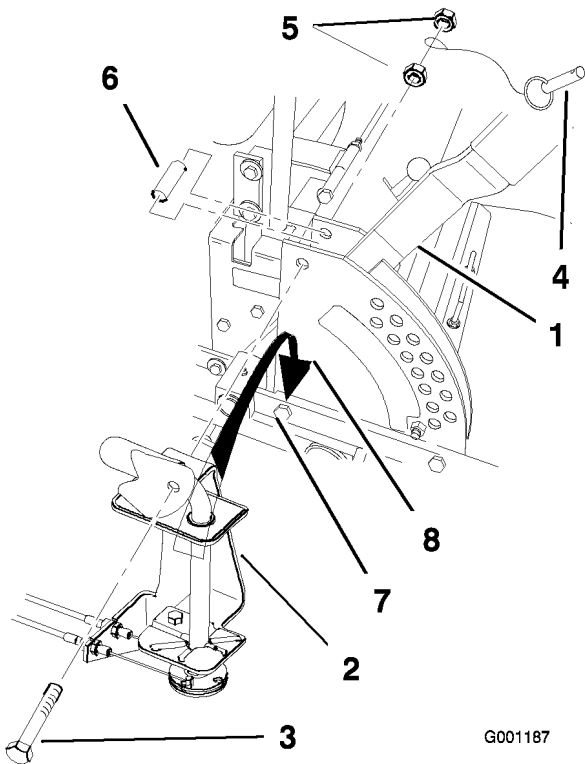


Figure 3

- | | |
|-------------------------|---|
| 1. Height-of-cut handle | 5. Locknut |
| 2. Handle assembly | 6. Spacer |
| 3. Bolt, 3/8 x 3 inches | 7. Bottom bolt |
| 4. Pin and lanyard | 8. Install slot between bolt head and height-of-cut plate |

- Slide the slot at the bottom of the handle assembly in between the bottom bolt head and the height-of-cut panel (Figure 3 and Figure 4).
- Using the new bolt (3/8 x 3 inches) and hardware previously removed, install the handle assembly to the outside of the height-of-cut panel (Figure 3). See Figure 4 for the correct hole to use in the handle assembly.

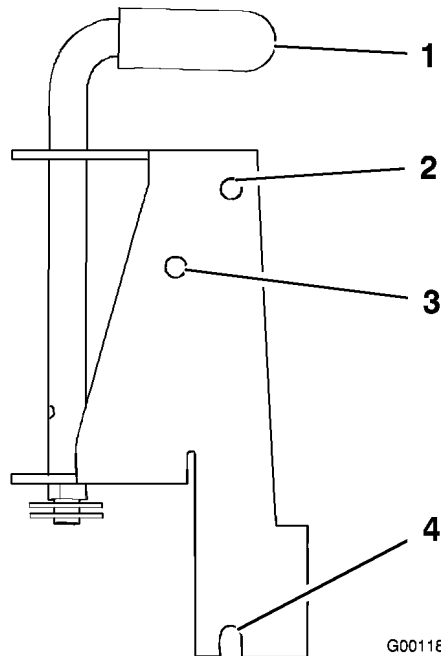


Figure 4

- | | |
|---------------------|------------------------|
| 1. Handle assembly | 3. Z 400 upper hole |
| 2. Z 500 upper hole | 4. Slot for installing |

Step **4**

Securing the Cables

Parts needed for this step:

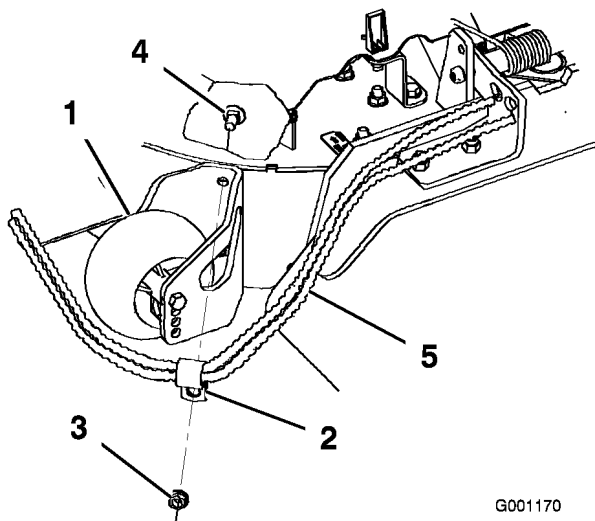
| | |
|---|---|
| 1 | Small R-clamp (for 48 inch mowers) |
| 1 | Large R-clamp (for 52, 60 and 72 inch mowers) |
| 1 | Bolt, (5/16 x 3/4 inch) |
| 1 | Locknut, (5/16 inch) |
| 1 | Bolt, (3/8 x 1 inch) |
| 1 | Plastic cable ties |
| 1 | Adhesive back mount |
| 1 | Locknut, (3/8 inch) |

Procedure

Secure the cables to the mower deck to ensure the cables do not interfere with the rear tires. Use the following figures for the correct deck configuration that your machine has.

- For mower decks with a roller bracket, remove the existing upper bolt from the right rear gauge wheel bracket. Save the locknut and discard the bolt.

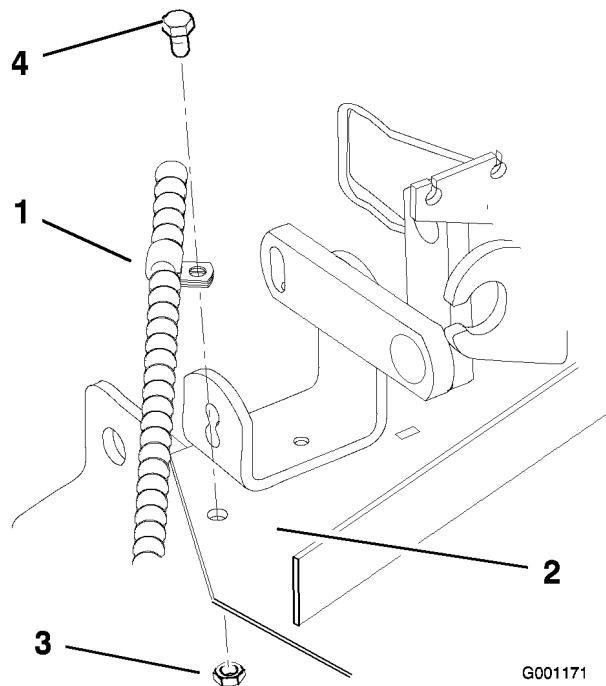
2. Install the large R-clamp to the outside of the mower deck and gauge wheel bracket with a bolt (3/8 x 1 inch) and new locknut (Figure 5).



G001170

Figure 5

- | | |
|---------------------------------------|--------------------------|
| 1. Right rear gauge wheel and bracket | 4. Bolt, (5/16 x 1 inch) |
| 2. Large R-clamp | 5. Cables |
| 3. Locknut, (5/16 inch) | |

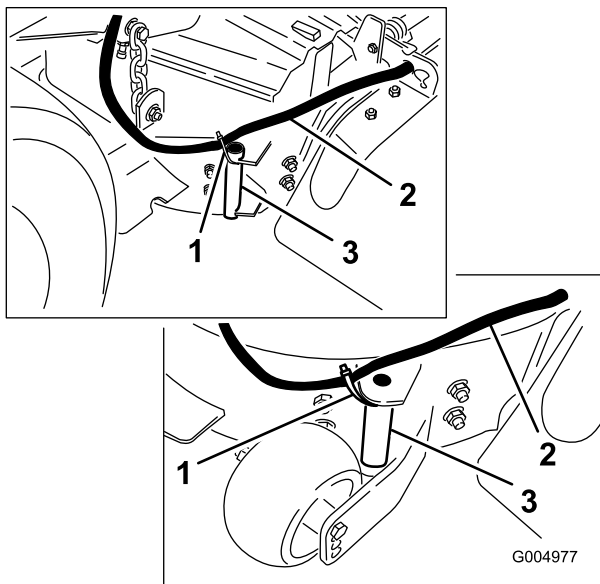


G001171

Figure 7

- | | |
|--------------------------------|----------------------------|
| 1. Small R-clamp | 3. Locknut, (5/16 inch) |
| 2. Existing hole in mower deck | 4. Bolt, (5/16 x 3/4 inch) |

3. For mower decks with a pivot tube, secure the cables with a plastic cable tie (Figure 6).

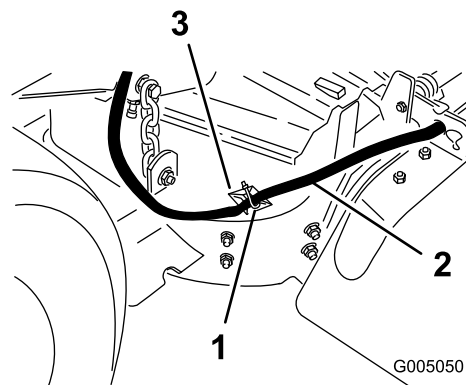


G004977

Figure 6

- | | |
|----------------------|---------------|
| 1. Plastic cable tie | 3. Pivot tube |
| 2. Cables | |

5. For all other mowers, install the adhesive back plastic mount on a smooth clean surface. Thread the cable tie through the plastic mount and secure the cables with the cable tie (Figure 8).



G005050

Figure 8

- | | |
|----------------------|------------------|
| 1. Plastic cable tie | 3. Plastic mount |
| 2. Cables | |

4. For 48 inch mowers, install the small R-clamp to the mower deck with a bolt (5/16 x 3/4 inch) and locknut (5/16 inch) using the existing hole in the right rear top of the deck (Figure 7).

Step

5

Installing the Decal for International Mowers Only

Parts needed for this step:

| | |
|---|---------------------|
| 1 | International decal |
|---|---------------------|

Procedure

Install the decal over the existing decal (Figure 7).

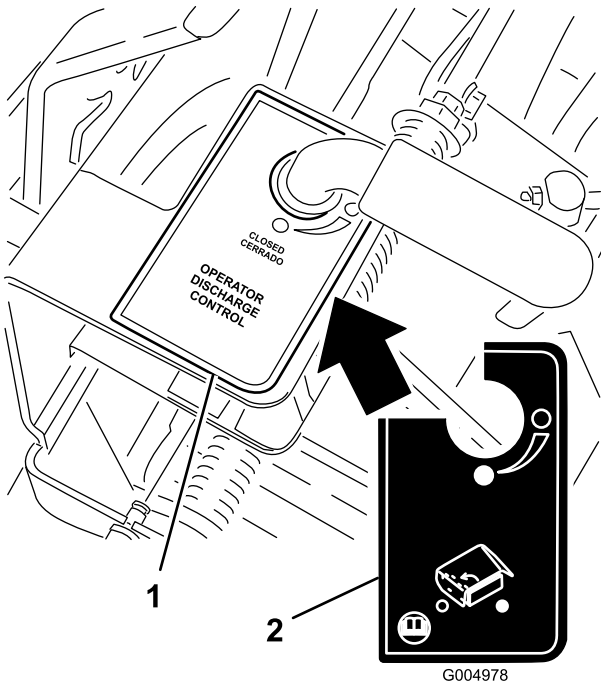


Figure 9

1. Existing decal
2. Handle
3. International decal

Operation

Using the Chute Gate

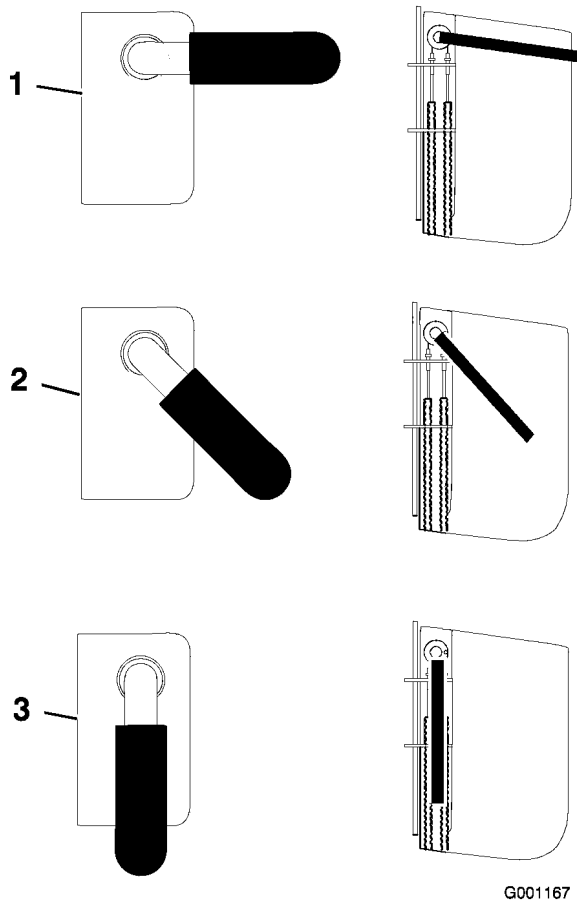


The chute gate does not seal the discharge opening. Grass and objects may be thrown in a bystander's direction and result in serious injury.

- Be aware of the mower discharge direction and do not point it at anyone.
- Remove obstacles such as rocks, tree limbs, etc. from the mowing area.
- Never put your hands or feet under the mower or discharge area.
- Never try to clear the discharge area or mower blades unless the engine is off and the key is removed.

Use the chute gate to temporarily stop or deflect grass clippings away from sidewalks, parking lots, patios, or anywhere you do not want grass clippings to land. The chute gate has 3 positions: open, 45 degree angle, and closed.

- Rotate the chute gate handle to the open position to allow grass clippings to discharge (FigureFigure 10).
- Rotate the chute gate handle to the 45 degree angle to deflect the grass clippings (FigureFigure 10).
- Rotate the chute gate handle to the closed position to stop the grass clippings (FigureFigure 10).



G001167

Figure 10

1. Chute gate open
2. Chute gate at 45 degree angle
3. Chute gate closed



Count on it.