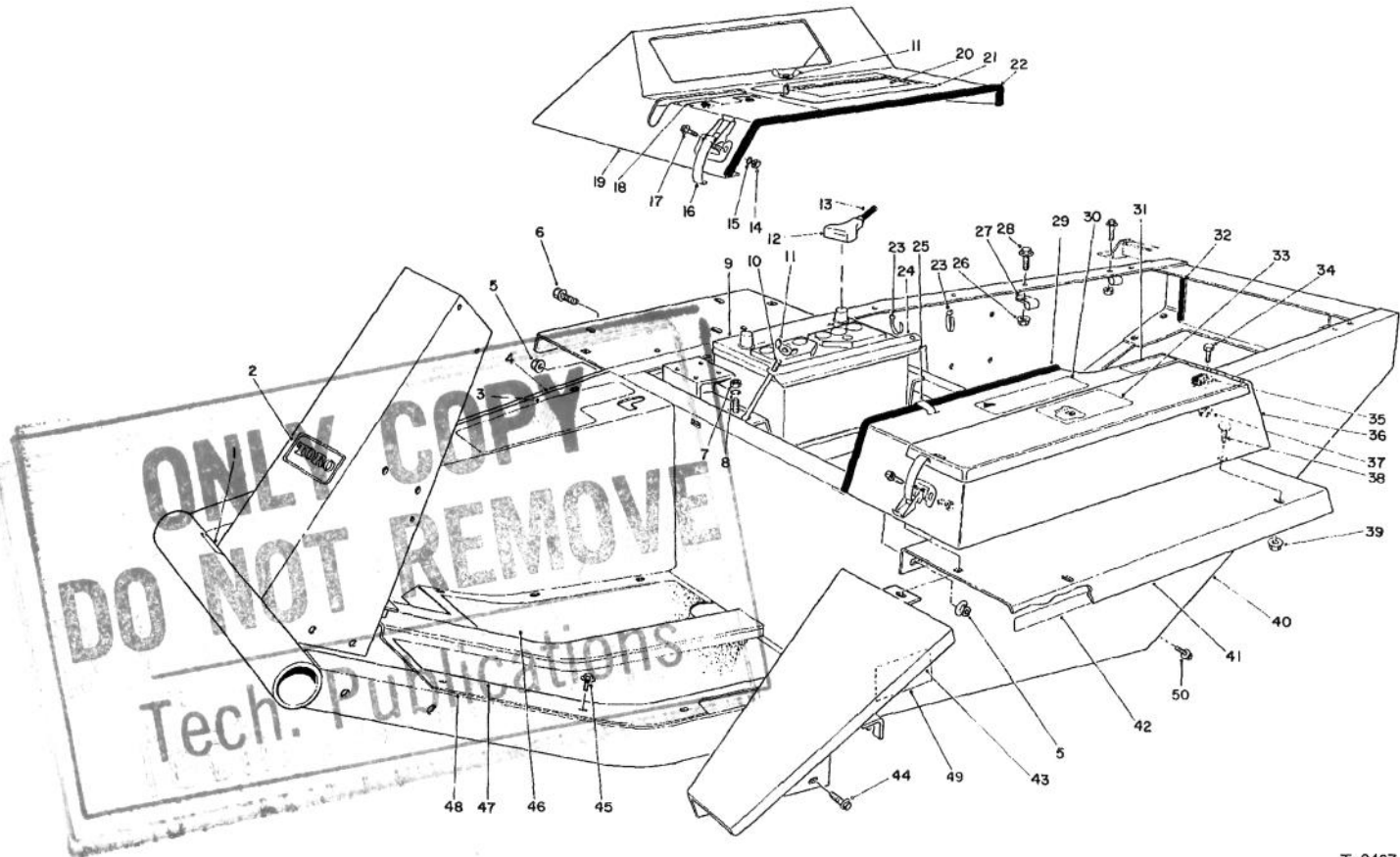




MODEL NO. 30788-10431 & UP  
 MODEL NO. 30722-10001 & UP  
 MODEL NO. 30710-10001 & UP

PARTS  
 CATALOG

**GROUNDMASTER® 322D**  
 (WITH POWER STEERING)



T-0407

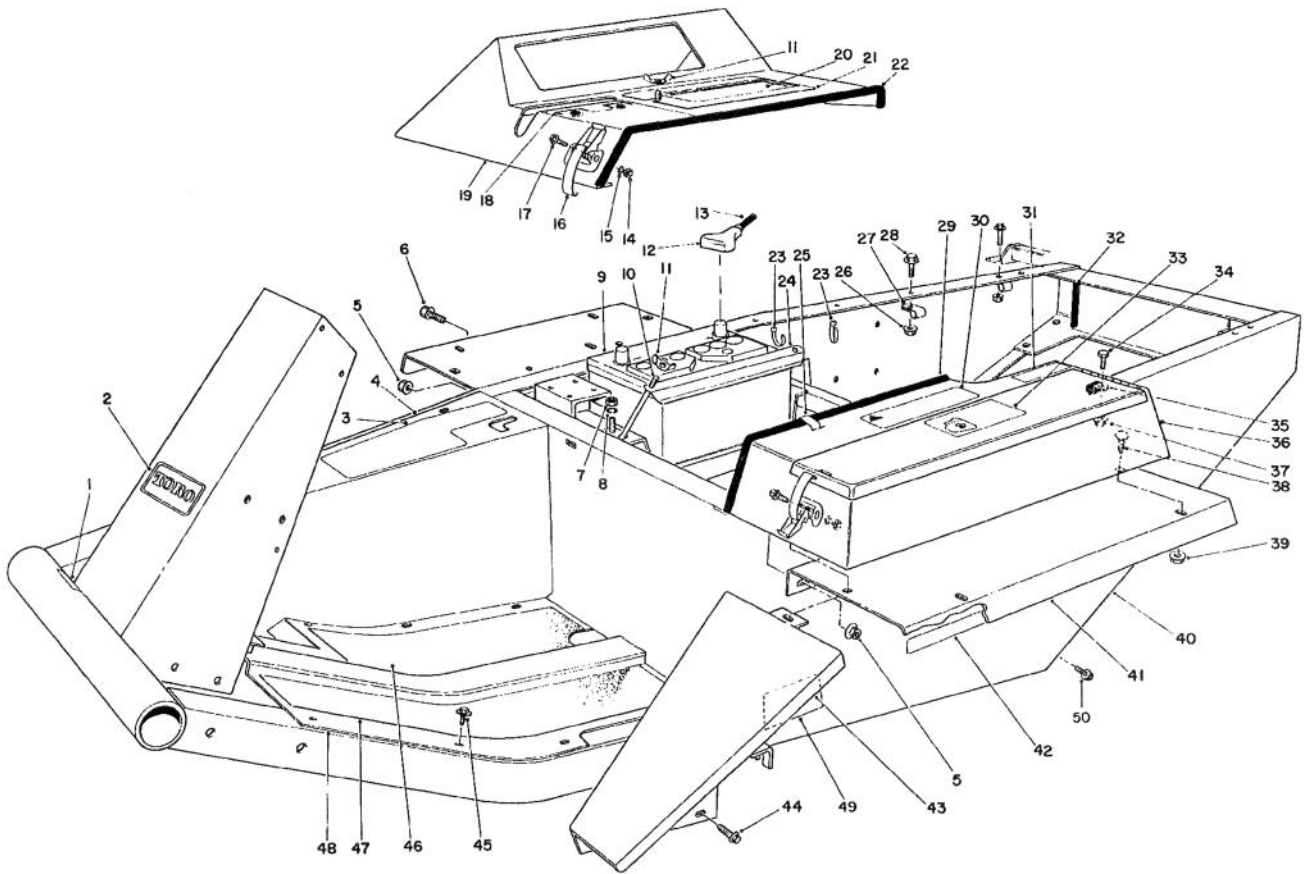
**MAIN FRAME ASSEMBLY**

Ref. No.	Part No.	Description	No. Used
1	27-7320	Decal - Traction Pedal	1
2	70-2200	Decal - Toro	1
3	66-6390	Decal - Caution	1
4	21-2660	Footrest	1
5	32128-21	Nut - Lock, Flange	10
6	3234-12	Screw - Hex. Hd. Flange	4
7	3217-6	Nut - Hex.	2
8	3253-4	Washer - Lock	2
†9		Battery Type MF24-78	1
10	24-6390	Stud - Battery Hold Down	2
11	32103-2	Nut - Wing	3
12	28-1280	Boot - Cable	1
13	70-1180	Cable - Battery Positive (Inc. Ref. #12)	1
14	3296-2	Nut	6
15	3253-17	Washer - Lock	4
16	249-21	Hook Clamp	3

†Obtain Locally

Ref. No.	Part No.	Description	No. Used
17	3290-144	Screw - Machine	6
18	27-7290	Decal - Power Take off	1
19	38-4550	Instrument Cover	1
20	43-4290	Decal - Starting Instructions	1
21	24-9740	Cover - Battery Access	1
22	39-8020	Trim - Instrument Cover	1
23	3290-378	Cable Tie	2
24	24-6420	Hold Down - Battery	1
25	2412-61	Clip - Tinnerman	2
26	3290-357	Nut - Lock, Flange	5
27	2412-4	Clamp	3
28	3234-11	Screw - w/Locking Flange	5
29	37-9650	Trim	1
30	67-1710	Decal - Caution	1
31	49-2280	Decal - Diesel Fuel	1
32	43-4300	Trim - Rear Frame	2
33	27-7310	Decal - Refueling	1

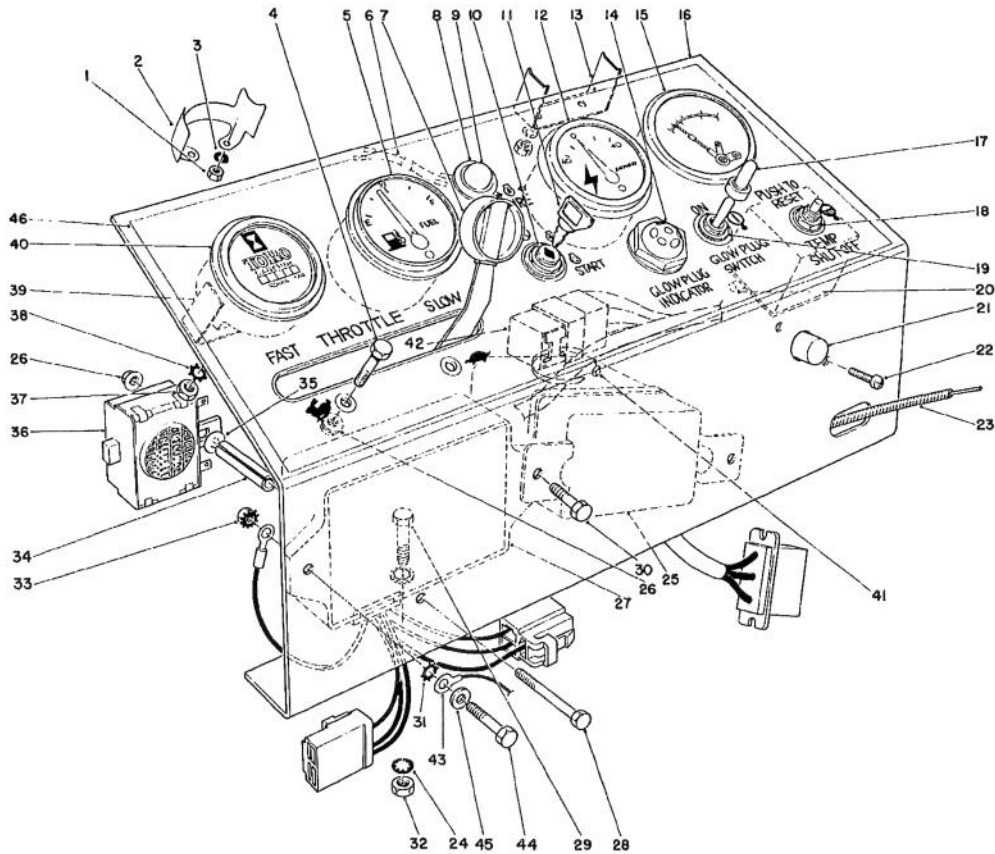
TPS



T-0407

## MAIN FRAME ASSEMBLY (Continued)

Ref. No.	Part No.	Description	No. Used	Ref. No.	Part No.	Description	No. Used
34	322-5	Screw - Cap, Hex. Hd.	1	42	67-1720	Decal - Torque	2
35	2412-74	Clamp	1	43	68-8610	Fender - Extension	1
36	38-4530	Tool Box	1	44	3234-14	Screw - Cap, Hex. Hd.	2
37	32128-20	Nut - Lock, Flange	1	45	12-3270	Screw, Self-Tapping	11
38	3229-1	Bolt - Carriage	5	46	21-2770	Pad - Foot Rest R.H.	1
39	32128-33	Nut - Lock, Flange	5	47	21-2760	Pad - Foot Rest L.H.	1
40	82-9970	Frame (Inc. Ref. #5 & 50)	1	48	77-3210	Floor Plate	1
41	72-3690	Fender	2	49	75-0810	Decal - Caution	2
				50	3234-25	Screw - Cap, Flange Hd.	4

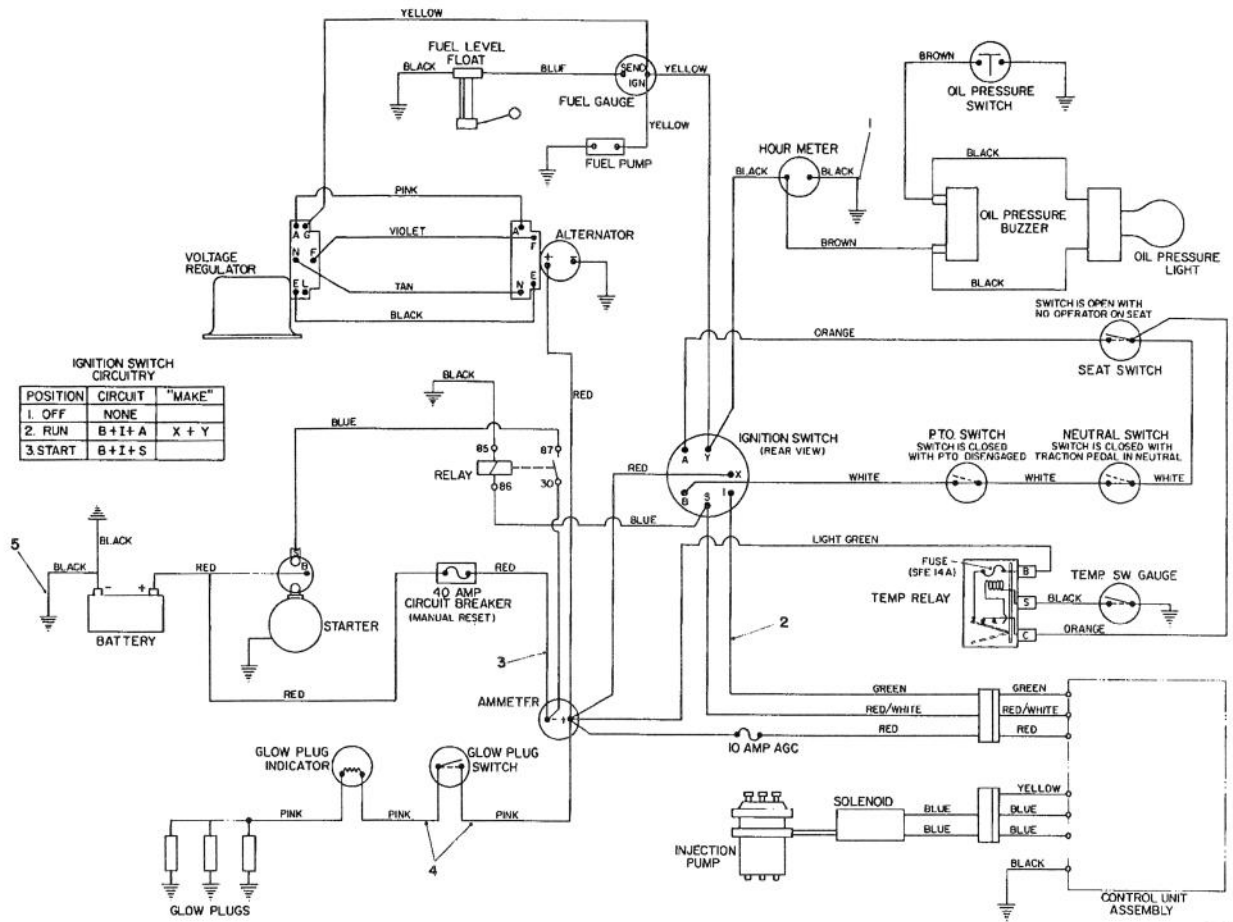


T-0408

## INSTRUMENT PANEL ASSEMBLY

Ref. No.	Part No.	Description	No. Used	Ref. No.	Part No.	Description	No. Used
1	3219-14	Nut	6	22	3250-17	Screw— Pan Hd.	2
2	38-1670	Clamp Mounting	2	23	43-3990	Throttle Control (Incl. Ref. #7)	1
3	3253-17	Washer - Lock	6	24	3254-2	Washer - Lock, Int. Tooth	2
4	3290-134	Screw - Hex. Hd. Mach.	2	25	43-0410	Regulator Assembly	1
5	38-1650	Fuel Gauge (Incl. Ref. #1-3)	1	26	32128-17	Nut - Lock, Flange Hd.	3
6	44-2220	Wire Lead	1	27	43-1880	Control Unit Assembly	1
7	233-35	Knob	2	28	3290-424	Screw - Hex. Hd. Mach.	1
8	44-2210	Warning Light (Incl. Ref. #9)	1	29	322-5	Screw - Cap, Hex. Hd.	2
9	218-533	Lens	1	30	321-4	Screw - Cap, Hex. Hd.	2
10	27-2360	Key Switch (Incl. Ref. #11)	1	31	3255-7	Washer - Lock, Ext. Tooth	3
11	63-8360	Key	1	32	3217-6	Nut - Hex	2
12	38-1660	Ammeter (Incl. Ref. #1-3)	1	33	32149-2	Nut - Lock	3
13	218-539	Clamp	1	34	43-3820	Spacer	1
14	42-9190	Glow Lamp	1	35	3256-14	Washer - Flat	1
15	26-6750	Engine Temperature Gauge (Incl. Ref. #1, 3, & 13)	1	36	22-7820	Buzzer Assembly	1
16	43-3970	Panel - Instrument	1	37	3217-26	Nut	1
17	218-473	Toggle Switch Boot	1	38	3254-1	Washer - Lock	1
18	26-6740	Temperature Reset Relay	1	39	218-515	Mounting Bracket	1
19	6-1659	Toggle Switch (Incl. Ref. #17)	1	40	12-9990	Hour Meter (Incl. Ref. #37-39)	1
†20		Fuse - Temp. Relay 14 Amp. SFE	1	41	3290-379	Cable Tie	1
21	43-4000	Circuit Breaker	1	42	63-7590	Relay	1
				43	70-1190	Cable—Ground	1
				44	321-6	Screw - Cap, Hex. Hd.	1
				45	3256-1	Washer - Flat	1
				46	43-3980	Decal - Panel, Instrument	1

†Obtain Locally



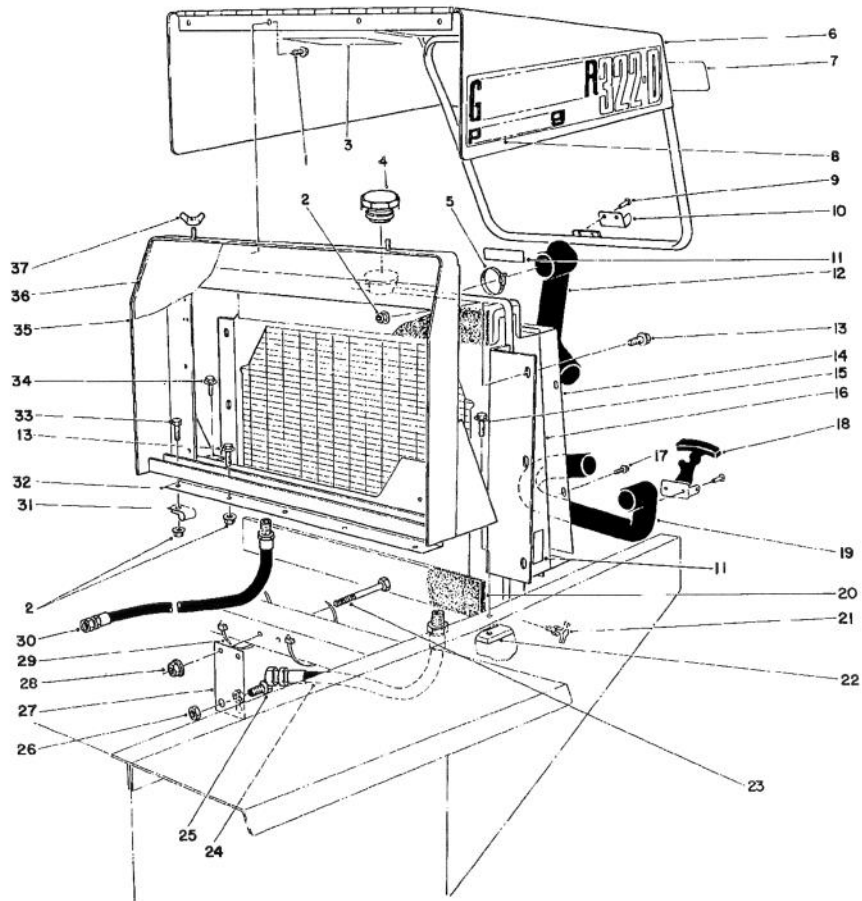
T-0409

## ELECTRICAL SCHEMATIC

Ref. No.	Part No.	Description	No. Used
1	21-2370	Wire - Hour Meter Ground	1
2	70-1230	Wire Harness Assembly	1
3	43-4040	Wire Assembly	1

Ref. No.	Part No.	Description	No. Used
4	43-4010	Wire Assembly	2
5	70-1190	Ground Cable	1

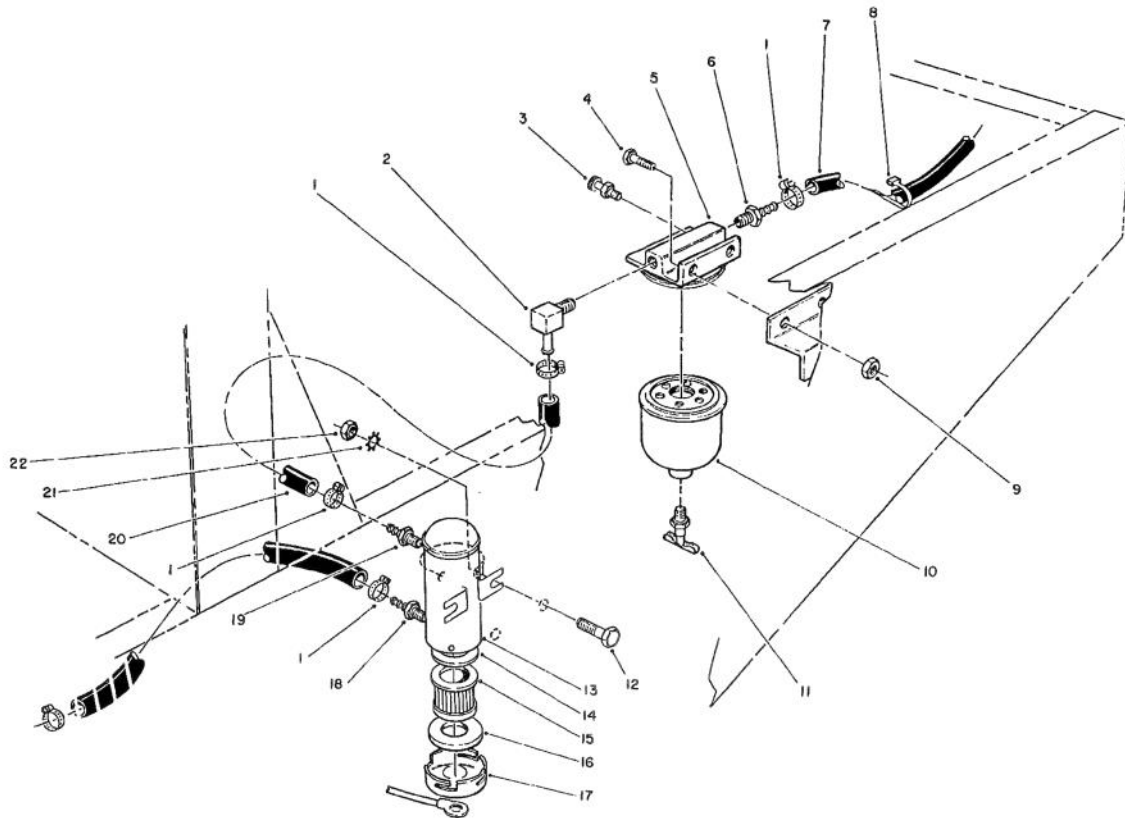




T-0410

## RADIATOR & HOOD ASSEMBLY

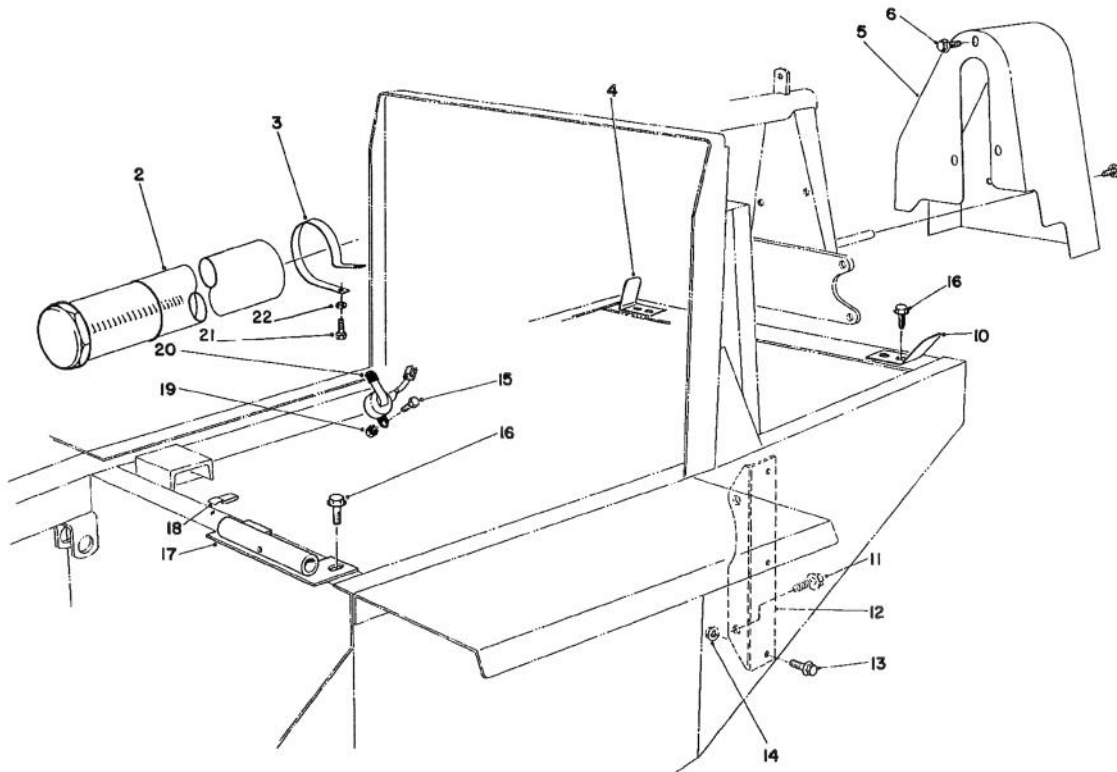
Ref. No.	Part No.	Description	No. Used	Ref. No.	Part No.	Description	No. Used
1	32144-10	Screw - Self-Tapping	4	21	304-46	Drain Cock	1
2	32128-20	Nut - Hex. Hd. Flange	11	22	38-4600	Bar - Frame L.H.	1
3	82-8970	Decal - Engine Coolant	1	23	323-14	Screw - Cap, Hex. Hd.	2
4	66-3240	Radiator Cap Assy.	1	24	63-9010	Hose Assembly (Cooler to Pump)	1
5	2412-3	Hose Clamp	4	25	340-71	Union - Bulkhead	2
6	12-5899	Hood	1	26	340-70	Nut - Lock, Bulkhead	2
7	66-6140	Decal - Toro	1	27	68-9160	Bracket	1
8	67-7760	Decal - 322-D	2	28	32128-21	Nut - Flange Hd.	2
9	3269-16	Rivet	4	29	3290-379	Cable Tie	4
10	249-40	Keeper	1	30	63-8960	Hose Assembly (Valve to Cooler)	1
11	77-3100	Decal -Warning	3	31	2412-39	Clamp	1
12	43-3350	Hose - Upper, Radiator	1	32	43-3340	Grille - Sealing Plate	1
13	3234-14	Screw - Hex, Flange Hd.	11	33	322-5	Screw - Cap, Hex. Hd.	1
14	43-3330	Radiator Shroud	1	34	11-0590	Screw - Cap, Self Tapping	2
15	3234-1	Screw - Cap, Locking Hex. Flange Hd.	2	35	82-8080	Radiator Support	1
16	33-2570	Radiator Assembly	1	36	67-9030	Grille	1
17	32104-116	Screw -Self Tapping	8	37	32103-2	Nut - Wing	2
18	249-39	Flexible Draw Latch	1	38	5-0838	Washer - Flat	3
19	43-7020	Hose - Lower, Radiator	1				
20	43-3320	Foam - Radiator	2				



T-0411

## FUEL FILTER ASSEMBLY

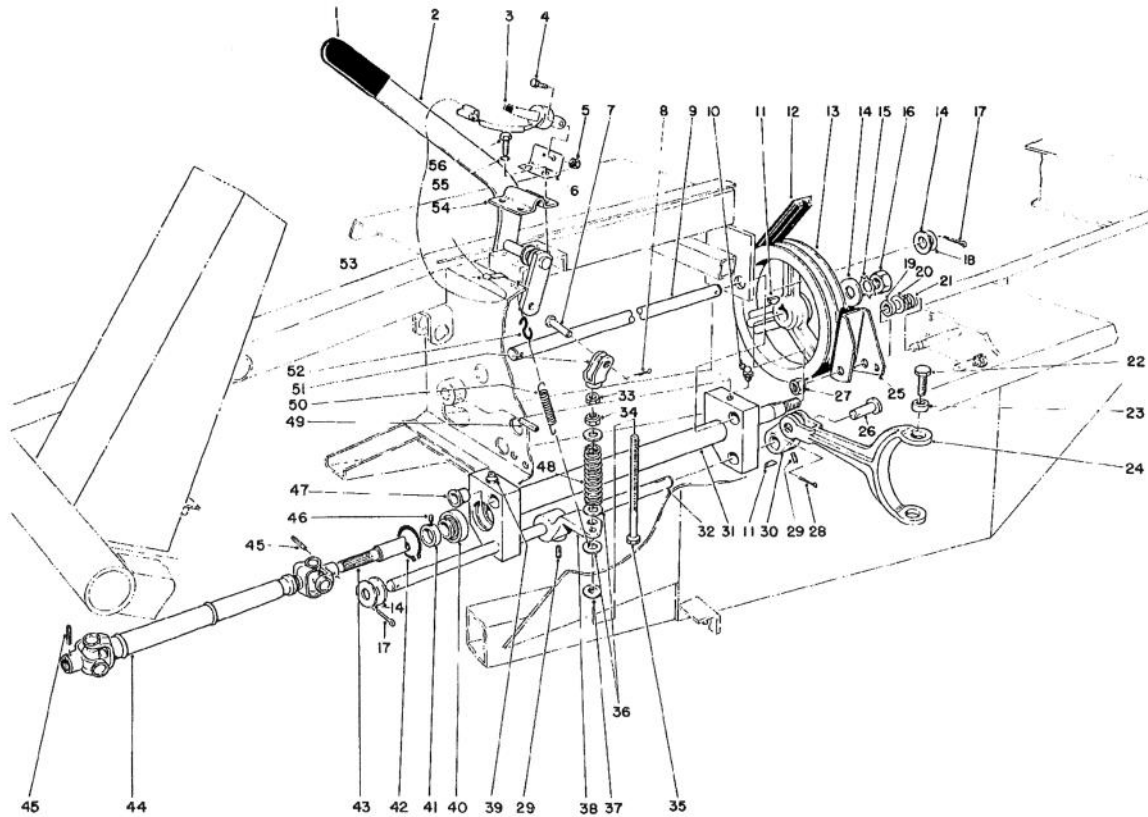
Ref. No.	Part No.	Description	No. Used	Ref. No.	Part No.	Description	No. Used
1	2412-108	Hose Clamp	5	12	321-6	Screw - Cap, Hex. Hd.	2
2	304-96	90° Hose Barb	1	13	53-8150	Pump Assy. Fuel, Electric (Incl. Ref. #14-17)	1
3	63-8290	Vent	1	14	43-2570	Gasket	1
4	321-4	Screw - Cap, Hex. Hd.	2	15	43-2550	Filter	1
5	63-8280	Head Assembly	1	16	43-2560	Gasket	1
6	353-975	Hose Barb	1	17	43-2580	Magnet	1
7	63-9720	Hose	1	18	353-702	Hose Barb	1
8	3290-378	Cable Tie	A/R	19	304-73	Hose Barb	1
9	32149-2	Nut	2	20	63-9650	Hose	1
10	63-8300	Element - Fuel Filter (Incl. Ref. #11)	1	21	3255-7	Washer - Lock, Ext. Tooth	2
11	63-8310	Drain Valve	1	22	32149-2	Nut	2



T-0412

## INTERLOCK ASSEMBLY

Ref. No.	Part No.	Description	No. Used	Ref. No.	Part No.	Description	No. Used
2	74-0720	Tube - Manual	1	14	3290-357	Nut - Lock, Flange	6
3	2412-133	R-Clamp	2	15	321-2	Screw - Cap, Hex. Hd.	2
4	62-3010	Bracket, R.H.	1	16	3234-17	Screw - Cap, Hex. Hd.	6
5	43-3900	Guard - Fan Belt	1	17	27-9810	Seat Pivot	1
6	3234-14	Screw - Cap, Hex. Hd.	5	18	212-93	Wire Clip	2
9	3256-23	Washer - Flat	1	19	3296-42	Nut - Lock	1
10	62-3020	Bracket L.H.	1	20	29-6930	Switch	1
11	3234-32	Screw - w/Locking Flange	2	21	322-2	Screw - Cap, Hex. Hd.	2
12	67-8190	Bracket - Engine Support	2	22	3256-23	Washer - Flat	2
13	3234-11	Screw w/Locking Flange	6				

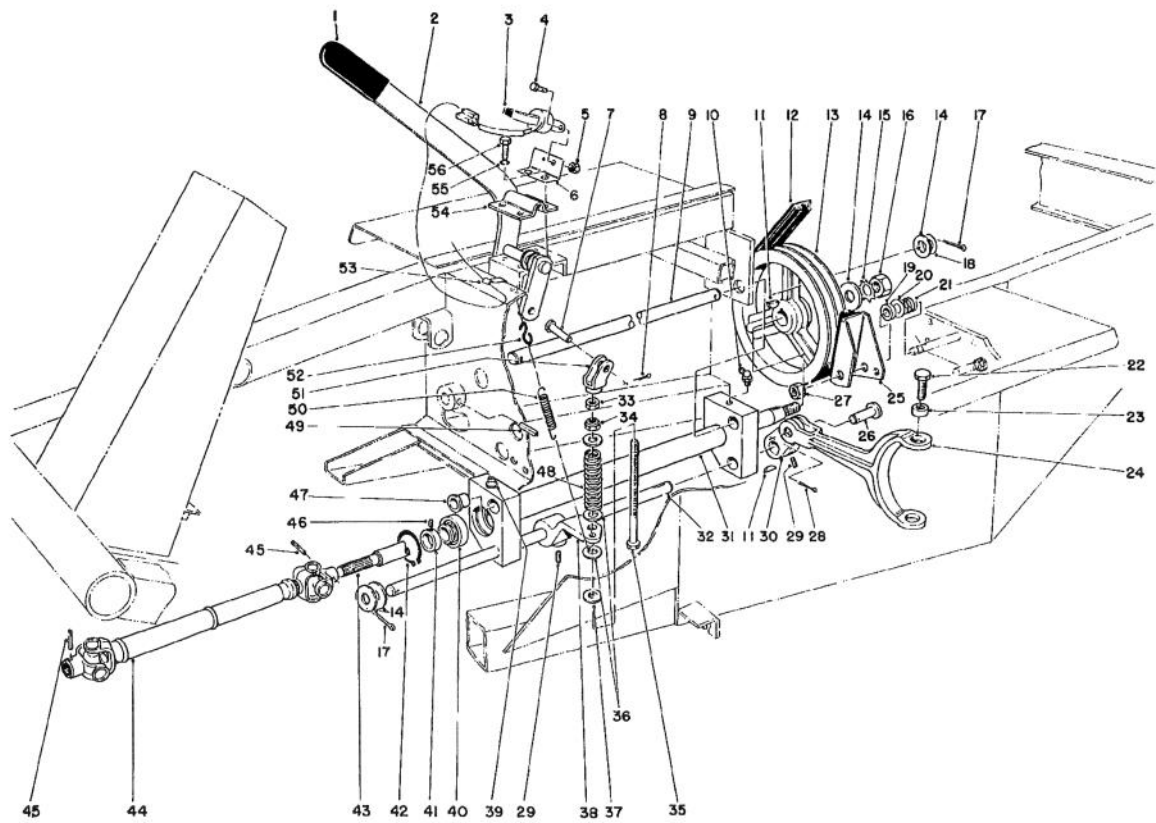


T-0413

## POWER TAKE OFF ASSEMBLY

Ref. No.	Part No.	Description	No. Used
1	21-1880	Grip Handle	1
2	21-1550	Lever—P.T.O.	1
3	29-6930	Switch Arm	1
4	321-2	Screw - Cap, Hex. Hd.	1
5	3296-42	Nut - Lock	1
6	27-7260	Mount - Arm Switch	1
7	283-42	Clevis Pin	1
8	3272-10	Cotter Pin	1
9	43-3860	Shaft - Pivot P.T.O.	1
10	302-10	Grease Fitting	1
11	3257-5	Woodruff Key	3
12	53-9660	V-Belt Torque Team	1
13	21-0230	Pulley P.T.O.	1
14	3256-28	Washer - Flat	4
15	3254-7	Washer - Lock	1
16	3219-7	Nut	1
17	3272-22	Cotter Pin	2
18	3-6498	Washer	A/R
19	3-8812	Spacer	1
20	3256-6	Washer - Flat	1
21	5-1747	Spring	1
22	30-2120	Screw - Cap, Hex. Hd.	2
23	43-3800	Bushing - P.T.O. Fork	2
24	43-5610	Fork P.T.O.	1
25	27-7370	Brake Assembly P.T.O.	1
26	283-8	Clevis Pin	1

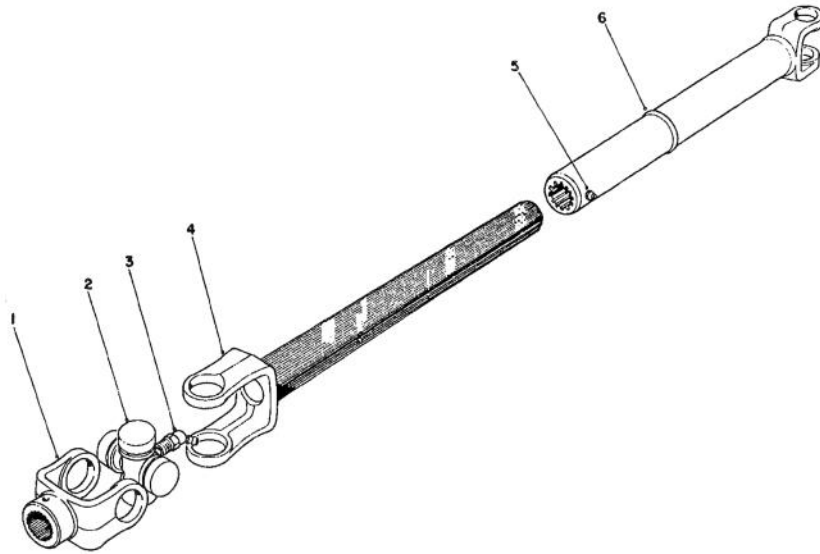
Ref. No.	Part No.	Description	No. Used
27	3296-28	Nut - Lock	1
28	3272-11	Cotter Pin	1
29	3246-3	Set Screw	4
30	43-5590	Arm - P.T.O.	1
31	43-5500	Pivot P.T.O.	1
32	43-5550	Shaft - Actuator P.T.O.	1
33	3219-3	Nut	1
34	3296-6	Nut - Lock	1
35	27-7900	Screw - Adjusting	1
36	3256-41	Washer - Flat	3
37	5-0652	Spacer	1
38	43-5570	Arm, Actuator - P.T.O.	1
39	302-2	Grease Fitting	1
40	251-252	Ball Bearing (Incl. Ref. #41)	2
41	251-234	Lock Collar (Incl. Ref. #46)	2
42	32120-22	Ring - Retaining	2
43	43-5540	Shaft P.T.O.	1
44	62-4260	Drive Shaft Assembly	1
45	32121-34	Pin - Roll	2
46	3245-1	Set Screw	2
48	21-0400	Spring - Compression	1
49	32121-9	Pin - Roll	1
50	21-1830	Spring - Tension	1
51	43-5630	Yoke - P.T.O.	1



T-0413

## POWER TAKE OFF ASSEMBLY (Continued)

Ref. No.	Part No.	Description	No. Used	Ref. No.	Part No.	Description	No. Used
52	5-0701	Spring Anchor	1	55	3253-21	Washer - Lock	4
53	212-93	Wire Clip	1	56	32104-6	Screw - Hex. Hd. Tapping	4
54	21-1600	Clamp P.T.O. Lever	1				



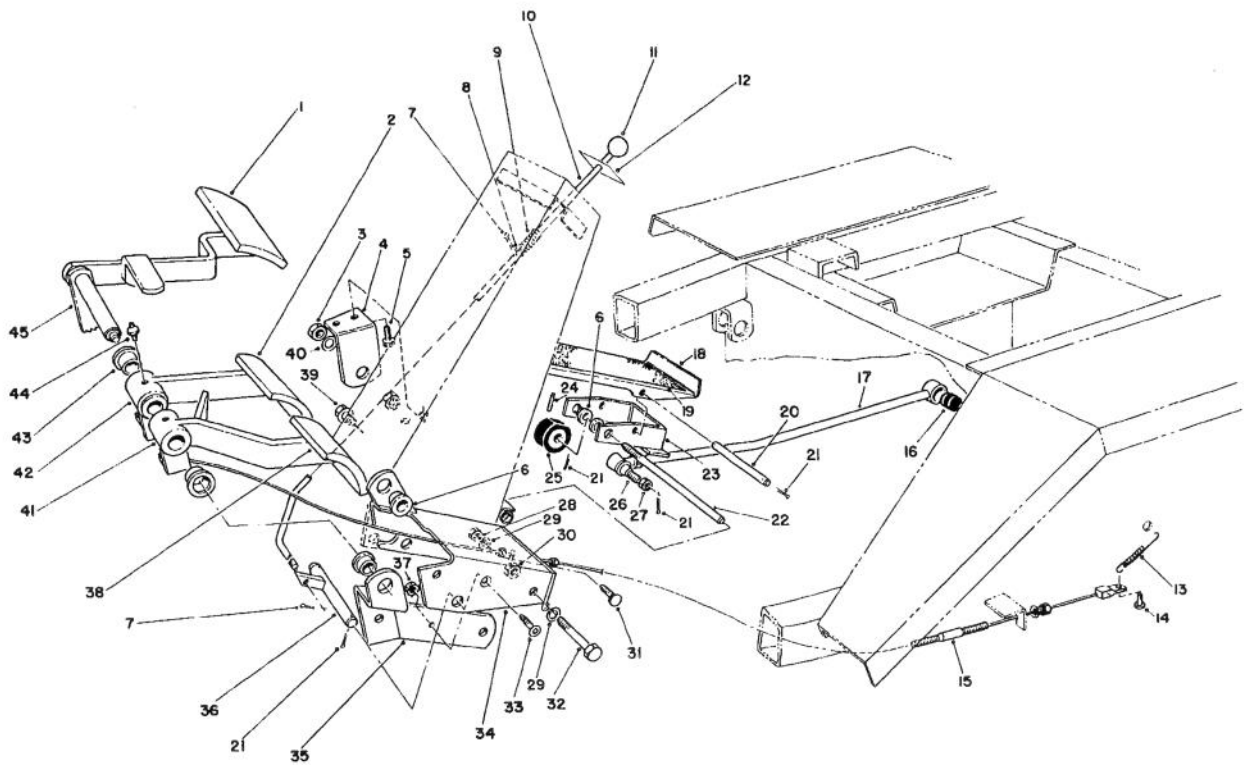
T-0414

### DRIVE SHAFT ASSEMBLY NO. 62-4260

Ref. No.	Part No.	Description	No. Used
1	62-3800	End Yoke	2
2	54-9180	U-Joint Kit	2
3	62-3820	Grease Fitting	2

Ref. No.	Part No.	Description	No. Used
4	62-3290	Slip Yoke Shaft	1
5	302-58	Grease Fitting	1
6	62-3790	Slip Yoke Tube	1



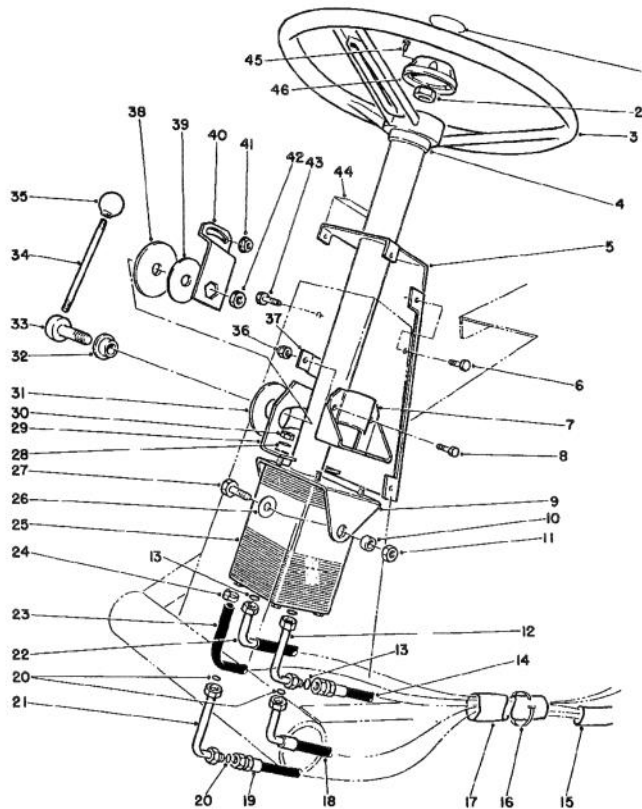


T-0415

## BRAKE PEDAL ASSEMBLY

Ref. No.	Part No.	Description	No. Used	Ref. No.	Part No.	Description	No. Used
1	7-3900	Pad - Brake	1	24	32121-16	Pin - Roll	1
2	27-7580	Pad - Right Turn	1	25	28-5220	Wheel - Friction	1
3	3218-5	Nut - Jam	2	26	21-0140	Socket Assembly R.H.	1
4	21-2850	Mount - R.H. Pedal	1	27	3220-5	Nut - Jam	1
5	11-0590	Screw - Hex. Hd. Tapping	2	28	3217-7	Nut - Hex	2
6	256-156	Bushing	5	29	3253-21	Washer - Lock	4
7	3272-5	Cotter Pin	3	30	32153-2	Nut - Lock	2
8	3256-22	Washer - Flat	1	31	3231-21	Bolt - Carriage	2
9	3-3251	Spring - Compression	1	32	323-13	Screw - Cap, Hex. Hd.	2
10	82-8670	Rod - Brake Latch	1	33	3274-47	Screw - Flat Hd. Socket	1
11	233-17	Knob	1	34	27-7590	Mount - Brake	1
12	82-8930	Decal - Parking Brake	1	35	27-9270	Mount - Brake Pivot Shaft	1
13	3-7243	Spring - Extension	2	36	27-7640	Shaft - Brake Latch	1
14	283-58	Clevis Pin	2	37	32149-2	Nut	1
15	21-3380	Cable - L.H. Brake	1	38	27-7570	Pad - Left Turn	1
*	21-3370	Cable - R.H. Brake	1	39	3234-11	Screw - Cap, Hex. Hd.	3
16	23-2270	Bushing - Rubber	1	40	3256-26	Washer - Flat	1
17	23-2240	Rod - Pump Control	1	41	27-7490	Pedal - L.H. Brake (Incl. Ref. #43)	1
18	28-5190	Pedal Traction	1	42	27-7510	Pedal - R.H. Brake (Incl. Ref. #43)	1
19	28-5130	Pad - Pedal	1	43	256-10	Bushing	4
20	28-5240	Pin - Traction Pedal	1	44	302-5	Fitting - Grease	2
21	3272-6	Cotter Pin	7	45	27-8550	Pedal - Parking Brake	1
22	28-5210	Shaft - Traction Pedal	1				
23	28-5160	Bracket - Pivot (Inc. Ref. #6)	1				

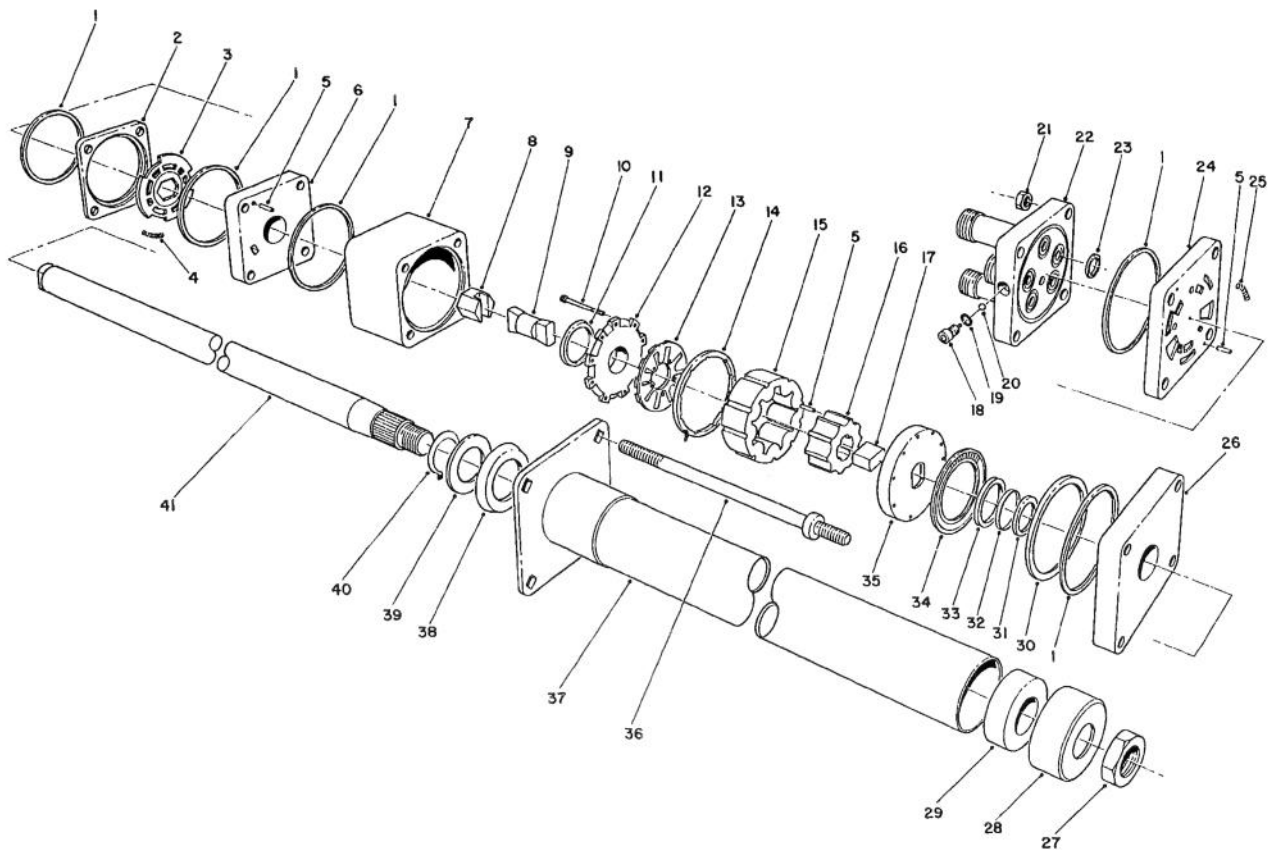
\*Not Illustrated



T-1187

## POWER STEERING ASSEMBLY

Ref. No.	Part No.	Description	No. Used	Ref. No.	Part No.	Description	No. Used
1	68-5370	Decal - Toro	1	24	2412-36	Clamp	2
2	66-9760	Nut - Hex.	1	25	63-9250	Valve - Steering, Power	1
3	75-0560	Wheel - Steering	1	26	3256-46	Washer - Flat	2
4	21-9260	Cover - Dust	1	27	323-6	Screw - Cap, Hex. Hd.	2
5	82-8660	Cover - Tower	1	28	3256-3	Washer - Flat	4
6	32144-10	Screw - Hex. Hd. Thd. Form	6	29	80-2940	Plate - Pivot	1
7	67-8690	Support - Column	1	30	3296-4	Nut - Lock	4
8	3234-17	Screw - Cap, Hex. Hd.	2	31	31-0390	Disc - Friction	1
9	77-3120	Bracket - Mount, Column	1	32	80-2980	Boss - Pin	1
10	80-2960	Spacer - Tower	2	33	80-2970	Pin - Steering, Tilt	1
11	32153-2	Nut - Hex.	2	34	80-2890	Handle - Steering, Tilt	1
12	82-8760	Elbow	1	35	233-21	Knob - Handle	1
13	237-30	O-Ring	3	36	3296-29	Nut - Lock	2
14	63-8970	Hose - Trans. to Steering	1	37	82-8650	Clamp - Half	1
15	70-1390	Sleeve - Protective	1	38	82-9010	Disc - Friction	1
16	3290-378	Tie - Cable	2	39	80-2930	Washer	1
17	70-1380	Sleeve - Protective	1	40	80-2880	Bracket - Steering, Tilt	1
18	68-9730	Hose - Steering to Cylinder	1	41	32128-20	Nut - Flange	1
19	68-9720	Hose - Cylinder to Steering	1	42	3218-7	Nut - Jam	1
20	237-22	O-Ring	3	43	322-4	Screw - Cap, Hex. Hd.	1
21	82-8770	Elbow	1	44	82-8940	Decal - Steering, Tilt	1
22	63-8980	Hose - Aux. to Valve	1	45	32144-21	Screw	1
23	63-8990	Hose	1	46	68-5140	Cap - Wheel, Steering	1



T-0417

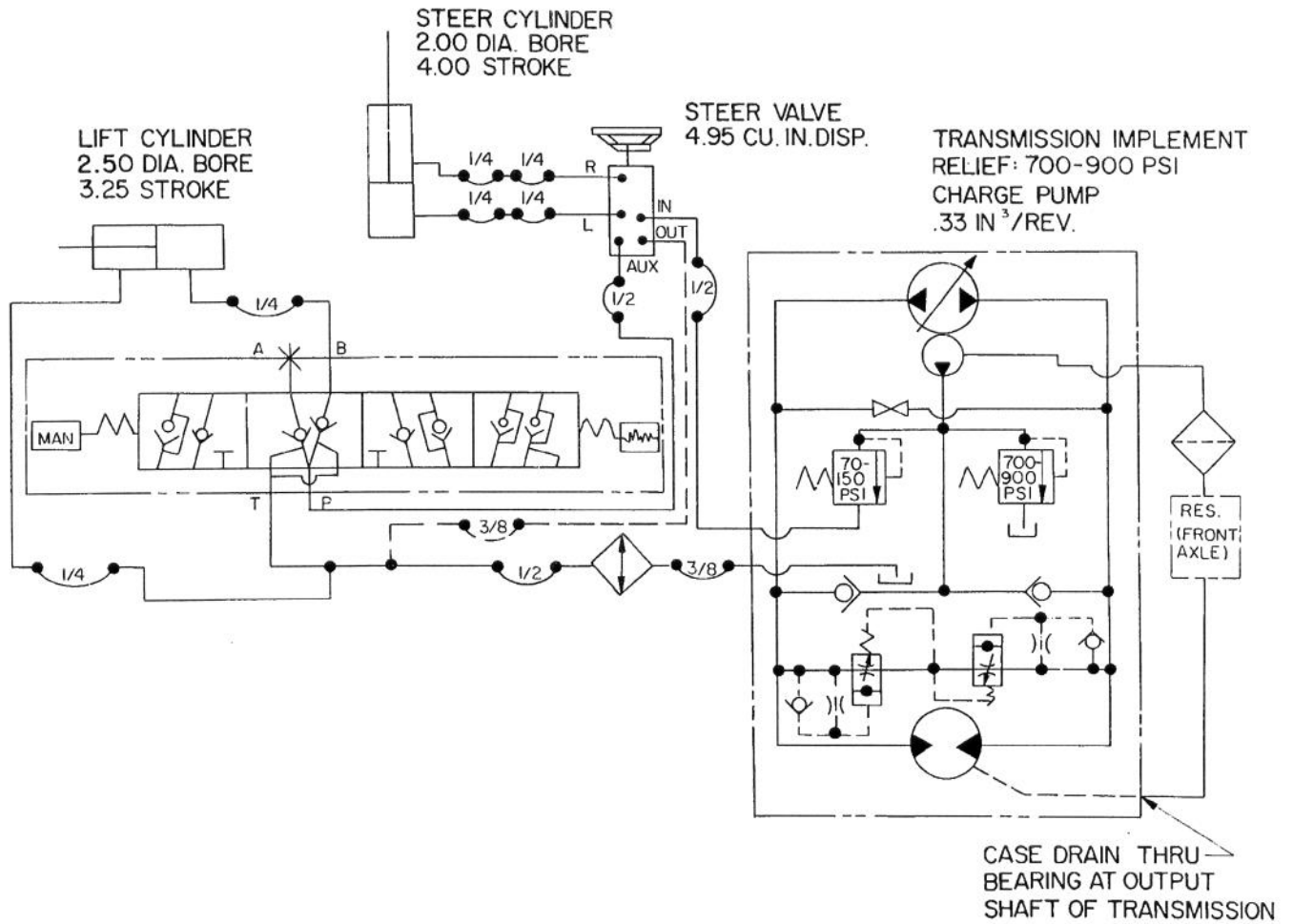
## POWER STEERING VALVE ASSEMBLY NO. 63-9250

Ref. No.	Part No.	Description	No. Used
1		Ring - Seal	5
2		Ring - Valve	1
3		Plate - Valve	1
4		Spring	3
5		Pin - Alignment	9
6		Manifold - Isolation	1
7		Ring - Metering	1
8		Hex Drive Assy.	1
9		Link - Drive	1
10		Screw - Hex. Hd. Socket	11
11		Seal - Commutator	1
12		Cover - Commutator	1
13		Commutator	1
14		Ring - Commutator	1
15		Stator	1
16		Rotor	1
17		Spacer - Drive Link	1
18		Plug	1
19		O-Ring	1
20		Ball	1
21		Nut - Hex	4
22		Cover - Port	1

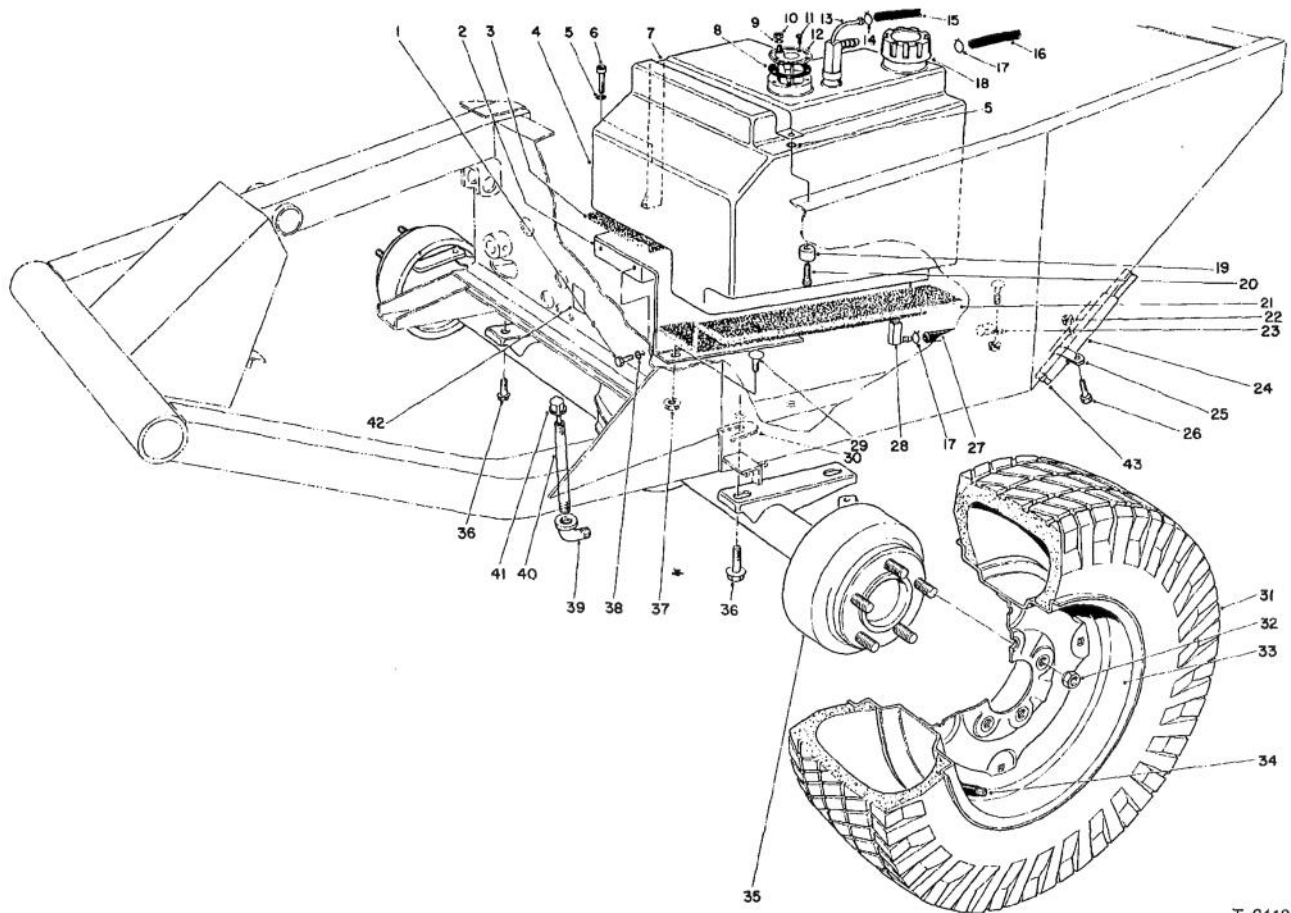
Ref. No.	Part No.	Description	No. Used
23		O-Ring	5
24		Manifold - Port	1
25		Spring	3
26		Plate - Upper Cover	1
27	3220-6	Nut	1
28	66-9770	Seal	1
29	66-9780	Bushing	1
30		Spacer - Thrust Bearing	1
31		Spacer - Seal	1
32		Ring - Back Up	1
33		Seal-Face	1
34		Bearing - Thrust	1
35		Plate - Drive	1
36	66-9850	Bolt - Special	4
37	66-9860	Upper Cover & Jacket	1
38	66-9870	Plate - Retaining	1
39	66-9880	Washer - Retaining Plate	1
40	66-9890	Ring - Retaining	1
41	66-9900	Shaft - Input	1
*	66-9970	Spring Kit	1
*	66-9980	Seal Kit	1
*	66-9990	Needle Roller Kit	1

\*Not Illustrated

# HYDRAULIC SCHEMATIC



T-0418

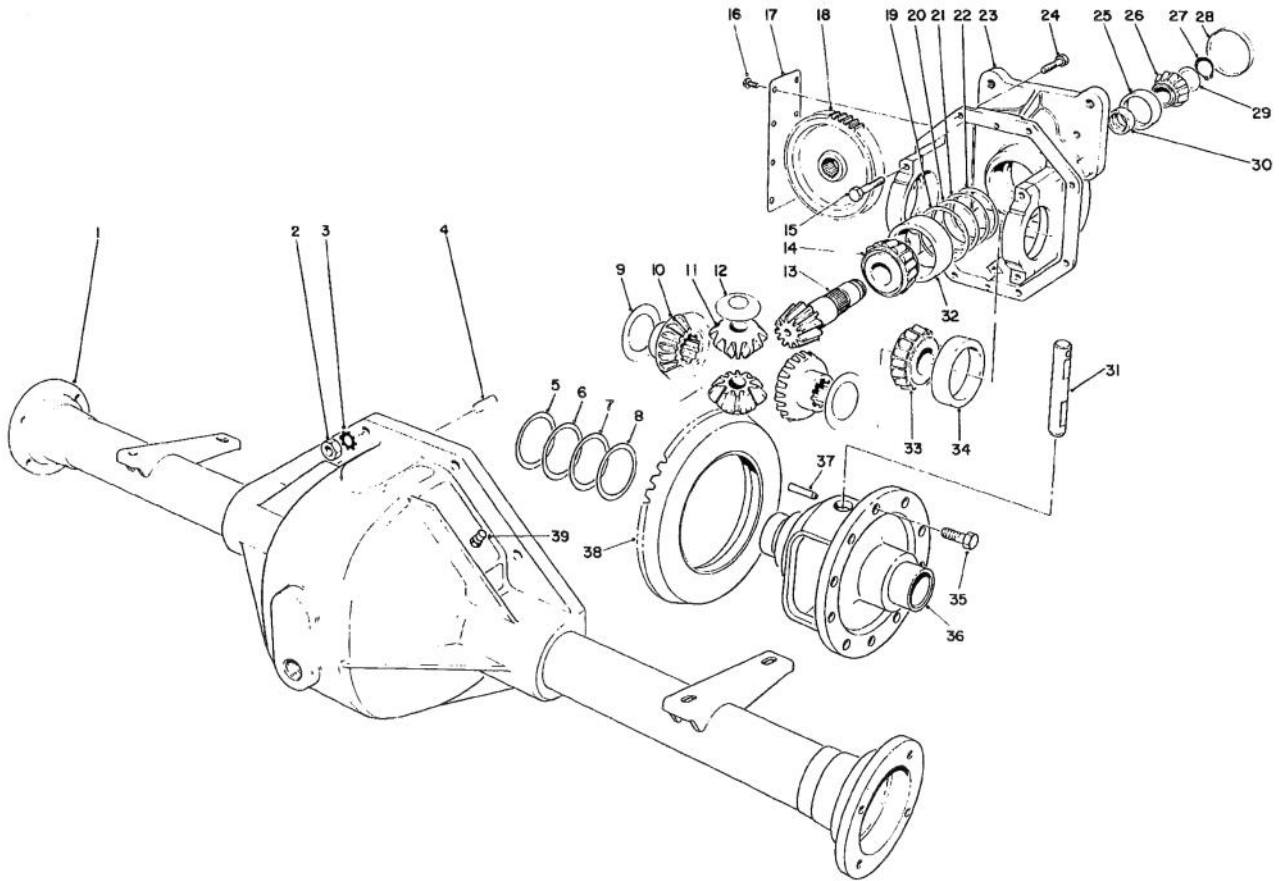


T-0419

## FRONT AXLE & FUEL TANK ASSEMBLY

Ref. No.	Part No.	Description	No. Used	Ref. No.	Part No.	Description	No. Used
1	32104-6	Screw - Self Tapping	2	23	2412-4	Clamp	1
2	68-9760	Fuel Tank Base	1	24	56-7980	Sleeve - Protective	1
3	21-3600	Foam - Tank Support	1	25	2412-39	R-Clamp	2
4	43-4150	Fuel Tank (Incl. Ref. #13 & 14)	1	26	322-3	Screw - Cap, Hex. Hd.	2
5	3253-3	Washer - Lock	2	27	63-9640	Hose Fuel	1
6	321 04-96	Screw - Cap, Hex. Hd.	1	28	43-41 90	Fitting Assembly	1
7	37-9550	Strap - Fuel Tank	1	29	3230-2	Bolt - Carriage	3
8	62-7650	Gasket	1	30	42-6080	Shim - Axle	A/R
9	3253-17	Washer - Lock	1	31	231-101	Tire	2
10	3219-14	Nut	1	32	23-7270	Nut - Wheel	10
11	32144-53	Screw - Thread Forming	5	33	217-117	Rim	2
12	62-6840	Sender - Fuel Level	1	34	232-31	Valve Stem w/Cap	2
13	43-4160	Fitting - Return & Vent	1	35	67-8220	Differential Assembly	1
14	2412-79	Clamp	1	36	32144-67	Screw - Cap, Thd. Forming	4
15	43-4230	Hose Return	1	37	32128-20	Nut - Flange	3
16	43-5690	Hose - Vent, Fuel Tank	1	38	3253-21	Washer - Lock	2
17	2412-6	Clamp	2	39	2811-9	Street Elbow	1
18	55-3572	Fuel Cap	1	40	289-37	Pipe Nipple	1
19	22-7810	Spacer	1	41	23-5180	Dipstick	1
20	321-6	Screw - Cap, Hex. Hd.	1	42	53-4430	Decal - Oil	1
21	21-3610	Foam - Tank Support	1	43	68-9710	Hose - Steering Cylinder	2
22	3296-20	Nut - Lock	2	*	231-90	Tube - Inner	2

\*Not Illustrated



T-0420

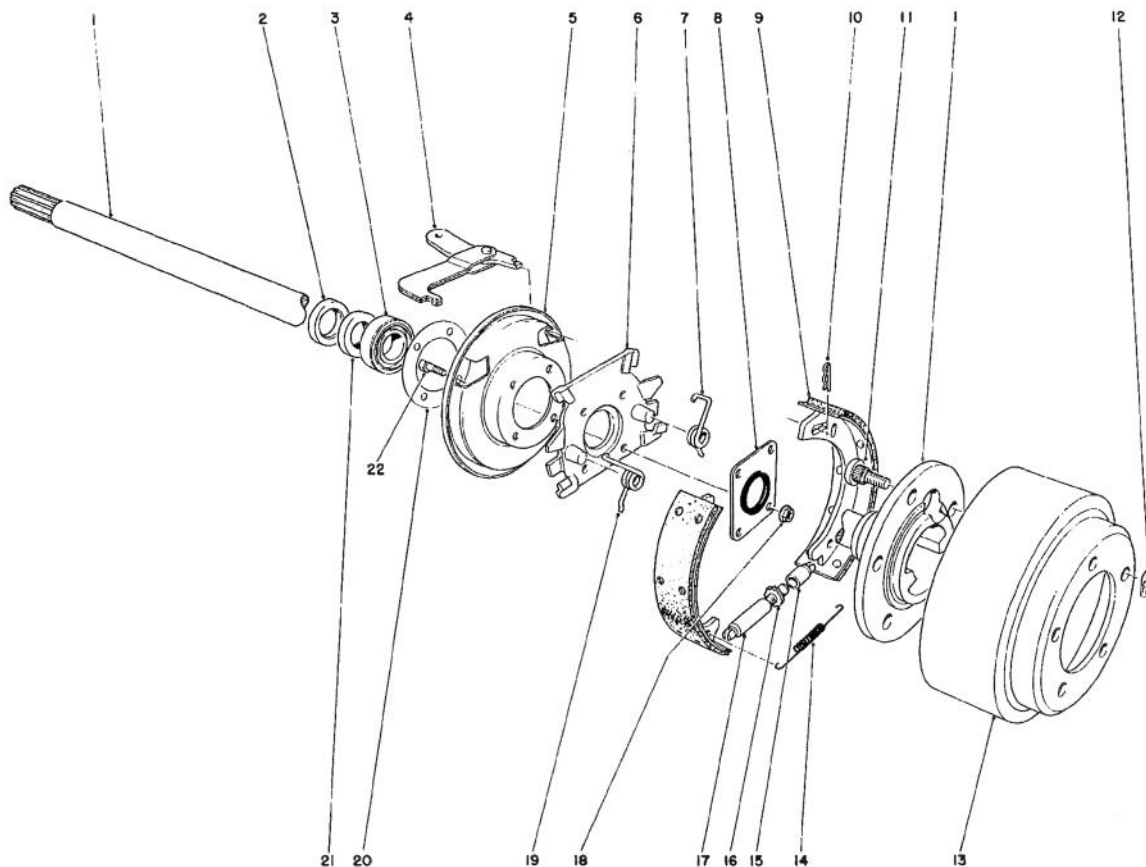
## DIFFERENTIAL ASSEMBLY NO. 67-8220

Ref. No.	Part No.	Description	No. Used
1	43-6840	Lower Housing	1
2	3219-2	Nut	8
3	3255-8	Washer - Lock	8
4	21-8270	Dowel Pin	2
5	21-8090	Adjust. Shim .003	A/R
6	21-8100	Adjust. Shim .005	A/R
7	21-8110	Adjust. Shim .010	A/R
8	21-8120	Adjust. Shim .030	A/R
9	21-7720	Washer - Thrust	2
10	24-8790	Differential Bevel Gear Side	2
11	21-7690	Pinion Gear	2
12	21-7730	Washer - Thrust	2
13		Drive Pinion (Incl. Ref. #38)	1
14	43-6760	Tapered Roller Bearing Cone	1
15	324-23	Screw - Cap, Hex. Hd.	4
16	12-5450	Screw - Thd. Forming	8
17	21-7830	Gear Cover	1
18	21-8150	Spur-Gear	1
19	43-6710	Adjust. Shim .003	A/R
20	43-6711	Adjust. Shim .005	A/R
21	43-6712	Adjust. Shim .010	A/R
22	43-6713	Adjust. Shim .030	A/R
23	68-9770	Upper Housing (Incl. Ref. #15)	1
24	3210-7	Screw - Cap, Hex. Hd.	8
25	254-90	Bearing Cup	1
26	254-91	Bearing Cone	1

Ref. No.	Part No.	Description	No. Used
27	43-6550	Snap Ring	1
28	21-7850	Cup Plug	1
29	46-2210	Shim Pinion Bearing .031	A/R
*	46-2211	Shim Pinion Bearing .033	A/R
*	46-2212	Shim Pinion Bearing .035	A/R
*	46-2213	Shim Pinion Bearing .037	A/R
*	46-2214	Shim Pinion Bearing .039	A/R
*	46-2215	Shim Pinion Bearing .041	A/R
*	46-2216	Shim Pinion Bearing .043	A/R
*	46-2220	Shim Pinion Bearing .045	A/R
*	46-2221	Shim Pinion Bearing .047	A/R
*	46-2222	Shim Pinion Bearing .049	A/R
*	46-2223	Shim Pinion Bearing .051	A/R
*	46-2224	Shim Pinion Bearing .053	A/R
*	46-2225	Shim Pinion Bearing .055	A/R
*	46-2226	Shim Pinion Bearing .057	A/R
30	21-8020	Pinion Bearing - Spacer	1
31	21-7700	Pinion Mate Shaft	1
32	43-6750	Tapered Roller Bearing Cup	1
33	254-65	Cone - Tapered Bearing	2
34	254-66	Cup - Tapered Bearing	2
35	21-7770	Drive Gear Screw	5
36	21-7670	Differential Case	1
37	32121-15	Pin - Roll	1
38		Ring Gear	1
39	72-9420	Vent Tube Assembly	1
	43-6510	Gear & Pinion Assembly (Incl. Ref. #13 & 38)	1

\*Not Illustrated

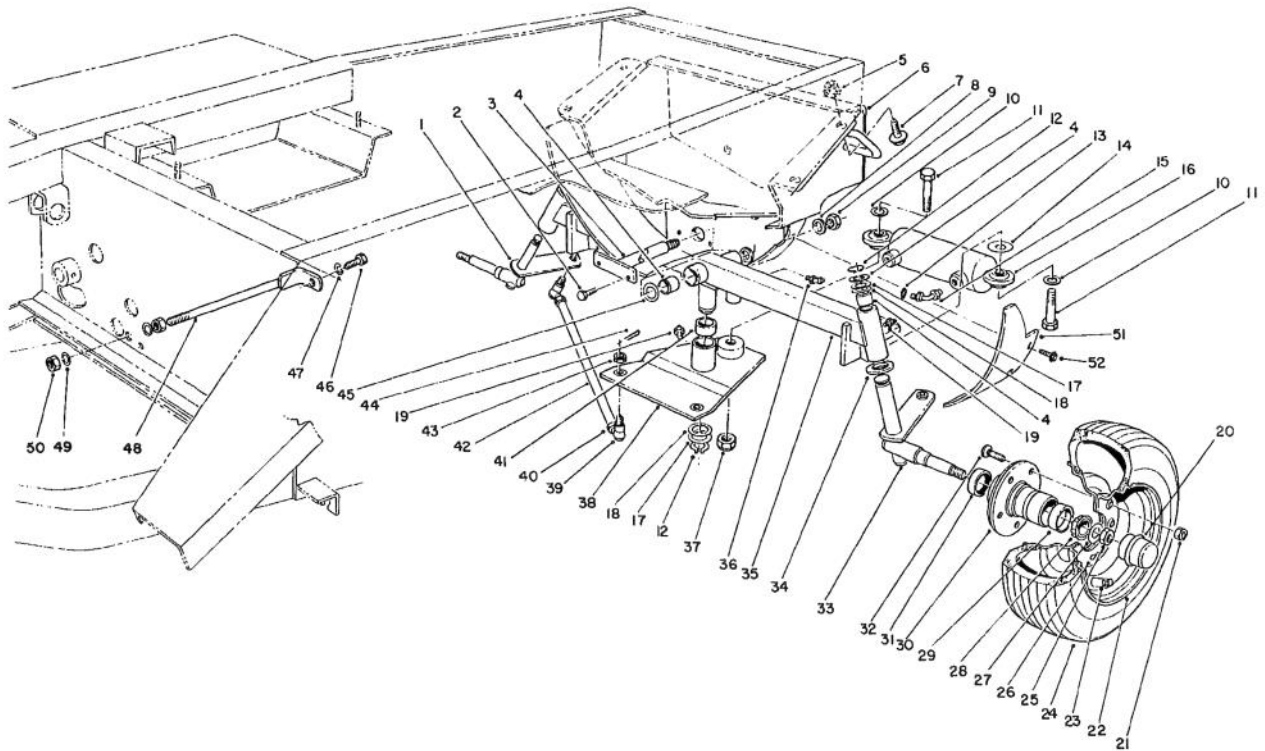




T-0421

## BRAKE ASSEMBLY

Ref. No.	Part No.	Description	No. Used	Ref. No.	Part No.	Description	No. Used
1	28-0650	Flanged Axle Shaft	2	12	21-8360	Clip - Retaining	2
2	21-8330	Oil Seal	2	13	28-0680	Brake Drum	2
3	21-8180	Bearing	2	14	21-9440	Spring - Adjusting Screw	2
4	24-9180	Strut & Lever Parking Brake	2	15	21-9390	Socket - Adjusting Screw	2
5	21-9450	Dust Shield	2	16	21-9370	Screw - Adjusting	2
6	43-6810	Torque - Spider	2	17	21-9380	Nut - Pivot	2
7	21-9430	Spring - Shoe Return R.H.	2	18	43-6800	Nut - Lock	8
8	28-0670	Oil Seal	2	19	21-9420	Spring - Shoe Return L.H.	2
9	43-2690	Shoe & Lining Assembly	4	20	21-8320	Gasket - Wheel Bearing	2
10	21-9460	Retainer - Brake Lever	4	21	24-8840	Ring - Wheel Bearing	2
11	242-34	Axle Flange Stud	10	22	28-0660	Screw - Cap, Hex. Hd.	8



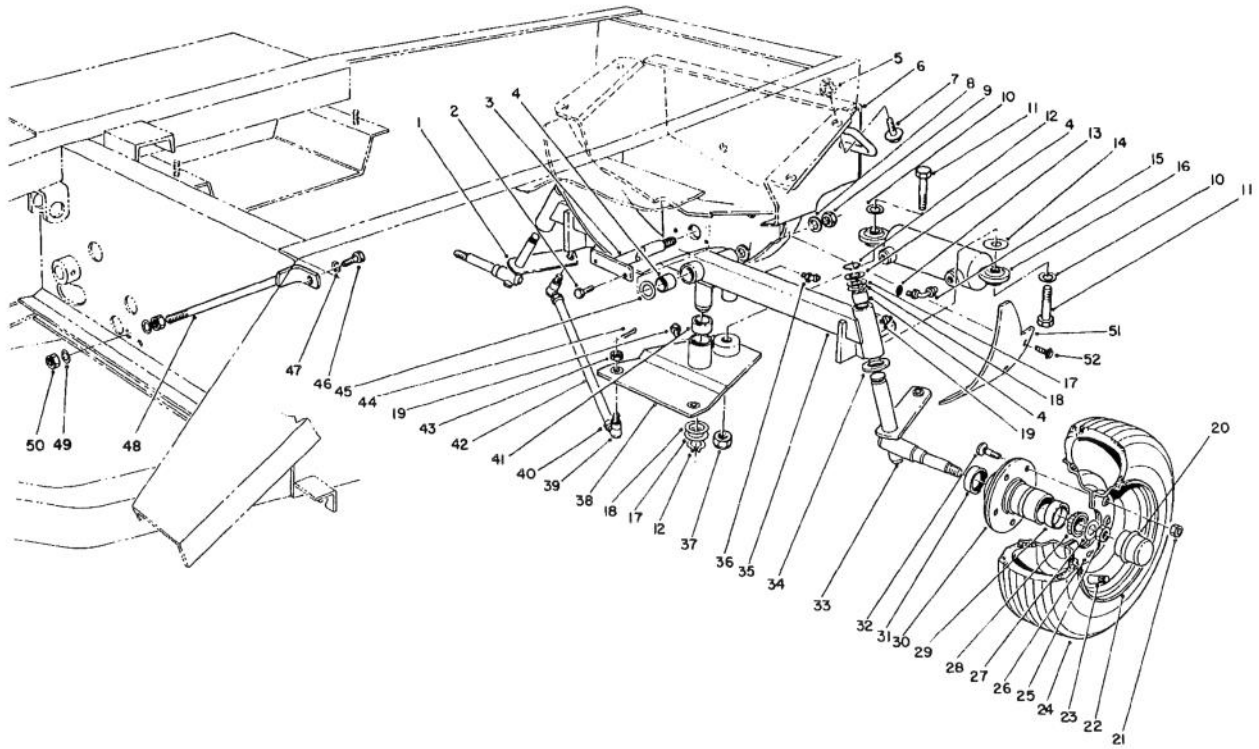
T-0422

## REAR AXLE & WHEEL ASSEMBLY

Ref. No.	Part No.	Description	No. Used
1	63-9180	Spindle Assembly R.H.	1
2	3234-14	Screw - Cap, Hex Hd.	2
3	67-8170	Pin - Rear Axle	1
4	67-1750	Bushing	6
5	32128-23	Nut - Lock, Flange	4
6	67-8130	Support -Axle	1
7	3434-32	Screw - Cap, Hex Flange	4
8	71-4540	Washer - Thrust	A/R
9	32146-20	Nut - Lock	1
10	67-9410	Washer - Flat	2
11	328-25	Screw - Cap, Hex Hd.	2
12	32151-36	Ring - Retaining	3
13		O-Ring	1
14	67-7250	Spacer - Ring	1
15	340-54	Fitting 45°	2
16	63-9240	Cylinder - Hydraulic	1
17	5-1226	Washer	3
18	10-8110	Washer - Thrust	A/R
19	302-5	Fitting - Grease	3
20	241-119	Dust Cap	2
21	242-50	Nut - Wheel	10
22	217-106	Wheel	2
23	232-31	Valve Stem w/Cap	2
24	231-105	Tire	2
25	32136-5	Nut - Slotted	2
26	3272-13	Pin - Cotter	2

Ref. No.	Part No.	Description	No. Used
27	3256-28	Washer - Flat	2
28	254-94	Cone - Bearing	4
29	254-72	Cup - Bearing	4
30	21-2820	Hub Wheel (Incl. Ref. #29 & 32)	2
31	253-129	Closure	2
32	10-6830	Stud - Drive	10
33	63-9170	Spindle Assembly L.H.	1
34	256-121	Bushing - Thrust	2
35	67-9160	Axle - Rear (Incl. Ref. #4)	1
36	302-11	Fitting - Grease	1
37	32128-45	Nut - Lock	2
38	63-9220	Steering Pivot (Incl. Ref. #41)	1
39	21-0140	Socket Assembly R.H. Thd. (Incl. Ref. #43)	2
*	21-0150	Socket Assembly L.H. Thd. (Incl. Ref. #43)	2
40	3220-5	Nut - Jam, R.H. Thd.	2
*	3220-12	Nut - Jam, L.H. Thd.	2
41	256-242	Bushing	2
42	21-1990	Tie Rod Assembly	2
43	32136-4	Nut - Slotted	4
44	3272-6	Pin - Cotter	4
45	56-2460	Washer	A/R

\*Not Illustrated

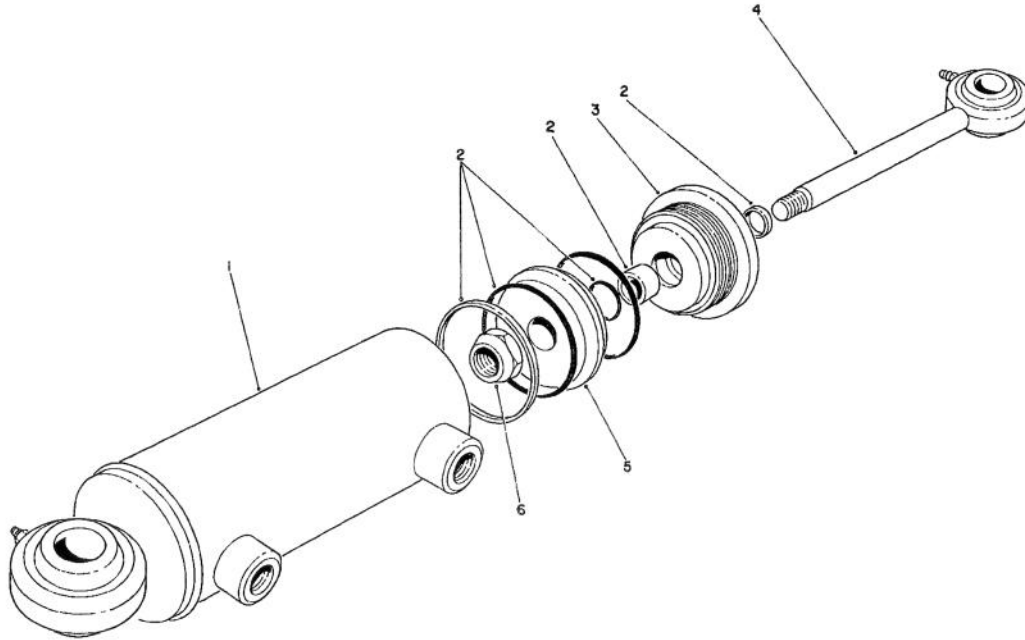


T-0422

## REAR AXLE & WHEEL ASSEMBLY (Continued)

Ref. No.	Part No.	Description	No. Used
46	323-6	Screw - Cap, Hex Hd.	1
47	3253-21	Washer - Lock	1
48	24-9830	Support Axle	1
49	3256-6	Washer - Flat	2

Ref. No.	Part No.	Description	No. Used
50	3217-9	Nut	2
51	71-4850	Cover Flywheel Guard	1
52	32144-10	Screw - Cap,Thd. Forming	2

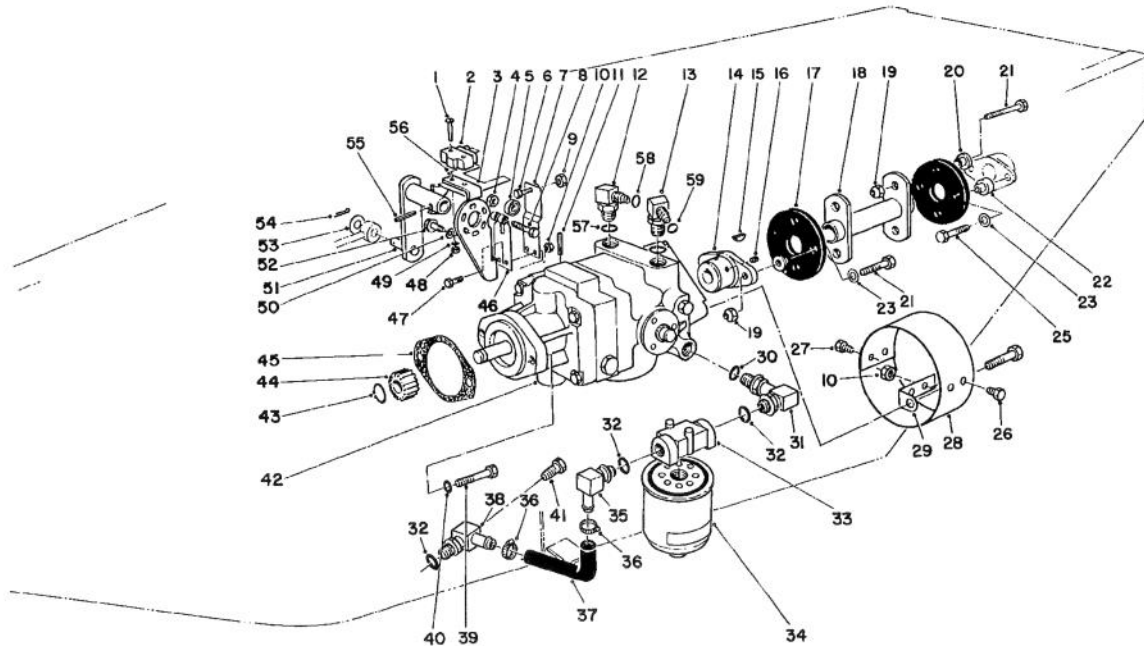


T-0423

## HYDRAULIC STEERING CYLINDER ASSEMBLY NO. 63-9240

Ref. No.	Part No.	Description	No. Used
1		Tube Assembly	1
2	66-1960	Seal Kit	1
3	66-1950	Gland	1
4	66-1910	Piston Rod Assembly	1

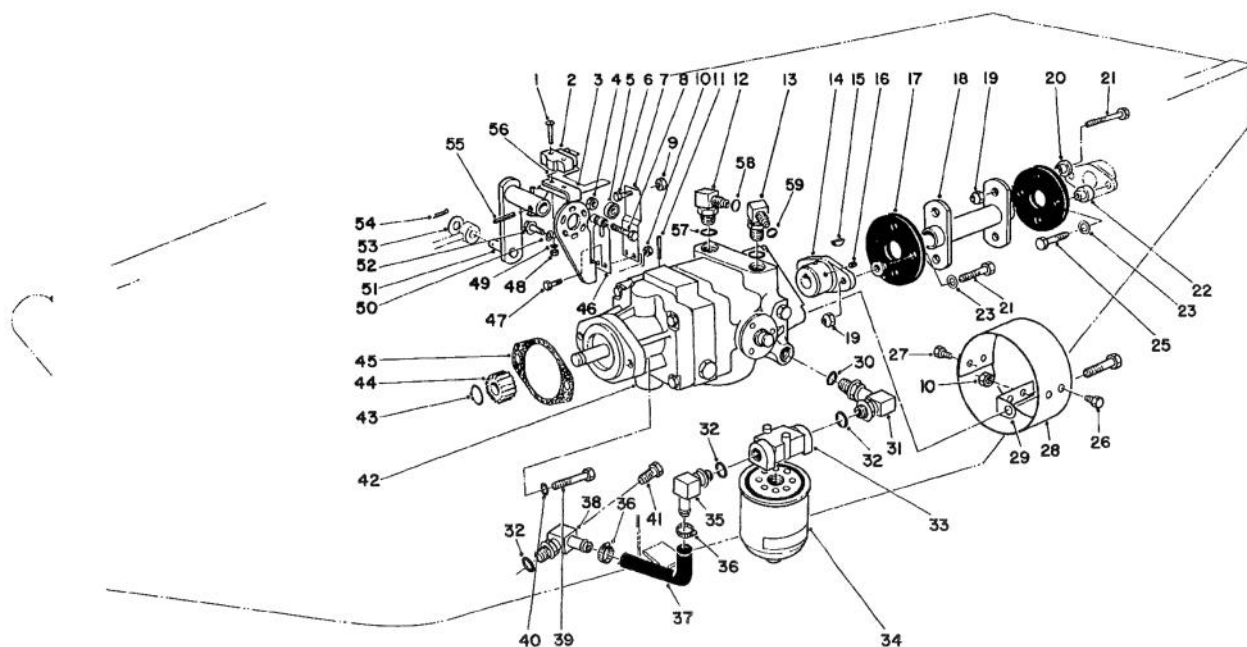
Ref. No.	Part No.	Description	No. Used
5	66-1940	Piston	1
6	66-1930	Nut - Lock	1



T-0424

## HYDROSTATIC TRANSMISSION

Ref. No.	Part No.	Description	No. Used	Ref. No.	Part No.	Description	No. Used
1	3249-11	Screw - Mach. Rd. Hd.	2	27	321-4	Screw - Cap, Hex. Hd.	2
2	29-6163	Micro Switch	1	28	54-9300	Cover	1
3	29-6120	Pump Plate	1	29	54-9290	Bracket	2
4	3296-29	Nut - Lock	1	30	237-80	O-Ring	1
5	251-259	Ball Bearing	1	31	68-8660	Elbow	1
6	3210-7	Screw - Cap, Hex. Hd.	1	32	237-81	O-Ring	3
7	29-6170	Extended Leaf Spring	1	33	68-8990	Head - Filter	1
8	322-1 7	Screw - Cap, Hex. Hd.	1	34	67-8110	Oil Filter	1
9	3219-2	Nut - Hex	1	35	353-987	Elbow	1
10	3296-42	Nut - Lock	6	36	2412-34	Clamp - Hose	2
11	32121-6	Pin - Roll	1	37	68-9650	Hose - Axle	1
12	340-77	Elbow	1	38	70-2620	Elbow - 90°	1
13	340-99	Elbow	1	39	323-7	Capscrew	2
14	33-4380	Pump Hub	1	40	3253-21	Washer - Lock	2
15	3257-32	Woodruff Key	1	41	353-508	Plug - Drain	1
16	3241-5	Screw - Set, Sq. Hd.	2	42	71-4370	Transmission - Inline	1
17	44-2230	Rubber Coupling	1	43	32120-72	Ring - Retaining External	1
18	46-6390	Drive Coupling	1	44	23-4810	Gear Transmission Output	1
19	32152-1	Nut - Lock	8	45	41-8760	Gasket Transmission	1
20	27-6600	Spacer - Rubber Coupling	6	46	29-6150	Leaf Spring	1
21	322-6	Screw - Cap, Hex. Hd.	6	47	321-4	Screw - Cap, Hex. Hd.	2
22	27-6590	Spacer - Rubber Coupling	2	48	3217-16	Nut - Hex.	2
23	3256-3	Washer - Flat	4	49	3254-9	Washer - Lock	2
24	3253-4	Washer - Lock	2	50	3255-7	Washer - Lock	3
25	322-8	Screw - Cap, Hex. Hd.	2	51	28-9570	Pump Lever	1
26	321-2	Screw - Cap, Hex. Hd.	2	52	11-9760	Screw - Self Tapping	3



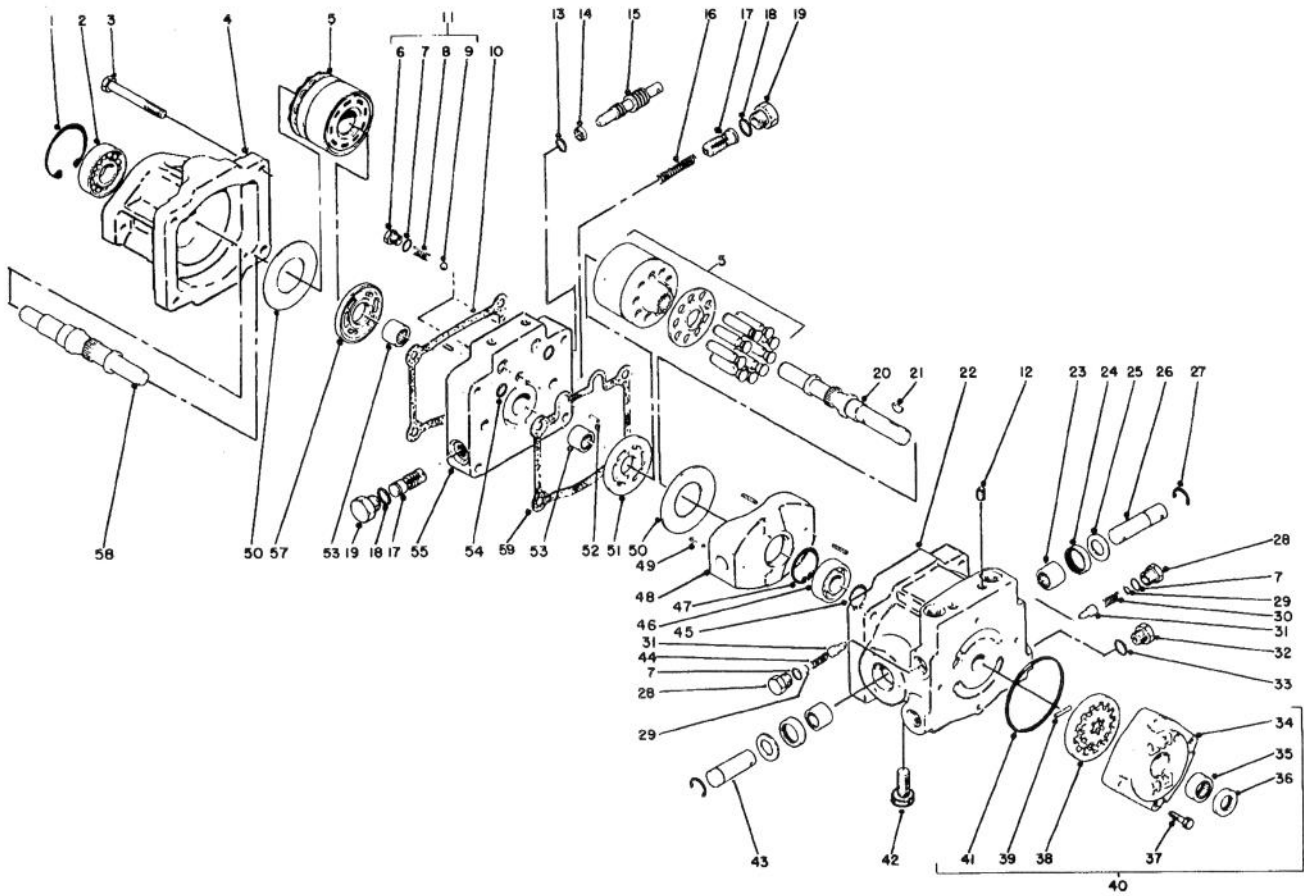
T-0424

## HYDROSTATIC TRANSMISSION (Continued)

Ref. No.	Part No.	Description	No. Used
53	3256-6	Washer - Flat	1
54	3272-10	Cotter Pin	1
55	32121-24	Pin - Roll	1
56	46-8810	Stop - Leaf Spring	1

Ref. No.	Part No.	Description	No. Used
57	237-42	O-Ring	2
58	237-22	O-Ring	1
59	237-30	O-Ring	1

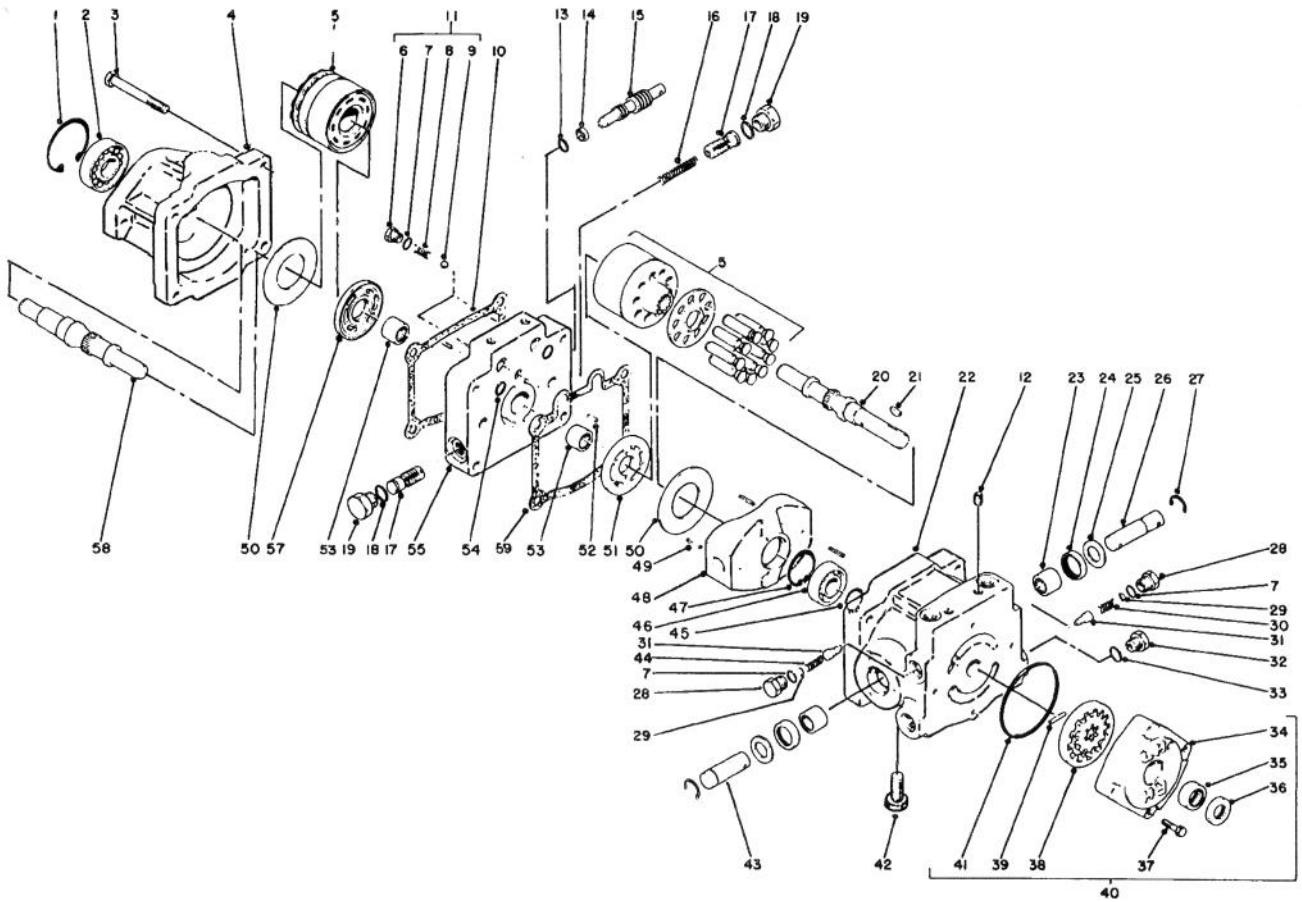




T-0425

## TRANSMISSION ASSEMBLY NO. 71-4370

Ref. No.	Part No.	Description	No. Used	Ref. No.	Part No.	Description	No. Used
1	32120-8	Retaining Ring	1	25	25-2510	Washer - Flat	2
2	72-3750	Ball Bearing	1	26	25-2580	Trunion Shaft	1
3	323-13	Screw - Cap, Hex. Hd.	4	27	32151-46	Retaining Ring	2
4	67-9080	Motor Housing	1	28	25-2460	Plug - Hex. Hd.	2
5	48-1800	Cylinder Block Kit	2	29	25-2470	Shim Pack	2
6	25-2650	Check Valve Plug	2	30	25-2570	Valve Spring	1
7	237-86	O-Ring	4	31	25-2560	Relief Valve Cone	2
8	252640	Valve Spring	2	32	353-551	Plug - Hex. Hd.	1
9	252490	Ball	2	33	237-80	O-Ring	1
10	67-9100	Gasket	1	34	25-2550	Charge Pump Housing	1
11	25-3180	Check Valve Kit (Incl. Ref. #6-9)	2	35	67-8050	Needle Bearing	1
12	285-17	Pipe Plug	6	36	67-8060	Lip Seal	1
13	237-22	O-Ring	1	37	322-4	Screw - Cap, Hex. Hd.	4
14	25-2630	Back-Up Ring	1	38	25-2680	Gerotor Assembly	1
15	25-2620	By-Pass Valve	1	39	25-2530	Headless Straight Pin	1
16	252610	Accel. Valve Spring	1	40	25-3190	Charge Pump (Incl. Ref. #34-39 & 41)	1
17	25-2410	Accel. Valve Assembly	2	41	237-95	O-Ring	1
18	76-1900	O-Ring	2	42	67-9090	Plug	1
19	353-550	Plug - Hex. Hd.	2	43	25-2500	Trunion Shaft	1
20	75-9560	Pump Shaft	1	44	25-2480	Valve Spring	1
21	3257-32	Woodruff Key	1	45	32120-15	Retaining Ring	1
22	54-7890	Pump Housing (Incl. Ref. #12 & 23-25)	1	46	251-8	Ball Bearing	1
23	252-82	Needle Bearing	2	47	32120-11	Retaining Ring	1
24	25-3210	Lip Seal	2	48	25-2450	Variable Swashplate	1
				49	32121-91	Pin - Coil ,Spring	3

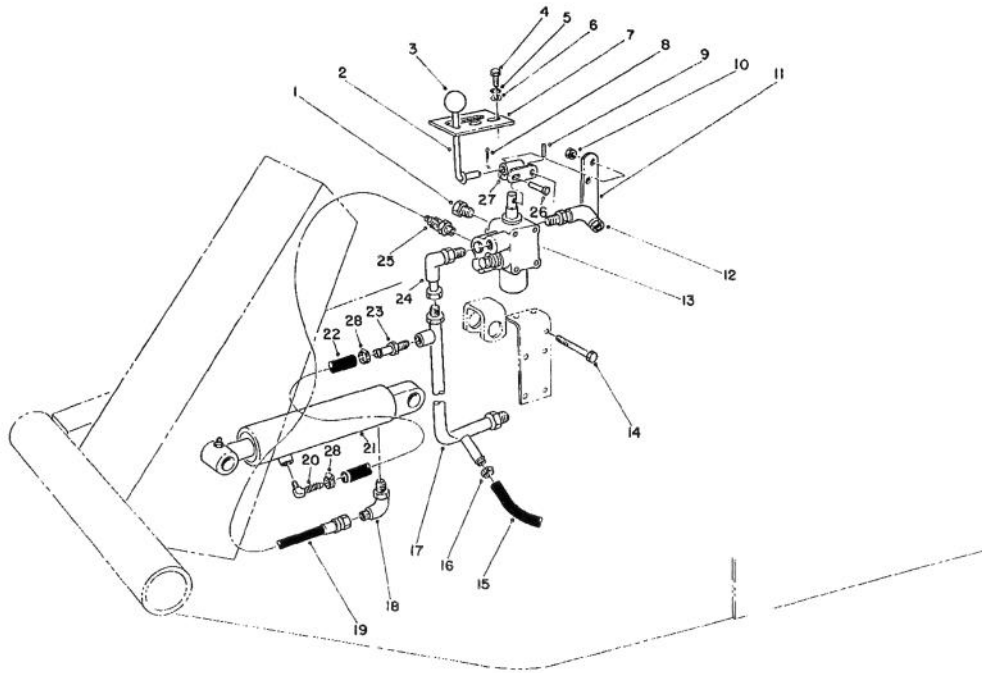


T-0425

## TRANSMISSION ASSEMBLY NO. 71-4370 (Continued)

Ref. No.	Part No.	Description	No. Used
50	25-2380	Thrust Plate	2
51	25-2440	Pump Valve Plate	1
52	25-2430	Dowel Pin	2
53	46-8400	Needle Bearing	2
54	62-4290	O-Ring	2

Ref. No.	Part No.	Description	No. Used
55	25-2420	Center Section	1
57	25-2390	Motor Valve Plate	1
58	46-8410	Motor Shaft	1
59	25-2400	Gasket	1

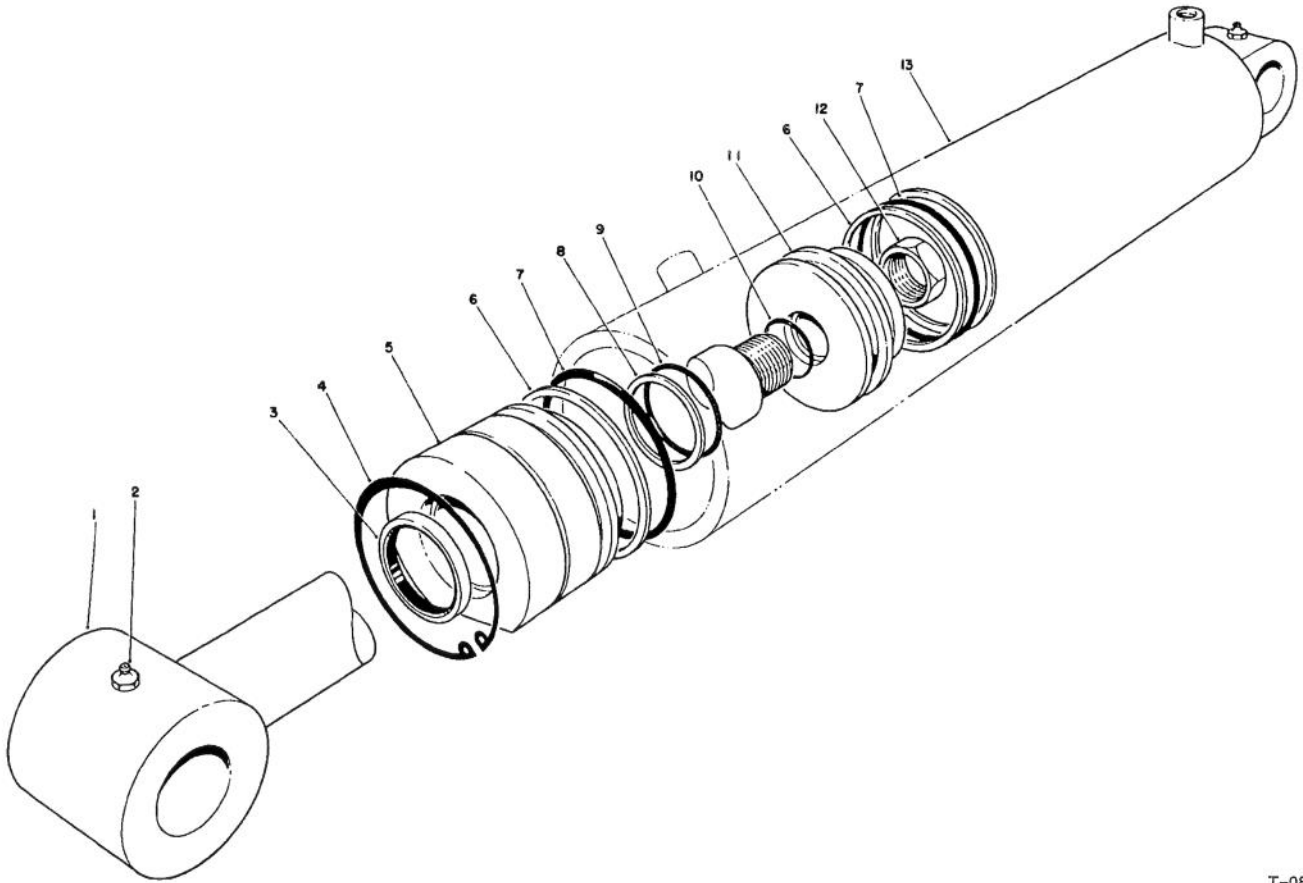


T-0426

## VALVE & CYLINDER ASSEMBLY

Ref. No.	Part No.	Description	No. Used	Ref. No.	Part No.	Description	No. Used
1	353-512	Plug	1	18	340-112	Elbow— 90°	1
2	21-8620	Lever Valve	1	19	71-3580	Hose - (Valve to Cylinder)	1
3	233-21	Knob	1	20	304-75	Fitting - 90° Barb	1
4	321-4	Screw - Cap, Hex. Hd.	2	21	62-4250	Cylinder - Hydraulic	1
5	3253-3	Washer - Lock	2	*	66-1250	Cylinder - Hydraulic (Optional)	1
6	3256-22	Washer - Flat	2	22	65-2970	Line - Gas	1
7	21-8640	Latch Valve Lever	1	23	304-73	Fitting - Straight Barb	1
8	3272-6	Cotter Pin	1	24	340-110	Elbow - 90°	1
9	32121-73	Pin - Slotted Spring	1	25	340-97	Fitting - 90°	1
10	3296-42	Nut - Lock	5	26	283-17	Pin	1
11	21-9010	Pivot Mount - Valve Lever	1	27	21-8590	Link - Valve Lever	1
12	340-99	Fitting - 90° Elbow	1	28	2412-108	Clamp - Hose	2
13	43-1710	Valve Assembly	1	29	237-22	O-Ring	2
14	321-23	Screw - Cap, Hex. Hd.	5	30	237-30	O-Ring	2
15	63-8990	Hose	1	31	237-42	O-Ring	2
16	2412-36	Clamp Hose	1	32	237-78	O-Ring	2
17	63-9260	Manifold - Valve	1				

\*Not Illustrated



T-0859

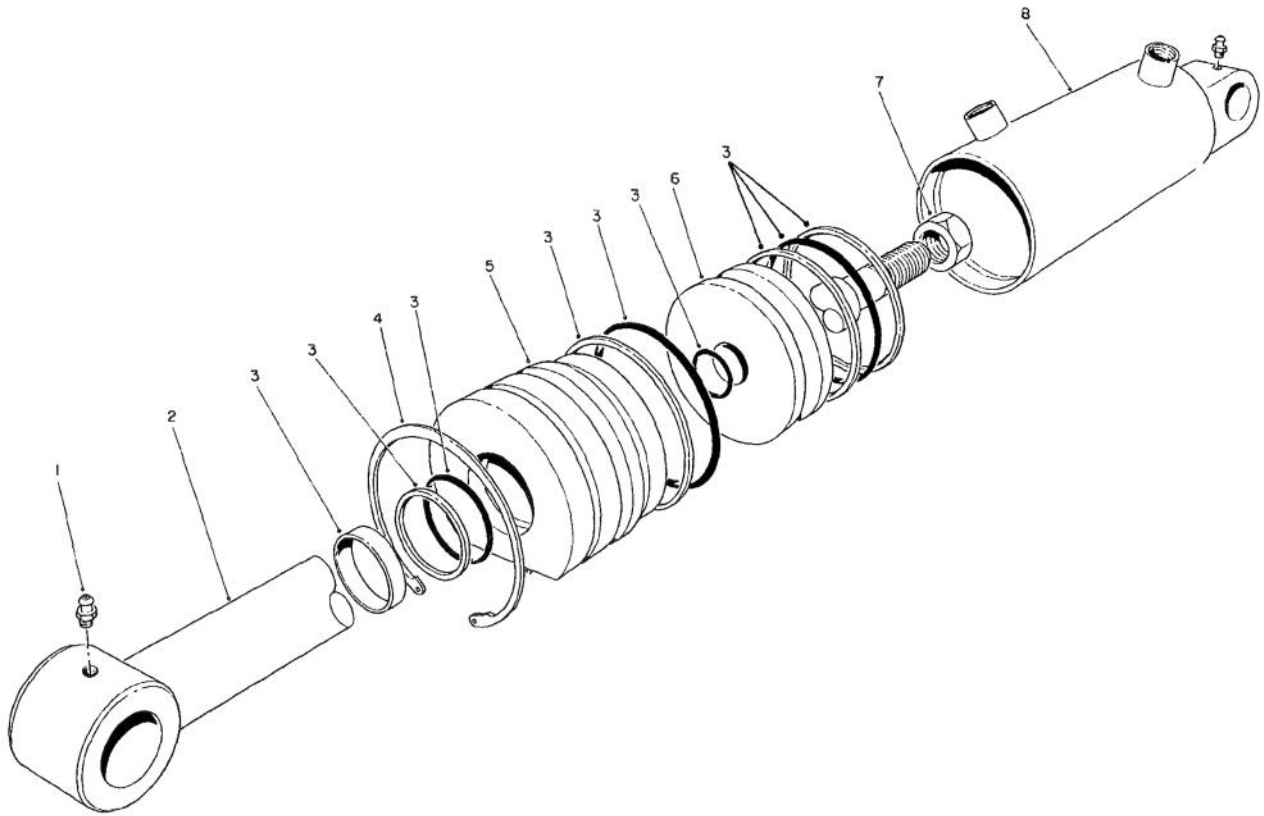
## HYDRAULIC LIFT CYLINDER ASSEMBLY NO. 62-4250 (2-1/2" Bore)

Ref. No.	Part No.	Description	No. Used
1	61-4980	Shaft - w/Clevis	1
2	302-55	Fitting - Grease	2
3		Seal - Dust	1
4	61-4990	Ring - Retaining	1
5	60-9780	Head	1
6		Ring - Back-up	3
7		O-Ring	2
8		Ring - Backup	1

Ref. No.	Part No.	Description	No. Used
9		O-Ring	1
10		O-Ring	1
11	60-9770	Piston	1
12	60-9760	Nut	1
†13		Barrel	1
*	61-4960	Seal Repair Kit (Incl. Ref. #3, 6-10)	1

\*Not Illustrated

†Not available separately.

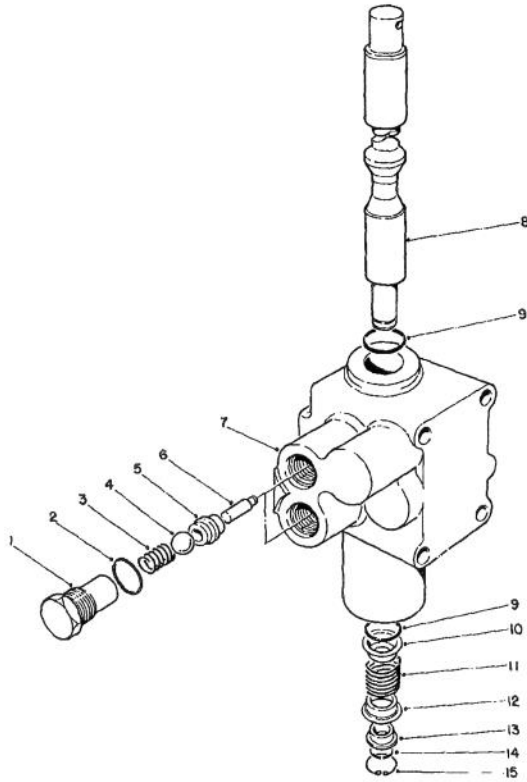


T-0527

## HYDRAULIC LIFT CYLINDER ASSEMBLY NO. 66-1250 (3" Bore)

Ref. No.	Part No.	Description	No. Used	Ref. No.	Part No.	Description	No. Used
1	302-55	Grease Fitting	2	5	67-5460	Head	1
2	67-5480	Shaft	1	6	67-5450	Piston	1
3	67-5500	Repair Kit	1	7	60-9760	Nut - Hex	1
4	67-5470	Ring - Retaining	1	*8		Barrel	1

\*Not available separately.

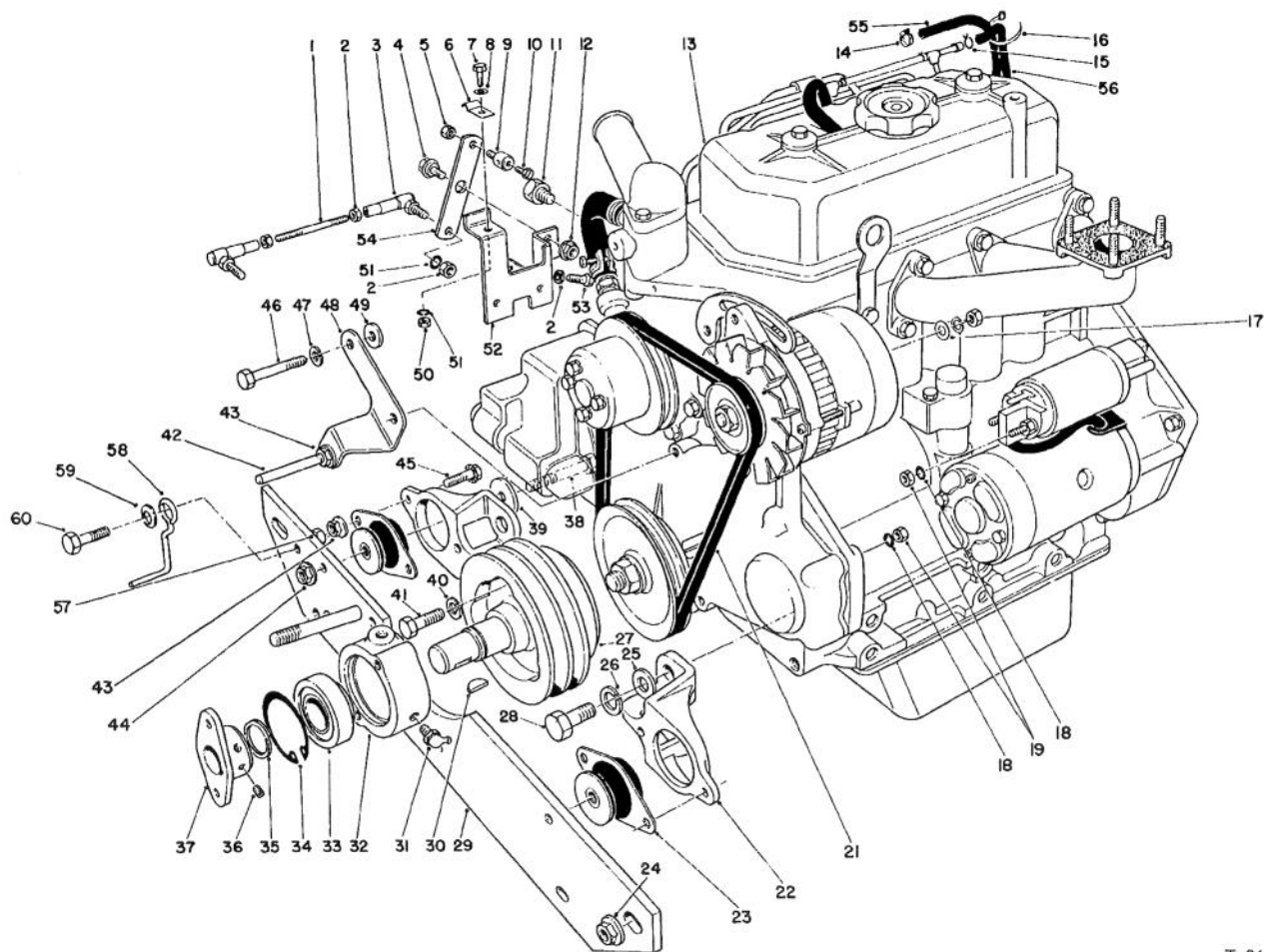


T-0428

## CONTROL VALVE ASSEMBLY NO. 43-1710

Ref. No.	Part No.	Description	No. Used	Ref. No.	Part No.	Description	No. Used
1	22-8330	Plug	2	8	22-8420	Spool	1
2	237-42	O-Ring	2	10	22-8380	Spring Retainer	1
3	22-8340	Spring	2	11	22-8410	Spring	1
4	22-8350	Ball	2	12	22-8390	Spring Retainer	1
5	22-8370	Seat - Check Valve	2	13	22-8400	Spacer Float	1
6	22-8360	Pin - Cam	2	14	22-8480	Spring Ring Spool	1
7	43-1730	Body	1	15	22-8490	Snap Ring	1

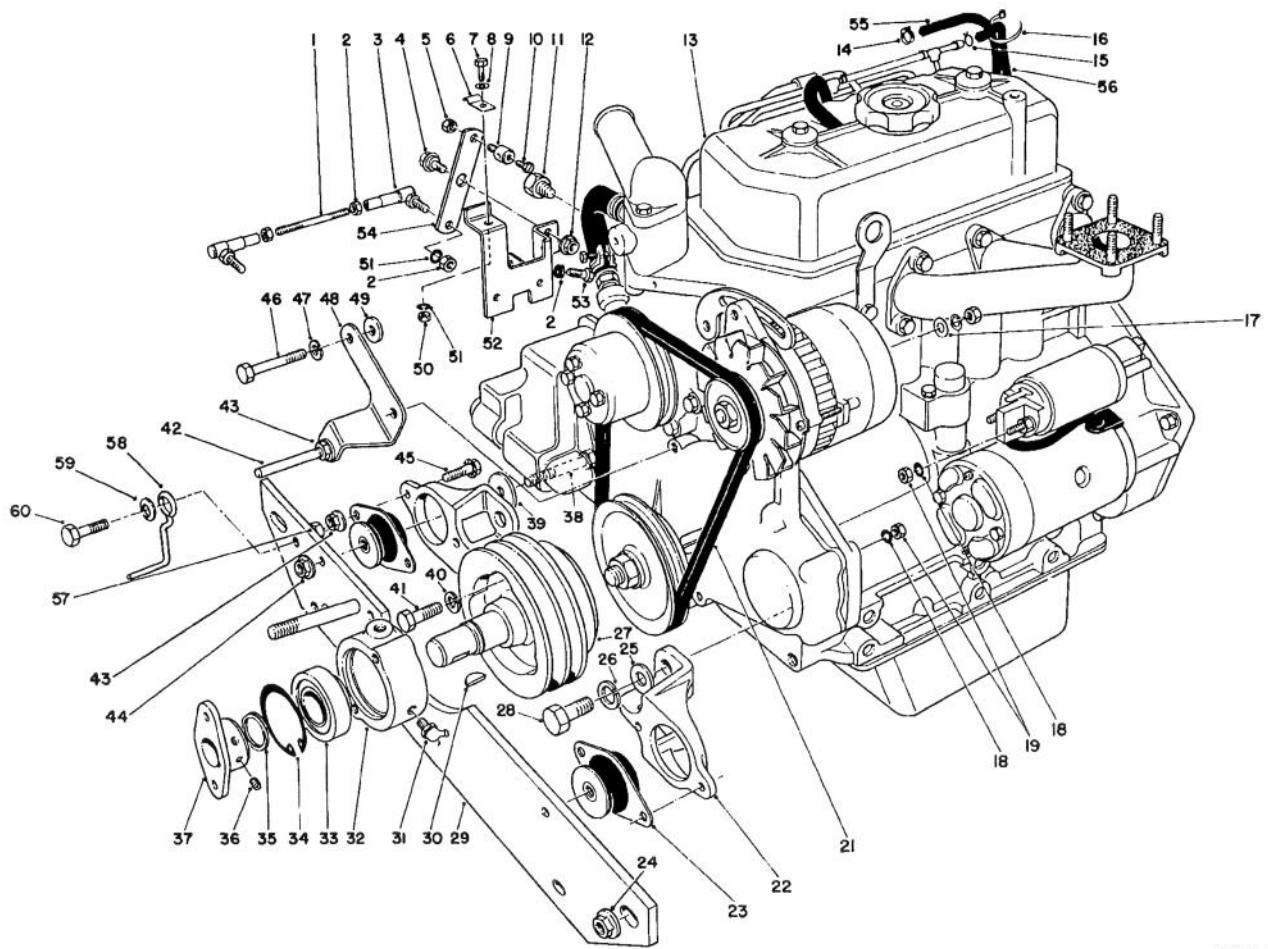




T-0429

## ENGINE ASSEMBLY

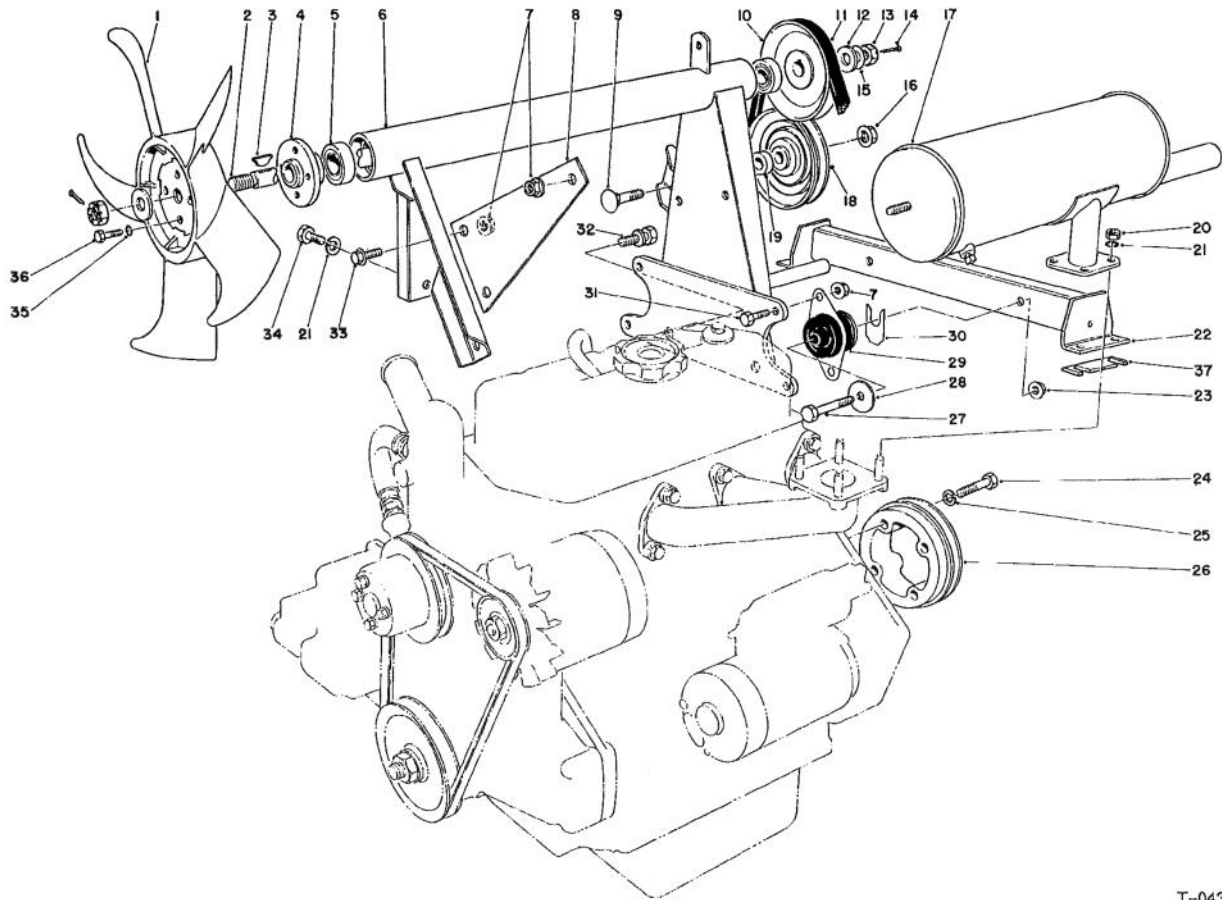
Ref. No.	Part No.	Description	No. Used	Ref. No.	Part No.	Description	No. Used
1	43-3770	Link - Throttle	1	28	43-3210	Screw - Cap, Hex. Hd.	4
2	3219-1	Nut	5	29	75-9900	Engine Support - Front	1
3	18-1720	Ball Joint Assembly	2	30	3257-33	Key Woodruff	1
4	37-8770	Bolt - Shoulder	1	31	302-10	Grease Fitting	1
5	3296-20	Nut - Lock	1	32	43-3720	Collar - Bearing	1
6	2412-31	Clamp - Bodine	1	33	251-252	Ball Bearing	1
7	321-4	Screw - Cap, Hex. Hd.	1	34	32120-22	Ring - Retaining, Internal	1
8	3256-22	Washer - Flat	1	35	32120-69	Ring - Retaining, External	1
9	43-3780	Swivel - Throttle Control	1	36	3245-1	Screw - Set, Socket Head	2
10	25-8640	Screw - Machine	1	37	27-1960	Hub - Engine	1
11	43-1940	Adapter - Temp. Gauge	1	38	324-12	Screw - Cap, Hex. Hd.	2
12	32152-1	Nut - Lock, Flange	1	39	53-9480	Washer	2
13	43-1440	Engine	1	40	42-9600	Washer - Lock	3
14	2412-108	Clamp - Worm Drive	1	41	43-3190	Screw - Cap, Hex. Hd.	3
15	2412-79	Clamp	1	42	21-1820	Stud - Belt Retainer	2
16	3290-378	Cable Tie	1	43	3290-357	Nut - Lock, Flange	7
17	5-3637	Washer	1	44	32128-37	Nut - Lock, Flange	2
18	3254-2	Washer - Lock, Int. Tooth	3	45	3234-11	Screw - Cap, Hex. Hd.	4
19	42-9580	Nut	2	46	43-3220	Screw - Cap, Hex. Hd.	2
21	42-9100	Belt Fan	1	47	3253-4	Washer - Lock	2
22	53-9710	Engine Mount	2	48	43-3790	Bracket Belt Guide	1
23	53-9680	Engine Mount - Rubber	2	49	4-2390	Washer	2
24	32128-23	Nut - Lock, Flange	2	50	3217-5	Nut	1
25	3256-64	Washer - Flat	4	51	3253-3	Washer - Lock	3
26	43-5950	Washer - Lock	4	52	43-3730	Bracket Throttle Control	1
27	43-3510	Pulley - Engine	1	53	329-7	Screw - Cap, Hex. Hd.	1



T-0429

## ENGINE ASSEMBLY (Continued)

Ref. No.	Part No.	Description	No. Used	Ref. No.	Part No.	Description	No. Used
54	43-3760	Lever Throttle	1	58	63-1400	Belt Guide	1
55	47-7420	Hose	1	59	3290-224	Washer - Lock	1
56	43-4230	Hose	1	60	3234-18	Screw - Cap, Hex. Hd.	1
57	32153-2	Nut - Lock	1				

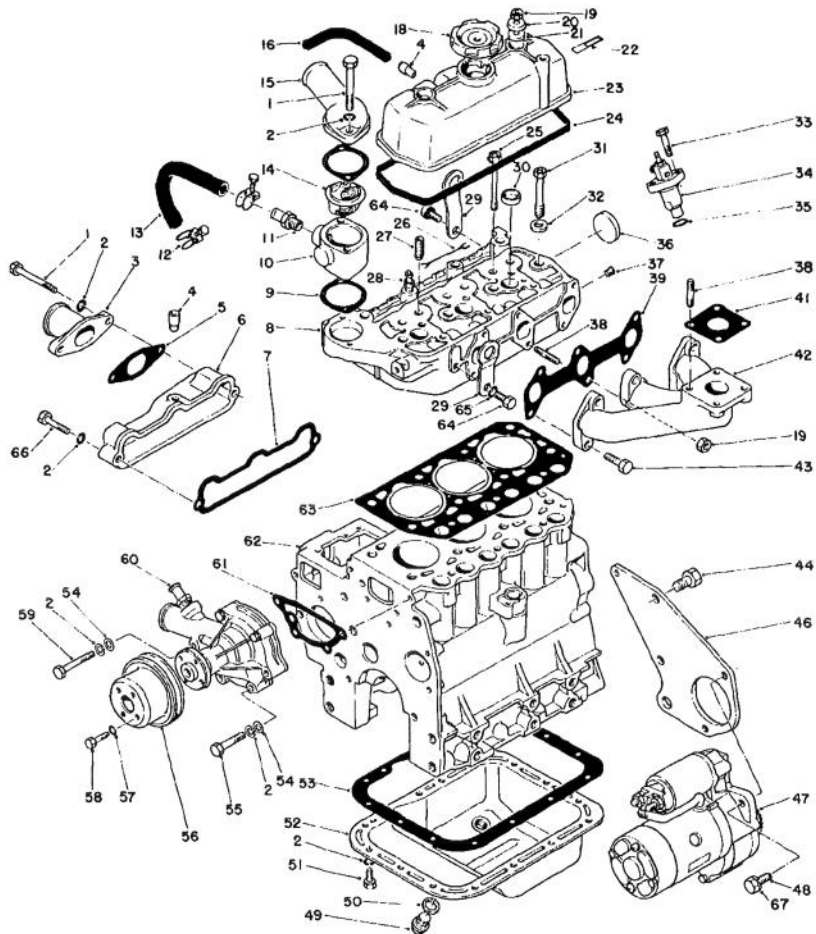


T-0430A

## ENGINE ASSEMBLY (Continued)

Ref. No.	Part No.	Description	No. Used	Ref. No.	Part No.	Description	No. Used
1	43-1910	Fan - Cooling	1	21	3253-4	Washer - Lock	5
2	43-3690	Fan - Shaft	1	22	77-3140	Engine Mount	1
3	3257-30	Key - Woodruff	2	23	32128-37	Nut - Lock, Flange	2
4	43-3700	Hub-Fan	1	24	43-3200	Screw - Cap, Hex. Hd.	4
5	38-7820	Bearing	2	25	42-9600	Washer - Lock	4
6	53-9750	Fan Mount	1	26	43-3530	Pulley Flywheel	1
7	3290-357	Nut - Lock, Flange	8	27	324-11	Screw - Cap, Hex. Hd.	2
8	43-3870	Support - Muffler	1	28	53-9480	Washer	2
9	3233-14	Bolt - Carriage	1	29	53-9680	Engine Mount - Rubber	2
10	43-3880	Pulley	1	30	42-6080	Shim	A/R
11	43-5910	V-Belt	1	31	3234-11	Screw - Cap, Hex. Hd.	4
12	29-8910	Washer	2	32	66-7030	Screw - Cap, w/Washer	2
13	32136-3	Nut - Hex. Slotted	2	33	3234-12	Screw - Lock, Flange	2
14	3272-16	Cotter Pin	2	34	42-9230	Screw - Cap, Hex. Hd.	1
15	3-6803	Washer	A/R	35	3253-3	Washer - Lock	4
16	32128-23	Nut - Lock, Flange	1	36	321-3	Screw - Cap, Hex. Hd.	4
17	43-3850	Muffler	1	37	68-9110	Shim	A/R
18	66-5310	Idler Pulley	1	*	68-9111	Shim	A/R
19	66-5320	Spacer	1	*	68-9112	Shim	A/R
20	42-9580	Nut	4				

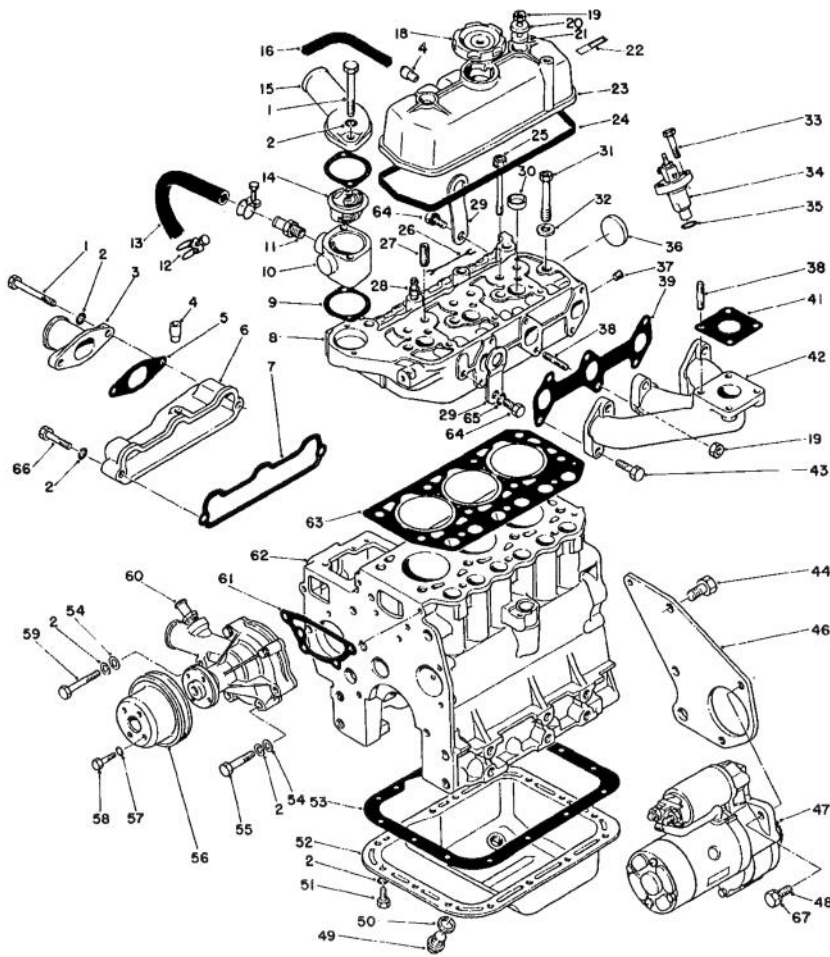
\*Not Illustrated



T-0431

## ENGINE ASSEMBLY (Continued)

Ref. No.	Part No.	Description	No. Used	Ref. No.	Part No.	Description	No. Used
1	42-9310	Screw - Cap Hex. Hd.	4	26	42-9180	Wire - Glow Plug Lead	2
2	42-9850	Washer - Lock	24	27	42-7460	Guide - Valve	6
3	42-9150	Pipe Inlet	1	28	42-7480	Glow Plug	3
4	42-7510	Pipe	2	29	42-7440	Hanger - Engine	2
5	42-9160	Gasket - Inlet Pipe	1	30	42-7080	Cap - Sealing (25)	3
6	42-9120	Assembly - Intake Manifold	1	31	42-9320	Bolt - Cylinder Head (12 x 98)	8
7	42-9140	Gasket - Intake Manifold	1	32	42-9790	Washer - Head Bolt	8
8	72-4290	Assembly - Head, Cylinder	1	33	42-9390	Bolt (8 x 32)	6
9	42-7550	Gasket	2	34	44-8070	Assembly - Nozzle & Holder	3
10	43-1790	Fitting - Thermostat	1	35	42-8120	Gasket - Nozzle Holder	3
11	42-7740	Nipple - Hose	1	36	42-7090	Cap - Sealing (45)	1
12	43-3140	Clamp - Hose	2	37	42-7410	Plug - Taper 1/8	1
13	43-3130	Hose - Water (Incl. Ref. #12)	1	38	42-9570	Stud (8 x 25)	5
14	43-1780	Thermostat	1	39	42-9170	Gasket - Exhaust Manifold	1
15	42-7540	Fitting - Water Outlet	1	41	42-9110	Gasket	1
16	42-7430	Pipe - Air Breather	1	42	43-1870	Manifold - Exhaust	1
18	42-7420	Cap - Oil Filter	1	43	42-9520	Screw - Cap (8 x 30)	5
19	42-9580	Nut (8)	3	44	42-9240	Screw - Cap (12 x 28)	3
20	42-9800	Washer	2	46	43-1770	Plate - Rear	1
21	42-7490	Seal - Oil	2	47	46-7610	Assembly - Starter	1
22	42-7530	Label - Engine No.	1	48	43-0090	Screw - Cap (10 x 25)	2
23	42-7500	Assembly - Cover, Rocker	1	49	42-9260	Plug - Oil Drain	1
24	42-7520	Gasket - Rocker Cover	1	50	42-7290	Gasket - Oil Drain Plug (18)	1
25	42-9330	Bolt - Cylinder Head (10 x 90)	3	51	42-9230	Screw - Cap (8 x 16)	15



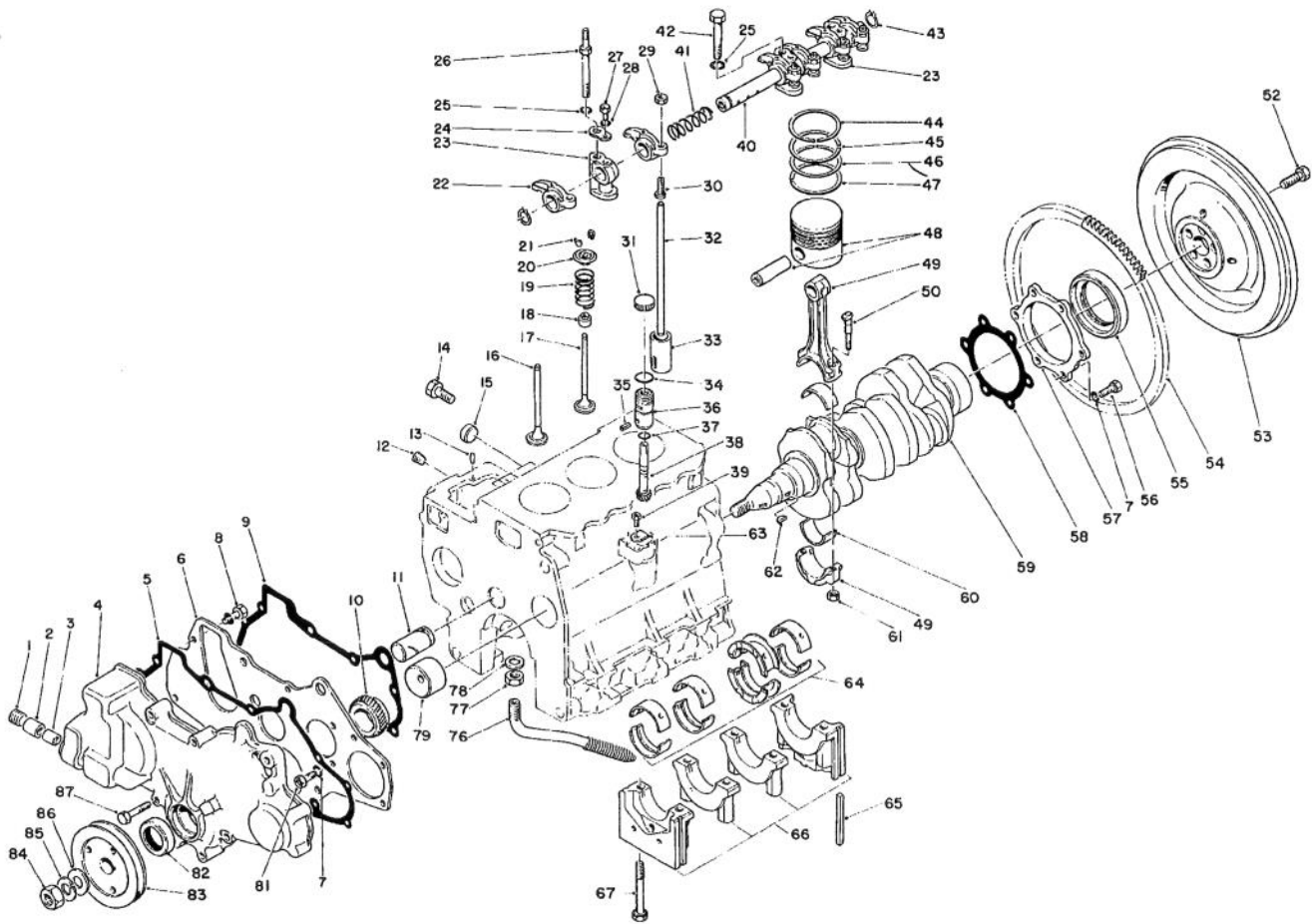
T-0431

## ENGINE ASSEMBLY (Continued)

Ref. No.	Part No.	Description	No. Used	Ref. No.	Part No.	Description	No. Used
52	42-7280	Oil Pan Assembly (Inc. Ref. #49 & 50)	1	60	42-9080	Water Pump Assembly	1
53	42-7300	Gasket - Oil Pan	1	61	42-9090	Gasket - Water Pump	1
54	42-9660	Washer - Plain (8)	4	62	48-2020	Cylinder Block Sub Assy.	1
55	42-9500	Screw - Cap (8 x 45)	3	63	42-7470	Gasket - Cylinder Head	1
56	42-9070	Pulley - Water Pump	1	64	42-9300	Screw -Cap (10 x 20)	2
57	43-5930	Washer - Lock	4	65	42-9600	Washer - Lock	2
58	42-9490	Screw - Cap (6 x 12)	4	66	42-9530	Screw - Cap (8 x 40)	1
59	42-9510	Screw - Cap (8 x 60)	1	67	42-9600	Washer - Lock	2
				*	42-9200	Complete Gasket Set	1

\*Not Illustrated





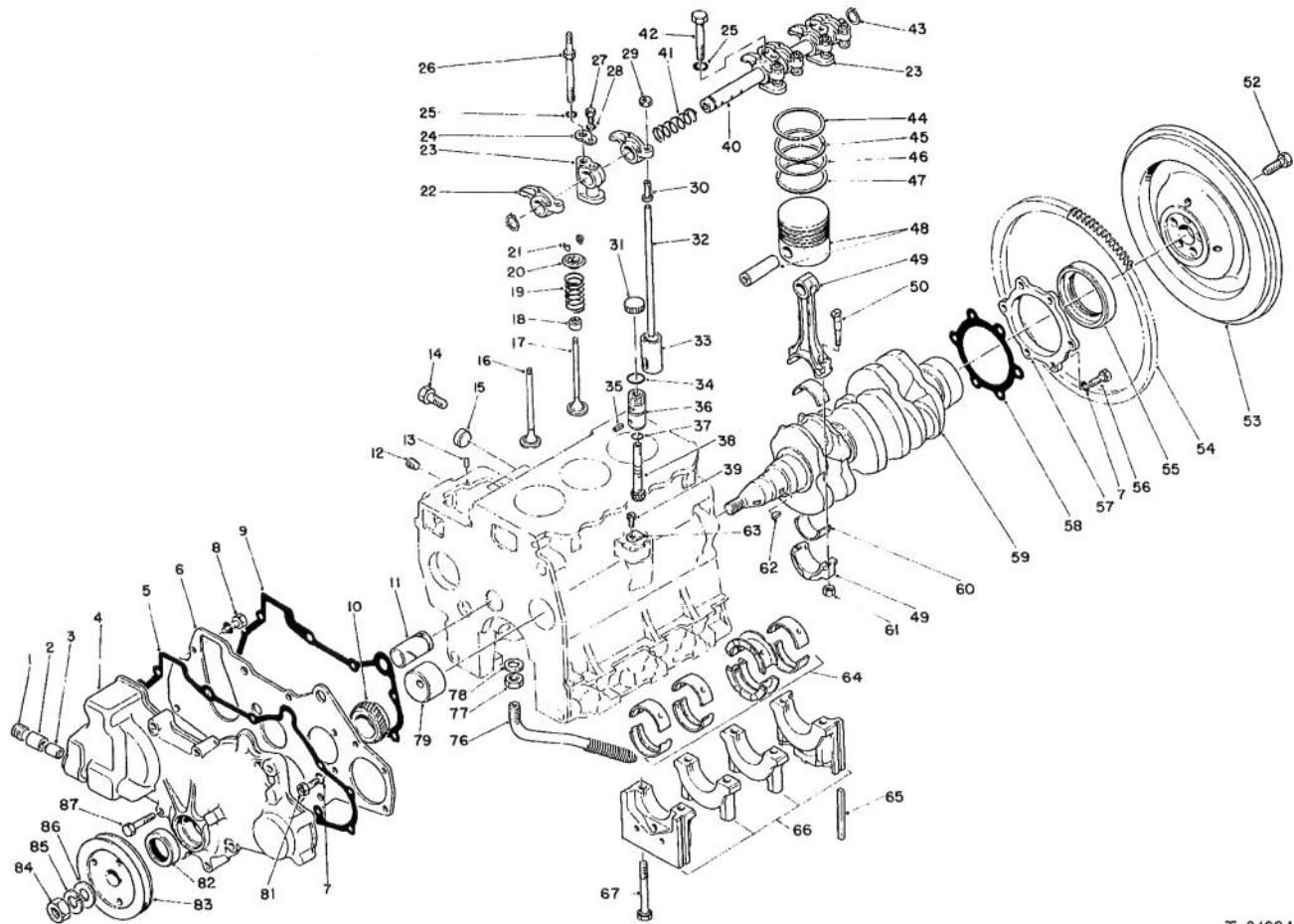
T-0432A

## ENGINE ASSEMBLY (Continued)

Ref. No.	Part No.	Description	No. Used	Ref. No.	Part No.	Description	No. Used
1	42-7400	Plug - Taper	1	30	42-7980	Screw - Adjusting	6
2	42-7320	Bearing - Needle	1	31	49-7990	Cap - Shipping	1
3	42-7310	Bearing - Needle	1	32	42-7920	Rod - Push	6
4	42-7330	Case - Gear	1	33	42-7890	Tappet	6
5	42-7340	Gasket - Gear Case	1	34	42-9010	O-Ring	1
6	62-3740	Plate - Front	1	35	42-8970	Pin - Spring	1
7	42-9850	Washer - Lock	11	36	42-8980	Sleeve - Gear	1
8	62-3730	Screw - Cap, w/Washer	2	37	42-8990	O-Ring	1
9	42-7150	Gasket - Front Plate	1	†38	42-9440	Gear - Driven	1
10	42-7700	Gear - Crankshaft	1	39	42-9440	Screw - Cap, Hex. Hd.	1
11	42-7110	Shaft - Idler	1	40	42-7960	Shaft Assembly - Rocker	1
12	42-7210	Plug - Taper	3	41	42-7930	Spring - Rocker Shaft L.H.	1
13	42-7030	Pin - Dowel	2	42	42-9370	Screw - Cap, Hex. Hd.	1
14	42-9250	Screw - Cap, Hex. Hd.	4	43	42-7990	Ring - Snap	2
15	42-7080	Cap - Sealing	2	44	72-4200	Ring Set - Piston Std.	3
16	42-7900	Valve - Intake	3	45	72-4210	Ring Set - Piston 0.25 (.010 in.) 0.5.	3
17	42-7910	Valve - Exhaust	3	46	72-4220	Ring Set - Piston 0.50 (.020 in.) 0.5.	3
18	42-7870	Seal - Valve Stem	6	47	72-4230	Ring Set - Piston 0.75 (.030 in.) 0.5.	3
19	42-7880	Spring - Valve	6	48	72-4240	Piston & Piston Pin Std.	3
20	42-7850	Retainer - Valve Spring	6	*	72-4250	Piston & Piston Pin 0.25 (.010 in.) 0.5.	3
21	42-7860	Lock - Spring Retainer	12	*	72-4260	Piston & Piston Pin 0.50 (.020 in.) 0.5.	3
22	42-7940	Arm - Rocker	6	*	72-4270	Piston & Piston Pin 0.75 (.030 in.) 0.5.	3
23	42-7970	Stay - Rocker	3				
24	42-7950	Washer - Seat	2				
25	42-9600	Washer - Spring	3				
26	42-9360	Bolt	2				
27	42-9350	Screw - Cap, Hex. Hd.	2				
28	43-5930	Washer - Lock	2				
29	42-9620	Nut - Jam	6				

\*Not Illustrated

†Not Serviced Separately



T-0432A

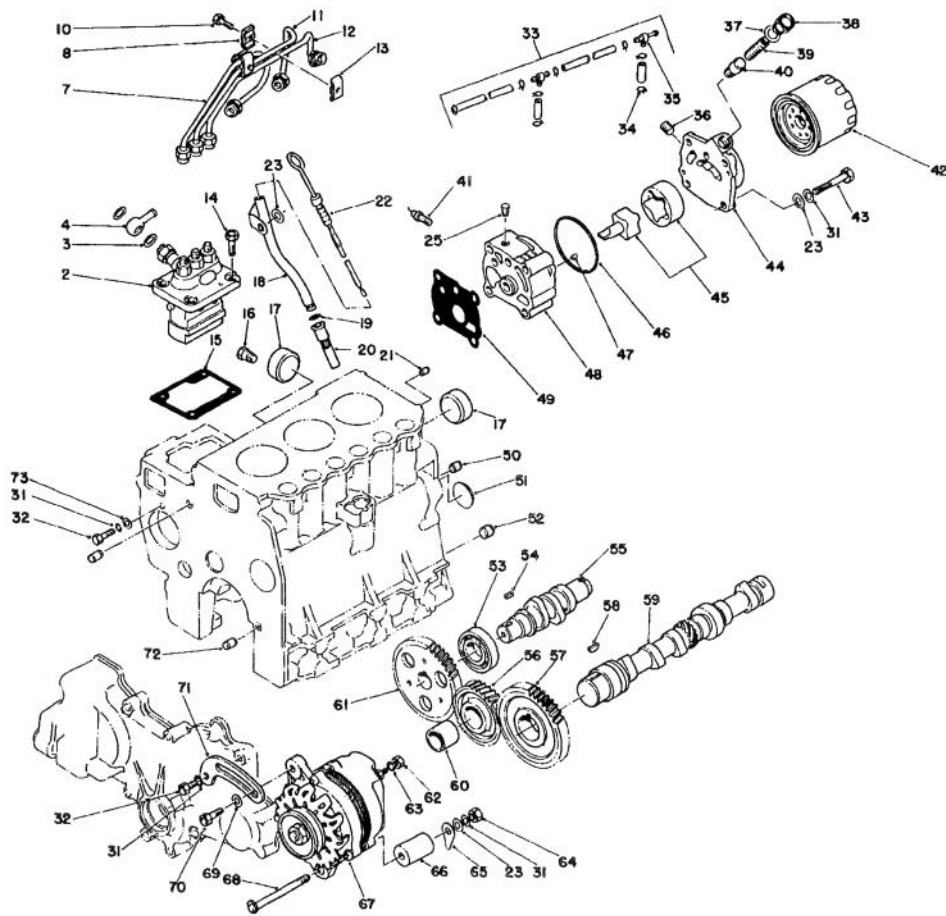
## ENGINE ASSEMBLY (Continued)

Ref. No.	Part No.	Description	No. Used
49	42-7650	Connecting Rod Assembly	3
50	42-9470	Bolt - Connecting Rod	6
52	54-8670	Bolt - Flywheel	5
53	43-1800	Flywheel (Incl. Ref. #54)	1
54	43-1810	Gear - Ring	1
55	42-7060	Seal - Oil	1
56	42-9220	Screw - Cap, Hex. Hd.	6
57	42-7120	Case - Oil Seal	1
58	42-7130	Gasket - Oil Seal	1
59	42-7710	Crankshaft	1
60	42-7660	Bearing Set Connecting Rod Std.	3
*	42-7670	Bearing Set Connecting Rod 0.25 (.010 in.) U.S.	3
*	42-7680	Bearing Set Connecting Rod 0.50 (.020 in.) U.S.	3
*	42-7690	Bearing Set Connecting Rod 0.75 (.030 in.) U.S.	3
61	42-9590	Nut - Connecting Rod	6
62	42-7730	Key - Woodruff	2
63	42-9020	Plate - Locking	1

Ref. No.	Part No.	Description	No. Used
64	42-7230	Bearing Set Crankshaft Std.	1
*	42-7240	Bearing Set - Crankshaft 0.25 (.010 in.) U.S.	1
*	42-7250	Bearing Set - Crankshaft 0.50 (.020 in.) U.S.	1
*	42-7260	Bearing Set - Crankshaft 0.75 (.030 in.) U.S.	1
65	42-7040	Seal - Side	4
†66		Bearing Cap Assembly	1
67	42-9210	Bolt - Bearing Cap	8
76	48-2010	Screen - Assembly Oil	1
77	48-1990	Nut - Jam	1
78	48-1980	Gasket	1
79	42-7100	Bushing - Camshaft	1
81	42-9230	Screw - Cap, Hex. Hd.	3
82	42-7390	Seal - Oil	1
83	42-7720	Pulley - Crankshaft	1
84	43-6470	Nut	1
85	42-9860	Washer - Spring	1
86	42-9810	Washer - Flat	1
87	42-9500	Screw - Cap, Hex. Hd.	8
88	82-2590	Plug - Thrust	1
*	42-8960	Driven Unit - Speedometer (Incl. Ref. #34-38)	1

\*Not Illustrated  
†Not Available



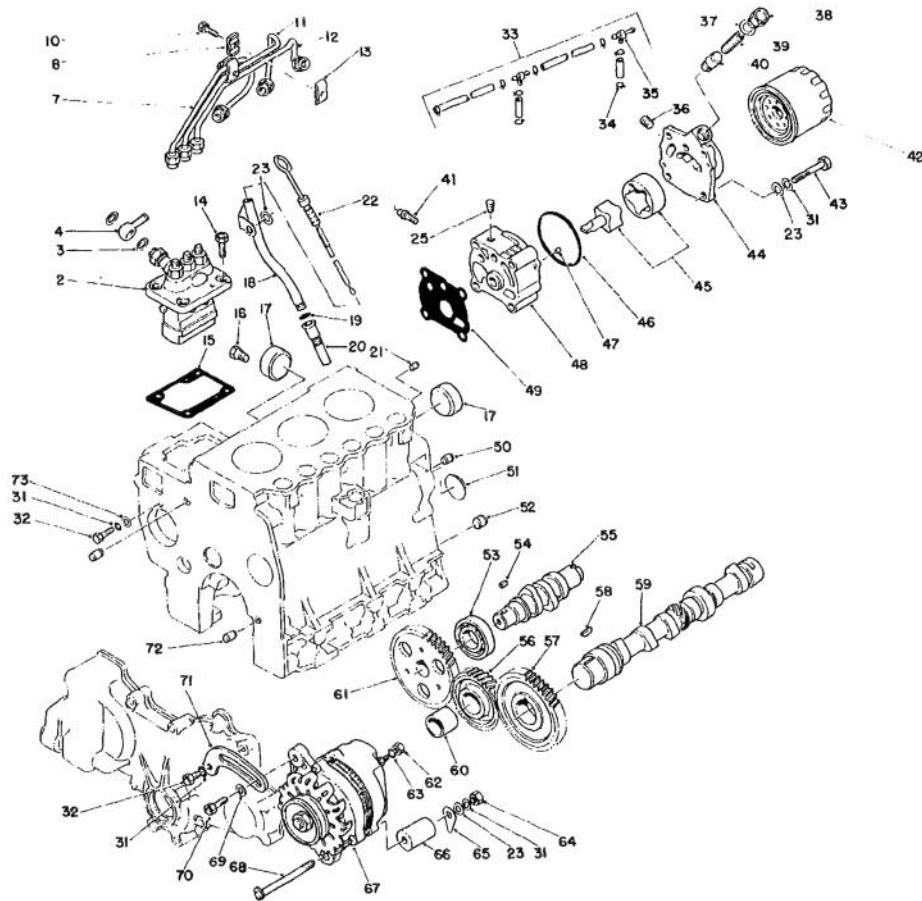


T-0433

## ENGINE ASSEMBLY (Continued)

Ref. No.	Part No.	Description	No. Used	Ref. No.	Part No.	Description	No. Used
2	42-8000	Pump Assy. - Fuel Injection	1	20	43-2900	Retainer - Oil Level Guide	1
3	42-9830	Washer - Seal	2	21	42-71 60	Pin - Dowel	1
4	42-8100	Collar - Union	1	22	42-7270	Gauge Assembly - Oil Level	1
7	42-8130	Pipe Assy. - Fuel Injection (No. 1)	1	23	42-9660	Washer - Flat	6
8	42-8160	Clamp	2	25	42-7410	Plug - Taper	1
10	43-2600	Capscrew	2	31	42-9850	Washer - Lock	7
11	42-8140	Pipe Assy. - Fuel Injection (No. 2)	1	32	42-9230	Screw - Cap, Hex. Hd.	2
12	42-8150	Pipe Assy. - Fuel Injection (No.3)	1	33	42-8180	Fuel Return Pipe Assembly	1
13	42-8170	Clamp	2	34	2412-79	Clamp - Hose	8
14	43-0110	Screw - Cap, Hex. Hd.	4	35	42-8190	Joint	2
15	42-8010	Shim - 0.2 (.008 in.)	A/R	36	42-7210	Plug - Taper	1
*	42-8020	Shim - 0.3 (.012 in.)	A/R	37	42-8880	Gasket	1
*	42-8030	Shim - 0.4 (.016 in.)	A/R	38	42-8870	Plug	1
*	42-8040	Shim - 0.5 (.020 in.)	A/R	39	42-8930	Spring - Relief	1
*	42-8050	Shim - 0.6 (.024 in.)	A/R	40	42-8860	Plunger - Relief	1
*	42-8060	Shim - 0.7 (.028 in.)	A/R	41	42-9060	Oil Pressure Switch Assy.	1
*	42-8070	Shim - 0.8 (.032 in.)	A/R	42	42-9030	Filter Assembly - Oil	1
*	42-8080	Shim - 0.9 (.036 in.)	A/R	43	42-9480	Screw - Cap, Hex. Hd.	4
*	42-8090	Shim - 1.0 (.039 in.)	A/R	44	42-8920	Cover - Oil Pump	1
16	281-1	Plug - Taper	1	45	42-8910	Rotor Assembly - Oil Pump	1
17	42-7090	Cap - Sealing	2	46	42-8940	O-Ring	1
18	42-7050	Guide - Oil Level Gauge	1	47	42-7030	Pin - Dowel	2
19	43-2710	O-Ring	1	48	42-8900	Body - Oil Pump	1
				49	42-8950	Gasket - Oil Pump Body	1
				50	42-7180	Bushing - Knock	2
				51	42-7170	Plug - Expansion	1

\*Not Illustrated



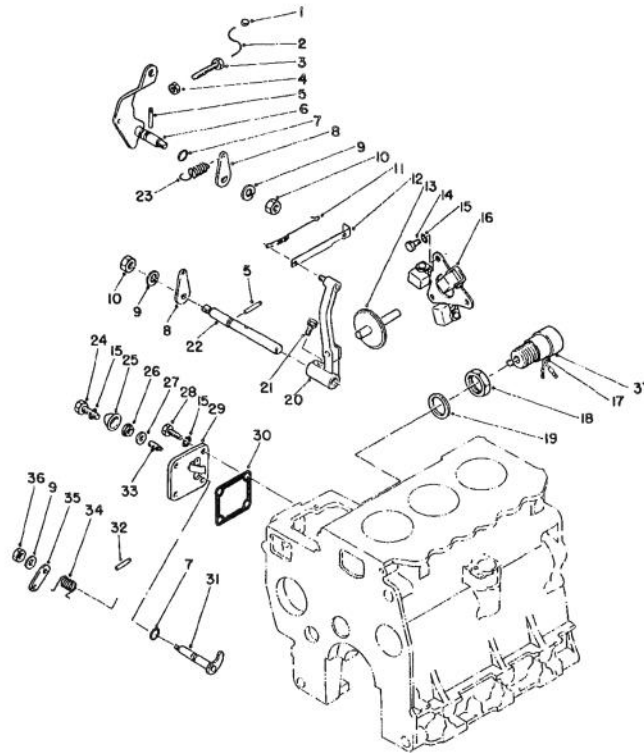
T-0433

## ENGINE ASSEMBLY (Continued)

Ref. No.	Part No.	Description	No. Used
52	42-7200	Bushing - Knock	1
53	42-7820	Bearing - Ball	1
54	42-7840	Key - Sunk	1
55	42-7810	Shaft - Injection Pump Cam	1
56	42-7790	Idler Gear Assembly (Incl. Ref. #60)	1
57	42-7780	Gear - Camshaft	1
58	42-7730	Key - Woodruff	1
59	72-4280	Camshaft	1
60		Bushing - Idler Gear	1
61	42-7830	Gear - Injection Pump Cam	1
62	43-5970	Nut	1
63	43-5920	Washer - Lock	1

Ref. No.	Part No.	Description	No. Used
64	42-9580	Nut	1
65	43-0370	Shim	AIR
66	43-0380	Spacer	1
67	43-0390	Alternator (Model AH2035M4)	1
68	43-1900	Screw - Cap, Hex. Hd.	1
69	54-8660	Washer	1
70	54-8650	Screw - Cap, Flange Hd.	1
71	43-0400	Brace - Alternator	1
72	42-7190	Bushing - Knock	2
73	42-9820	Washer	1
*	42-8850	Oil Pump Assembly (Incl. Ref. 36-40 & 44-48)	1

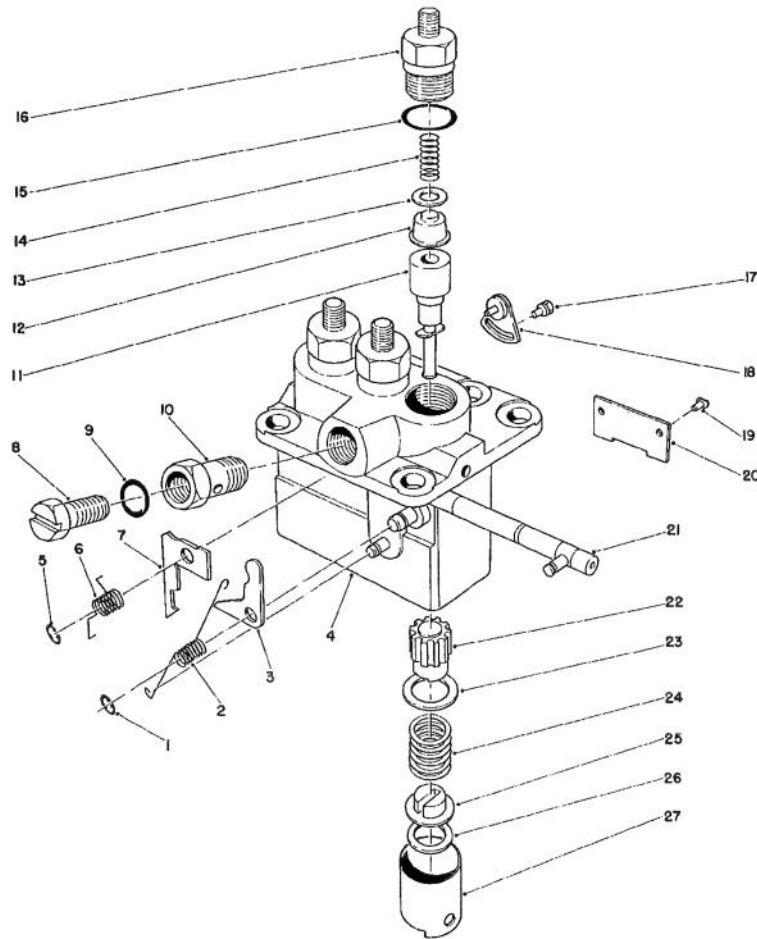
\*Not Illustrated



T-0434

## ENGINE ASSEMBLY (Continued)

Ref. No.	Part No.	Description	No. Used	Ref. No.	Part No.	Description	No. Used
1	42-8690	Metal - Sealing	1	20	42-8730	Governor Lever Assembly	1
2	42-8700	Wire	1	21	42-9450	Bolt/Washer - Assembled	1
3	42-9420	Bolt - High Speed Set	1	22	42-8760	Governor Shaft	1
4	43-2830	Nut	1	23	42-8820	Governor Spring	1
5	42-8810	Pin - Grooved	2	24	43-2800	Screw - Cap, Hex. Hd.	1
6	42-8780	Speed Control Lever Assy.	1	25	43-2820	Sealing Cap	1
7	42-8830	O-Ring	2	26	43-5960	Nut - Special	1
8	42-8770	Lever - Governor Spring	2	27	43-3120	Washer - Seal	1
9	42-9850	Washer - Lock	2	28	42-9400	Screw - Cap, Hex. Hd.	3
10	42-9580	Nut - Jam	2	29	42-8790	Cover Assembly	1
11	42-8740	Spring - Tie Rod	1			(Incl. Ref. #25, 27 & 33)	
12	42-8750	Tie Rod	1	30	42-8800	Gasket Cover	1
13	42-8720	Sliding Shaft Assembly	1	31	44-8090	Lever Assembly Stop	1
14	42-9430	Screw - Cap, Hex. Hd.	3	32	42-8810	Pin - Grooved	1
15	43-5930	Washer - Lock	7	33	43-3160	Screw - Adjusting	1
16	42-8710	Weight Assembly - Governor	1	34	44-8100	Spring Return	1
17	43-2730	Solenoid - Tubular	1	35	43-2770	Lever - Stop	1
18	43-2750	Nut	1	36	42-9640	Nut - Jam	1
19	43-2740	Gasket	1	37	62-6940	Cap	1

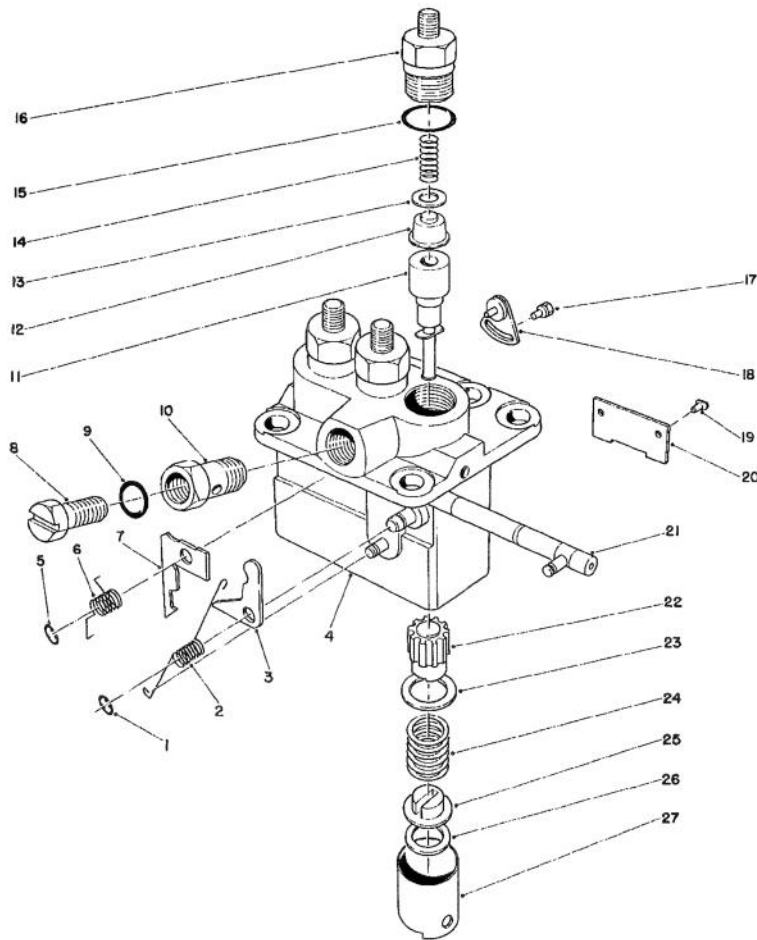


T-0435

## FUEL INJECTION PUMP ASSEMBLY NO. 42-8000

Ref. No.	Part No.	Description	No. Used	Ref. No.	Part No.	Description	No. Used
1	43-3100	E-Ring	1	*7	56-0960	Plate - Smoke Set	
2	43-3110	Spring - Ungleich Set	1		2.7 (.106 in.)		A/R
3	43-2910	Plate - Ungleich Set		*	43-3030	Plate - Smoke Set	
		16.9 (.665 in.)	A/R		2.8 (.110 in.)		A/R
*	43-2920	Plate - Ungleich Set		*	54-8730	Plate - Smoke Set	
		16.8 (.661 in.)	A/R		2.9 (.114 in.)		A/R
*	43-2930	Plate - Ungleich Set		*	43-3040	Plate - Smoke Set	
		16.7 (.657 in.)	A/R		3.0 (.118 in.)		A/R
*	43-2940	Plate - Ungleich Set		*	54-8740	Plate - Smoke Set	
		16.6 (.654 in.)	A/R		3.1 (.122 in.)		A/R
*	43-2950	Plate - Ungleich Set		*	43-3050	Plate - Smoke Set	
		16.5 (.650 in.)	A/R		3.2 (.126 in.)		A/R
4		Pump Housing Sub Assy.	1	*	54-8750	Plate - Smoke Set	
5	54-8780	E-Ring	1		3.3 (.130 in.)		A/R
6	42-8460	Spring Return	1	*	43-3060	Plate - Smoke Set	
7	43-3000	Plate - Smoke Set			3.4 (.134 in.)		A/R
		2.2 (.087 in.)	A/R	*	54-8760	Plate - Smoke Set	
*	54-8700	Plate - Smoke Set			3.5 (.138 in.)		A/R
		2.3 (.091 in.)	A/R	*	43-3070	Plate - Smoke Set	
*	43-3010	Plate - Smoke Set			3.6 (.142 in.)		A/R
		2.4 (.095 in.)	A/R	*	54-8770	Plate - Smoke Set	
*	54-8710	Plate - Smoke Set			3.7 (.146 in.)		A/R
		2.5 (.098 in.)	A/R	*	43-3080	Plate - Smoke Set	
*	43-3020	Plate - Smoke Set			3.8 (.150 in.)		A/R
		2.6 (.102 in.)	A/R	*	43-3090	Plate - Smoke Set	
					4.0 (.157 in.)		A/R

\*Not Illustrated



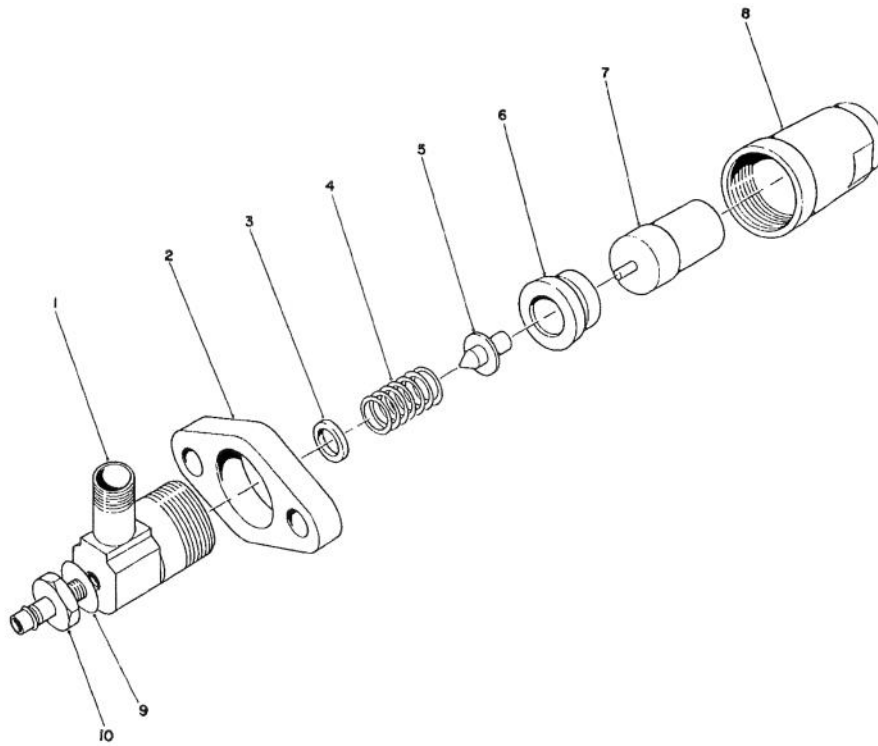
T-0435

## FUEL INJECTION PUMP ASSEMBLY NO. 42-8000 (Cont.)

Ref. No.	Part No.	Description	No. Used
8	42-8370	Screw - Air Breather	1
9	42-9770	Washer	1
10	42-8380	Screw - Hollow	1
11	42-8260	Element Sub Assembly	3
12	42-8250	Delivery Valve Sub Assy.	3
13	42-8240	Gasket - Delivery Valve	3
14	42-8230	Spring - Delivery Valve	3
15	42-8330	O-Ring	3
16	42-8220	Holder - Delivery Valve	3
17	43-3150	Bolt/Washer Assembled	2
18	42-8360	Plate Assembly - Adjusting	2
19	42-8340	Pin - Tappet Guide	3
20	42-8350	Plate	1
21	42-8310	Rack Assembly - Control	1
22	42-8270	Sleeve - Plunger Control	3
23	42-8280	Seat - Spring, Upper	3
24	42-8290	Spring - Pump Plunger	3
25	42-8320	Seat - Spring, Lower	3

Ref. No.	Part No.	Description	No. Used
26	42-8390	Shim - Plate 0.6 (.0241 in.)	A/R
*	42-8400	Shim - Plate 0.2 (.008 in.)	A/R
*	42-8410	Shim - Plate 0.3 (.0121 in.)	A/R
*	42-8420	Shim - Plate 0.4 (.016 in.)	A/R
*	42-8430	Shim - Plate 0.5 (.020 in.)	A/R
*	42-8440	Shim - Plate 0.25 (.010 in.)	A/R
*	42-8450	Shim - Plate 0.35 (.014 in.)	A/R
*	43-6240	Shim - Plate 0.45 (.018 in.)	A/R
*	54-8680	Shim - Plate 0.55 (.022 in.)	A/R
*	54-8690	Shim - Plate 0.65 (.026 in.)	A/R
27	42-8300	Tappet Sub Assembly	3

\*Not Illustrated



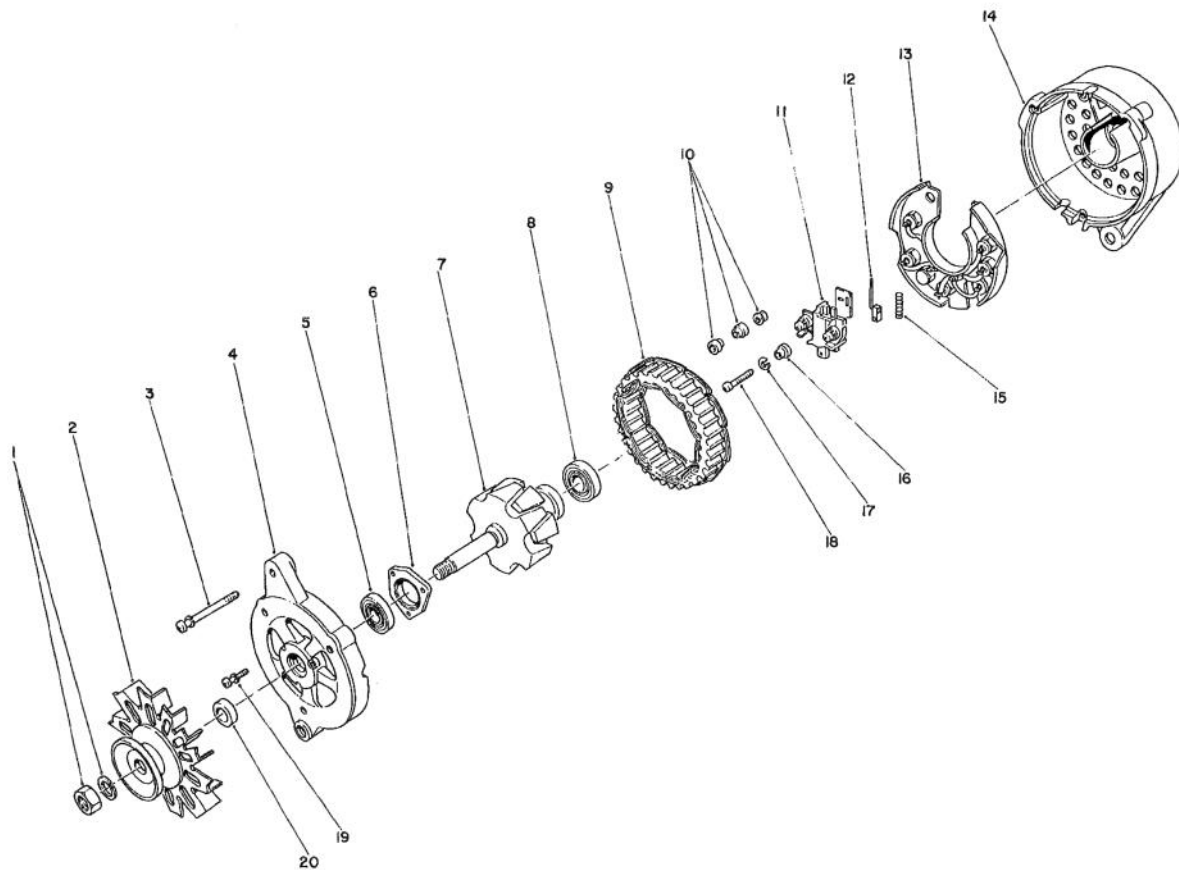
T-0436

## NOZZLE & HOLDER ASSEMBLY NO. 44-8070

Ref. No.	Part No.	Description	No. Used
1	44-8080	Body	3
2	42-8670	Flange	3
3	42-9680	Washer 1.3 (.051 in.)	A/R
*	42-9690	Washer 1.35 (.053 in.)	A/R
*	42-9700	Washer 1.4 (.055 in.)	A/R
*	42-9710	Washer 0.9 (.035 in.)	A/R
*	42-9720	Washer 1.0 (.039 in.)	A/R

Ref. No.	Part No.	Description	No. Used
*3	42-9730	Washer 1.1 (.043 in.)	A/R
*	42-9740	Washer 1.2 (.047 in.)	A/R
*	42-9750	Washer 0.1 (.004 in.)	A/R
4	42-8630	Spring - Pressure	3
5	42-8620	Pin - Pressure	3
6	42-8660	Piece - Distance	3
7	42-8680	Nozzle Assembly	3
8	42-8650	Nut - Retaining	3
9	42-9670	Washer	3
10	42-8640	Nipple	3

\*Not Illustrated



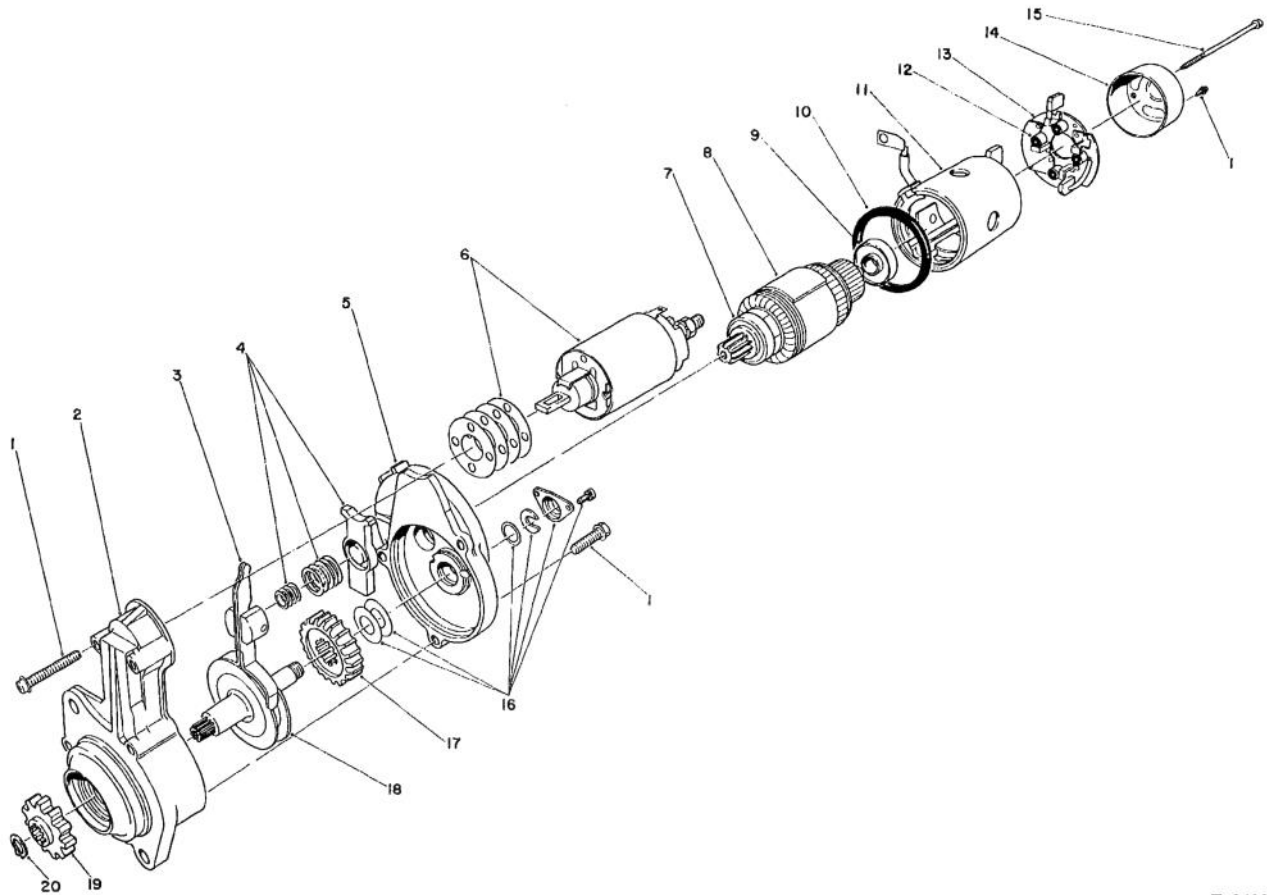
T-0437

## ALTERNATOR ASSEMBLY NO. 43-0390

Ref. No.	Part No.	Description	No. Used
1	43-1920	Nut Set	1
2	43-0420	Pulley Assembly (Incl. Ref. #20)	1
3	43-0120	Screw - Set	1
4	43-0430	Bracket Assembly Front (Incl. Ref. #5-6 & 19)	1
5	43-0440	Bearing - Front	1
6		Plate - Ball Bearing Retainer	1
7	43-0450	Rotor Assembly (Incl. Ref. #8)	1
8	43-0460	Bearing - Rear	1
9	43-0470	Stator	1
10	43-0080	Nut - Set	1

Ref. No.	Part No.	Description	No. Used
11	43-0490	Holder Assembly Brush (Incl. Ref. #12 & 15)	1
12	43-0500	Brush	2
13	43-0520	Rectifier Assembly	1
14	43-0480	Rear Bracket Assembly (Incl. Ref. #10-13 & 15-18)	1
15	43-0510	Spring - Brush	1
16	43-2720	Mold	1
17	43-5920	Washer - Lock	1
18	43-1890	Screw	1
19	43-0130	Screw - Set	1
20		Collar - Shaft	1





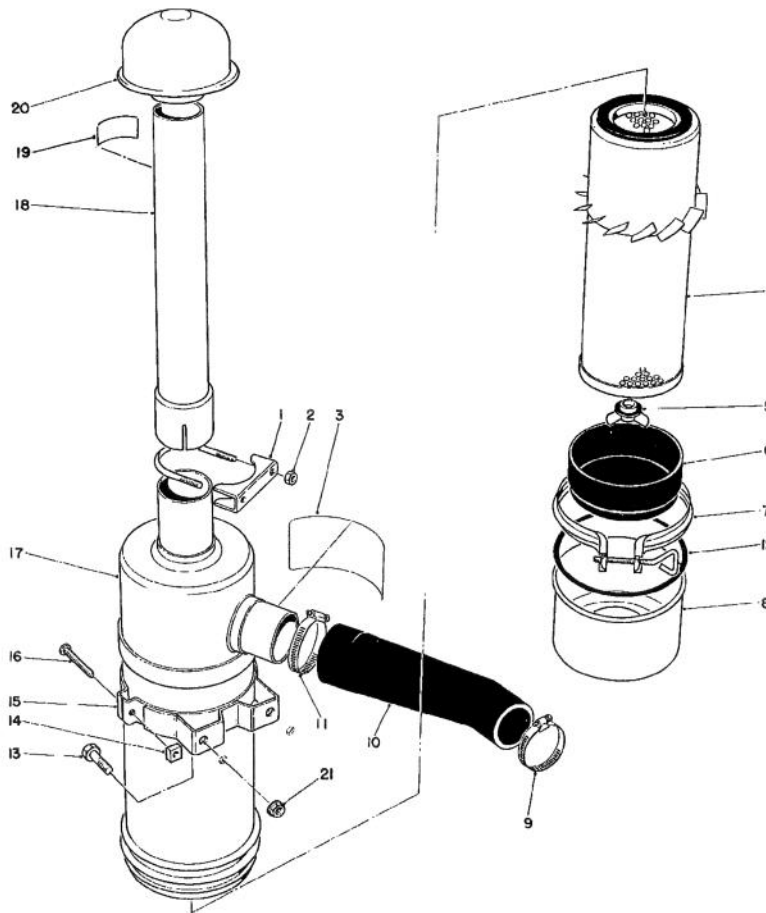
T-0438

## STARTER ASSEMBLY NO. 46-7610

Ref. No.	Part No.	Description	No. Used
1	46-7620	Screw - Set	1
2	46-7630	Bracket Assembly - Front	1
3	46-7540	Lever Assembly	1
4	43-0190	Spring Set	1
5	46-7650	Bracket Assembly - Center	1
6	46-7660	Switch Assembly	1
7	46-7680	Bearing - Front	1
8	46-7670	Armature Set (Incl. Ref. #7 & 9)	1
9	46-7690	Bearing - Rear	1
10	46-8050	Packing	1
11	46-7780	Yoke Assembly	1
12	46-8030	Spring - Brush	4

Ref. No.	Part No.	Description	No. Used
13	46-7790	Brush Holder Assembly (Incl. Ref. #12)	1
14	46-8040	Bracket - Rear	1
15	46-7700	Bolt Set	1
16	46-7770	Cover Set	1
17	46-7760	Gear	1
18	46-7750	Shaft Assembly Pinion	1
19	46-7720	Pinion Set (Incl. Ref. #20)	1
20	46-7730	Snap Ring	1
*	46-7740	Gear Set (Incl. Ref. #17 & 18)	1
*	46-7710	Shaft Assembly - Clutch (Incl. Ref. #16-20)	1

\*Not Illustrated

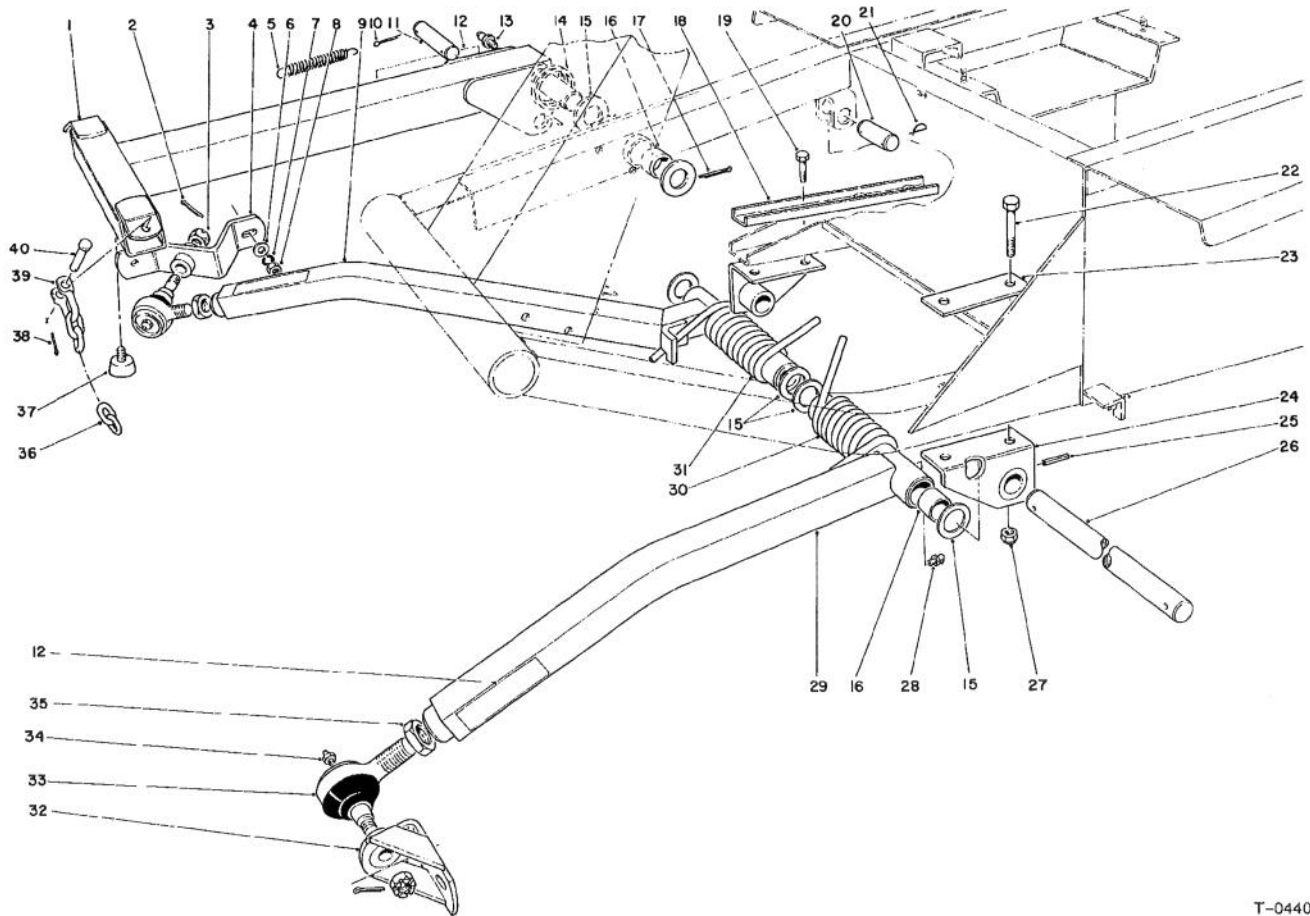


T-0439

## AIR CLEANER ASSEMBLY

Ref. No.	Part No.	Description	No. Used
1	20-4840	Muffler Clamp (Incl. Ref. #2)	1
2	3217-6	Nut	2
3	27-7160	Decal - Instructions	1
4	27-7110	Element Assembly	1
5	27-7120	Nut & Gasket Assembly	1
6	27-7140	Skirt - Baffle	1
7	27-7130	Clamp Assembly	1
8	27-7150	Cap Assembly	1
9	2412-3	Hose - Clamp	1
10	43-3830	Hose - Air Cleaner	1
11	2412-42	Hose Clamp	1

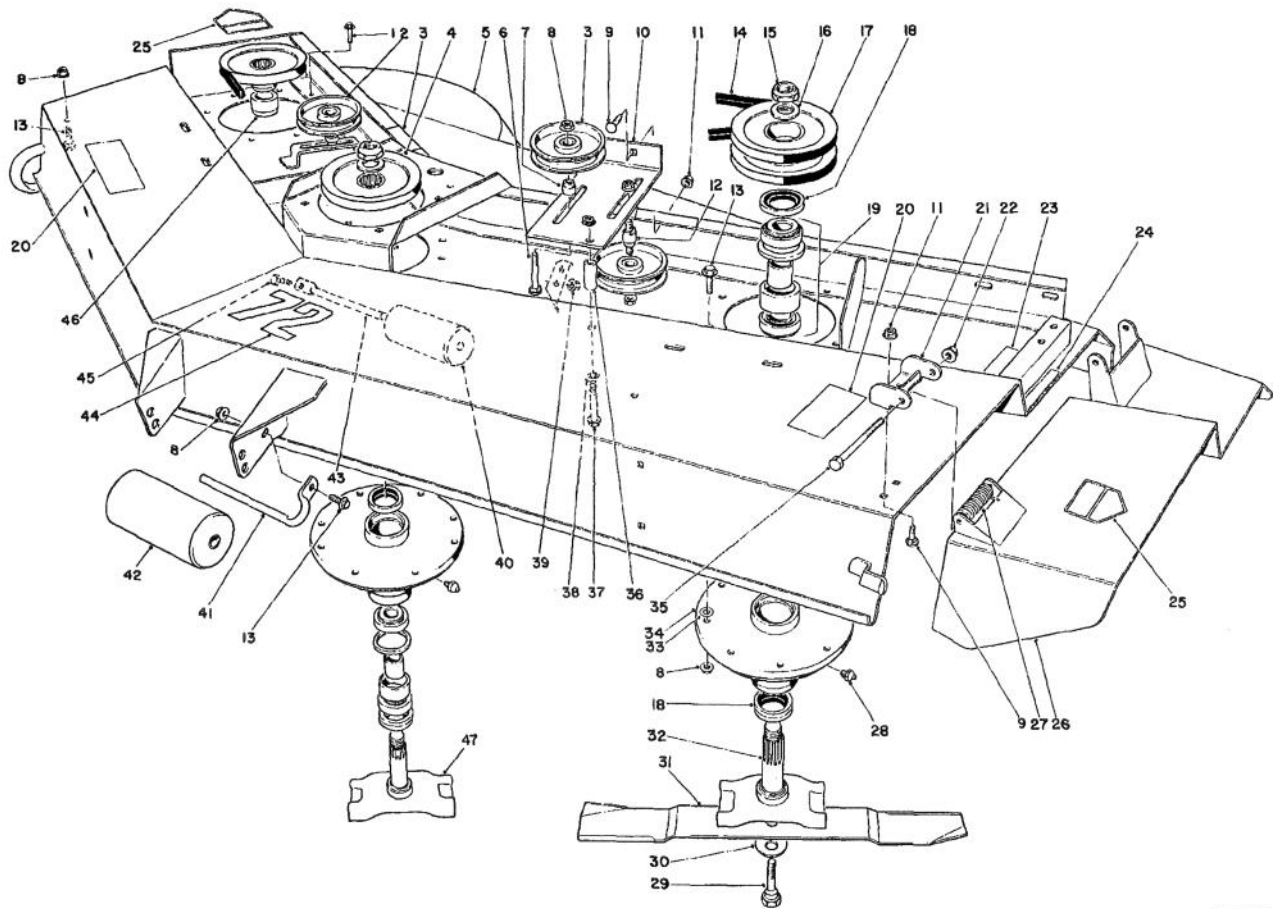
Ref. No.	Part No.	Description	No. Used
12	80-3330	Gasket	1
13	322-3	Screw - Cap, Hex. Hd.	4
14	32107-11	Nut	2
15	27-7170	Band Assy. (Incl. Ref. #14 & 16)	2
16	3258-19	Screw - Mach. Rd. Hd.	2
17	27-7100	Air Cleaner Assembly (Incl. Ref. #3-8)	1
18	43-3810	Tube - Air Cleaner	1
19	67-1700	Decal - Starting Fluid	1
20	27-7180	Cap Assembly - Air Inlet	1
21	32128-20	Nut - Flange	4



T-0440

## PUSH ARM ASSEMBLY

Ref. No.	Part No.	Description	No. Used	Ref. No.	Part No.	Description	No. Used
1	66-6370	Lift Arm	1	21	5-3126	Spring Pin	3
2	3272-11	Cotter Pin	2	22	324-12	Screw - Cap, Hex. Hd.	2
3	32136-2	Nut	2	23	21-3750	Support Plate	1
4	21-3020	Ball Joint Mount R.H.	1	24	21-2860	Push Arm Bracket	2
5	21-1830	Spring Tension	1	25	32121-84	Roll Pin	2
6	3256-25	Washer - Flat	1	26	21-2990	Shaft - Pivot	1
7	3253-6	Washer - Lock	2	27	32152-9	Nut	4
8	3217-8	Nut -Full	2	28	302-33	Grease Fitting	2
9	66-7150	Push Arm R.H. (Incl. Ref. #16 & 28)	1	29	21-2960	Push Arm L.H. (Incl. Ref. #16 & 28)	1
10	3272-24	Cotter Pin	1	30	21-2900	Spring - Torsion L.H.	1
11	24-9510	Pin	1	31	21-2890	Spring - Torsion R.H.	1
12	61-3610	Warning Decal	3	32	21-3050	Ball Joint Mount L.H.	1
13	302-5	Grease Fitting	1	33	21-0160	Ball Joint Assembly	2
14	46-8840	Spring - Lift Arm	1	34	302-2	Grease Fitting	2
15	5-1754	Washer	6	35	21-3000	Nut - Jam	2
16	256-126	Bushing	6	36	3-1365	Chain - Lift	3
17	3272-33	Cotter Pin	1	37	67-9800	Bumper	1
18	23-1950	Support Reinforcement	1	38	3272-10	Cotter Pin	3
19	324-4	Screw - Cap, Hex. Hd.	2	39	5-2942	Shackle	3
20	3-7292	Pin	1	40	283-10	Pin	3

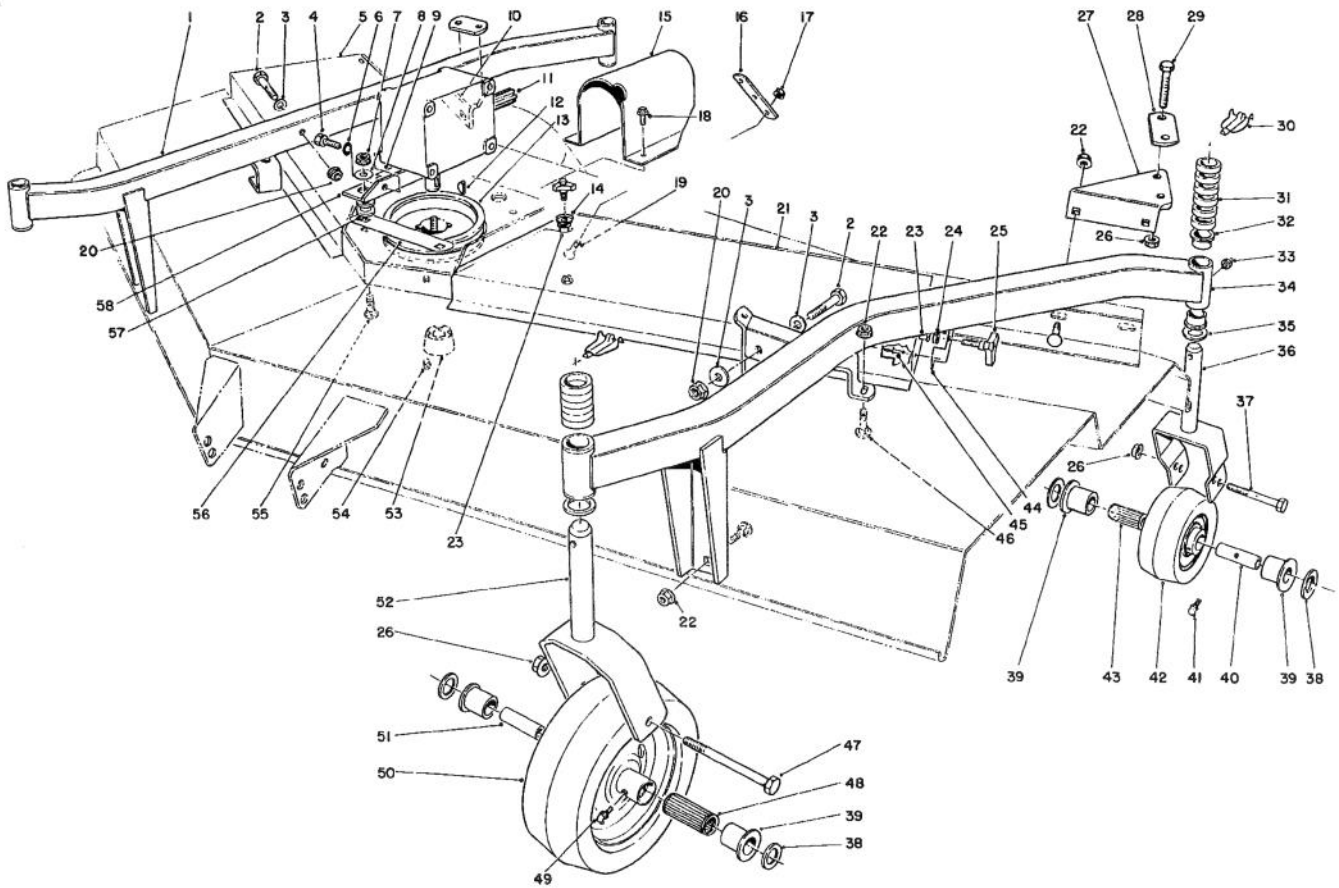


T-0441

## CUTTING UNIT MODEL NO. 30722

Ref. No.	Part No.	Description	No. Used	Ref. No.	Part No.	Description	No. Used
1	3234-11	Screw - Hex. Hd. Flange	4	25	43-8480	Decal - Danger	2
2	26-1840	Idler Pulley	3	26	51-1470	Deflector	1
3	67-5360	Decal - Danger	2	27	51-1550	Spring	2
4	26-1760	Pulley	2	28	302-52	Grease Fitting	3
5	14-0289	Cutting Deck (Incl. Ref. #23 page 47)	1	29	26-1820	Screw - Cap, Hex. Hd.	3
6	3231-29	Bolt - Carriage	2	30	26-1990	Washer - Belleville	3
7	26-1860	Spacer - Idler Pulley	2	31	29-5530	Blade	3
8	32128-21	Nut - Flange	33	32	26-1690	Spindle -Outer	2
9	3231-27	Bolt - Carriage	6	33	3256-24	Washer	A/R
10	26-1870	Idler Mount L.H.	1	34	60-9700	Spindle Housing	3
11	3290-357	Nut - Flange	6	35	325-17	Screw - Cap, Hex. Hd.	2
12	26-1850	Stud - Idler	1	36	26-1880	Spacer - Idler Mount	1
13	3234-1	Screw - Hex. Hd. Flange	24	37	323-12	Screw - Cap, Hex. Hd.	1
14	21-0890	V-Belt	3	38	3253-21	Washer - Lock	1
15	3296-49	Nut	3	39	32128-25	Nut - Lock, Flange	2
16	3-8514	Washer	3	40	36-1740	Roller - Deck	2
17	26-9100	Pulley L.H.	1	41	68-6840	Shaft - Roller	1
18	253-138	Oil Seal	9	42	68-6710	Roller - Deck	1
19	49-8320	Bearing & Spacer Assy. (Matched Set)	3	43	62-4480	Rod - Roller	2
20	66-1340	Decal - Danger	2	44	57-0280	Decal - 72"	1
21	51-1530	Hinge Bracket	2	45	322-4	Screw - Cap. Hex Hd.	2
22	32128-23	Nut - Lock, Flange	2	46	26-1790	Spacer R.H. Spindle	1
23	68-7280	Decal - Blade Bolt Torque	1	47	26-1680	Spindle Ctr.	1
24	66-6380	Decal - Deflector Missing	1	*	23-2410	Blade - High Sail (Opt.)	3

\*Not Illustrated

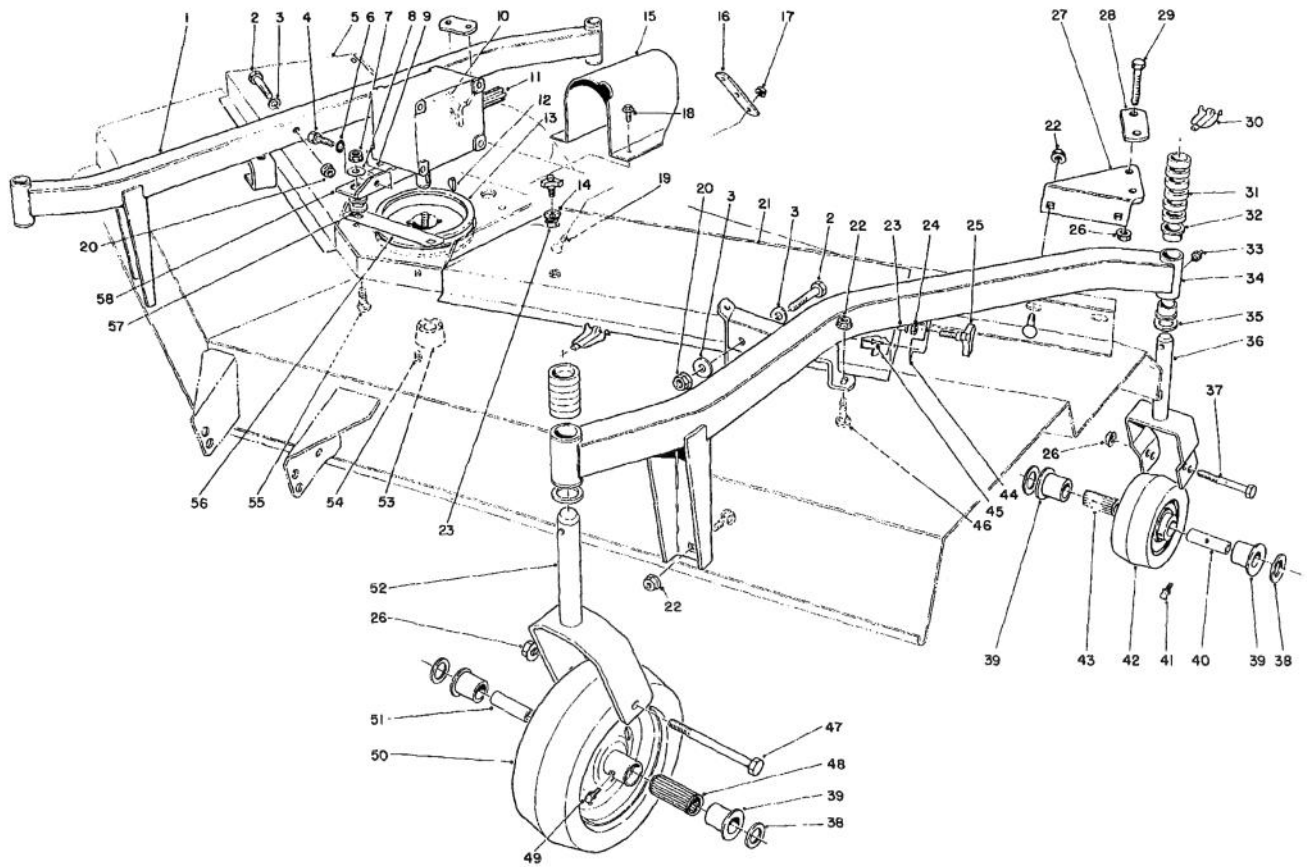


T-0442

## CUTTING UNIT MODEL NO. 30722 (Continued)

Ref. No.	Part No.	Description	No. Used	Ref. No.	Part No.	Description	No. Used
1	26-1490	Caster Arm R.H. (Inc. Ref. #32)	1	24	3296-59	Nut - Lock	4
2	324-12	Screw - Cap, Hex Hd.	4	25	27-4570	Knob	4
3	66-6480	Washer - Flat	4	26	32128-23	Nut - Lock, Flange	8
4	323-4	Screw - Cap, Hex Hd.	4	27	39-7450	Bracket - Clamp	1
5	14-0809	Cover - Deck R.H. (Incl. Ref. #24, 25, 44-45)	1	28	39-3330	Bar - Caster Clamp	2
6	3253-21	Washer - Lock	4	29	325-14	Screw - Cap, Hex Hd.	4
7	32128-21	Nut - Flange	4	30	3290-384	Pin - Lynch	4
8	63-8410	Washer	4	31	63-0070	Spacer - 1/2	24
9	70-2560	Decal - Lube	1	32	28-9290	Bushing - Special	8
10	39-3340	Bracket - Clamp	1	33	302-5	Fitting - Grease	4
11	68-6810	Gear Case Assembly	1	34	26-1430	Caster Arm (Incl. Ref. #32)	1
12	3257-5	Key - Woodruff	1	35	3-6781	Washer	4
13	26-1400	Pulley - Deck	1	36	75-9680	Fork - Caster, Rear	2
14	66-6310	Washer - Cup	2	37	325-18	Screw - Cap, Hex Hd.	2
15	63-1970	Shroud - Universal	1	38	3256-6	Washer - Flat	8
16	21-3770	Strap - Lift	1	39	62-5580	Bushing	8
17	3290-357	Nut - Flange	4	40	63-1770	Spanner - Rear	2
18	32104-82	Screw - Cap, Self-Tapping	2	41	302-11	Fitting - Grease	2
19	3231-27	Bolt - Carriage	2	42	63-8400	Wheel - Caster Rear (Incl. Ref. #39, 41 & 43)	2
20	32128-42	Nut - Flange	4	43	63-8580	Bearing - Roller	2
21	14-0819	Cover - Deck L.H. (Incl. Ref. #24, 25, 44-45)	1	44	66-1260	Bracket - Knob	2
22	32128-49	Nut - Flange	12	45	3269-5	Rivet - Pop	4
†23	3290-469	Nut - Grip	4	46	3233-2	Bolt - Carriage	12
				47	325-22	Screw - Cap, Hex Hd.	2

†Special tool required to install.



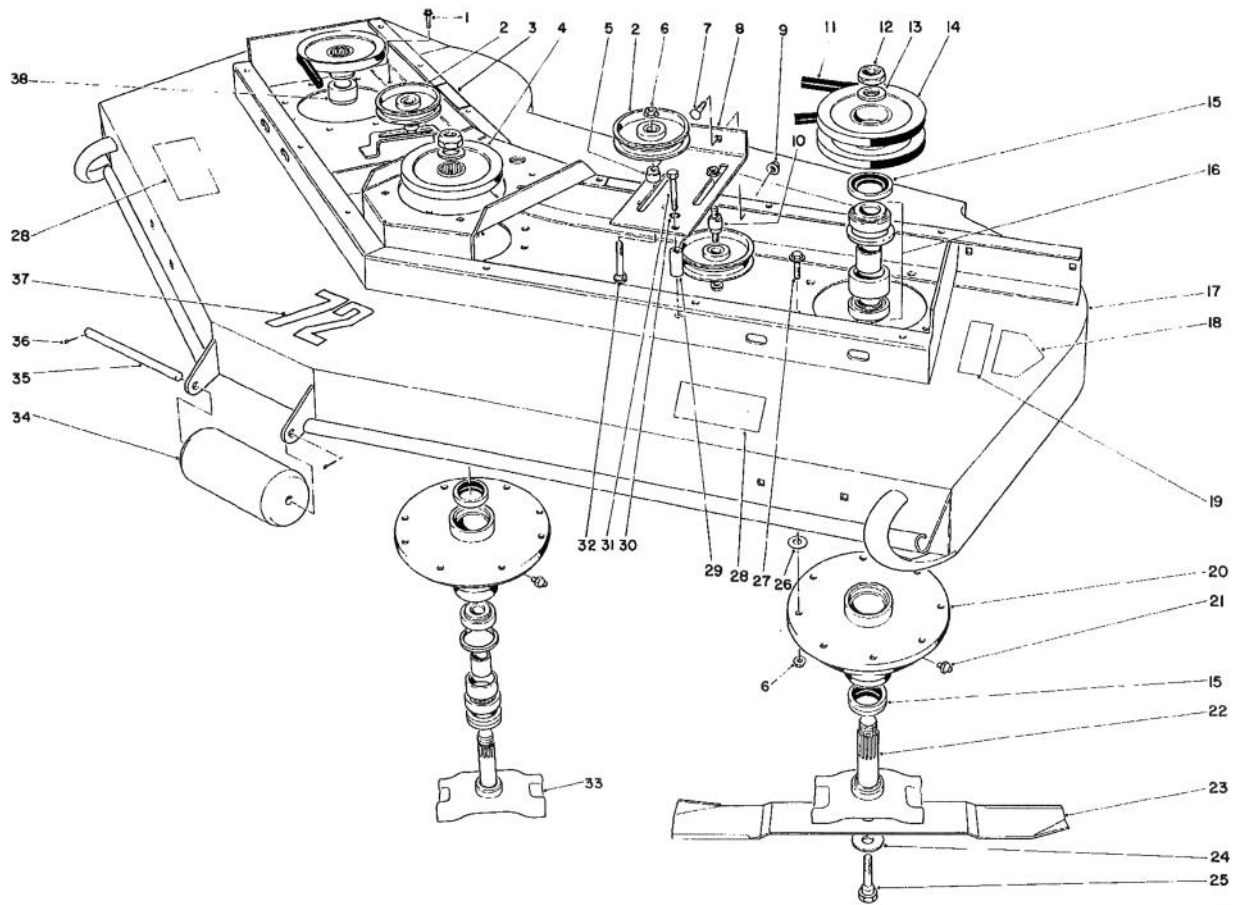
T-0442

## CUTTING UNIT MODEL NO. 30722 (Continued)

Ref. No.	Part No.	Description	No. Used	Ref. No.	Part No.	Description	No. Used
48	62-5570	Bearing - Roller	2	54	3247-4	Screw - Set	2
49	302-40	Fitting - Grease	2	55	3231-26	Bolt - Carriage	4
50	62-4330	Wheel - Caster - Front (Incl. Ref. #39, 48 & 49)	2	56	68-9890	Cover - Gear Box, Front	1
51	62-4340	Spanner - Front	2	57	63-9750	Mount - Isolation	4
52	26-1530	Fork - Caster, Front	2	58	68-8560	Bracket - Gear Box	2
53	23-1640	Bushing -TaperLock (Incl. Ref. #54)	1	*	12-1509	Pneumatic Tire & Wheel (Optional)	2

\*Not Illustrated





T-0443

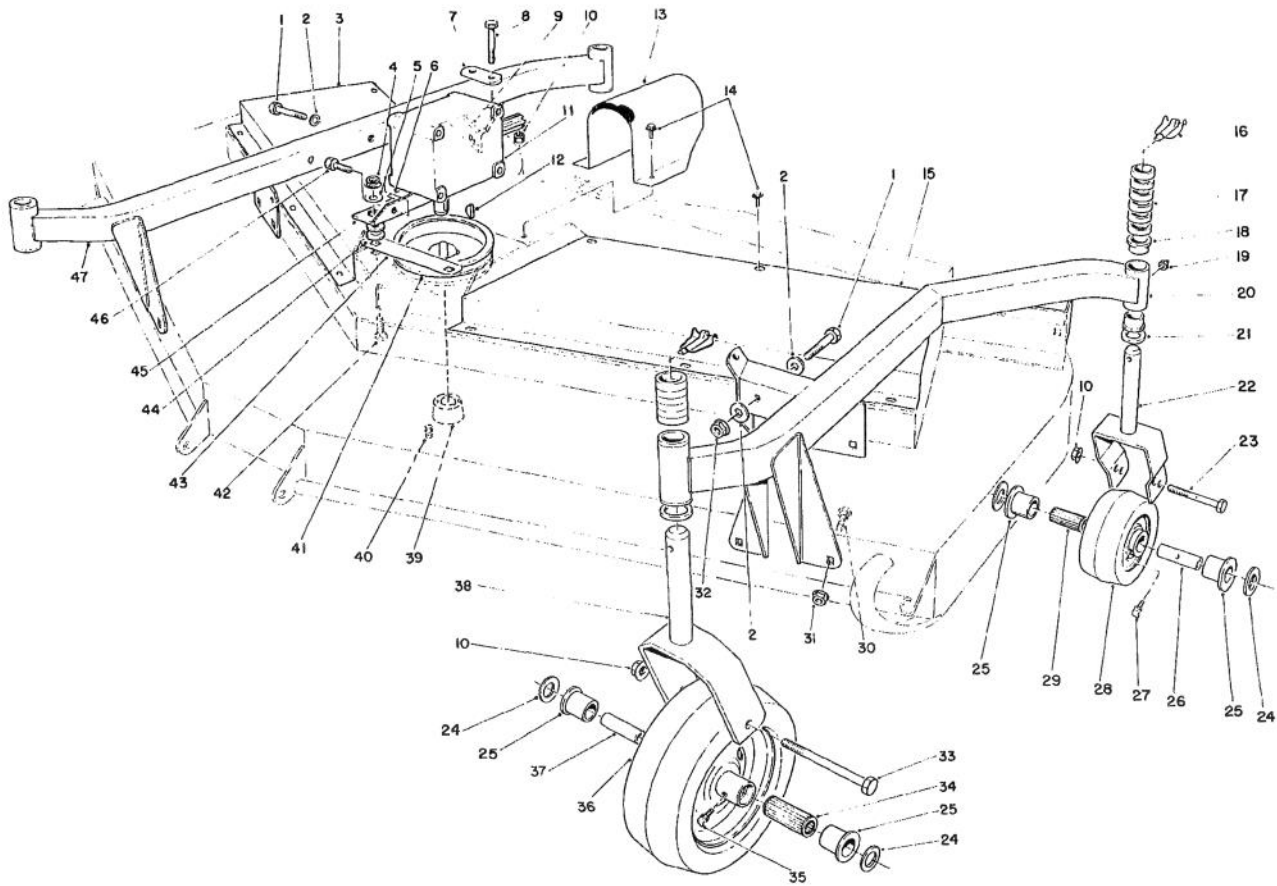
## CUTTING UNIT MODEL NO. 30710

Ref. No.	Part No.	Description	No. Used
1	3234-11	Screw - Hex. Hd. Flange	4
2	26-1840	Idler Pulley	3
3	67-5360	Decal - Shield Missing	2
4	26-1760	Pulley	2
5	26-1860	Spacer - Idler Pulley	2
6	32128-21	Nut - Flange	28
7	3231-22	Bolt - Carriage	2
8	26-1870	Idler Mount L.H.	1
9	3290-357	Nut - Flange	2
10	26-1850	Stud - Idler	1
11	21-0890	V-Belt	3
12	3296-49	Nut	3
13	3-8514	Washer	3
14	26-9100	Pulley L.H.	1
15	253-138	Oil Seal	9
16	49-8320	Bearing & Spacer Assy. (Matched Set)	3
17	38-9200	Cutter Deck	1
18	43-8480	Decal - Danger	2
19	68-7280	Decal - Blade Bolt Torque	1
20	60-9700	Spindle Housing	3

Ref. No.	Part No.	Description	No. Used
21	302-52	Grease Fitting	3
22	26-1690	Spindle - Outer	2
23	29-5530	Blade	3
24	26-1990	Washer - Belleville	3
25	26-1820	Screw - Cap, Hex. Hd.	3
26	3256-24	Washer	A/R
27	3234-1	Screw - Hex. Hd. Flange	20
28	66-1340	Decal - Danger	2
29	26-1880	Spacer - Idler Mount	1
30	3253-21	Washer - Lock	1
31	323-12	Screw - Cap, Hex. Hd.	1
32	3231-29	Bolt - Carriage	2
33	26-1680	Spindle Center	1
34	31-0750	Roller	1
35	32-9610	Roller Shaft	1
36	3272-11	Cotter Pin	2
37	57-0280	Decal - 72"	1
38	26-1790	Spacer - R.H. Spindle	1
*	23-2410	Blade - High Lift (Optional)	3

\*Not Illustrated



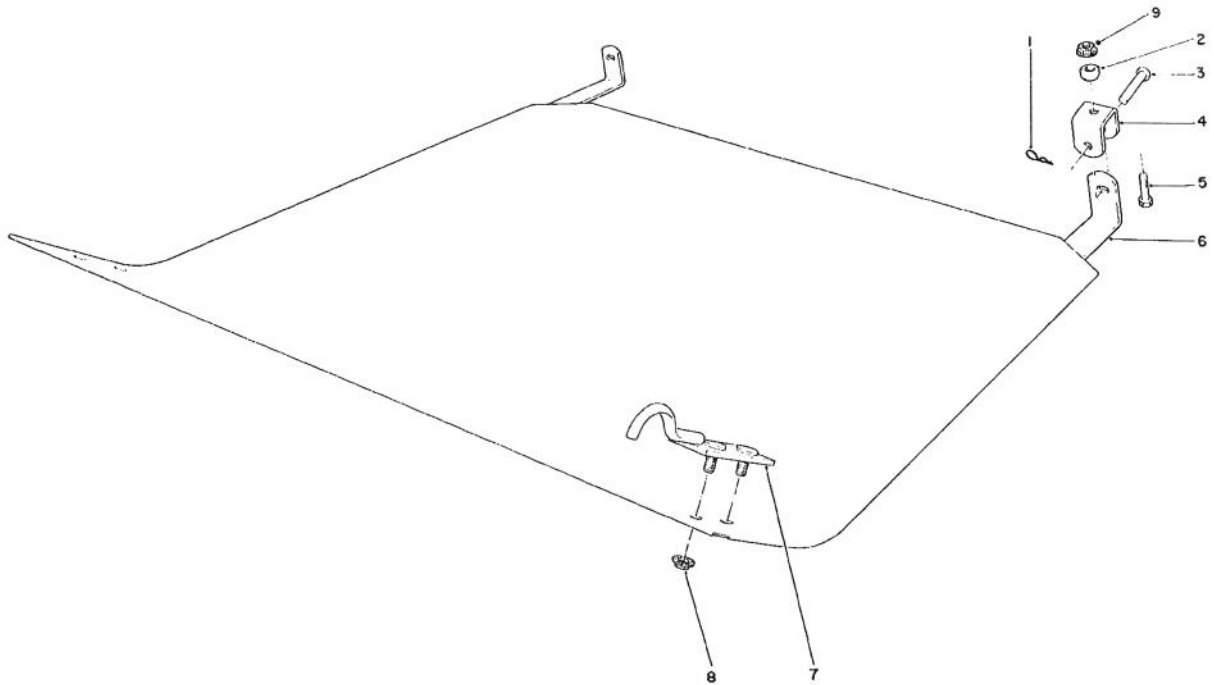


T-0444

## CUTTING UNIT MODEL NO. 30710 (Continued)

Ref. No.	Part No.	Description	No. Used	Ref. No.	Part No.	Description	No. Used
1	324-12	Screw - Cap, Hex. Hd.	4	27	302-11	Fitting - Grease	4
2	66-6480	Washer - Flat	4	28	63-8400	Wheel - Castor - Rear (Incl. Ref. #25, 27 & 29)	2
3	26-1890	Cover R.H. - Deck	1	29	63-8580	Bearing - Roller	2
4	32128-21	Nut - Lock, Flange	4	30	3233-2	Bolt - Carriage	12
5	63-8410	Washer	4	31	32128-49	Nut - Flange	12
6	70-2560	Decal - Lube	1	32	32128-42	Nut - Flange	4
7	39-3330	Bar - Clamp Castor Arm	1	33	325-22	Screw - Cap, Hex Hd.	2
8	325-14	Screw - Cap, Hex. Hd.	2	34	62-5570	Bearing - Roller	2
9	39-3340	Bracket - Clamp	1	35	302-40	Fitting - Grease	2
10	32128-23	Nut - Lock, Flange	6	36	62-4330	Wheel - Castor - Front (Incl. Ref. #25, 35 & 36)	2
11	68-6810	Gear Box Assembly	1	37	62-4340	Spanner - Front	2
12	3257-5	Key - Woodruff	1	38	26-1530	Fork - Castor	2
13	63-1970	Shroud - Universal	1	39	23-1640	Bushing - Taper	1
14	32104-82	Screw - Cap, Self Tapping	14	40	3247-4	Screw - Set	2
15	26-1900	Cover L.H. - Deck	1	41	26-1400	Pulley - Deck	1
16	3290-384	Pin - Lynch - Safety Type	4	42	3231-26	Bolt - Carriage	4
17	63-0070	Spacer 1/2"	24	43	68-9890	Cover - Gear Box - Front	1
18	28-9290	Bushing - Special	8	44	63-9750	Mount - Isolation	4
19	302-5	Fitting - Grease	4	45	68-8560	Bracket - Gearbox	2
20	38-9420	Arm - Castor L.H. (Incl. Ref. #18)	1	46	323-4	Screw - Cap, Hex Hd.	4
21	3-6781	Washer	4	47	38-9370	Arm - Castor - R.H. (Incl. Ref. #18)	1
22	75-9680	Fork - Castor, Rear	2	*	12-1509	Pneumatic Tire & Wheel Assy. (Optional)	1
23	325-18	Screw - Cap, Hex Hd.	2				
24	3256-6	Washer - Flat	8				
25	62-5580	Bushing	8				
26	63-1770	Spanner - Rear	2				

\*Not Illustrated



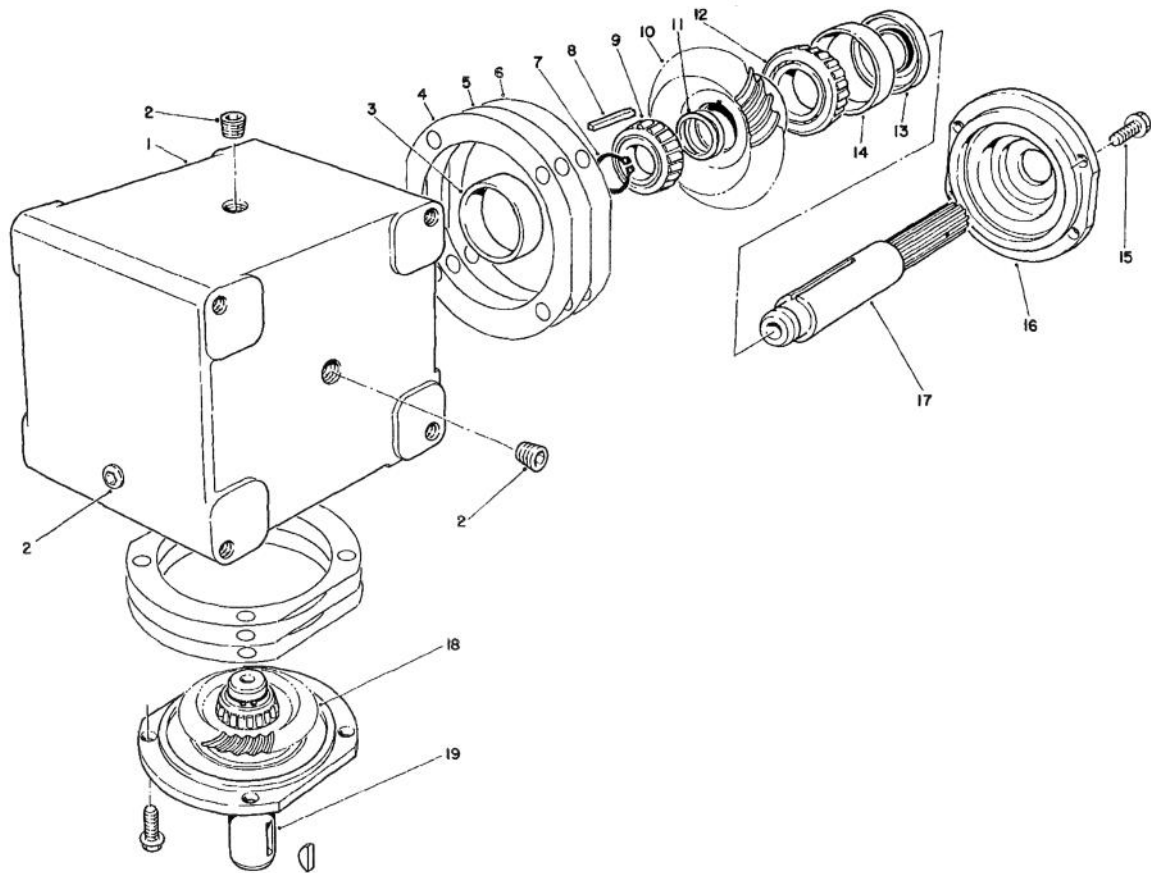
T-0445

### CUTTING UNIT MODEL NO. 30710 (Continued)

Ref. No.	Part No.	Description	No. Used
1	3290-322	Hair Pin Cotter	2
†2	46-1600	Spacer	2
3	283-23	Clevis Pin	2
4	39-1470	Hanger - Belly Shield	2
5	323-7	Screw - Cap, Hex. Hd.	2

Ref. No.	Part No.	Description	No. Used
6	39-1410	Shield - Belly	1
7	39-1440	Hook - Shield, Belly	2
8	32128-20	Nut - Flange	4
†9	32128-21	Nut - Flange	2

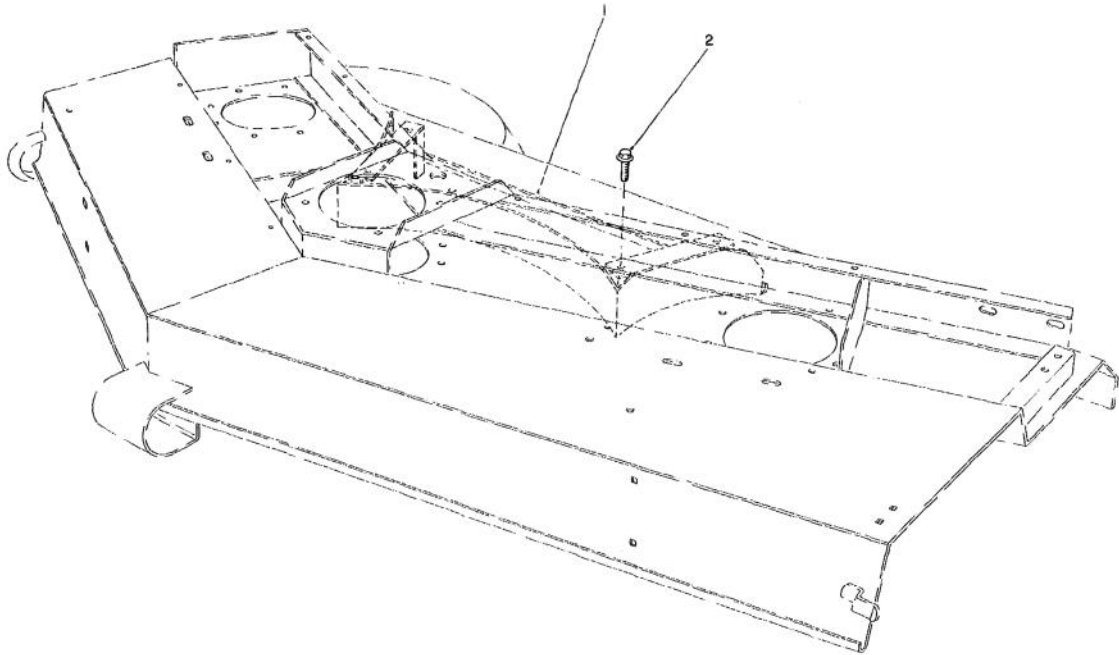
†Use with diesel unit ONLY



T-0977

## GEAR BOX ASSEMBLY NO. 68-6810

Ref. No.	Part No.	Description	No. Used	Ref. No.	Part No.	Description	No. Used
1	68-7030	Housing	1	11	72-9370	Shim (.020 in.)	4
2	62-3490	Plug - Pipe (Solid)	4	12	62-3330	Cone - Gear	1
3	62-3360	Cup - Bearing	2	13	62-3400	Seal	2
4	62-3420	Gasket (.015 in.)	A/R	14	62-3340	Cup - Bearing	2
5	62-3430	Gasket (.005 in.)	A/R	15	62-3310	Screw - Cap, Sems	8
6	62-3440	Gasket (.003 in.)	A/R	16	62-3410	Cap	2
7	68-7070	Ring - Retaining	2	17	68-7040	Shaft	1
8	62-3380	Key	2	18	68-7060	Gear	1
9	62-3370	Cone - Bearing	2	19	68-7050	Shaft	1
10	68-7080	Gear	1				

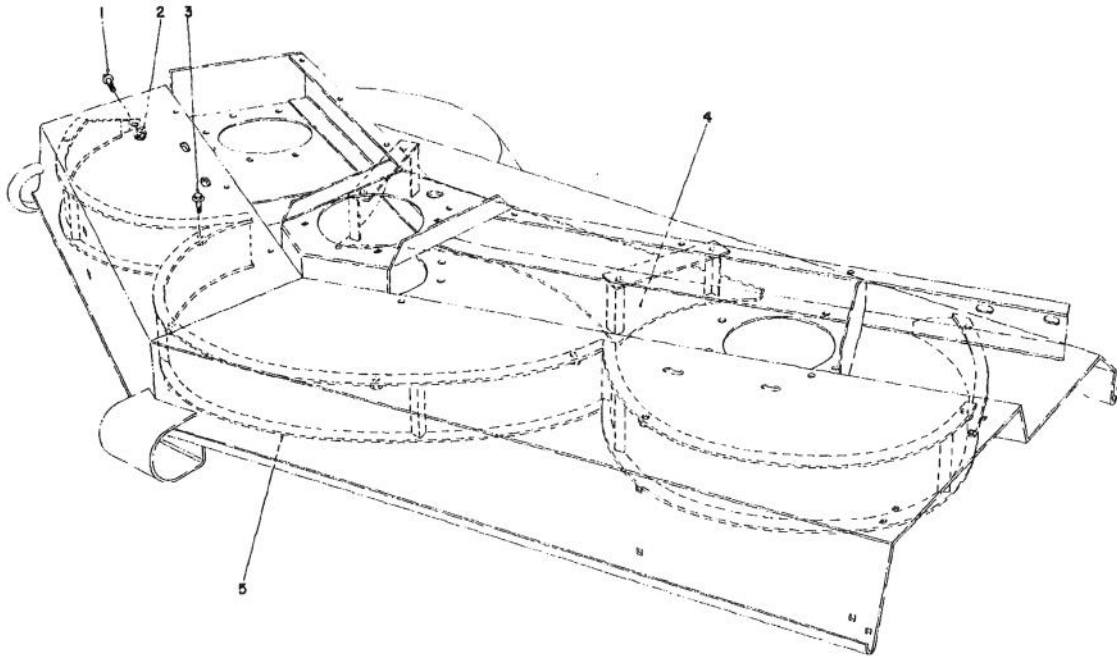


T-0446

**REAR BAFFLE KIT NO. 51-1460 (Optional)  
(For Cutting Unit Model No. 30721)**

Ref. No.	Part No.	Description	No. Used
1		Rear Baffle	1

Ref. No.	Part No.	Description	No. Used
2	3234-1	Screw -Hex. Hd. Flange	4



T-0447

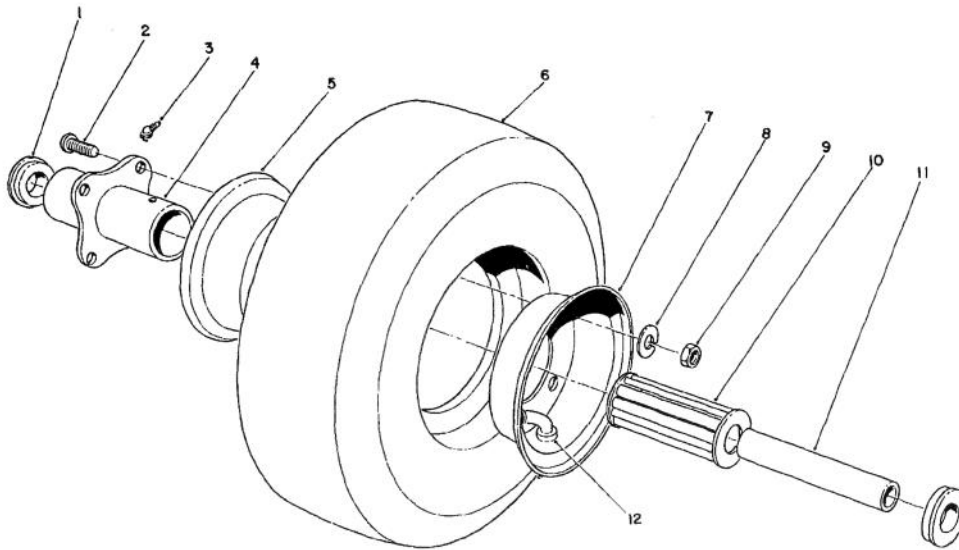
**MULCHER KIT MODEL NO. 30732 (Optional)**  
**(For Cutting Unit Model No. 30721)**  
**MULCHER KIT MODEL NO. 30733 (Optional)**  
**(For Cutting Unit Model No. 30722)**

Ref. No.	Part No.	Description	No. Used
1	3234-11	Screw - Hex. Hd. Flange	1
2	32128-21	Nut - Flange	13
3	3234-1	Screw - Hex. Hd. Flange	12

Ref. No.	Part No.	Description	No. Used
4	23-4190	Bottom Rear Shield (Model 30732 only)	1
*	68-6740	Bottom Rear Shield (Model 30733 only)	1
5	27-5430	Mulcher Screen	1

\*Not Illustrated

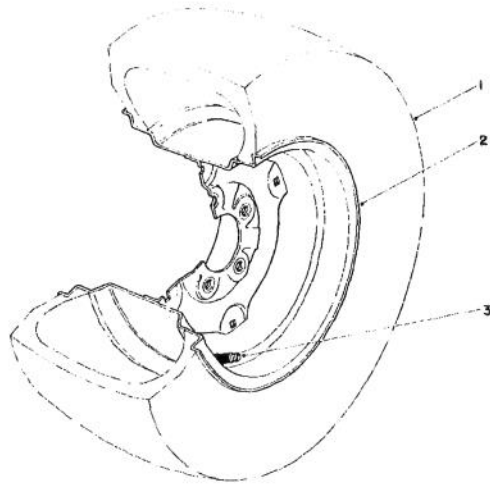
Note: Will not fit with Cutting Unit Model No. 30710.



T-0448

## CUTTING UNIT PNEUMATIC TIRE & WHEEL ASSEMBLY NO. 12-1509 (Optional)

Ref. No.	Part No.	Description	No. Used	Ref. No.	Part No.	Description	No. Used
1	54-8930	Retainer	2	8	3253-4	Washer - Lock	4
2	54-8890	Bolt - Wheel	4	9	3217-6	Nut - Hex.	4
3	302-10	Fitting - Grease	1	10	54-8940	Bearing - Roller (Open Cage)	1
4	54-8920	Hub - Centered	1	11	55-7080	Bushing - Spanner	1
5	54-8910	Wheel Half - Female	1	12	54-8950	Tube w/Valve	1
6	54-8960	Tire	1				
7	54-8900	Wheel Half - Male	1				



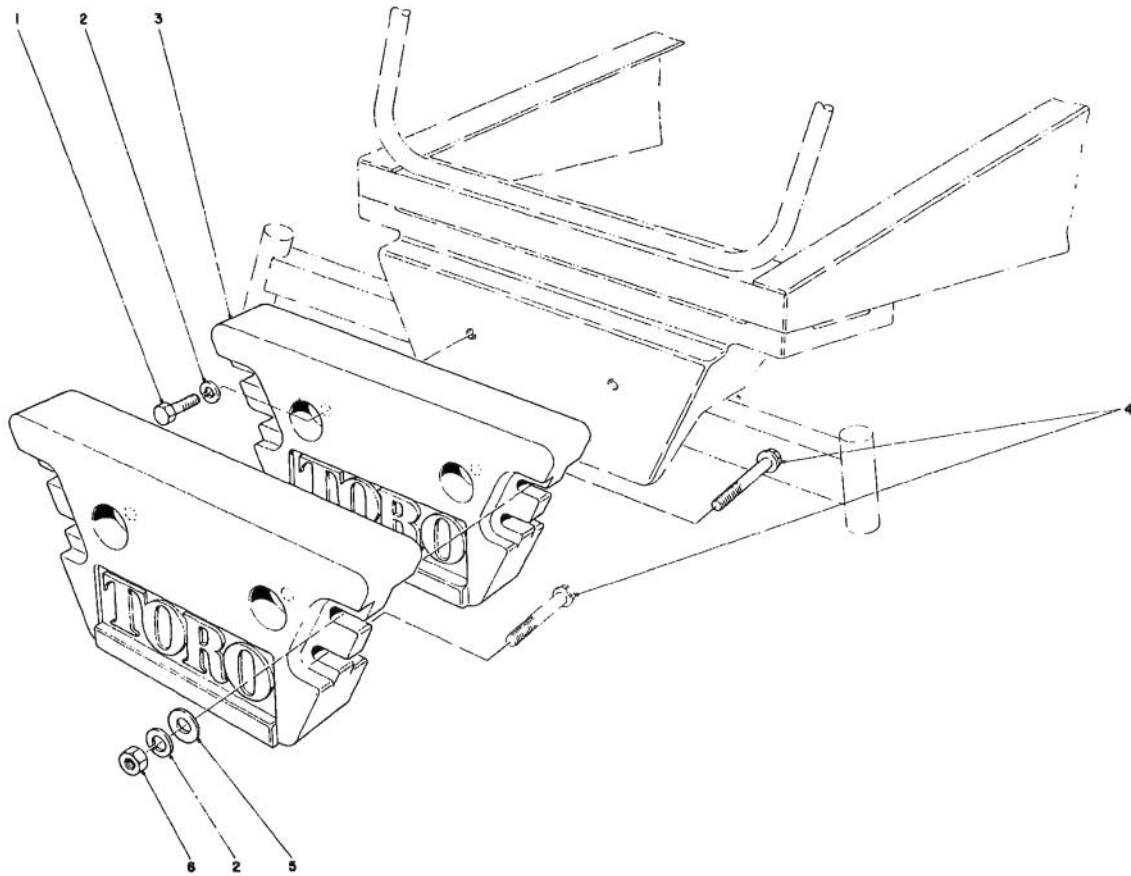
T-0449

## 23 x 10.5 x 12 TIRE & WHEEL ASSEMBLY NO. 62-7020 (Optional)

Ref. No.	Part No.	Description	No. Used	Ref. No.	Part No.	Description	No. Used
1	231-95	Tire	1	3	232-27	Valve Stem	1
2	217-116	Rim	1				

Note: Will not fit with Cutting Unit Model No. 30710.



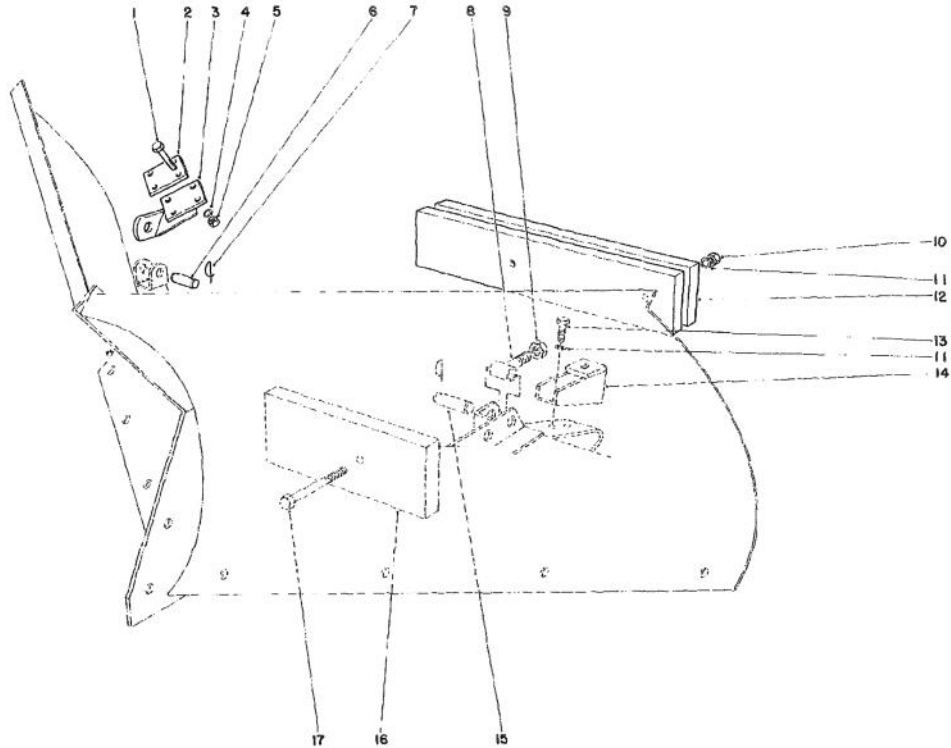


T-0427

## REAR WEIGHT KIT NO. 24-5780 (Optional)

Ref. No.	Part No.	Description	No. Used
1	325-6	Screw - Cap, Hex. Hd.	2
2	3253-7	Washer - Lock	6
3	24-5790	Rear Weight	2

Ref. No.	Part No.	Description	No. Used
4	325-14	Screw - Cap, Hex. Hd.	4
5	3256-26	Washer - Flat	8
6	3217-9	Nut - Hex.	4

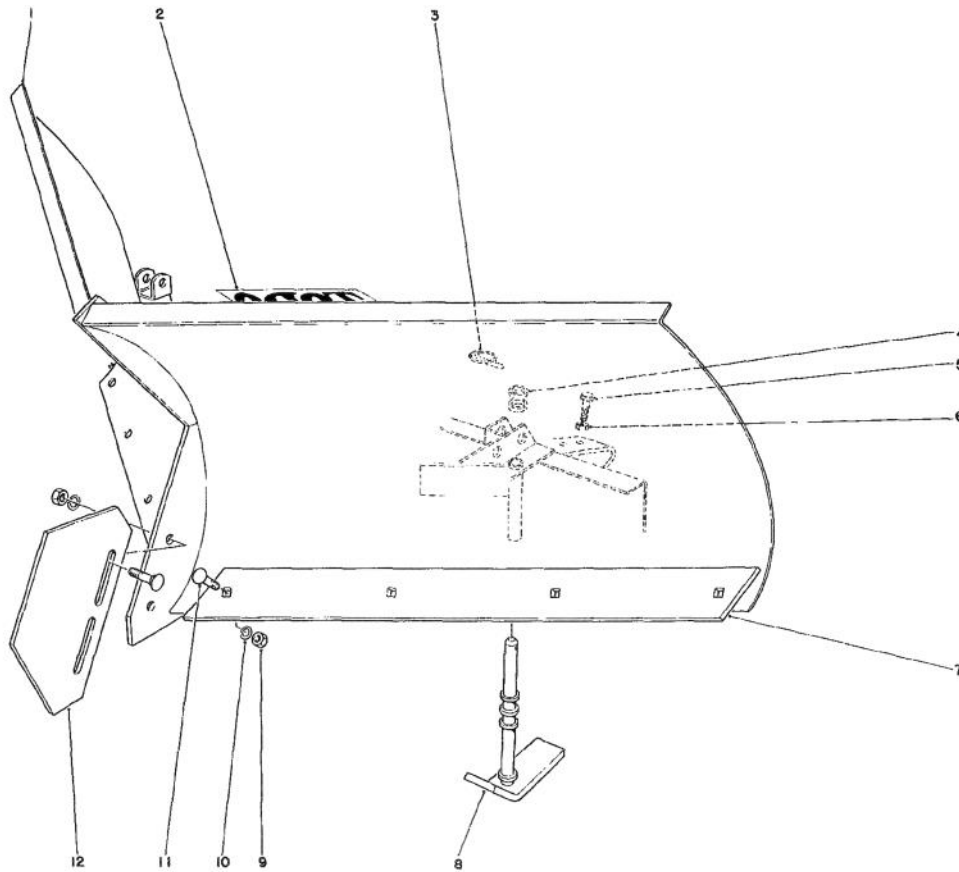


T-0451

## V-PLOW INSTALLATION KIT MODEL NO. 30757 (Optional)

Ref. No.	Part No.	Description	No. Used	Ref. No.	Part No.	Description	No. Used
1	323-14	Screw - Cap, Hex. Hd.	4	11	3253-7	Washer - Lock	4
2	24-2690	Plate - Clamp	1	12	24-2660	Outside Weight	2
3	24-2680	Push Arm Bracket	1	13	325-4	Screw - Cap, Hex. Hd.	2
4	3253-21	Washer - Lock	4	14	24-2630	Stop	1
5	3217-7	Nut - Hex.	4	15	25-1350	Pin	1
6	5-3505	Pin	1	16	24-2670	Inside Weight	2
7	5-3126	Spring Pin	4	17	325-22	Screw - Cap, Hex. Hd.	2
8	23-9930	Push Pin	1	*	11-0390	Chains - Tire (1 Pair)	1
9	21-3000	Nut - Jam	1				
10	3217-9	Nut - Hex.	2				

\*Not Illustrated

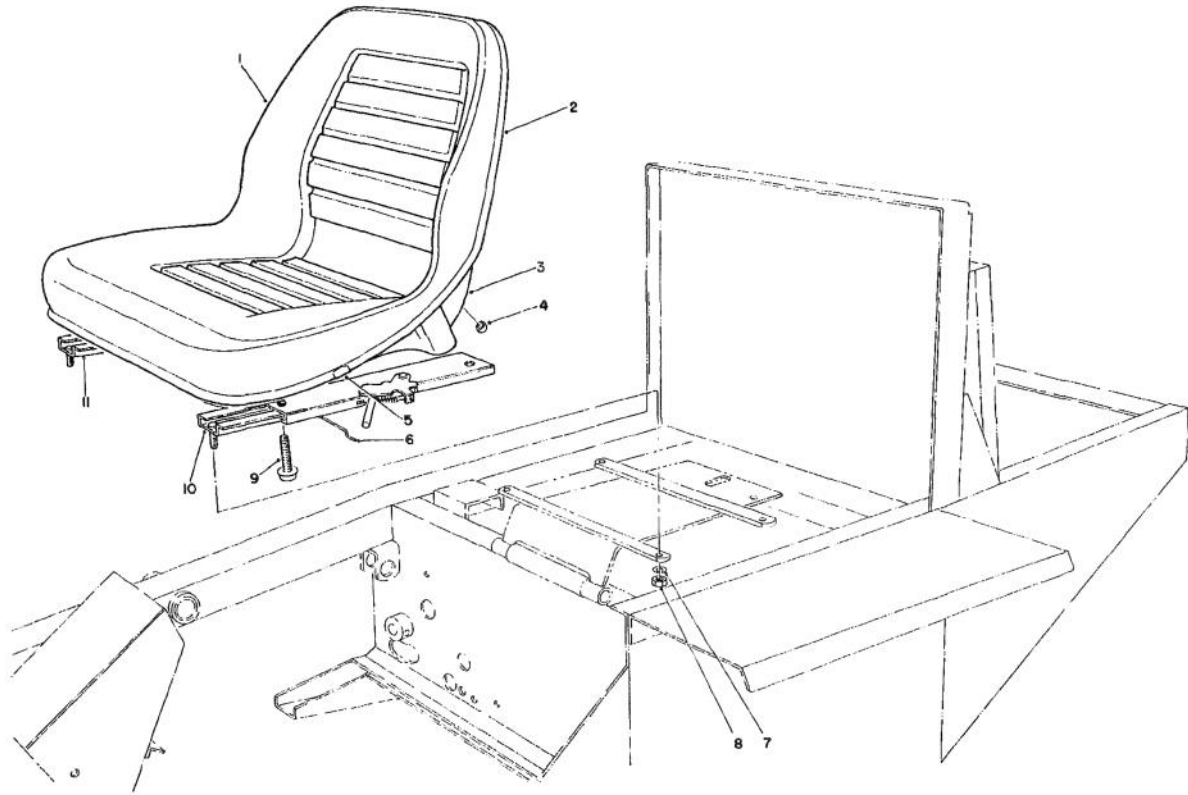


T-0452

### V-PLOW MODEL NO. 30750 (Optional)

Ref. No.	Part No.	Description	No. Used
1	23-9960	V-Plow	1
2	66-6140	Decal	1
3	3290-243	Lynch Pin	2
4	20-4370	Spacer Tubes	10
5	325-6	Screw - Cap, Hex. Hd.	1
6	3218-5	Nut - Jam	1

Ref. No.	Part No.	Description	No. Used
7	24-5570	Scraper Blade	2
8	24-5540	Skid	2
9	3217-9	Nut - Hex.	10
10	3253-7	Washer - Lock	10
11	3233-2	Bolt - Carriage	10
12	24-5530	Nose Skid	1

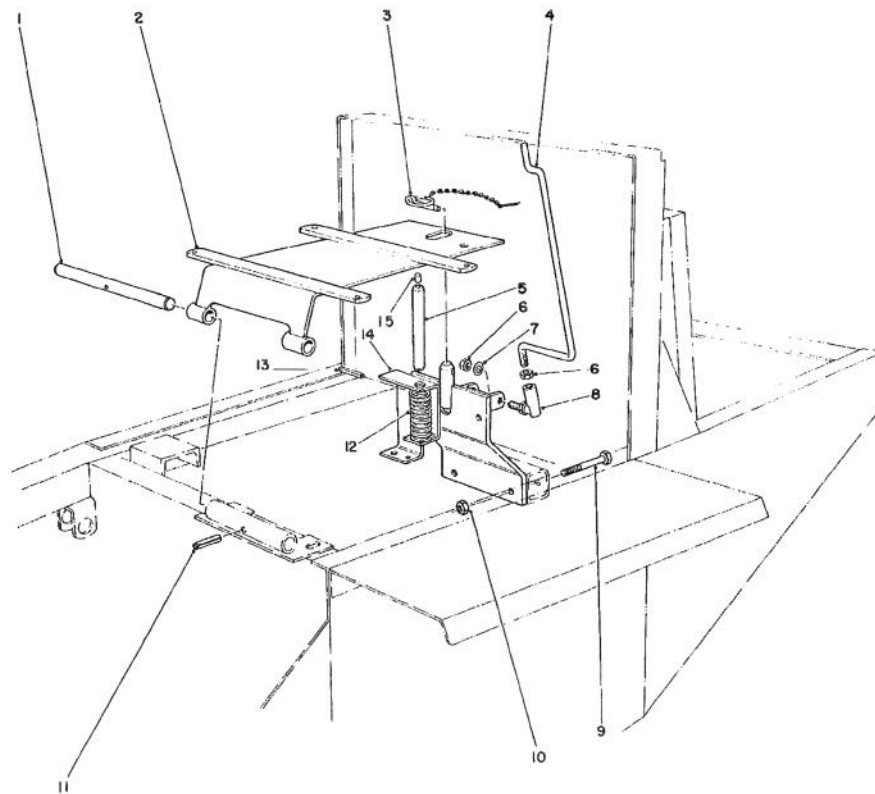


T-0450

## STANDARD SEAT KIT MODEL NO. 30770

Ref. No.	Part No.	Description	No. Used	Ref. No.	Part No.	Description	No. Used
1		Cushion	1	8	3217-6	Nut - Hex.	4
2		Trim	1	9	3234-5	Screw - Cap, Hex. Hd. Fl.	4
3		Base	1	10	51-0790	Adjuster L.H.	1
4		Grommet	1	11	52-4880	Adjuster - R.H.	1
5		Clip	1	*	66-5400	Seat Assembly (Incl. Ref. #1-5)	1
6	52-4890	Rod Connecting	1				
7	3253-4	Washer - Lock	4				

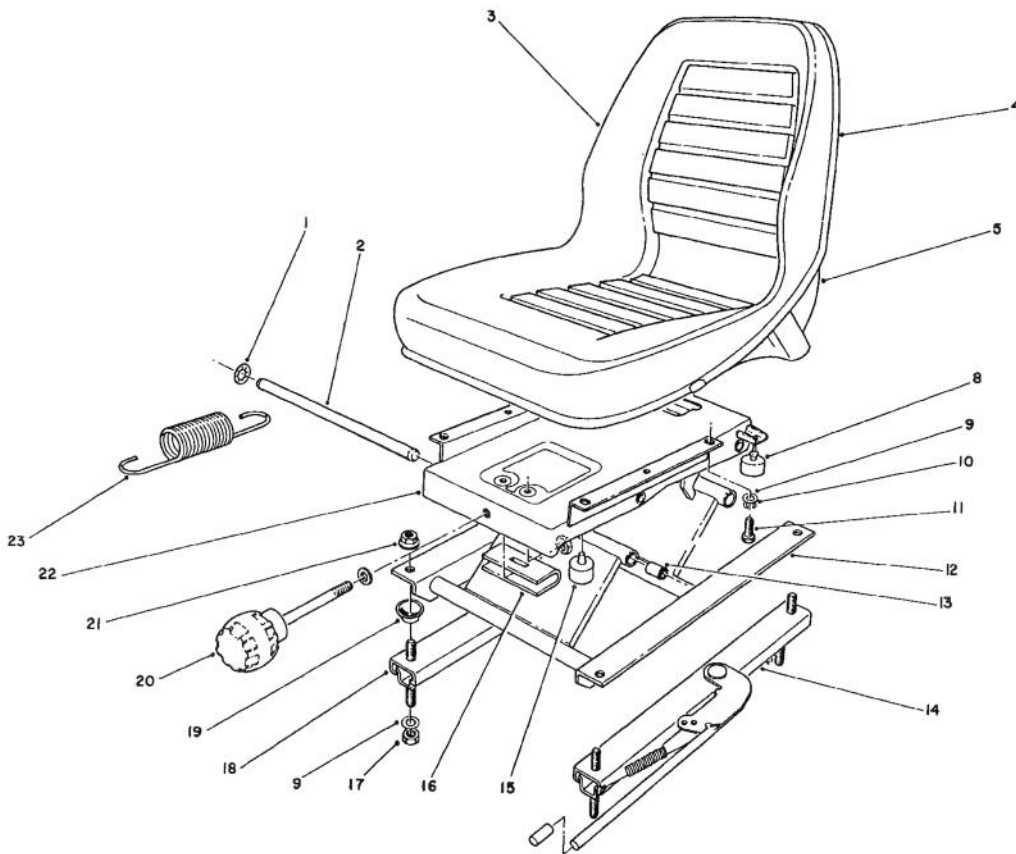
\*Not Illustrated



T-0453

## STANDARD SEAT KIT MODEL NO. 30770 (Continued)

Ref. No.	Part No.	Description	No. Used	Ref. No.	Part No.	Description	No. Used
1	27-4720	Shaft	1	9	323-14	Screw - Cap, Hex. Hd.	2
2	36-7550	Seat Support	1	10	5-0838	Washer - Flat	3
3	283-76	Lynch Pin	1	11	32128-21	Nut	2
4	37-9580	Seat Prop	1	12	32121-4	Spring Pin	1
5	27-9870	Pin - Seat Switch	1	13	28-0570	Spring -Compression	1
6	3220-2	Nut - Jam	2	14	32121-6	Spring Pin	1
7	3253-24	Washer - Lock	1	15	71-4490	Seat Support Bracket	1
8	37-9570	Ball Joint	1	16	28-6180	Pin - Plastic	1



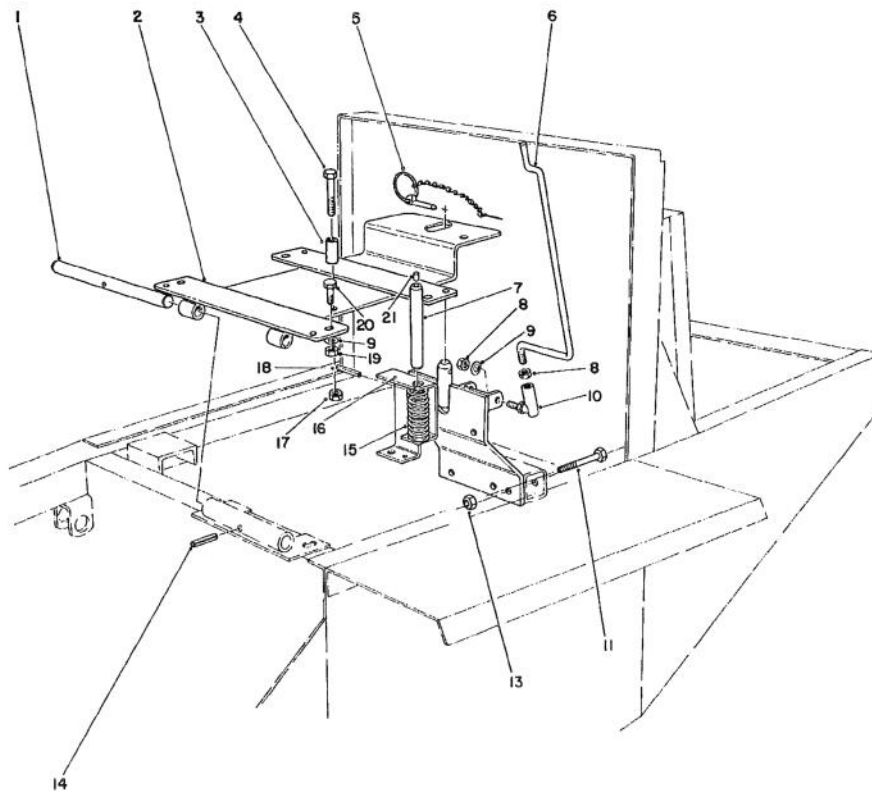
T-0454

## DELUXE SEAT KIT MODEL NO. 30772

Ref. No.	Part No.	Description	No. Used
1	66-8560	Nut - Push	4
2	76-1910	Shaft - Pivot	2
3		Cushion - Seat	1
4		Trim-Seat	1
5		Base-Seat	1
6		Grommet	1
7		Cup	1
8	76-2940	Bumper	2
9	3256-2	Washer - Flat	8
10	3253-4	Washer - Lock	4
11	322-3	Screw - Cap, Hex. Hd.	4
12	66-8610	Frame - Lower	1
13	76-1920	Bearing - Sleeve	4

Ref. No.	Part No.	Description	No. Used
14	66-8510	Adjuster w/Handle	1
15	66-8520	Bumper - Stop	2
16	66-8540	Hanger - Spring	1
17	3296-29	Nut - Lock	4
18	66-8530	Adjuster	1
19	66-9290	Spacer - Suspension	4
20	76-1930	Knob - Adjustment	1
21	32128-25	Nut - Lock, Flange Hd.	4
22	66-8600	Frame - Upper	1
23	76-1940	Spring - Extension	2
*	66-5400	Seat Assembly (Incl. Ref. #3-7)	1

\*Not Illustrated



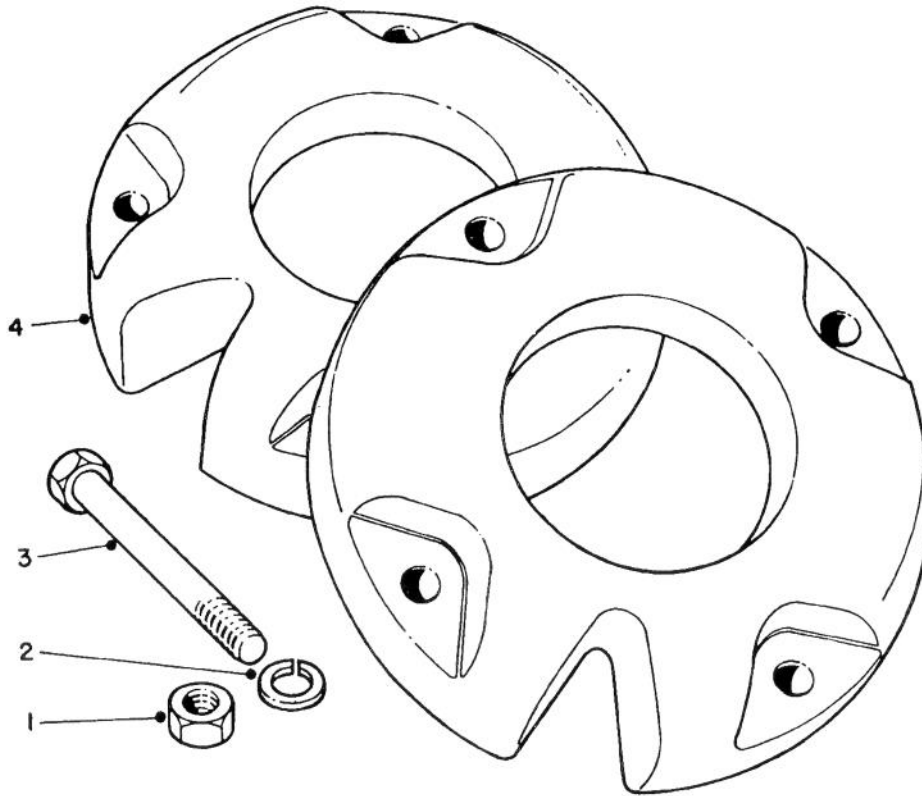
T-0212

## DELUXE SEAT ADAPTER KIT MODEL NO. 30791

Ref. No.	Part No.	Description	No. Used
1	27-4720	Shaft	1
2	67-9860	Support Seat	1
3	67-9210	Spacer	1
4	322-10	Screw - Cap, Hex. Hd.	1
5	283-76	Lynch Pin	1
6	37-9580	Prop - Seat	1
7	27-9870	Pin - Seat Switch	1
8	3220-2	Nut - Jam	2
9	3253-24	Washer - Lock	5
10	37-9570	Ball Joint	1
11	323-14	Screw - Cap, Hex. Hd.	2

Ref. No.	Part No.	Description	No. Used
13	32128-21	Nut	2
14	32121-4	Pin - Spring	1
15	37-9590	Spring - Compression	1
16	71-4490	Bracket - Seat Support	1
17	32146-5	Nut - Flange Hd.	1
18	32121-6	Pin - Spring	1
19	3217-6	Nut	4
20	322-4	Screw - Cap, Hex. Hd.	4
21	28-6180	Pin - Plastic	1
22	5-0838	Washer - Flat	3





T-0457

### WHEEL WEIGHTS NO. 11-0440 (Optional)

Ref. No.	Part No.	Description	No. Used	Ref. No.	Part No.	Description	No. Used
1	3218-5	Nut	8	3	325-14	Screw - Cap, Hex. Hd.	8
2	3253-7	Washer - Lock	8	4	7-2111	Weight - Wheel	2