



53cm Super Recycler[®] Lawn Mower

Model No. 20792 - 270000001 and up.

Parts Catalog

Ordering Replacement Parts

To order replacement parts, please supply the part number, the quantity, and the description of each part desired.

Understanding Reference Numbers

Each Identified part in an illustration has a reference number. The reference number for a part also appears in the parts list, along with other information about the part.

This catalog uses two special reference number formats, one to indicate parts in a service assembly and another to indicate the quantity of a given part in an illustration.

Service Assembly Reference Numbers

Parts in service assemblies have reference numbers in the form a:b. The a represents the reference number of the entire service assembly and the b represents a sequential number unique to each part within the service assembly.

For example, a wheel assembly might be identified by reference number 6, the tire by 6:1, the valve by 6:2, and the wheel by 6:3. When you order the assembly identified by reference number 6, you receive all parts identified by reference numbers 6:1, 6:2, and 6:3. However, you may also order any part individually. Reference numbers of this type appear in illustrations and in part lists.

Reference Numbers Indicating Quantity

In an illustration, if a reference number indicates more than one part, the reference number has the form nX y. The n represents the quantity of the part, the X is the multiplication symbol, and the y represents the reference number.

For example, in an illustration, the reference number 2X 37 means that two of the parts identified by reference number 37 are indicated.

Contents

Description	Page	Description	Page
Housing Assembly 3	Carburetor Assembly Briggs and Stratton 12H802-2040-B1 14
Housing Assembly No. 112-8863 4	Air Cleaner Assembly Briggs and Stratton 12H802-2040-B1 15
Height-of-Cut Assembly 5	Governor Assembly Briggs and Stratton 12H802-2040-B1 16
Rear Wheel and Gear Case Assembly 6	Muffler and Fuel Tank Assembly Briggs and Stratton 12H802-2040-B1 17
Gear Case Assembly No. 108-8140 7	Blower Housing Assembly Briggs and Stratton 12H802-2040-B1 18
Engine Assembly 8	Starter Assembly Briggs and Stratton 12H802- 2040-B1 19
Handle Assembly 9	Gasket Kit Briggs and Stratton 12H802-2040- B1 20
Rear Bag Assembly 10	Carburetor Overhaul Kit Briggs and Stratton 12H802-2040-B1 21
Cylinder Assembly Briggs and Stratton 12H802-2040-B1 11	Attachments and Accessories List 22
Crankshaft Assembly Briggs and Stratton 12H802-2040-B1 12		
Crankcase Assembly Briggs and Stratton 12H802-2040-B1 13		

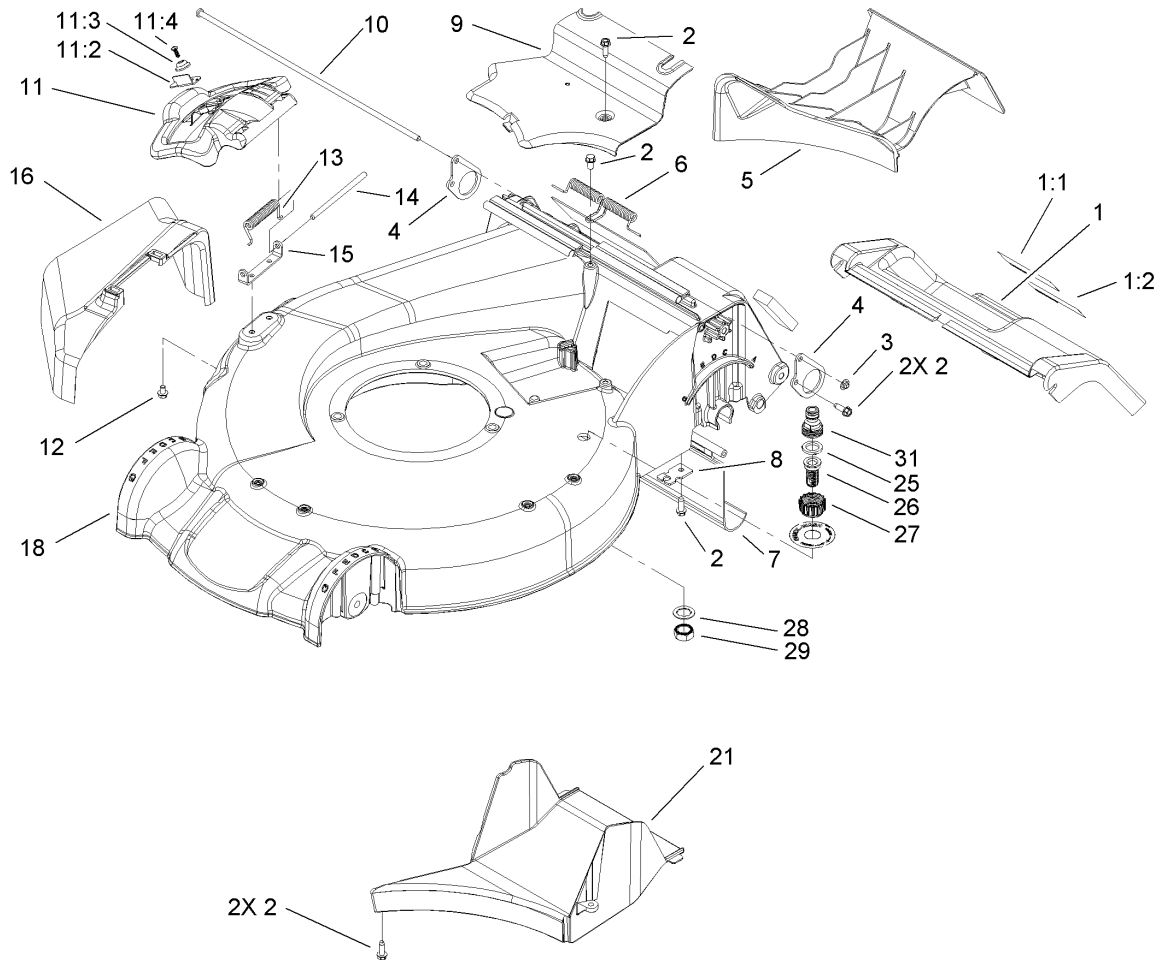
Part Description Abbreviations

Part descriptions in this catalog may include the following abbreviations.

AR. as required	HYD. hydraulic
ASM. assembly	LH. left hand
BBC. blade brake clutch	NI. nylon insert
CARR. carriage	NPTF. national pipe thread fine
DEG. degrees	PFH. phillips flat head
EXT. external	PPH. phillips pan head
FH. flat head	PPHTF. phillips pan head thread forming
GA. gauge	PRH. phillips round head
HD. heavy-duty	PTH. phillips truss head
HF. hex flange	PTO. power-take-off
HH. hex head	RH. right hand
HHF. hex head flange	ROPS. roll-over protection system
HHFTF. hex head flange thread forming	SFH. slotted fillister head
HJ. hex jam	SHH. slotted hex head
HLH. hex lag head	SHWH. slotted hex washer head
HOC. height-of-cut	SPH. slotted pan head
HSBH. hex socket button head	SQH. square head
HSFH. hex socket flat head	SRH. slotted round head
HSH. hex socket head	STD. standard
HWH. hex washer head	TAP. self tapping
HWHTF. hex washer head thread forming	TTH. torx truss head

Footnotes

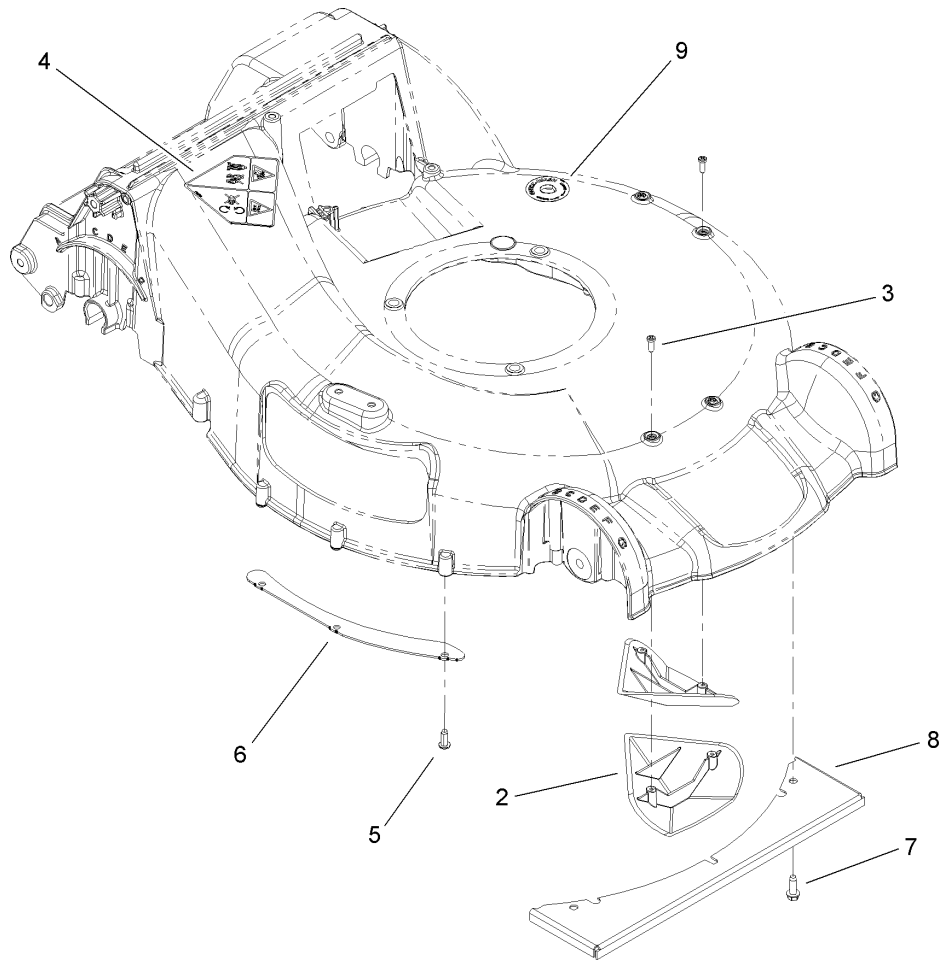
- | | |
|---|--|
| ❶ Not illustrated | ❷ Not serviced separately |
| ❸ Obtain from your local Briggs & Stratton dealer | ❹ Included in Carburetor Overhaul Kit (Ref. No. 121) |
| ❺ Included in Engine Gasket Set (Ref. No. 358) | ❻ Included in Carburetor Gasket Set (Ref. No. 977) |



Housing Assembly

Ref	Part No.	Qty.	Description
1	108-8170	1	Door-Service
1:1	112-8759	1	Decal-Warning, Ce
1:2	104-7908	1	Decal-Warning
2	49-2040	7	Screw-HWHTF
3	3290-337	1	Nut-Speed
4	107-7493	2	Plate-Support, Door
5	107-7490	1	Plug-Mulch
6	105-3032	1	Spring-Door, Rear
7	114-1586	1	Shield-Trailing
8	107-7497	1	Bracket-Cable, Traction
9	107-7494	1	Cover-Belt
10	107-7499	1	Rod-Support, Door
11	107-3717	1	Discharge Door ASM
11:2	107-0795	1	Latch-Door
11:3	107-7456	1	Cap-Door
11:4	107-7461	1	Screw-Plastite
12	99-8445	2	Screw-HWH
13	99-5293	1	Spring-Torsion
14	99-5291	1	Rod-Cover
15	112-6416	1	Bracket-Cover
16	108-3753	1	Chute-Discharge, Side
18	112-8863	1	Housing ASM
21	107-7495	1	Tunnel-Discharge
25	112-6438	1	Washer-Seal, Washout Port

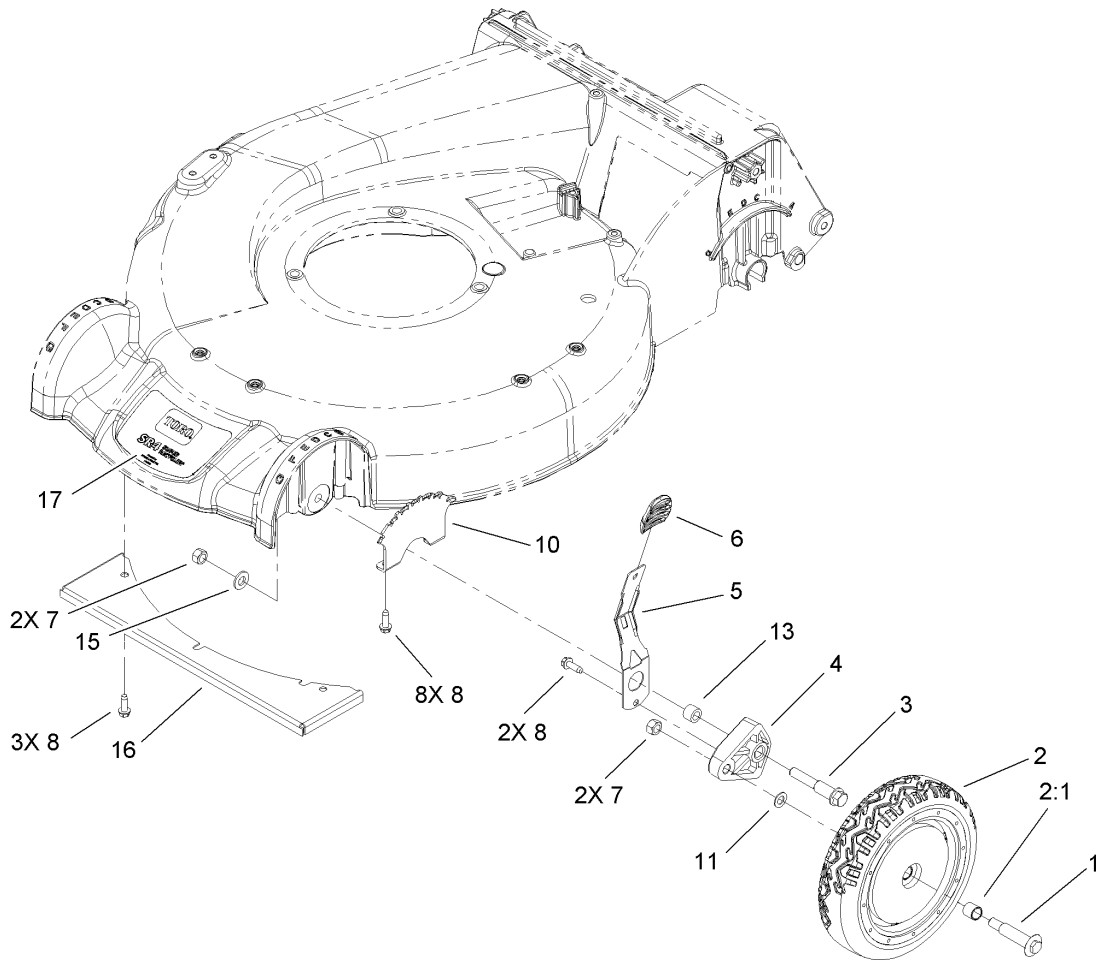
Ref	Part No.	Qty.	Description
26	112-6400	1	Port-Washout
27	112-6401	1	Coupling-Hose, Washout Port
28	3254-5	1	Washer-Tooth
29	3218-6	1	Nut-Jam
31	112-6437	1	Adapter-Quick Connect



Housing Assembly No. 112-8863

Ref	Part No.	Qty.	Description
2	108-3798	2	Kicker-Housing
3	32144-111	4	Screw-PPH
4	112-8760	1	Decal-Danger, Ce
5	63-8590	3	Screw
6	105-1316-03	1	Sheet-Lip
7	49-2040	3	Screw-HWHTF
8	108-3797-03	1	Plate-Cover, Front
9	112-8867	1	Decal-Washout Port, Trilingual

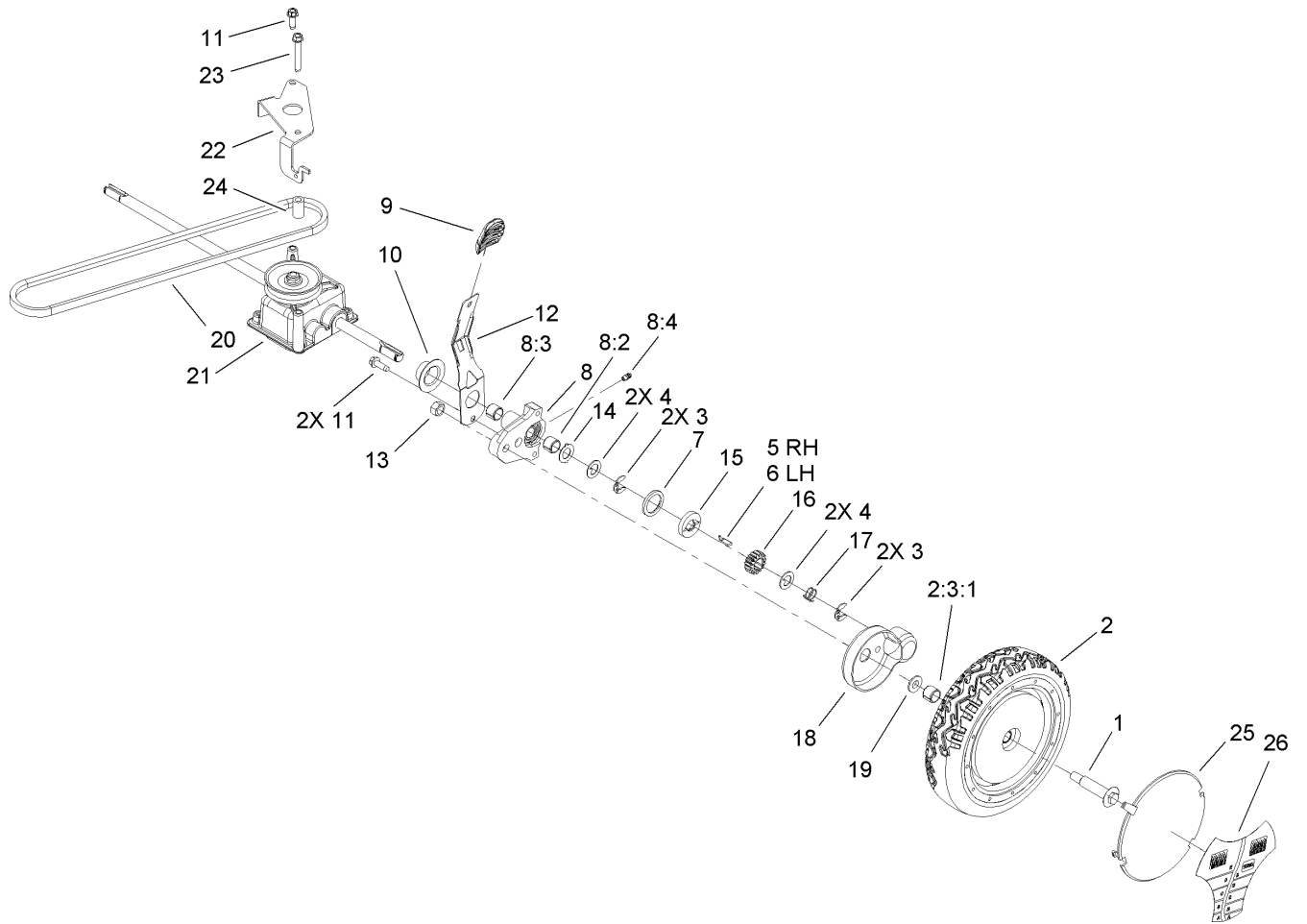
--	--	--	--



Height-of-Cut Assembly

Ref	Part No.	Qty.	Description
1	92-1057	2	Bolt-Shoulder
2	107-3706	2	8 Inch Wheel ASM
2:1	27-6250	2	Bushing
3	107-7498	2	Screw-Shoulder, HOC
4	107-7492	2	Arm-Pivot
5	107-7491	2	Arm-Spring
6	105-3042	2	Knob-Lever, HOC
7	603773	4	Nut
8	49-2040	13	Screw-HWHTF
10	107-7478	4	Plate-HOC
11	40-1940	2	Washer
13	52-2480	2	Spacer-Wheel
15	3256-24	2	Washer-Flat
16	108-3797-03	1	Plate-Cover, Front
17	114-2608	1	Decal-Housing

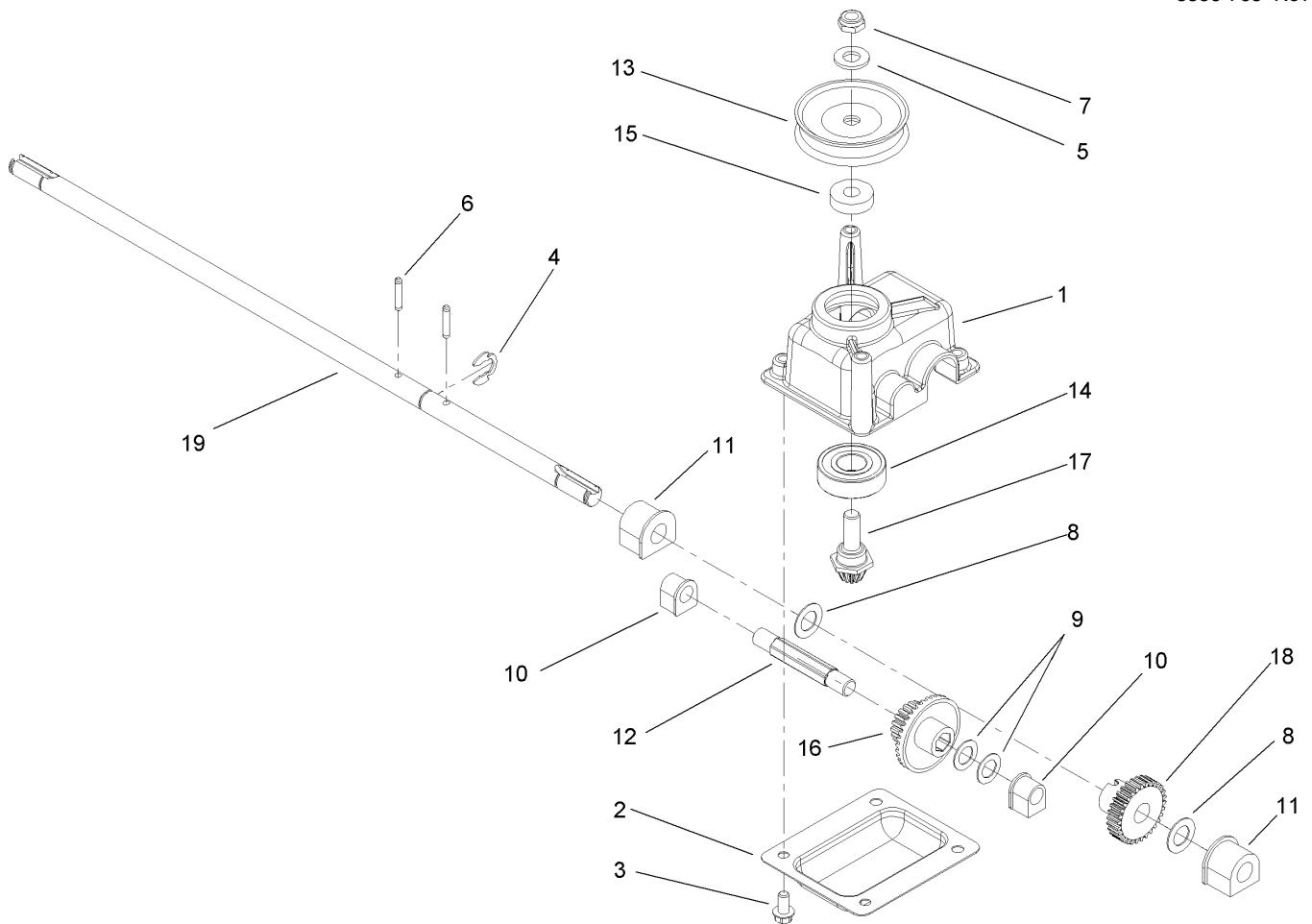
--	--	--	--



Rear Wheel and Gear Case Assembly

Ref	Part No.	Qty.	Description
1	92-1057	2	Bolt-Shoulder
2	107-3707	2	Wheel Gear ASM
1 2:3		1	8 Inch Wheel ASM
2:3:1	27-6250	2	Bushing
3	65-2720	4	Klipring-Locking
4	65-4740	4	Washer-Thrust, Keyed
5	66-6040	1	Key-Rocking, RH
6	66-6050	1	Key-Rocking, LH
7	65-4710	2	Ring-Friction
8	100-8774	2	Pivot Arm ASM
8:2	47-2900	1	Bushing
8:3	70-9760	1	Bushing
8:4	302-56	1	Fitting-Grease
9	105-3042	2	Knob-Lever, HOC
10	42-3520	2	Cap-End
11	49-2040	3	Screw-HWHTF
12	107-7491	2	Arm-Spring
13	603773	2	Nut
14	65-4730	2	Washer-Arm, Pivot
15	65-4760	2	Washer-Clutch
16	65-4750	2	Gear-Pinion
17	65-4720	2	Spring-Compression
18	74-1660	2	Cover-Wheel
19	74-1671	2	Spacer-Cover, Wheel

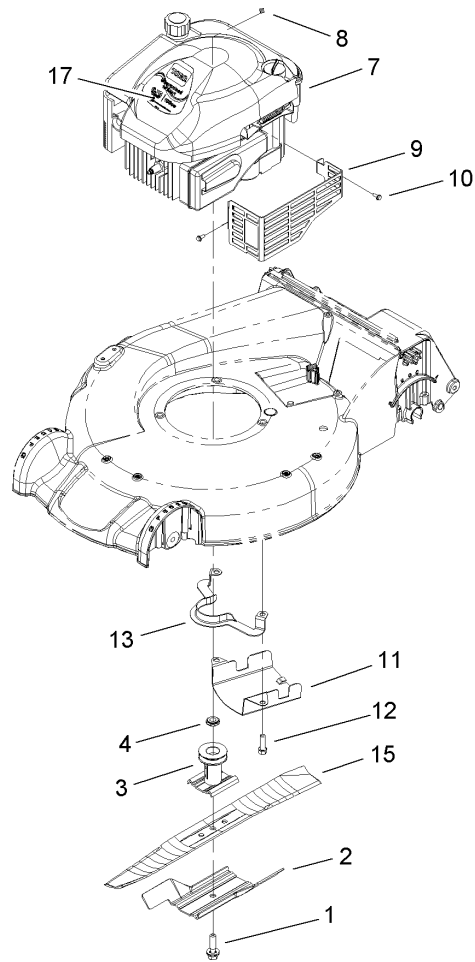
Ref	Part No.	Qty.	Description
20	99-1597	1	V-Belt
21	108-8140	1	Gear Case ASM
22	107-7483-03	1	Bracket-Gearbox
23	92-1616	1	Screw-HWHTF
24	614673	1	Bushing-Plate, Actuator
25	100-6351	1	Cover-Wheel
26	100-1519	1	Label-Wheel, Smart



Gear Case Assembly No. 108-8140

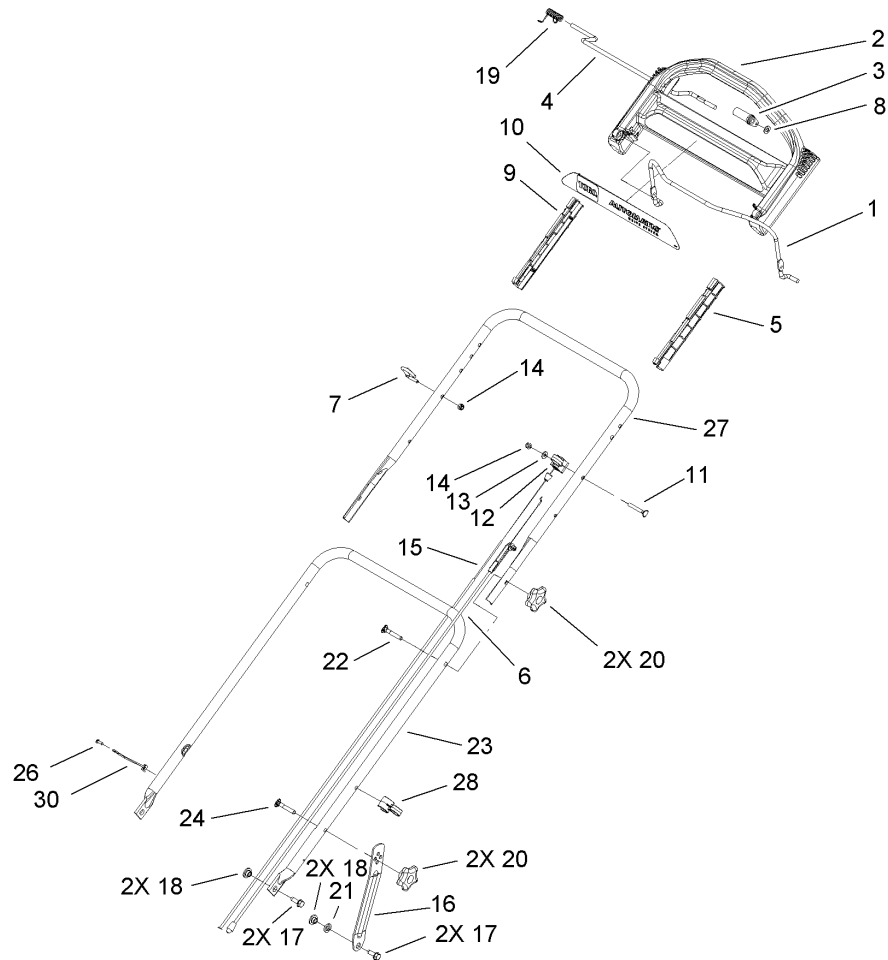
Ref	Part No.	Qty.	Description
1	104-7619	1	Case-Gear
2	614668-03	1	Cover-Case, Gear
3	32144-4	4	Screw-HWH
4	32151-68	1	Ring-Retaining
5	3256-24	1	Washer-Flat
6	3285-19	2	Pin-Groove
7	3296-5	1	Nut-Lock
8	36-4780	2	Washer
9	36-4791	2	Washer-Thrust
10	60-8750	2	Bushing
11	60-8850	2	Bushing
12	614696	1	Shaft-Intermediate
13	100-1176	2	Pulley-Half
14	100-1048	1	Bearing-Ball
15	62-6660	1	Spacer
16	104-1005	1	Gear-19T Spur, 37T Bevel
17	104-7667	1	Gear-Pinion, Bevel
18	104-1004	1	Gear-30T
19	108-8141	1	Shaft-Output

--	--	--	--



Engine Assembly

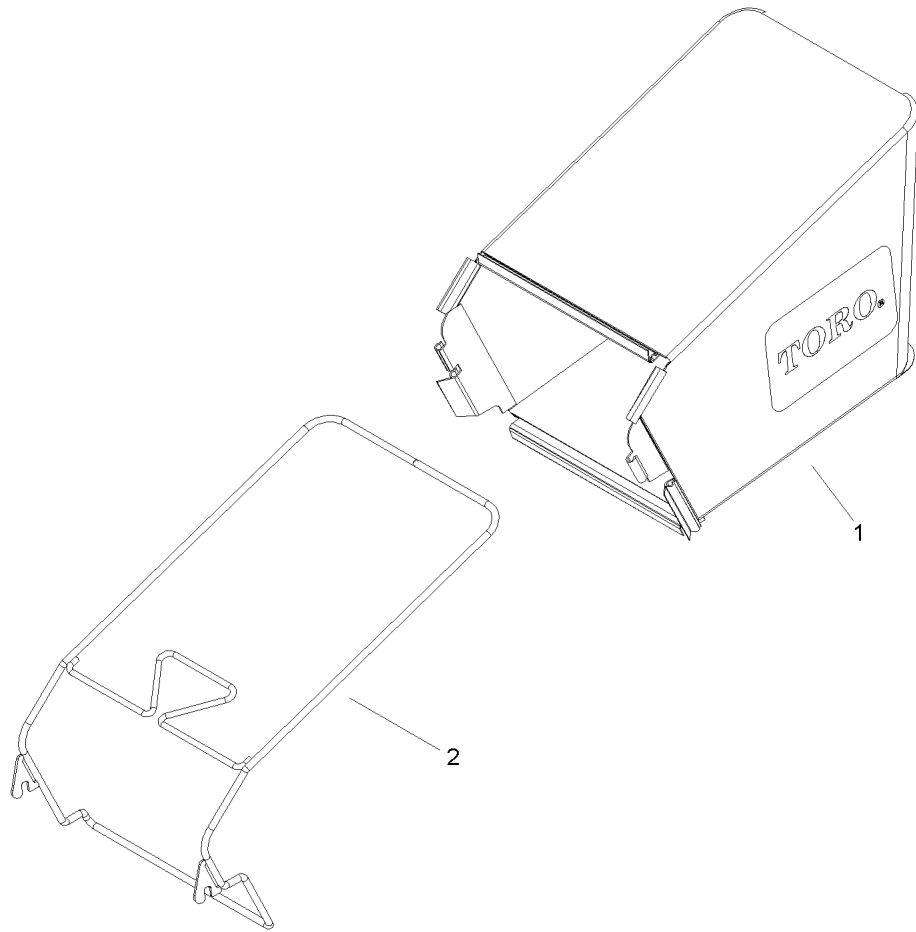
Ref	Part No.	Qty.	Description				
1	105-8579	1	Bolt-Blade				
2	105-6848-03	1	Accelerator-Blade				
3	106-3987	1	Blade Driver ASM				
4	106-3999	1	Spacer-Driver				
2 57		1	Engine-Briggs And Stratton, 12H802-2040-B1				
8	2210-316	1	Stop-Rope				
9	104-7577-03	1	Shield-Muffler				
10	32144-1	3	Screw-Taptite				
11	107-7489-03	1	Shield-Grass				
12	95-1727	3	Screw-Taptite				
13	108-8110-03	1	Guide-Belt				
15	108-3762-03	1	Blade-Recycling				
17	114-2612	1	Decal				



Handle Assembly

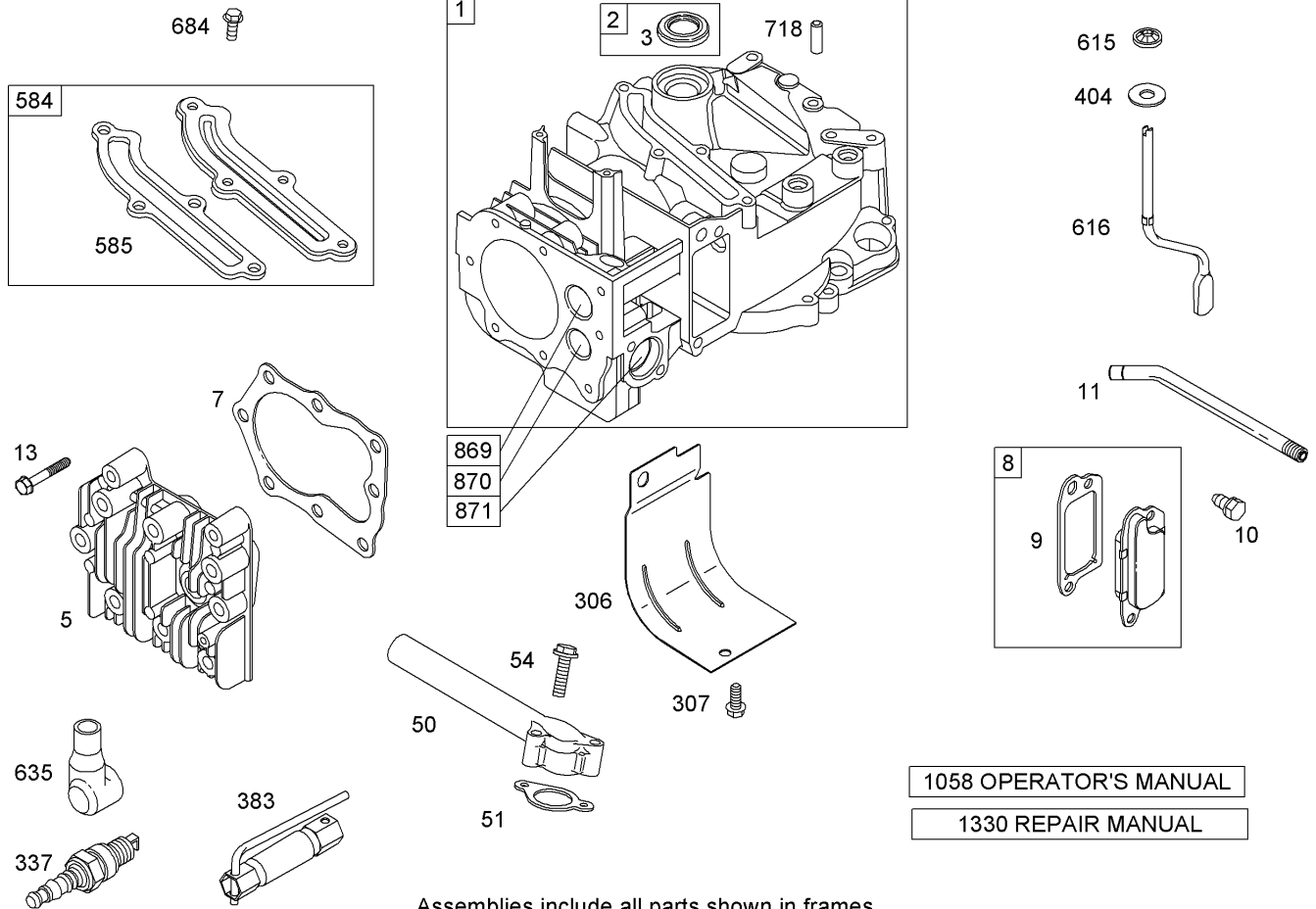
Ref	Part No.	Qty.	Description
1	104-8679-03	1	Bail-Brake
2	104-8678	1	Handle-Control
3	99-1589	1	Lever-Traction
4	99-1588	1	Bar-Control, Traction
5	105-6842	1	Guide-LH
6	108-8157	1	Cable-Brake
7	86-9671	1	Guide-Rope
8	3256-23	1	Washer-Flat
9	105-6841	1	Guide-RH
10	110-7056	1	Decal-Ads, Handle
11	95-4453	1	Screw
12	99-5239	1	Anchor-Cable
13	3256-1	1	Washer-Flat
14	3296-73	2	Nut-Lock, NI
15	108-8158	1	Cable-Traction
16	108-8145-03	2	Support-Handle
17	701243	4	Screw-HWHTF
18	27-6600	4	Spacer-Coupling
19	104-8690	1	Spring-Torsion
20	108-8162	4	Knob-Locking
21	55-9670	2	Washer
22	92-2260	2	Screw-Handle
23	107-7476-05	1	Handle-Lower
24	92-2260	2	Screw-Handle

Ref	Part No.	Qty.	Description
26	32144-53	1	Screw-SHWH
27	107-3783-05	1	Handle-Upper
28	106-6805	1	Guide-Cable
30	108-9452	1	Hook-Rope, Displacement



Rear Bag Assembly

Ref	Part No.	Qty.	Description
1	107-3789	1	Grass Bag ASM
2	107-3785-03	1	Bag Frame ASM



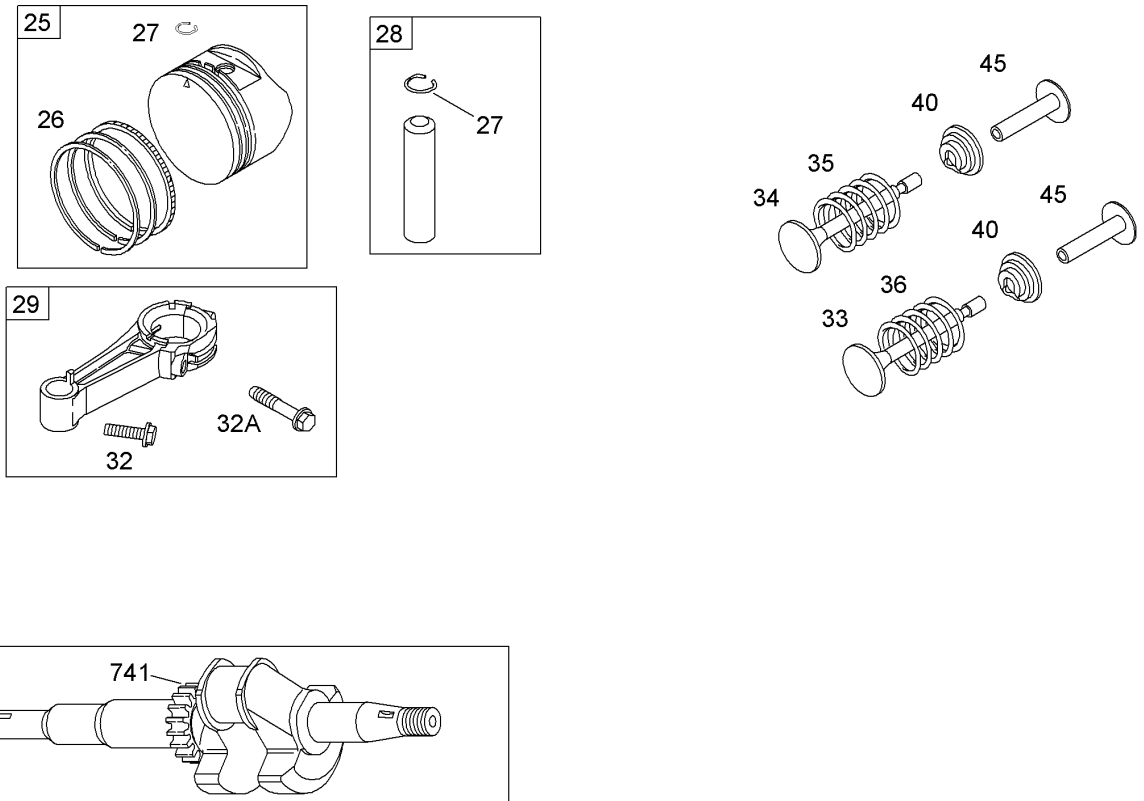
Assemblies include all parts shown in frames

Cylinder Assembly

Briggs and Stratton 12H802-2040-B1

Ref	Part No.	Qty.	Description
1	697322	1	Cylinder ASM
2	399269	1	Bushing/Seal Kit
3	299819s	1	Seal-Oil (Magneto Side)
5	691160	1	Head-Cylinder
7	692249	1	Gasket-Head, Cylinder
8	695250	1	Breather ASM
9	699472	1	Gasket-Breather
10	691125	1	Screw (Breather ASM)
11	691781	1	Tube-Breather
13	690912	1	Screw (Cylinder Head)
50	497465	1	Manifold-Intake
51	272199s	1	Gasket-Intake
54	691650	1	Screw (Intake Manifold)
306	690450	1	Cylinder Shield
307	690345	1	Screw (Cylinder Shield)
337	802592s	1	Plug-Spark
383	89838s	1	Wrench-Spark Plug
404	690272	1	Washer (Governor Crank)
584	697734	1	Cover-Passage, Breather
585	691879	1	Gasket-Passage, Breather
615	690340	1	Retainer-Shaft, Governor
616	698801	1	Crank-Governor
635	793351	1	Boot-Spark Plug
684	690345	1	Screw (Breather Passage Cover)

Ref	Part No.	Qty.	Description
718	690959	1	Pin-Locating
869	691155	1	Seat-Valve (Intake)
870	690380	1	Seat-Valve (Exhaust)
871	262001	1	Bushing-Guide (Exhaust)
871	63709	1	Bushing-Guide (Intake)
1058	MS3262	1	Operator's Manual
1330	270962	1	Repair Manual

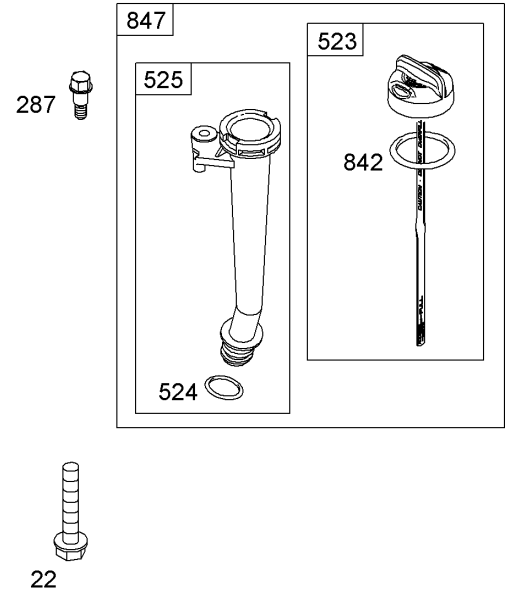
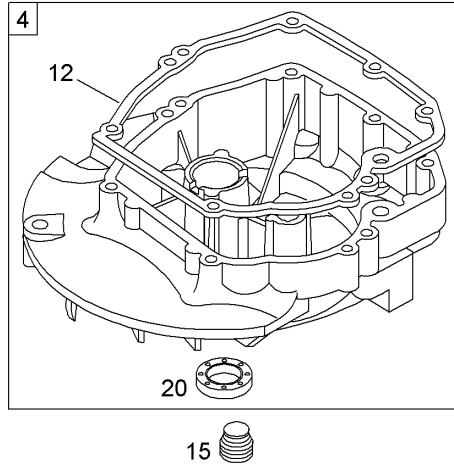
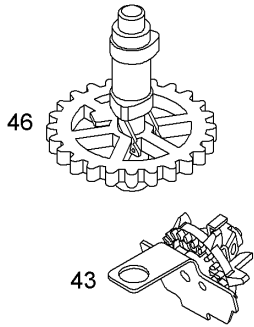
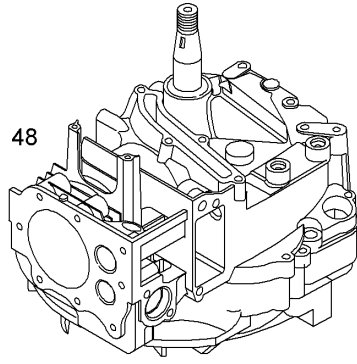


Assemblies include all parts shown in frames

Crankshaft Assembly Briggs and Stratton 12H802-2040-B1

Ref	Part No.	Qty.	Description
③16	696009	1	Crankshaft
③24	222698s	1	Key-Flywheel
③25	790359	1	Piston ASM (STD)
③25	791326	1	Piston ASM (.020 O S)
③26	790360	1	Ring Set (STD)
③26	791324	1	Ring Set (.020 O S)
③27	691866	1	Lock-Pin, Piston
③28	499423	1	Pin-Piston (STD)
③29	499424	1	Rod-Connecting (STD)
③32	691664	1	Screw (Connecting Rod)
③32A	695759	1	Screw (Connecting Rod)
③33	262651s	1	Valve-Exhaust
③34	262652s	1	Valve-Intake
③35	691270	1	Spring-Valve (Intake)
③36	691270	1	Spring-Valve (Exhaust)
③40	692194	1	Retainer-Valve
③45	690548	1	Tappet-Valve
③741	790345	1	Gear-Timing

--	--	--	--

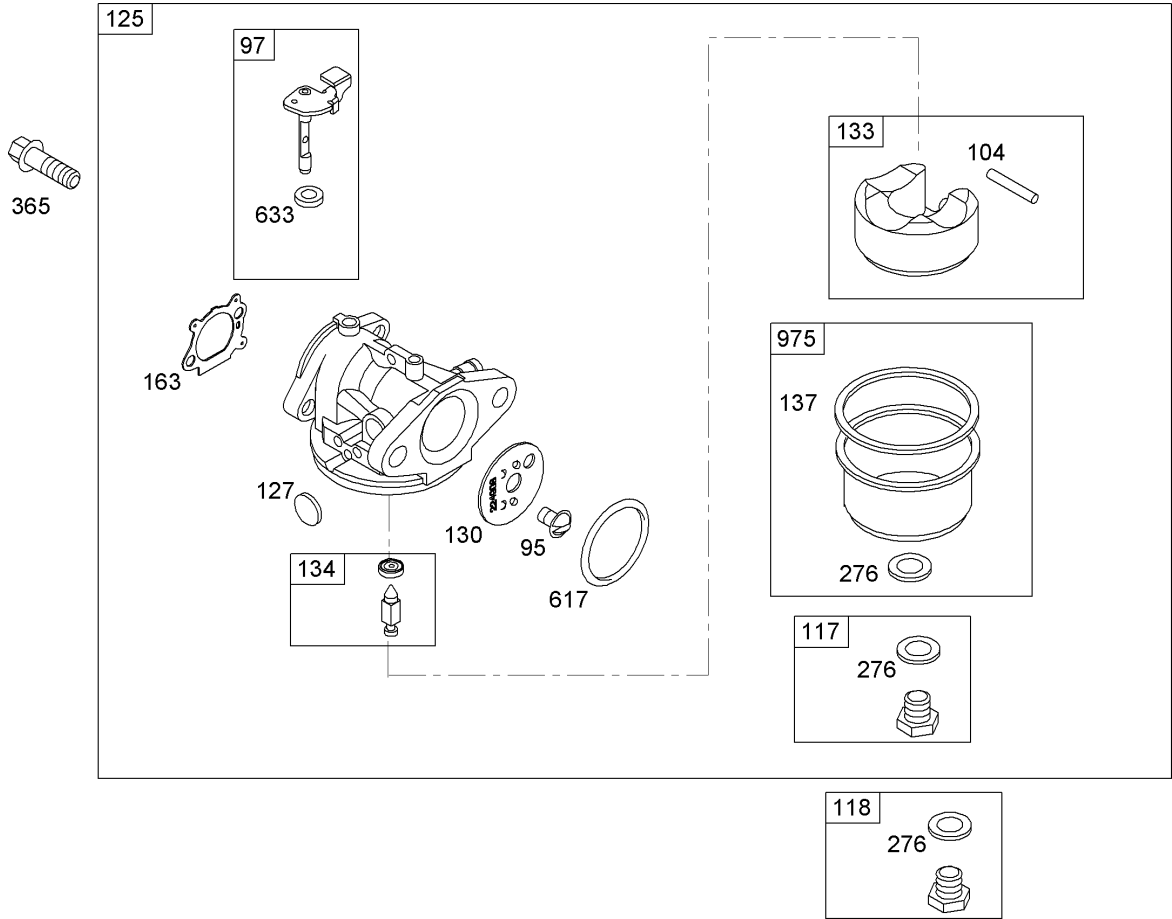


Assemblies include all parts shown in frames

Crankcase Assembly Briggs and Stratton 12H802-2040-B1

Ref	Part No.	Qty.	Description
4	493279	1	Sump-Engine
12	692232	1	Gasket-Crankcase (.015 STD)
15	691680	1	Plug-Drain, Oil
20	399781s	1	Seal-Oil
22	691092	1	Screw (Engine Sump)
43	691997	1	Slinger-Governor, Oil
46	691449	1	Camshaft
48	792742	1	Short Block ASM
287	690940	1	Screw (Dipstick Tube)
523	499621	1	Dipstick
524	692296	1	Seal, O-Ring (Dipstick Tube)
525	495265	1	Tube-Dipstick
842	691031	1	Seal, O-Ring (Dipstick Tube)
847	692047	1	Dipstick Tube ASM

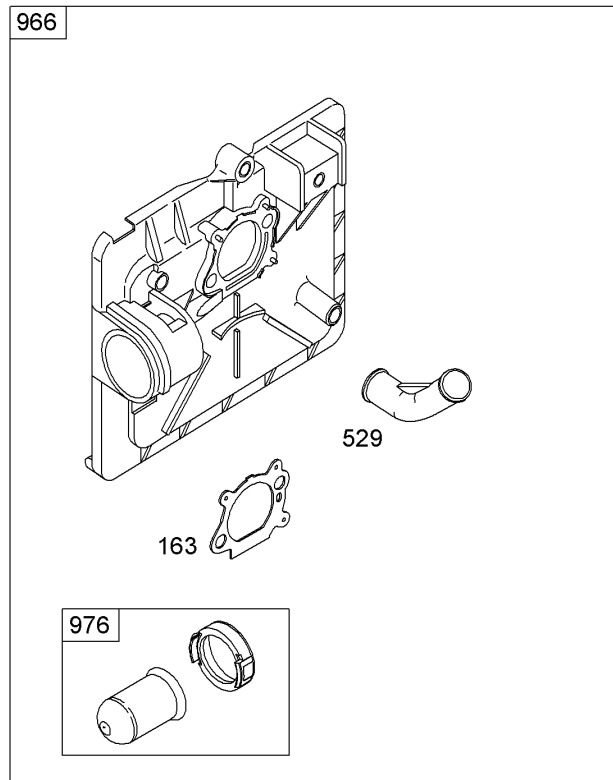
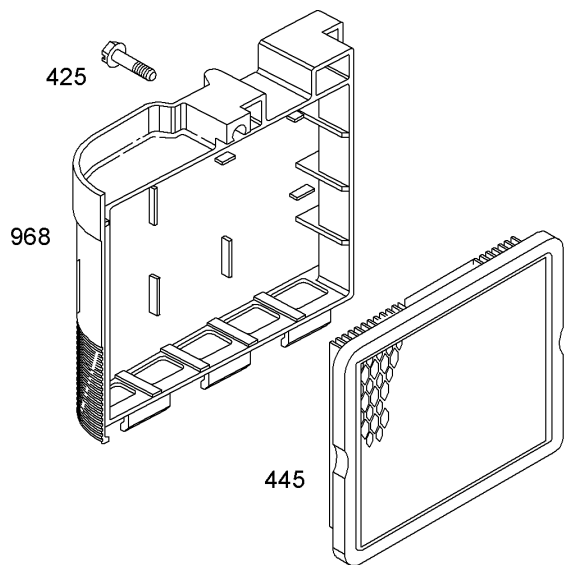
--	--	--	--



Assemblies include all parts shown in frames

Carburetor Assembly Briggs and Stratton 12H802-2040-B1

Ref	Part No.	Qty.	Description
③ 95	691636	1	Screw (Throttle Valve)
③ 97	696565	1	Shaft-Throttle
③ ④ 104	691242	1	Pin-Hinge, Float
③ 117	498978	1	Jet-Main (STD)
③ 118	497466	1	Jet-Main (High Altitude)
③ 125	498170	1	Carburetor
③ ④ 127	694468	1	Plug-Welch
③ 130	696564	1	Valve-Throttle
③ 133	398187	1	Float-Carburetor
③ ④ 134	398188	1	Needle Seat Kit
③ ④ 137	693981	1	Gasket-Bowl, Float
⑤ ⑥			
③ ④ 163	272653s	1	Gasket-Cleaner, Air
⑤ ⑥			
③ ④ 276	271716	1	Washer-Sealing
⑤ ⑥			
③ 365	692524	1	Screw (Carburetor)
③ ④ 617	270344s	1	Seal, O-Ring (Intake Manifold)
⑤ ⑥			
③ ④ 633	691321	1	Seal-Shaft, Choke Throttle
⑤ ⑥			
③ 975	493640	1	Bowl-Float

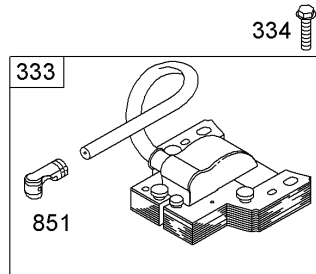
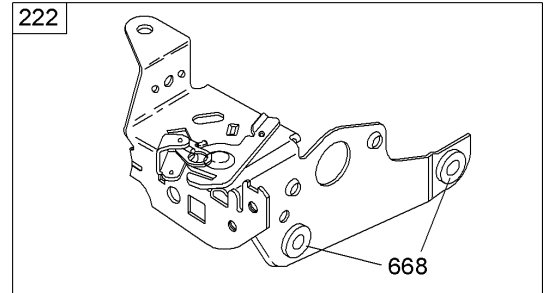
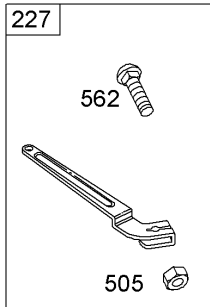
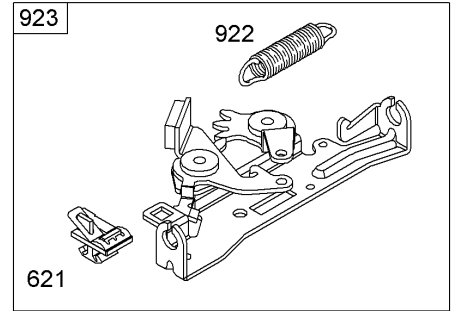
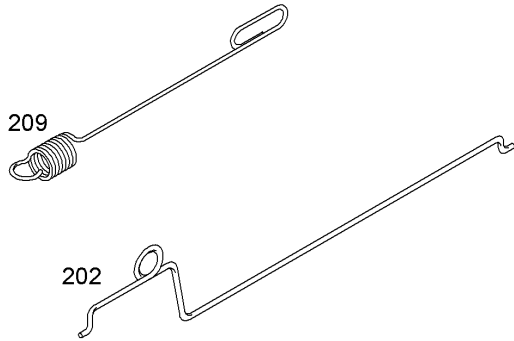


Assemblies include all parts shown in frames

Air Cleaner Assembly Briggs and Stratton 12H802-2040-B1

Ref	Part No.	Qty.	Description
④ 163	272653s	1	Gasket-Cleaner, Air
⑤ ⑥			
④ 425	690670	1	Screw (Air Cleaner Cover)
④ 443	692523	1	Screw (Air Cleaner Primer Base)
④ 445	491588s	1	Filter-Cartridge, Air Cleaner
④ 529	691923	1	Grommet
④ 966	496116	1	Base-Primer, Air Cleaner
④ 968	692298	1	Cover-Cleaner, Air
④ 976	694395	1	Primer-Carburetor

--	--	--	--

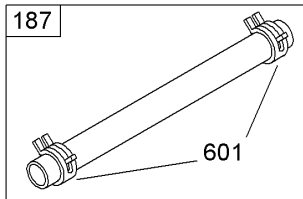
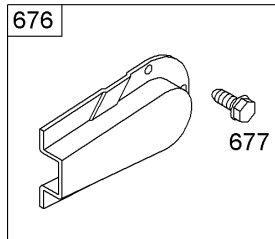
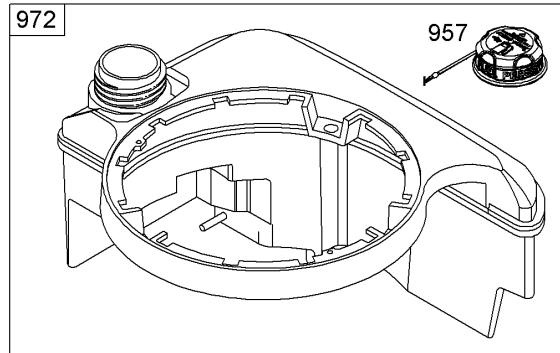
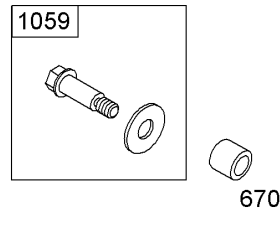
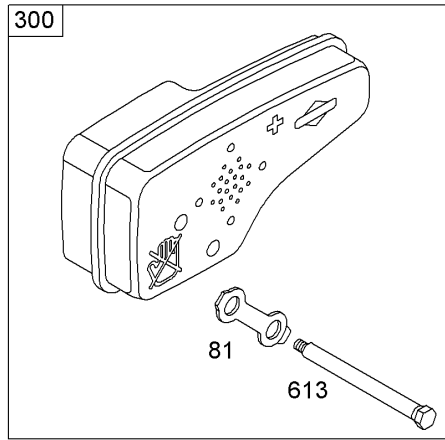


Assemblies include all parts shown in frames

Governor Assembly Briggs and Stratton 12H802-2040-B1

Ref	Part No.	Qty.	Description
● 188	693399	1	Screw (Control Bracket)
● 202	691829	1	Link-Governor, Mechanical
● 209	691852	1	Spring-Governor
● 222	791128	1	Bracket-Control
● 227	690783	1	Lever-Control, Governor
● 333	793353	1	Armature-Magneto
● 334	691061	1	Screw (Magneto Armature)
● 356	692390	1	Wire-Stop
● 505	691251	1	Nut (Governor Control Lever)
● 562	691119	1	Bolt (Governor Control Lever)
● 621	692310	1	Switch-Stop
● 668	493823	1	Spacer
● 745	691648	1	Screw (Brake)
● 851	692424	1	Terminal-Spark Plug
● 922	691831	1	Spring-Brake
● 923	691994	1	Brake

--	--	--	--

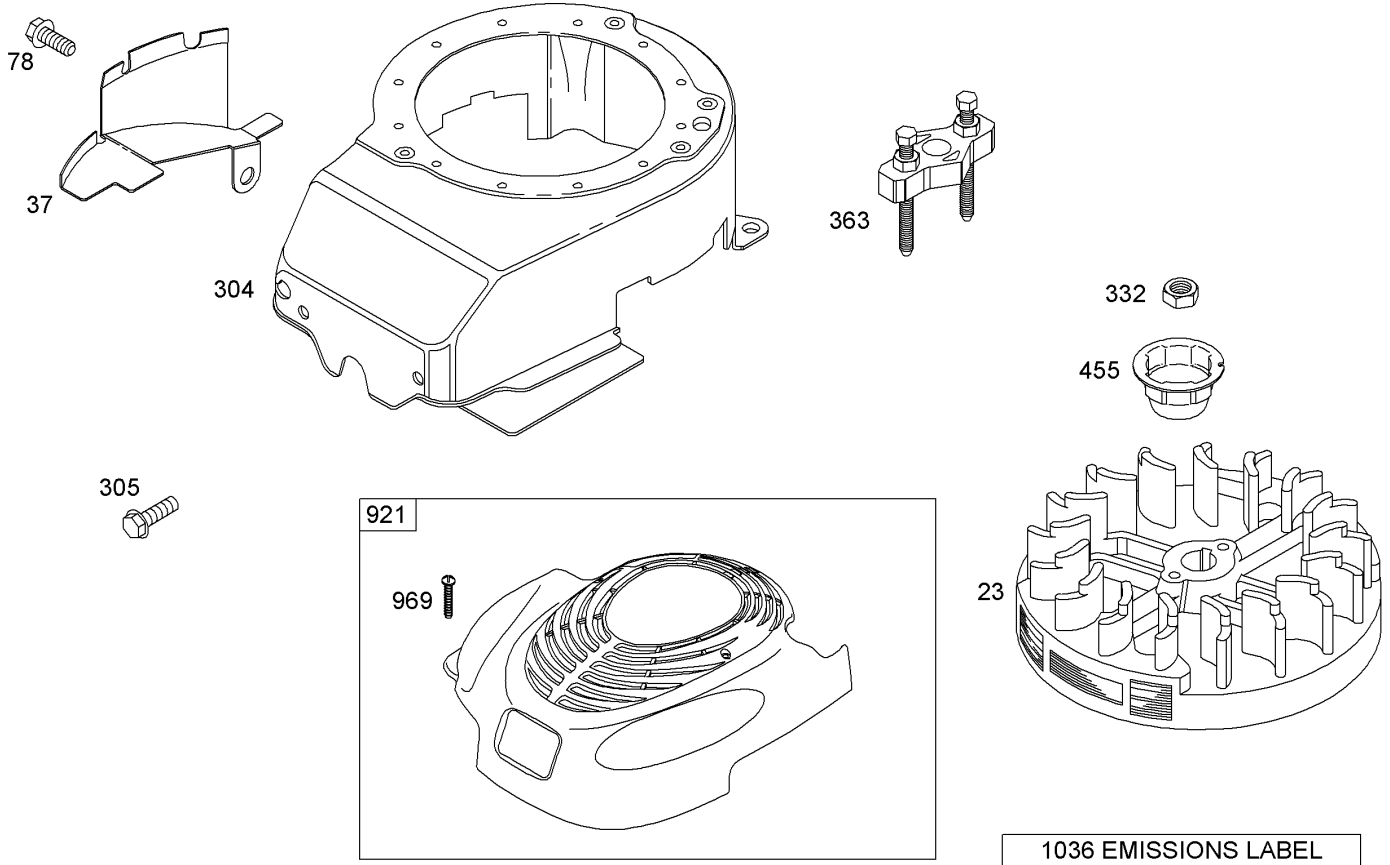


Assemblies include all parts shown in frames

Muffler and Fuel Tank Assembly Briggs and Stratton 12H802-2040-B1

Ref	Part No.	Qty.	Description
81	691740	1	Lock-Screw, Muffler
187	791766	1	Line-Fuel (Cut To Required Length)
190	690940	1	Screw (Fuel Tank)
300	692038	1	Muffler
601	791850	1	Clamp-Hose
613	691340	1	Screw (Muffler)
670	692294	1	Spacer-Tank, Fuel
676	493871	1	Deflector-Muffler
677	690661	1	Screw (Muffler Deflector)
957	699985	1	Cap-Tank, Fuel
972	699374	1	Tank-Fuel
1059	692311	1	Screw/Washer Kit

--	--	--	--

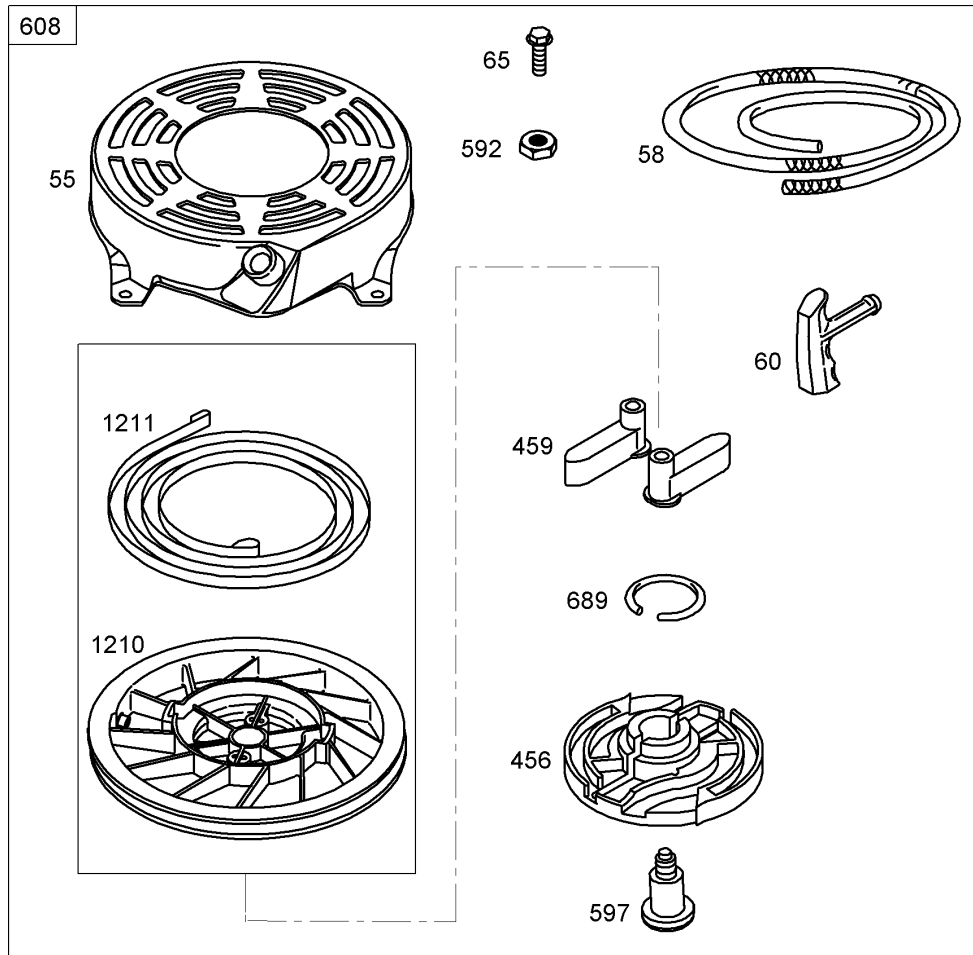


Assemblies include all parts shown in frames

Blower Housing Assembly

Briggs and Stratton 12H802-2040-B1

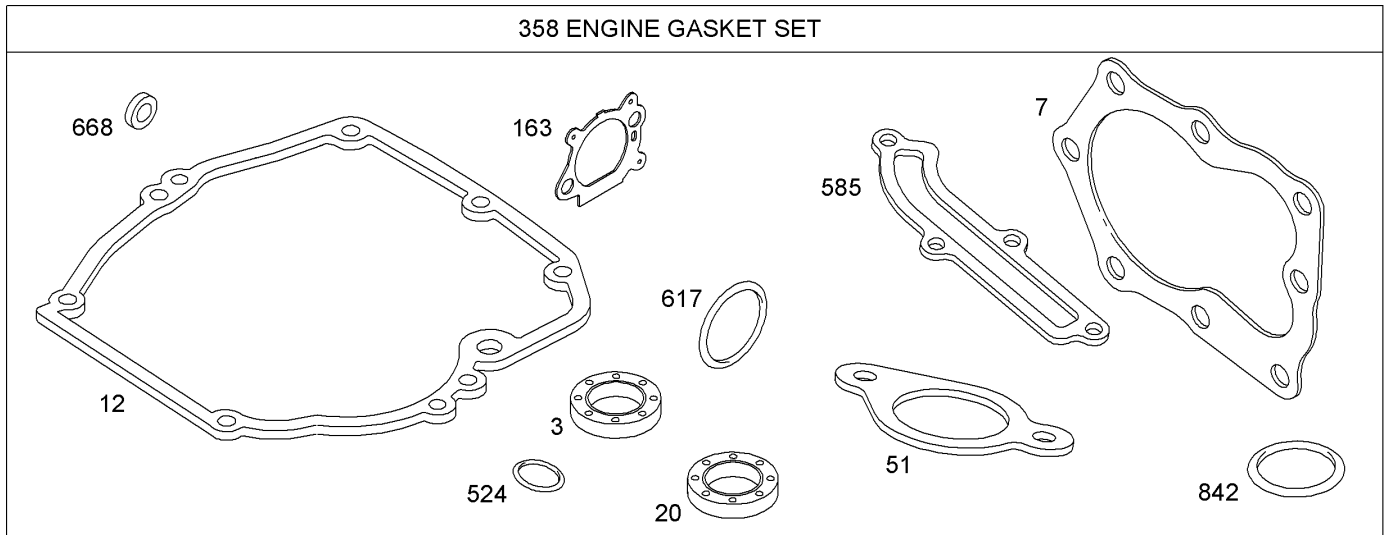
Ref	Part No.	Qty.	Description
23	691987	1	Flywheel
37	694086	1	Guard-Flywheel
78	691108	1	Screw (Flywheel Guard)
304	493293	1	Housing-Blower
305	691108	1	Screw (Blower Housing)
332	690662	1	Nut (Flywheel)
363	19069	1	Puller-Flywheel
455	791960	1	Cup-Flywheel
921	790036	1	Cover-Housing, Blower
969	691138	1	Screw (Blower Housing Cover)
1036		1	Label-Emissions (Available From An Authorized Briggs And Stratton Service Dealer)



Starter Assembly Briggs and Stratton 12H802-2040-B1

Ref	Part No.	Qty.	Description
●55	691421	1	Housing-Starter, Rewind
●58	697316	1	Rope-Starter
●60	281434s	1	Grip-Rope, Starter
●65	690837	1	Screw (Rewind Starter)
●456	692299	1	Plate-Friction, Pawl
●459	281505s	1	Ratchet-Pawl
●592	690800	1	Nut (Rewind Starter)
●597	691696	1	Screw (Pawl Friction Plate)
●608	497680	1	Starter-Rewind
●689	691855	1	Spring-Friction
●1210	498144	1	Pulley/Spring ASM (Pulley)
●1211	498144	1	Pulley/Spring ASM (Spring)

--	--	--	--

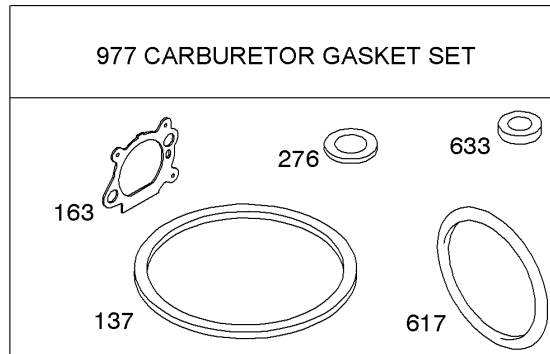
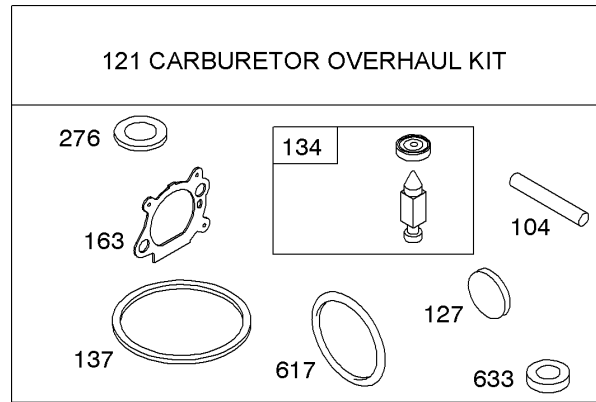


Assemblies include all parts shown in frames

Gasket Kit Briggs and Stratton 12H802-2040-B1

Ref	Part No.	Qty.	Description
353	299819s	1	Seal-Oil (Magneto Side)
357	692249	1	Gasket-Head, Cylinder
3512	692232	1	Gasket-Crankcase
3520	399781s	1	Seal-Oil (PTO Side)
3551	272199s	1	Gasket-Intake
4163	272653s	1	Gasket-Cleaner, Air
358	497316	1	Gasket Set-Engine
524	692296	1	Seal, O-Ring (Dipstick Tube)
585	691879	1	Gasket-Passage, Breather
4617	270344s	1	Seal, O-Ring (Intake Manifold)
35668	493823	1	Spacer
35842	691031	1	Seal, O-Ring (Dipstick)

Ref	Part No.	Qty.	Description



Assemblies include all parts shown in frames

Carburetor Overhaul Kit Briggs and Stratton 12H802-2040-B1

Ref	Part No.	Qty.	Description
③④104	691242	1	Pin-Hinge, Float
③121	498260	1	Carburetor Overhaul Kit
③④127	694468	1	Plug-Welch
③④134	398188	1	Needle Seat Kit
③④137	693981	1	Gasket-Bowl, Float
⑥			
③④163	272653s	1	Gasket-Cleaner, Air
⑤⑥			
③276	271716	1	Washer-Sealing
③④617	270344s	1	Seal, O-Ring
⑤			
③④633	691321	1	Seal-Shaft, Choke Throttle
⑥			
③977	498261	1	Carburetor Gasket Set

Attachments and Accessories

For 20792 - 53cm Super Recycler Lawn Mower

Product Name

Model/Part

Traction Assist Handle Kit 108-8120

NOTES

