



## GT2100 Garden Tractor

Model No. 14AP80RP544 - 1A136H30000 and up.

### Parts Catalog

---

#### **Ordering Replacement Parts**

To order replacement parts, please supply the part number, the quantity, and the description of each part desired.

#### **Understanding Reference Numbers**

Each identified part in an illustration has a reference number. The reference number for a part also appears in the parts list, along with other information about the part.

This catalog uses two special reference number formats, one to indicate parts in a service assembly and another to indicate the quantity of a given part in an illustration.

#### **Service Assembly Reference Numbers**

Parts in service assemblies have reference numbers in the form a:b. The a represents the reference number of the entire service assembly and the b represents a sequential number unique to each part within the service assembly.

For example, a wheel assembly might be identified by reference number 6, the tire by 6:1, the valve by 6:2, and the wheel by 6:3. When you order the assembly identified by reference number 6, you receive all parts identified by reference numbers 6:1, 6:2, and 6:3. However, you may also order any part individually. Reference numbers of this type appear in illustrations and in part lists.

#### **Reference Numbers Indicating Quantity**

In an illustration, if a reference number indicates more than one part, the reference number has the form nX y. The n represents the quantity of the part, the X is the multiplication symbol, and the y represents the reference number.

For example, in an illustration, the reference number 2X 37 means that two of the parts identified by reference number 37 are indicated.

# Contents

Description	Page	Description	Page
Front and Rear Wheel Assembly	..... 3	Oil Pan and Lubrication Assembly Kohler SV720-0017	..... 22
Deck Lift Arm Assembly	..... 4	Head, Valve and Breather Assembly Kohler SV720-0017	..... 23
Steering Shaft and Front Axle Assembly	..... 5	Ignition and Electrical Assembly Kohler SV720-0017	..... 24
Frame and Battery Assembly	..... 6	Blower Housing and Baffle Assembly Kohler SV720-0017	..... 25
Seat and Fender Assembly	..... 7	Starting System Assembly Kohler SV720-0017	..... 26
Fuel Tank and Hood Assembly	..... 8	Fuel System Assembly Kohler SV720-0017	..... 27
Transmission, Belt and Pulley Assembly	..... 10	Engine Control Assembly Kohler SV720-0017	..... 28
Transmission Assembly No. 112-0558	..... 12	Air Intake and Filtration Assembly Kohler SV720-0017	..... 29
Brake and Traction Assembly	..... 14	Exhaust Stud, Gasket and Decal Assembly Kohler SV720-0017	..... 30
Electric Clutch Assembly	..... 15	Attachments and Accessories List	..... 31
Deck Assembly	..... 16		
Spindle Assembly No. 112-0370	..... 18		
Muffler Assembly	..... 19		
Crankshaft Assembly Kohler SV720-0017	..... 20		
Crankcase Assembly Kohler SV720-0017	..... 21		

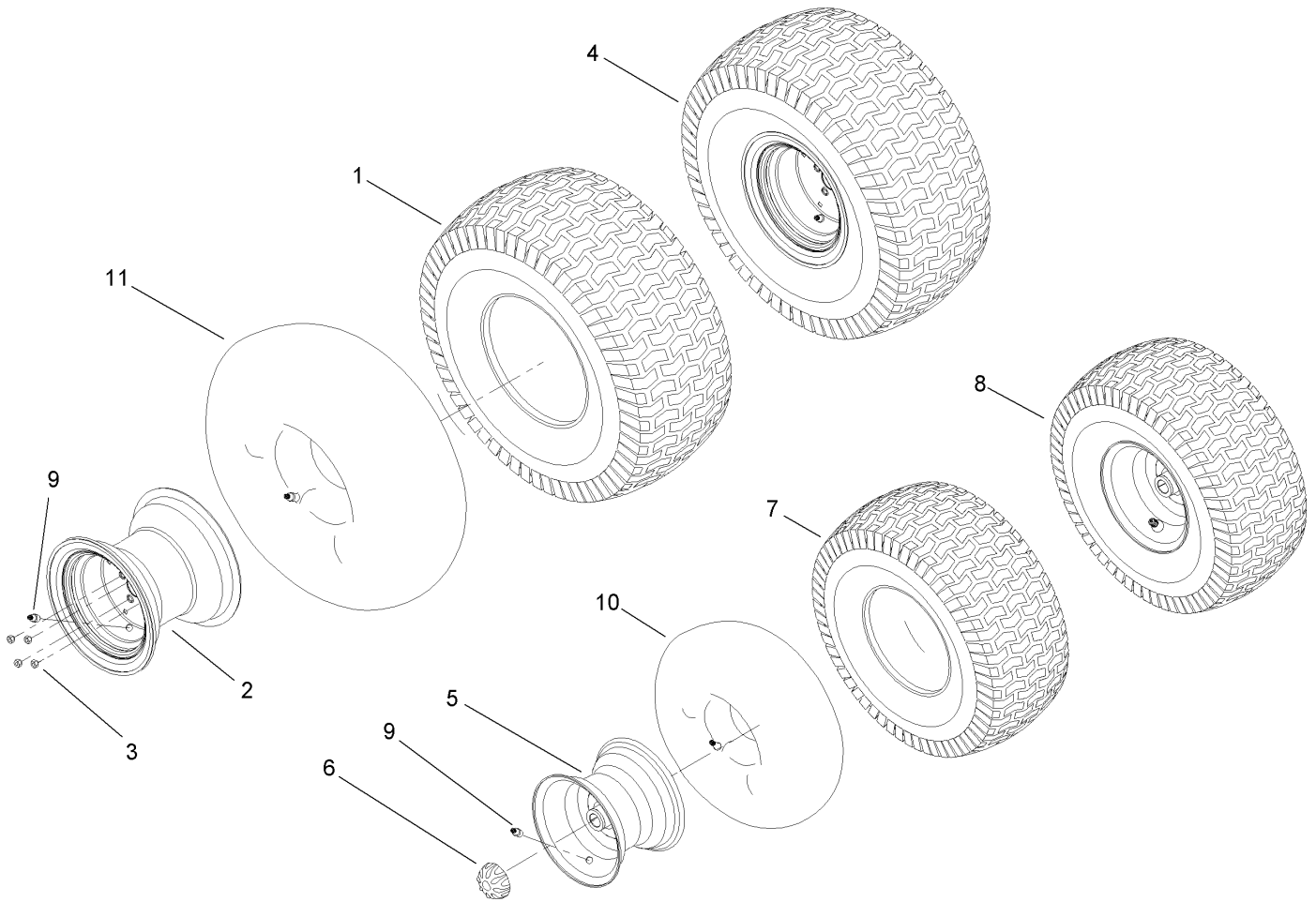
## Part Description Abbreviations

Part descriptions in this catalog may include the following abbreviations.

AR. .... as required	HYD. .... hydraulic
ASM. .... assembly	LH. .... left hand
BBC. .... blade brake clutch	NI. .... nylon insert
CARR. .... carriage	NPTF. .... national pipe thread fine
DEG. .... degrees	PFH. .... phillips flat head
EXT. .... external	PPH. .... phillips pan head
FH. .... flat head	PPHTF. .... phillips pan head thread forming
GA. .... gauge	PRH. .... phillips round head
HD. .... heavy-duty	PTH. .... phillips truss head
HF. .... hex flange	PTO. .... power-take-off
HH. .... hex head	RH. .... right hand
HHF. .... hex head flange	ROPS. .... roll-over protection system
HHFTF. .... hex head flange thread forming	SFH. .... slotted fillister head
HJ. .... hex jam	SHH. .... slotted hex head
HLH. .... hex lag head	SHWH. .... slotted hex washer head
HOC. .... height-of-cut	SPH. .... slotted pan head
HSBH. .... hex socket button head	SQH. .... square head
HSFH. .... hex socket flat head	SRH. .... slotted round head
HSH. .... hex socket head	STD. .... standard
HWH. .... hex washer head	TAP. .... self tapping
HWHTF. .... hex washer head thread forming	TTH. .... torx truss head

## Footnotes

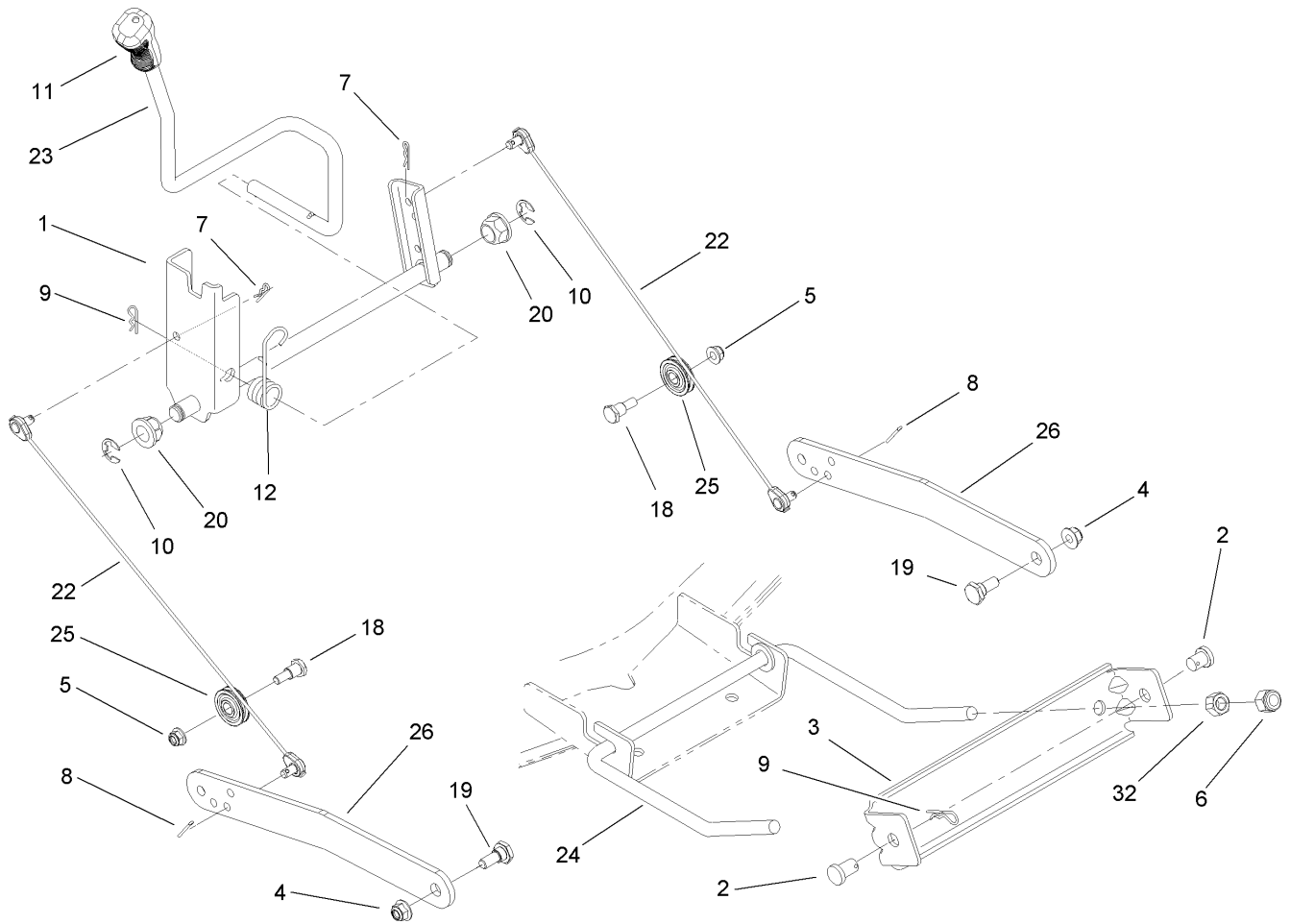
- |  |                                      |
|--|--------------------------------------|
| ❶ Not illustrated                      | ❷ Not serviced separately            |
| ❸ Obtain from your local Kohler dealer | ❹ Obtain from your local Toro dealer |
| ❺ For Service with Keihin Carburetors  | ❻ For Service of Nikki Carburetors   |



### Front and Rear Wheel Assembly

Ref	Part No.	Qty.	Description
1	112-0876	1	Tire-Turf
2	112-0849	1	Rim ASM
3	112-0911	1	Nut-Lug
4	112-0847	1	Wheel ASM
5	112-0919	1	Rim ASM
6	112-0352	1	Cap-Hub
7	112-0877	1	Tire-Turf
8	112-0848	1	Wheel ASM
9	112-0503	1	Valve-Air, Tubeless
10	112819	1	Tube-Inner
11	7007	1	Tube-Inner

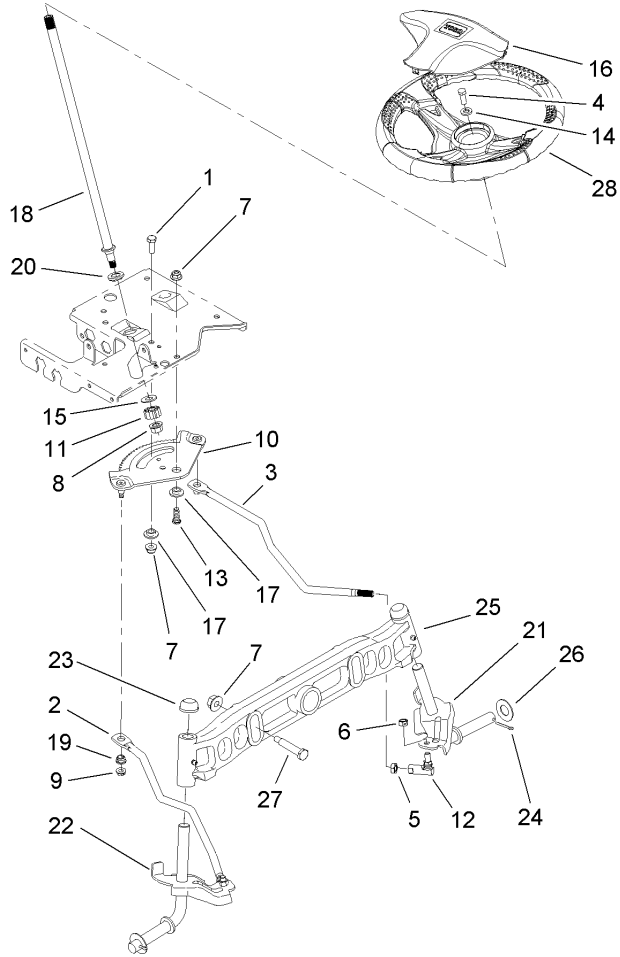
--	--	--	--



## Deck Lift Arm Assembly

Ref	Part No.	Qty.	Description
1	112-0686	1	Lift Shaft ASM
2	112-0376	1	Pin-Bracket, Lift
3	112-0707	1	Bracket-Stabilizer
4	112-0668	1	Nut-Lock, Flange
5	112-0650	1	Nut-Lock, Flange
6	112-0476	1	Nut-Lock, Hex (Nylon)
7	112-0459	1	Pin-Cotter
8	112-0568	1	Pin-Cotter
9	112-0394	1	Pin-Hair
10	112-0586	1	Ring-E
11	112-0585	1	Grip-Handle
12	112-0477	1	Spring-Torsion
18	112-0443	1	Bolt-Shoulder
19	112-0565	1	Bolt-Shoulder
20	112-0347	1	Bearing-Flange
22	112-0374	1	Cable-Lift
23	112-0674	1	Handle-Lift
24	112-0456	1	Rod-Front, Adjust
25	112-0502	1	Pulley-Roller
26	112-0724	1	Link-Lift
32	112-0458	1	Nut-Hex

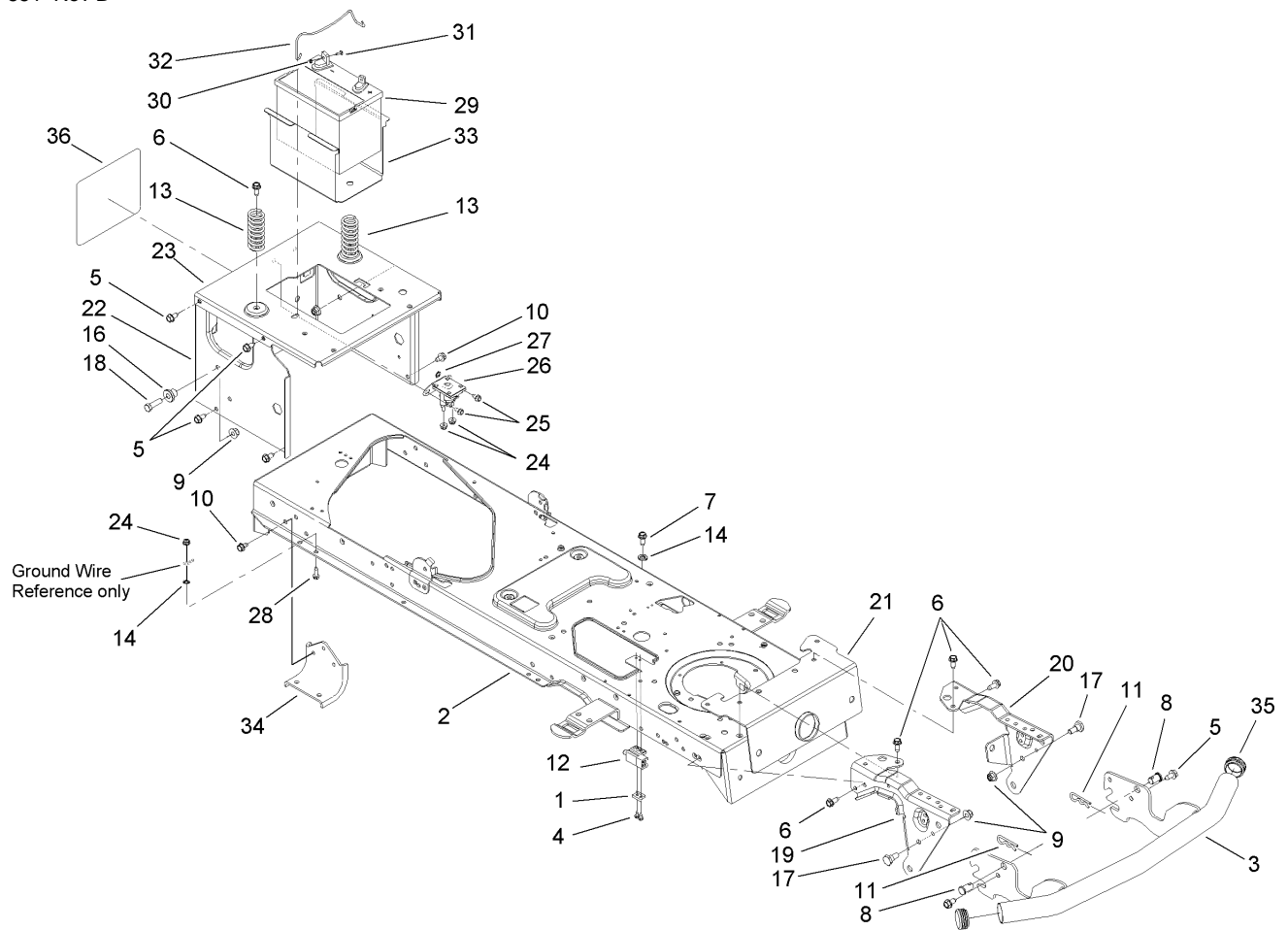
--	--	--	--



## Steering Shaft and Front Axle Assembly

Ref	Part No.	Qty.	Description
1	112-0492	1	Screw-HH
2	112-0355	1	Link-Drag, RH
3	112-0346	1	Link-Drag, LH
4	112-0473	1	Screw-HH
5	112-0493	1	Nut-Jam
6	112-0483	1	Nut-Hex, Lock
7	112-0668	1	Nut-Lock, Flange
8	112-0859	1	Nut-Lock, Flange
9	112-0511	1	Nut-Lock, Flange
10	112-0862	1	Gear-Steering
11	112-0863	1	Gear-Pinion, Steering
12	112-0917	1	Ball Joint ASM
13	112-0631	1	Screw-HH
14	112-0924	1	Washer-Flat
15	112-0925	1	Washer-Flat
16	112-0341	1	Cover-Wheel, Steering
17	112-0881	1	Spacer-Shoulder
18	112-5804	1	Shaft-Steering
19	112-0929	1	Bushing
20	112-0930	1	Bearing-Flange, Hex
21	112-0687	1	LH Axle ASM
22	112-0405	1	RH Axle ASM
23	112-0323	1	Cap
24	112-0519	1	Pin-Cotter

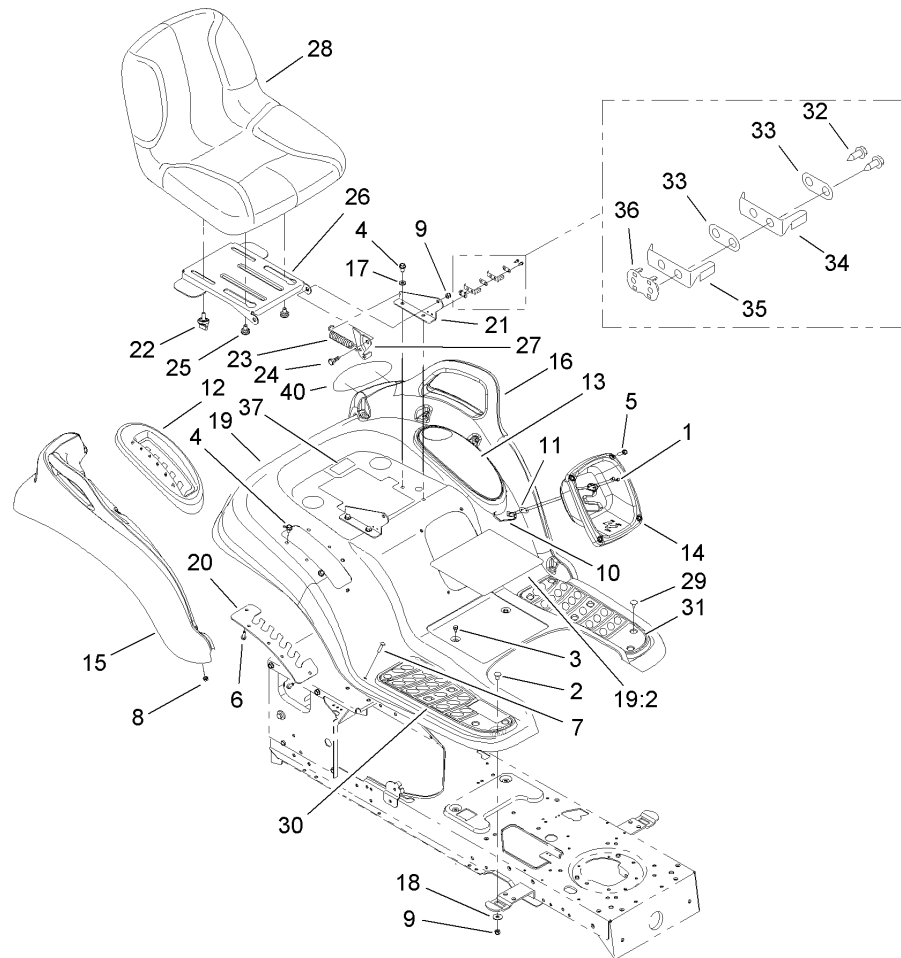
Ref	Part No.	Qty.	Description
25	112-0416	1	Axle-Pivot, Front
26	112-0396	1	Washer-Flat
27	112-0486	1	Bolt-Shoulder
28	112-0438	1	Wheel-Steering, Softgrip



## Frame and Battery Assembly

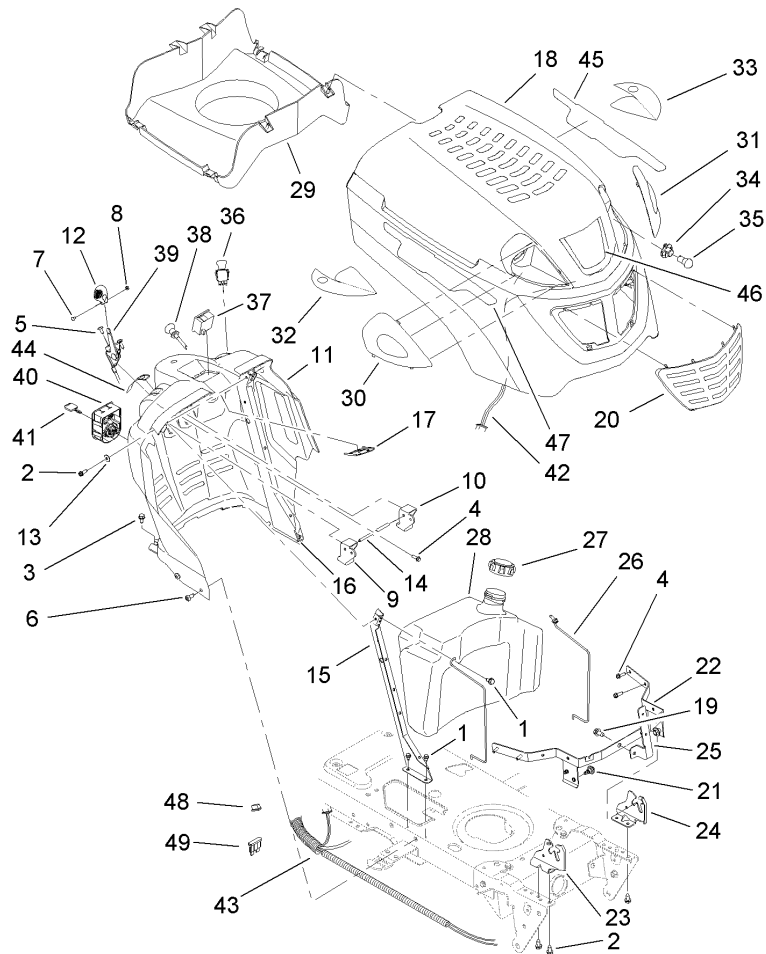
Ref	Part No.	Qty.	Description
1	112-0671	1	Plate-Switch
2	112-0705	1	Lower Frame ASM
3	112-0954	1	Bumper ASM
4	112-0651	1	Screw-HH, TAP
5	112-0472	1	Screw-HH, TAP
6	112-0395	1	Screw-HWH
7	112-0659	1	Screw-HWH
8	112-0376	1	Pin-Bracket, Lift
9	112-0668	1	Nut-Lock, Flange
10	112-0676	1	Screw-TAP
11	112-0394	1	Pin-Hair
12	112-0455	1	Switch-Interlock
13	112-0501	1	Spring-Compression
14	112-0703	1	Washer-Lock, External
16	112-0661	1	Spacer-Shoulder
17	112-0565	1	Bolt-Shoulder
18	112-0557	1	Screw-HH
19	112-0620	1	Bracket-Pivot, Support
20	112-0610	1	Bracket-Pivot, Support
21	112-0640	1	Bracket-Pivot, Bar
22	112-0728	1	Frame-Upper
23	112-0647	1	Bracket-Frame, Seat
24	112-0636	1	Nut-Lock, Flange
25	112-0524	1	Screw-HWHTF

Ref	Part No.	Qty.	Description
26	112-0309	1	Solenoid-12V
27	112-0703	1	Washer-Lock, External
28	112-0587	1	Screw-HH, TAP
29	112-0425	1	Battery-245 Cca (Dry Flat Top)
30	112-5805	1	Nut-Sems
31	112-0479	1	Bolt-CARR
32	112-0581	1	Rod-Holddown, Battery
33	112-5806	1	Tray-Battery
34	112-0710	1	Bracket-Axle
35	112-5807	1	Bumper-Cap
36	112-1284	1	Decal-Toro



## Seat and Fender Assembly

Ref	Part No.	Qty.	Description	Ref	Part No.	Qty.	Description
1	112-0626	1	Screw-HWHTF	24	112-0575	1	Bolt-Shoulder
2	112-0373	1	Screw-HH	25	112-0554	1	Bolt-Shoulder
3	112-0524	1	Screw-HWHTF	26	112-0593	1	Bracket-Seat
4	112-0556	1	Screw-HWH	27	112-0646	1	Bracket-Lift, LH
5	112-0566	1	Screw-TAP	28	112-0372	1	Seat-High Back
6	112-0509	1	Screw-HH, TAP	29	112-0549	1	Clip-Ratchet, Fastener
7	112-0907	1	Screw-CARR	30	112-0540	1	Pad-Foot, RH
8	112-0546	1	Nut-Sems	31	112-0545	1	Pad-Foot, LH
9	112-0650	1	Nut-Lock, Flange	32	112-0626	1	Screw-HWHTF
10	112-5851	1	Switch-Spring	33	112-0635	1	Plate-Insulator
11	112-0625	1	Plate-Insulator	34	112-0529	1	Switch-Spring
12	112-0869	1	Cover-Lever, Lift	35	112-0532	1	Switch-Spring, Inner
13	112-0870	1	Cover (W/Cup Holder)	36	112-0637	1	Plate-Boss, Insulator
14	112-5852	1	Cover-Shift	37	112-3701	1	Decal-Toro Hotline
15	112-0871	1	Flare-Fender, RH	40	112-5873	1	Reflector
16	112-0872	1	Flare-Fender, LH				
17	112-0517	1	Washer-Lock, External				
18	112-0582	1	Washer-Flat				
19	112-5868	1	Fender And Decal ASM				
19:2	112-3705	1	Decal-Slope				
20	112-0629	1	Bracket-Adjusting, Lift				
21	112-0905	1	Bracket-Mount, Seat				
22	112-0409	1	Knob				
23	112-0616	1	Spring-Extension				

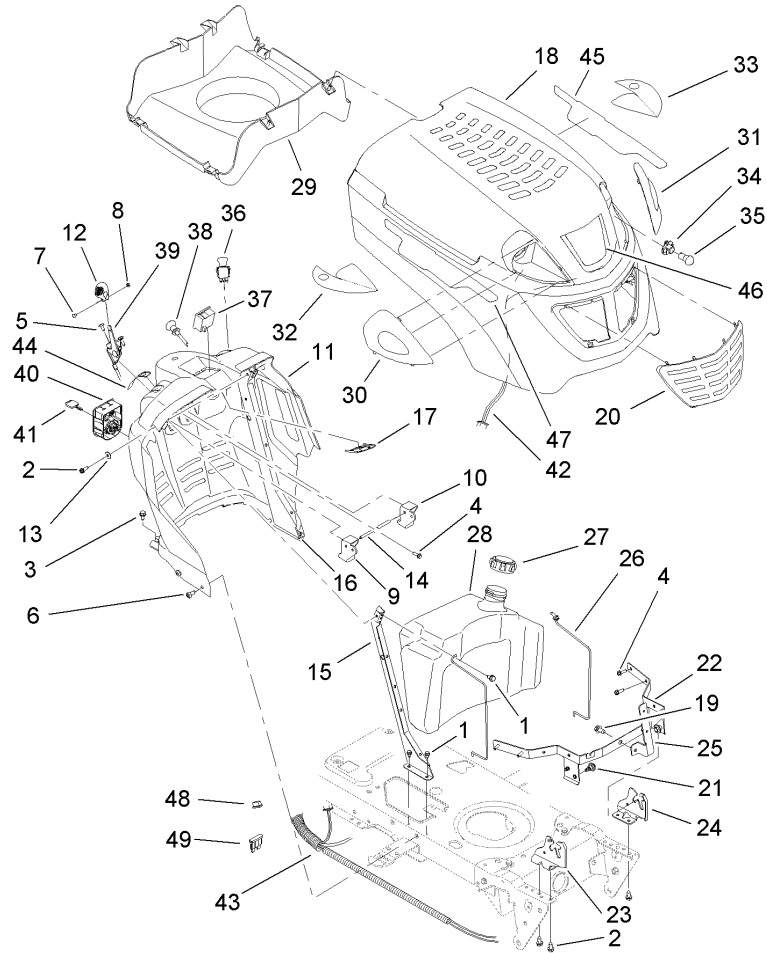


## Fuel Tank and Hood Assembly

Ref	Part No.	Qty.	Description
1	112-0524	1	Screw-HWHTF
2	112-0587	1	Screw-HH, TAP
3	112-0472	1	Screw-HH, TAP
4	112-0509	1	Screw-HH, TAP
5	112-0550	1	Screw-TAP
6	112-0563	1	Screw-TAP
7	112-0478	1	Screw-PTH
8	112-0515	1	Nut-Hex
9	112-0526	1	Lever-Cruise
10	112-0580	1	Lever-Brake
11	112-0536	1	Dash-PTO, Electric
12	112-0474	1	Knob-Control
13	112-0485	1	Washer-Spring
14	112-0604	1	Rod-Lever, Bent
15	112-0583	1	Support-Dash, RH
16	112-0591	1	Support-Dash, LH
17	112-5809	1	Bracket-PTO
18	112-0444	1	Hood
19	112-0906	1	Screw-HWHTF
20	112-0381	1	Grill
21	112-0597	1	Bolt-Shoulder
22	112-0555	1	Bracket-Pivot
23	112-0727	1	Bracket-Pivot, Hood (RH)
24	112-0726	1	Bracket-Pivot, Hood (LH)

Ref	Part No.	Qty.	Description
25	112-3736	1	Bracket-Support, Hood
26	112-0678	1	Rod-Support
27	112-0321	1	Cap-Fuel
28	112-0414	1	Tank-Fuel, 3 Gallon
29	112-5814	1	Plenum-Hood
30	112-0447	1	Lens-RH
31	112-0446	1	Lens-LH
32	112-5810	1	Reflector-RH
33	112-5811	1	Reflector-LH
34	112-0408	1	Socket-Headlight
35	112-0402	1	Lamp-12V, Miniature
36	112-0411	1	Switch-Electric, PTO
37	112-0336	1	Meter-Indicator, Systems
38	112-0310	1	Cable Control ASM (W/Choke Knob)
39	112-0403	1	Cable-Throttle
40	112-0865	1	Module-Switch, Ignition
41	112-0312	1	Key-Ignition
42	112-0480	1	Harness-Headlight
43	112-5815	1	Harness-Wiring
44	112-1272	1	Decal-Throttle, Dash
45	112-1286	1	Decal-Hood, Left Side
46	112-1285	1	Decal-Hood, Toro
47	112-1287	1	Decal-Hood, Right Side



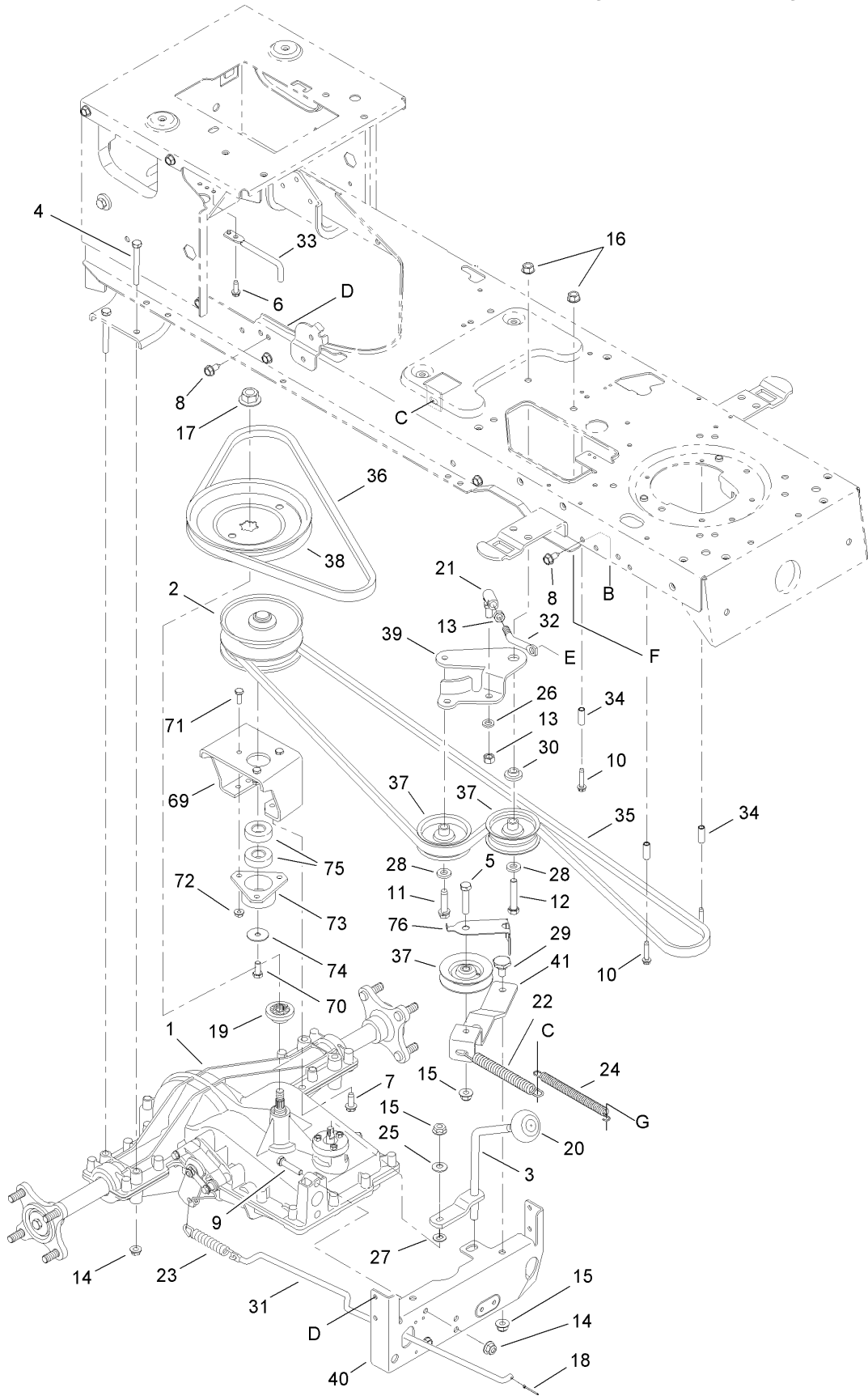


### Fuel Tank and Hood Assembly (continued)

Ref	Part No.	Qty.	Description
48	112-5921	1	Relay
49	112-5943	1	Fuse-20 Amp

--	--	--	--

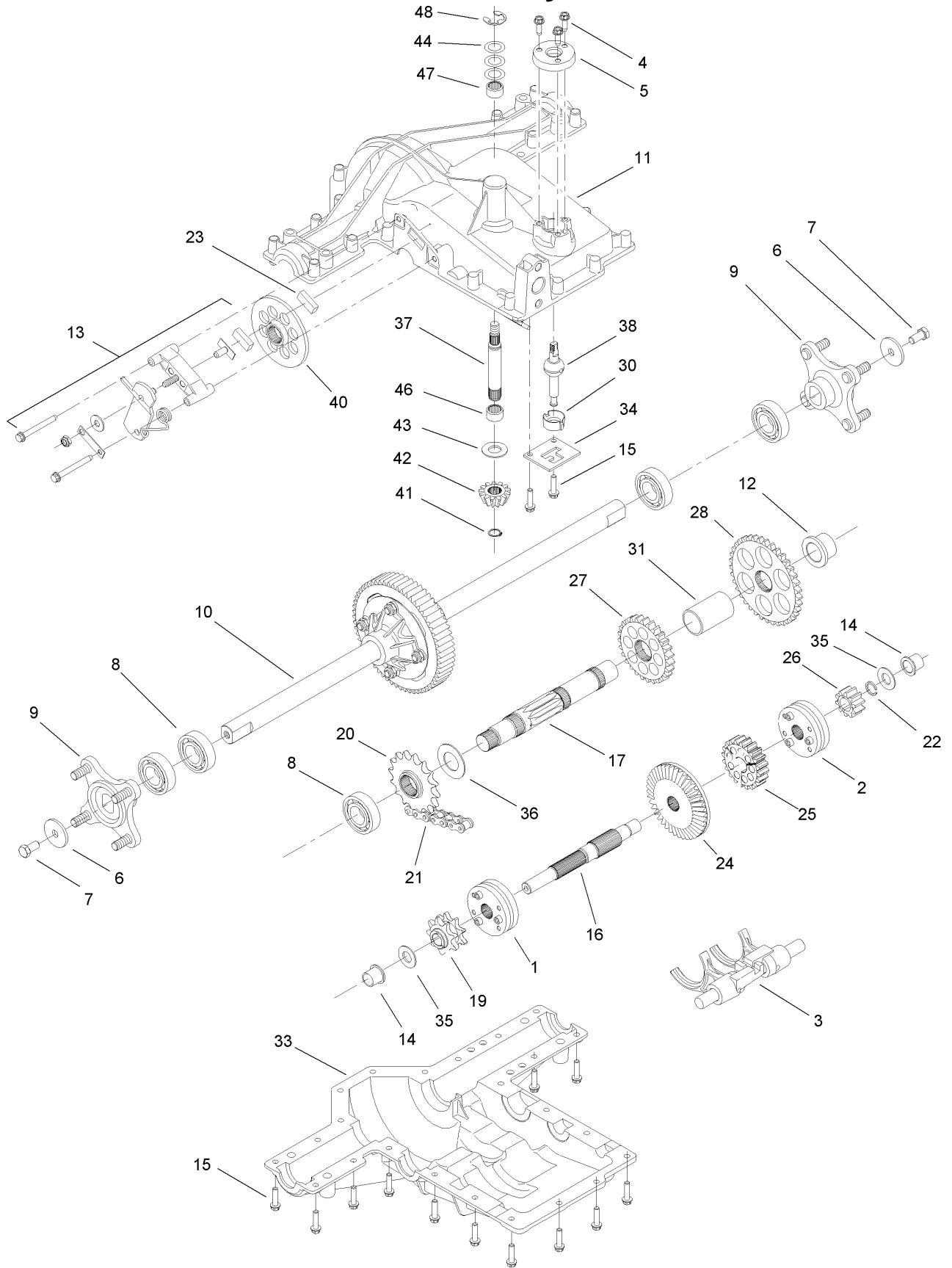
# Transmission, Belt and Pulley Assembly



# Transmission, Belt and Pulley Assembly

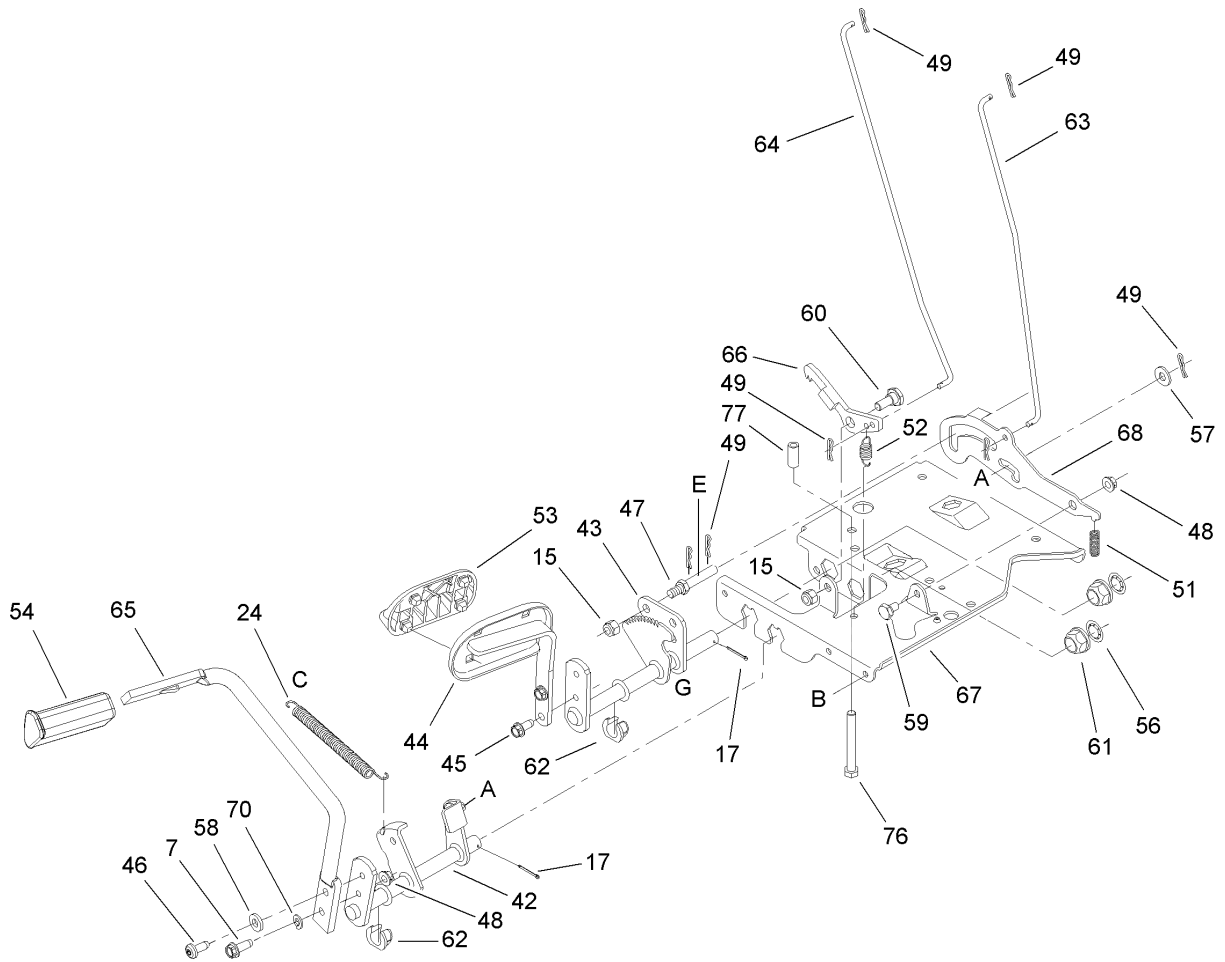
Ref	Part No.	Qty.	Description				
1	112-0558	1	Transmission ASM				
2	112-5854	1	Variable Speed Pulley ASM				
3	112-0693	1	Shift Rod ASM				
4	112-0714	1	Screw-Hex				
5	112-0513	1	Screw-HH				
6	112-0587	1	Screw-HH, TAP				
7	112-0404	1	Screw-HWHTF				
8	112-0472	1	Screw-HH, TAP				
9	112-0594	1	Screw-HH				
10	112-0603	1	Screw-HH				
11	112-0469	1	Screw-HH, TAP				
12	112-0700	1	Screw-HH				
13	112-0343	1	Nut-Hex				
14	112-0650	1	Nut-Lock, Flange				
15	112-0668	1	Nut-Lock, Flange				
16	112-0385	1	Nut-Lock, Flange				
17	112-0605	1	Nut-Flange W/Hub				
18	112-0354	1	Pin-Cotter				
19	112-0619	1	Hub-Pulley				
20	112-0514	1	Knob-Shift				
21	112-0306	1	Ball Joint ASM				
22	112-0369	1	Spring				
23	112-0350	1	Spring-Extension				
24	112-0348	1	Spring-Extension				
25	112-0660	1	Washer-Spring				
26	112-0415	1	Washer-Lock				
27	112-0664	1	Washer-Flat				
28	112-0544	1	Washer-Flat				
29	112-0328	1	Bolt-Shoulder				
30	112-0345	1	Spacer-Shoulder				
31	112-0692	1	Rod-Brake				
32	112-0538	1	Rod-Adjustment, Idler				
33	112-0712	1	Rod-Guard, Belt (Transmission)				
34	112-0644	1	Spacer				
35	112-0301	1	Belt-Drive, Variable Speed				
36	112-0305	1	Belt-Drive, Transmission				
37	112-0313	1	Pulley-Idler, Flat				
38	112-0461	1	Pulley-Transmission (W/Hubs)				
39	112-0525	1	Bracket-Idler, Center Double				
40	112-0711	1	Bracket-Transmission				
41	112-0548	1	Bracket-Idler				
69	112-0842	1	Bracket				
70	112-0551	1	Screw-HH				
71	112-0499	1	Screw-HH				
72	112-0657	1	Nut-Lock, Flange				
73	112-0520	1	Cup-Bearing				
74	112-0500	1	Washer-Flat				
75	112-0423	1	Bearing-Ball				
76	112-5883	1	Guide-Belt, Traction				

# Transmission Assembly No. 112-0558



# Transmission Assembly No. 112-0558

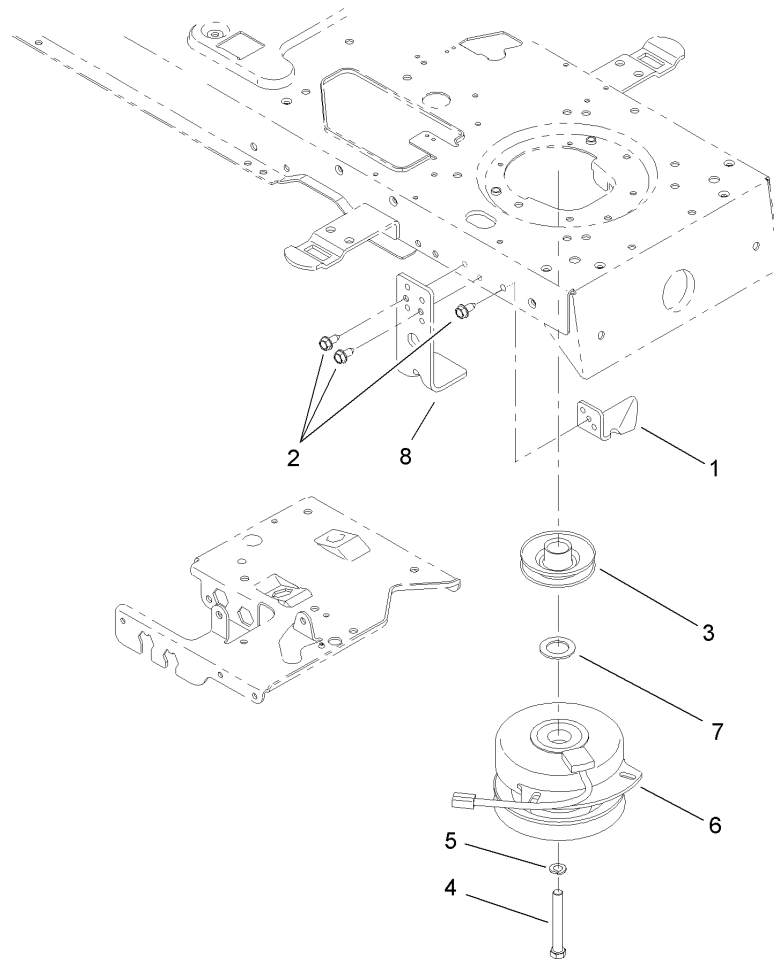
Ref	Part No.	Qty.	Description				
1	112-0763	1	Collar ASM				
2	112-0739	1	Hi-Lo Collar ASM				
3	112-0785	1	Shift Fork ASM				
4	112-0587	1	Screw-HH, TAP				
5	112-0783	1	Cover-Shift				
6	112-0534	1	Washer-Flat				
7	112-0768	1	Screw-HH				
8	112-0775	1	Bearing-Ball				
9	112-0738	1	Wheel Hub ASM				
10	112-5930	1	Differential Axle ASM				
11	112-5931	1	Housing-Upper				
12	112-5932	1	Bearing-Flanged				
13	112-0747	1	RH Brake ASM				
14	112-0764	1	Bearing-Flange (W/Key)				
15	112-0566	1	Screw-TAP				
16	112-0766	1	Shaft-Drive				
17	112-0742	1	Shaft-Output, RH				
19	112-5933	1	Sprocket-9T				
20	112-0772	1	Sprocket-16T				
21	112-5934	1	Chain-Link, 22				
22	112-0736	1	Ring-Snap				
23	112-0741	1	Puck-Brake				
24	112-0754	1	Gear-Spur 41T				
25	112-0765	1	Gear-Spur 20T				
26	112-0753	1	Gear-Spur 10T				
27	112-5935	1	Gear-Spur, 27T				
28	112-5936	1	Gear-Spur, 37T				
30	112-5937	1	Insert-Shifter				
31	112-5938	1	Cover-Shifter				
33	112-5942	1	Housing-Lower				
34	112-0758	1	Plate-Lockout				
35	112-0750	1	Washer-Flat				
36	112-5939	1	Washer-Flat				
37	112-0740	1	Shaft-Input				
38	112-5940	1	Lever-Shift				
40	112-0752	1	Brake-Disc, 43T				
41	112-0733	1	Ring-Snap				
42	112-0784	1	Gear-Bevel, 13T				
43	112-0814	1	Washer-Thrust				
44	112-0745	1	Washer-Flat				
44	112-0748	1	Washer-Flat				
44	112-0750	1	Washer-Flat				
46	112-0808	1	Bearing-Needle				
47	112-5941	1	Bearing-Needle				
48	112-0756	1	Ring-E				



## Brake and Traction Assembly

Ref	Part No.	Qty.	Description
7	112-0404	1	Screw-HWHTF
15	112-0668	1	Nut-Lock, Flange
17	112-0568	1	Pin-Cotter
24	112-0348	1	Spring-Extension
42	112-0648	1	Brake Control ASM
43	112-0539	1	Speed Control ASM
44	112-0680	1	Pedal ASM
45	112-0395	1	Screw-HWH
46	112-0563	1	Screw-TAP
47	112-0599	1	Pin
48	112-0511	1	Nut-Lock, Flange
49	112-0459	1	Pin-Cotter
51	112-0506	1	Spring
52	112-0510	1	Spring-Extension
53	112-0543	1	Pad-Pedal
54	112-0530	1	Pad-Brake
56	112-0339	1	Washer-Flat
57	112-0541	1	Washer-Flat
58	112-0579	1	Washer-Flat
59	112-0552	1	Bracket-Torque
60	112-0442	1	Bolt-Shoulder
61	112-0347	1	Bearing-Flange
62	112-0387	1	Bearing-Flange, Hex (Split)
63	112-0675	1	Rod-Brake, Lock Control

Ref	Part No.	Qty.	Description
64	112-0662	1	Rod-Control, Cruise
65	112-3738	1	Pedal-Brake
66	112-0696	1	Latch-Cruise
67	112-0681	1	Bracket-Support, Steering
68	112-0679	1	Bracket-Lockout
70	112-0366	1	Washer-Lock
76	112-0700	1	Screw-HH
77	112-0433	1	Spacer

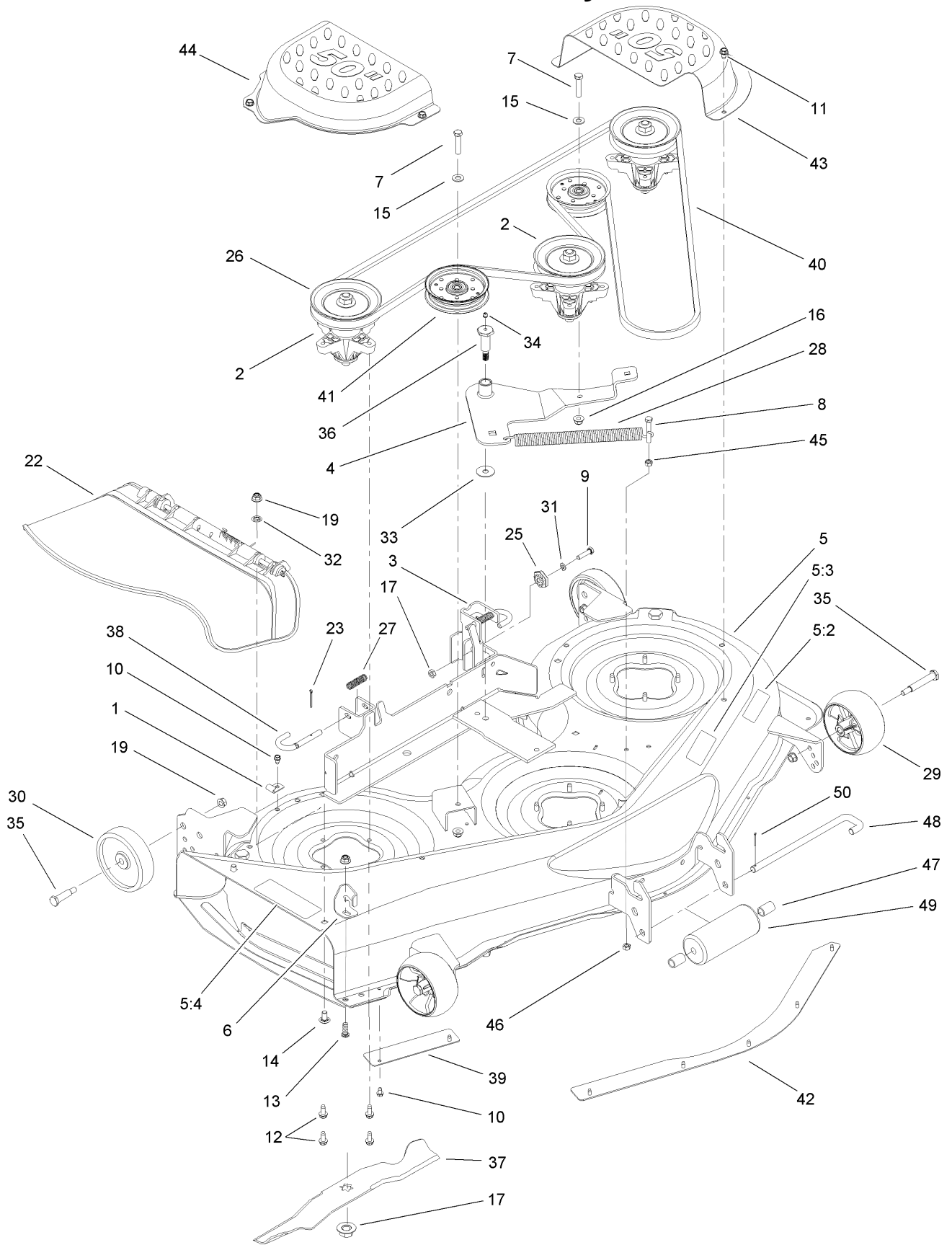


## Electric Clutch Assembly

Ref	Part No.	Qty.	Description
1	112-0571	1	Bracket-Clutch
2	112-0472	1	Screw-HH, TAP
3	112-0322	1	Pulley-Engine
4	112-0561	1	Screw-HH
5	112-0428	1	Washer-Lock
6	112-0913	1	Clutch-Electric, PTO
7	112-0420	1	Washer-Flat
8	112-0689	1	Bracket-Deck, Up Stop

--	--	--	--

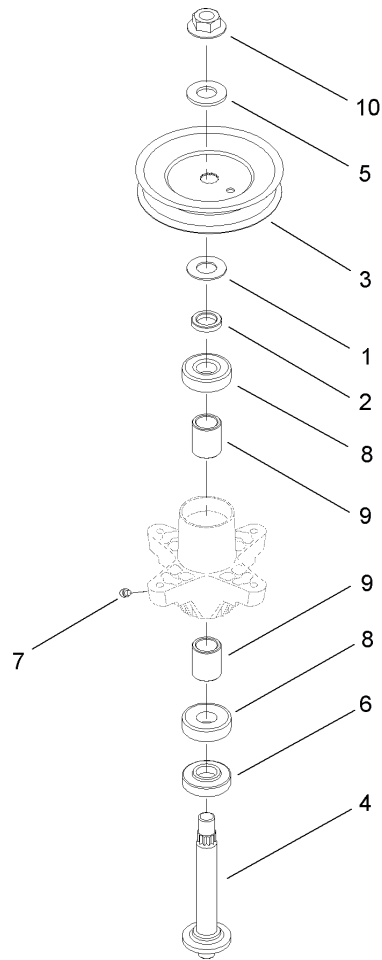
# Deck Assembly





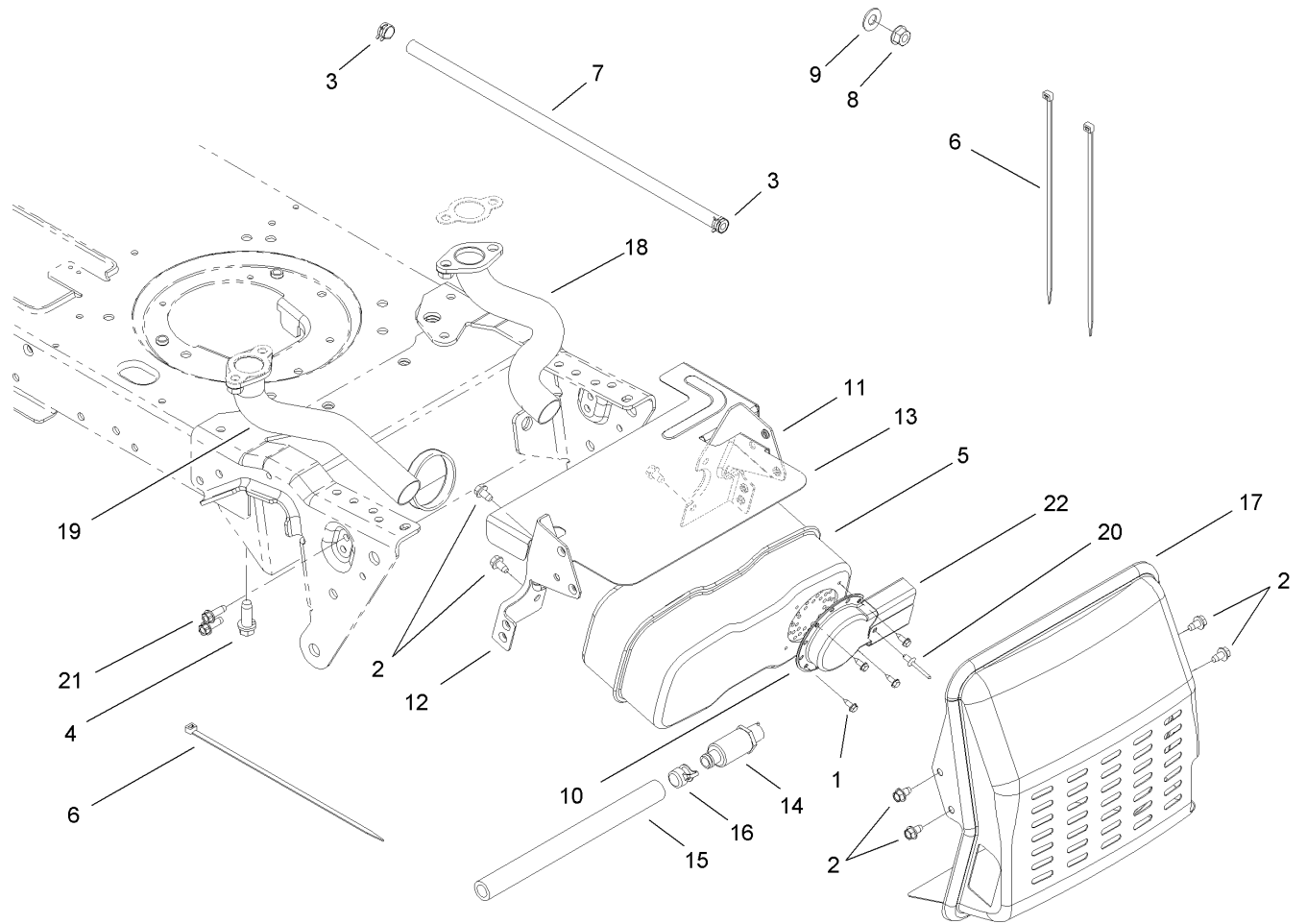
# Deck Assembly

Ref	Part No.	Qty.	Description				
1	112-0378	1	Bracket-Retain, Hook				
2	112-0370	1	Spindle ASM				
3	112-0413	1	LH Hanger Bracket ASM				
4	112-0702	1	Idler ASM				
5	112-5859	1	Deck And Decal ASM				
5:2	112-1268	1	Decal-Danger, Deck				
5:3	112-1273	1	Decal-Belt Routing, Deck				
5:4	112-1265	1	Decal-Danger				
6	112-0854	1	Stop-Chute				
7	112-0513	1	Screw-HH				
8	112-0590	1	Screw-HH				
9	112-0373	1	Screw-HH				
10	112-0524	1	Screw-HWHTF				
11	112-0472	1	Screw-HH, TAP				
12	112-0395	1	Screw-HWH				
13	112-0631	1	Screw-HH				
14	112-0452	1	Bolt-CARR				
15	112-0572	1	Washer-Flat				
16	112-0668	1	Nut-Lock, Flange				
17	112-0330	1	Nut-Flange, Hex				
19	112-0385	1	Nut-Lock, Flange				
22	112-0533	1	Chute ASM				
23	112-0412	1	Pin-Cotter				
25	112-0327	1	Gear-Adjustment, Deck				
26	112-0505	1	Pulley-Deck				
27	112-0406	1	Spring-Compression				
28	112-0349	1	Spring				
29	112-0677	1	Wheel-Deck				
30	112-0337	1	Wheel				
31	112-0366	1	Washer-Lock				
32	112-0623	1	Retainer-Bolt				
33	112-0564	1	Washer-Flat				
34	112-0926	1	Fitting-Grease				
35	112-0334	1	Bolt-Shoulder				
36	112-5836	1	Bolt-Shoulder				
37	112-0316	1	Blade-17.90 Inch				
38	112-0436	1	Pin-Handle, Deck Release				
39	112-0612	1	Skirt-RH				
40	112-0332	1	Belt-V, Type B				
41	112-0314	1	Pulley-Idler				
42	112-5837	1	Skirt-Center				
43	112-0614	1	Cover-Belt, LH				
44	112-0618	1	Cover-Belt, RH				
45	112-0437	1	Nut-Hex				
46	112-0650	1	Nut-Lock, Flange				
47	112-0691	1	Spacer				
48	112-5839	1	Pin-Roller				
49	112-5840	1	Roller				
50	112-5841	1	Pin-Cotter				



## Spindle Assembly No. 112-0370

Ref	Part No.	Qty.	Description	
1	112-5925	1	Washer-Flat	
2	112-0600	1	Spacer	
3	112-5926	1	Pulley	
4	112-0884	1	Shaft-Spindle, Blade (Star)	
5	112-0921	1	Washer-Flat	
6	112-0721	1	Spacer	
7	112-0926	1	Fitting-Grease	
8	112-0377	1	Bearing-Ball	
9	112-0389	1	Spacer	
10	112-0330	1	Nut-Flange, Hex	

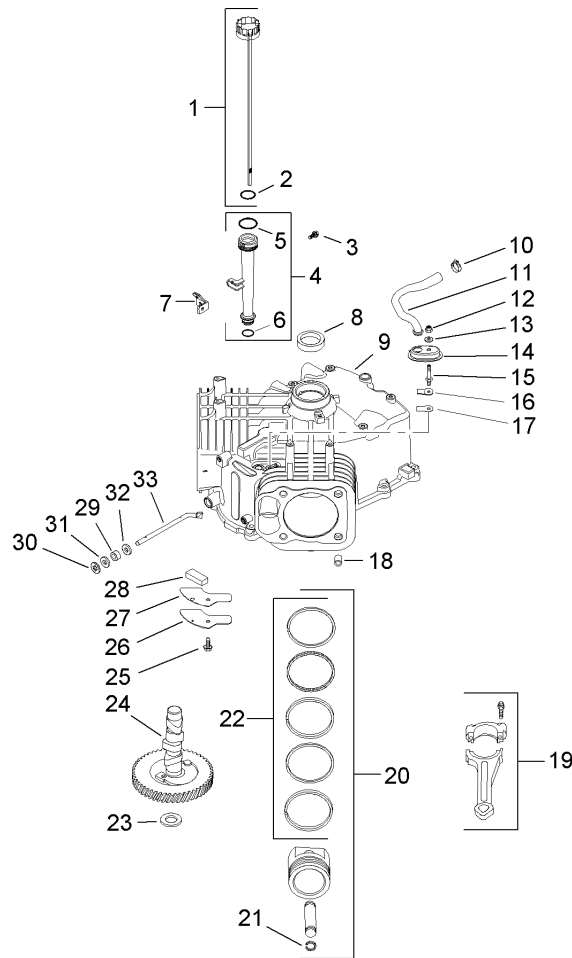


## Muffler Assembly

Ref	Part No.	Qty.	Description
1	112-0626	1	Screw-HWHTF
2	112-0524	1	Screw-HWHTF
3	112-0573	1	Clamp-Hose
4	112-0487	1	Screw-TAP
5	112-0342	1	Muffler-Inlet, Dual
6	112-0527	1	Tie-Cable
7	112-0720	1	Hose-Fuel
8	112-0490	1	Nut-Lock, Flange
9	112-0572	1	Washer-Flat
10	112-0453	1	Deflector-Muffler
11	112-0467	1	Bracket-Muffler, LH
12	112-0466	1	Bracket-Muffler, RH
13	112-0716	1	Shield-Heat
14	112-0388	1	Drain-Oil
15	112-0553	1	Hose-Drain
16	112-0397	1	Cap-Drain, Oil
17	112-0457	1	Muffler Shield ASM
18	112-0391	1	Pipe-Exhaust, LH
19	112-0392	1	Pipe-Exhaust, RH
20	112-3741	1	Rivet-Pop
21	112-0587	1	Screw-HH, TAP
22	112-0730	1	Deflector-Muffler, Long

--	--	--	--

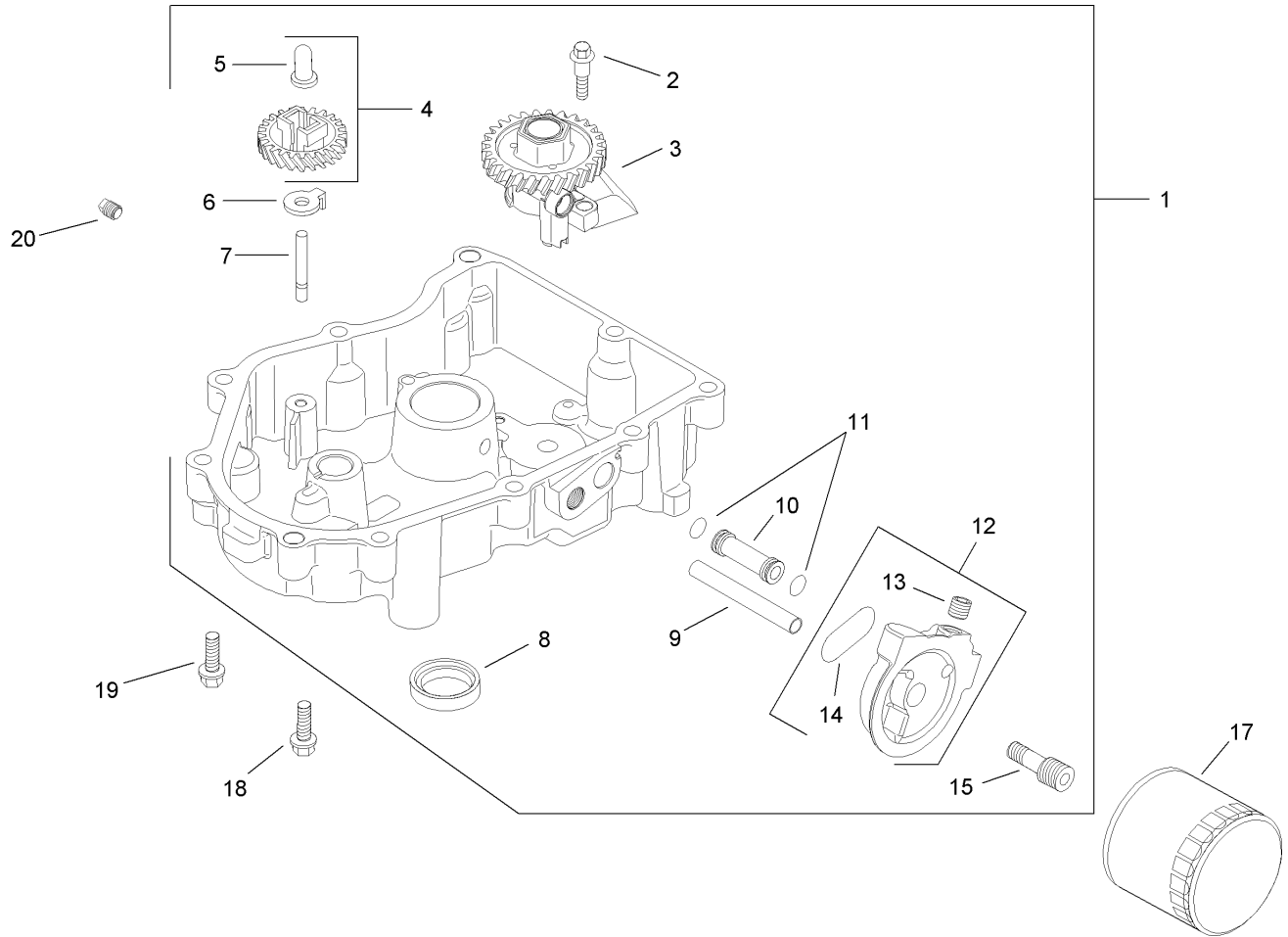




## Crankcase Assembly Kohler SV720-0017

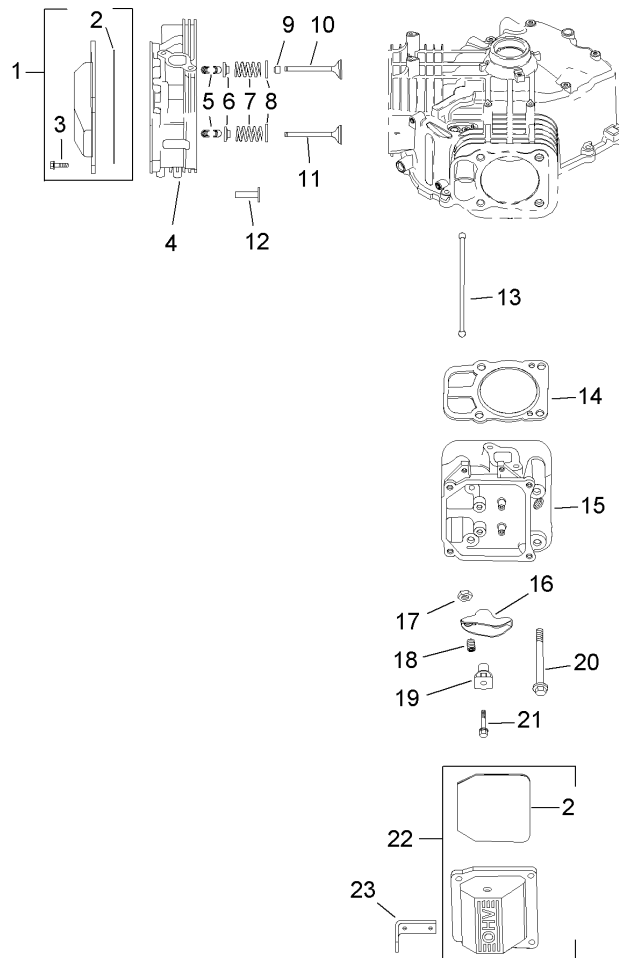
Ref	Part No.	Qty.	Description
❶	32 038 01-S	1	Dipstick Kit (Includes 2)
❷	12 153 03-S	1	O-Ring
❸	M-545016-S	1	Screw-HHFTF (M5X0.8X16)
❹	12 123 04-S	1	Oil Fill Tube ASM (Includes 5-6)
❺	12 153 02-S	1	O Ring-Upper Oil Fill Tube
❻	12 153 01-S	1	O-Ring-Lower Oil Fill Tube
❼	24 126 19-S	1	Bracket-Oil Fill Tube
❽	24 032 01-S	1	Seal-Oil
❾		1	Crankcase (Use: Short Block # 32 522 03)
❿	25 237 14-S	1	Clamp-Hose
⓫	32 326 04-S	1	Hose-Breather
⓬	M-547050-S	1	Nut-Hex, Lock (M5X0.8)
⓭	32 468 01-S	1	Washer-Sealing
⓮	32 081 02-S	1	Housing-Breather
⓯	32 072 02-S	1	Stud-Breather Cover
⓰	24 018 04-S	1	Retainer-Breather Reed
⓱	24 402 05-S	1	Reed-Breather
⓲	24 380 16-S	6	Pin-Locating
⓳	24 067 13-S	2	Rod-Connecting (Standard)
⓴	32 874 06-S	2	Piston W/Ring Set (Standard) (Includes 21-22)
⓵	24 018 01-S	4	Retainer-Piston, Pin
⓶	24 108 11-S	2	Ring Set (STD And .08)

Ref	Part No.	Qty.	Description
⓷	12 422 10-S	1	Shim-Camshaft (Yellow .034)
⓸	12 422 09-S	1	Shim-Camshaft (Red .032)
⓹	12 422 13-S	1	Shim-Camshaft (Black .04)
⓺	12 422 07-S	1	Shim-Camshaft (White .028)
⓻	12 422 08-S	1	Shim-Camshaft (Blue .03)
⓼	12 422 11-S	1	Shim-Camshaft (Green .036)
⓽	12 422 12-S	1	Shim-Camshaft (Gray .038)
⓿	32 012 01-S	1	Camshaft Kit
⓾	M-645016-S	1	Screw-HHFTF (M6X1.0X16)
⓿	32 096 04-S	1	Breather Cover ASM
⓿	32 041 01-S	1	Gasket-Cover, Breather
⓿	32 050 01-S	1	Filter-Breather
⓿	28 032 09-S	1	Seal-Shaft, Cross Governor
⓿	24 018 09-S	1	Ring-Retainer
⓿	M-931010-S	1	Washer-Flat (8 Mm)
⓿	24 468 15-S	1	Washer-Flat (1/4)
⓿	24 144 38-S	1	Shaft-Cross, Governor



## Oil Pan and Lubrication Assembly Kohler SV720-0017

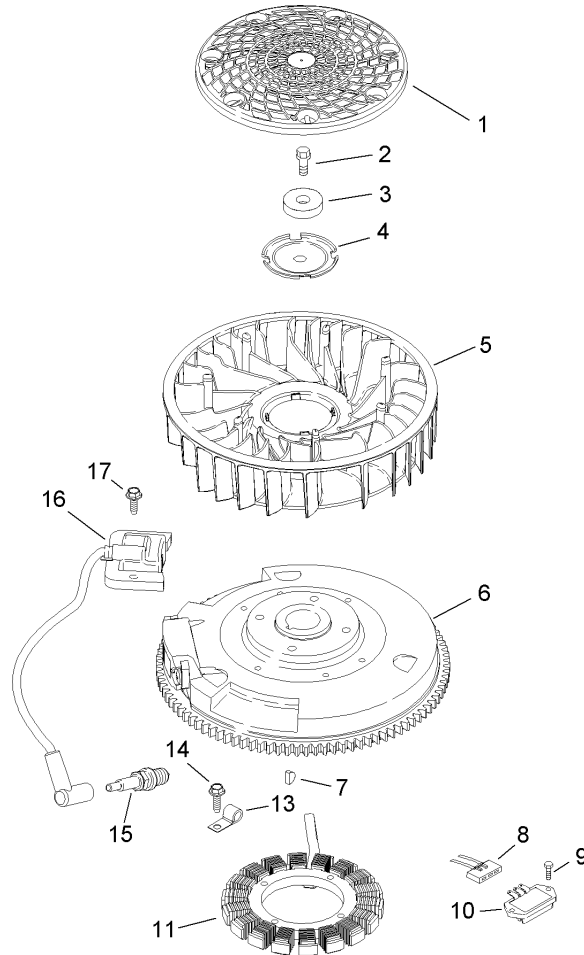
Ref	Part No.	Qty.	Description
❶	32 199 02-S	1	Oil Pan ASM (Includes 2-15)
❷	32 086 01-S	2	Screw-Hex Flange Thread Forming (Shoulder)
❸	32 393 08-S	1	Oil Pump ASM
❹	24 043 12-S	1	Governor Gear Kit W/Pin (Includes 5)
❺	12 380 01-S	1	Pin-Regulating, Governor
❻	24 448 02-S	1	Tab-Locking
❼	12 144 02-S	1	Shaft-Gear, Governor
❽	52 032 08-S	1	Seal-Oil (PTO End)
❾	32 123 01-S	1	Tube-Oil Feed (Filter To Oil Pan)
❿	32 123 03-S	1	Tube-Oil Feed (Oil Pan To Filter)
⓫	24 153 01-S	2	O-Ring
⓬	32 029 07-S	1	Adapter-Oil Filter (Includes 13-14)
⓭	25 139 60-S	1	Plug-Hex, Countersunk (1/8)
⓮	32 153 02-S	1	O-Ring-Oil Filter Adapter
⓯	32 136 03-S	1	Nipple-Oil Filter
⓰	98020	1	Filter-Oil
⓱	24 086 17-S	1	Screw-HF (M8X1.25X45)
⓲	24 086 16-S	9	Screw-HF (M8X1.25X45)
⓳	25 139 57-S	1	Plug-Square Head Solid (3/8)

## Head, Valve and Breather Assembly Kohler SV720-0017

Ref	Part No.	Qty.	Description
❶1	24 755 141-S	1	Plain Valve Cover ASM (Includes 2-3)
❶2	24 153 28-S	1	O-Ring
❶3	M-651030-S	8	Screw-Hex Flange (M6X1.0X30)
❶4	32 318 01-S	1	Head ASM (No.1 Cylinder)
❶5	12 755 03-S	8	Retainer Kit
❶6	12 173 01-S	4	Cap-Spring, Valve
❶7	24 089 02-S	4	Spring-Valve
❶8	235011-S	4	Retainer-Spring
❶9	66 032 05-S	2	Seal-Stem, Valve
❶10	24 017 01-S	2	Valve-Intake (Standard)
❶10	24 017 02-S	2	Valve-Intake (.25)
❶11	24 016 01-S	2	Valve-Exhaust (Standard)
❶11	24 016 02-S	2	Valve-Exhaust (.25)
❶12	32 019 01-S	4	Tappet
❶13	32 411 02-S	4	Rod-Push
❶14	24 841 03-S	2	Cylinder Head Gasket Kit
❶15	32 318 02-S	1	Head ASM (No.2 Cylinder)
❶16	32 186 02-S	4	Arm-Rocker
❶17	32 100 04-S	4	Nut-Hex (M10X0.75)
❶18	32 086 03-S	4	Screw-Set
❶19	32 599 01-S	4	Pivot-Rocker Arm
❶20	12 086 16-S	8	Screw-Hex Flange (M10X1.5X90)
❶21	32 086 04-S	4	Screw-Hex Flange (M6X1.0X45)

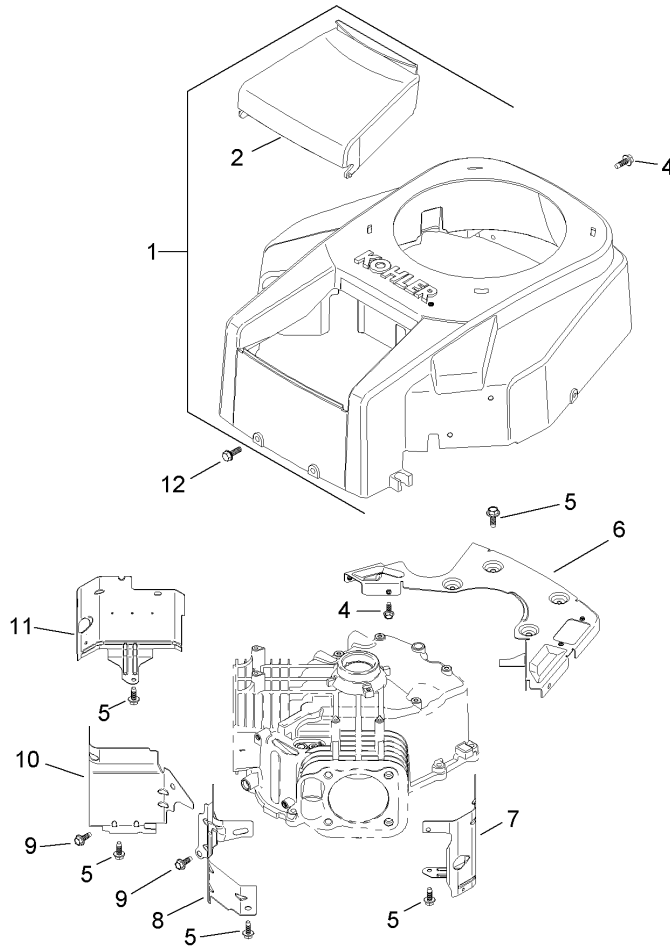
Ref	Part No.	Qty.	Description
❶22	32 096 06-S	1	Breather Valve Cover ASM (Includes 2)
❶23	24 445 01-S	1	Strap-Lifting
❶24	24 041 49-S	1	Gasket-Manifold, Exhaust
❶25	24 153 27-S	1	O-Ring, Intake Port



## Ignition and Electrical Assembly Kohler SV720-0017

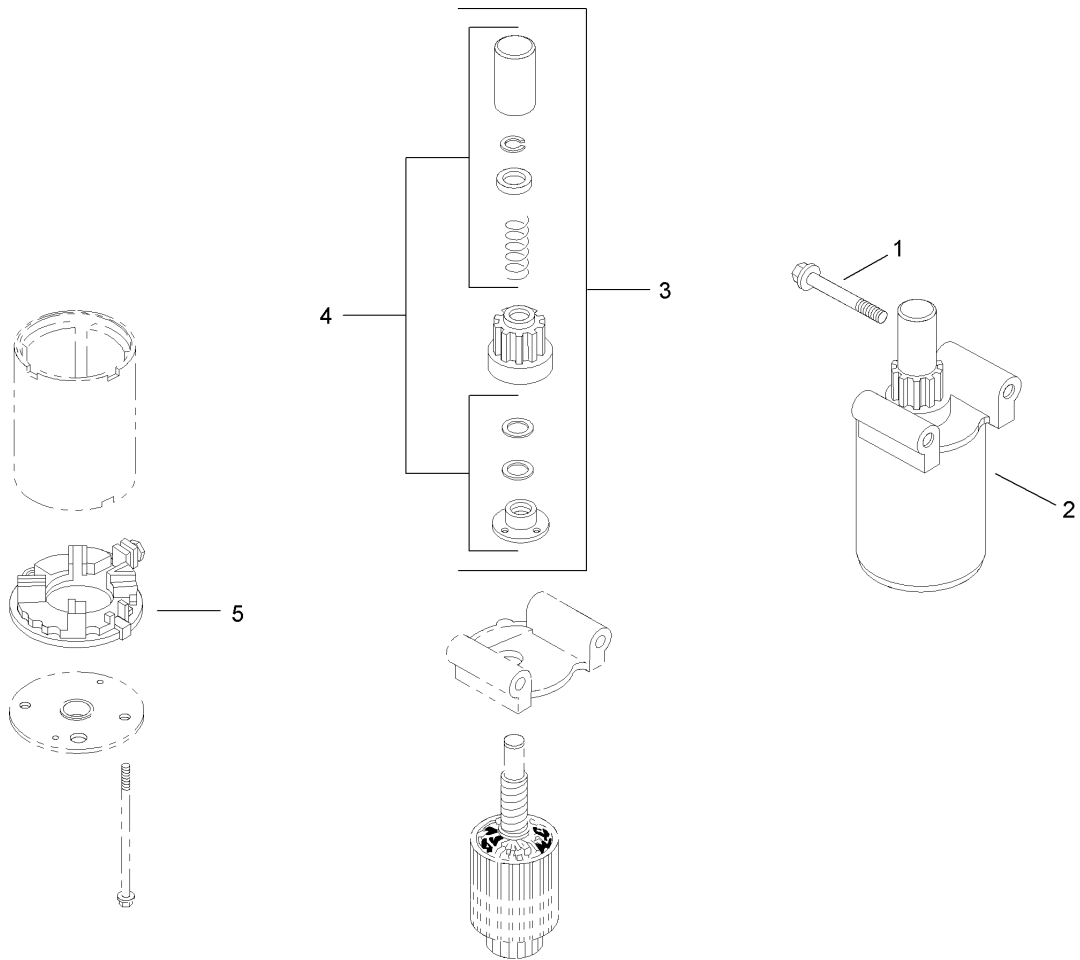
Ref	Part No.	Qty.	Description				
1	32 162 03-S	1	Screen-Grass				
2	12 086 14-S	1	Screw-Hex, Flange (M10X1.5X45)				
3	12 468 03-S	1	Washer-Flat (3/8)				
4	20 146 02-S	1	Plate-Fan Mounting				
5	32 157 01-S	1	Fan				
6	32 025 08-S	1	Flywheel				
7	X-42-15-S	1	Key (3/16 X 5/8)				
8	236602-S	1	Connector (3 Contact)				
9	M-551016-S	2	Screw-Heavy Hex Flange (M5X0.8X16)				
10	41 403 09-S	1	Rectifier-Regulator				
11	32 085 01-S	1	15 Amp Stator Kit				
12	235173-S	1	Clip-Cable				
13	M-548025-S	2	Screw-HHFTF (M5X0.8X25)				
14	77-7330	1	Plug-Spark				
15	24 584 01-S	2	Module-Ignition				
16	M-545020-S	4	Screw-HHFTF (M5X0.8X20)				
17	32 176 04-S	1	Harness-Wiring				
18	25 454 03-S	2	Tie-Wire				
19							





## Blower Housing and Baffle Assembly Kohler SV720-0017

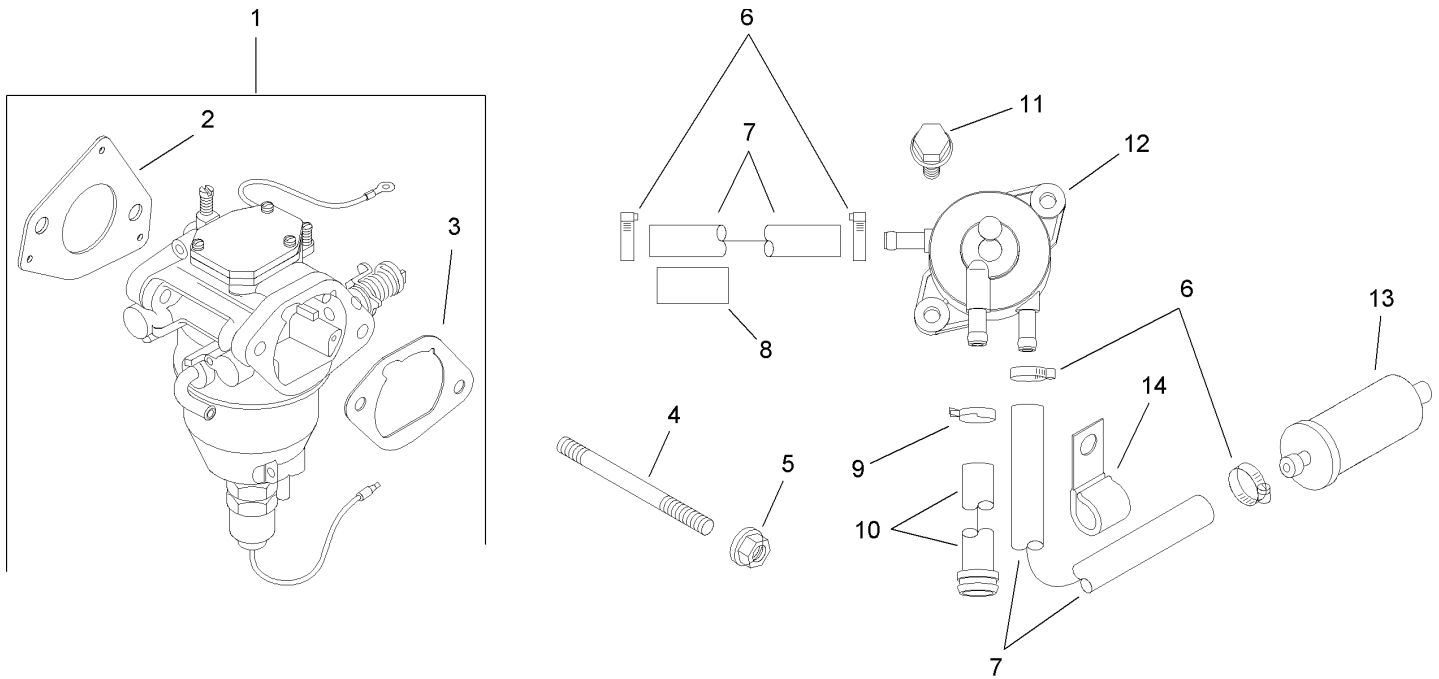
Ref	Part No.	Qty.	Description				
1	32 027 03-S	1	Housing-Blower (Includes 2 And 41 037 10-S)				
2	32 096 08-S	1	Cover-Cleaner, Air				
4	M-545016-S	6	Screw-HHFTF (M5X0.8X16)				
5	M-645016-S	8	Screw-HHFTF (M6X1.0X16)				
6	32 146 05-S	1	Plate-Backing W/Rectifier-Regulator Opening				
7	32 063 05-S	1	Baffle-Cylinder Barrel (No.2 Side)				
8	32 063 02-S	1	Baffle-Valley (No.2 Side)				
9	M-545010-S	2	Screw-HHFTF (M5X0.8X10)				
10	32 063 03-S	1	Baffle-Valley (No.1 Side)				
11	32 063 06-S	1	Baffle-Cylinder Barrel (No.1 Side)				
12	24 086 12-S	2	Screw-Hex Cap (M6X1.7X18)				
13	41 037 10-S	1	Nameplate-Service				



## Starting System Assembly Kohler SV720-0017

Ref	Part No.	Qty.	Description
❶	M-839080-S	2	Screw-Hex, Flange (M8X1.25X70)
❷	32 098 01-S	1	Starter ASM (Includes 3-5)
❸	12 755 39-S	1	Drive Kit
❹	12 755 38-S	1	Drive Parts Kit
❺	12 243 04-S	1	Cap-End, Commutator

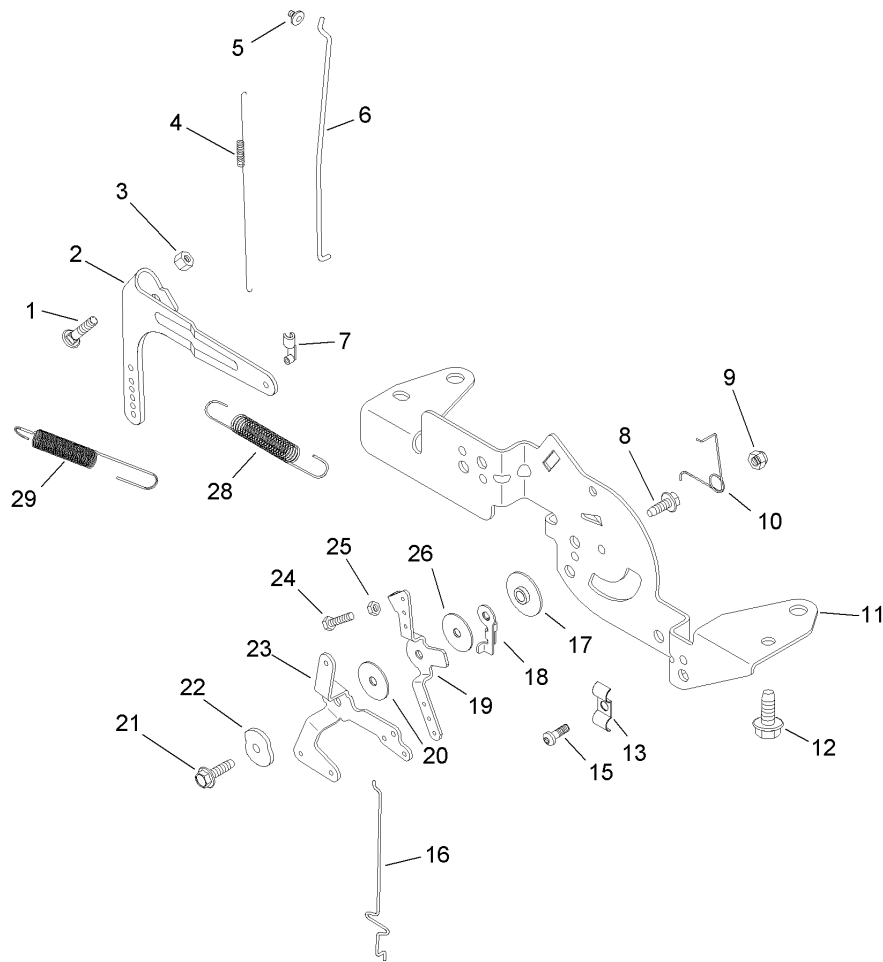
--	--	--	--



## Fuel System Assembly Kohler SV720-0017

Ref	Part No.	Qty.	Description
1	32 853 03-S	1	Carburetor Kit W/Gaskets (Includes 2-3)
2	24 041 52-S	1	Gasket-Carburetor
3	24 041 14-S	1	Gasket-Base, Air Cleaner
4	M-629105-S	2	Stud-Carburetor
5	M-641060-S	2	Nut-Hex, Flange (M6X1.0)
6	25 237 14-S	4	Clamp-Hose
7	25 111 34-S	2	Line-Fuel (24 Inch, Cut to needed Length)
8	25 431 10-S	1	Sleeve-Anti-Abrasion
9	25 237 01-S	1	Clamp-Hose
10	32 326 02-S	1	Hose-Pump, Fuel
11	24 086 12-S	2	Screw-Hex Cap (M6X1.7X18)
12	24 393 16-S	1	Pump-Pulse, Fuel
13	98021	1	Filter-Fuel
14	47 154 01-S	1	Clip-Cable
15	24 757 36-S	1	Service Choke Repair Kit
16	24 757 38-S	1	Service Gasket Repair Kit
17	24 757 44-S	1	Float Kit W/Gaskets
18	24 757 45-S	1	Solenoid Valve Kit W/Gaskets
19	24 757 46-S	1	Overhaul Kit W/Gaskets

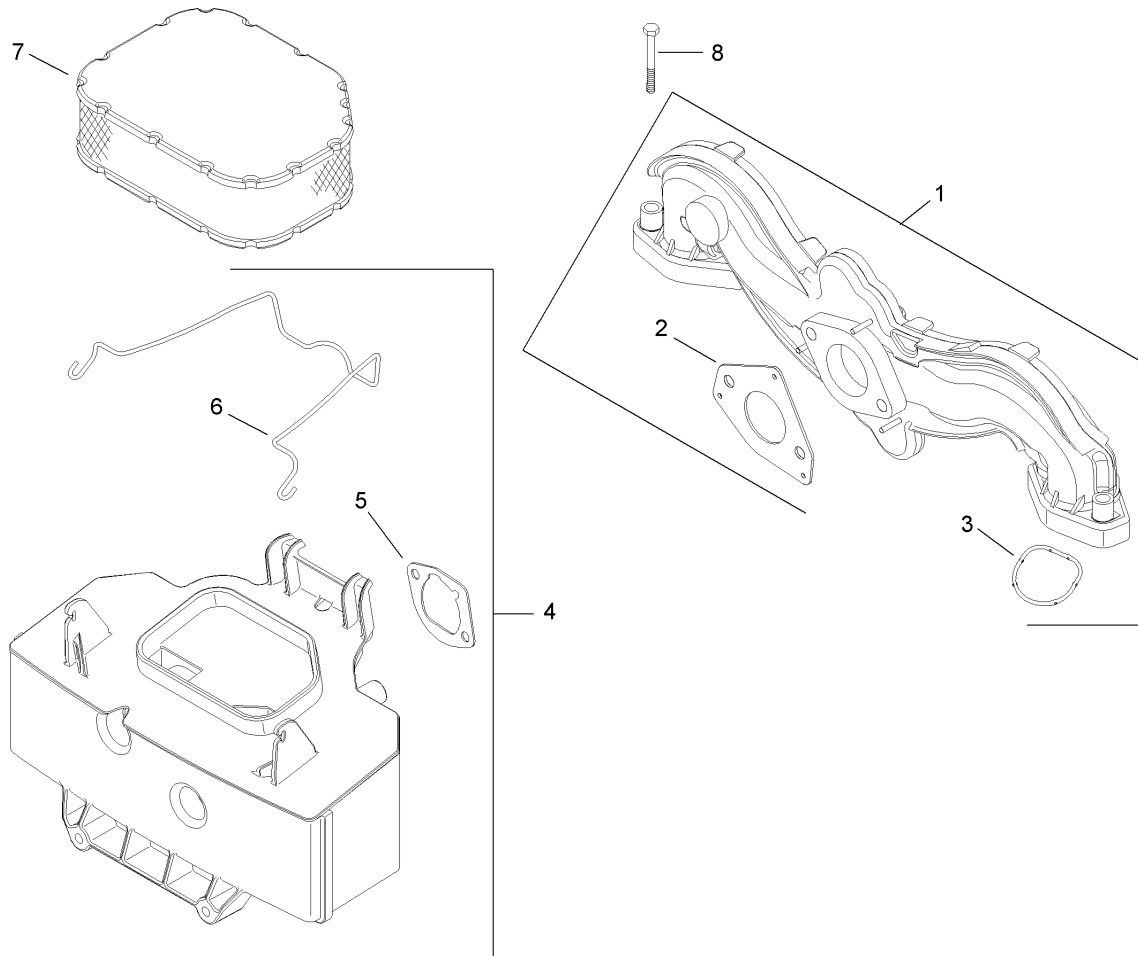
Ref	Part No.	Qty.	Description
20	24 757 18-S	1	Overhaul Kit W/Gaskets
21	24 757 19-S	1	Choke Service Repair Kit
22	24 757 20-S	1	Gasket Service Repair Kit
23	24 757 22-S	1	Solenoid Valve Service Kit W/Gaskets



## Engine Control Assembly Kohler SV720-0017

Ref	Part No.	Qty.	Description
❶	24 211 03-S	1	Bolt-Square Neck, Round Head
❷	24 090 33-S	1	Lever-Governor
❸	M-641060-S	1	Nut-Hex, Flange (M6X1.0)
❹	24 089 01-S	1	Spring-Linkage
❺	25 158 08-S	1	Bushing-Retaining, Linkage
❻	24 079 04-S	1	Linkage-Throttle
❼	25 158 11-S	1	Bushing-Linkage, Throttle
❽	M-545016-S	1	Screw-HHFTF (M5X0.8X16)
❾	M-547050-S	1	Nut-Hex, Lock (M5X0.8)
❿	24 089 03-S	1	Spring-Return, Choke
⓫	24 126 161-S	1	Bracket-Control
⓬	M-645016-S	4	Screw-HHFTF (M6X1.0X16)
⓭	47 237 02-S	1	Clamp-Dual Conduit
⓮	24 086 43-S	1	Screw-Thread Forming
⓯	24 079 22-S	1	Linkage-Choke
⓰	24 112 27-S	1	Spacer-Control
⓱	24 090 47-S	1	Lever-Actuator, Throttle
⓲	24 090 13-S	1	Lever-Control, Throttle
⓳	24 468 01-S	1	Washer-Flat (5.5 Mm)
⓴	M-545020-S	1	Screw-HHFTF (M5X0.8X20)
⓵	41 468 03-S	1	Washer-Spring (1/4)
⓶	24 090 05-S	1	Lever-Choke
⓷	M-403025-S	1	Screw-Hex Head Cap (M4X0.7X25)

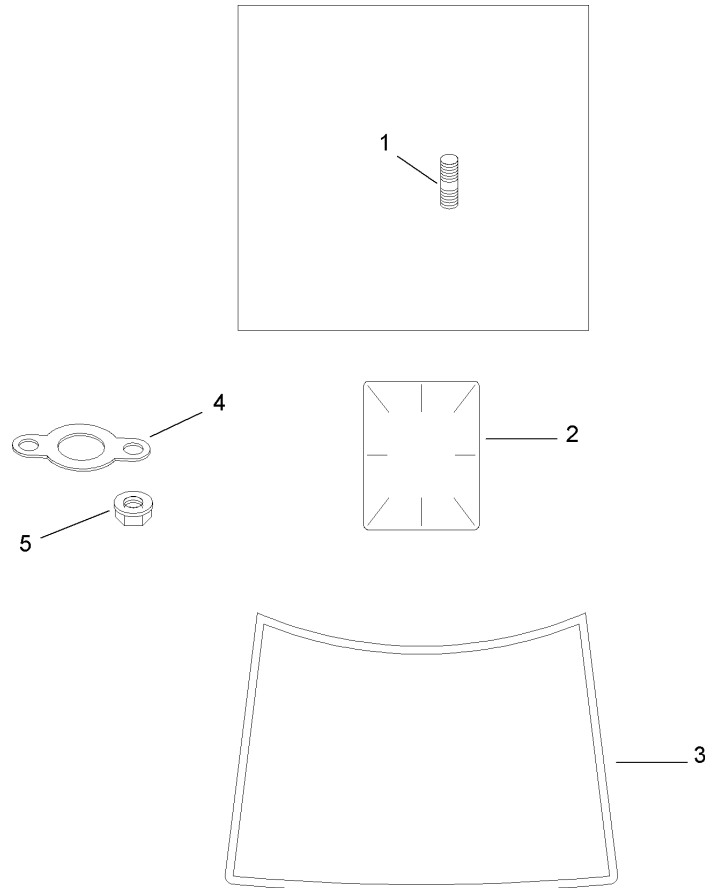
Ref	Part No.	Qty.	Description
⓸	M-446030-S	1	Nut-Hex (M4X0.7)
⓹	24 468 20-S	1	Washer-Flat
⓺	24 089 55-S	1	Spring-Governor
⓻	24 089 25-S	1	Spring-Governor



## Air Intake and Filtration Assembly Kohler SV720-0017

Ref	Part No.	Qty.	Description
❶	24 164 51-S	1	Manifold-Intake (Includes 2-3)
❷	24 041 52-S	1	Gasket-Carburetor
❸	24 153 27-S	2	O-Ring, Intake Port
❹	32 094 03-S	1	Base-Air Cleaner (Includes 5-6)
❺	24 041 14-S	1	Gasket-Base, Air Cleaner
❻	32 344 02-S	1	Latch-Element, Air Cleaner
❼	98019	1	Element-Air Cleaner
❽	M-651040-S	4	Screw-Hex Flange (M6X1.0X40)

--	--	--	--



Artwork is representative.  
Actual labels may differ depending on model and specification number.

## Exhaust Stud, Gasket and Decal Assembly Kohler SV720-0017

Ref	Part No.	Qty.	Description
❶	25 072 04-S	4	Stud (M8X1.25X33)
❷	25 113 39-S	1	Decal-Clear Laminate
❸	32 113 07-S	1	Decal-23 H P
❹	24 041 49-S	1	Gasket-Manifold, Exhaust
❺	M-841080-S	4	Nut-Hex, Flange (M8X1.25)
❶❷	32 522 03	1	Short Block
❶❸	32 755 01-S	1	Overhaul Kit

--	--	--	--

# Attachments and Accessories

## For 14AP80RP544 - GT2100 Garden Tractor

Product Name	Model/Part
Washout Port Kit .....	112-5803
42 Inch Two-Stage Snowthrower .....	190-032-101
50 Inch Triple Bagger .....	190-192-190
46 Inch Front Blade .....	190-833-000
Spark Plug .....	77-7330
50 Inch Mulch Kit .....	77220
10 cu. ft. Dump Cart .....	79901
10 cu. ft. Poly Dump Cart .....	79935
Folding Loading Ramp .....	79949
Sweeper .....	79985
12 Inch Rear Wheel Weights .....	81115
Tire Chains (23 x 9.50-12) .....	82531
Filter-Air .....	98019
Filter-Oil .....	98020
Filter-Fuel .....	98021
Blade Kit (3 Blades, 50 Inch Decks) .....	98024

