



## Bedbar Pivot Kit

### Used on Cutting Units for Reelmaster® 5500 and 6000 Series

Model No. 106-9605

## Parts Catalog

---

### Ordering Replacement Parts

To order replacement parts, please supply the part number, the quantity, and the description of each part desired.

### Understanding Reference Numbers

Each identified part in an illustration has a reference number. The reference number for a part also appears in the parts list, along with other information about the part.

This catalog uses two special reference number formats, one to indicate parts in a service assembly and another to indicate the quantity of a given part in an illustration.

### Service Assembly Reference Numbers

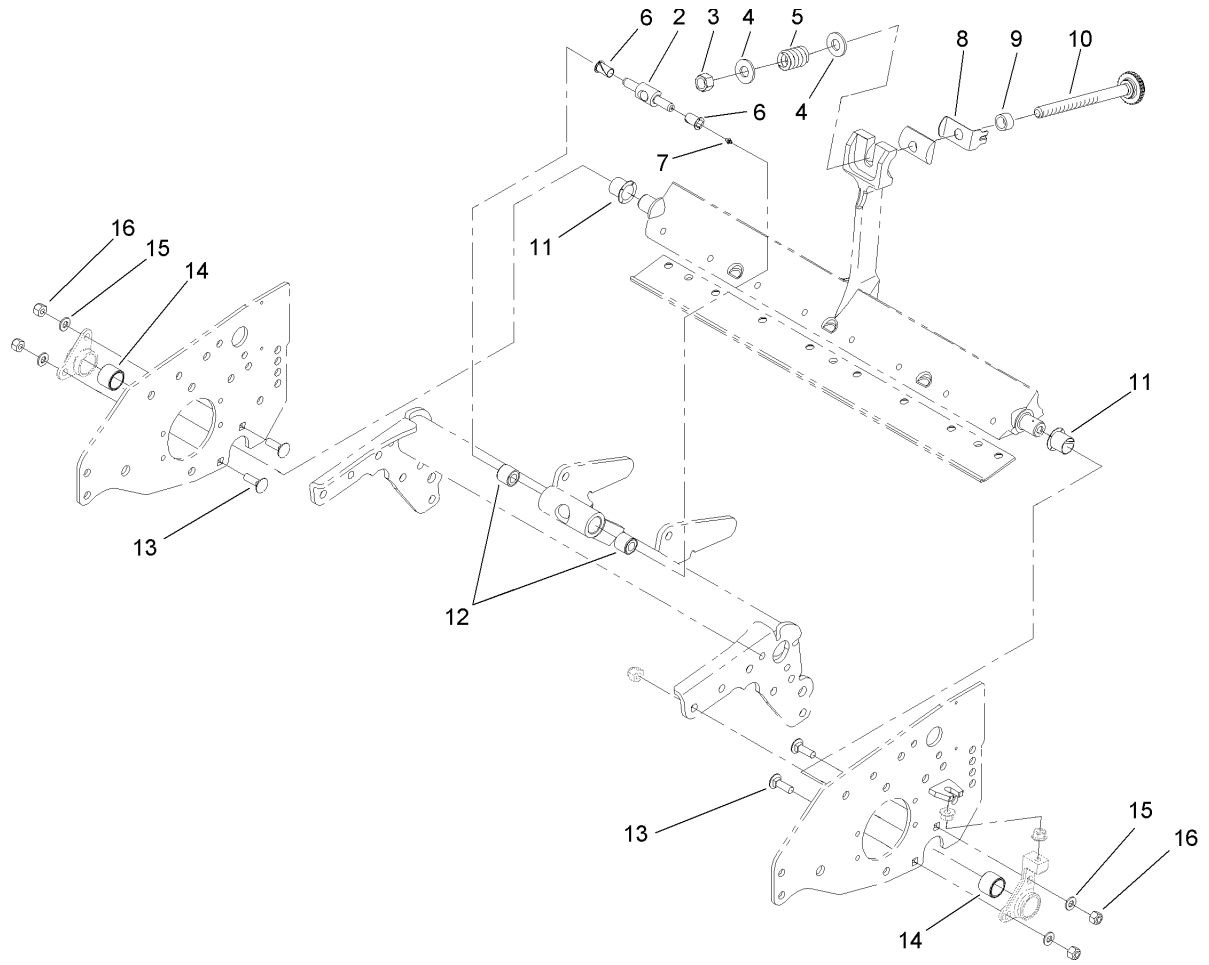
Parts in service assemblies have reference numbers in the form a:b. The a represents the reference number of the entire service assembly and the b represents a sequential number unique to each part within the service assembly.

For example, a wheel assembly might be identified by reference number 6, the tire by 6:1, the valve by 6:2, and the wheel by 6:3. When you order the assembly identified by reference number 6, you receive all parts identified by reference numbers 6:1, 6:2, and 6:3. However, you may also order any part individually. Reference numbers of this type appear in illustrations and in part lists.

### Reference Numbers Indicating Quantity

In an illustration, if a reference number indicates more than one part, the reference number has the form nX y. The n represents the quantity of the part, the X is the multiplication symbol, and the y represents the reference number.

For example, in an illustration, the reference number 2X 37 means that two of the parts identified by reference number 37 are indicated.



## Bedbar Pivot Assembly No. 106-9605

Ref	Part No.	Qty.	Description
2	107-7409	1	Pin-Pivot, Bedbar
3	3296-62	1	Nut-Lock NI
4	29-8910	2	Washer
5	95-0772	1	Spring-Compression
6	52-2890	2	Bushing-Nylon
7	302-18	1	Fitting-Grease
8	95-8752	1	Arm-Spring
9	93-2959	1	Spacer-Adjuster
10	106-7536	1	Bedbar Adjuster ASM
11	93-7502	2	Bushing-Flanged
12	62-5510	2	Bushing-Rubber
13	3230-2	4	Bolt-CARR
14	93-7501	2	Bushing ASM
15	3256-74	4	Washer-Flat
16	3296-29	4	Nut-Lock, NI

--	--	--	--