



Air Ride Seat Suspension Kit Reelmaster® 5010 Series Traction Unit

Model No. 03667

Parts Catalog

Ordering Replacement Parts

To order replacement parts, please supply the part number, the quantity, and the description of each part desired.

Understanding Reference Numbers

Each identified part in an illustration has a reference number. The reference number for a part also appears in the parts list, along with other information about the part.

This catalog uses two special reference number formats, one to indicate parts in a service assembly and another to indicate the quantity of a given part in an illustration.

Service Assembly Reference Numbers

Parts in service assemblies have reference numbers in the form a:b. The a represents the reference number of the entire service assembly and the b represents a sequential number unique to each part within the service assembly.

For example, a wheel assembly might be identified by reference number 6, the tire by 6:1, the valve by 6:2, and the wheel by 6:3. When you order the assembly identified by reference number 6, you receive all parts identified by reference numbers 6:1, 6:2, and 6:3. However, you may also order any part individually. Reference numbers of this type appear in illustrations and in part lists.

Reference Numbers Indicating Quantity

In an illustration, if a reference number indicates more than one part, the reference number has the form nX y. The n represents the quantity of the part, the X is the multiplication symbol, and the y represents the reference number.

For example, in an illustration, the reference number 2X 37 means that two of the parts identified by reference number 37 are indicated.

Contents

Description	Page	Description	Page
Air Ride Suspension and Electrical Assembly 3	Air Ride Suspension Assembly No. 108-1695 4

Part Description Abbreviations

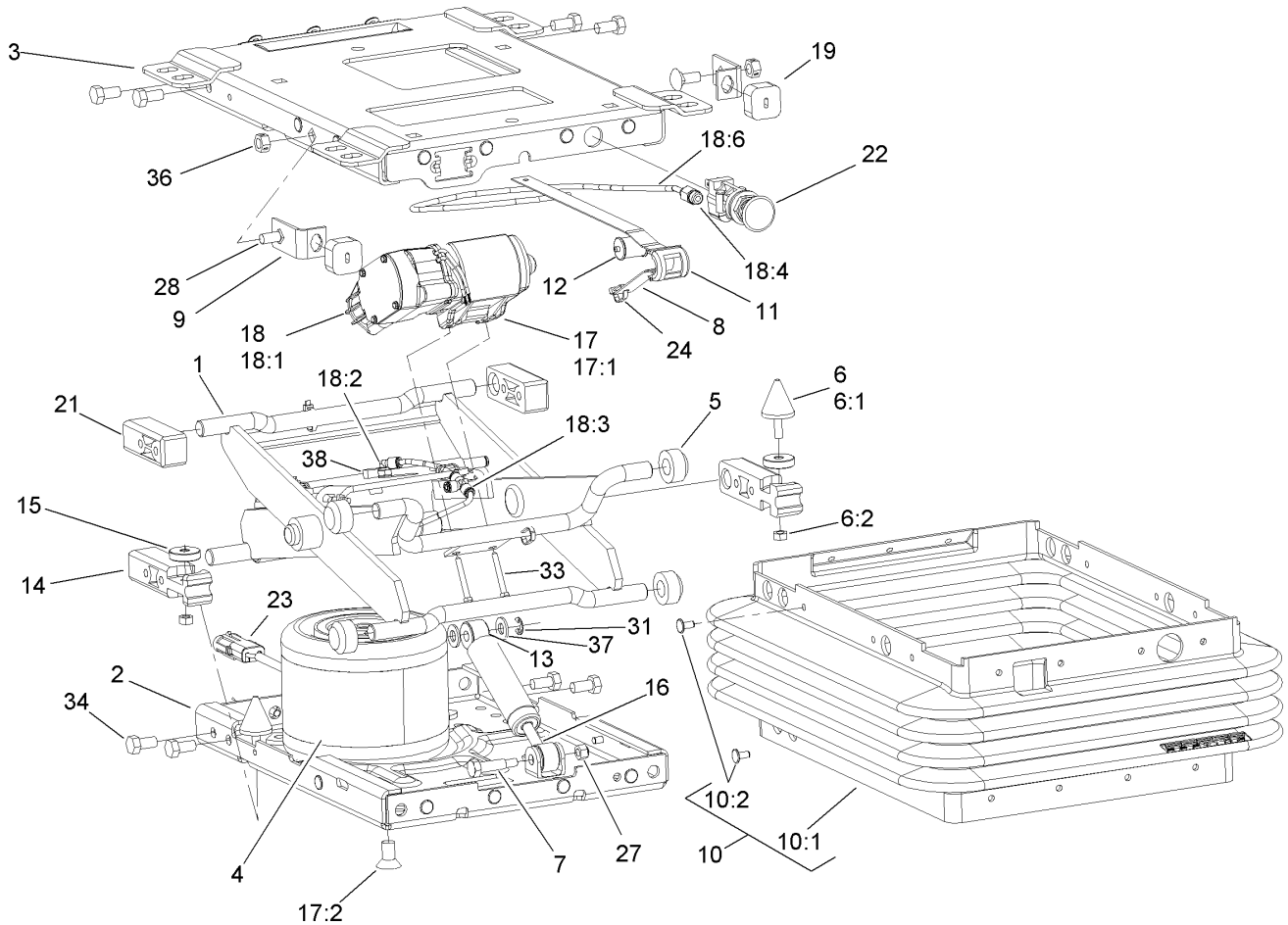
Part descriptions in this catalog may include the following abbreviations.

AR.	as required	HYD.	hydraulic
ASM.	assembly	LH.	left hand
BBC.	blade brake clutch	NI.	nylon insert
CARR.	carriage	NPTF.	national pipe thread fine
DEG.	degrees	PFH.	phillips flat head
EXT.	external	PPH.	phillips pan head
FH.	flat head	PPHTF.	phillips pan head thread forming
GA.	gauge	PRH.	phillips round head
HD.	heavy-duty	PTH.	phillips truss head
HF.	hex flange	PTO.	power-take-off
HH.	hex head	RH.	right hand
HHF.	hex head flange	ROPS.	roll-over protection system
HHFTF.	hex head flange thread forming	SFH.	slotted fillister head
HJ.	hex jam	SHH.	slotted hex head
HLH.	hex lag head	SHWH.	slotted hex washer head
HOC.	height-of-cut	SPH.	slotted pan head
HSBH.	hex socket button head	SQH.	square head
HSFH.	hex socket flat head	SRH.	slotted round head
HS.	hex socket head	STD.	standard
HWH.	hex washer head	TAP.	self tapping
HWHTF.	hex washer head thread forming	TTH.	torx truss head

Footnotes

❶ Not illustrated

❷ Not serviced separately



Air Ride Suspension Assembly No. 108-1695

Ref	Part No.	Qty.	Description
②1		1	Scissors-Compact
②2		1	Housing-Lower
②3		1	Housing-Upper
4	108-9652	1	Airspring
5	108-9632	4	Roller
6	108-4585	2	Bumper Service Kit
②6:1		2	Bumper-Stop
②6:2		2	Nut
②7		1	Bolt-Mount, Shock
8	108-9654	1	Tape-Adjust, Weight
②9		1	Bracket-Upstop
10	108-4586	1	Boot Service Kit
②10:1		1	Boot-Suspension
②10:2		25	Clip-Xmas Tree
②11		1	Guide-Tape, Weight
②12		1	Roller-Tape, Weight
②13		1	Bushing-Shock
②14		1	Block-Scissors Pivot, Side Mount
②15		2	Spacer-Bumper
16	108-9614	1	Damper
17	112-0196	1	Compressor Clamp Service Kit
17:1	108-9661	1	Clamp-Compression
②17:2		1	Screw-Tapping
18	112-0195	1	Compressor Service Kit

Ref	Part No.	Qty.	Description
18:1	108-9662	1	Compressor (12V)
18:2	108-9663	1	Stud-Elbow, 90 DEG
②18:3		1	T-Fitting
②18:4		1	Fitting-Male Connec
①②18:5		1	Tubing-Convuluted
②18:6		1	Tubing-Nylon
19	108-9634	1	Bumper
②21		1	Block-Shaft
22	108-9664	1	Valve-Control, Air
23	108-9665	1	Harness-Wire
②24		9	Tie-Cable
②27		1	Nut-HH, NI
②28		2	Bolt-Carriage
②31		1	Ring-Retaining
②33		2	Screw-SHH
②34		8	Screw-HWHTF
②36		2	Nut-Centerlock
②37		2	Washer-Flat
38	323-2	1	Screw-HH

NOTES

NOTES

NOTES

