



## Groundsmaster<sup>®</sup> 328-D 4-Wheel Drive

Model No. 30631 - 260000001 and up.

### Parts Catalog

---

#### **Ordering Replacement Parts**

To order replacement parts, please supply the part number, the quantity, and the description of each part desired.

#### **Understanding Reference Numbers**

Each identified part in an illustration has a reference number. The reference number for a part also appears in the parts list, along with other information about the part.

This catalog uses two special reference number formats, one to indicate parts in a service assembly and another to indicate the quantity of a given part in an illustration.

#### **Service Assembly Reference Numbers**

Parts in service assemblies have reference numbers in the form a:b. The a represents the reference number of the entire service assembly and the b represents a sequential number unique to each part within the service assembly.

For example, a wheel assembly might be identified by reference number 6, the tire by 6:1, the valve by 6:2, and the wheel by 6:3. When you order the assembly identified by reference number 6, you receive all parts identified by reference numbers 6:1, 6:2, and 6:3. However, you may also order any part individually. Reference numbers of this type appear in illustrations and in part lists.

#### **Reference Numbers Indicating Quantity**

In an illustration, if a reference number indicates more than one part, the reference number has the form nX y. The n represents the quantity of the part, the X is the multiplication symbol, and the y represents the reference number.

For example, in an illustration, the reference number 2X 37 means that two of the parts identified by reference number 37 are indicated.

# Contents

| <b>Description</b>   | <b>Page</b> | <b>Description</b>                                       | <b>Page</b> |
|--|-------------|--|-------------|
| Frame Assembly   | ..... 4     | Axle Case Assembly Rear Axle Assembly No. 106-1120       | ..... 41    |
| Frame Assembly No. 98-3879                                       | ..... 5     | Axle Assembly Rear Axle Assembly No. 106-1120            | ..... 42    |
| Control Panel Assembly   | ..... 6     | Push Arm and Roll-Over-Protection-System Assembly        | ..... 43    |
| Brake Pedal Assembly   | ..... 8     | Water and Fuel Filter Assembly                           | ..... 45    |
| Traction Pedal Assembly  | ..... 9     | Water and Fuel Filter Assembly No. 98-9305               | ..... 46    |
| Power Steering Assembly  | ..... 10    | Fuel Tank and Front Axle Assembly                        | ..... 47    |
| Power Steering Unit Assembly No. 108-6557                        | ..... 11    | Front Axle Assembly No. 86-9630-03                       | ..... 48    |
| Engine Installation Assembly                                     | ..... 12    | Front Axle Brake Assembly                                | ..... 50    |
| Engine Mounting and Component Assembly                           | ..... 13    | Crankcase Assembly                                       | ..... 51    |
| Engine Pulley System Assembly                                    | ..... 15    | Oil Pan Assembly   | ..... 52    |
| Fan Support Assembly No. 106-4399                                | ..... 16    | Cylinder Head Assembly                                   | ..... 53    |
| PTO and Shaft Assembly   | ..... 17    | Gear Case Assembly                                       | ..... 54    |
| Power-Take-Off Assembly  | ..... 18    | Head Cover Assembly                                      | ..... 55    |
| Valve and Cylinder Assembly                                      | ..... 19    | Dipstick and Guide Assembly                              | ..... 56    |
| Hydraulic Cylinder Assembly No. 100-6586 (2-1/2 Inch Bore)       | ..... 20    | Main Bearing Case Assembly                               | ..... 57    |
| Hydraulic Cylinder Assembly No. 100-6591 (Optional, 3 Inch Bore) | ..... 21    | Camshaft and Idle Gear Shaft Assembly                    | ..... 58    |
| Valve Assembly No. 106-8071-01                                   | ..... 22    | Piston and Crankshaft Assembly                           | ..... 59    |
| Radiator and Hood Assembly                                       | ..... 23    | Flywheel Assembly  | ..... 60    |
| Hydrostatic Transmission Assembly                                | ..... 25    | Fuel Camshaft and Governor Shaft Assembly                | ..... 61    |
| Transmission Assembly No. 92-8947                                | ..... 27    | Idle Apparatus Assembly                                  | ..... 62    |
| Neutral Centering Device Assembly                                | ..... 29    | Injection Pump Assembly                                  | ..... 63    |
| 4 Wheel Drive Rear Axle Assembly                                 | ..... 30    | Governor Assembly  | ..... 64    |
| Driveshaft Assembly No. 98-5009                                  | ..... 32    | Speed Control Plate Assembly                             | ..... 65    |
| Bi-Directional Clutch Assembly No. 95-6296                       | ..... 33    | Nozzle Holder and Glow Plug Assembly                     | ..... 66    |
| Hydraulic Cylinder Assembly No. 99-2415                          | ..... 34    | Nozzle Holder Assembly                                   | ..... 67    |
| Tie Rod Assembly No. 98-3871-03                                  | ..... 35    | Alternator and Pulley Assembly                           | ..... 68    |
| Bevel Pinion Shaft Assembly Rear Axle Assembly No. 106-1120      | ..... 36    | Alternator (Component Part) Assembly                     | ..... 69    |
| Differential Assembly Rear Axle Assembly No. 106-1120            | ..... 37    | Starter Assembly   | ..... 70    |
| Axle Support Assembly Rear Axle Assembly No. 106-1120            | ..... 38    | Starter (Component Part) Assembly                        | ..... 71    |
| Bevel Gearcase Assembly Rear Axle Assembly No. 106-1120          | ..... 39    | Water Flange and Thermostat Assembly                     | ..... 72    |
| Bevel Gear Shaft Assembly Rear Axle Assembly No. 106-1120        | ..... 40    | Water Pump and Pipe Assembly                             | ..... 73    |
|  |             | Valve and Rocker Arm Assembly                            | ..... 74    |
|  |             | Inlet Manifold Assembly                                  | ..... 75    |
|  |             | Fuel Filter and Pump, Muffler Gasket and Operator Manual | ..... 76    |
|  |             | Gasket Kit Assembly                                      | ..... 77    |
|  |             | Attachments and Accessories List                         | ..... 78    |

## Part Description Abbreviations

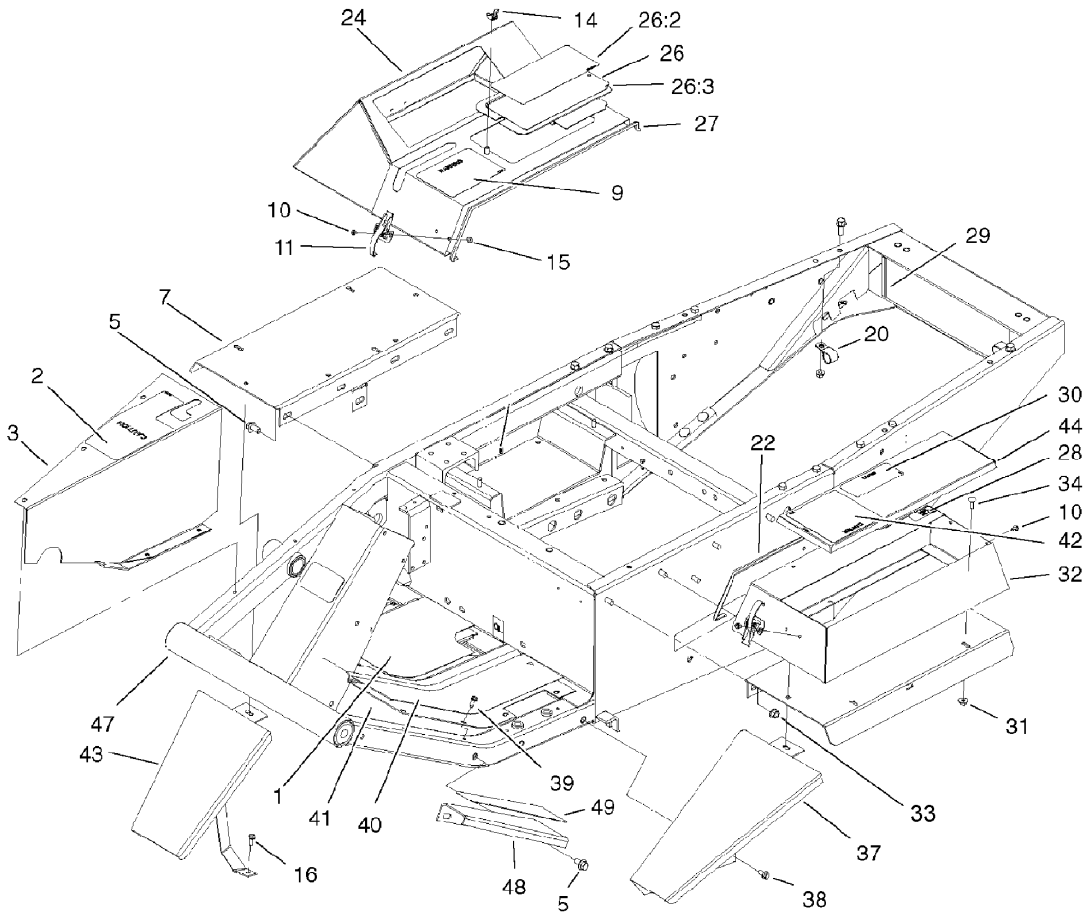
Part descriptions in this catalog may include the following abbreviations.

|             |                                |             |                                  |
|-------------|--------------------------------|-------------|----------------------------------|
| AR. ....    | as required                    | INC. ....   | incorporated                     |
| ASM. ....   | assembly                       | LH. ....    | left hand                        |
| BBC. ....   | blade brake clutch             | NI. ....    | nylon insert                     |
| CARR. ....  | carriage                       | NPTF. ....  | national pipe thread fine        |
| DEG. ....   | degrees                        | PFH. ....   | phillips flat head               |
| EXT. ....   | external                       | PPH. ....   | phillips pan head                |
| FH. ....    | flat head                      | PPHTF. .... | phillips pan head thread forming |
| GA. ....    | gauge                          | PRH. ....   | phillips round head              |
| HF. ....    | hex flange                     | PTH. ....   | phillips truss head              |
| HH. ....    | hex head                       | PTO. ....   | power-take-off                   |
| HHF. ....   | hex head flange                | RH. ....    | right hand                       |
| HHFTF. .... | hex head flange thread forming | ROPS. ....  | roll-over-protection-system      |
| HJ. ....    | hex jam                        | SFH. ....   | slotted fillister head           |
| HLH. ....   | hex lag head                   | SHH. ....   | slotted hex head                 |
| HOC. ....   | height-of-cut                  | SHWH. ....  | slotted hex washer head          |
| HSBH. ....  | hex socket button head         | SPH. ....   | slotted pan head                 |
| HSFH. ....  | hex socket flat head           | SQH. ....   | square head                      |
| HSH. ....   | hex socket head                | SRH. ....   | slotted round head               |
| HWH. ....   | hex washer head                | STD. ....   | standard                         |
| HWHTF. .... | hex washer head thread forming | TAP. ....   | self tapping                     |
| HYD. ....   | hydraulic                      | TTH. ....   | torx truss head                  |

## Footnotes

❶ Not illustrated

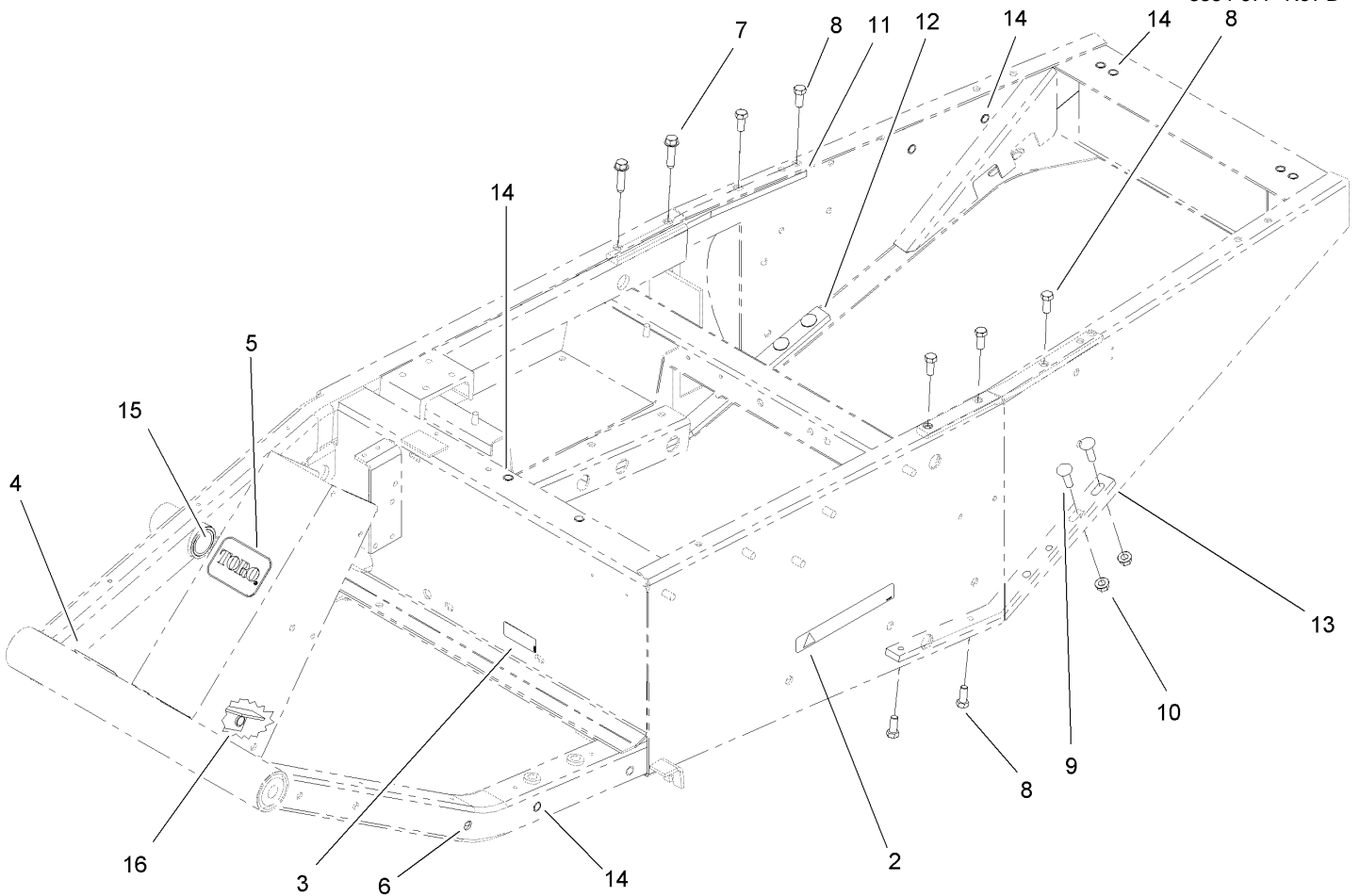
❷ Not serviced separately



### Frame Assembly

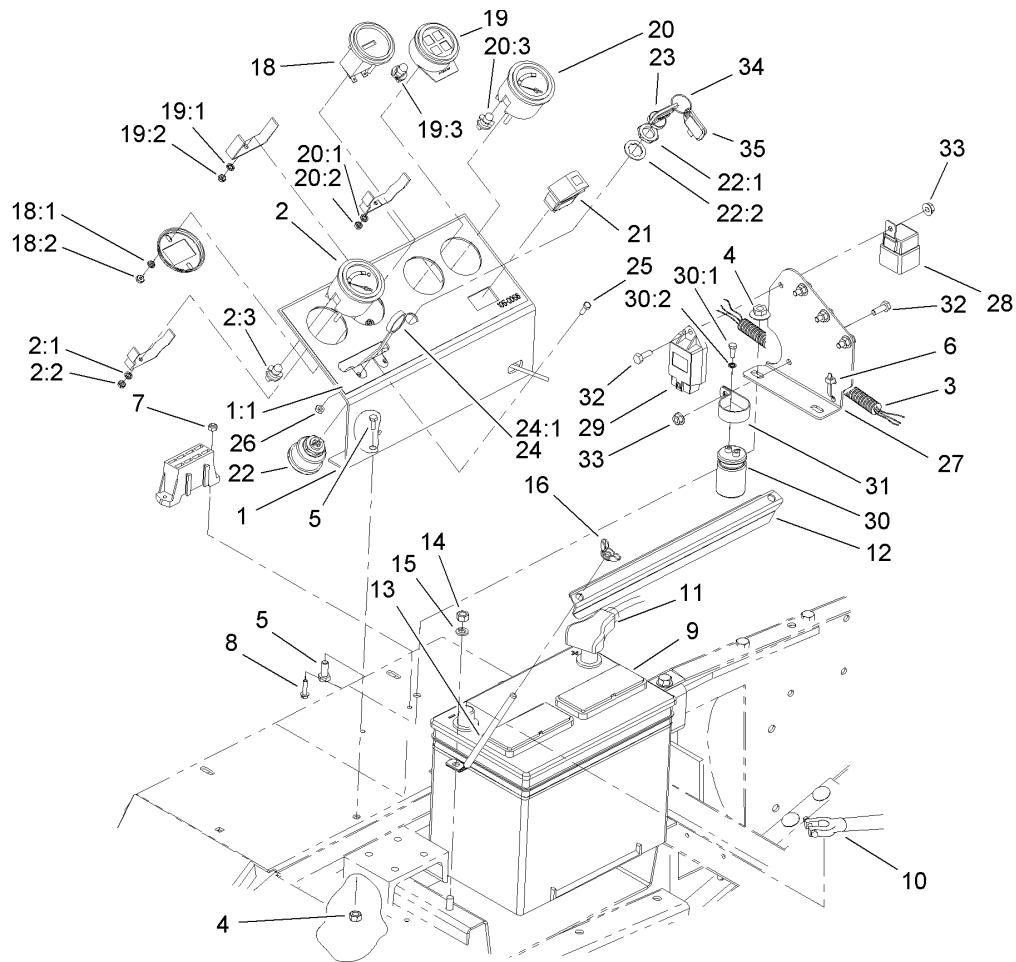
| Ref  | Part No.    | Qty. | Description                 |
|------|-------------|------|-----------------------------|
| 1    | 21-2770     | 1    | Pad-Floor Plate, RH         |
| 2    | 105-7823    | 1    | Decal-Caution               |
| 3    | 21-2660-01  | 1    | Plate-Side                  |
| 5    | 3234-12     | 5    | Screw-HHF                   |
| 7    | 105-2596-01 | 2    | Fender ASM                  |
| 9    | 107-2918    | 1    | Decal-Danger                |
| 10   | 3290-144    | 9    | Screw-SHWH                  |
| 11   | 249-21      | 3    | Clamp-Slotted               |
| 14   | 32103-2     | 1    | Nut-Wing                    |
| 15   | 3296-2      | 9    | Nut-Lock                    |
| 16   | 3234-33     | 1    | Screw-HHF                   |
| 20   | 2412-4      | 2    | Clamp                       |
| 22   | 37-9650     | 1    | Trim-Box, Tool              |
| 24   | 38-4550-03  | 1    | Cover-Instruments           |
| 26   | 105-2565    | 1    | Battery Cover ASM           |
| 26:2 | 107-2927    | 1    | Decal-Starting Instructions |
| 26:3 | 92-7801     | 1    | Shield-Cover, Battery       |
| 27   | 39-8020     | 1    | Trim-Cover, Instrument      |
| 28   | 93-6680     | 1    | Decal-Diesel                |
| 29   | 43-4300     | 2    | Trim-Frame, Rear            |
| 30   | 93-7822     | 1    | Decal-Refueling             |
| 31   | 32128-33    | 5    | Nut-HF                      |
| 32   | 93-3182-03  | 1    | Box-Tool                    |
| 33   | 3290-357    | 6    | Nut-HHF, Whiz               |

| Ref | Part No.   | Qty. | Description         |
|-----|------------|------|---------------------|
| 34  | 3229-1     | 5    | Screw-CARR          |
| 37  | 68-8610-01 | 1    | Extension-Fender    |
| 38  | 3234-14    | 2    | Screw-HHF           |
| 39  | 32144-10   | 11   | Screw-HWH           |
| 40  | 21-2760    | 1    | Pad-Plate Floor, LH |
| 41  | 88-0070-01 | 1    | Plate-Floor         |
| 42  | 93-7839    | 1    | Decal-Danger        |
| 43  | 93-7626-01 | 1    | Fender-RH           |
| 44  | 93-3177-03 | 1    | Cover-Box, Tool     |
| 47  | 98-3879    | 1    | Frame ASM           |
| 48  | 93-7410-01 | 1    | Panel-Footrest      |
| 49  | 66-3200    | 1    | Tread-Footrest, LH  |



## Frame Assembly No. 98-3879

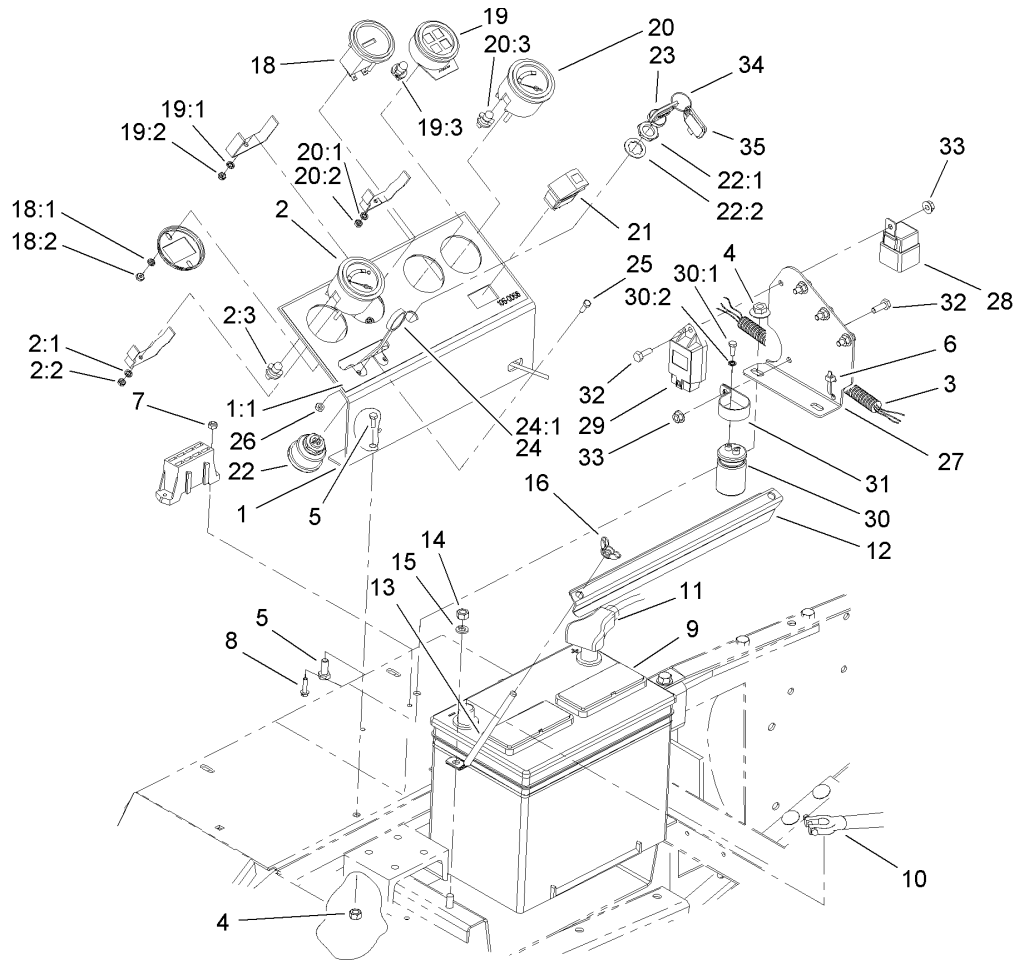
| Ref | Part No.   | Qty. | Description          |
|-----|------------|------|----------------------|
| 2   | 93-7830    | 2    | Decal-Torque         |
| 3   | 93-6686    | 1    | Decal-Oil, HYD       |
| 4   | 93-7836    | 1    | Decal-Traction Pedal |
| 5   | 70-2200    | 1    | Decal                |
| 6   | 32148-9    | 1    | Insert-Nut           |
| 7   | 11-0590    | 2    | Screw-HWHTF          |
| 8   | 3234-25    | 9    | Screw-HHF            |
| 9   | 3231-25    | 4    | Screw-CARR           |
| 10  | 32128-21   | 4    | Nut-HF               |
| 11  | 98-3866-01 | 2    | Brace-Upper          |
| 12  | 98-3865-01 | 1    | Brace-Right, Lower   |
| 13  | 98-3864-01 | 1    | Brace-Left, Lower    |
| 14  | 3290-472   | 10   | Insert-Threaded      |
| 15  | 256-126    | 2    | Bushing              |
| 16  | 256-156    | 1    | Bushing-Flange       |



## Control Panel Assembly

| Ref  | Part No.   | Qty. | Description             |
|------|------------|------|-------------------------|
| 1    | 105-2917   | 1    | Instrument Panel ASM    |
| 1:1  | 105-0056   | 1    | Decal-Panel, Instrument |
| 2    | 98-9339    | 1    | Gauge-Fuel              |
| 2:1  | 3254-1     | 3    | Washer-Lock, Int        |
| 2:2  | 3217-27    | 3    | Nut-Hex                 |
| 2:3  | 105-9265   | 1    | Bulb And Lamp ASM       |
| 3    | 104-4065   | 1    | Harness-Wire, Main      |
| 3:1  | 100-4918   | 2    | Diode                   |
| 4    | 32128-30   | 4    | Nut                     |
| 5    | 322-3      | 4    | Screw-HH                |
| 6    | 3290-379   | 2    | Tie-Cable               |
| 7    | 3296-2     | 2    | Nut-Lock                |
| 8    | 32105-13   | 2    | Screw-SHH               |
| 9    | 106-5190   | 1    | Battery                 |
| 10   | 104-9497   | 1    | Cable-Battery, Negative |
| 11   | 95-8853    | 1    | Cable-Battery, Positive |
| 12   | 24-6420-03 | 1    | Holddown-Battery        |
| 13   | 24-6390    | 2    | Stud-Holddown, Battery  |
| 14   | 3217-6     | 2    | Nut-Hex                 |
| 15   | 3253-4     | 2    | Washer-Lock             |
| 16   | 32103-2    | 2    | Nut-Wing                |
| 18   | 66-2950    | 1    | Gauge-Hourmeter         |
| 18:1 | 3255-20    | 2    | Washer-Lock             |
| 18:2 | 3217-25    | 2    | Nut-Hex                 |

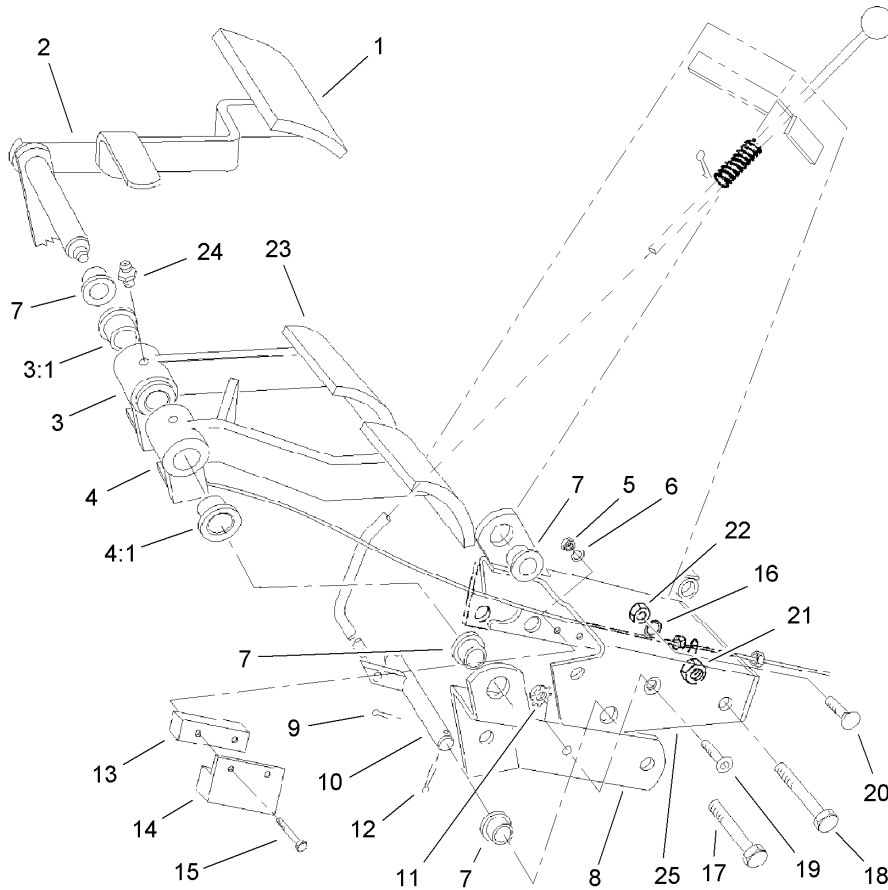
| Ref  | Part No.    | Qty. | Description       |
|------|-------------|------|-------------------|
| 19   | 98-9306     | 1    | Light-Warning     |
| 19:1 | 3254-1      | 1    | Washer-Lock, Int  |
| 19:2 | 3217-27     | 1    | Nut-Hex           |
| 19:3 | 105-9264    | 4    | Bulb And Lamp ASM |
| 20   | 98-9308     | 1    | Gauge-Temperature |
| 20:1 | 3254-1      | 3    | Washer-Lock, Int  |
| 20:2 | 3217-27     | 3    | Nut-Hex           |
| 20:3 | 105-9265    | 1    | Bulb And Lamp ASM |
| 21   | 100-8072    | 1    | Switch            |
| 22   | 104-2541    | 1    | Switch-Key        |
| 22:1 | 218-461     | 1    | Nut-HH            |
| 22:2 | 3254-5      | 1    | Washer-Tooth      |
| 23   | 63-8360     | 1    | Key-Ignition      |
| 24   | 43-3990     | 1    | Control-Throttle  |
| 24:1 | 233-35      | 1    | Knob              |
| 25   | 3290-134    | 2    | Screw             |
| 26   | 3296-12     | 2    | Nut-Lock          |
| 27   | 105-0002-01 | 1    | Bracket-Relay     |
| 28   | 70-1480     | 4    | Relay             |
| 29   | 107-9097    | 1    | Glow Controller   |
| 30   | 37-2690     | 1    | Capacitor         |
| 30:1 | 3252-18     | 2    | Screw             |
| 30:2 | 3254-1      | 2    | Washer-Lock, Int  |
| 31   | 2412-74     | 1    | R-Clamp           |



### Control Panel Assembly (continued)

| Ref | Part No. | Qty. | Description     |
|-----|----------|------|-----------------|
| 32  | 321-4    | 5    | Screw-HH        |
| 33  | 32128-33 | 5    | Nut-HF          |
| 34  | 98-9321  | 1    | Ring-Key        |
| 35  | 99-8970  | 1    | Key-Latch, Hood |

|  |  |  |  |
|--|--|--|--|
|  |  |  |  |
|--|--|--|--|

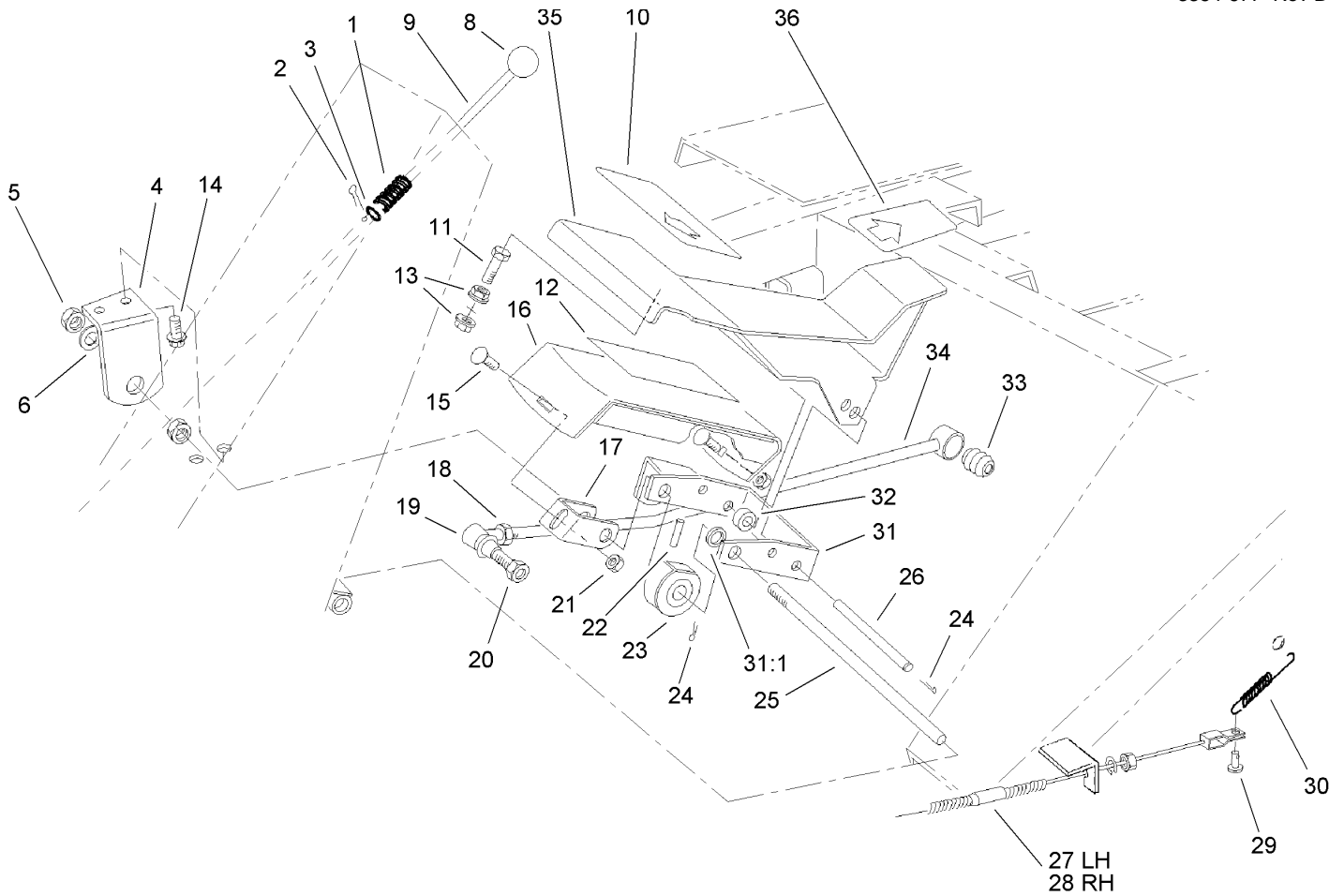


### Brake Pedal Assembly

| Ref | Part No.   | Qty. | Description             |
|-----|------------|------|-------------------------|
| 1   | 93-8742    | 1    | Footpad-Brake           |
| 2   | 27-8550-01 | 1    | Parking Brake Pedal ASM |
| 3   | 27-7510    | 1    | RH Brake Pedal ASM      |
| 3:1 | 256-10     | 2    | Bushing-Flange          |
| 4   | 27-7490    | 1    | LH Brake Pedal ASM      |
| 4:1 | 256-10     | 2    | Bushing-Flange          |
| 5   | 3296-2     | 2    | Nut-Lock                |
| 6   | 3256-51    | 4    | Washer-Flat             |
| 7   | 256-156    | 4    | Bushing-Flange          |
| 8   | 27-9270-01 | 1    | Mount-Brake             |
| 9   | 3272-5     | 2    | Pin-Cotter              |
| 10  | 105-0065   | 1    | Parking Brake Shaft ASM |
| 11  | 32149-2    | 1    | Nut-Keps                |
| 12  | 3272-6     | 2    | Pin-Cotter              |
| 13  | 105-0064   | 1    | Spacer-Switch           |
| 14  | 100-1270   | 1    | Switch-Proximity        |
| 15  | 3290-360   | 2    | Screw-HH                |
| 16  | 3253-21    | 2    | Washer-Lock             |
| 17  | 323-13     | 1    | Screw-HH                |
| 18  | 323-14     | 1    | Screw-HH                |
| 19  | 3274-47    | 1    | Screw-HSFH              |
| 20  | 3231-21    | 2    | Screw-CARR              |
| 21  | 32153-2    | 2    | Nut-Lock, Side          |
| 22  | 3217-7     | 2    | Nut-Hex                 |

| Ref | Part No.    | Qty. | Description           |
|-----|-------------|------|-----------------------|
| 23  | 93-8743     | 2    | Footpad-Turn          |
| 24  | 302-5       | 2    | Fitting-Grease        |
| 25  | 105-0066-01 | 1    | Brake Pedal Mount ASM |

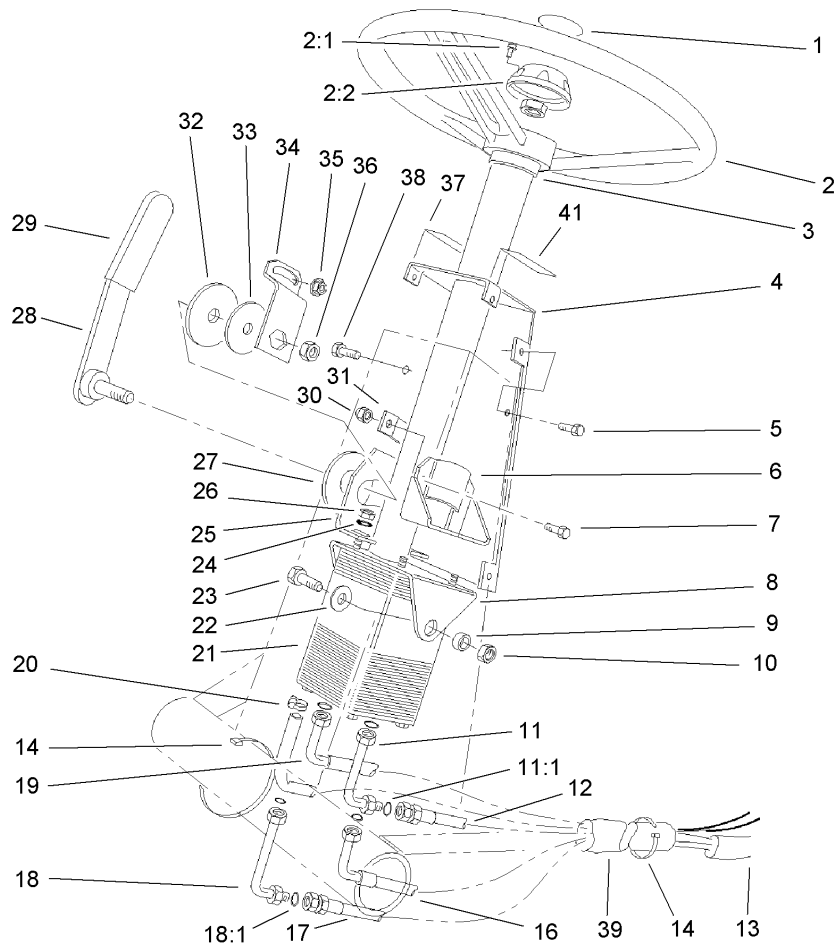




## Traction Pedal Assembly

| Ref | Part No.   | Qty. | Description           |
|-----|------------|------|-----------------------|
| 1   | 95-1821-03 | 1    | Spring-Compression    |
| 2   | 3272-5     | 1    | Pin-Cotter            |
| 3   | 3256-22    | 1    | Washer-Flat           |
| 4   | 21-2850-01 | 1    | Mount-Pedal, RH       |
| 5   | 3218-5     | 2    | Nut-Jam               |
| 6   | 3256-26    | 1    | Washer-Flat           |
| 8   | 233-17     | 1    | Knob                  |
| 9   | 82-8670    | 1    | Rod-Latch, Brake      |
| 10  | 94-3307    | 1    | Pad-Pedal, Traction   |
| 11  | 323-15     | 1    | Screw-HH              |
| 12  | 88-1720    | 1    | Pad-Footrest          |
| 13  | 32128-43   | 2    | Nut-Flange            |
| 14  | 11-0590    | 2    | Screw-HWHTF           |
| 15  | 3230-1     | 2    | Bolt-CARR             |
| 16  | 88-1710-01 | 1    | Footrest ASM          |
| 17  | 88-1680-01 | 1    | Bracket-Footrest      |
| 18  | 3220-5     | 1    | Nut-Jam               |
| 19  | 21-0141    | 1    | RH Ball Joint ASM     |
| 20  | 3220-3     | 2    | Nut-Hex, Jam          |
| 21  | 32128-20   | 2    | Nut-HF                |
| 22  | 32121-6    | 1    | Pin-Roll, Slotted     |
| 23  | 28-5220    | 1    | Friction Wheel ASM    |
| 24  | 3272-6     | 4    | Pin-Cotter            |
| 25  | 88-1650    | 1    | Shaft-Pedal, Traction |

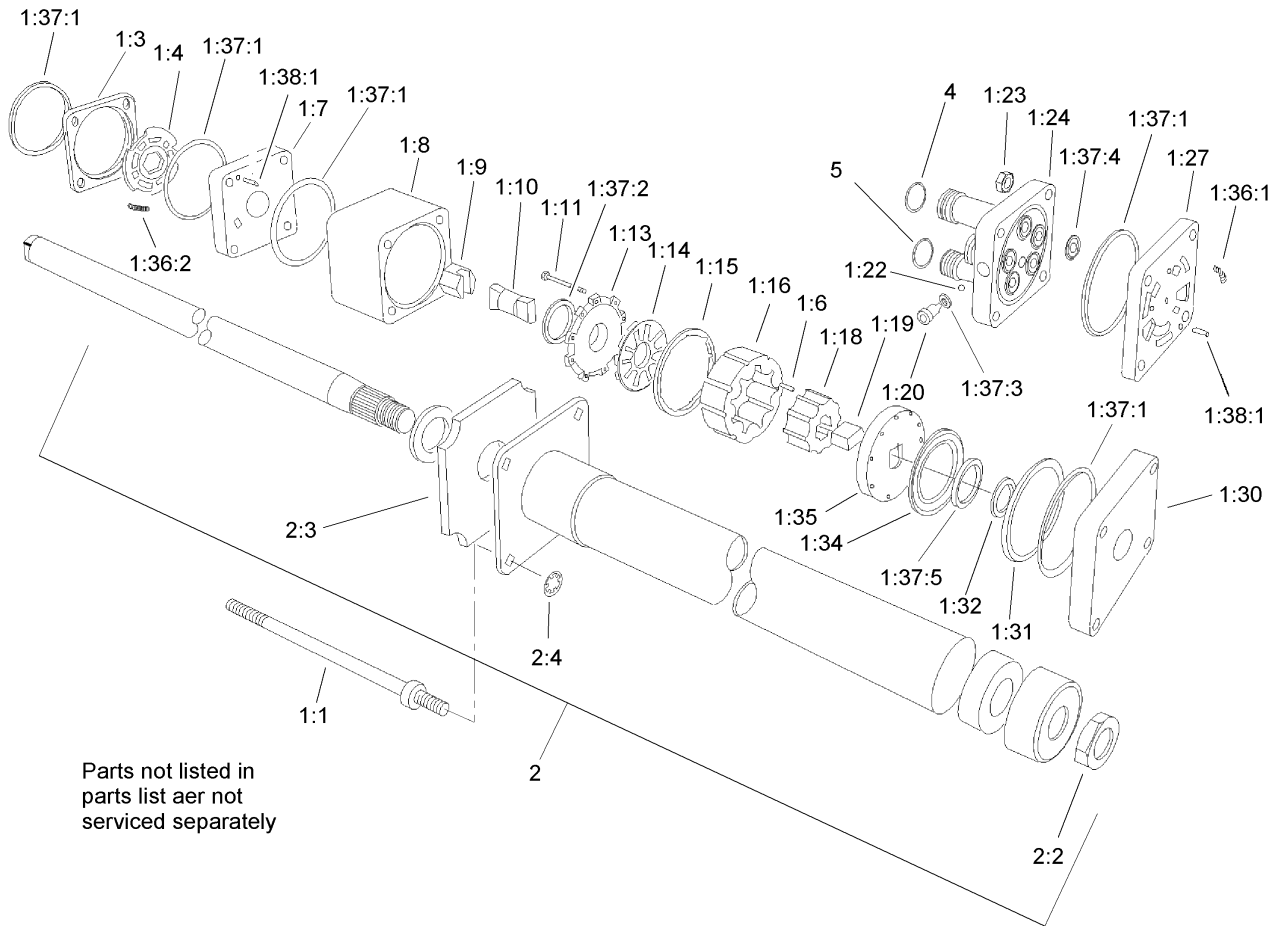
| Ref  | Part No.   | Qty. | Description           |
|------|------------|------|-----------------------|
| 26   | 88-1640    | 1    | Pin-Pedal, Traction   |
| 27   | 108-1380   | 1    | LH Brake Cable ASM    |
| 28   | 108-1379   | 1    | RH Brake Cable ASM    |
| 29   | 283-58     | 2    | Pin-Clevis            |
| 30   | 3-7243     | 2    | Spring-Extension      |
| 31   | 88-1670    | 1    | Pivot Bracket ASM     |
| 31:1 | 256-156    | 2    | Bushing-Flange        |
| 32   | 88-0470    | 1    | Tube-Spacer, Pedal    |
| 33   | 23-2270    | 1    | Bushing-Rubber        |
| 34   | 23-2240-03 | 1    | Pump Control Tube ASM |
| 35   | 94-3304-01 | 1    | Support-Pedal         |
| 36   | 94-3308    | 1    | Pad-Pedal, Traction   |



## Power Steering Assembly

| Ref  | Part No.   | Qty. | Description                |
|------|------------|------|----------------------------|
| 1    | 68-5370    | 1    | Decal                      |
| 2    | 75-0560    | 1    | Wheel-Steering             |
| 2:1  | 32144-21   | 1    | Screw                      |
| 2:2  | 68-5140    | 1    | Cap-Wheel, Steering        |
| 3    | 21-9260    | 1    | Cover-Dust                 |
| 4    | 82-8660-01 | 1    | Cover-Tower                |
| 5    | 32144-10   | 6    | Screw-HWH                  |
| 6    | 67-8690-03 | 1    | Support-Column             |
| 7    | 322-5      | 2    | Screw-HH                   |
| 8    | 77-3120-01 | 1    | Bracket-Mounting, Column   |
| 9    | 80-2960    | 2    | Spacer-Tower               |
| 10   | 3296-39    | 2    | Nut-Lock, NI               |
| 11   | 82-8760    | 1    | Elbow-HYD                  |
| 11:1 | 237-30     | 1    | O-Ring                     |
| 12   | 63-8970    | 1    | Hose-HYD                   |
| 13   | 70-1390    | 1    | Sleeve-Protective          |
| 14   | 3290-379   | 4    | Tie-Cable                  |
| 16   | 68-9730    | 1    | Hose-Steering, HYD         |
| 17   | 68-9720    | 1    | Hose-Steering, HYD         |
| 18   | 82-8770    | 1    | Elbow-HYD                  |
| 18:1 | 237-22     | 1    | O-Ring                     |
| 19   | 63-8980    | 1    | Hose-HYD                   |
| 20   | 2412-36    | 1    | Clamp-Hose                 |
| 21   | 108-6557   | 1    | Steer Valve And Column ASM |

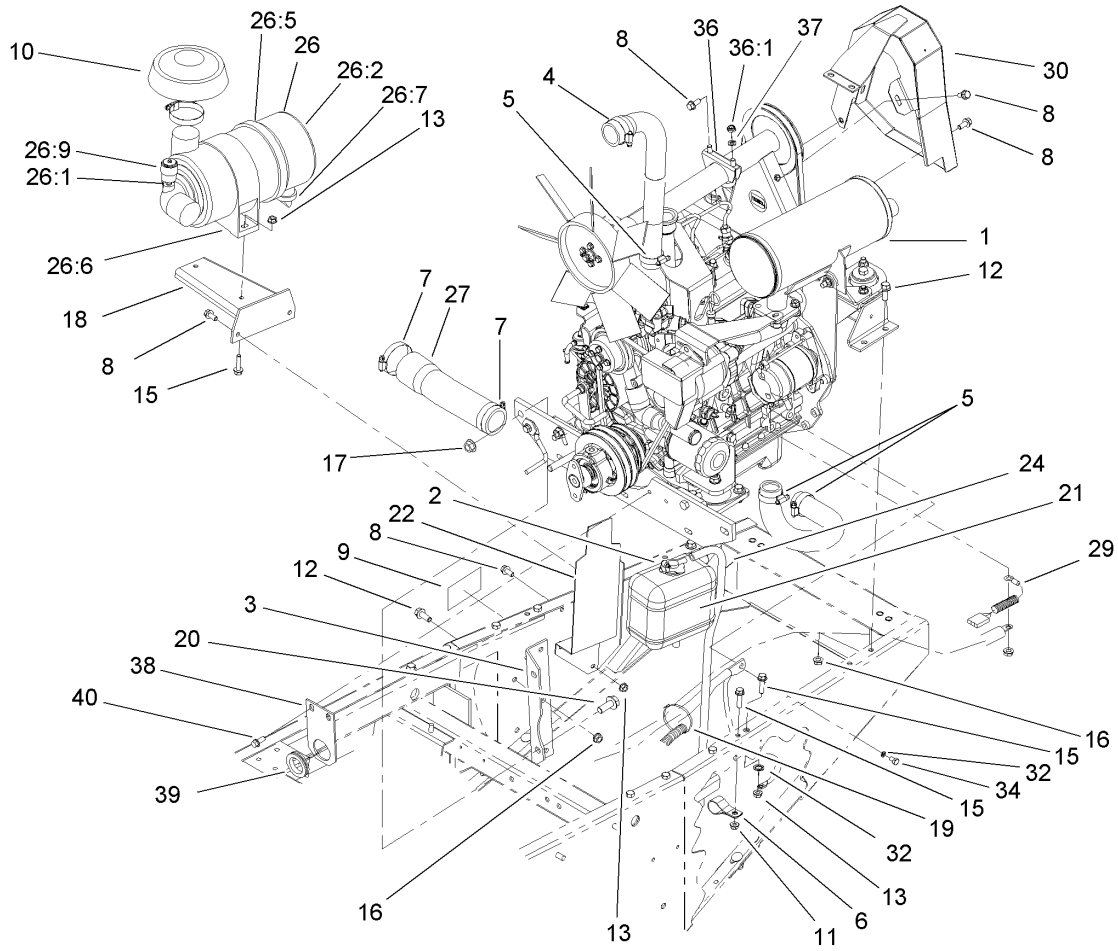
| Ref | Part No.   | Qty. | Description          |
|-----|------------|------|----------------------|
| 22  | 3256-46    | 2    | Washer-Flat          |
| 23  | 323-6      | 2    | Screw-HH             |
| 24  | 3256-3     | 4    | Washer-Flat          |
| 25  | 80-2940-03 | 1    | Plate-Pivot          |
| 26  | 3296-20    | 4    | Nut-Lock, NI         |
| 27  | 31-0390    | 1    | Disc-Friction        |
| 28  | 93-1353-03 | 1    | Lever-Steering, Tilt |
| 29  | 21-1880    | 2    | Grip-Handle          |
| 30  | 3296-29    | 2    | Nut-Lock, NI         |
| 31  | 82-8650    | 1    | Clamp-Column         |
| 32  | 82-9010    | 1    | Disc-Friction        |
| 33  | 80-2930    | 1    | Washer-Flat          |
| 34  | 80-2880    | 1    | Bracket-Tilt         |
| 35  | 32128-20   | 1    | Nut-HF               |
| 36  | 3218-7     | 1    | Nut-Jam              |
| 37  | 82-8940    | 1    | Decal-Steering, Tilt |
| 38  | 322-4      | 1    | Screw-HH             |
| 39  | 70-1380    | 1    | Sleeve-Protective    |
| 41  | 93-7831    | 1    | Decal-Brake, Parking |



## Power Steering Unit Assembly No. 108-6557

| Ref   | Part No. | Qty. | Description            |
|-------|----------|------|------------------------|
| 1:1   | 92-7310  | 4    | Bolt-Special           |
| ②1:3  |          | 1    | Ring-Valve             |
| ②1:4  |          | 1    | Plate-Valve            |
| ②1:6  |          | 9    | Pin-Alignment          |
| ②1:7  |          | 1    | Manifold-Isolation     |
| ②1:8  |          | 1    | Ring-Metering          |
| ②1:9  |          | 1    | Hex Drive ASM          |
| ②1:10 |          | 1    | Link-Drive             |
| ②1:11 |          | 11   | Screw-HSH              |
| ②1:13 |          | 1    | Cover-Commutator       |
| ②1:14 |          | 1    | Commutator             |
| ②1:15 |          | 1    | Ring-Commutator        |
| ②1:16 |          | 1    | Stator                 |
| ②1:18 |          | 1    | Rotor                  |
| ②1:19 |          | 1    | Spacer-Link, Drive     |
| ②1:20 |          | 1    | Plug                   |
| ②1:22 |          | 1    | Ball                   |
| ②1:23 |          | 4    | Nut-Hex                |
| ②1:24 |          | 1    | Cover-Port             |
| ②1:27 |          | 1    | Manifold-Port          |
| ②1:30 |          | 1    | Plate-Cover, Upper     |
| ②1:31 |          | 1    | Spacer-Bearing, Thrust |
| ②1:32 |          | 1    | Spacer-Seal            |
| ②1:34 |          | 1    | Bearing-Thrust         |
| ②1:35 |          | 1    | Plate-Drive            |

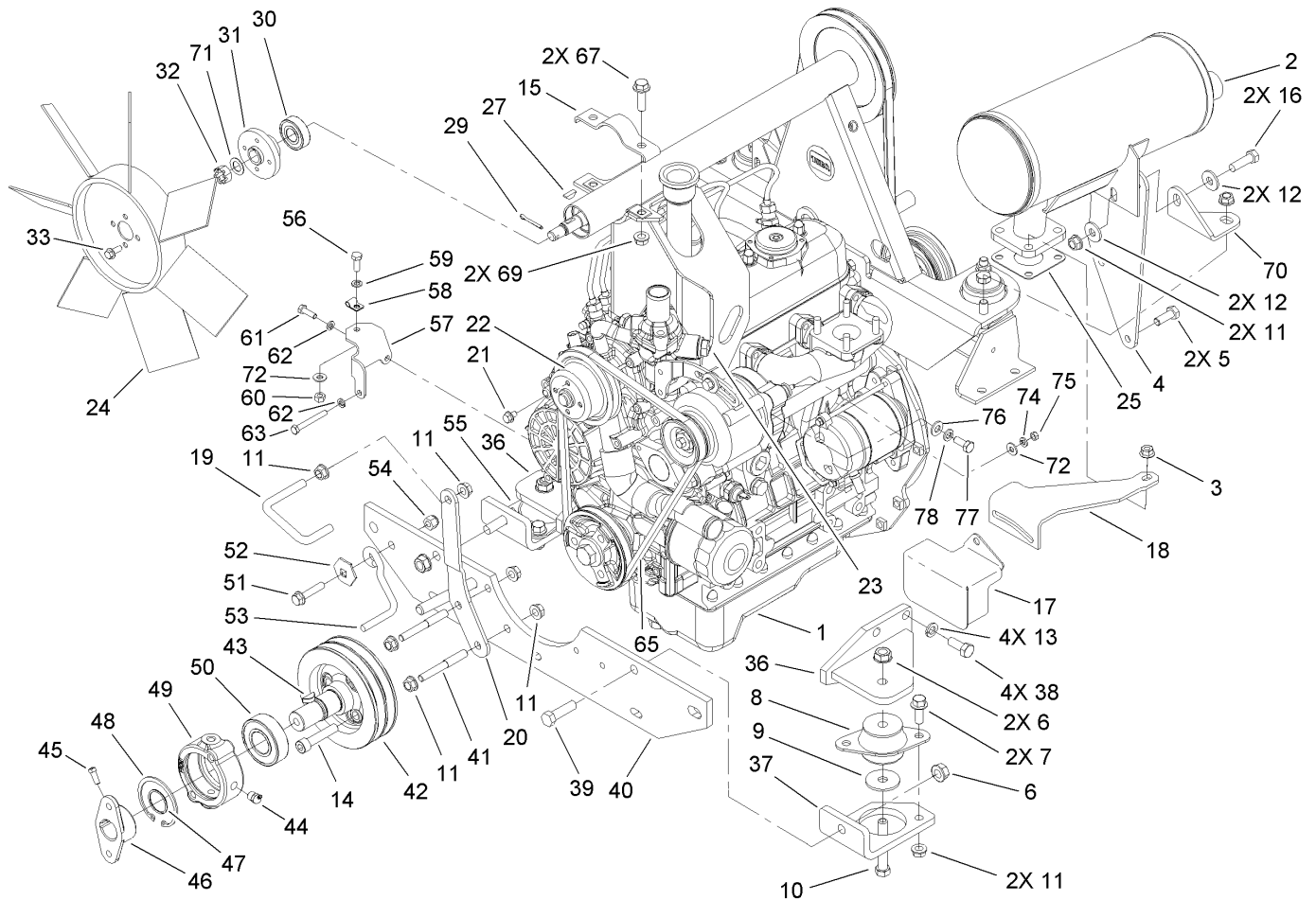
| Ref     | Part No. | Qty. | Description            |
|---------|----------|------|------------------------|
| ①1:36   | 66-9970  | 1    | Spring Kit             |
| ②1:36:1 |          | 3    | Spring                 |
| ②1:36:2 |          | 3    | Spring                 |
| ①1:37   | 66-9980  | 1    | Seal Kit               |
| ②1:37:1 |          | 5    | Ring-Seal              |
| ②1:37:2 |          | 1    | Seal-Commutator        |
| ②1:37:3 |          | 1    | Seal-Dust              |
| ②1:37:4 |          | 5    | Seal-Dust              |
| ②1:37:5 |          | 1    | Seal-Face              |
| ①1:38   | 66-9990  | 1    | Needle Roller Kit      |
| ②1:38:1 |          | 9    | Pin-Alignment          |
| 2       | 108-6560 | 1    | Column ASM             |
| 2:2     | 3220-6   | 1    | Nut-Jam                |
| 2:3     | 92-7317  | 1    | Seal-Foam, Upper Cover |
| 2:4     | 92-7316  | 4    | Nut-Push On            |
| 4       | 237-30   | 2    | O-Ring                 |
| 5       | 237-22   | 2    | O-Ring                 |



## Engine Installation Assembly

| Ref | Part No.    | Qty. | Description                                |
|-----|-------------|------|--|
| ①   |             | 1    | Engine-Briggs And Stratton, 084133-0196-E1 |
| 2   | 2412-108    | 2    | Clamp-Worm                                 |
| 3   | 67-8190-01  | 2    | Bracket-Support, Engine                    |
| 4   | 2412-3      | 1    | Clamp-Hose                                 |
| 5   | 2412-111    | 3    | Clamp                                      |
| 6   | 98-3883     | 1    | Clamp-Wire                                 |
| 7   | 2412-130    | 2    | Clamp-Hose                                 |
| 8   | 3234-5      | 9    | Screw-HHF                                  |
| 9   | 93-7275     | 1    | Decal-Fluid, Starting                      |
| 10  | 105-2539    | 1    | Cap ASM                                    |
| 11  | 104-8300    | 1    | Nut-Flange, NI                             |
| 12  | 3234-11     | 10   | Screw-HHF                                  |
| 13  | 32128-20    | 6    | Nut-HF                                     |
| 15  | 3234-36     | 4    | Screw-HHF                                  |
| 16  | 3290-357    | 10   | Nut-HHF, Whiz                              |
| 17  | 32128-23    | 2    | Nut-HF                                     |
| 18  | 98-4518-03  | 1    | Bracket-Cleaner, Air                       |
| 19  | 3290-378    | 1    | Tie-Cable                                  |
| 20  | 3234-32     | 2    | Screw-HHF                                  |
| 21  | 104-9318    | 1    | Bottle-Overflow                            |
| 22  | 105-0050-03 | 1    | Reservoir Bracket ASM                      |
| 24  | 110-3257    | 1    | Hose-Fuel                                  |
| 26  | 104-3428    | 1    | Air Cleaner ASM                            |

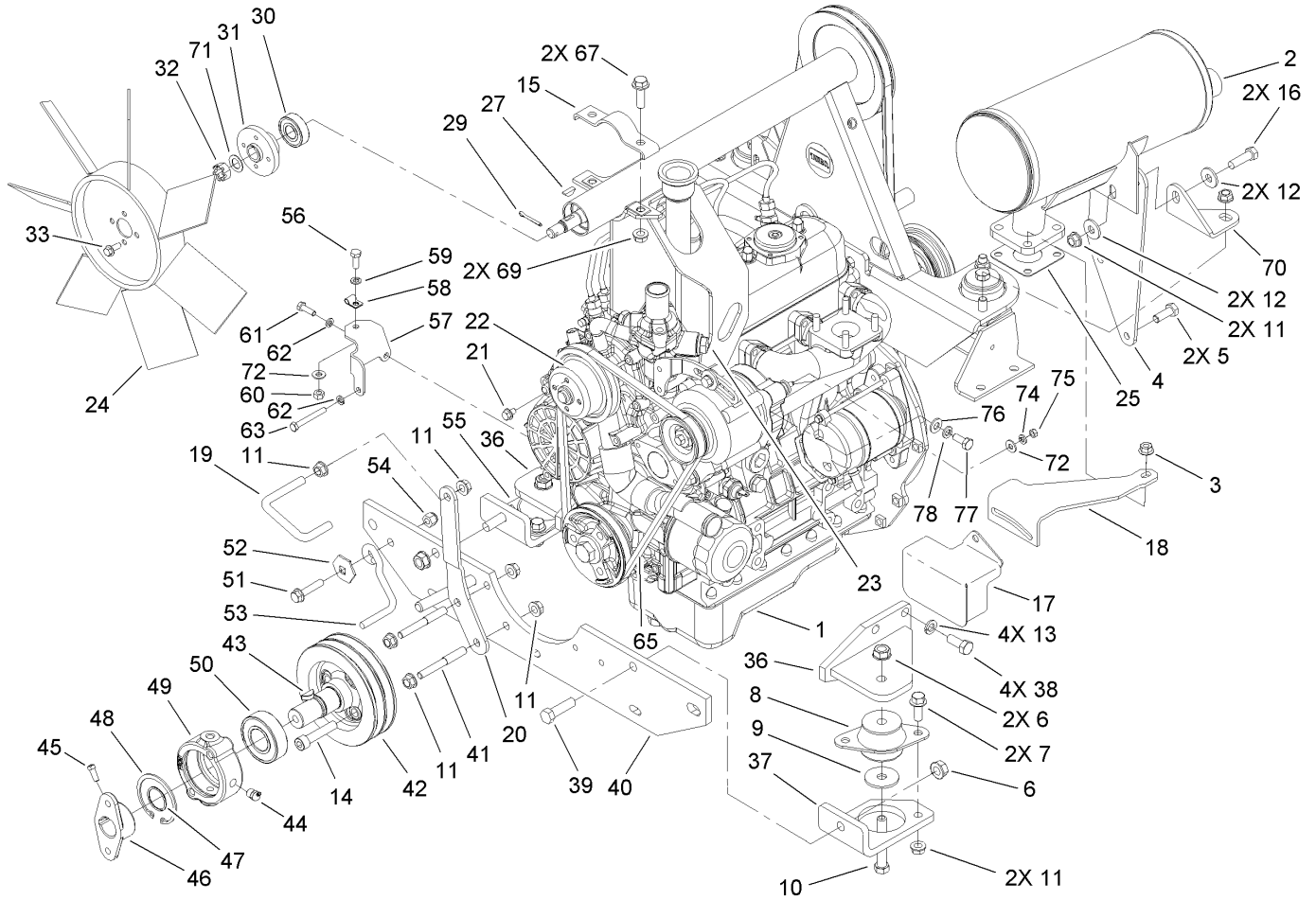
| Ref   | Part No.    | Qty. | Description                |
|-------|-------------|------|----------------------------|
| 26:1  | 105-4292    | 1    | Nipple-Pipe                |
| 26:2  | 104-0497    | 1    | Cover ASM                  |
| 26:5  | 104-4897    | 1    | Gasket                     |
| 26:6  | 98-4525     | 1    | Bracket-Cleaner, Air       |
| 26:7  | 104-0498    | 1    | Valve-Vacuator             |
| ①26:8 | 108-3810    | 1    | Filter-Air                 |
| 26:9  | 93-9164     | 1    | Indicator-Mini             |
| 27    | 104-3434    | 1    | Hose-Inlet, Air            |
| 29    | 99-3441     | 1    | Harness-Wire, Fusible Link |
| 30    | 105-7807-03 | 1    | Guard-Belt, Fan            |
| 32    | 3254-6      | 2    | Washer-Lock, Internal      |
| 34    | 70-8470     | 1    | Screw-HH                   |
| 36    | 2112-6      | 1    | Clamp-Muffler              |
| 36:1  | 3218-2      | 2    | Nut-Jam                    |
| 37    | 3253-4      | 2    | Washer-Lock                |
| 38    | 104-3774-03 | 1    | Bracket-Bulkhead           |
| 39    | 240-7       | 1    | Grommet-Rubber             |
| 40    | 32144-11    | 2    | Screw-HWHTF                |



## Engine Mounting and Component Assembly

| Ref | Part No.    | Qty. | Description             |
|-----|-------------|------|-------------------------|
| 1   | 108-1361    | 1    | Engine-Kubota           |
| 2   | 106-8069    | 1    | Muffler-Exhaust         |
| 3   | 33004-00    | 4    | Nut-HF                  |
| 4   | 105-2523-03 | 1    | Bracket-Muffler         |
| 5   | 33114-016   | 2    | Screw-HH                |
| 6   | 32128-37    | 4    | Nut-HF                  |
| 7   | 3234-11     | 4    | Screw-HHF               |
| 8   | 53-9680     | 2    | Mount-Engine            |
| 9   | 53-9480     | 2    | Washer-Snubber          |
| 10  | 324-11      | 2    | Screw-HH                |
| 11  | 3290-357    | 12   | Nut-HHF, Whiz           |
| 12  | 80-6990     | 4    | Washer-Hardened         |
| 13  | 42-9600     | 8    | Washer-Lock, Spring     |
| 14  | 3274-106    | 3    | Screw-HSH               |
| 15  | 105-2519-03 | 1    | Clamp-Cradle            |
| 16  | 323-44      | 2    | Screw-HH                |
| 17  | 105-2557-03 | 1    | Guard-Alternator        |
| 18  | 105-2556-03 | 1    | Brace-Alternator, Upper |
| 19  | 105-4276    | 1    | Guide-Belt, PTO         |
| 20  | 105-0052-03 | 1    | Bracket-Belt Guide      |
| 21  | 81-1280     | 4    | Screw-Hfh               |
| 22  | 98-9584     | 1    | Pulley-Fan              |
| 23  | 98-9346     | 1    | Sender-Temperature      |
| 24  | 107-9096    | 1    | Fan-Cooling             |

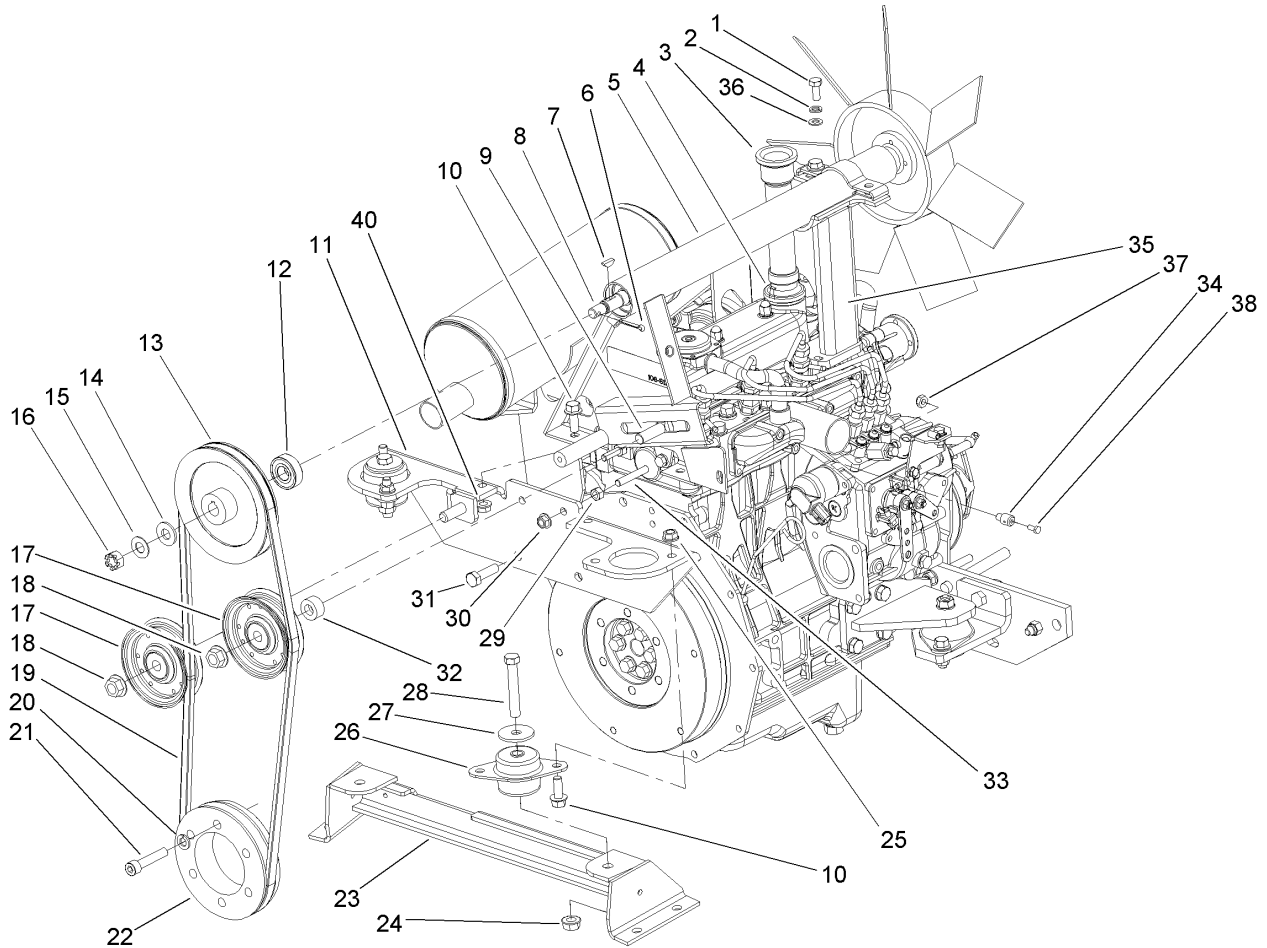
| Ref | Part No.    | Qty. | Description           |
|-----|-------------|------|-----------------------|
| 25  | 98-9611     | 1    | Gasket                |
| 27  | 3257-30     | 1    | Key-Woodruff          |
| 29  | 3272-11     | 1    | Pin-Cotter            |
| 30  | 38-7820     | 1    | Bearing-Ball          |
| 31  | 104-3408-03 | 1    | Hub-Fan               |
| 32  | 32136-3     | 1    | Nut-SHH               |
| 33  | 3234-33     | 4    | Screw-HHF             |
| 36  | 104-3463-03 | 2    | Mount-Front ASM       |
| 37  | 104-3464-03 | 1    | Mount-Frame, LH Front |
| 38  | 43-0090     | 8    | Screw-HH              |
| 39  | 324-6       | 2    | Screw-HH              |
| 40  | 75-9900-01  | 1    | Support-Engine, Front |
| 41  | 105-0057    | 2    | Stud-Belt Retainer    |
| 42  | 104-3406-03 | 1    | Pulley-Fan            |
| 43  | 3257-33     | 1    | Key-Woodruff          |
| 44  | 302-10      | 1    | Fitting-Grease        |
| 45  | 3241-5      | 2    | Screw-Set             |
| 46  | 27-1960     | 1    | Hub-Engine            |
| 47  | 32120-69    | 1    | Ring-Snap             |
| 48  | 32120-22    | 1    | Ring-Snap, Internal   |
| 49  | 43-3720     | 1    | Collar-Bearing        |
| 50  | 251-252     | 1    | Bearing               |
| 51  | 3234-18     | 1    | Screw-HHF             |
| 52  | 3290-224    | 1    | Lockwasher-Pyramid    |



## Engine Mounting and Component Assembly (continued)

| Ref | Part No.    | Qty. | Description           |
|-----|-------------|------|-----------------------|
| 53  | 63-1400     | 1    | Rod-Belt              |
| 54  | 3296-39     | 1    | Nut-Lock, NI          |
| 55  | 104-3465-03 | 1    | Mount-Frame, RH Front |
| 56  | 321-4       | 1    | Screw-HH              |
| 57  | 104-3421-03 | 1    | Bracket-Throttle      |
| 58  | 2412-31     | 1    | Clamp-Boden           |
| 59  | 3253-3      | 1    | Washer-Lock           |
| 60  | 3217-5      | 1    | Nut-Hex               |
| 61  | 33113-050   | 1    | Screw-HH              |
| 62  | 48-8020     | 2    | Washer-Spring         |
| 63  | 48-7630     | 1    | Screw                 |
| 65  | 98-9676     | 1    | V-Belt                |
| 67  | 3234-24     | 2    | Screw-HHF             |
| 69  | 3296-39     | 2    | Nut-Lock, NI          |
| 70  | 105-2598-03 | 1    | Bracket-Muffler       |
| 71  | 18-9810     | 1    | Washer-Thrust         |
| 72  | 3256-22     | 2    | Washer-Flat           |
| 74  | 43-5930     | 1    | Washer-Spring         |
| 75  | 33013-00    | 1    | Nut-Hex               |
| 76  | 33094-00    | 1    | Washer-Plain          |
| 77  | 92-1374     | 1    | Screw-HH              |
| 78  | 3253-4      | 1    | Washer-Lock           |

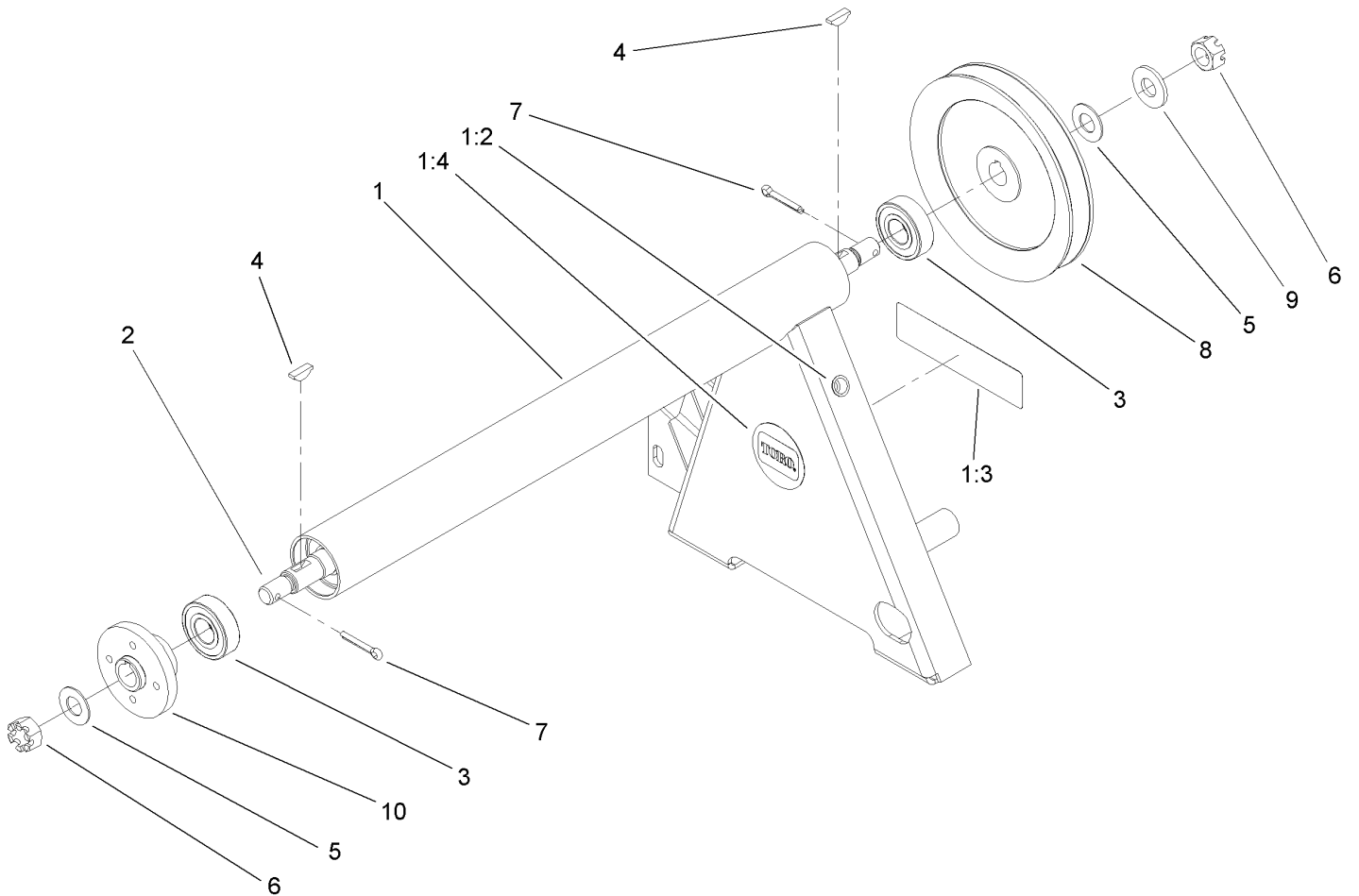
|  |  |  |  |
|--|--|--|--|
|  |  |  |  |
|  |  |  |  |
|  |  |  |  |
|  |  |  |  |



## Engine Pulley System Assembly

| Ref | Part No.    | Qty. | Description         |
|-----|-------------|------|---------------------|
| 1   | 93-7773     | 2    | Screw               |
| 2   | 3253-4      | 2    | Washer-Lock         |
| 3   | 105-0087    | 1    | Flange-Filler, Oil  |
| 4   | 98-7430     | 1    | O-Ring              |
| 5   | 106-4399    | 1    | Fan-Support ASM     |
| 6   | 3272-16     | 1    | Pin-Cotter          |
| 7   | 3257-30     | 1    | Key-Woodruff        |
| 8   | 43-3690     | 1    | Fan Shaft           |
| 9   | 3233-14     | 1    | Screw-CARR          |
| 10  | 3234-11     | 6    | Screw-HHF           |
| 11  | 105-2501-03 | 1    | Engine Mount ASM    |
| 12  | 38-7820     | 1    | Bearing-Ball        |
| 13  | 105-2524    | 1    | Hub-Pulley          |
| 14  | 3-6803      | 2    | Washer-Adjusting    |
| 15  | 29-8910     | 1    | Washer              |
| 16  | 32136-3     | 1    | Nut-SHH             |
| 17  | 105-3699    | 2    | Pulley-Idler, Flat  |
| 18  | 32128-23    | 2    | Nut-HF              |
| 19  | 105-3693    | 1    | Belt-Fan            |
| 20  | 42-9600     | 6    | Washer-Lock, Spring |
| 21  | 3274-106    | 6    | Screw-HSH           |
| 22  | 104-3407-03 | 1    | Pulley-Flywheel     |
| 23  | 105-2520-03 | 1    | Engine Mount ASM    |
| 24  | 32128-37    | 2    | Nut-HF              |

| Ref | Part No.    | Qty. | Description            |
|-----|-------------|------|------------------------|
| 25  | 3290-357    | 4    | Nut-HHF, Whiz          |
| 26  | 53-9680     | 2    | Mount-Engine           |
| 27  | 53-9480     | 2    | Washer-Snubber         |
| 28  | 324-11      | 2    | Screw-HH               |
| 29  | 33014-00    | 2    | Nut-Hex                |
| 30  | 33004-00    | 2    | Nut-HF                 |
| 31  | 56-2140     | 2    | Bolt                   |
| 32  | 105-0058    | 1    | Spacer-Fan Idler       |
| 33  | 105-2502    | 2    | Stud                   |
| 34  | 105-4263    | 1    | Swivel-Cable, Throttle |
| 35  | 105-2507-03 | 1    | Cradle-Tube Support    |
| 36  | 68-0020     | 2    | Idler Pivot Spacer     |
| 37  | 3296-20     | 1    | Nut-Lock, NI           |
| 38  | 25-8640     | 1    | Screw-HH               |
| 40  | 32128-21    | 2    | Nut-HF                 |

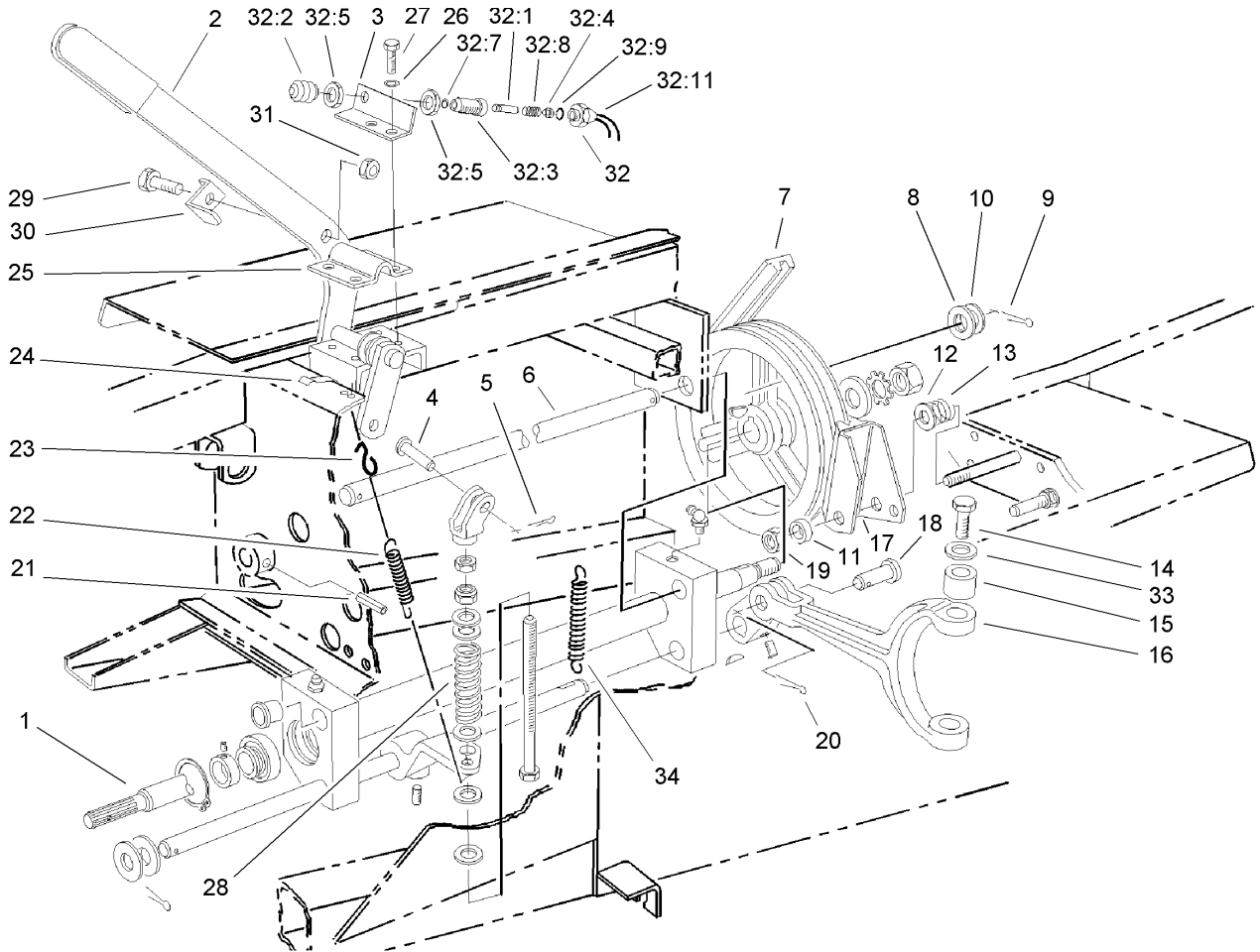


### Fan Support Assembly No. 106-4399

| Ref | Part No.    | Qty. | Description      |
|-----|-------------|------|------------------|
| 1   | 105-2592    | 1    | Tube Support ASM |
| 1:2 | 3290-472    | 2    | Insert-Threaded  |
| 1:3 | 106-8120    | 1    | Decal-Danger, Ce |
| 1:4 | 68-5370     | 1    | Decal            |
| 2   | 43-3690     | 1    | Fan Shaft        |
| 3   | 38-7820     | 2    | Bearing-Ball     |
| 4   | 3257-30     | 2    | Key-Woodruff     |
| 5   | 18-9810     | 2    | Washer-Thrust    |
| 6   | 32136-3     | 2    | Nut-SHH          |
| 7   | 3272-16     | 2    | Pin-Cotter       |
| 8   | 105-2524    | 1    | Hub-Pulley       |
| 9   | 29-8910     | 1    | Washer           |
| 10  | 104-3408-03 | 1    | Hub-Fan          |

|  |  |  |  |
|--|--|--|--|
|  |  |  |  |
|  |  |  |  |
|  |  |  |  |
|  |  |  |  |
|  |  |  |  |
|  |  |  |  |
|  |  |  |  |
|  |  |  |  |
|  |  |  |  |
|  |  |  |  |

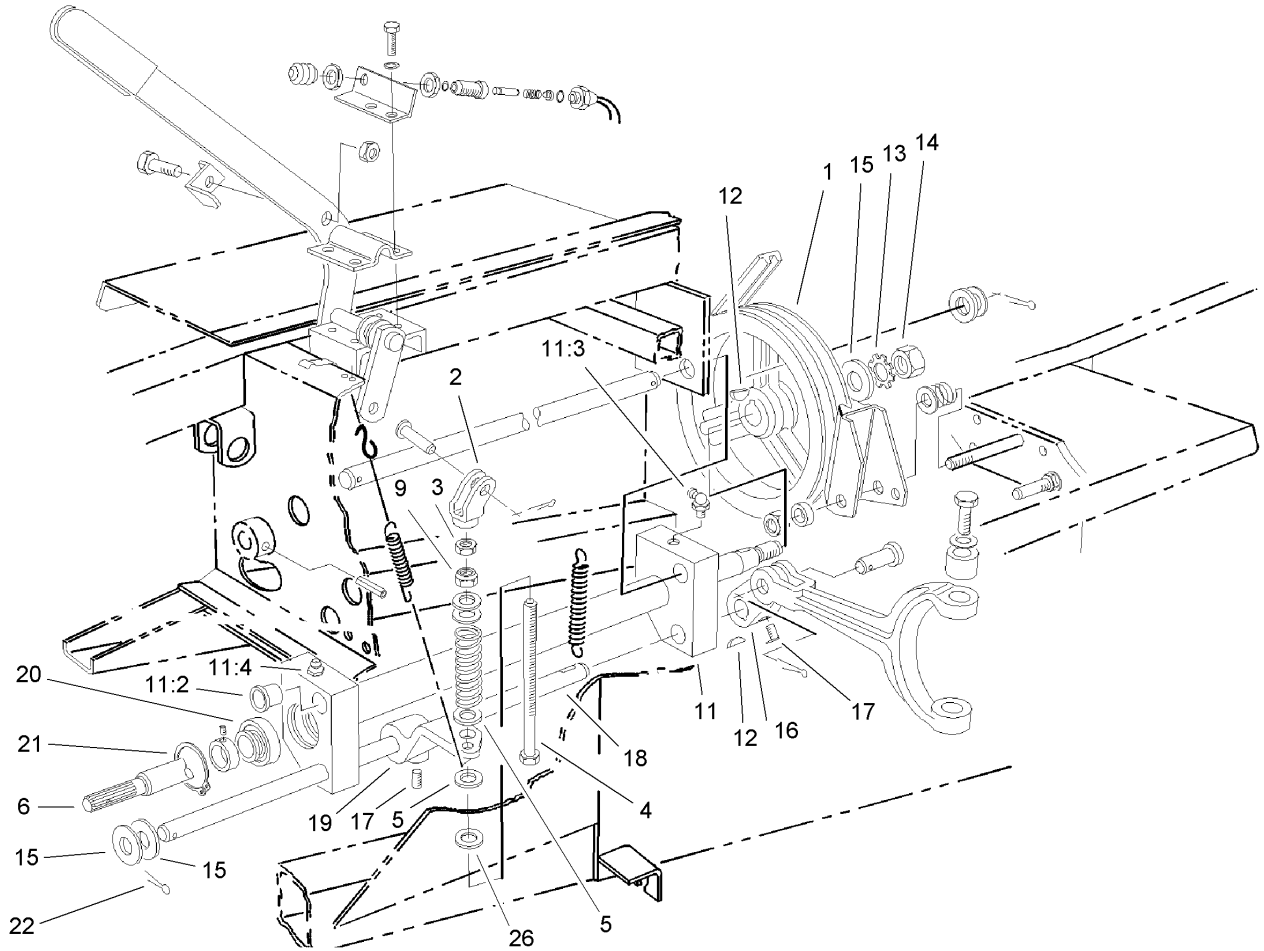




## PTO and Shaft Assembly

| Ref | Part No.   | Qty. | Description           |
|-----|------------|------|-----------------------|
| 1   |            | 1    | PTO ASM               |
| 2   | 84-8500-01 | 1    | Lever-PTO             |
| 3   | 84-8520-01 | 1    | Bracket-Switch, PTO   |
| 4   | 283-42     | 1    | Pin-Clevis            |
| 5   | 3272-6     | 1    | Pin-Cotter            |
| 6   | 43-3860    | 1    | Shaft-Pivot, PTO      |
| 7   | 106-4383   | 1    | V-Belt                |
| 8   | 3256-28    | 1    | Washer-Flat           |
| 9   | 3272-22    | 1    | Pin-Cotter            |
| 10  | 3-6498     | 3    | Washer-Thrust         |
| 11  | 3-8812     | 1    | Spacer-Spring, Anchor |
| 12  | 3256-6     | 1    | Washer-Flat           |
| 13  | 5-1747     | 1    | Spring-Adjustment     |
| 14  | 92-5727    | 2    | Screw-Lock, Patch     |
| 15  | 92-5723    | 2    | Bushing-Fork, PTO     |
| 16  | 92-4060-03 | 1    | Fork-PTO              |
| 17  | 27-7370    | 1    | PTO Brake ASM         |
| 18  | 93-3769    | 1    | Pin-Clevis            |
| 19  | 3296-28    | 1    | Nut-Lock, NI          |
| 20  | 3272-11    | 1    | Pin-Cotter            |
| 21  | 32121-9    | 1    | Pin-Roll, Slotted     |
| 22  | 21-1830    | 1    | Spring-Extension      |
| 23  | 5-0701     | 1    | Anchor                |
| 24  | 212-93     | 3    | Clamp-Casing          |

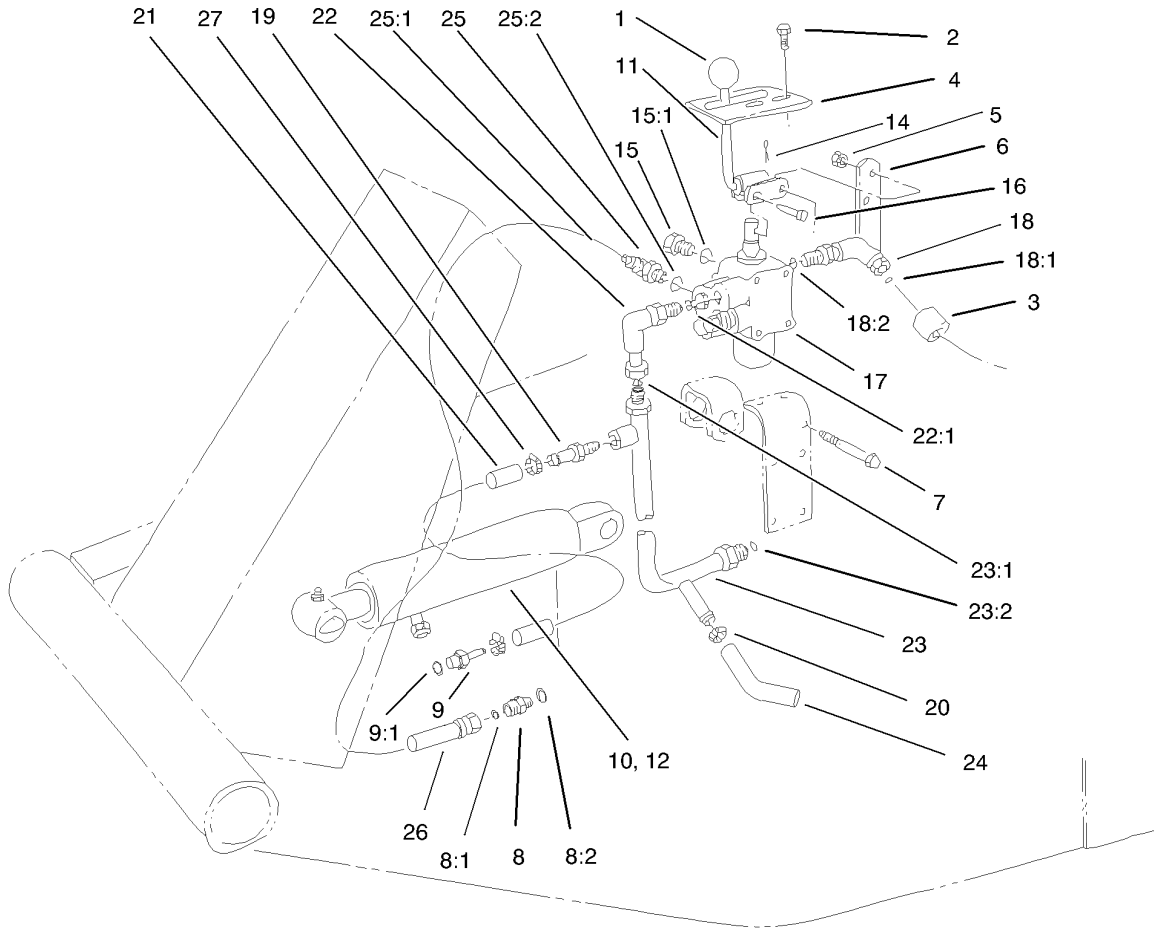
| Ref   | Part No.   | Qty. | Description              |
|-------|------------|------|--------------------------|
| 25    | 21-1600    | 1    | Clamp-Lever, PTO         |
| 26    | 3253-21    | 4    | Washer-Lock              |
| 27    | 32104-6    | 4    | Screw-HH                 |
| 28    | 21-0400-01 | 1    | Spring-Compression       |
| 29    | 321-4      | 1    | Screw-HH                 |
| 30    | 86-7050    | 1    | Bracket-Switch, Actuator |
| 31    | 3296-16    | 1    | Nut-Lock, NI             |
| 32    | 43-9071    | 1    | Limit Switch ASM         |
| 32:1  | 43-8860    | 1    | Plunger-Switch           |
| 32:2  | 43-8870    | 1    | Boot-Switch              |
| 32:3  | 43-8620    | 1    | Pin-Guide, Switch        |
| 32:4  | 43-8610    | 1    | Guide                    |
| 32:5  | 218-461    | 2    | Nut-HH                   |
| 32:7  | 237-7      | 1    | O-Ring                   |
| 32:8  | 43-8600    | 1    | Spring-Compression       |
| 32:9  | 237-30     | 1    | O-Ring                   |
| 32:11 | 72-4320    | 1    | Switch-Ball              |
| 33    | 75-9890    | 2    | Washer-Shim              |
| 34    | 108-1368   | 1    | Spring-Extension         |



## Power-Take-Off Assembly

| Ref  | Part No. | Qty. | Description         |
|------|----------|------|---------------------|
| 1    | 21-0230  | 1    | Pulley-PTO          |
| 2    | 43-5630  | 1    | Yoke-PTO            |
| 3    | 3219-3   | 1    | Nut-Hex             |
| 4    | 27-7900  | 1    | Screw-Adjusting     |
| 5    | 3256-41  | 4    | Washer              |
| 6    | 43-5540  | 1    | Shaft-PTO           |
| 9    | 3296-6   | 1    | Nut-Lock            |
| 11   | 100-6599 | 1    | PTO Pivot ASM       |
| 11:2 | 256-113  | 4    | Bushing-Flange      |
| 11:3 | 302-10   | 1    | Fitting-Grease      |
| 11:4 | 302-2    | 1    | Fitting-Grease      |
| 12   | 3257-5   | 3    | Key-Woodruff        |
| 13   | 3254-7   | 1    | Washer-Lock, Int    |
| 14   | 3219-7   | 1    | Nut-Hex             |
| 15   | 3256-28  | 3    | Washer-Flat         |
| 16   | 92-4058  | 1    | Arm-PTO             |
| 17   | 3246-3   | 4    | Screw-HSH           |
| 18   | 43-5550  | 1    | Shaft-Actuator, PTO |
| 19   | 43-5570  | 1    | Arm-Actuator        |
| 20   | 251-252  | 2    | Bearing             |
| 21   | 32120-22 | 2    | Ring-Snap, Internal |
| 22   | 3272-22  | 1    | Pin-Cotter          |
| 26   | 5-0652   | 1    | Spacer              |

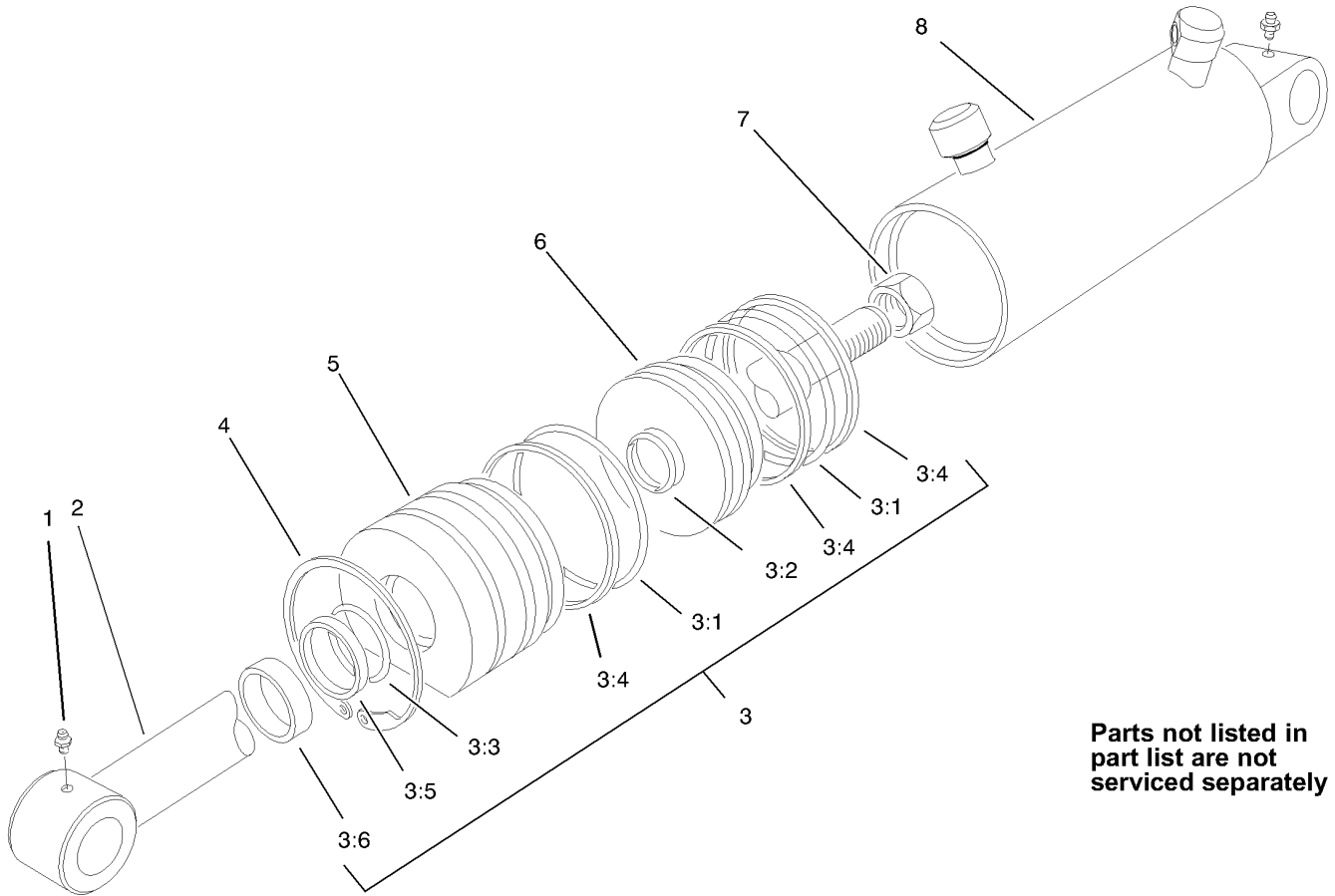
|  |  |  |  |
|--|--|--|--|
|  |  |  |  |
|  |  |  |  |
|  |  |  |  |
|  |  |  |  |



## Valve and Cylinder Assembly

| Ref  | Part No.    | Qty. | Description              |
|------|-------------|------|--------------------------|
| 1    | 233-21      | 1    | Knob                     |
| 2    | 32144-10    | 2    | Screw-HWH                |
| 3    | 38-3400     | 1    | Guard-Rubber             |
| 4    | 105-7806    | 1    | Latch-Lever, Valve       |
| 5    | 3296-42     | 5    | Nut-Lock, NI             |
| 6    | 21-9010     | 1    | Lever-Valve, Pivot Mount |
| 7    | 321-23      | 5    | Screw-HH                 |
| 8    | 340-2       | 1    | Fitting-HYD, Straight    |
| 8:1  | 237-22      | 1    | O-Ring                   |
| 8:2  | 237-42      | 1    | O-Ring                   |
| 9    | 95-8849     | 1    | Fitting-Straight, HYD    |
| 9:1  | 237-78      | 1    | O-Ring                   |
| 10   | 100-6586    | 1    | Cylinder-HYD, 2.5 Inch   |
| 11   | 105-7839-03 | 1    | Valve Lever ASM          |
| 12   | 100-6591    | 1    | Cylinder-HYD, 3 Inch     |
| 14   | 3272-4      | 1    | Pin-Cotter               |
| 15   | 353-512     | 1    | Plug                     |
| 15:1 | 237-78      | 1    | O-Ring                   |
| 16   | 283-17      | 1    | Pin-Clevis               |
| 17   | 106-8071-01 | 1    | Valve ASM                |
| 18   | 340-99      | 1    | Fitting-HYD, 90 DEG      |
| 18:1 | 237-30      | 1    | O-Ring                   |
| 18:2 | 237-42      | 1    | O-Ring                   |
| 19   | 304-73      | 1    | Connector-Hose           |

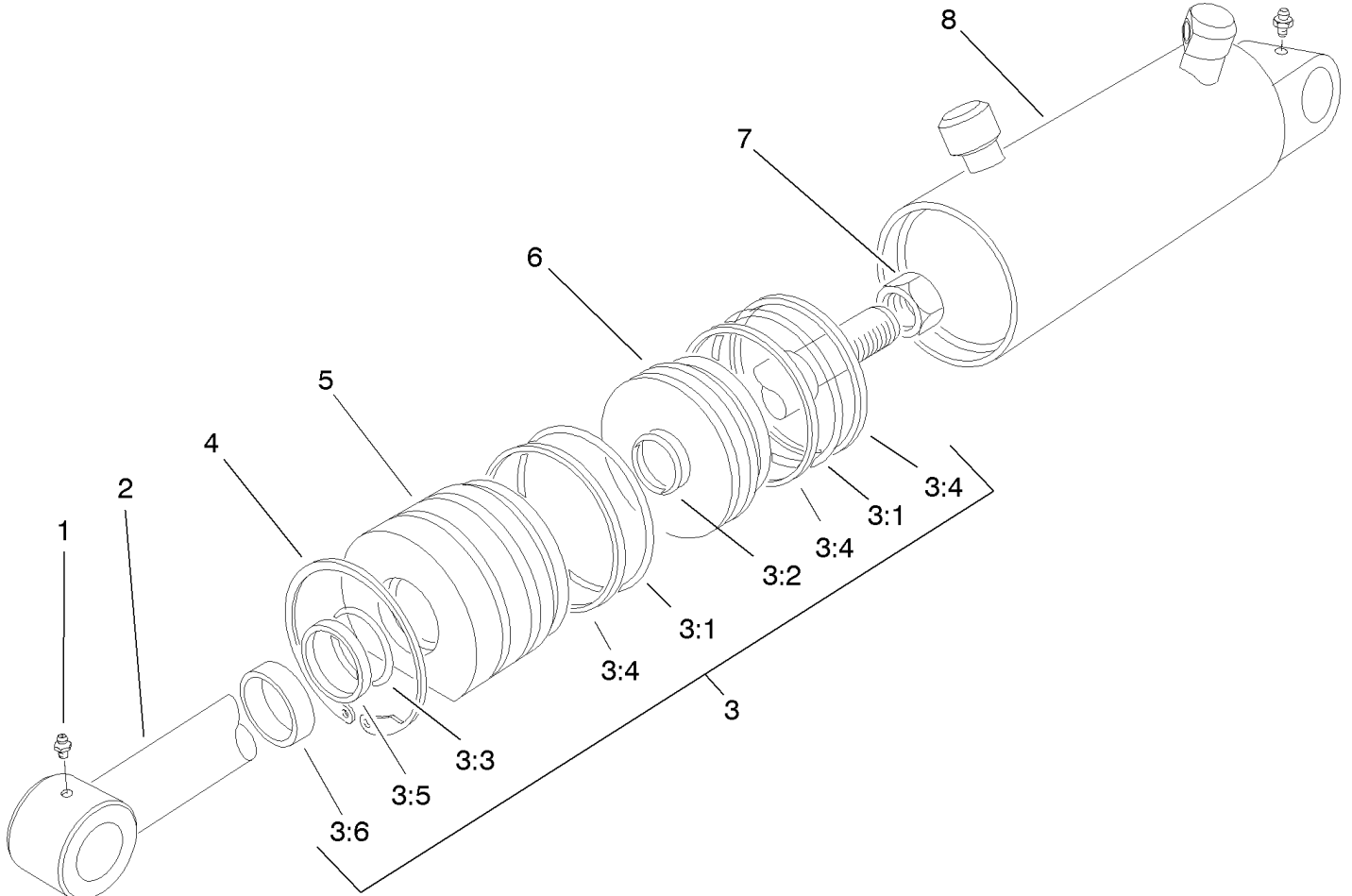
| Ref  | Part No. | Qty. | Description            |
|------|----------|------|------------------------|
| 20   | 2412-36  | 1    | Clamp-Hose             |
| 21   | 92-7834  | 1    | Hose                   |
| 22   | 340-110  | 1    | Fitting-Swivel, 90 DEG |
| 22:1 | 237-42   | 1    | O-Ring                 |
| 23   | 63-9260  | 1    | Manifold-Valve         |
| 23:1 | 237-22   | 1    | O-Ring                 |
| 23:2 | 237-30   | 1    | O-Ring                 |
| 24   | 63-8990  | 1    | Hose-Out / Cool        |
| 25   | 340-97   | 1    | Fitting-HYD, 90 DEG    |
| 25:1 | 237-22   | 1    | O-Ring                 |
| 25:2 | 237-78   | 1    | O-Ring                 |
| 26   | 92-7833  | 1    | Hose ASM               |
| 27   | 2412-108 | 2    | Clamp-Worm             |



## Hydraulic Cylinder Assembly No. 100-6586 (2-1/2 Inch Bore)

| Ref | Part No. | Qty. | Description    |
|-----|----------|------|----------------|
| 1   | 302-55   | 2    | Fitting-Grease |
| 2   |          | 1    | Shaft          |
| 3   | 61-4960  | 1    | Seal Kit       |
| 3:1 |          | 2    | Seal-Dust      |
| 3:2 |          | 1    | Seal-Dust      |
| 3:3 |          | 1    | Seal-Dust      |
| 3:4 |          | 3    | Backup         |
| 3:5 |          | 1    | Backup         |
| 3:6 |          | 1    | Seal-Dust      |
| 4   | 61-4990  | 1    | Ring-Retaining |
| 5   |          | 1    | Head           |
| 6   |          | 1    | Piston         |
| 7   |          | 1    | Nut            |
| 8   |          | 1    | Barrel         |

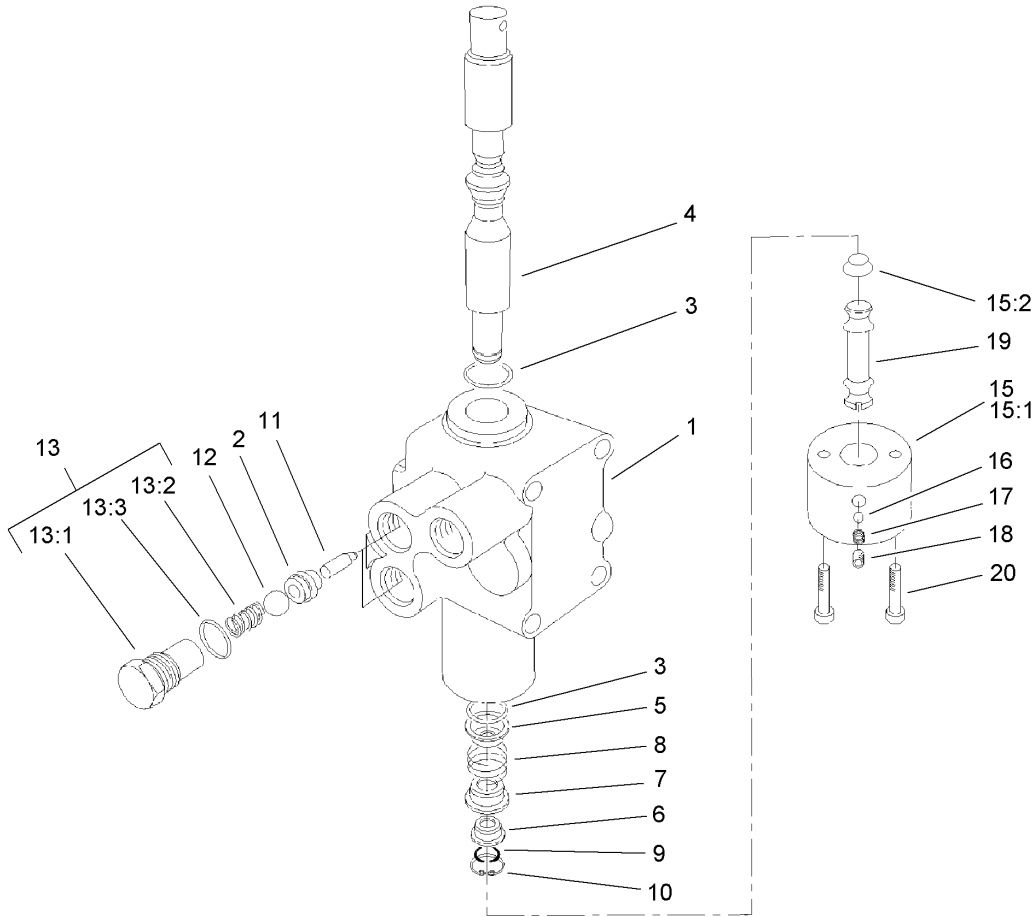
|  |  |  |  |
|--|--|--|--|
|  |  |  |  |
|--|--|--|--|



## Hydraulic Cylinder Assembly No. 100-6591 (Optional, 3 Inch Bore)

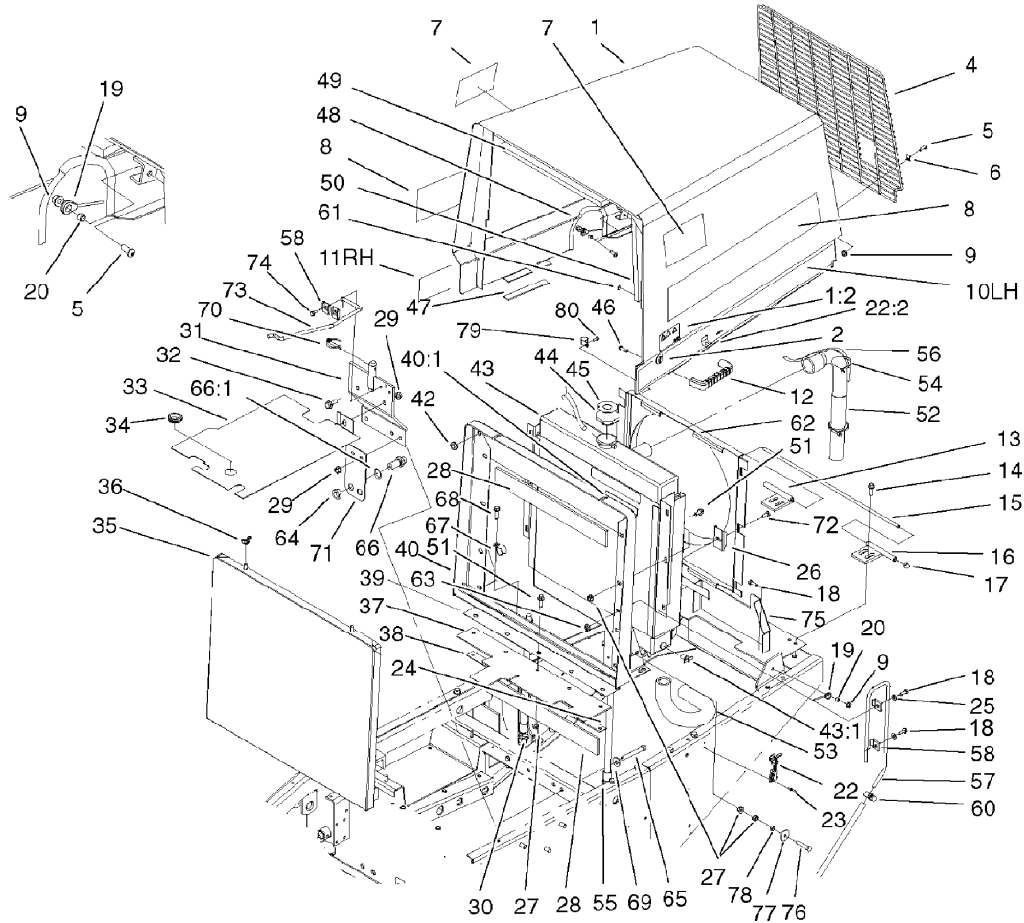
| Ref | Part No. | Qty. | Description    |
|-----|----------|------|----------------|
| 1   | 302-55   | 2    | Fitting-Grease |
| 2   |          | 1    | Shaft          |
| 3   | 67-5500  | 1    | Seal Kit       |
| 3:1 |          | 2    | Seal-Dust      |
| 3:2 |          | 1    | Seal-Dust      |
| 3:3 |          | 1    | Seal-Dust      |
| 3:4 |          | 3    | Backup         |
| 3:5 |          | 1    | Backup         |
| 3:6 |          | 1    | Seal-Dust      |
| 4   | 67-5470  | 1    | Ring-Snap      |
| 5   |          | 1    | Head           |
| 6   |          | 1    | Piston         |
| 7   |          | 1    | Nut            |
| 8   |          | 1    | Barrel         |

|  |  |  |  |
|--|--|--|--|
|  |  |  |  |
|--|--|--|--|



### Valve Assembly No. 106-8071-01

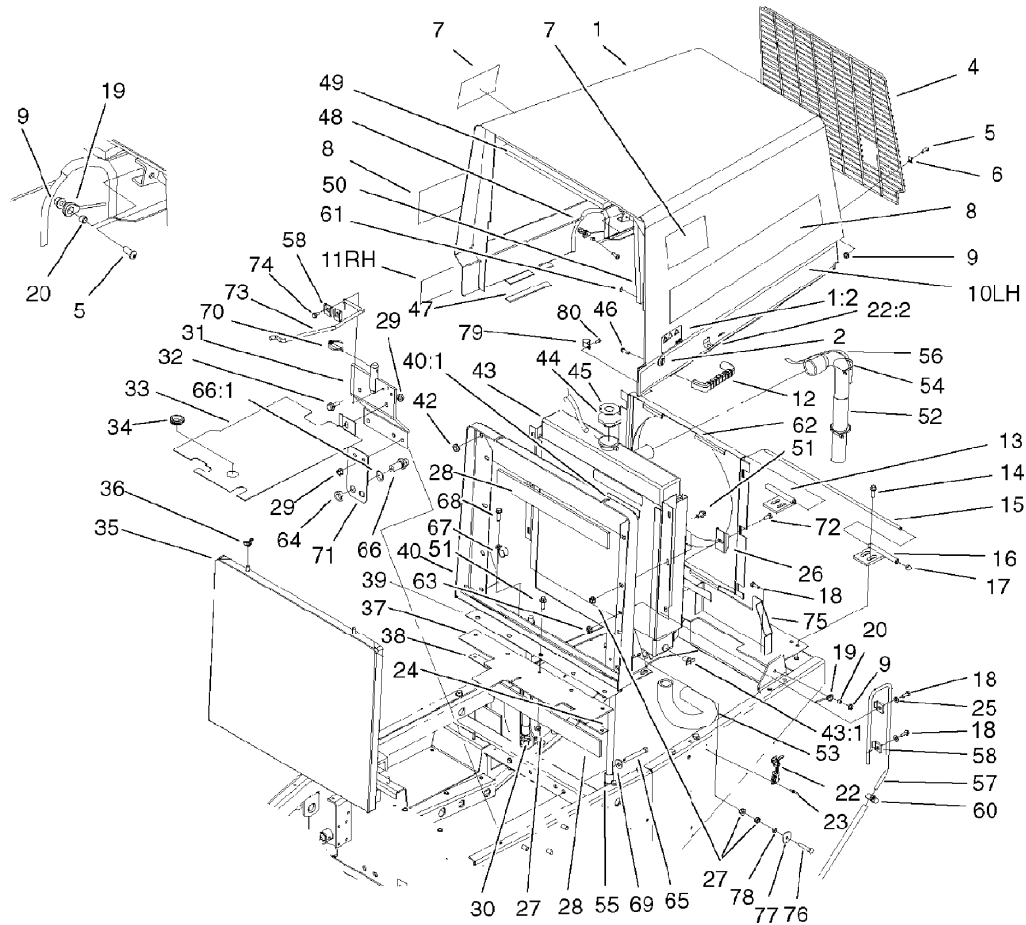
| Ref  | Part No. | Qty. | Description       |
|------|----------|------|-------------------|
| 1    |          | 1    | Body              |
| 2    | 22-8370  | 2    | Seat-Valve        |
| 3    | 22-8500  | 2    | O-Ring            |
| 4    | 105-7826 | 1    | Spool             |
| 5    | 22-8380  | 1    | Retainer          |
| 6    | 22-8400  | 1    | Spacer            |
| 7    | 22-8390  | 1    | Retainer          |
| 8    | 22-8410  | 1    | Spring            |
| 9    | 22-8480  | 1    | Ring-Snap         |
| 10   | 22-8490  | 1    | Ring-Snap         |
| 11   | 22-8360  | 2    | Pin               |
| 12   | 22-8350  | 2    | Ball              |
| 13   | 105-7827 | 2    | Plug ASM          |
| 13:1 | 22-8330  | 1    | Plug              |
| 13:2 | 22-8340  | 1    | Spring            |
| 13:3 | 237-42   | 1    | O-Ring            |
| 15   | 106-8070 | 1    | Detent Barrel ASM |
| 15:1 |          | 1    | Barrel-Detent     |
| 15:2 | 106-8068 | 1    | Plug-Dust         |
| 16   | 105-7829 | 2    | Ball-Steel        |
| 17   | 105-7830 | 2    | Spring            |
| 18   | 105-7831 | 2    | Screw-Set         |
| 19   | 105-7832 | 1    | Stud-Detent       |
| 20   | 105-7833 | 2    | Screw-Hs          |



## Radiator and Hood Assembly

| Ref  | Part No.    | Qty. | Description                |
|------|-------------|------|----------------------------|
| 1    | 105-4282    | 1    | Hood                       |
| 1:2  | 106-6754    | 1    | Decal-Danger               |
| 2    | 98-5398     | 1    | Latch                      |
| 4    | 105-0059-03 | 1    | Hood-Screen, Rear          |
| 5    | 3274-69     | 6    | Screw-HSBH                 |
| 6    | 2412-127    | 4    | Clamp-R                    |
| 7    | 66-6140     | 2    | Decal                      |
| 8    | 106-4394    | 2    | Decal                      |
| 9    | 32128-32    | 8    | Nut-HHF                    |
| 10   | 77-5140     | 1    | Decal-Hood, LH             |
| 11   | 77-5150     | 1    | Decal-Hood, RH             |
| 12   | 65-5100     | 1    | Handle-Door                |
| 13   | 67-8820-01  | 1    | RH Hinge ASM               |
| 14   | 3234-17     | 4    | Screw-HHF                  |
| 15   | 67-8840     | 1    | Hinge-Rod                  |
| 16   | 67-8810-01  | 1    | LH Hinge ASM               |
| 17   | 32111-8     | 2    | Nut-Lock, Cap              |
| 18   | 321-4       | 4    | Screw-HH                   |
| 19   | 77-3170     | 2    | Cable-Hood                 |
| 20   | 77-5250     | 4    | Spacer-Cable, Hood         |
| 22   | 59-9740     | 1    | Flex Draw Latch ASM        |
| 22:2 | 249-40      | 1    | Keeper                     |
| 23   | 3290-55     | 4    | Rivet-Pop                  |
| 24   | 63-9010     | 1    | Hose-Coolant, Transmission |

| Ref  | Part No.    | Qty. | Description               |
|------|-------------|------|---------------------------|
| 25   | 3256-22     | 2    | Washer-Flat               |
| 26   | 105-0012-03 | 6    | Clip-Mounting, Fan Shroud |
| 27   | 32128-20    | 15   | Nut-HF                    |
| 28   | 43-3320     | 2    | Foam-Radiator             |
| 29   | 32128-21    | 4    | Nut-HF                    |
| 30   | 63-8960     | 1    | Hose                      |
| 31   | 105-2542-01 | 1    | Bracket-Support, Seat     |
| 32   | 3234-11     | 1    | Screw-HHF                 |
| 33   | 105-2544-01 | 1    | Plate-Sealing             |
| 34   | 240-5       | 1    | Grommet                   |
| 35   | 67-9030-03  | 1    | Grille ASM                |
| 36   | 32103-2     | 2    | Nut-Wing                  |
| 37   | 67-8570     | 1    | Strip-Sealing             |
| 38   | 67-8470-03  | 1    | Strip-Retainer            |
| 39   | 105-4264-03 | 1    | Grill-Plate, Sealing      |
| 40   | 105-4293    | 1    | Radiator Support ASM      |
| 40:1 | 93-7272     | 3    | Decal-Warning             |
| 42   | 237-141     | 2    | Grommet-Rubber            |
| 43   | 108-8699    | 1    | Radiator ASM              |
| 43:1 | 304-46      | 1    | Draincock                 |
| 44   | 66-3240     | 1    | Cap-Radiator              |
| 45   | 106-5976    | 1    | Decal-Warning             |
| 46   | 46-8091     | 2    | Screw-HWH                 |
| 47   | 82-8950     | 2    | Foam                      |

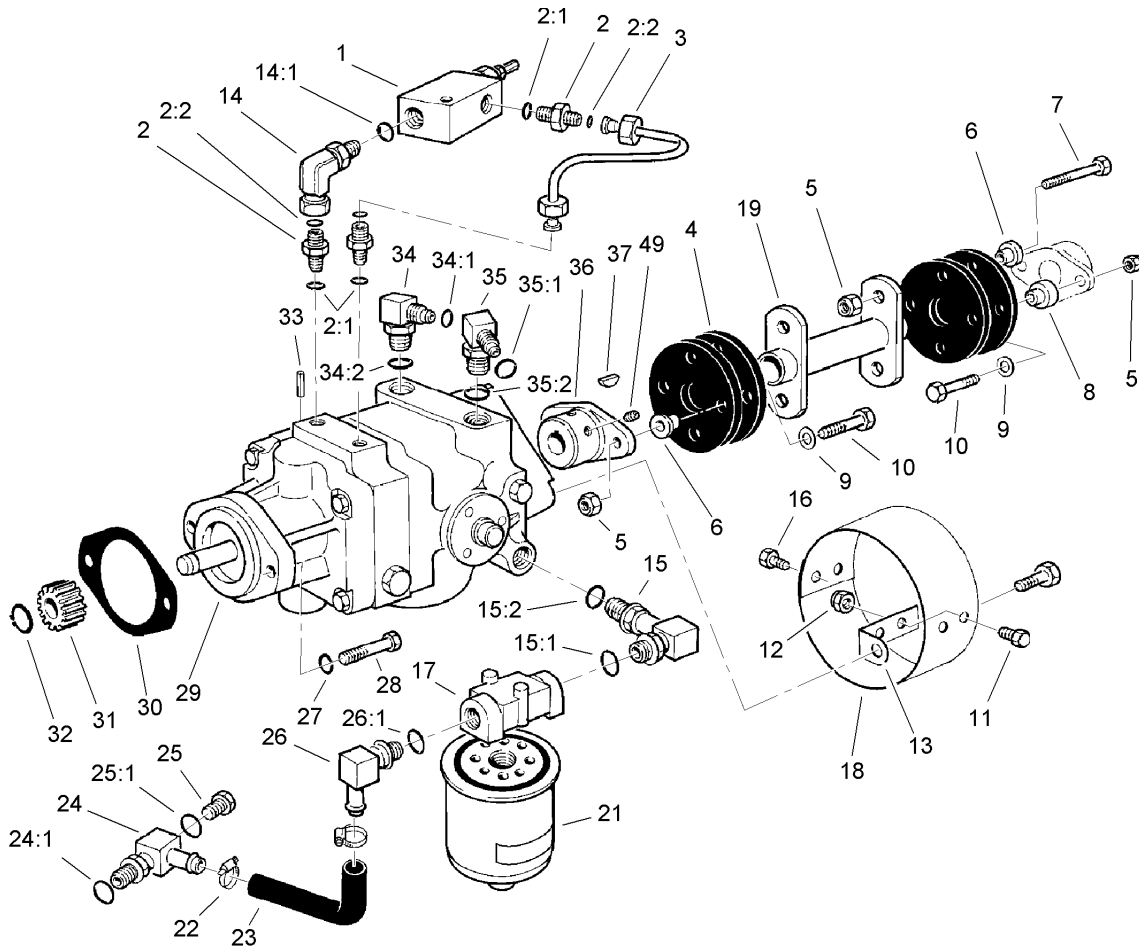


### Radiator and Hood Assembly (continued)

| Ref  | Part No.    | Qty. | Description                |
|------|-------------|------|----------------------------|
| 48   | 66-8111     | 1    | Trim-Hood                  |
| 49   | 77-5170     | 1    | Foam-Top                   |
| 50   | 77-5160     | 1    | Foam-Side, LH              |
| 51   | 3234-14     | 13   | Screw-HHF                  |
| 52   | 104-3433    | 1    | Hose-Radiator, Top         |
| 53   | 104-3432    | 1    | Hose-Radiator, Bottom      |
| 54   | 3290-379    | 6    | Tie-Cable                  |
| 55   | 38-3400     | 1    | Guard-Rubber               |
| 56   | 104-0076    | 1    | Hose-Fuel                  |
| 57   | 105-4265    | 1    | Tube-Vent                  |
| 58   | 3-6657      | 4    | Clip-Skid                  |
| 60   | 2412-108    | 1    | Clamp-Worm                 |
| 61   | 3269-10     | 2    | Washer-Back                |
| 62   | 105-0007-03 | 1    | Fan Shroud ASM             |
| 63   | 32128-33    | 1    | Nut-HF                     |
| 64   | 340-70      | 2    | Nut-Lock                   |
| 65   | 323-14      | 3    | Screw-HH                   |
| 66   | 340-71      | 2    | Fitting-Straight, Bulkhead |
| 66:1 | 237-22      | 2    | O-Ring                     |
| 67   | 2412-4      | 1    | Clamp                      |
| 68   | 11-0590     | 1    | Screw-HWHTF                |
| 69   | 5-0838      | 3    | Washer                     |
| 70   | 283-76      | 1    | Pin-Lynch                  |
| 71   | 68-9160     | 1    | Bracket                    |

| Ref | Part No.    | Qty. | Description      |
|-----|-------------|------|------------------|
| 72  | 3234-33     | 6    | Screw-HHF        |
| 73  | 86-7040     | 1    | Rod-Prop, Seat   |
| 74  | 32144-10    | 2    | Screw-HWH        |
| 75  | 105-4255-01 | 1    | Pulley Guard ASM |
| 76  | 322-41      | 1    | Screw-HH         |
| 77  | 3256-57     | 1    | Washer-Flat      |
| 78  | 3296-47     | 1    | Nut-Lock, NI     |
| 79  | 2412-83     | 1    | Clamp-Cable      |
| 80  | 32144-1     | 1    | Screw-Taptite    |



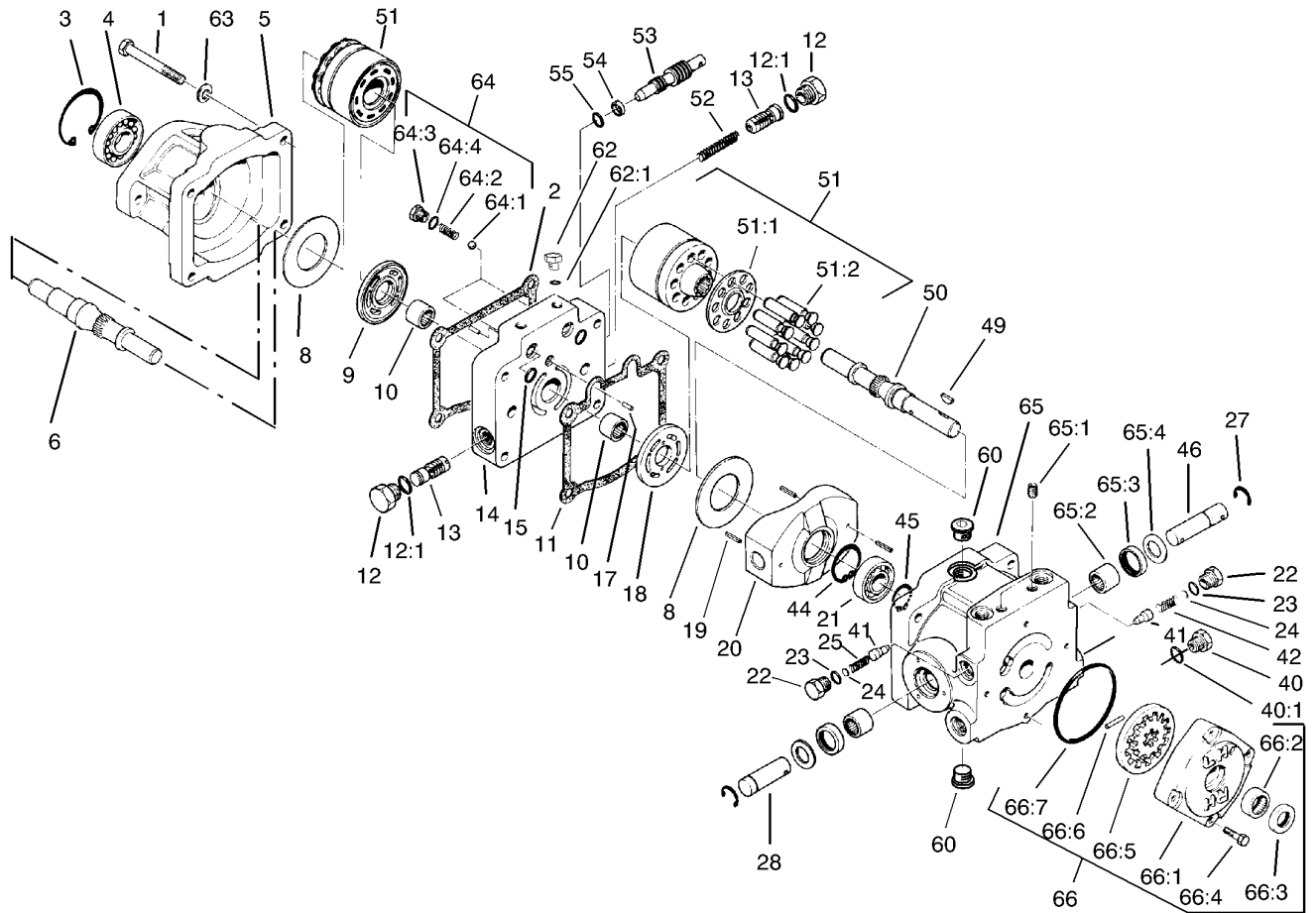


## Hydrostatic Transmission Assembly

| Ref  | Part No.    | Qty. | Description           |
|------|-------------|------|-----------------------|
| 1    | 72-3540     | 1    | Valve-Relief          |
| 2    | 340-92      | 3    | Fitting-HYD, Straight |
| 2:1  | 237-78      | 1    | O-Ring                |
| 2:2  | 237-21      | 1    | O-Ring                |
| 3    | 72-3550     | 1    | Tube                  |
| 4    | 44-2230     | 4    | Coupling-Rubber       |
| 5    | 32152-1     | 8    | Nut-Lock, Cone        |
| 6    | 71-4411     | 4    | Spacer                |
| 7    | 322-8       | 4    | Screw-HH              |
| 8    | 71-4410     | 4    | Spacer                |
| 9    | 3256-3      | 4    | Washer-Flat           |
| 10   | 322-10      | 4    | Screw-HH              |
| 11   | 321-2       | 2    | Screw-HH              |
| 12   | 3296-42     | 4    | Nut-Lock, NI          |
| 13   | 54-9290     | 2    | Bracket-Mounting      |
| 14   | 340-143     | 1    | Elbow-Swivel, 90 DEG  |
| 14:1 | 237-78      | 1    | O-Ring                |
| 15   | 68-8660     | 1    | Fitting-HYD, 90 DEG   |
| 15:1 | 237-80      | 1    | O-Ring                |
| 15:2 | 237-81      | 1    | O-Ring                |
| 16   | 321-4       | 2    | Screw-HH              |
| 17   | 68-8990     | 1    | Filter Head ASM       |
| 18   | 54-9300-03  | 1    | Cover-Shaft, Pump     |
| 19   | 105-0033-03 | 1    | Drive Shaft ASM       |

| Ref  | Part No. | Qty. | Description         |
|------|----------|------|---------------------|
| 21   | 23-9740  | 1    | Filter-Oil          |
| 22   | 2412-34  | 2    | Clamp-Hose          |
| 23   | 68-9650  | 1    | Hose-Axle           |
| 24   | 70-2620  | 1    | Fitting-HYD, 90 DEG |
| 24:1 | 237-81   | 1    | O-Ring              |
| 25   | 353-508  | 1    | Plug                |
| 25:1 | 237-42   | 1    | O-Ring              |
| 26   | 353-987  | 1    | Fitting-HYD, 90 DEG |
| 26:1 | 237-81   | 1    | O-Ring              |
| 27   | 3253-21  | 2    | Washer-Lock         |
| 28   | 323-7    | 2    | Screw-HH            |
| 29   | 92-8947  | 1    | Transmission ASM    |
| 30   | 41-8760  | 1    | Gasket              |
| 31   | 86-7220  | 1    | Gear-Pinion         |
| 32   | 32120-72 | 1    | Ring-Snap           |
| 33   | 32121-6  | 1    | Pin-Roll, Slotted   |
| 34   | 340-77   | 1    | Fitting-HYD, 90 DEG |
| 34:1 | 237-22   | 1    | O-Ring              |
| 34:2 | 237-42   | 1    | O-Ring              |
| 35   | 340-99   | 1    | Fitting-HYD, 90 DEG |
| 35:1 | 237-30   | 1    | O-Ring              |
| 35:2 | 237-42   | 1    | O-Ring              |
| 36   | 33-4380  | 1    | Hub-Pump            |
| 37   | 3257-32  | 1    | Key-Woodruff        |

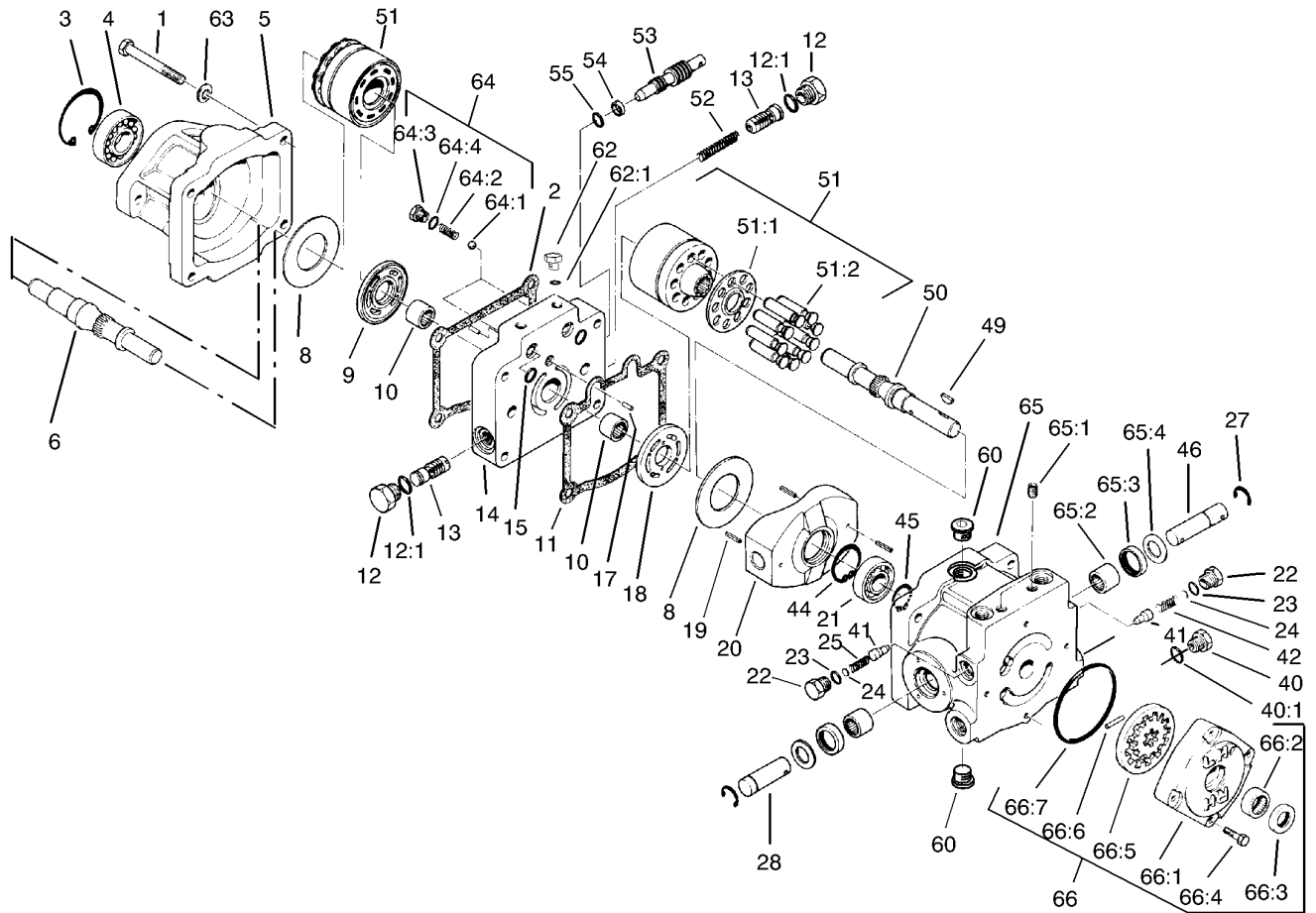




## Transmission Assembly No. 92-8947

| Ref  | Part No. | Qty. | Description           |
|------|----------|------|-----------------------|
| 1    | 323-56   | 4    | Screw-HH              |
| 2    | 67-9100  | 1    | Gasket                |
| 3    | 32120-8  | 1    | Ring-Snap             |
| 4    | 72-3750  | 1    | Bearing-Roller        |
| 5    | 67-9080  | 1    | Housing-Motor         |
| 6    | 46-8410  | 1    | Shaft-Motor           |
| 8    | 25-2380  | 2    | Plate-Thrust          |
| 9    | 25-2390  | 1    | Plate-Valve, Motor    |
| 10   | 46-8400  | 2    | Bearing-Shaft         |
| 11   | 25-2400  | 1    | Gasket                |
| 12   | 353-550  | 2    | Plug-HYD, HH          |
| 12:1 | 237-79   | 1    | O-Ring                |
| 13   | 25-2410  | 2    | Valve ASM             |
| 14   | 92-8918  | 1    | Section-Center        |
| 15   | 93-4132  | 2    | O-Ring                |
| 17   | 25-2430  | 2    | Pin-Dowel             |
| 18   | 25-2440  | 1    | Plate-Valve, Pump     |
| 19   | 32121-91 | 3    | Pin-Spring            |
| 20   | 25-2450  | 1    | Plate-Swash, Variable |
| 21   | 251-8    | 1    | Bearing-Ball          |
| 22   | 25-2460  | 2    | Plug-HH               |
| 23   | 237-86   | 4    | O-Ring                |
| 24   | 25-2470  | 2    | Pack-Shim             |
| 25   | 25-2480  | 1    | Spring-Valve          |

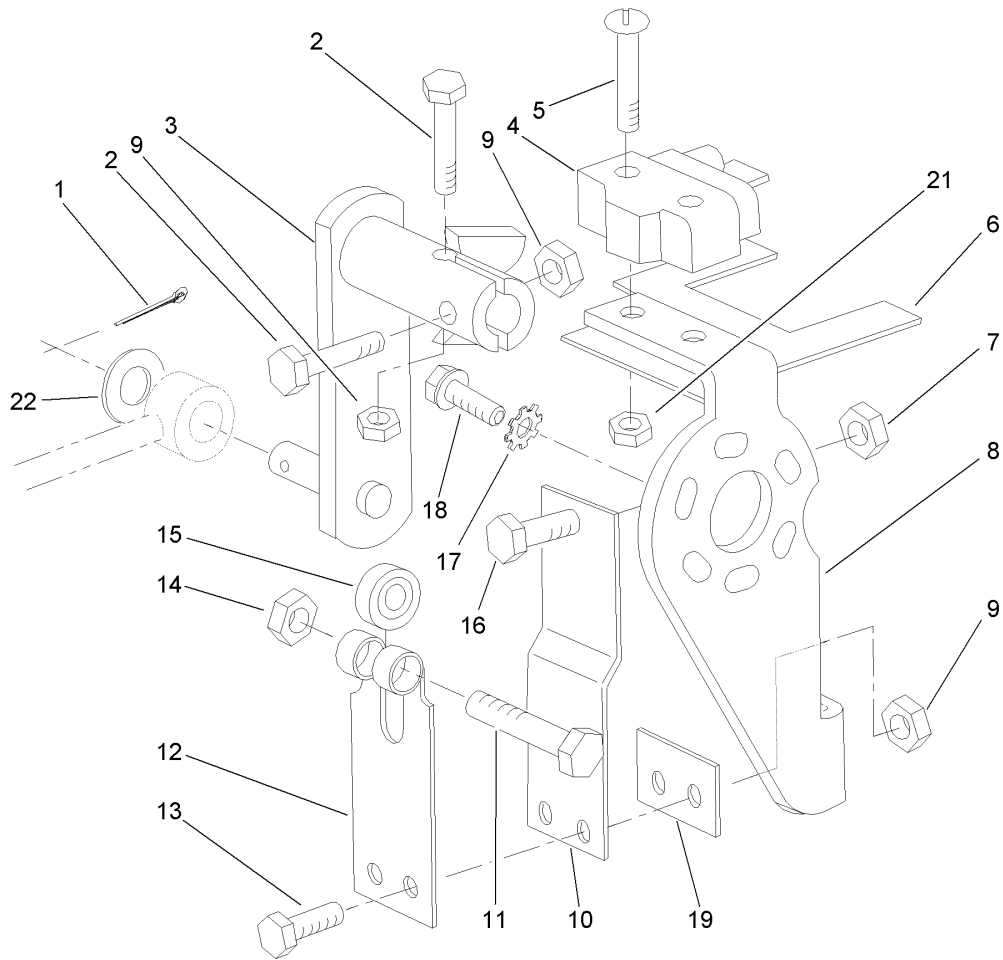
| Ref  | Part No. | Qty. | Description         |
|------|----------|------|---------------------|
| 27   | 32151-46 | 2    | Ring-Retaining      |
| 28   | 25-2500  | 1    | Shaft-Trunnion      |
| 40   | 353-551  | 1    | Plug-HH             |
| 40:1 | 237-80   | 1    | O-Ring              |
| 41   | 83-7260  | 2    | Cone-Relief, Charge |
| 42   | 25-2570  | 1    | Spring-Valve        |
| 44   | 32151-75 | 1    | Ring-Retaining      |
| 45   | 32120-15 | 1    | Ring-Snap, EXT      |
| 46   | 25-2580  | 1    | Shaft-Trunnion      |
| 49   | 3257-32  | 1    | Key-Woodruff        |
| 50   | 67-8020  | 1    | Shaft-Pump          |
| 51   | 48-1800  | 2    | Cylinder Block Kit  |
| 51:1 |          | 1    | Retainer-Slipper    |
| 51:2 |          | 9    | Piston ASM          |
| 52   | 25-2610  | 1    | Spring-Valve        |
| 53   | 88-8220  | 1    | Valve-By Pass       |
| 54   | 25-2630  | 1    | Ring-Back Up        |
| 55   | 237-22   | 1    | O-Ring              |
| 60   | 67-9090  | 1    | Plug ASM            |
| 62   | 92-8776  | 4    | Plug                |
| 62:1 | 92-8777  | 1    | O-Ring              |
| 63   | 93-0312  | 4    | Washer-Hardened     |
| 64   | 99-5689  | 1    | Check Valve ASM     |
| 64:1 | 25-2490  | 1    | Ball                |



### Transmission Assembly No. 92-8947 (continued)

| Ref  | Part No. | Qty. | Description            |
|------|----------|------|------------------------|
| 64:2 | 25-2640  | 1    | Spring-Valve           |
| 64:3 | 25-2650  | 1    | Plug-Valve, Check      |
| 64:4 | 237-86   | 1    | O-Ring                 |
| 65   | 54-7890  | 1    | Housing Kit            |
| 65:1 | 285-17   | 2    | Plug-Pipe              |
| 65:2 | 252-82   | 2    | Bearing-Needle         |
| 65:3 | 25-3210  | 2    | Seal-Lip               |
| 65:4 | 25-2510  | 2    | Washer-Flat            |
| 66   | 25-3190  | 1    | Charge Pump Kit        |
| 66:1 | 25-2550  | 1    | Housing-Pump, Charge   |
| 66:2 | 67-8050  | 1    | Bearing-Needle         |
| 66:3 | 93-4133  | 1    | Seal-Lip               |
| 66:4 | 322-4    | 4    | Screw-HH               |
| 66:5 | 25-2540  | 1    | Gerotor ASM            |
| 66:6 | 25-2530  | 1    | Pin-Straight, Headless |
| 66:7 | 237-95   | 1    | O-Ring                 |

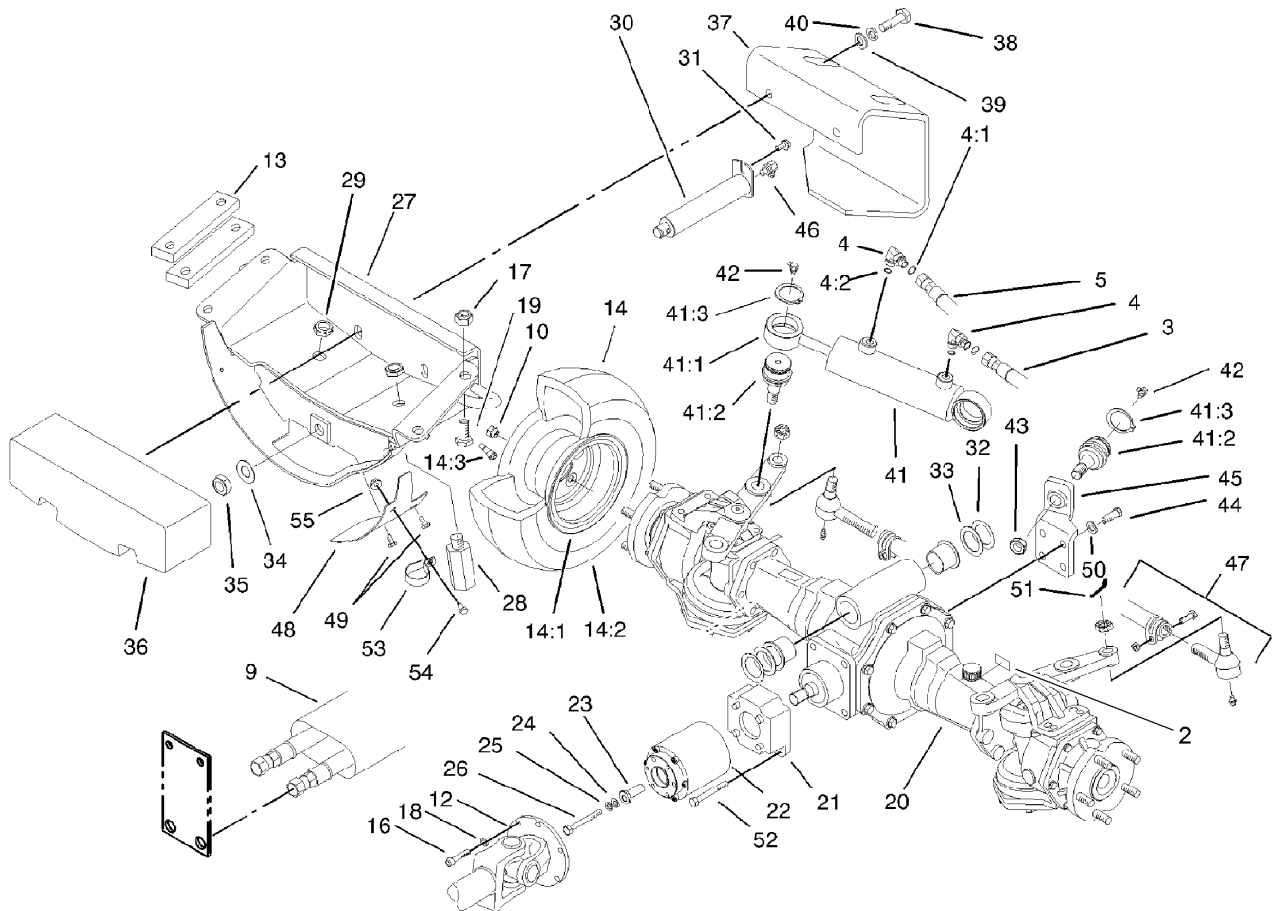
|  |  |  |  |
|--|--|--|--|
|  |  |  |  |
|--|--|--|--|



## Neutral Centering Device Assembly

| Ref | Part No.    | Qty. | Description              |
|-----|-------------|------|--------------------------|
| 1   | 3272-10     | 1    | Pin-Cotter               |
| 2   | 321-9       | 2    | Screw-HH                 |
| 3   | 108-6555-03 | 1    | Pump Lever ASM           |
| 4   | 29-6163     | 1    | Switch-Micro             |
| 5   | 32105-21    | 2    | Screw-HH                 |
| 6   | 46-8810     | 1    | Stop-Spring, Leaf        |
| 7   | 3219-2      | 1    | Nut-Hex                  |
| 8   | 29-6120-03  | 1    | Plate-Pump               |
| 9   | 3296-42     | 4    | Nut-Lock, NI             |
| 10  | 29-6170     | 1    | Extended Leaf Spring ASM |
| 11  | 322-17      | 1    | Screw-HH                 |
| 12  | 29-6150     | 1    | Spring-Leaf              |
| 13  | 321-6       | 2    | Screw-HH                 |
| 14  | 3296-29     | 1    | Nut-Lock, NI             |
| 15  | 251-259     | 1    | Bearing-Ball             |
| 16  | 3210-7      | 1    | Screw-HH                 |
| 17  | 3255-7      | 3    | Washer-Lock / EXT        |
| 18  | 49-2040     | 3    | Screw-HWHTF              |
| 19  | 51-3150     | 1    | Shim-Arm, Spring         |
| 21  | 3296-9      | 2    | Nut-Lock                 |
| 22  | 3256-6      | 1    | Washer-Flat              |

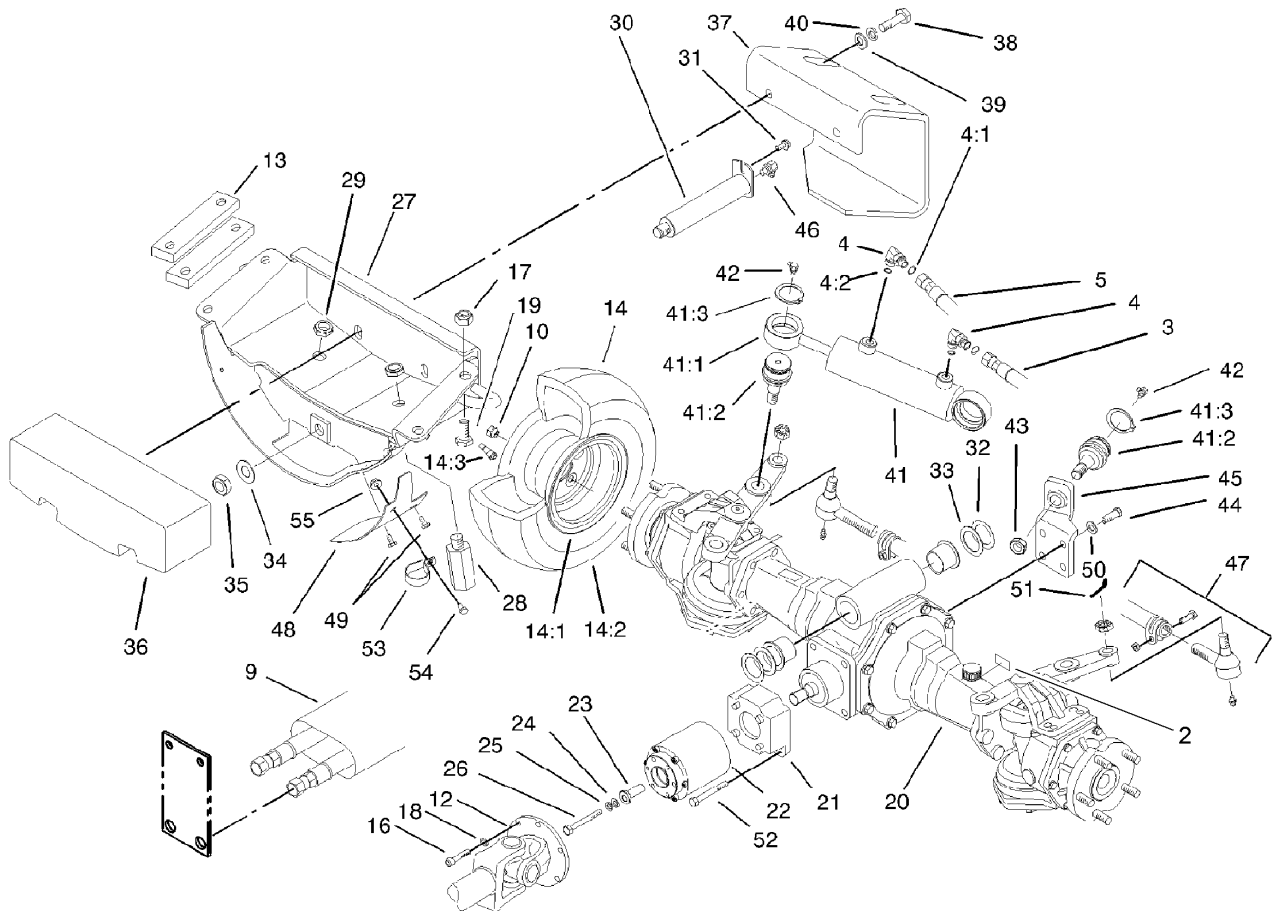
|  |  |  |  |
|--|--|--|--|
|  |  |  |  |
|--|--|--|--|



## 4 Wheel Drive Rear Axle Assembly

| Ref  | Part No.    | Qty. | Description             |
|------|-------------|------|-------------------------|
| 2    | 93-6697     | 1    | Decal-Lube              |
| 3    | 99-2407     | 1    | Hose ASM                |
| 4    | 340-97      | 2    | Fitting-HYD, 90 DEG     |
| 4:1  | 237-22      | 1    | O-Ring                  |
| 4:2  | 237-78      | 1    | O-Ring                  |
| 5    | 99-2408     | 1    | Hose ASM                |
| 9    | 56-7985     | 1    | Sleeve-Protective       |
| 10   | 93-5268     | 10   | Nut-Lug                 |
| 12   | 98-5009     | 1    | Driveshaft ASM          |
| 13   | 105-0073-01 | 4    | Spacer-Frame            |
| 14   | 105-7845    | 2    | Tire And Wheel ASM      |
| 14:1 | 105-7846    | 1    | Wheel                   |
| 14:2 | 231-122     | 1    | Tire                    |
| 14:3 | 232-27      | 1    | Stem-Valve              |
| 16   | 3274-8      | 12   | Screw-HSH               |
| 17   | 32128-23    | 4    | Nut-HF                  |
| 18   | 3253-3      | 12   | Washer-Lock             |
| 19   | 3234-46     | 4    | Screw-HHF               |
| 20   | 106-1120    | 1    | Rear Axle ASM           |
| 21   | 98-3860-03  | 1    | Adaptor-Locator, Clutch |
| 22   | 95-6296     | 1    | Clutch-Bidirectional    |
| 23   | 98-1823     | 1    | Spacer                  |
| 24   | 33094-00    | 1    | Washer-Plain            |
| 25   | 3253-4      | 1    | Washer-Lock             |

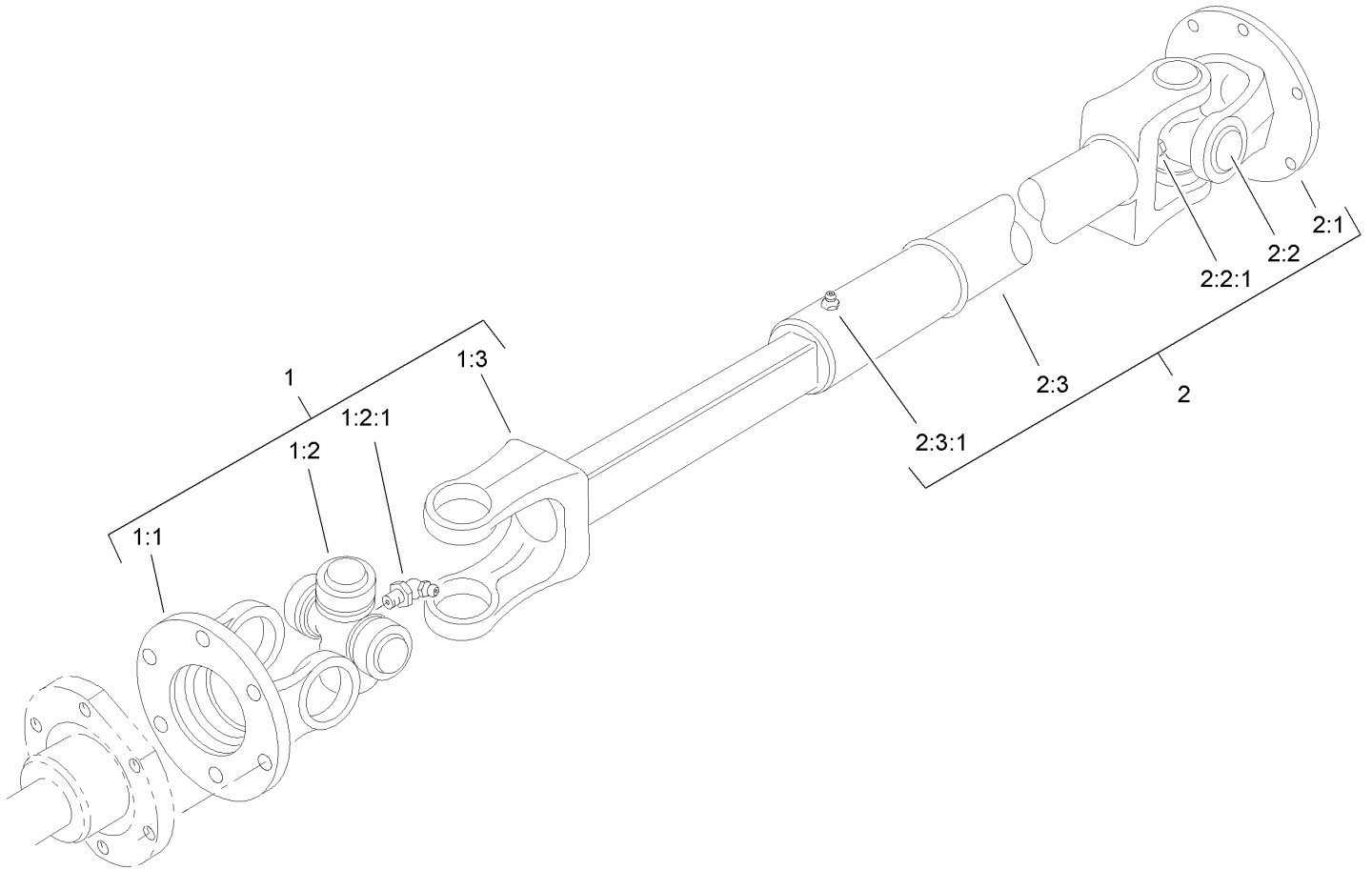
| Ref  | Part No.    | Qty. | Description               |
|------|-------------|------|---------------------------|
| 26   | 33114-050   | 1    | Screw-HH                  |
| 27   | 100-6570-01 | 1    | Axle Support ASM          |
| 28   | 98-3863     | 2    | Stop-Oscillation          |
| 29   | 3296-15     | 2    | Nut-Lock, NI              |
| 30   | 99-8434-03  | 1    | Rear Axle Pin ASM         |
| 31   | 32144-14    | 1    | Screw-HWH                 |
| 32   | 99-8431     | 1    | Washer-Thrust             |
| 33   | 99-8432     | 1    | Washer-Thrust             |
| 34   | 71-4540     | 1    | Washer-Thrust             |
| 35   | 32146-20    | 1    | Nut-Jam                   |
| 36   | 98-3869-01  | 1    | Weight-Rear               |
| 37   | 98-3880-03  | 1    | Bumper                    |
| 38   | 325-7       | 2    | Screw-HH                  |
| 39   | 3256-26     | 2    | Washer-Flat               |
| 40   | 3253-7      | 2    | Washer-Lock               |
| 41   |             | 1    | Steering Cylinder ASM     |
| 41:1 | 99-2415     | 1    | Cylinder-HYD              |
| 41:2 | 106-6774    | 2    | Joint-Ball                |
| 41:3 | 32151-104   | 2    | Ring-Retaining, External  |
| 42   | 302-11      | 2    | Fitting-Lube, 45 DEG      |
| 43   | 3220-6      | 4    | Nut-Jam                   |
| 44   | 95-8812     | 4    | Screw-HH                  |
| 45   | 98-3862-03  | 1    | Bracket-Support, Cylinder |
| 46   | 302-33      | 1    | Fitting-Grease            |



### 4 Wheel Drive Rear Axle Assembly (continued)

| Ref | Part No.   | Qty. | Description           |
|-----|------------|------|-----------------------|
| 47  | 98-3871-03 | 1    | Tie Rod ASM           |
| 48  | 99-2413-01 | 1    | Cover-Guard, Flywheel |
| 49  | 32144-10   | 2    | Screw-HWH             |
| 50  | 48-9220    | 4    | Washer                |
| 51  | 3272-12    | 2    | Pin-Cotter            |
| 52  | 87-3700    | 2    | Screw-Cap, HH         |
| 53  | 2412-74    | 1    | R-Clamp               |
| 54  | 321-2      | 1    | Screw-HH              |
| 55  | 32128-14   | 1    | Nut-HF                |

|  |  |  |  |
|--|--|--|--|
|  |  |  |  |
|--|--|--|--|

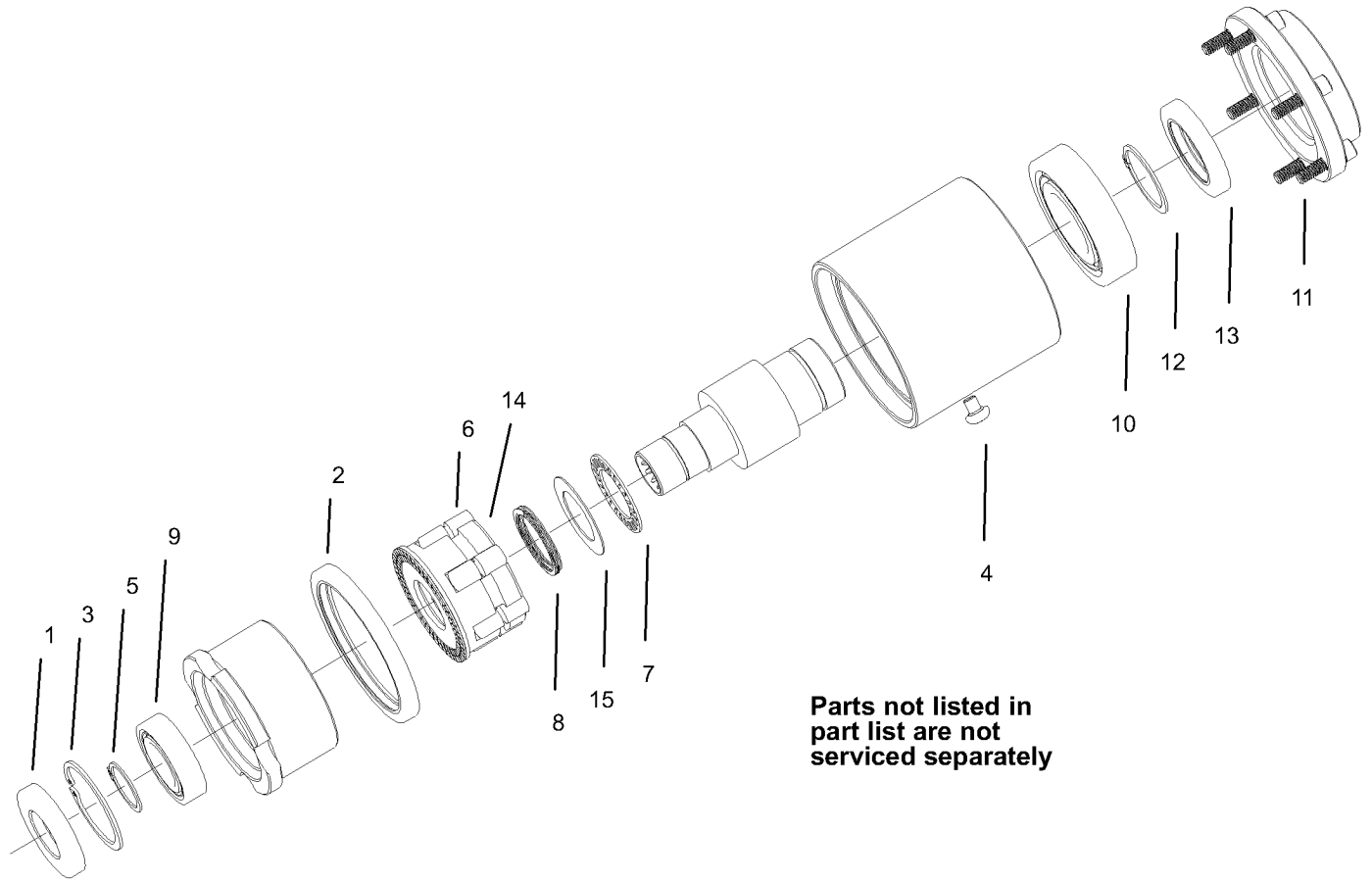


## Driveshaft Assembly No. 98-5009

| Ref   | Part No. | Qty. | Description         |
|-------|----------|------|---------------------|
| 1     | 92-5096  | 1    | Joint And Shaft ASM |
| 1:1   | 72-3410  | 1    | Yoke-Flange         |
| 1:2   | 54-9180  | 1    | U-Joint Kit         |
| 1:2:1 | 62-3820  | 1    | Fitting-Grease      |
| 1:3   | 72-3420  | 1    | Yoke And Shaft ASM  |
| 2     | 98-3882  | 1    | Joint And Tube ASM  |
| 2:1   | 72-3410  | 1    | Yoke-Flange         |
| 2:2   | 54-9180  | 1    | U-Joint Kit         |
| 2:2:1 | 62-3820  | 1    | Fitting-Grease      |
| 2:3   | 72-3431  | 1    | Yoke And Tube ASM   |
| 2:3:1 | 302-58   | 1    | Fitting-Grease      |

|  |  |  |  |
|--|--|--|--|
|  |  |  |  |
|--|--|--|--|

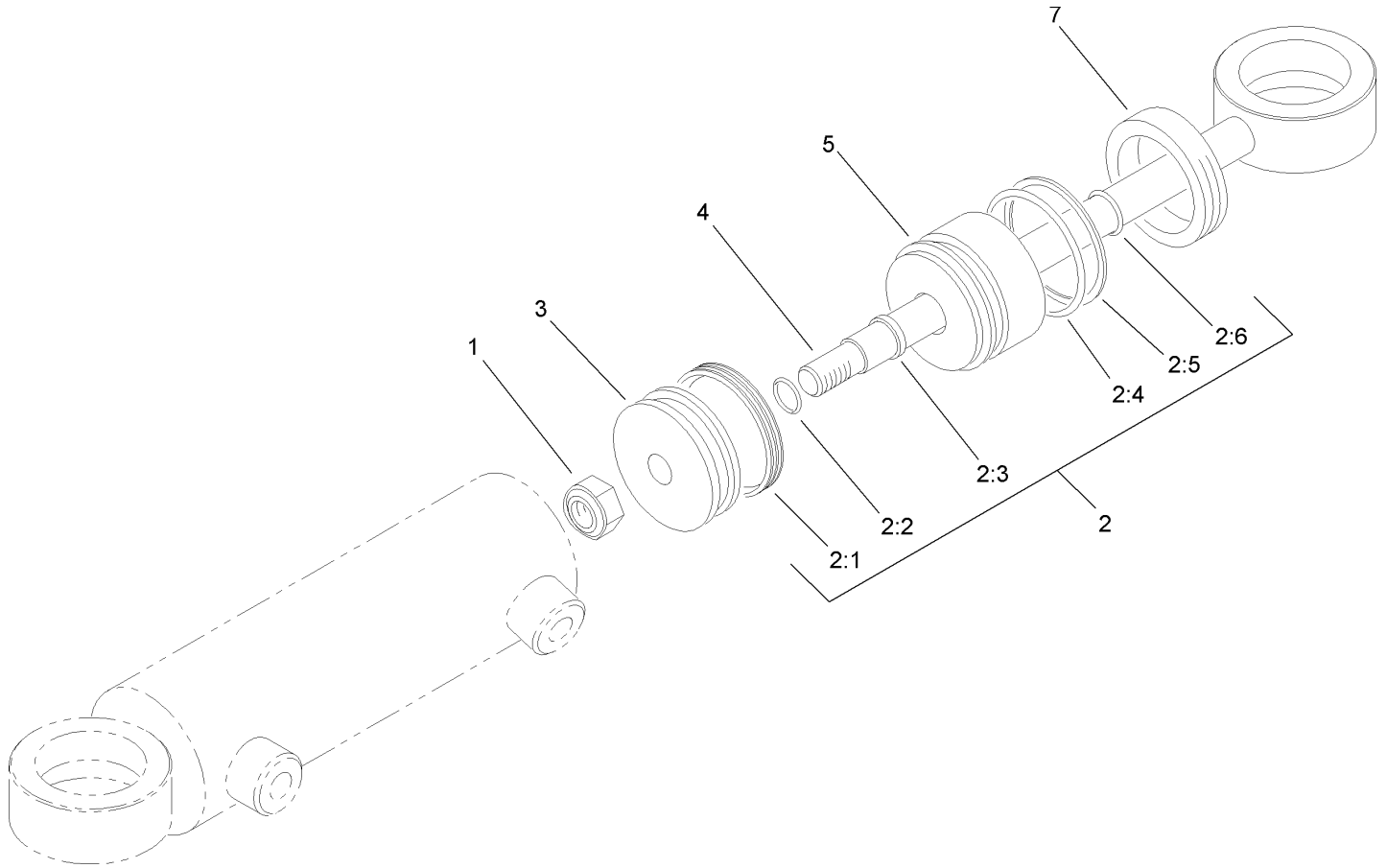




## Bi-Directional Clutch Assembly No. 95-6296

| Ref | Part No. | Qty. | Description            |
|-----|----------|------|------------------------|
| 1   | 100-6589 | 1    | Seal-Oil               |
| 2   | 100-6593 | 1    | Seal-Oil               |
| 3   | 32151-75 | 1    | Ring-Retaining         |
| 4   | 100-6596 | 1    | Screw-PPH              |
| 5   | 100-6597 | 1    | Ring-Snap, External    |
| 6   | 93-8925  | 6    | Roller                 |
| 7   | 93-8919  | 1    | Bearing-Needle, Thrust |
| 8   | 93-8923  | 1    | Spring-Wave            |
| 9   | 99-2902  | 1    | Bearing                |
| 10  | 92-9705  | 1    | Bearing                |
| 11  | 3245-6   | 6    | Screw-HSH              |
| 12  | 32120-84 | 1    | Ring-Snap, External    |
| 13  | 71-6790  | 1    | Seal-Oil               |
| 14  | 100-2568 | 1    | Roll Cage ASM          |
| 15  | 93-8929  | 1    | Washer-Thrust          |

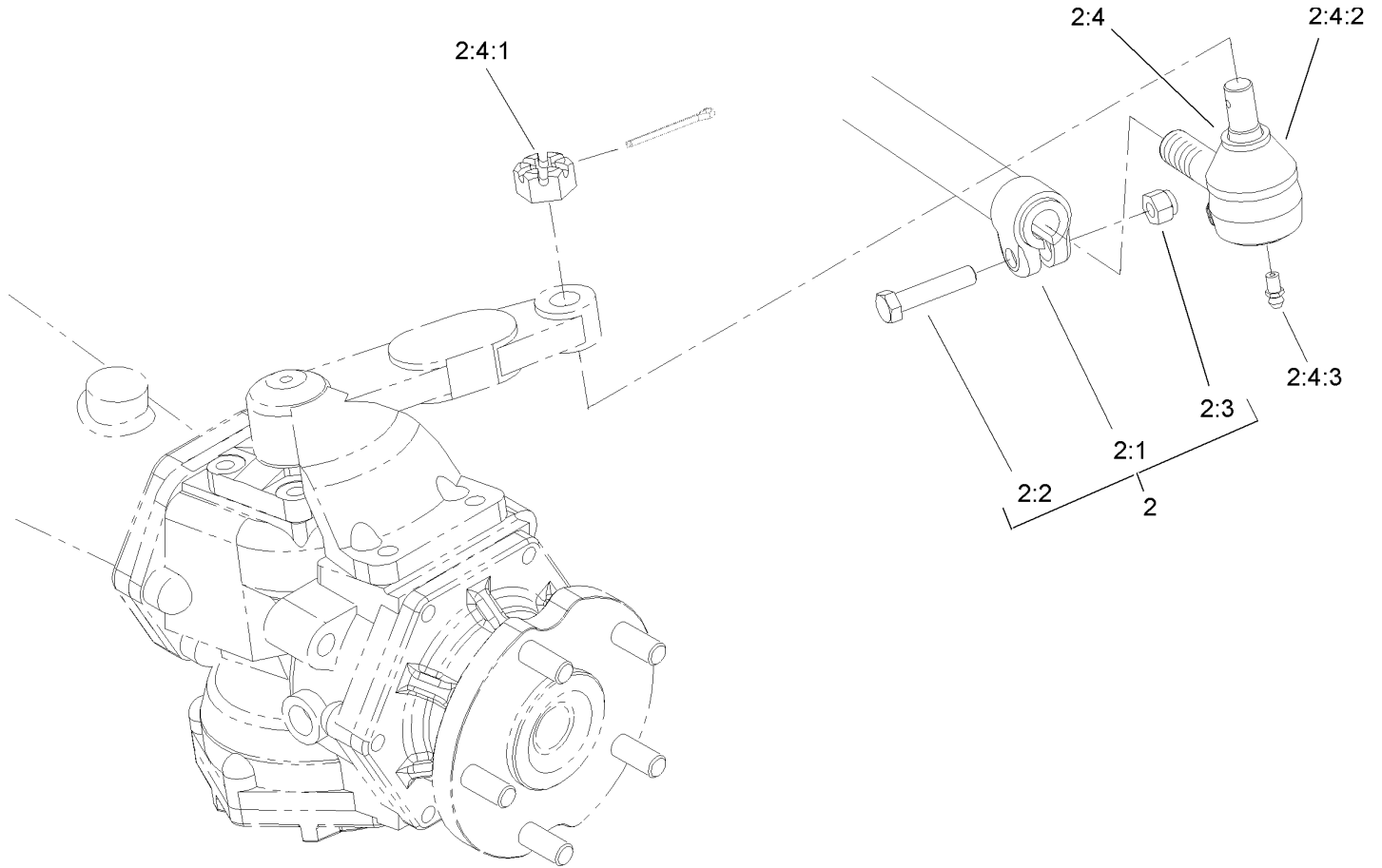
|  |  |  |  |
|--|--|--|--|
|  |  |  |  |
|--|--|--|--|



### Hydraulic Cylinder Assembly No. 99-2415

| Ref | Part No. | Qty. | Description     |
|-----|----------|------|-----------------|
| 1   | 32152-10 | 1    | Locknut         |
| 2   | 86-5390  | 1    | Seal Repair Kit |
| 2:1 |          | 1    | Uniring         |
| 2:2 |          | 1    | Seal-Dust       |
| 2:3 |          | 1    | Seal-Rod        |
| 2:4 |          | 1    | Seal-Dust       |
| 2:5 |          | 1    | Ring-Backup     |
| 2:6 |          | 1    | Seal-Dust       |
| 3   |          | 1    | Piston          |
| 4   |          | 1    | Rod             |
| 5   |          | 1    | Head            |
| 7   |          | 1    | Collar-Internal |

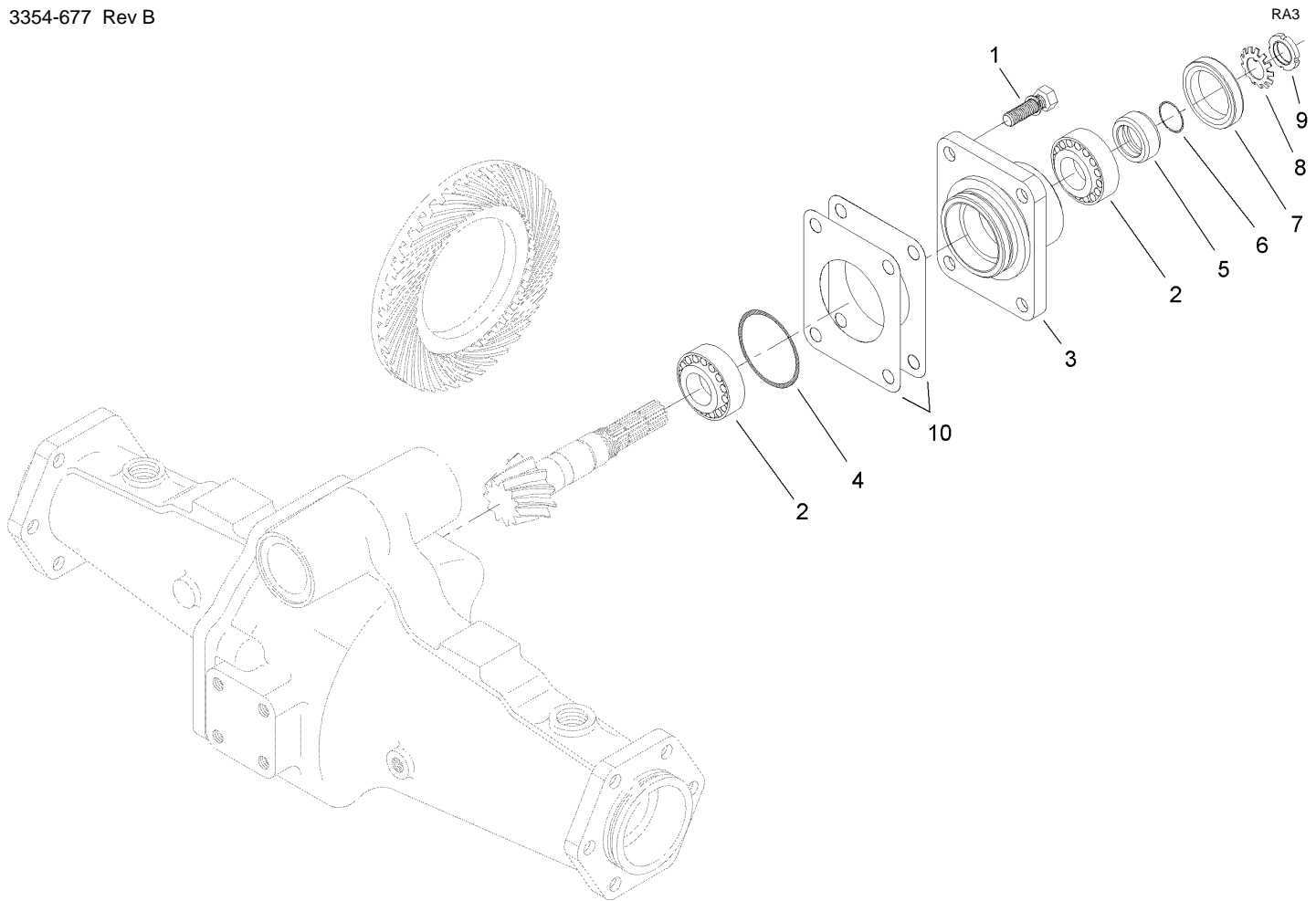
|  |  |  |  |
|--|--|--|--|
|  |  |  |  |
|--|--|--|--|



### Tie Rod Assembly No. 98-3871-03

| Ref   | Part No.   | Qty. | Description       |
|-------|------------|------|-------------------|
| 2     |            | 1    | Rod-Tie           |
| 2:1   | 99-2412-03 | 1    | Rod And Clamp ASM |
| 2:2   | 323-9      | 2    | Screw-HH          |
| 2:3   | 3296-39    | 2    | Nut-Lock, NI      |
| 2:4   | 71-4740    | 2    | End-Rod, Tie (RH) |
| 2:4:1 | 105-7941   | 1    | Nut-Hex, Slotted  |
| 2:4:2 | 105-7835   | 1    | Seal              |
| 2:4:3 | 302-5      | 1    | Fitting-Grease    |

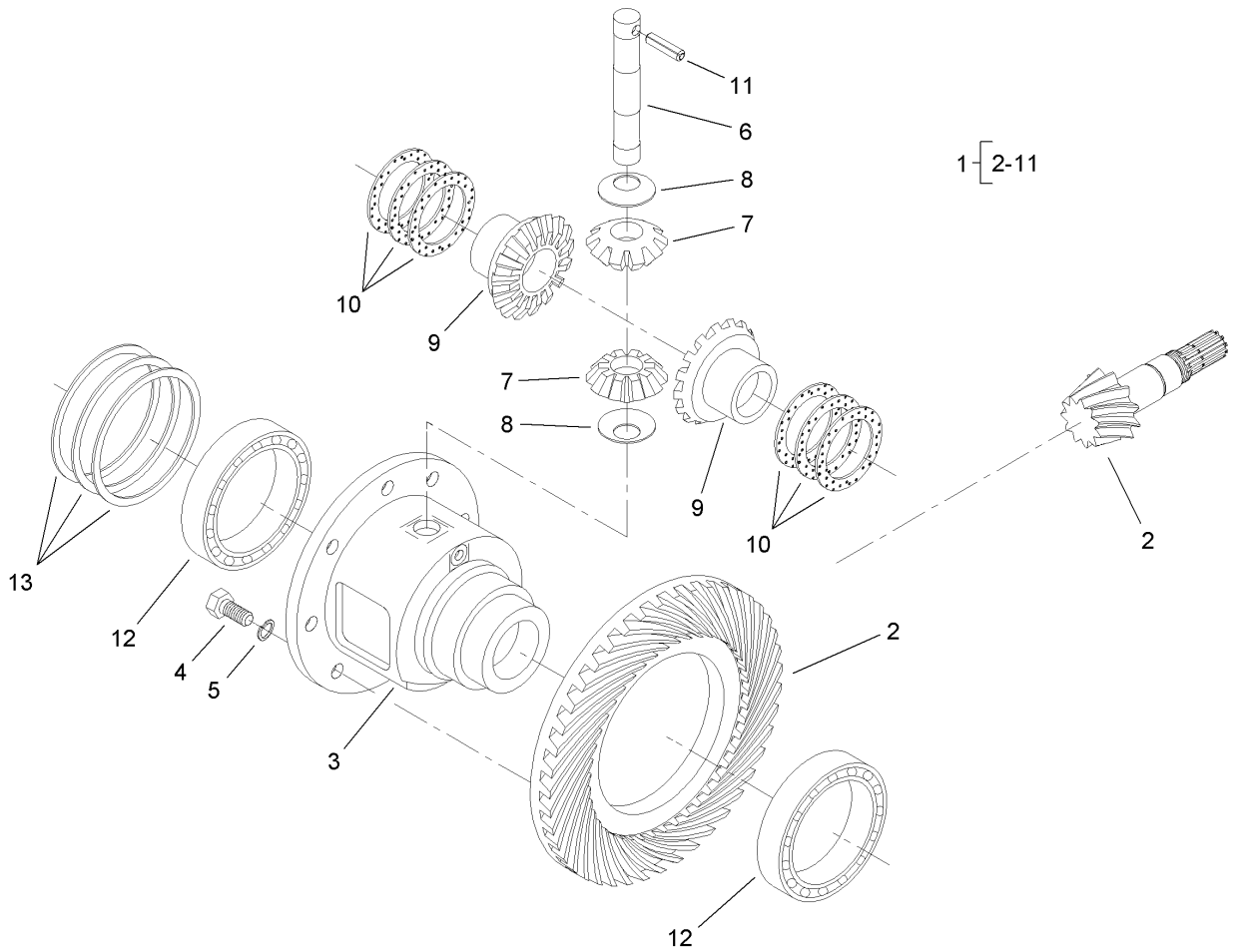
|  |  |  |  |
|--|--|--|--|
|  |  |  |  |
|  |  |  |  |
|  |  |  |  |
|  |  |  |  |
|  |  |  |  |
|  |  |  |  |
|  |  |  |  |
|  |  |  |  |
|  |  |  |  |
|  |  |  |  |



## Bevel Pinion Shaft Assembly Rear Axle Assembly No. 106-1120

| Ref | Part No. | Qty. | Description           |
|-----|----------|------|-----------------------|
| 1   | 99-7575  | 4    | Bolt                  |
| 2   | 99-7570  | 2    | Bearing-Roller, Taper |
| 3   | 95-7535  | 1    | Case-Bearing          |
| 4   | 106-1065 | 1    | O-Ring                |
| 5   | 99-7572  | 1    | Collar-Seal, Oil      |
| 6   | 106-1066 | 1    | O-Ring                |
| 7   | 99-7574  | 1    | Seal-Oil              |
| 8   | 99-7559  | 1    | Washer-Lock           |
| 9   | 99-7560  | 1    | Nut-Lock              |
| 10  | 99-7550  | 2    | Shim 0.1              |
| 10  | 99-7551  | 2    | Shim 0.2              |

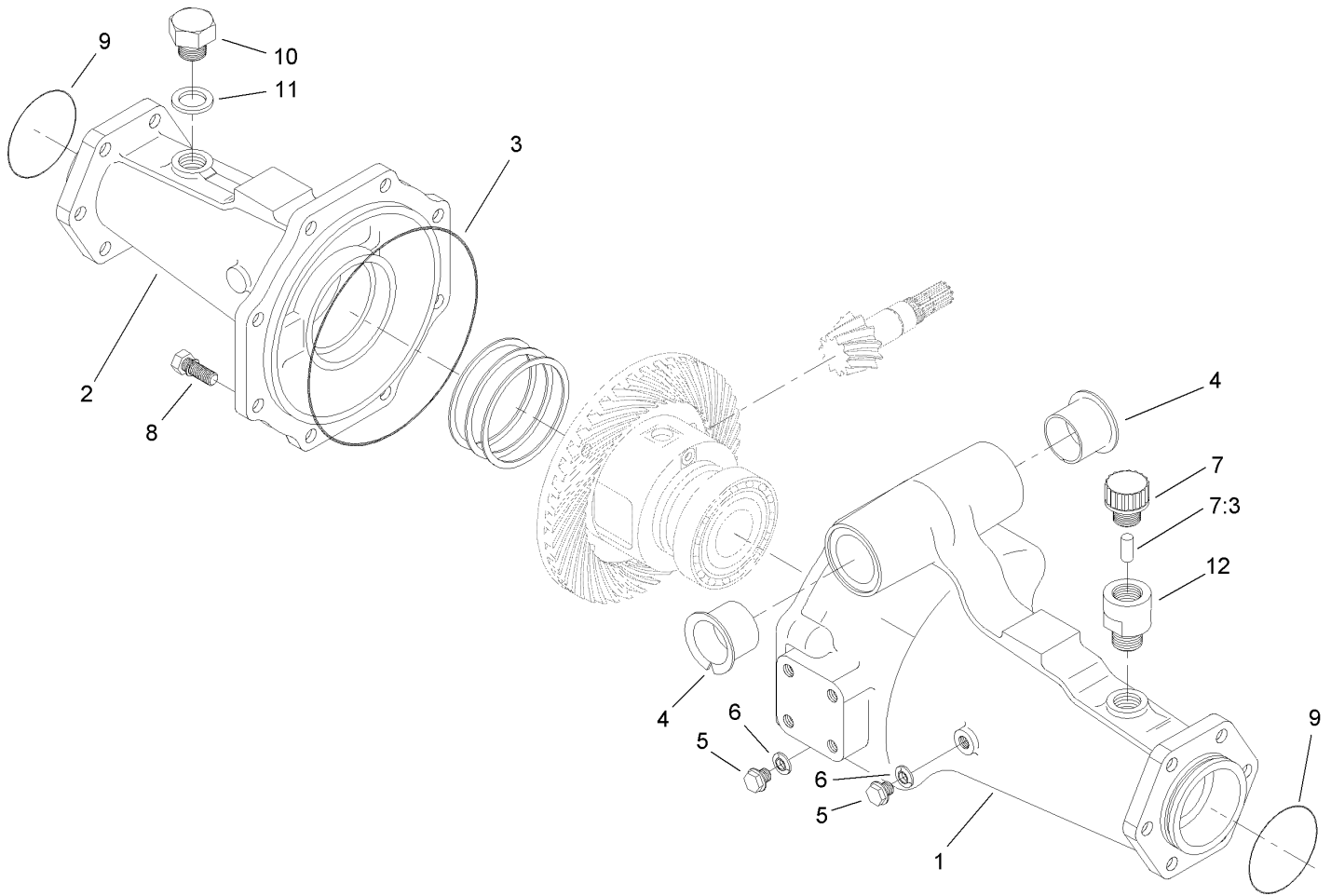
|  |  |  |  |
|--|--|--|--|
|  |  |  |  |
|  |  |  |  |
|  |  |  |  |
|  |  |  |  |
|  |  |  |  |
|  |  |  |  |
|  |  |  |  |
|  |  |  |  |
|  |  |  |  |
|  |  |  |  |



## Differential Assembly Rear Axle Assembly No. 106-1120

| Ref | Part No. | Qty. | Description                  |
|-----|----------|------|------------------------------|
| 1   | 95-7503  | 1    | Differential ASM             |
| 2   | 106-1093 | 1    | Ring And Pinion, Matched Set |
| 3   | 95-7502  | 1    | Case-Differential            |
| 4   | 99-7576  | 8    | Bolt                         |
| 5   | 3253-4   | 8    | Washer-Lock                  |
| 6   | 99-7578  | 1    | Shaft-Differential           |
| 7   | 99-7579  | 2    | Pinion-Differential          |
| 8   | 99-7580  | 2    | Washer-Differential          |
| 9   | 99-7581  | 2    | Gear-Differential            |
| 10  | 99-7582  | 2    | Washer-Differential          |
| 10  | 99-7583  | 2    | Washer-Differential          |
| 10  | 99-7584  | 2    | Washer-Differential          |
| 11  | 99-7588  | 1    | Pin-Spring                   |
| 12  | 99-7562  | 2    | Bearing-Ball                 |
| 13  | 99-7585  | 2    | Shim 0.1                     |
| 13  | 99-7586  | 2    | Shim 0.2                     |
| 13  | 99-7587  | 2    | Shim 0.4                     |

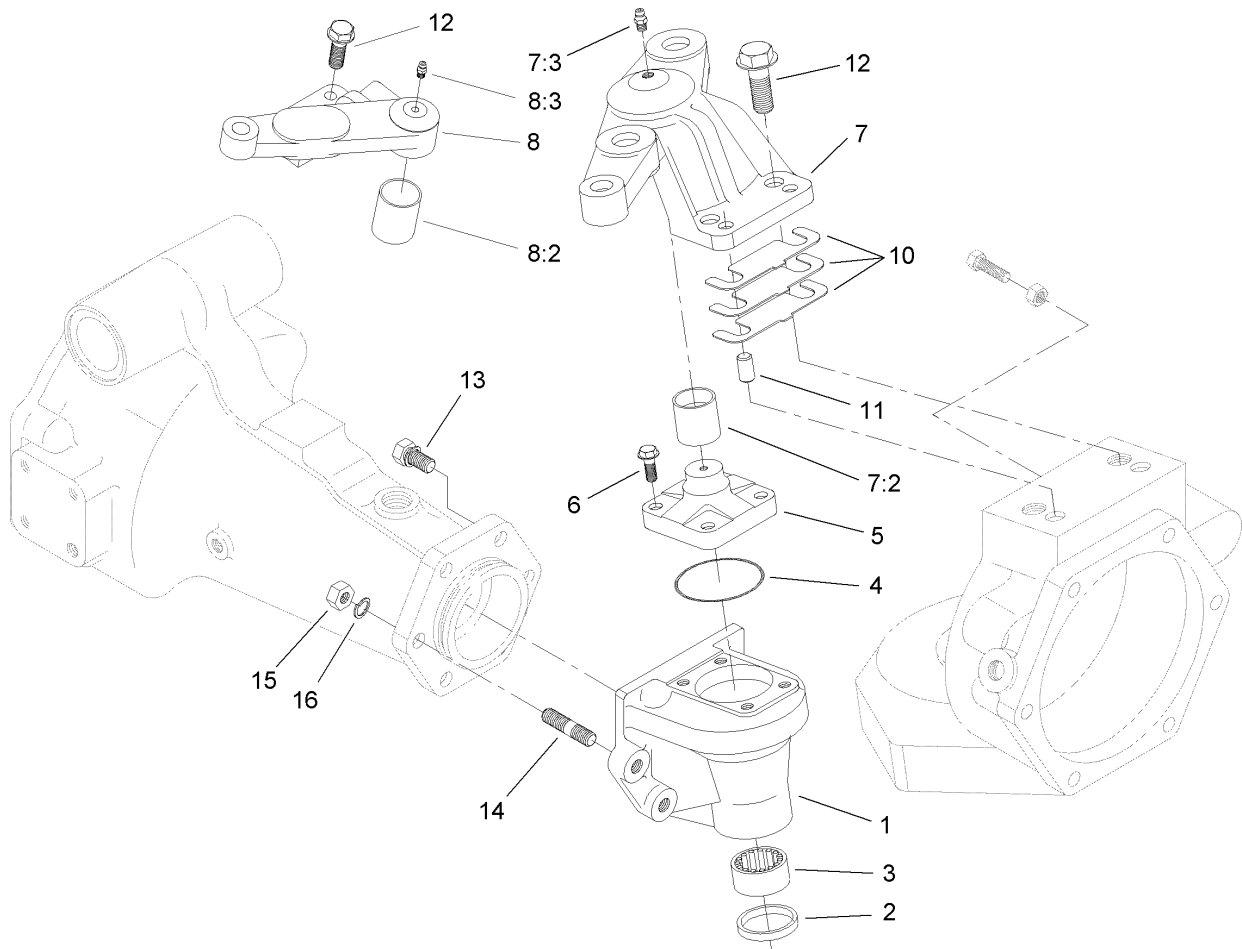
|  |  |  |  |
|--|--|--|--|
|  |  |  |  |
|--|--|--|--|



### Axle Support Assembly Rear Axle Assembly No. 106-1120

| Ref | Part No. | Qty. | Description         |
|-----|----------|------|---------------------|
| 1   | 95-7508  | 1    | Support-Axle        |
| 2   | 95-7506  | 1    | Support-Axle        |
| 3   | 106-1067 | 1    | O-Ring              |
| 4   | 95-7537  | 2    | Bushing-Flanged     |
| 5   | 99-7589  | 2    | Plug                |
| 6   | 99-7590  | 2    | Washer-Seal         |
| 7   | 110-4812 | 1    | Axle Vent ASM       |
| 7:3 | 110-4815 | 1    | Insert-Foam, Filter |
| 8   | 99-7592  | 8    | Bolt                |
| 9   | 106-1068 | 2    | O-Ring              |
| 10  | 104-8643 | 1    | Plug                |
| 11  | 104-8644 | 1    | O-Ring              |
| 12  | 104-2377 | 1    | Extension-Vent      |

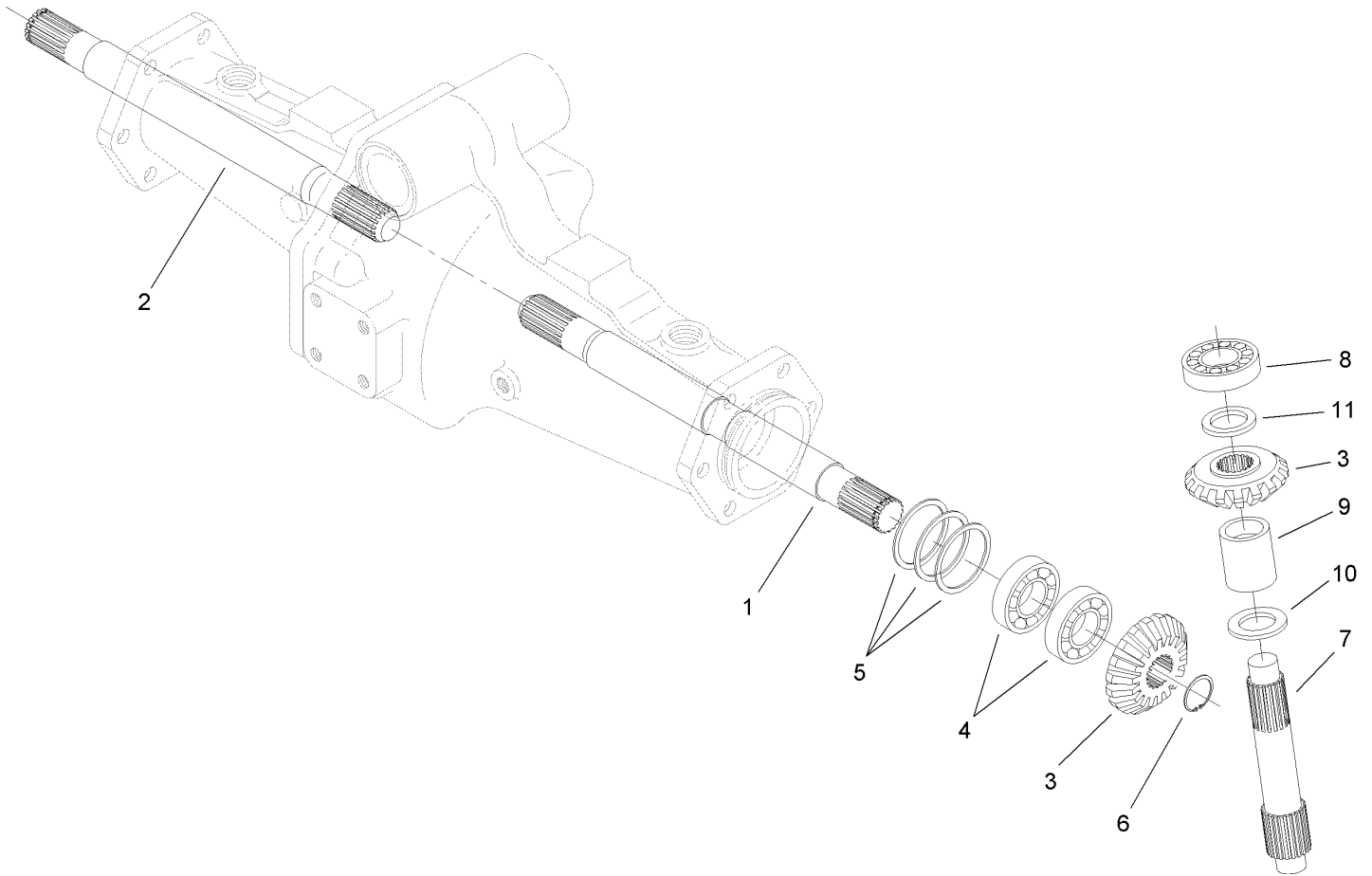
|  |  |  |  |
|--|--|--|--|
|  |  |  |  |
|--|--|--|--|



## Bevel Gearcase Assembly Rear Axle Assembly No. 106-1120

| Ref | Part No. | Qty. | Description              |
|-----|----------|------|--------------------------|
| 1   | 106-1099 | 2    | Case-Gear, Bevel         |
| 2   | 99-7594  | 2    | Seal-Oil                 |
| 3   | 99-7595  | 2    | Bearing-Needle           |
| 4   | 106-1069 | 2    | O-Ring                   |
| 5   | 104-2373 | 2    | Knuckle                  |
| 6   | 104-2374 | 8    | Bolt                     |
| 7   | 110-4756 | 1    | RH Axle Case Support ASM |
| 7:2 | 99-7529  | 1    | Bushing                  |
| 7:3 | 99-7528  | 1    | Nipple-Grease            |
| 8   | 110-4757 | 1    | LH Axle Case Support ASM |
| 8:2 | 99-7529  | 1    | Bushing                  |
| 8:3 | 99-7528  | 1    | Nipple-Grease            |
| 10  | 95-7547  | 2    | Shim 0.1                 |
| 10  | 95-7548  | 2    | Shim 0.2                 |
| 10  | 95-7549  | 2    | Shim 0.4                 |
| 11  | 99-7597  | 4    | Pin-Dowel                |
| 12  | 99-7598  | 4    | Bolt                     |
| 13  | 99-7599  | 8    | Bolt                     |
| 14  | 99-7525  | 4    | Stud                     |
| 15  | 99-7526  | 4    | Nut                      |
| 16  | 99-7527  | 4    | Washer-Spring            |

|  |  |  |  |
|--|--|--|--|
|  |  |  |  |
|--|--|--|--|

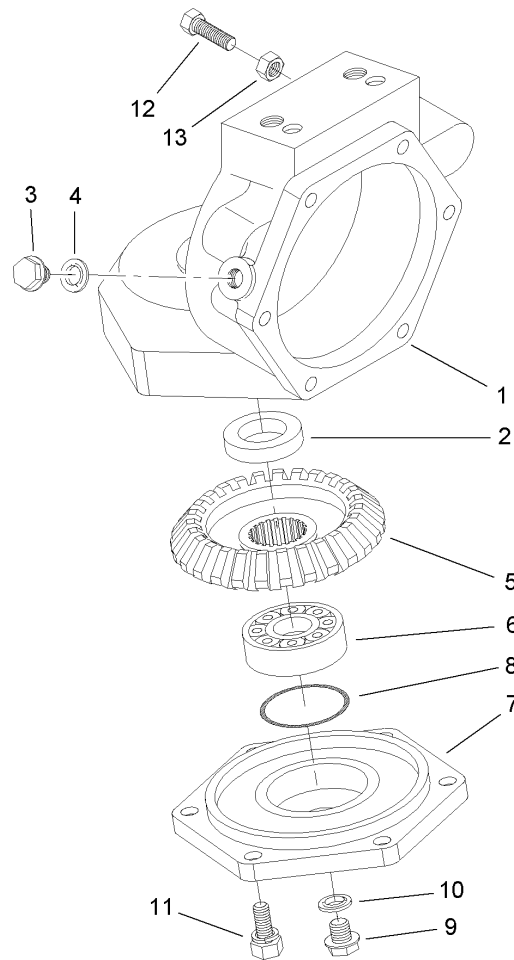


## Bevel Gear Shaft Assembly Rear Axle Assembly No. 106-1120

| Ref | Part No. | Qty. | Description              |
|-----|----------|------|--------------------------|
| 1   | 95-7509  | 1    | Shaft-Gear, Differential |
| 2   | 95-7512  | 1    | Shaft-Gear, Differential |
| 3   | 95-7518  | 4    | Gear-Bevel, 18 Tooth     |
| 4   | 99-7530  | 4    | Bearing-Ball             |
| 5   | 99-7552  | 2    | Shim 0.1                 |
| 5   | 99-7553  | 2    | Shim 0.2                 |
| 5   | 99-7554  | 2    | Shim 0.5                 |
| 6   | 99-7531  | 2    | Clip                     |
| 7   | 106-1101 | 2    | Shaft-Gear, Bevel        |
| 8   | 99-7532  | 2    | Bearing-Roller, Taper    |
| 9   | 95-7543  | 2    | Spacer                   |
| 10  | 99-7533  | 2    | Collar-Thrust            |
| 11  | 99-7558  | 2    | Collar                   |

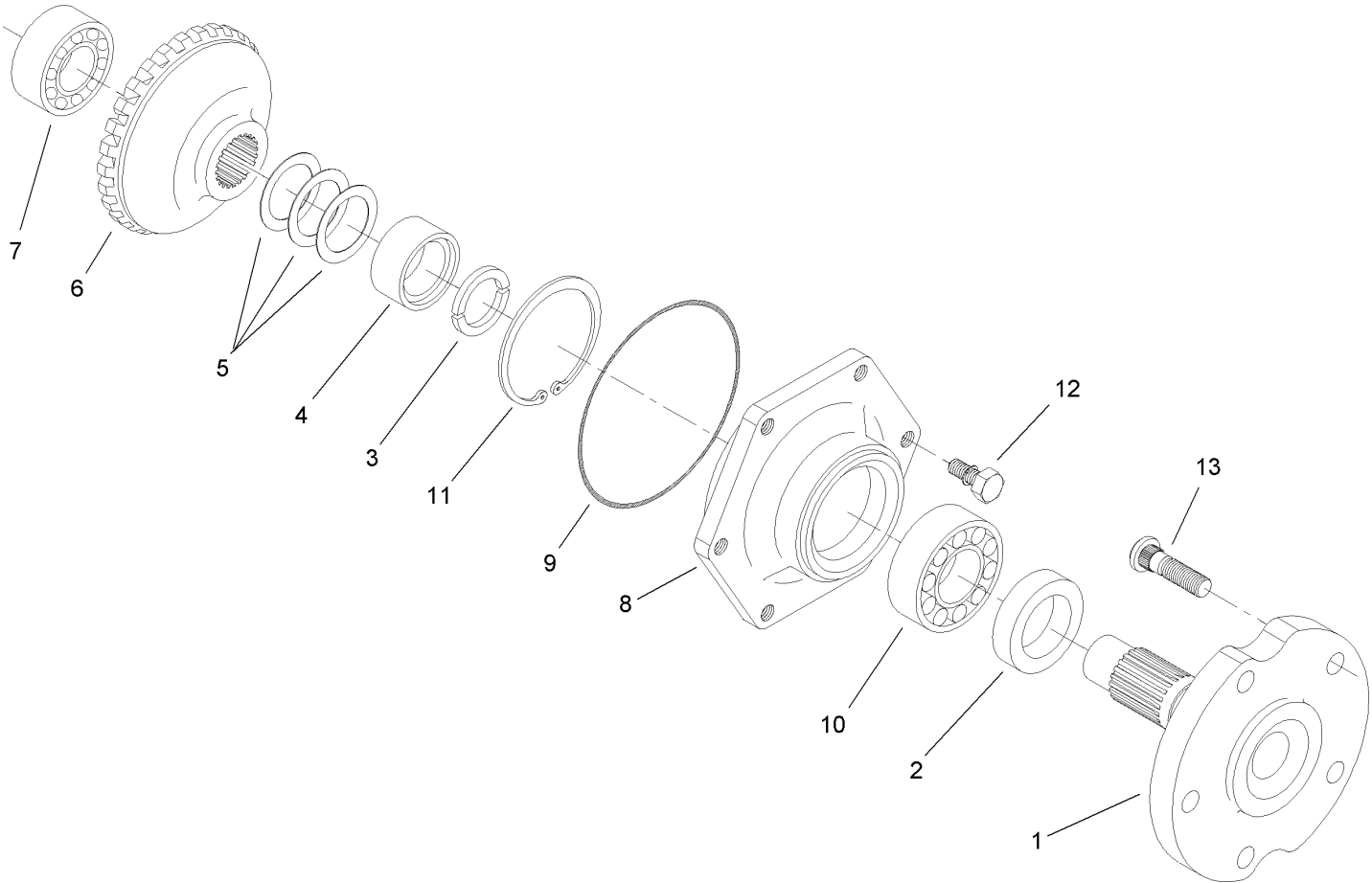
|  |  |  |  |
|--|--|--|--|
|  |  |  |  |
|--|--|--|--|





## Axle Case Assembly Rear Axle Assembly No. 106-1120

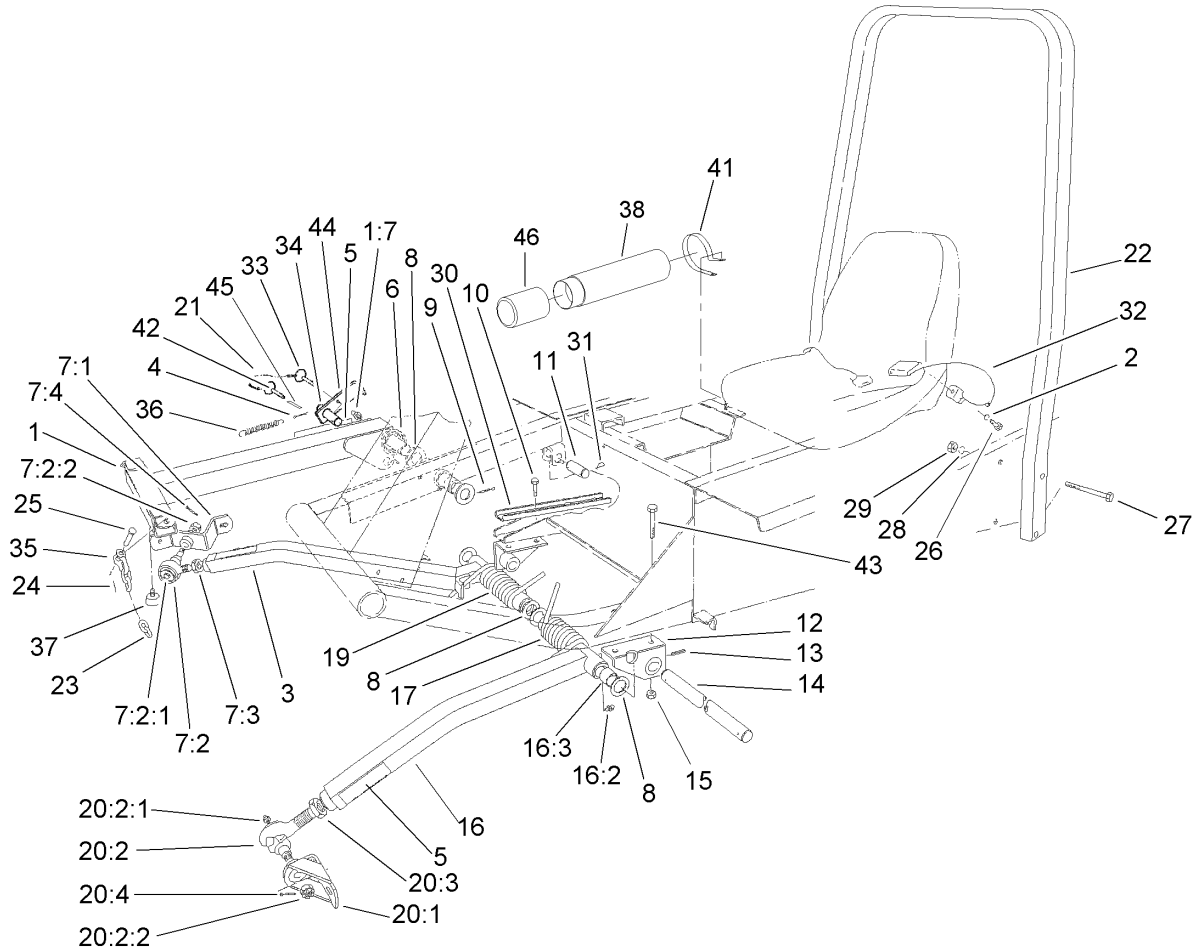
| Ref | Part No. | Qty. | Description           |  |  |  |  |
|-----|----------|------|-----------------------|--|--|--|--|
| 1   | 106-1100 | 2    | Case-Axle             |  |  |  |  |
| 2   | 99-7594  | 2    | Seal-Oil              |  |  |  |  |
| 3   | 99-7535  | 2    | Plug                  |  |  |  |  |
| 4   | 99-7536  | 2    | Washer-Seal           |  |  |  |  |
| 5   | 95-7528  | 2    | Gear-Bevel, 27 Tooth  |  |  |  |  |
| 6   | 99-7532  | 2    | Bearing-Roller, Taper |  |  |  |  |
| 7   | 95-7526  | 2    | Cover-Axle            |  |  |  |  |
| 8   | 106-1072 | 2    | O-Ring                |  |  |  |  |
| 9   | 99-7589  | 2    | Plug                  |  |  |  |  |
| 10  | 99-7590  | 2    | Washer-Seal           |  |  |  |  |
| 11  | 99-7596  | 12   | Bolt                  |  |  |  |  |
| 12  | 106-1102 | 2    | Bolt-Stop             |  |  |  |  |
| 13  | 106-1103 | 2    | Nut                   |  |  |  |  |



## Axle Assembly Rear Axle Assembly No. 106-1120

| Ref | Part No. | Qty. | Description          |
|-----|----------|------|----------------------|
| 1   | 95-7522  | 2    | Axle                 |
| 2   | 99-7564  | 2    | Seal-Oil             |
| 3   | 95-7544  | 4    | Clip                 |
| 4   | 95-7523  | 2    | Spacer               |
| 5   | 99-7555  | 2    | Shim 0.3             |
| 5   | 99-7556  | 2    | Shim 0.2             |
| 5   | 99-7557  | 2    | Shim 0.5             |
| 6   | 95-7525  | 2    | Gear-Bevel, 27 Tooth |
| 7   | 99-7534  | 2    | Bearing-Ball         |
| 8   | 95-7521  | 2    | Cover-Axle           |
| 9   | 106-1071 | 2    | O-Ring               |
| 10  | 99-7561  | 2    | Bearing-Ball         |
| 11  | 99-7539  | 2    | Clip                 |
| 12  | 99-7596  | 12   | Bolt                 |
| 13  | 99-7563  | 10   | Stud                 |

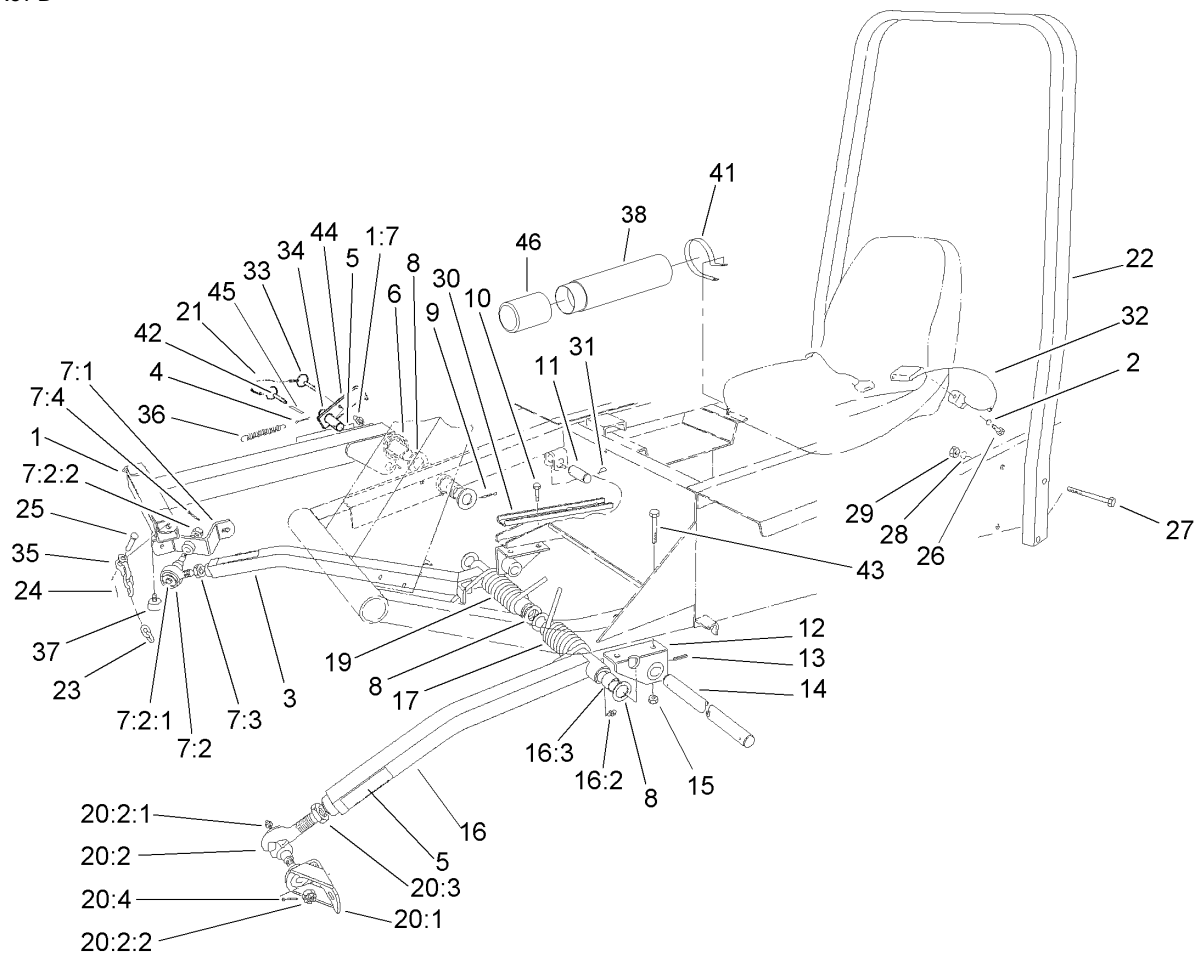
|  |  |  |  |
|--|--|--|--|
|  |  |  |  |
|  |  |  |  |
|  |  |  |  |
|  |  |  |  |
|  |  |  |  |
|  |  |  |  |
|  |  |  |  |
|  |  |  |  |
|  |  |  |  |
|  |  |  |  |
|  |  |  |  |
|  |  |  |  |
|  |  |  |  |
|  |  |  |  |
|  |  |  |  |
|  |  |  |  |
|  |  |  |  |
|  |  |  |  |
|  |  |  |  |
|  |  |  |  |
|  |  |  |  |
|  |  |  |  |
|  |  |  |  |
|  |  |  |  |
|  |  |  |  |
|  |  |  |  |
|  |  |  |  |



## Push Arm and Roll-Over-Protection-System Assembly

| Ref   | Part No.   | Qty. | Description          |
|-------|------------|------|----------------------|
| 1     | 66-6370    | 1    | Lift Arm ASM         |
| 1:7   | 302-5      | 1    | Fitting-Grease       |
| 1:8   | 3290-472   | 1    | Insert-Threaded      |
| 2     | 3253-6     | 2    | Washer-Lock          |
| 3     | 66-7150    | 1    | Arm-Push, RH         |
| 3:2   | 302-33     | 1    | Fitting-Grease       |
| 3:3   | 256-126    | 2    | Bushing              |
| 4     | 3272-24    | 1    | Pin-Cotter           |
| 5     | 93-6696    | 3    | Decal-Warning        |
| 6     | 46-8840-01 | 1    | Spring-Lift Arm      |
| 7     | 21-3020-01 | 1    | Mount-Balljoint, RH  |
| 7:1   | 21-3020-01 | 1    | Mount-Balljoint, RH  |
| 7:2   | 86-8100-01 | 1    | Ball Joint ASM       |
| 7:2:1 | 302-5      | 1    | Fitting-Grease       |
| 7:2:2 | 32136-2    | 1    | Nut-SHH              |
| 7:2:3 | 105-7835   | 1    | Seal                 |
| 7:3   | 21-3000    | 1    | Nut-HJ               |
| 7:4   | 3272-11    | 1    | Pin-Cotter           |
| 8     | 5-1754     | 6    | Washer-Flat          |
| 9     | 3272-33    | 1    | Pin-Cotter           |
| 10    | 324-4      | 2    | Screw-HH             |
| 11    | 3-7292     | 1    | Pin-Clevis           |
| 12    | 21-2860-01 | 2    | Push Arm Bracket ASM |
| 13    | 32121-84   | 2    | Pin-Coil             |

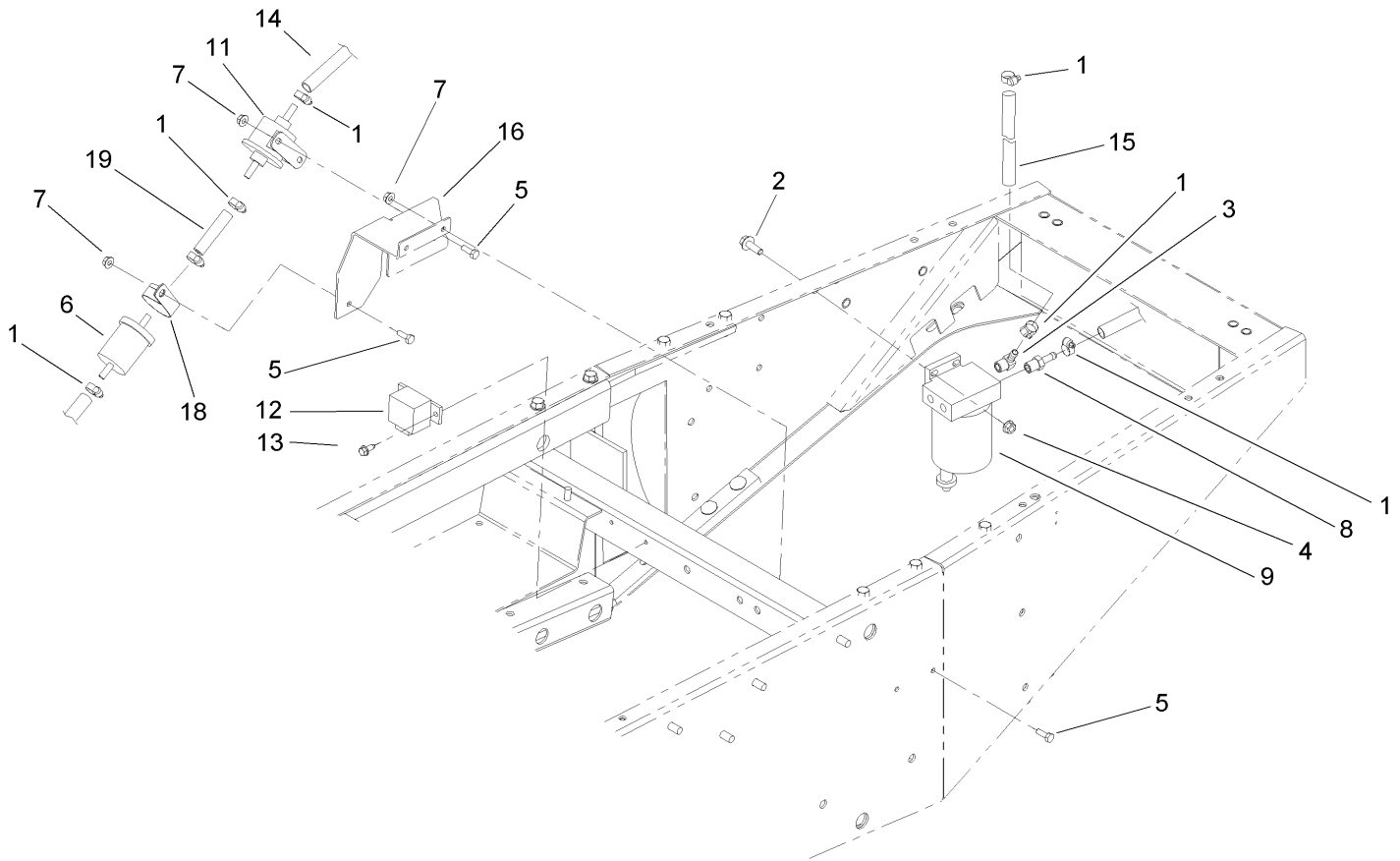
| Ref    | Part No.    | Qty. | Description                        |
|--------|-------------|------|------------------------------------|
| 14     | 21-2990     | 1    | Shaft-Pivot                        |
| 15     | 32128-42    | 4    | Nut-HF                             |
| 16     | 21-2960     | 1    | Arm-Push, LH                       |
| 16:2   | 302-33      | 1    | Fitting-Grease                     |
| 16:3   | 256-126     | 2    | Bushing                            |
| 17     | 21-2900-01  | 1    | Spring-Torsion, LH                 |
| 17     | 105-9550-01 | 1    | Spring-Counter Balance, LH (Light) |
| 19     | 21-2890-01  | 1    | Spring-Torsion, RH                 |
| 20     | 21-3050-01  | 1    | LH Ball Joint ASM                  |
| 20:1   | 21-3050-01  | 1    | LH Ball Joint Mount ASM            |
| 20:2   | 86-8100-01  | 1    | Ball Joint ASM                     |
| 20:2:1 | 302-5       | 1    | Fitting-Grease                     |
| 20:2:2 | 32136-2     | 1    | Nut-SHH                            |
| 20:2:3 | 105-7835    | 1    | Seal                               |
| 20:3   | 21-3000     | 1    | Nut-HJ                             |
| 20:4   | 3272-11     | 1    | Pin-Cotter                         |
| 21     | 28-8070     | 1    | Lanyard                            |
| 22     | 99-1299-03  | 1    | ROPS-2 Post                        |
| 23     | 3-1365      | 3    | Chain                              |
| 24     | 3272-10     | 6    | Pin-Cotter                         |
| 25     | 283-10      | 6    | Pin-Clevis                         |
| 26     | 3212-4      | 2    | Screw-HH                           |
| 27     | 328-12      | 4    | Screw-HH                           |



### Push Arm and Roll-Over-Protection-System Assembly (continued)

| Ref | Part No.   | Qty. | Description           |
|-----|------------|------|-----------------------|
| 28  | 3253-9     | 4    | Washer-Lock           |
| 29  | 3217-12    | 4    | Nut-Hex               |
| 30  | 93-7040-01 | 1    | Support-Reinforcement |
| 31  | 5-3126     | 3    | Pin-Lynch             |
| 32  | 72-9390    | 1    | Belt-Seat             |
| 33  | 93-7644    | 1    | Pin-Hitch, Cotterless |
| 34  | 24-9510    | 1    | Pin                   |
| 35  | 5-2942     | 6    | Shackle               |
| 36  | 21-1830    | 1    | Spring-Extension      |
| 37  | 68-3270    | 1    | Bumper-Rubber         |
| 38  | 104-7050   | 1    | Housing-Manual        |
| 41  | 2412-133   | 2    | R-Clamp               |
| 42  | 3272-7     | 1    | Pin-Cotter            |
| 43  | 324-12     | 2    | Screw-HH              |
| 44  | 93-7650-01 | 1    | Lever-Locking         |
| 45  | 32121-2    | 1    | Pin-Roll, Slotted     |
| 46  | 104-7048   | 1    | Cap-Housing           |

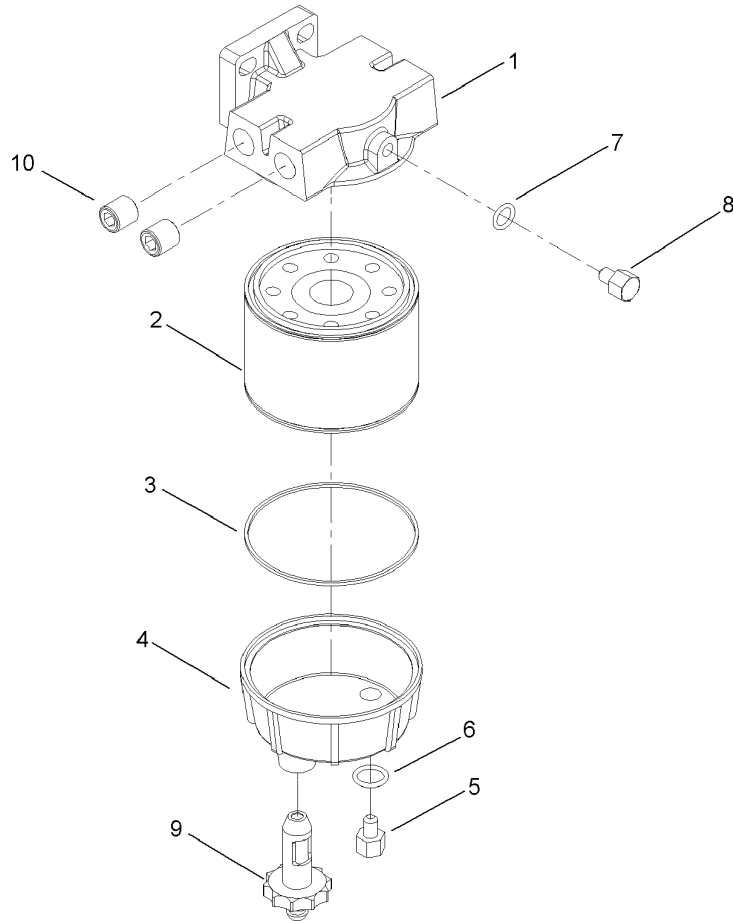
|  |  |  |  |  |  |
|--|--|--|--|--|--|
|  |  |  |  |  |  |
|--|--|--|--|--|--|



## Water and Fuel Filter Assembly

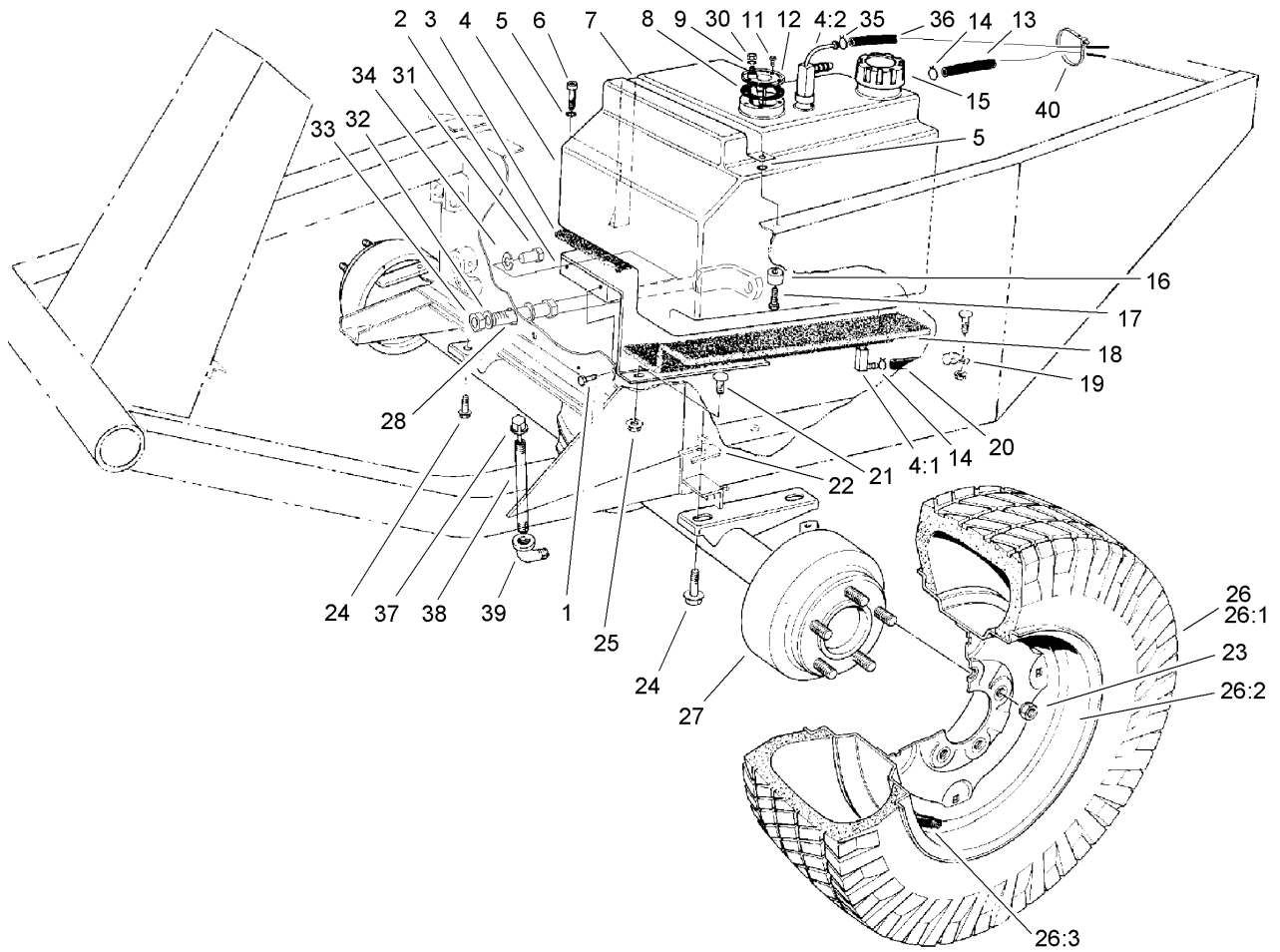
| Ref | Part No.    | Qty. | Description             |
|-----|-------------|------|-------------------------|
| 1   | 2412-108    | 7    | Clamp-Worm              |
| 2   | 3234-29     | 2    | Screw-HHF               |
| 3   | 353-781     | 1    | Fitting-Elbow           |
| 4   | 32128-20    | 2    | Nut-HF                  |
| 5   | 321-4       | 5    | Screw-HH                |
| 6   | 98-7612     | 1    | Filter-Fuel             |
| 7   | 32128-33    | 5    | Nut-HF                  |
| 8   | 353-783     | 1    | Fitting                 |
| 9   | 98-9305     | 1    | Water / Fuel Filter ASM |
| 11  | 104-5215    | 1    | Pump-Fuel, Electric     |
| 12  | 66-8800     | 1    | Relay                   |
| 13  | 32144-10    | 2    | Screw-HWH               |
| 14  | 110-3259    | 1    | Hose-Fuel               |
| 15  | 109-0274    | 1    | Hose-Fuel               |
| 16  | 105-2561-03 | 1    | Bracket-Pump, Fuel      |
| 18  | 2412-147    | 1    | Clamp                   |
| 19  | 110-0047    | 1    | Hose-Fuel               |

|  |  |  |  |
|--|--|--|--|
|  |  |  |  |
|--|--|--|--|



## Water and Fuel Filter Assembly No. 98-9305

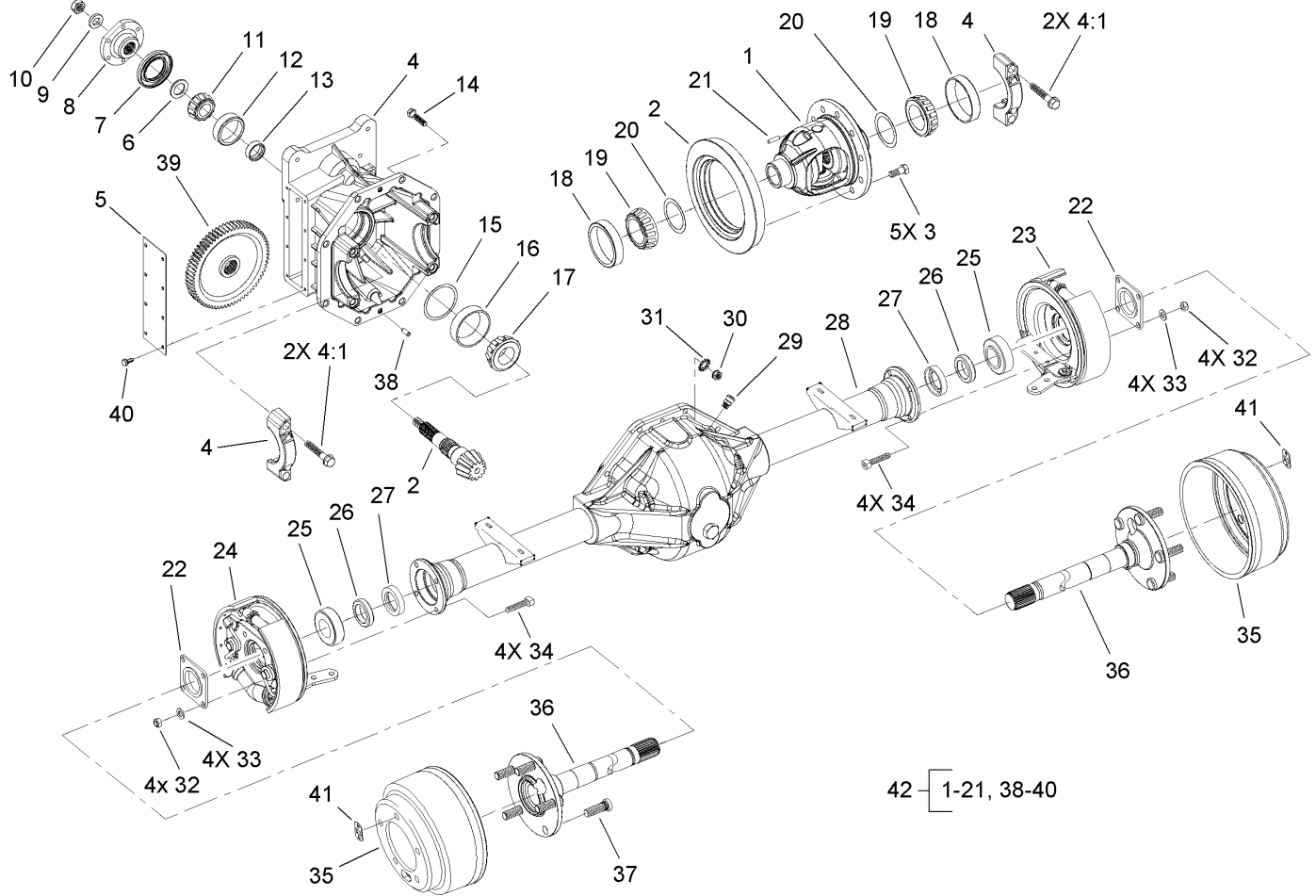
| Ref | Part No. | Qty. | Description         |
|-----|----------|------|---------------------|
| 1   | 98-9772  | 1    | Head-Filter         |
| 2   | 98-9764  | 1    | Element             |
| 3   | 98-9774  | 1    | O-Ring-Base, Filter |
| 4   | 98-9775  | 1    | Base-Filter         |
| 5   | 98-9773  | 1    | Plug-Base, Filter   |
| 6   | 237-42   | 1    | O-Ring              |
| 7   | 237-78   | 1    | O-Ring              |
| 8   | 98-9776  | 1    | Plug-Head, Filter   |
| 9   | 98-9777  | 1    | Drain Valve ASM     |
| 10  | 285-22   | 2    | Plug-Pipe           |



## Fuel Tank and Front Axle Assembly

| Ref | Part No. | Qty. | Description             |
|-----|----------|------|-------------------------|
| 1   | 3234-11  | 2    | Screw-HHF               |
| 2   | 68-9760  | 1    | Fuel Tank Base ASM      |
| 3   | 21-3600  | 1    | Foam-Support, Tank      |
| 4   | 43-4150  | 1    | Fuel Tank ASM           |
| 4:1 | 43-4190  | 1    | Fitting ASM             |
| 4:2 | 43-4160  | 1    | Fitting-Return And Vent |
| 5   | 3253-3   | 2    | Washer-Lock             |
| 6   | 32104-96 | 1    | Screw-HH                |
| 7   | 37-9550  | 1    | Strap-Tank, Gas         |
| 8   | 62-7650  | 1    | Gasket                  |
| 9   | 3253-17  | 1    | Washer-Lock             |
| 11  | 32144-53 | 5    | Screw-SHWH              |
| 12  | 105-2563 | 1    | Sender-Fuel             |
| 13  | 110-4109 | 1    | Hose-Fuel               |
| 14  | 2412-6   | 2    | Clamp-Hose              |
| 15  | 55-3572  | 1    | Gas Cap ASM             |
| 16  | 22-7810  | 1    | Spacer                  |
| 17  | 321-6    | 1    | Screw-HH                |
| 18  | 21-3610  | 1    | Foam-Support, Tank      |
| 19  | 2412-4   | 1    | Clamp                   |
| 20  | 110-4105 | 1    | Hose-Fuel               |
| 21  | 3230-2   | 3    | Bolt-CARR               |
| 22  | 42-6080  | 1    | Shim-Axle               |
| 23  | 23-7270  | 10   | Nut-Wheel               |

| Ref  | Part No.   | Qty. | Description           |
|------|------------|------|-----------------------|
| 24   | 32144-67   | 4    | Screw                 |
| 25   | 32128-20   | 3    | Nut-HF                |
| 26   |            | 2    | Wheel And Tire ASM    |
| 26:1 | 95-3348    | 1    | Tire                  |
| 26:2 | 217-117    | 1    | Wheel                 |
| 26:3 | 232-27     | 1    | Stem-Valve            |
| 27   | 86-9630-03 | 1    | Axle ASM              |
| 28   | 24-9830-01 | 1    | Support-Axle          |
| 30   | 3219-14    | 1    | Nut-Hex               |
| 31   | 323-6      | 1    | Screw-HH              |
| 32   | 3256-6     | 2    | Washer-Flat           |
| 33   | 3217-9     | 2    | Nut-Hex               |
| 34   | 3253-21    | 1    | Washer-Lock           |
| 35   | 2412-80    | 2    | Clamp-Line, Fuel      |
| 36   | 110-5688   | 1    | Hose-Fuel             |
| 37   | 23-5180    | 1    | Dipstick-Axle         |
| 38   | 289-37     | 1    | Nipple-Pipe           |
| 39   | 2811-9     | 1    | Fitting-Elbow, Street |
| 40   | 3290-379   | 1    | Tie-Cable             |

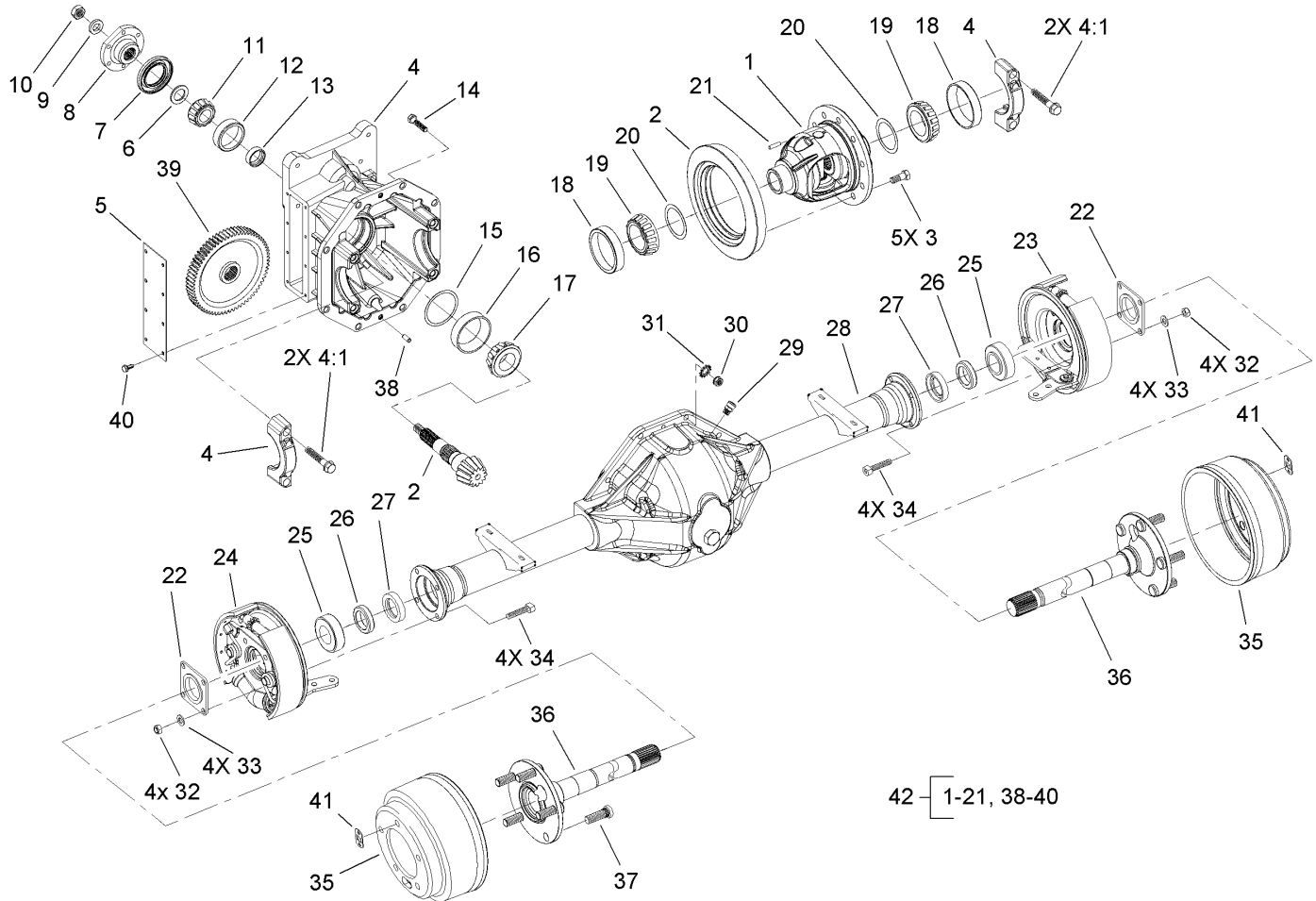


## Front Axle Assembly No. 86-9630-03

| Ref | Part No. | Qty. | Description                |
|-----|----------|------|----------------------------|
| 1   | 110-4136 | 1    | Differential Case ASM      |
| 2   | 92-1676  | 1    | Gear And Pinion ASM        |
| 3   | 21-7770  | 5    | Screw-Gear, Drive          |
| 4   | 86-9610  | 1    | Carrier ASM                |
| 4:1 | 92-1773  | 4    | Screw-HHF                  |
| 5   | 21-7830  | 1    | Cover-Gear                 |
| 6   | 72-3570  | 1    | Shim-Bearing, Front (.094) |
| 6   | 72-3571  | 1    | Shim-Bearing, Front (.096) |
| 6   | 72-3572  | 1    | Shim-Bearing, Front (.098) |
| 6   | 72-3573  | 1    | Shim-Bearing, Front (.100) |
| 6   | 72-3574  | 1    | Shim-Bearing, Front (.102) |
| 6   | 72-3575  | 1    | Shim-Bearing, Front (.104) |
| 6   | 72-3576  | 1    | Shim-Bearing, Front (.106) |
| 6   | 72-3577  | 1    | Shim-Bearing, Front (.108) |
| 6   | 72-3578  | 1    | Shim-Bearing, Front (.110) |
| 6   | 72-3580  | 1    | Shim-Bearing, Front (.112) |
| 6   | 72-3581  | 1    | Shim-Bearing, Front (.114) |
| 6   | 72-3582  | 1    | Shim-Bearing, Front (.116) |
| 6   | 72-3583  | 1    | Shim-Bearing, Front (.118) |
| 6   | 72-3584  | 1    | Shim-Bearing, Front (.120) |
| 6   | 72-3585  | 1    | Shim-Bearing, Front (.125) |
| 6   | 72-3586  | 1    | Shim-Bearing, Front (.127) |
| 6   | 72-3587  | 1    | Shim-Bearing, Front (.129) |
| 6   | 72-3588  | 1    | Shim-Bearing, Front (.131) |

| Ref | Part No. | Qty. | Description                |
|-----|----------|------|----------------------------|
| 6   | 72-3590  | 1    | Shim-Bearing, Front (.133) |
| 6   | 72-3591  | 1    | Shim-Bearing, Front (.135) |
| 6   | 72-3592  | 1    | Shim-Bearing, Front (.137) |
| 6   | 72-3593  | 1    | Shim-Bearing, Front (.139) |
| 6   | 72-3594  | 1    | Shim-Bearing, Front (.141) |
| 6   | 72-3595  | 1    | Shim-Bearing, Front (.143) |
| 6   | 72-3596  | 1    | Shim-Bearing, Front (.145) |
| 6   | 72-3597  | 1    | Shim-Bearing, Front (.147) |
| 6   | 72-3598  | 1    | Shim-Bearing, Front (.149) |
| 6   | 72-3600  | 1    | Shim-Bearing, Front (.151) |
| 7   | 71-4330  | 1    | Seal                       |
| 8   | 68-7010  | 1    | Flange                     |
| 9   | 71-4340  | 1    | Washer                     |
| 10  | 71-4350  | 1    | Nut                        |
| 11  | 254-91   | 1    | Cone-Bearing               |
| 12  | 254-90   | 1    | Bearing-Cup                |
| 13  | 21-8020  | 1    | Spacer-Bearing             |
| 14  | 3210-7   | 8    | Screw-HH                   |
| 15  | 43-6710  | 1    | Shim-Pinion (.003)         |
| 15  | 43-6711  | 1    | Shim-Pinion (.005)         |
| 15  | 43-6712  | 1    | Shim-Pinion (.010)         |
| 15  | 43-6713  | 1    | Shim-Pinion (.030)         |
| 16  | 43-6750  | 1    | Bearing-Taper, Cup         |
| 17  | 43-6760  | 1    | Bearing-Roller, Cone Taper |

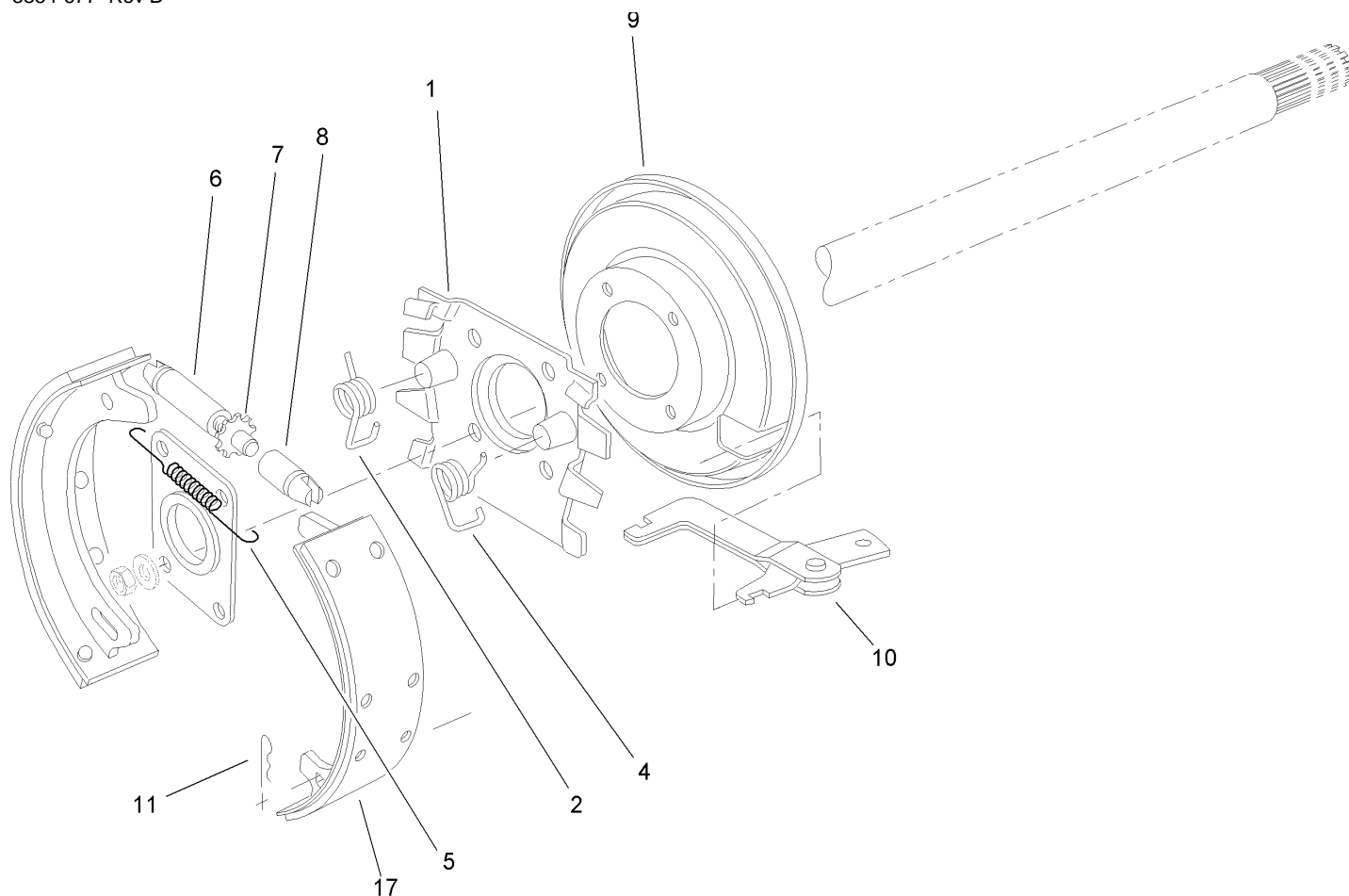




### Front Axle Assembly No. 86-9630-03 (continued)

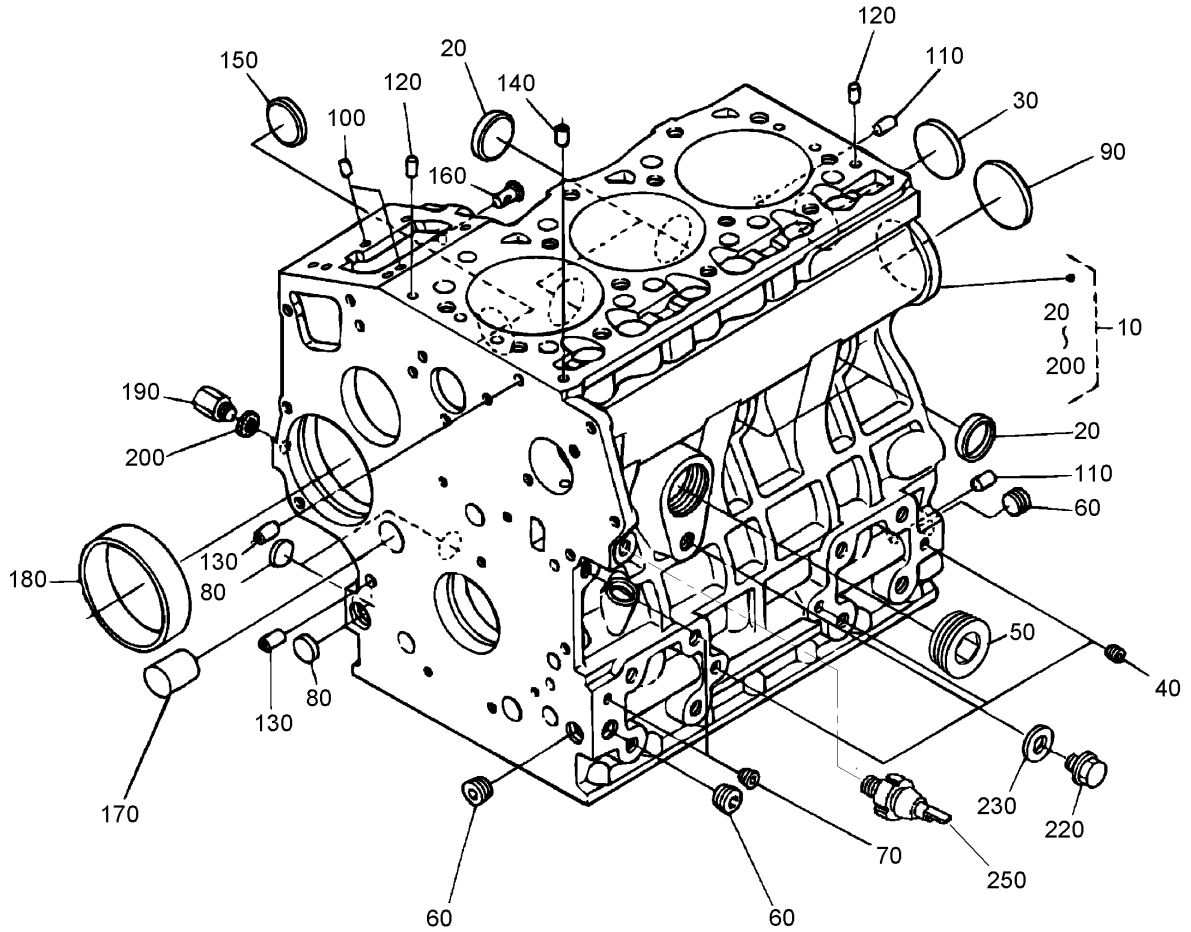
| Ref | Part No.   | Qty. | Description                   |
|-----|------------|------|-------------------------------|
| 18  | 254-66     | 2    | Cup-Bearing, Roller           |
| 19  | 254-65     | 2    | Cone-Bearing, Roller          |
| 20  | 21-8090    | 1    | Shim-Bearing, Diff. (.003)    |
| 20  | 21-8100    | 1    | Shim-Bearing, Diff. (.005)    |
| 20  | 21-8110    | 1    | Shim-Bearing, Diff. (.010)    |
| 20  | 21-8120    | 1    | Shim-Bearing, Diff. (.030)    |
| 21  | 32121-15   | 1    | Pin-Roll                      |
| 22  | 28-0670    | 2    | Seal-Grease                   |
| 23  |            | 1    | LH Brake ASM                  |
| 24  |            | 1    | RH Brake ASM                  |
| 25  | 21-8180    | 2    | Bearing ASM                   |
| 26  | 99-6969    | 2    | Seal-Oil                      |
| 27  | 24-8840    | 2    | Ring-Retaining, Wheel Bearing |
| 28  | 43-6840    | 1    | Housing-Lower                 |
| 29  | 72-9420    | 1    | Vent                          |
| 30  | 3219-2     | 8    | Nut-Hex                       |
| 31  | 3255-8     | 8    | Washer-Lock                   |
| 32  | 94-6935    | 8    | Locknut                       |
| 33  | 94-6936    | 8    | Washer-Hardened               |
| 34  | 94-6934    | 8    | Screw-HH                      |
| 35  | 28-0680-03 | 2    | Rear Axle Pin ASM             |
| 36  | 28-0650    | 2    | Flanged Axle Shaft            |
| 37  | 242-34     | 10   | Stud-Drive                    |
| 38  | 21-8270    | 2    | Pin-Dowel                     |

| Ref | Part No. | Qty. | Description              |
|-----|----------|------|--------------------------|
| 39  | 86-7230  | 1    | Gear-Input, Transmission |
| 40  | 12-5450  | 8    | Screw                    |
| 41  | 21-8360  | 2    | Clip-Retaining           |
| 42  | 92-4902  | 1    | Differential Carrier ASM |



## Front Axle Brake Assembly

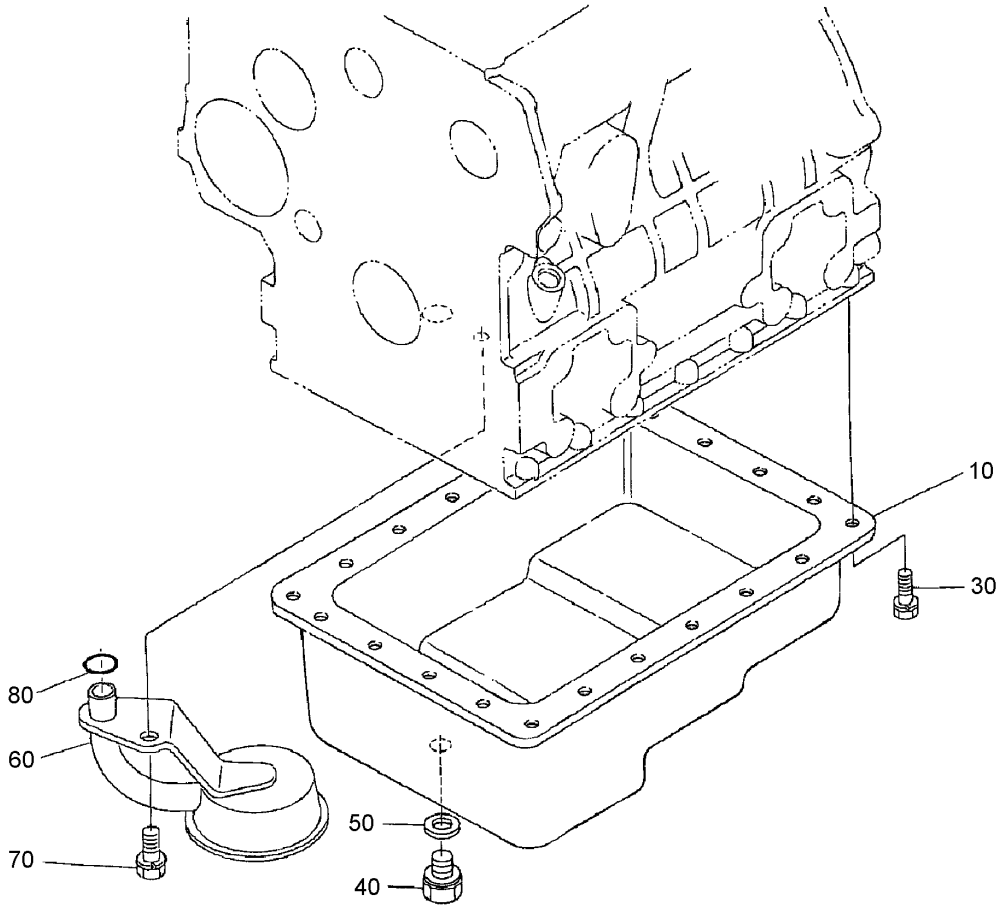
| Ref | Part No. | Qty. | Description             |
|-----|----------|------|-------------------------|
| 1   | 43-6810  | 1    | Spider-Torque           |
| 2   | 21-9420  | 1    | Spring-Return, LH       |
| 4   | 21-9430  | 1    | Spring-Return, RH       |
| 5   | 21-9440  | 1    | Spring-Screw, Adjusting |
| 6   | 21-9380  | 1    | Nut-Pivot               |
| 7   | 21-9370  | 1    | Screw-Adjusting         |
| 8   | 21-9390  | 1    | Socket-Screw, Adjusting |
| 9   | 21-9450  | 1    | Shield-Dust             |
| 10  | 24-9180  | 1    | Strut And Lever ASM     |
| 11  | 21-9460  | 2    | Retainer-Lever, Brake   |
| 17  | 84-8600  | 1    | Set-Shoes, Lined        |



### Crankcase Assembly

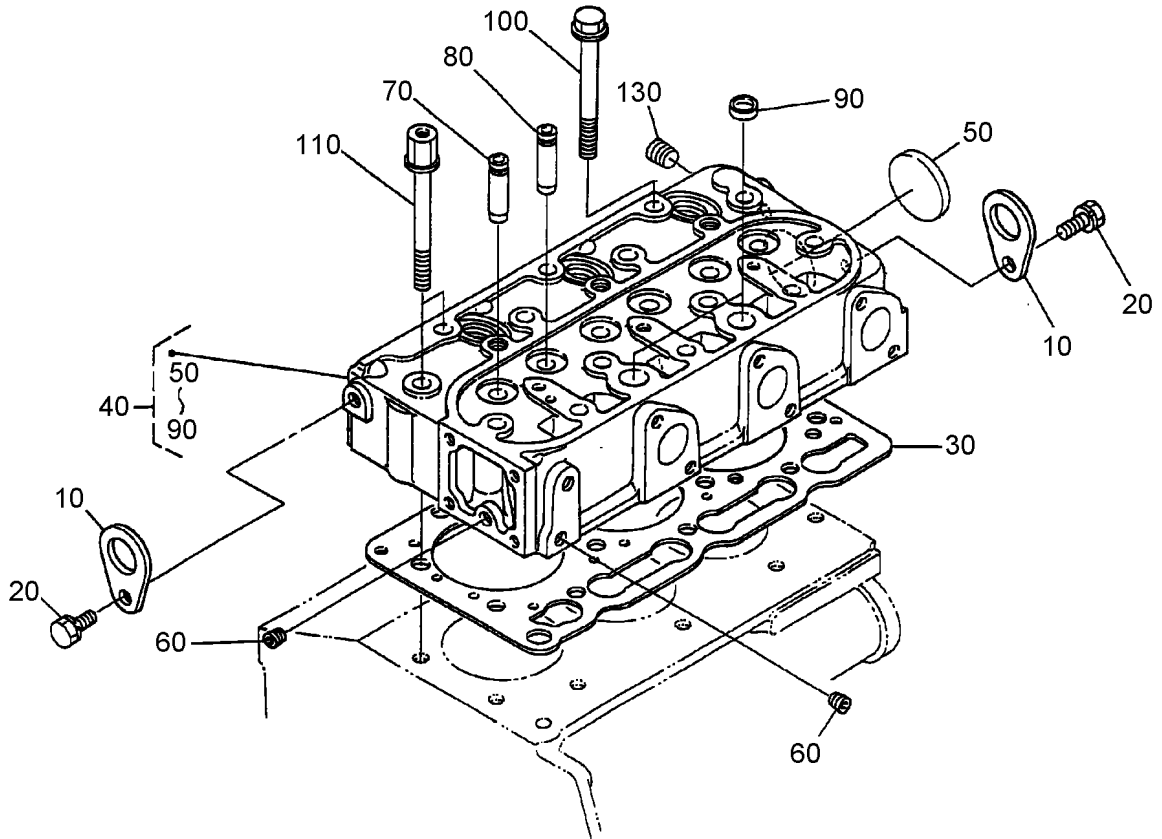
| Ref | Part No. | Qty. | Description            |
|-----|----------|------|------------------------|
| 10  | 108-6571 | 1    | Crankcase ASM          |
| 20  | 98-9398  | 4    | Cap-Sealing            |
| 30  | 98-7539  | 1    | Cap-Sealing            |
| 40  | 98-7540  | 3    | Plug                   |
| 50  | 105-3779 | 1    | Plug                   |
| 60  | 98-9597  | 3    | Plug                   |
| 70  | 98-7487  | 2    | Plug                   |
| 80  | 98-7489  | 3    | Plug                   |
| 90  | 98-9668  | 1    | Plug                   |
| 100 | 98-9375  | 2    | Pin-Straight           |
| 110 | 98-9377  | 2    | Pin-Straight           |
| 120 | 105-3795 | 2    | Pin-Straight           |
| 130 | 98-9387  | 2    | Pin-Pipe               |
| 140 | 98-9539  | 1    | Pin-Pipe               |
| 150 | 98-9599  | 1    | Plug                   |
| 160 | 98-9630  | 1    | Pin-Spring, Start      |
| 170 | 98-9675  | 1    | Plug                   |
| 180 | 98-9656  | 1    | Bushing-Governor, Gear |
| 190 | 98-7507  | 1    | Plug                   |
| 200 | 98-7428  | 1    | Gasket                 |
| 220 | 99-3447  | 1    | Plug                   |
| 230 | 106-7056 | 1    | Gasket                 |
| 250 | 98-9416  | 1    | Switch-Oil             |

|  |  |  |  |
|--|--|--|--|
|  |  |  |  |
|  |  |  |  |
|  |  |  |  |
|  |  |  |  |



### Oil Pan Assembly

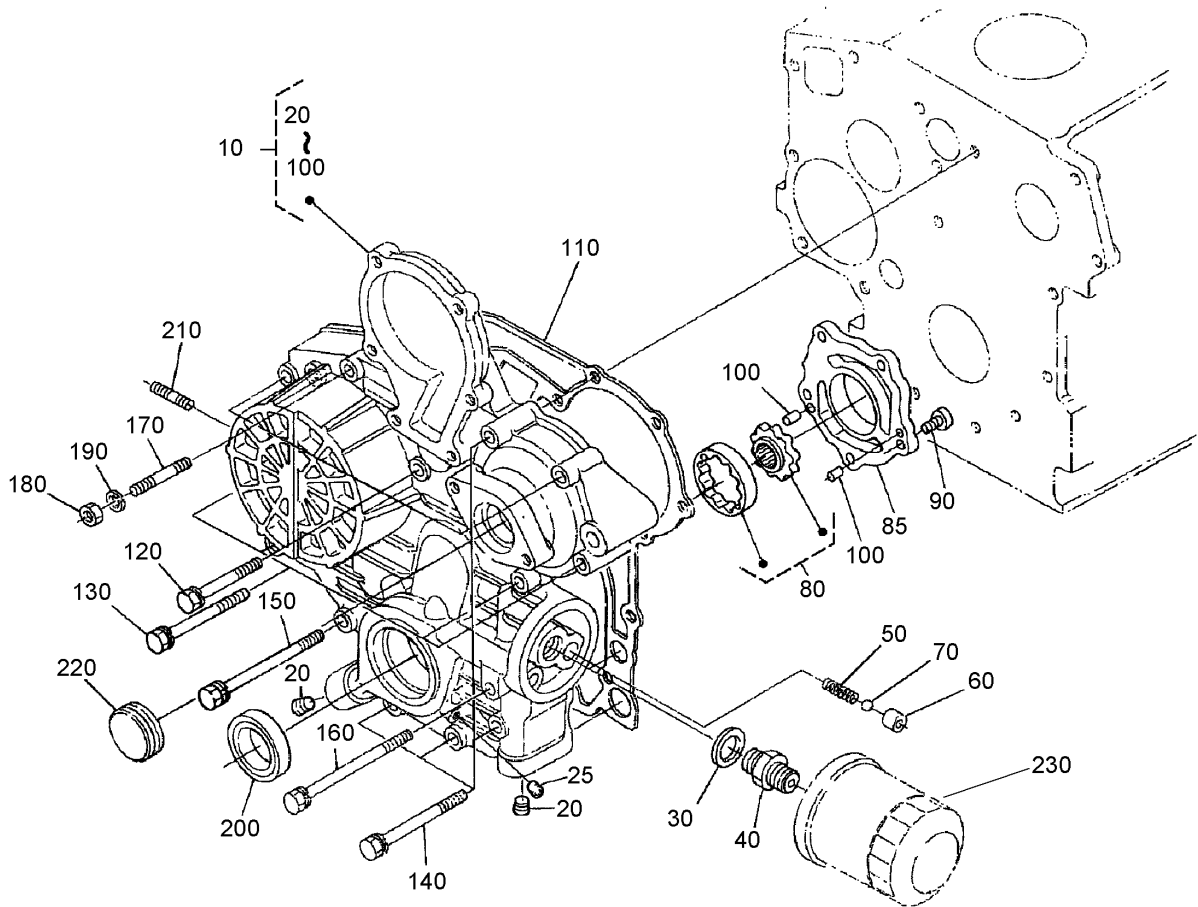
| Ref | Part No. | Qty. | Description       |  |  |  |  |
|-----|----------|------|-------------------|--|--|--|--|
| 10  | 104-3495 | 1    | Pan-Oil           |  |  |  |  |
| 30  | 107-9065 | 22   | Bolt              |  |  |  |  |
| 40  | 108-6572 | 1    | Plug-Drain        |  |  |  |  |
| 50  | 98-7524  | 1    | Gasket            |  |  |  |  |
| 60  | 104-3496 | 1    | Filter-Oil Pickup |  |  |  |  |
| 70  | 98-7526  | 1    | Bolt              |  |  |  |  |
| 80  | 105-3776 | 1    | O-Ring            |  |  |  |  |



### Cylinder Head Assembly

| Ref | Part No. | Qty. | Description           |
|-----|----------|------|-----------------------|
| 10  | 98-7531  | 2    | Hook-Engine           |
| 20  | 100-9195 | 2    | Bolt                  |
| 30  | 108-6573 | 1    | Gasket-Head, Cylinder |
| 40  | 108-6574 | 1    | Cylinder Head ASM     |
| 50  | 98-9395  | 1    | Cap-Sealing           |
| 60  | 98-7540  | 2    | Plug                  |
| 70  | 107-9066 | 3    | Guide-Valve, Inlet    |
| 80  | 107-9067 | 3    | Guide-Valve, Exhaust  |
| 90  | 98-9389  | 2    | Cap-Sealing           |
| 100 | 98-9479  | 1    | Bolt-Head, Cylinder   |
| 110 | 98-9647  | 2    | Bolt-Head, Cylinder   |
| 130 | 98-9444  | 1    | Plug                  |

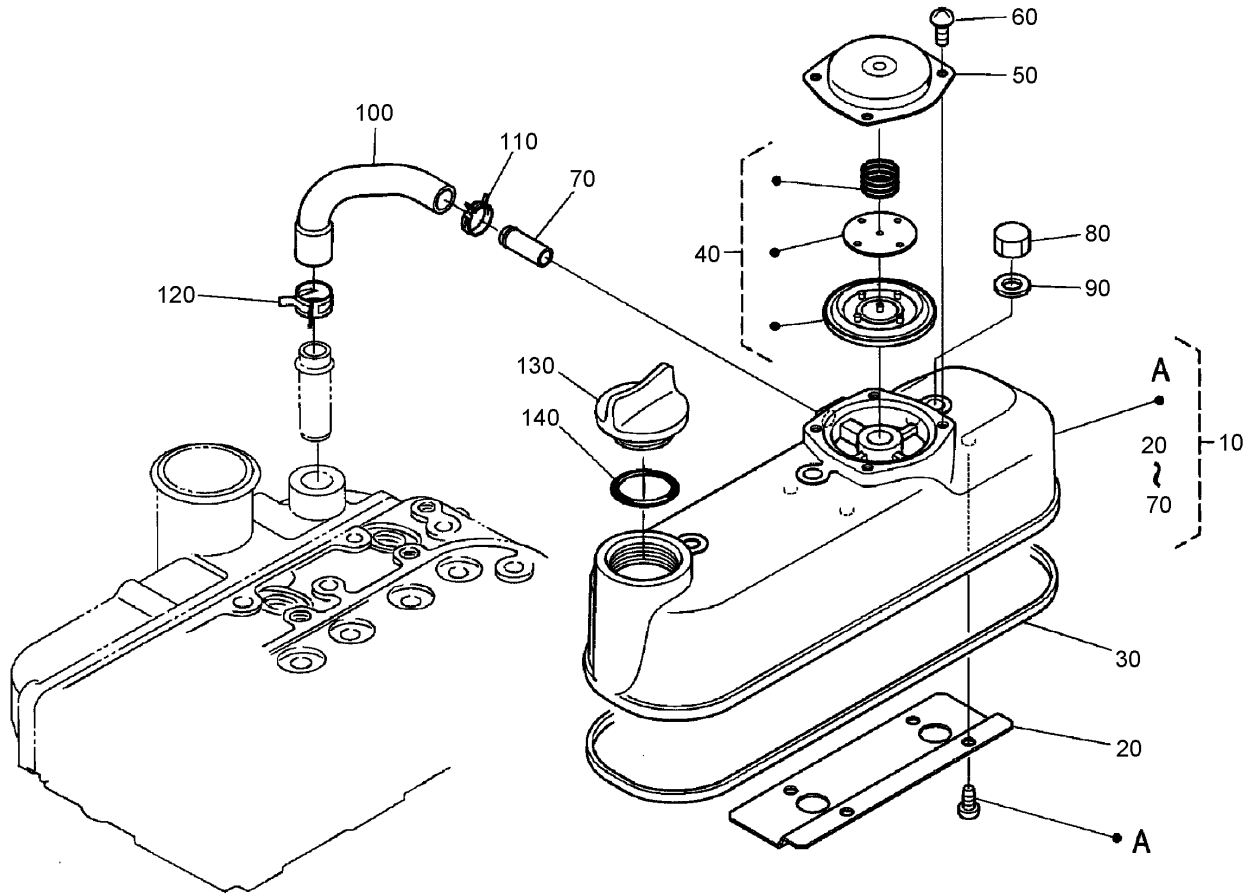
|  |  |  |  |
|--|--|--|--|
|  |  |  |  |
|  |  |  |  |
|  |  |  |  |
|  |  |  |  |



### Gear Case Assembly

| Ref | Part No. | Qty. | Description        |
|-----|----------|------|--------------------|
| 10  | 107-9068 | 1    | Gear Case ASM      |
| 20  | 98-9598  | 2    | Plug               |
| 25  | 98-7487  | 1    | Plug               |
| 30  | 98-7562  | 1    | Washer-Plain       |
| 40  | 98-9388  | 1    | Joint-Pipe         |
| 50  | 98-9544  | 1    | Spring             |
| 60  | 98-9543  | 1    | Seat-Valve         |
| 70  | 98-9380  | 1    | Ball               |
| 80  | 98-9540  | 1    | Oil Pump Rotor ASM |
| 85  | 107-9069 | 1    | Cover-Pump, Oil    |
| 90  | 107-9071 | 5    | Screw              |
| 100 | 107-9072 | 2    | Pin-Straight       |
| 110 | 98-9633  | 1    | Gasket-Case, Gear  |
| 120 | 107-9073 | 3    | Bolt               |
| 130 | 105-3797 | 4    | Bolt               |
| 140 | 98-9356  | 4    | Bolt               |
| 150 | 107-9074 | 1    | Bolt               |
| 160 | 98-9586  | 1    | Bolt               |
| 170 | 105-3709 | 1    | Stud               |
| 180 | 98-7572  | 1    | Nut                |
| 190 | 98-7699  | 1    | Washer-Spring      |
| 200 | 98-9482  | 1    | Seal-Oil           |
| 210 | 105-3710 | 2    | Stud               |
| 220 | 98-9641  | 1    | Cover              |

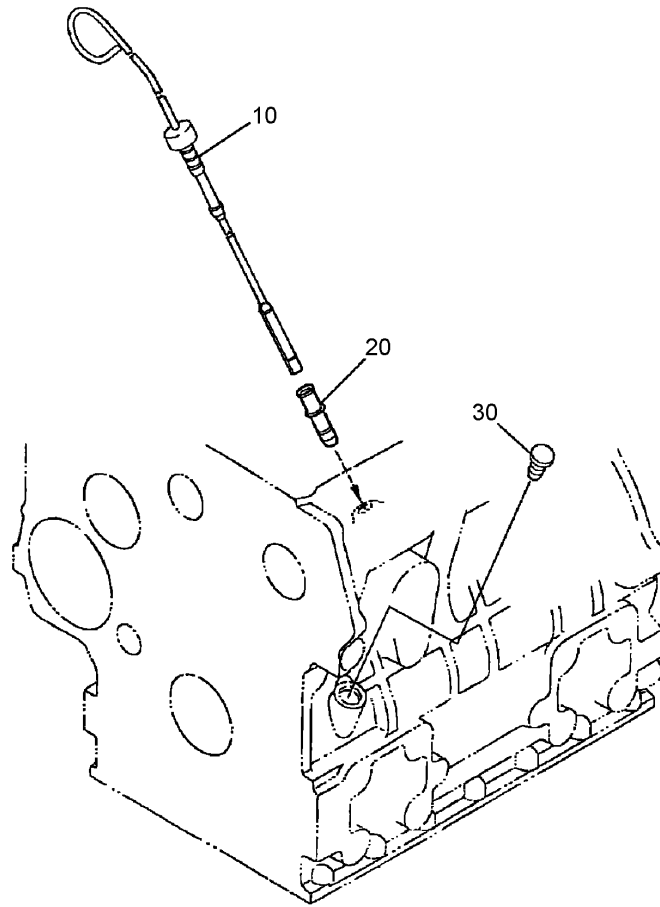
| Ref | Part No. | Qty. | Description |
|-----|----------|------|-------------|
| 230 | 104-5167 | 1    | Filter-Oil  |



### Head Cover Assembly

| Ref | Part No. | Qty. | Description             |
|-----|----------|------|-------------------------|
| 10  | 108-6575 | 1    | Cylinder Head Cover ASM |
| 20  | 108-2857 | 1    | Shield-Breather         |
| 30  | 98-9615  | 1    | Gasket-Cover, Head      |
| 40  | 108-2861 | 1    | Breather Valve ASM      |
| 50  | 108-2862 | 1    | Cover-Breather          |
| 60  | 108-2863 | 4    | Screw-PPH               |
| 70  | 98-7766  | 1    | Pipe-Return, Water      |
| 80  | 98-9455  | 3    | Nut-Cap                 |
| 90  | 98-9454  | 3    | Gasket                  |
| 100 | 108-2858 | 1    | Tube-Beather            |
| 110 | 108-2859 | 1    | Clamp-Hose              |
| 120 | 108-2860 | 1    | Clamp-Hose              |
| 130 | 107-9075 | 1    | Plug-Filler, Oil        |
| 140 | 99-3446  | 1    | O-Ring                  |

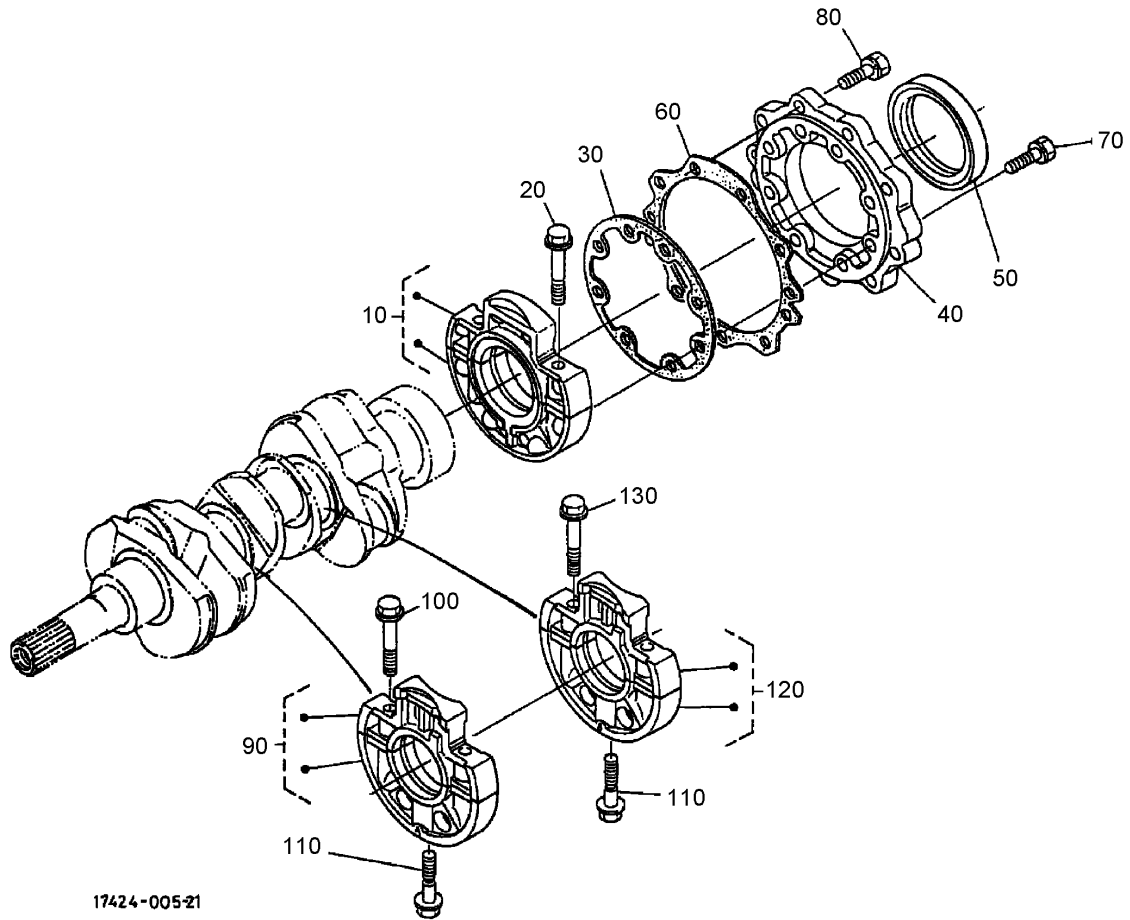
|  |  |  |  |
|--|--|--|--|
|  |  |  |  |
|  |  |  |  |
|  |  |  |  |
|  |  |  |  |



### Dipstick and Guide Assembly

| Ref | Part No. | Qty. | Description      |
|-----|----------|------|------------------|
| 10  | 107-9076 | 1    | Gauge-Oil        |
| 20  | 105-3713 | 1    | Guide-Gauge, Oil |
| 30  | 105-3715 | 1    | Plug-Gauge, Oil  |

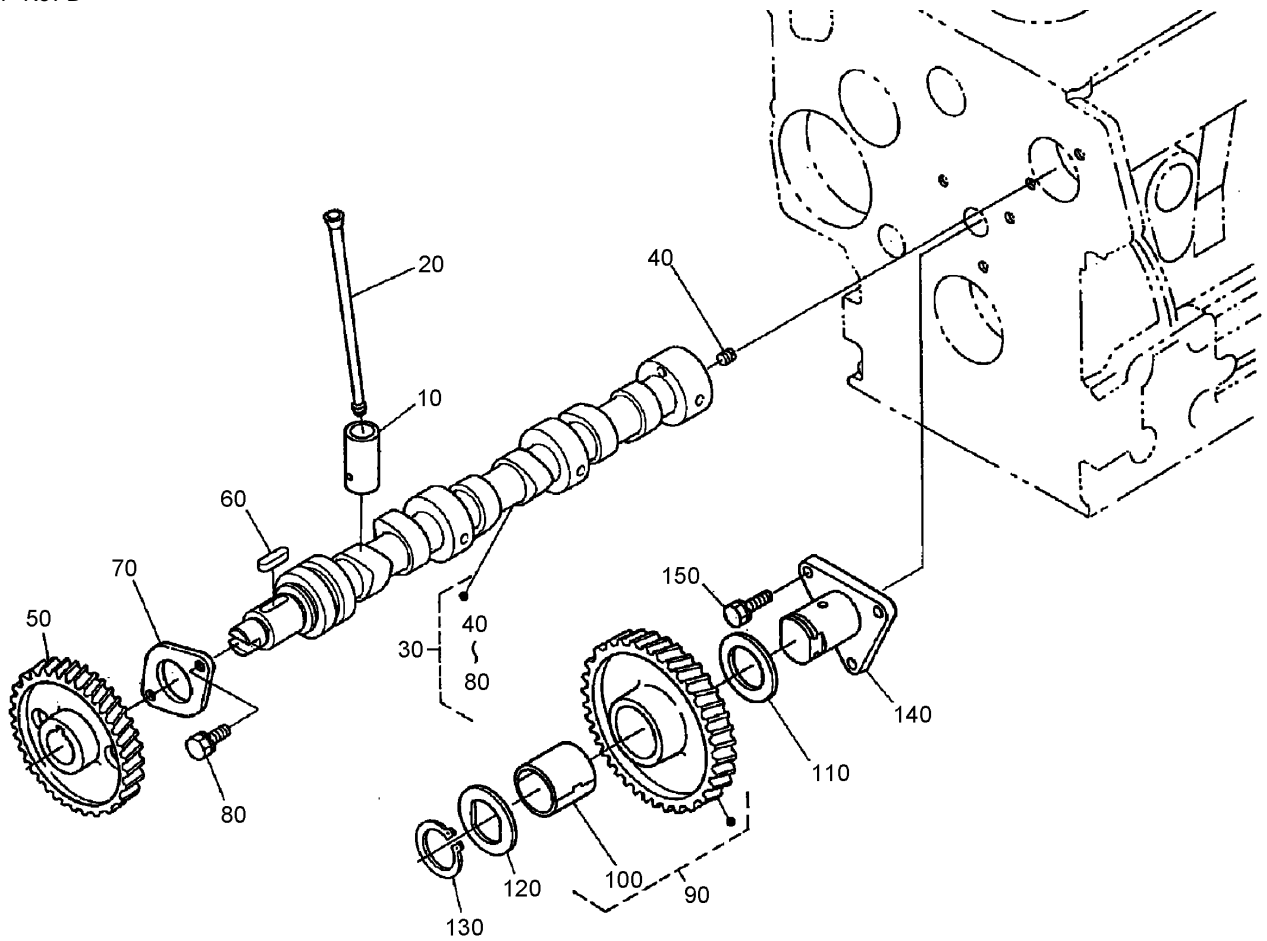




17424-005-21

## Main Bearing Case Assembly

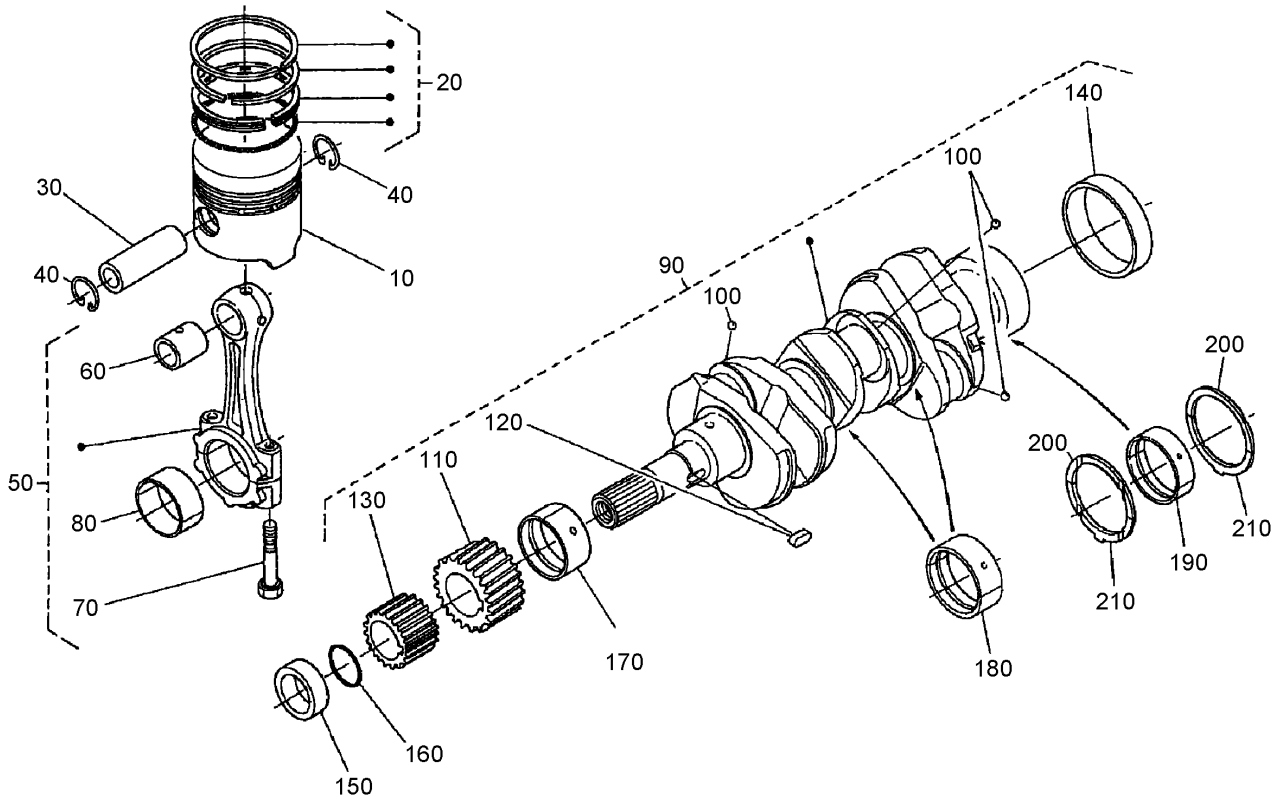
| Ref | Part No. | Qty. | Description                |
|-----|----------|------|----------------------------|
| 10  | 98-9480  | 1    | Main Bearing Case ASM      |
| 20  | 98-9484  | 6    | Bolt-Case, Bearing         |
| 30  | 98-9634  | 1    | Gasket-Case, Bearing       |
| 40  | 98-9487  | 1    | Cover-Case, Bearing        |
| 50  | 98-9483  | 1    | Seal-Oil                   |
| 60  | 98-9635  | 1    | Gasket-Cover, Bearing Case |
| 70  | 98-9352  | 8    | Bolt                       |
| 80  | 98-7568  | 9    | Bolt                       |
| 90  | 98-9606  | 1    | Main Bearing Case ASM      |
| 100 | 98-9484  | 2    | Bolt-Case, Bearing         |
| 110 | 98-9485  | 2    | Bolt-Case, Bearing         |
| 120 | 98-9607  | 1    | Main Bearing Case ASM      |
| 130 | 98-9484  | 2    | Bolt-Case, Bearing         |



## Camshaft and Idle Gear Shaft Assembly

| Ref | Part No. | Qty. | Description              |
|-----|----------|------|--------------------------|
| 10  | 98-9616  | 6    | Tappet                   |
| 20  | 98-9509  | 6    | Rod-Push                 |
| 30  | 108-6576 | 1    | Camshaft ASM             |
| 40  | 98-7449  | 1    | Screw-Set                |
| 50  | 98-9512  | 1    | Gear-Cam                 |
| 60  | 98-9378  | 1    | Key-Feather              |
| 70  | 98-9510  | 1    | Stopper-Camshaft         |
| 80  | 98-9351  | 2    | Bolt                     |
| 90  | 98-9649  | 1    | Idle Gear ASM            |
| 100 | 98-9650  | 1    | Bushing-Gear, Idle       |
| 110 | 98-9535  | 1    | Collar-Gear, Idle        |
| 120 | 98-9536  | 1    | Collar-Gear, Idle        |
| 130 | 98-9534  | 1    | Clip-Circular, Idle Gear |
| 140 | 98-9533  | 1    | Shaft-Gear, Idle         |
| 150 | 98-7692  | 3    | Bolt                     |

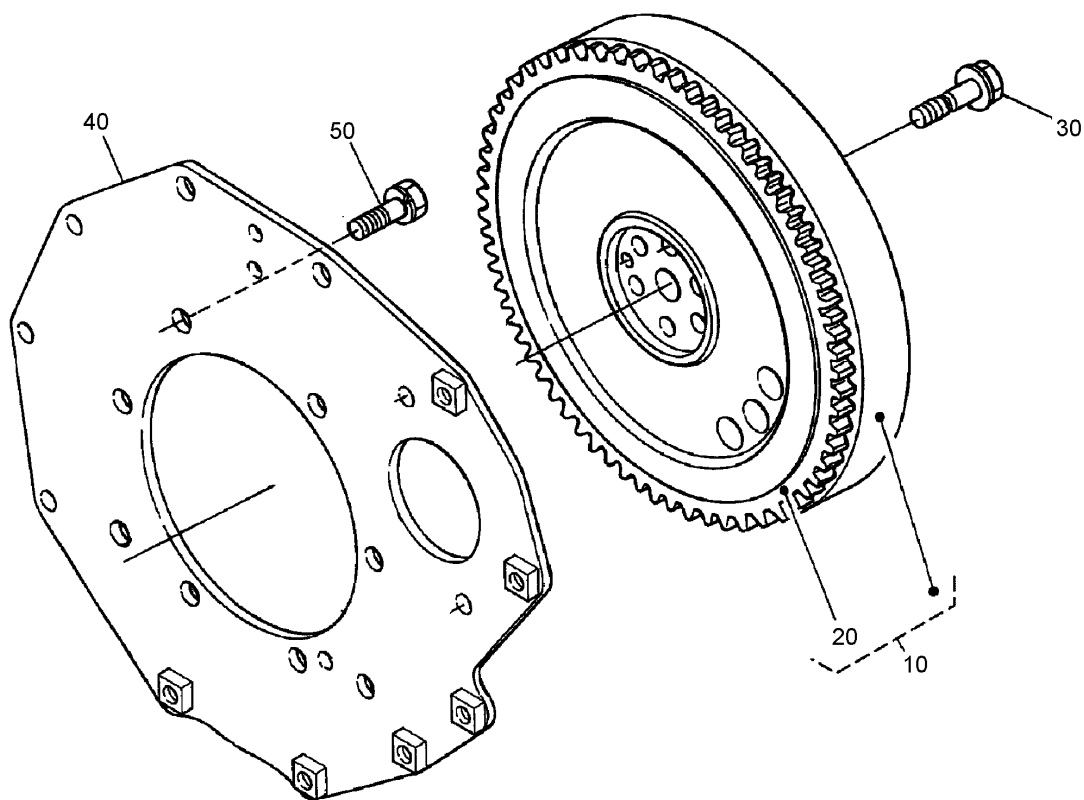
|  |  |  |  |
|--|--|--|--|
|  |  |  |  |
|--|--|--|--|



## Piston and Crankshaft Assembly

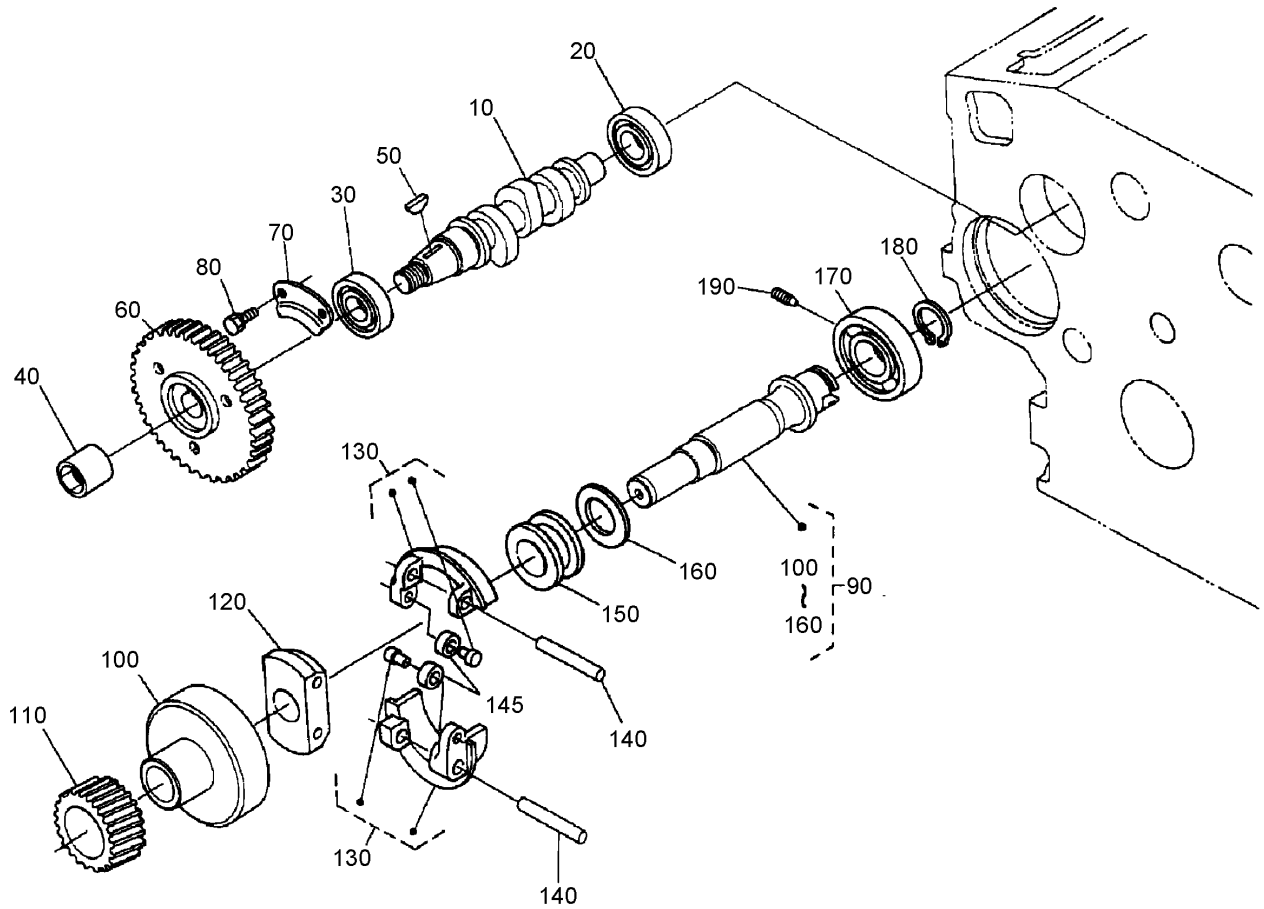
| Ref | Part No. | Qty. | Description                |
|-----|----------|------|----------------------------|
| 10  | 98-9470  | 3    | Piston (0.5Mm)             |
| 10  | 98-9469  | 3    | Piston (STD)               |
| 20  | 98-9619  | 3    | Piston Ring ASM (0.5Mm)    |
| 20  | 98-9618  | 3    | Piston Ring ASM (STD)      |
| 30  | 98-9513  | 3    | Pin-Piston                 |
| 40  | 98-9514  | 6    | Clip-Circular, Piston Pin  |
| 50  | 98-9516  | 3    | Connecting Rod ASM         |
| 60  | 98-9515  | 3    | Bushing-Pin, Piston        |
| 70  | 98-9517  | 6    | Bolt-Rod, Connecting       |
| 80  | 98-9520  | 3    | Bearing-Rod (0.4Mm)        |
| 80  | 98-9519  | 3    | Bearing-Rod (0.2Mm)        |
| 80  | 98-9518  | 3    | Metal-Crankpin (STD)       |
| 90  | 98-9642  | 1    | Crankshaft ASM             |
| 100 | 98-7473  | 3    | Ball                       |
| 110 | 98-9532  | 1    | Gear-Crankshaft            |
| 120 | 98-9666  | 1    | Key                        |
| 130 | 98-9542  | 1    | Gear-Drive, Oil Pump       |
| 140 | 98-9522  | 1    | Sleeve-Crankshaft          |
| 150 | 98-9521  | 1    | Collar-Crankshaft          |
| 160 | 105-3783 | 1    | O-Ring                     |
| 170 | 98-9523  | 1    | Metal Crankshaft (STD)     |
| 170 | 98-9528  | 1    | Bearing-Main (0.2Mm)       |
| 170 | 98-9529  | 1    | Bearing-Main (0.4Mm)       |
| 180 | 98-9524  | 2    | Metal-Crankshaft (STD Set) |

| Ref | Part No. | Qty. | Description             |
|-----|----------|------|-------------------------|
| 180 | 98-9530  | 2    | Bearing-Main (0.2Mm)    |
| 180 | 98-9531  | 2    | Bearing-Main (0.4Mm)    |
| 190 | 98-9556  | 1    | Bearing-Main (STD)      |
| 190 | 105-3719 | 1    | Metal-Crankshaft (.2Mm) |
| 190 | 105-3720 | 1    | Metal-Crankshaft (.4Mm) |
| 200 | 98-9413  | 2    | Bearing-Thrust (STD)    |
| 200 | 98-9414  | 2    | Bearing-Thrust (0.2Mm)  |
| 200 | 98-9415  | 2    | Bearing-Thrust (0.4Mm)  |
| 210 | 98-9688  | 2    | Bearing-Thrust (STD)    |
| 210 | 98-9689  | 2    | Bearing-Thrust (0.2Mm)  |
| 210 | 98-9690  | 2    | Bearing-Thrust (0.4Mm)  |



## Flywheel Assembly

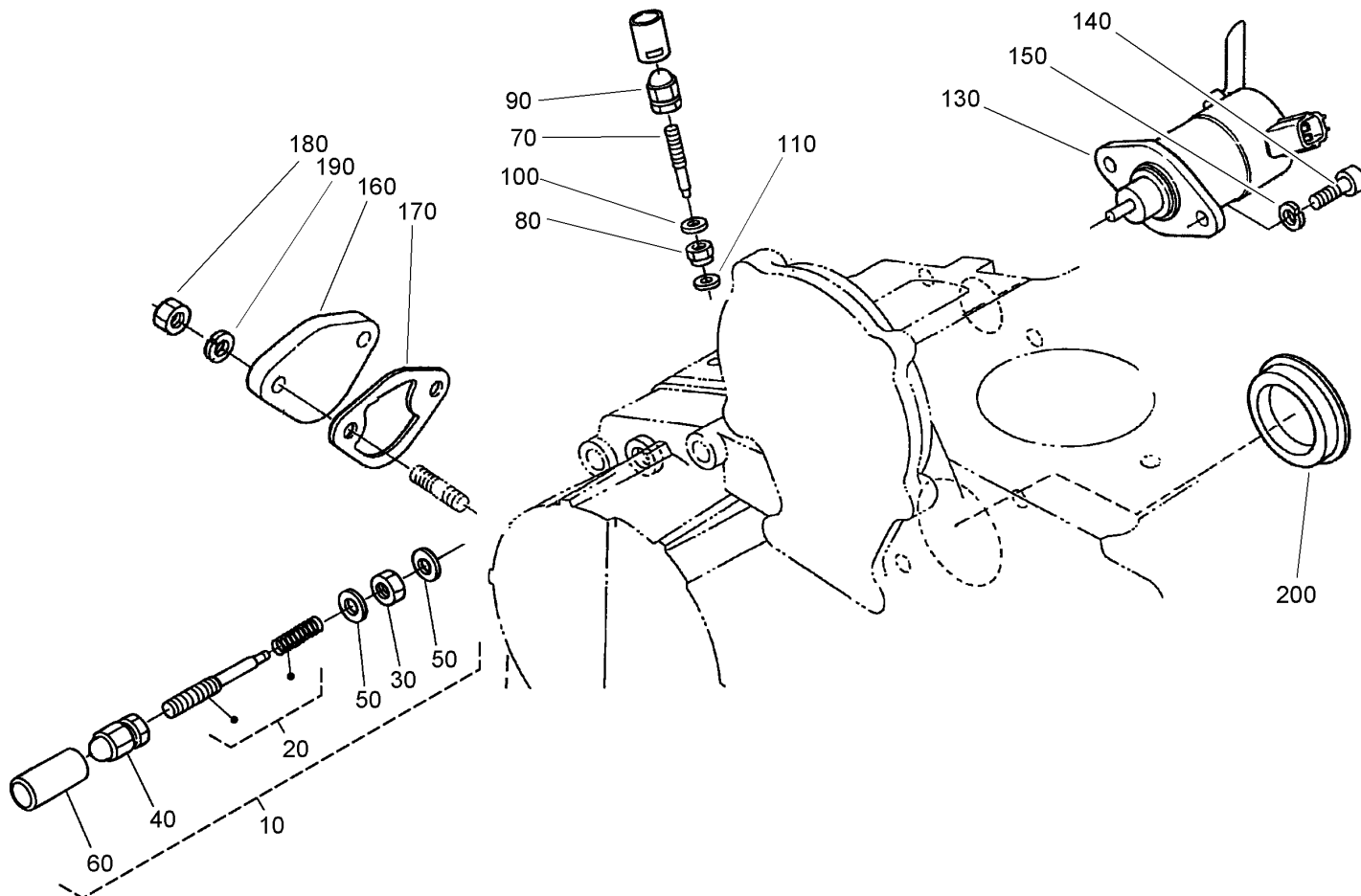
| Ref | Part No. | Qty. | Description     |  |  |
|-----|----------|------|-----------------|--|--|
| 10  | 105-3784 | 1    | Flywheel ASM    |  |  |
| 20  | 105-3722 | 1    | Gear-Ring       |  |  |
| 30  | 98-9537  | 6    | Bolt-Flywheel   |  |  |
| 40  | 98-9486  | 1    | Plate-End, Rear |  |  |
| 50  | 98-9392  | 8    | Bolt            |  |  |
|     |          |      |                 |  |  |
|     |          |      |                 |  |  |
|     |          |      |                 |  |  |
|     |          |      |                 |  |  |
|     |          |      |                 |  |  |
|     |          |      |                 |  |  |
|     |          |      |                 |  |  |
|     |          |      |                 |  |  |
|     |          |      |                 |  |  |
|     |          |      |                 |  |  |



## Fuel Camshaft and Governor Shaft Assembly

| Ref | Part No. | Qty. | Description                   |
|-----|----------|------|-------------------------------|
| 10  | 98-9459  | 1    | Camshaft-Fuel                 |
| 20  | 107-9077 | 1    | Bearing-Ball                  |
| 30  | 107-9078 | 1    | Bearing-Ball                  |
| 40  | 98-9590  | 1    | Nut-Cap                       |
| 50  | 98-9595  | 1    | Key-Woodruff                  |
| 60  | 98-9669  | 1    | Gear-Pump, Injection          |
| 70  | 98-9511  | 1    | Stopper-Fuel, Camshaft        |
| 80  | 98-9350  | 2    | Bolt                          |
| 90  | 98-9644  | 1    | Governor Shaft ASM            |
| 100 | 98-9562  | 1    | Holder-Gear, Governor         |
| 110 | 98-9673  | 1    | Gear-Governor                 |
| 120 | 98-9561  | 1    | Holder-Weight, Governor       |
| 130 | 98-9559  | 2    | Governor Weight ASM           |
| 140 | 98-9560  | 2    | Shaft-Weight, Governor        |
| 145 | 98-9692  | 2    | Roller                        |
| 150 | 98-9563  | 1    | Sleeve-Governor               |
| 160 | 98-9564  | 1    | Washer-Thrust                 |
| 170 | 107-9079 | 1    | Bearing-Ball                  |
| 180 | 98-9657  | 1    | Clip-Circular, Governor Shaft |
| 190 | 98-9565  | 1    | Screw-Set                     |

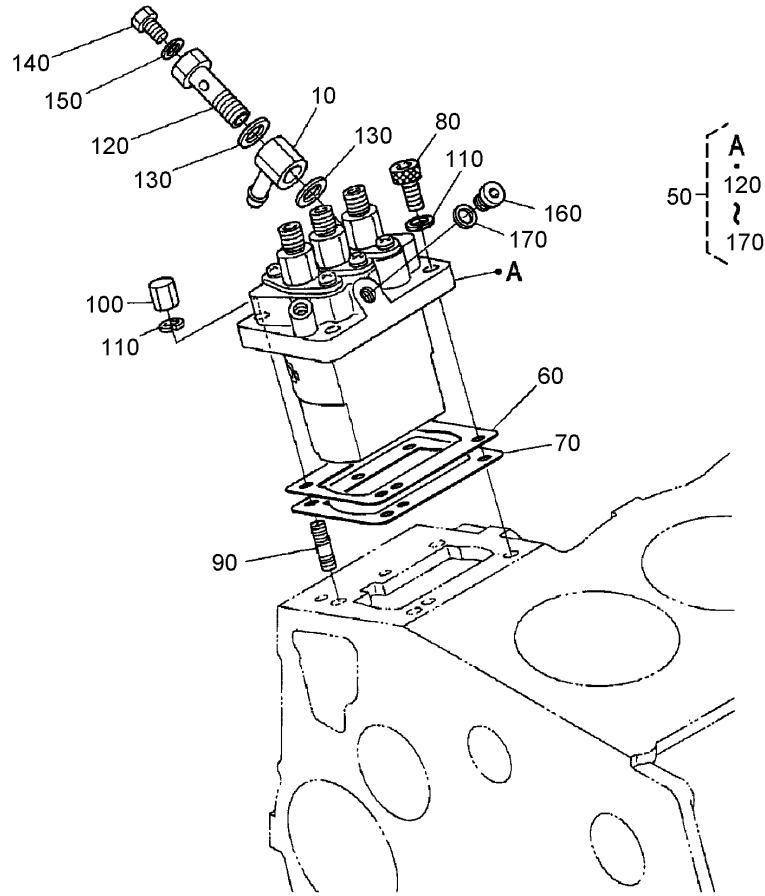
|  |  |  |  |
|--|--|--|--|
|  |  |  |  |
|  |  |  |  |
|  |  |  |  |
|  |  |  |  |



### Idle Apparatus Assembly

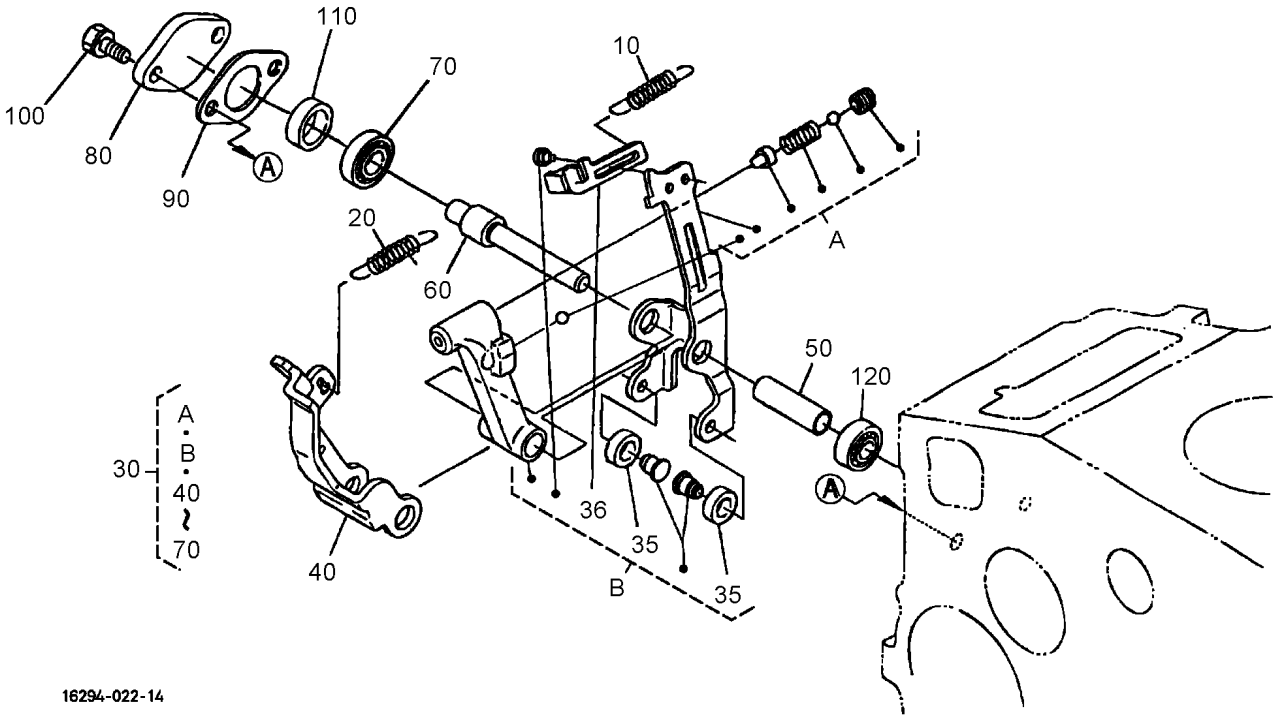
| Ref | Part No. | Qty. | Description        |
|-----|----------|------|--------------------|
| 10  | 98-9678  | 1    | Idle Apparatus ASM |
| 20  | 98-9679  | 1    | Adjusting Bolt ASM |
| 30  | 98-9439  | 1    | Nut                |
| 40  | 99-8387  | 1    | Nut-Cap            |
| 50  | 98-7654  | 2    | Gasket             |
| 60  | 98-7656  | 1    | Cap                |
| 70  | 98-9557  | 1    | Bolt-Adjusting     |
| 80  | 99-3512  | 1    | Nut                |
| 90  | 99-8387  | 1    | Nut-Cap            |
| 100 | 98-7654  | 1    | Gasket             |
| 110 | 107-9081 | 1    | Gasket             |
| 130 | 104-5155 | 1    | Solenoid-Stop      |
| 140 | 105-3799 | 2    | Bolt-HSH           |
| 150 | 98-7699  | 2    | Washer-Spring      |
| 160 | 99-3514  | 1    | Cover              |
| 170 | 98-9636  | 1    | Gasket-Pump, Fuel  |
| 180 | 98-7572  | 2    | Nut                |
| 190 | 98-7699  | 2    | Washer-Spring      |
| 200 | 98-9640  | 1    | Cover-Pump         |

|  |  |  |  |
|--|--|--|--|
|  |  |  |  |
|--|--|--|--|



### Injection Pump Assembly

| Ref | Part No. | Qty. | Description             |
|-----|----------|------|-------------------------|
| 10  | 98-9596  | 1    | Joint-Eye               |
| 50  | 98-9643  | 1    | Injection Pump ASM      |
| 60  | 98-9457  | 1    | Shim-Injection (0.25Mm) |
| 60  | 98-9456  | 1    | Shim (0.2Mm)            |
| 70  | 98-9458  | 1    | Shim-Injection (0.30Mm) |
| 80  | 98-9361  | 2    | Bolt-HSH                |
| 90  | 98-9438  | 2    | Stud                    |
| 100 | 98-9440  | 2    | Nut-Cap                 |
| 110 | 98-7699  | 4    | Washer-Spring           |
| 120 | 98-9464  | 1    | Bolt-Joint              |
| 130 | 98-9445  | 2    | Gasket                  |
| 140 | 98-9430  | 1    | Screw                   |
| 150 | 98-9446  | 1    | Gasket                  |
| 160 | 98-9466  | 1    | Plug                    |
| 170 | 98-9451  | 1    | Gasket                  |



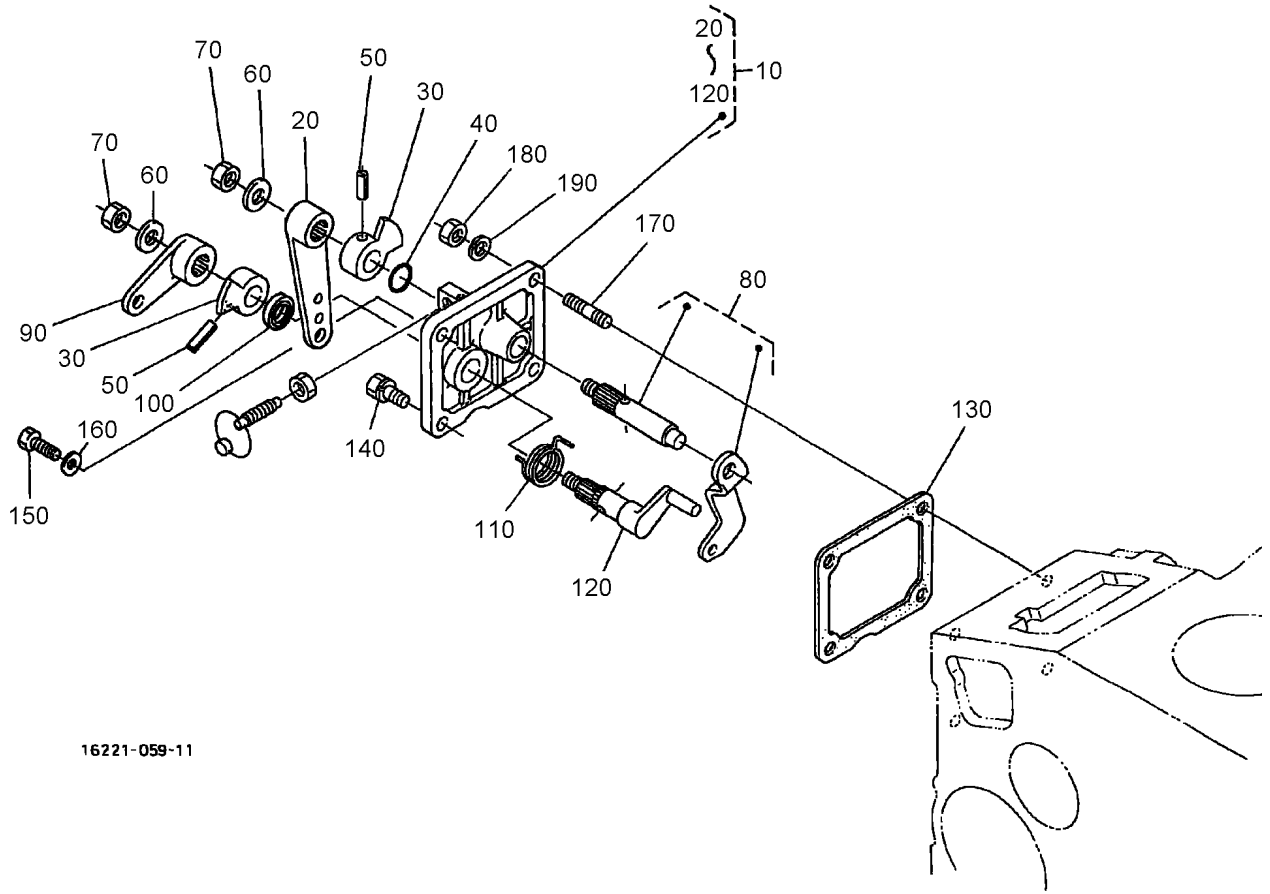
16294-022-14

## Governor Assembly

| Ref | Part No. | Qty. | Description             |
|-----|----------|------|-------------------------|
| 10  | 105-3786 | 1    | Spring-Start            |
| 20  | 98-9681  | 1    | Spring-Governor         |
| 30  | 107-9082 | 1    | Fork Lever ASM          |
| 35  | 98-9692  | 2    | Roller                  |
| 36  | 107-9083 | 1    | Lever-Thrust            |
| 40  | 107-9084 | 1    | Lever-Fork              |
| 50  | 107-9085 | 1    | Shaft-Lever, Fork       |
| 60  | 107-9086 | 1    | Shaft-Lever, Fork       |
| 70  | 98-9570  | 1    | Bearing-Miniaturize     |
| 80  | 98-9569  | 1    | Cover-Shaft, Fork Lever |
| 90  | 98-9682  | 1    | Gasket                  |
| 100 | 98-9351  | 2    | Bolt                    |
| 110 | 98-9567  | 1    | Collar                  |
| 120 | 98-9571  | 1    | Bearing-Miniaturize     |

|  |  |  |  |
|--|--|--|--|
|  |  |  |  |
|--|--|--|--|

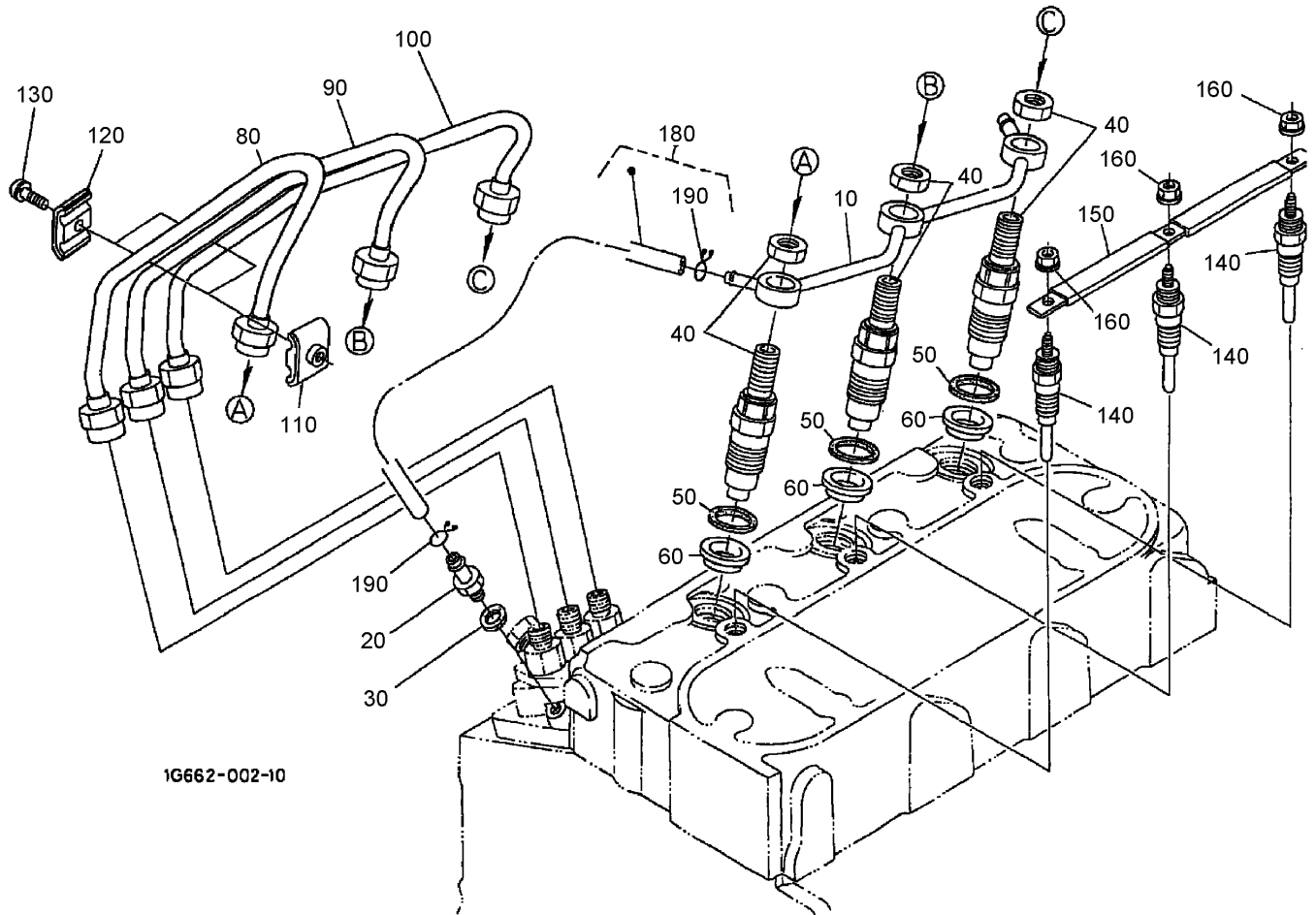




16221-059-11

# Speed Control Plate Assembly

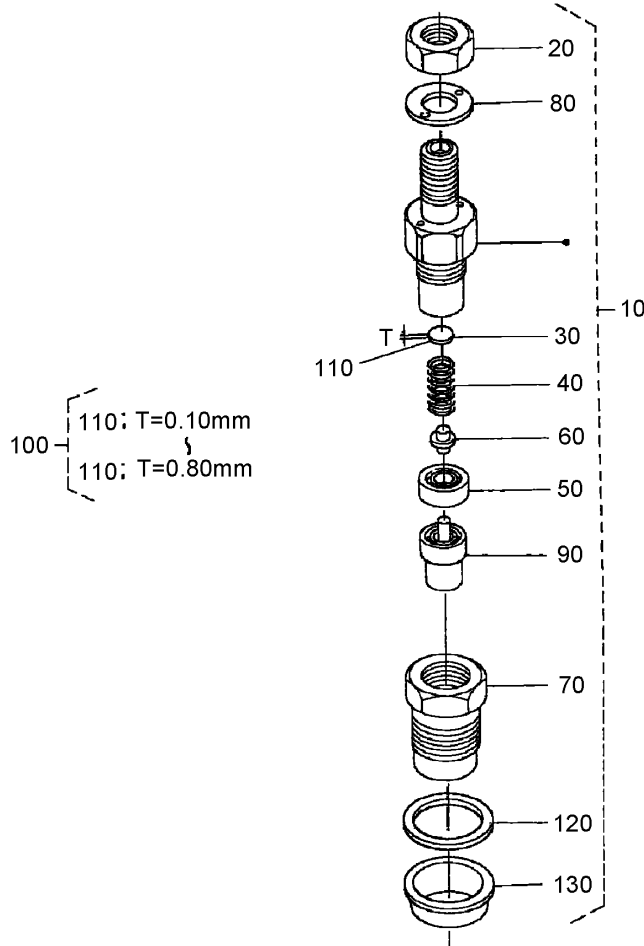
| Ref | Part No. | Qty. | Description          |
|-----|----------|------|----------------------|
| 10  | 105-3735 | 1    | Control Plate ASM    |
| 20  | 98-9662  | 1    | Lever-Control, Speed |
| 30  | 98-9572  | 2    | Lever-Control, Speed |
| 40  | 105-3788 | 1    | O-Ring               |
| 50  | 98-7602  | 2    | Pin-Spring           |
| 60  | 98-9594  | 2    | Washer-Plain         |
| 70  | 98-9589  | 2    | Nut                  |
| 80  | 98-9658  | 1    | Governor Lever ASM   |
| 90  | 98-9663  | 1    | Lever-Stop, Engine   |
| 100 | 98-7601  | 1    | Seal-Oil             |
| 110 | 98-9472  | 1    | Spring-Return        |
| 120 | 98-9664  | 1    | Shaft-Lever, Stop    |
| 130 | 98-9637  | 1    | Gasket               |
| 140 | 98-7692  | 1    | Bolt                 |
| 150 | 99-8348  | 1    | Bolt                 |
| 160 | 98-7654  | 2    | Gasket               |
| 170 | 105-3710 | 2    | Stud                 |
| 180 | 98-7572  | 2    | Nut                  |
| 190 | 98-7699  | 2    | Washer-Spring        |



### Nozzle Holder and Glow Plug Assembly

| Ref | Part No. | Qty. | Description        |
|-----|----------|------|--------------------|
| 10  | 98-9620  | 1    | Over Flow Pipe ASM |
| 20  | 98-9431  | 1    | Screw-Bleeder      |
| 30  | 98-7654  | 1    | Gasket             |
| 40  | 108-2866 | 3    | Nozzle Holder Kit  |
| 50  | 98-7676  | 3    | Gasket             |
| 60  | 98-7677  | 3    | Seal               |
| 80  | 98-9653  | 1    | Pipe-Injection     |
| 90  | 98-9654  | 1    | Pipe-Injection     |
| 100 | 98-9655  | 1    | Pipe-Injection     |
| 110 | 98-7682  | 2    | Clamp-Pipe         |
| 120 | 98-7683  | 2    | Clamp-Pipe         |
| 130 | 98-7684  | 2    | Screw (W/Washer)   |
| 140 | 98-9695  | 3    | Plug-Glow          |
| 150 | 98-9631  | 3    | Cord-Plug, Glow    |
| 160 | 99-8377  | 3    | Nut-Flange         |
| 180 | 98-9420  | 1    | Over Flow Pipe ASM |
| 190 | 98-7671  | 2    | Clip-Pipe          |

|  |  |  |  |
|--|--|--|--|
|  |  |  |  |
|--|--|--|--|

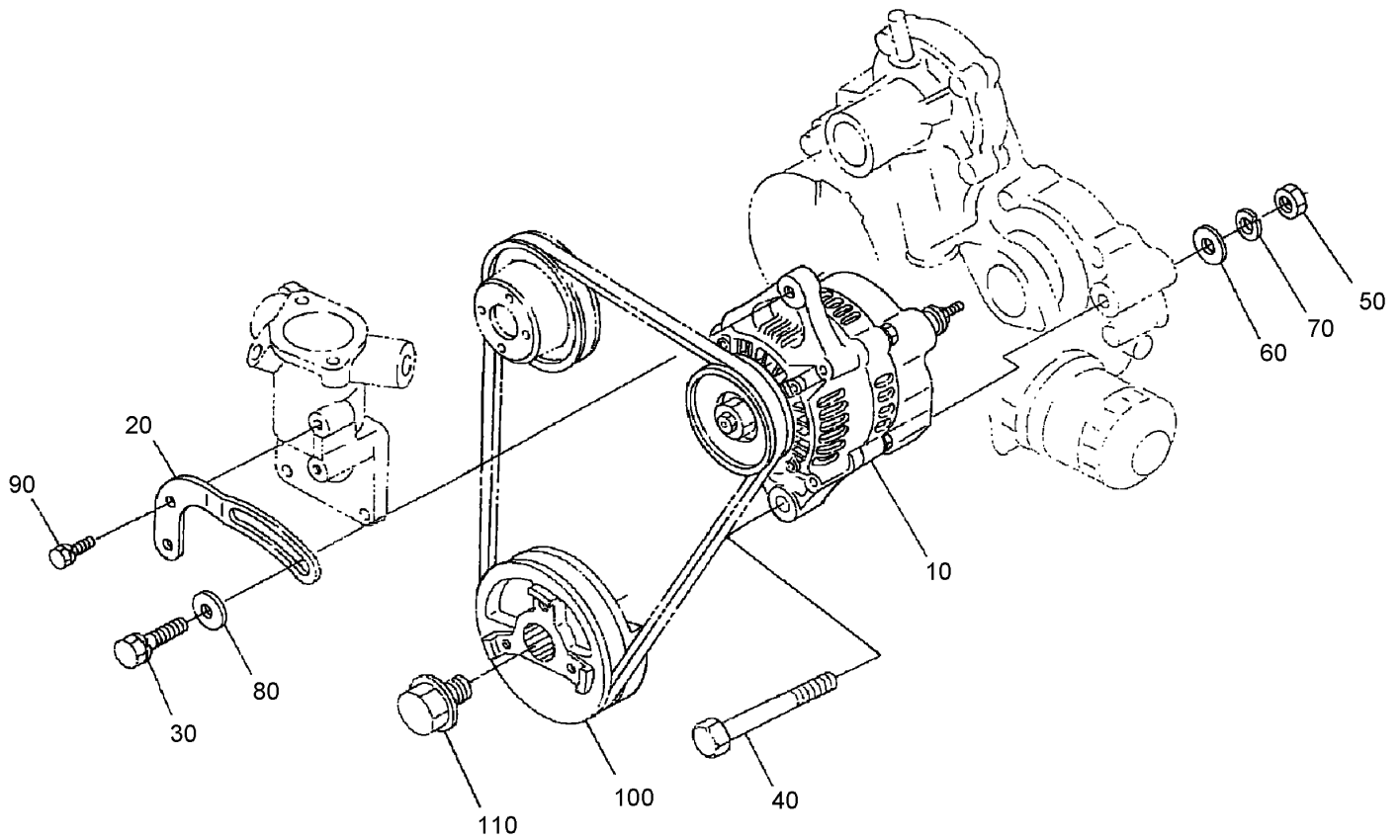


1G347-015-10

### Nozzle Holder Assembly

| Ref | Part No. | Qty. | Description            |
|-----|----------|------|------------------------|
| 10  | 108-2866 | 3    | Nozzle Holder Kit      |
| 20  | 99-8301  | 3    | Nut                    |
| 30  | 99-8302  | 3    | Washer-Adjusting       |
| 40  | 99-8303  | 3    | Spring-Nozzle          |
| 50  | 99-8304  | 3    | Spacer-Distance        |
| 60  | 99-8305  | 3    | Rod-Push               |
| 70  | 99-8306  | 3    | Nut-Nozzle             |
| 80  | 99-8307  | 3    | Washer-Plain           |
| 90  | 107-7826 | 3    | Piece-Nozzle           |
| 100 | 99-8309  | 3    | Adjusting Washer ASM   |
| 110 | 99-8310  | 3    | Washer-Adjust (0.10Mm) |
| 110 | 99-8311  | 3    | Washer-Adjust (0.20Mm) |
| 110 | 99-8312  | 3    | Washer-Adjust (0.30Mm) |
| 110 | 99-8313  | 3    | Washer-Adjust (0.40Mm) |
| 110 | 99-8314  | 3    | Washer-Adjust (0.50Mm) |
| 110 | 99-8315  | 3    | Washer-Adjust (0.52Mm) |
| 110 | 99-8316  | 3    | Washer-Adjust (0.54Mm) |
| 110 | 99-8317  | 3    | Washer-Adjust (0.56Mm) |
| 110 | 99-8318  | 3    | Washer-Adjust (0.58Mm) |
| 110 | 99-8319  | 3    | Washer-Adjust (0.80Mm) |
| 120 | 98-7676  | 3    | Gasket                 |
| 130 | 98-7677  | 3    | Seal                   |

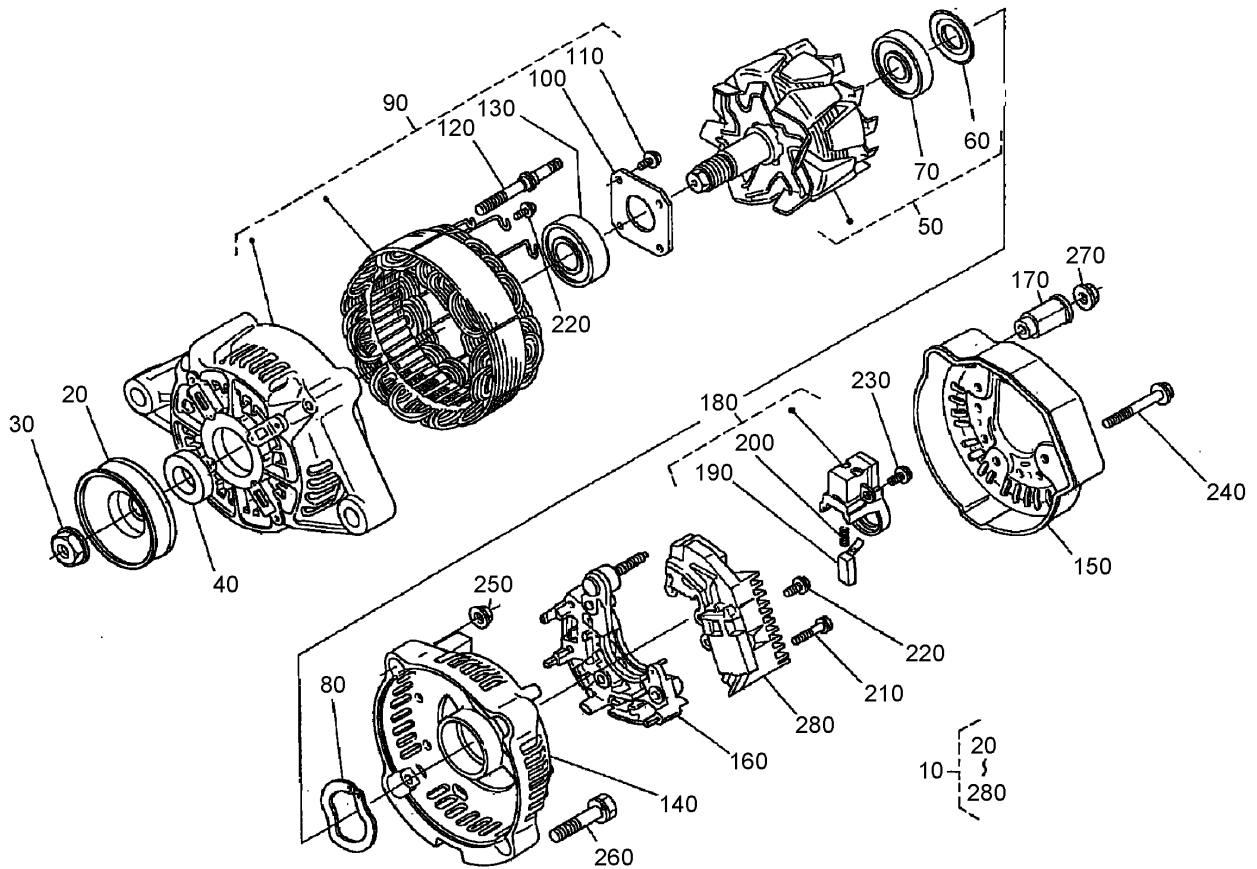
|  |  |  |  |
|--|--|--|--|
|  |  |  |  |
|--|--|--|--|



## Alternator and Pulley Assembly

| Ref | Part No. | Qty. | Description       |
|-----|----------|------|-------------------|
| 10  | 98-9474  | 1    | Alternator ASM    |
| 20  | 98-9573  | 1    | Stay-Dynamo       |
| 30  | 108-7088 | 1    | Bolt              |
| 40  | 98-9360  | 1    | Bolt              |
| 50  | 98-7737  | 1    | Nut               |
| 60  | 3256-24  | 1    | Washer-Flat       |
| 70  | 98-7738  | 1    | Washer-Spring     |
| 80  | 100-9233 | 1    | Washer-Plain      |
| 90  | 98-7692  | 1    | Bolt              |
| 100 | 98-9473  | 1    | Pulley-Drive, Fan |
| 110 | 98-9585  | 1    | Bolt              |

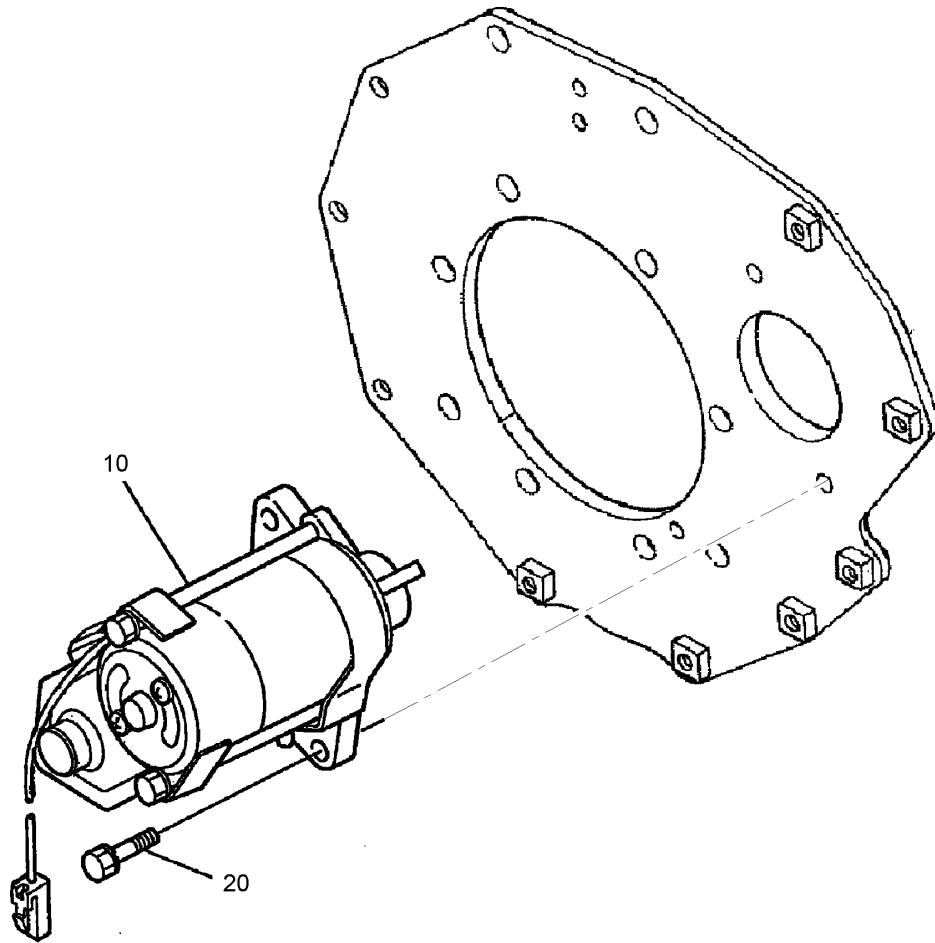
|  |  |  |  |
|--|--|--|--|
|  |  |  |  |
|--|--|--|--|



## Alternator (Component Part) Assembly

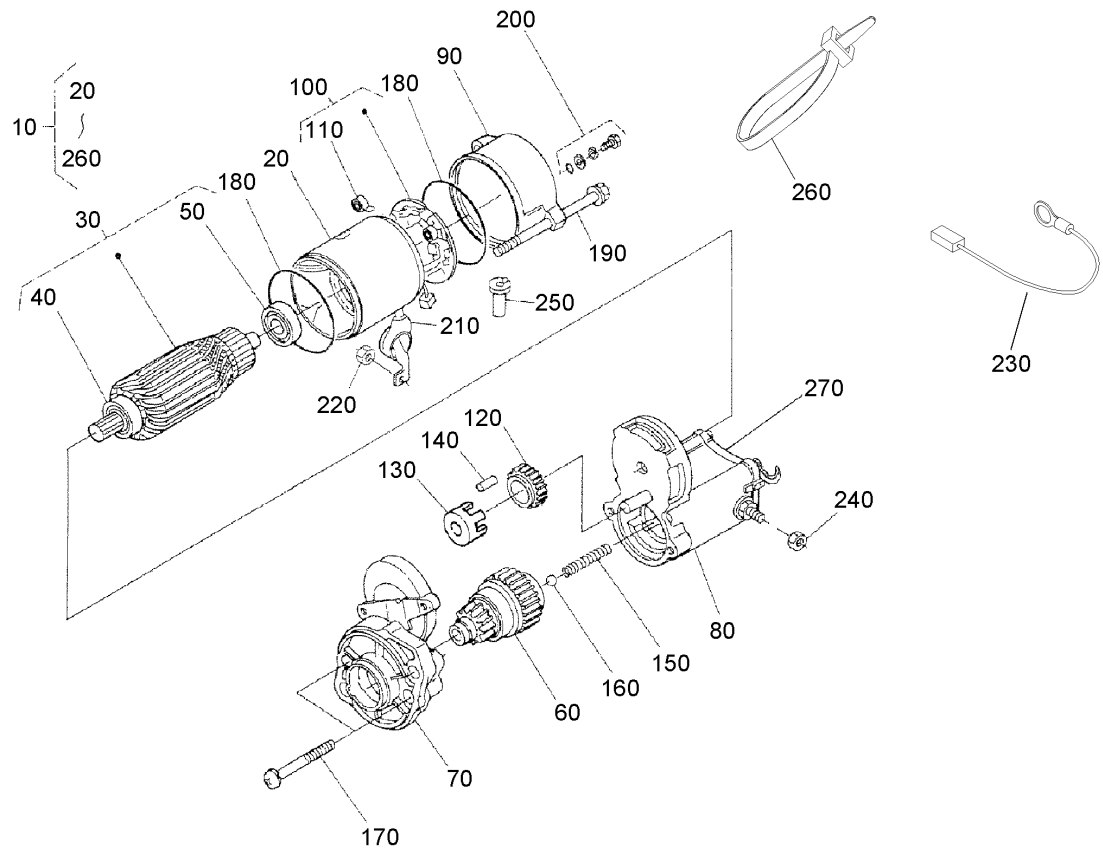
| Ref | Part No. | Qty. | Description         |
|-----|----------|------|---------------------|
| 10  | 98-9474  | 1    | Alternator ASM      |
| 20  | 98-9453  | 1    | Pulley-Dynamo       |
| 30  | 98-7708  | 1    | Nut                 |
| 40  | 98-7709  | 1    | Collar              |
| 50  | 107-0136 | 1    | Rotor               |
| 60  | 98-7711  | 1    | Cover-Bearing       |
| 70  | 107-0138 | 1    | Bearing-Ball        |
| 80  | 98-7713  | 1    | Washer-Thrust       |
| 90  | 107-0139 | 1    | Drive End Frame ASM |
| 100 | 98-7715  | 1    | Plate-Retainer      |
| 110 | 98-7716  | 4    | Screw-Head, Round   |
| 120 | 98-7717  | 2    | Bolt-Through        |
| 130 | 107-0137 | 1    | Bearing-Ball        |
| 140 | 107-9087 | 1    | Frame-End           |
| 150 | 107-0140 | 1    | Cover-End           |
| 160 | 98-9476  | 1    | Rectifier ASM       |
| 170 | 98-7722  | 1    | Bushing-Insulation  |
| 180 | 107-0141 | 1    | Holder-Brush        |
| 190 | 98-7724  | 2    | Brush               |
| 200 | 98-7725  | 2    | Spring-Brush        |
| 210 | 98-7726  | 2    | Screw-Head, Round   |
| 220 | 98-7727  | 6    | Screw-Head, Round   |
| 230 | 98-7728  | 1    | Screw-Head, Round   |
| 240 | 98-7729  | 3    | Bolt                |

| Ref | Part No. | Qty. | Description   |
|-----|----------|------|---------------|
| 250 | 98-7730  | 2    | Nut           |
| 260 | 98-7731  | 2    | Bolt          |
| 270 | 98-7732  | 1    | Nut           |
| 280 | 107-9088 | 1    | Regulator ASM |



### Starter Assembly

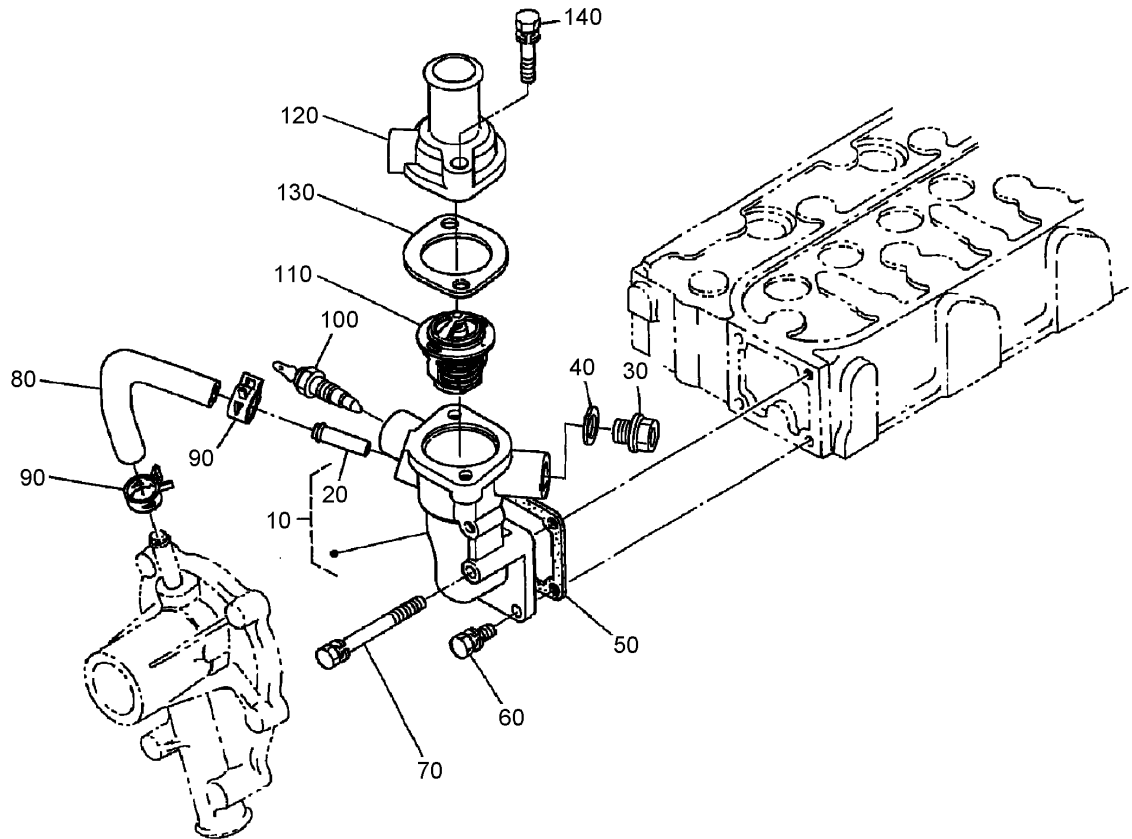
| Ref | Part No. | Qty. | Description |
|-----|----------|------|-------------|
| 10  | 98-9705  | 1    | Starter ASM |
| 20  | 98-7697  | 2    | Bolt        |



## Starter (Component Part) Assembly

| Ref | Part No. | Qty. | Description          |
|-----|----------|------|----------------------|
| 10  | 98-9705  | 1    | Starter ASM          |
| 20  | 104-8608 | 1    | Yoke ASM             |
| 30  | 98-7742  | 1    | Armature ASM         |
| 40  | 98-7744  | 1    | Bearing              |
| 50  | 98-7743  | 1    | Bearing              |
| 60  | 99-8373  | 1    | Clutch-Running, Over |
| 70  | 99-8374  | 1    | Frame-End, Drive     |
| 80  | 105-3746 | 1    | Magnetic Switch ASM  |
| 90  | 98-7748  | 1    | Frame-End            |
| 100 | 98-7749  | 1    | Brush Holder ASM     |
| 110 | 98-7750  | 4    | Spring-Brush         |
| 120 | 98-7751  | 1    | Gear                 |
| 130 | 98-7752  | 1    | Retainer             |
| 140 | 98-7753  | 5    | Roller               |
| 150 | 98-7754  | 1    | Spring               |
| 160 | 98-7755  | 1    | Ball                 |
| 170 | 98-7756  | 2    | Bolt                 |
| 180 | 98-7757  | 2    | O-Ring               |
| 190 | 100-9240 | 2    | Bolt                 |
| 200 | 98-7758  | 2    | Bolt ASM             |
| 210 | 99-8375  | 1    | Cover                |
| 220 | 99-8371  | 1    | Nut-Hex              |
| 230 | 98-9711  | 1    | Cord-Solenoid, Stop  |
| 240 | 99-8376  | 1    | Nut-Hex              |

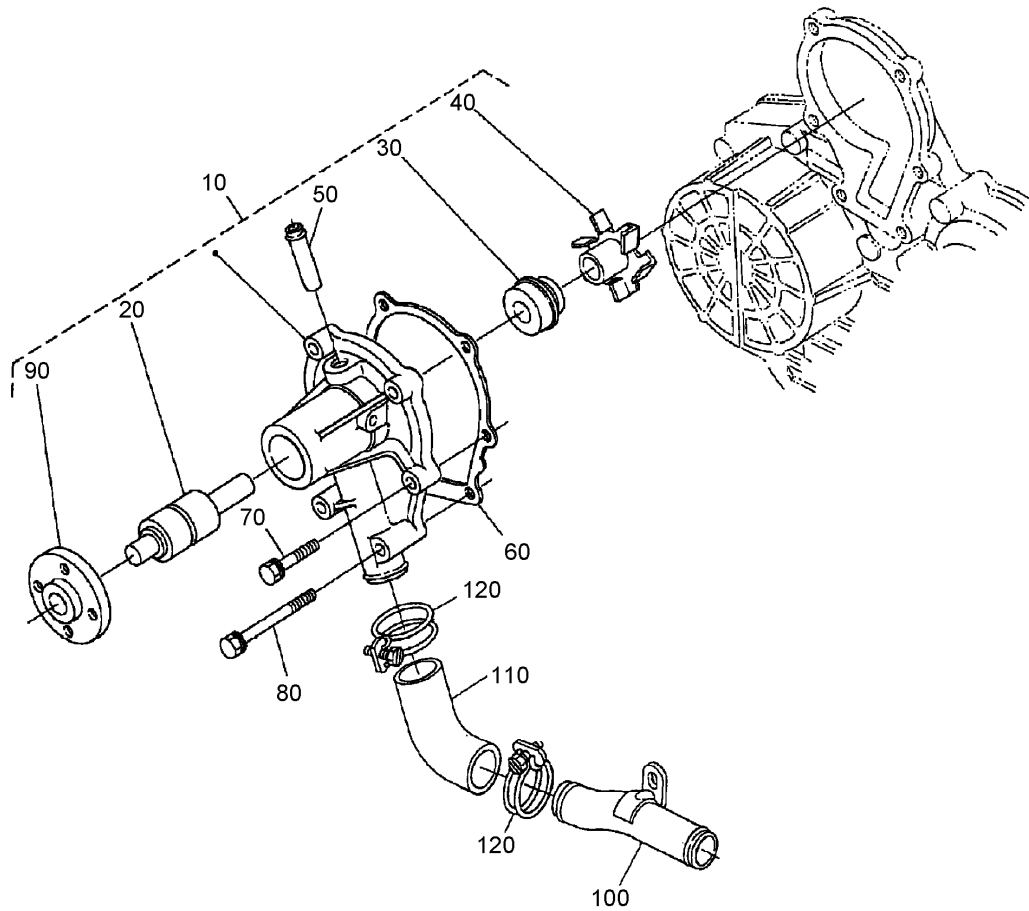
| Ref | Part No. | Qty. | Description |
|-----|----------|------|-------------|
| 250 | 98-7759  | 1    | Pipe-Drain  |
| 260 | 98-9712  | 1    | Band-Cover  |
| 270 | 105-2886 | 1    | Cover ASM   |



## Water Flange and Thermostat Assembly

| Ref | Part No. | Qty. | Description          |
|-----|----------|------|----------------------|
| 10  | 98-9713  | 1    | Water Flange ASM     |
| 20  | 98-9580  | 1    | Pipe-Return, Water   |
| 30  | 105-3747 | 1    | Plug                 |
| 40  | 99-3583  | 1    | Packing              |
| 50  | 98-9638  | 1    | Gasket-Flange, Water |
| 60  | 98-7692  | 3    | Bolt                 |
| 70  | 98-9356  | 1    | Bolt                 |
| 80  | 98-9578  | 1    | Pipe-Return, Water   |
| 90  | 98-9579  | 2    | Band-Pipe            |
| 100 | 98-9719  | 1    | Thermoswitch         |
| 110 | 98-7778  | 1    | Thermostat ASM       |
| 120 | 98-9471  | 1    | Cover-Thermostat     |
| 130 | 105-3748 | 1    | Gasket-Thermostat    |
| 140 | 98-7777  | 2    | Bolt                 |

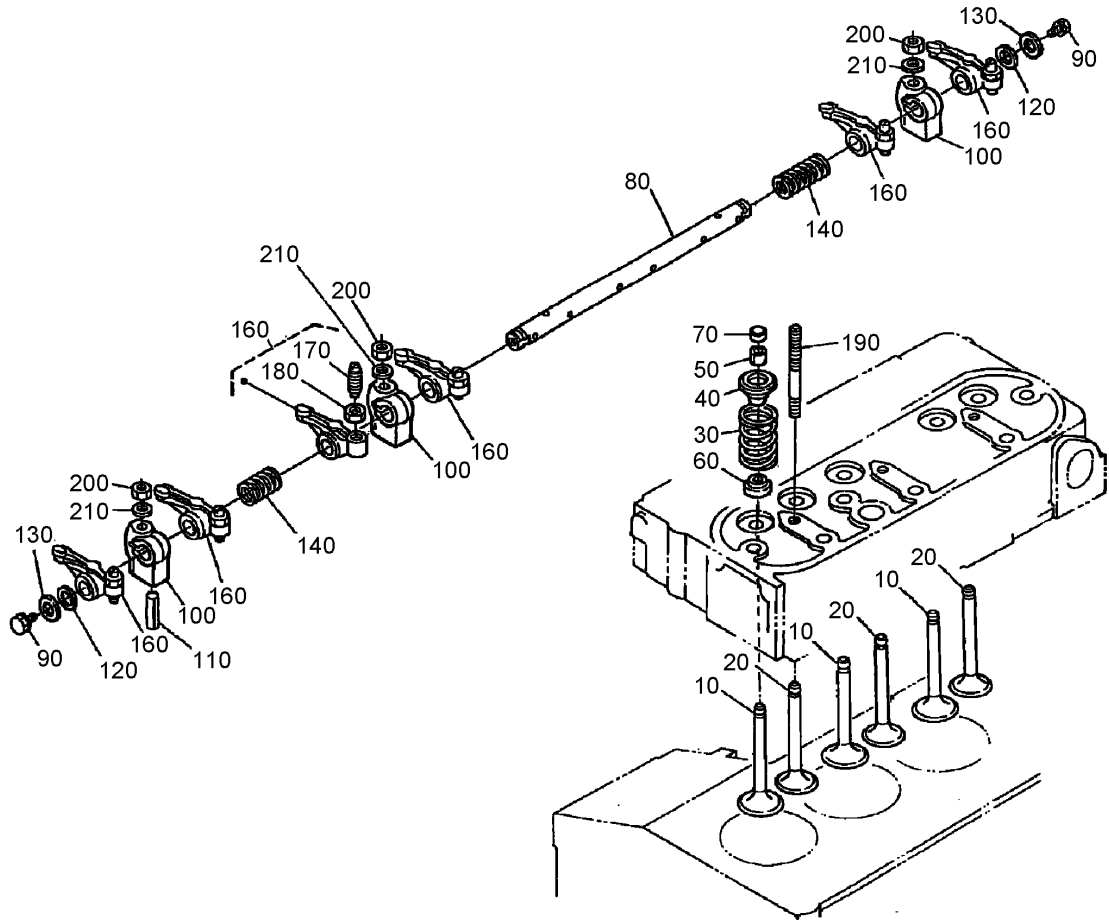




## Water Pump and Pipe Assembly

| Ref | Part No. | Qty. | Description          |
|-----|----------|------|----------------------|
| 10  | 107-9089 | 1    | Water Pump ASM       |
| 20  | 99-3517  | 1    | Bearing-Pump, Water  |
| 30  | 105-3750 | 1    | Mechanical Seal ASM  |
| 40  | 99-3519  | 1    | Impeller-Pump, Water |
| 50  | 98-9577  | 1    | Pipe-Return, Water   |
| 60  | 99-3454  | 1    | Gasket-Pump, Water   |
| 70  | 98-9353  | 4    | Bolt                 |
| 80  | 107-9090 | 2    | Bolt                 |
| 90  | 99-3516  | 4    | Flange-Pump, Water   |
| 100 | 98-9716  | 1    | Pipe-Water           |
| 110 | 107-9091 | 1    | Pipe-Water           |
| 120 | 98-9717  | 2    | Clamp                |

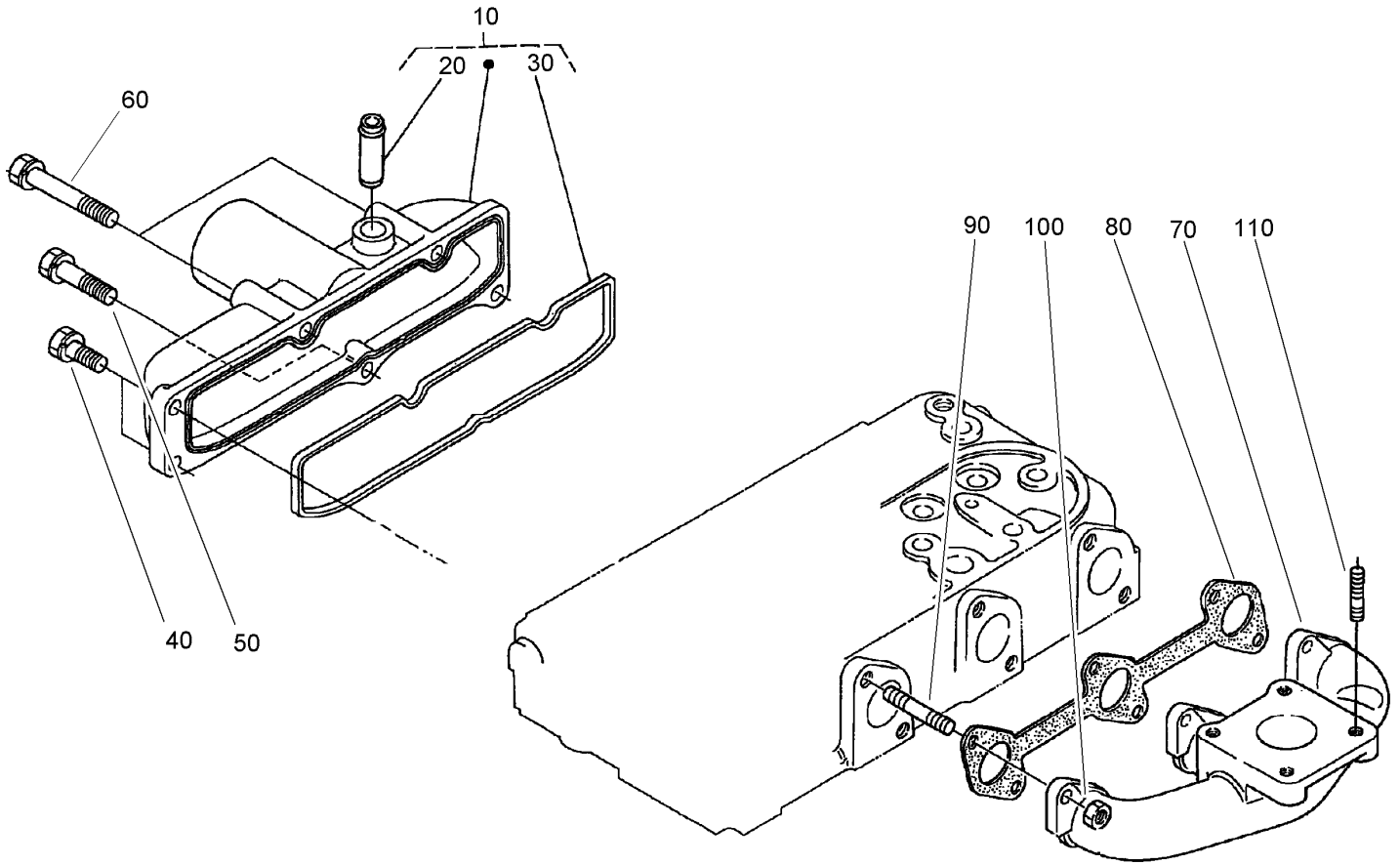
|  |  |  |  |
|--|--|--|--|
|  |  |  |  |
|  |  |  |  |
|  |  |  |  |
|  |  |  |  |
|  |  |  |  |
|  |  |  |  |
|  |  |  |  |
|  |  |  |  |
|  |  |  |  |
|  |  |  |  |



## Valve and Rocker Arm Assembly

| Ref | Part No. | Qty. | Description              |
|-----|----------|------|--------------------------|
| 10  | 98-9494  | 3    | Valve-Inlet              |
| 20  | 98-9495  | 3    | Valve-Exhaust            |
| 30  | 98-9648  | 6    | Spring-Valve             |
| 40  | 107-9092 | 6    | Retainer-Spring          |
| 50  | 98-9390  | 6    | Collet-Set, Valve Spring |
| 60  | 99-8385  | 6    | Seat-Stem, Valve         |
| 70  | 98-9497  | 6    | Cap-Valve                |
| 80  | 105-3790 | 1    | R-Arm Shaft ASM          |
| 90  | 100-9265 | 2    | Bolt                     |
| 100 | 98-9505  | 3    | Bracket-Arm, Rocker      |
| 110 | 105-3758 | 1    | Pin-Spring               |
| 120 | 98-9507  | 2    | Washer-Shaft, R-Arm      |
| 130 | 3256-1   | 2    | Washer-Flat              |
| 140 | 98-9504  | 2    | Spring-Arm, Rocker       |
| 160 | 98-9501  | 6    | Rocker Arm ASM           |
| 170 | 98-9502  | 6    | Screw-Adjusting          |
| 180 | 98-9503  | 6    | Nut                      |
| 190 | 98-9506  | 3    | Stud                     |
| 200 | 98-9393  | 3    | Nut                      |
| 210 | 98-9385  | 3    | Washer-Flat              |

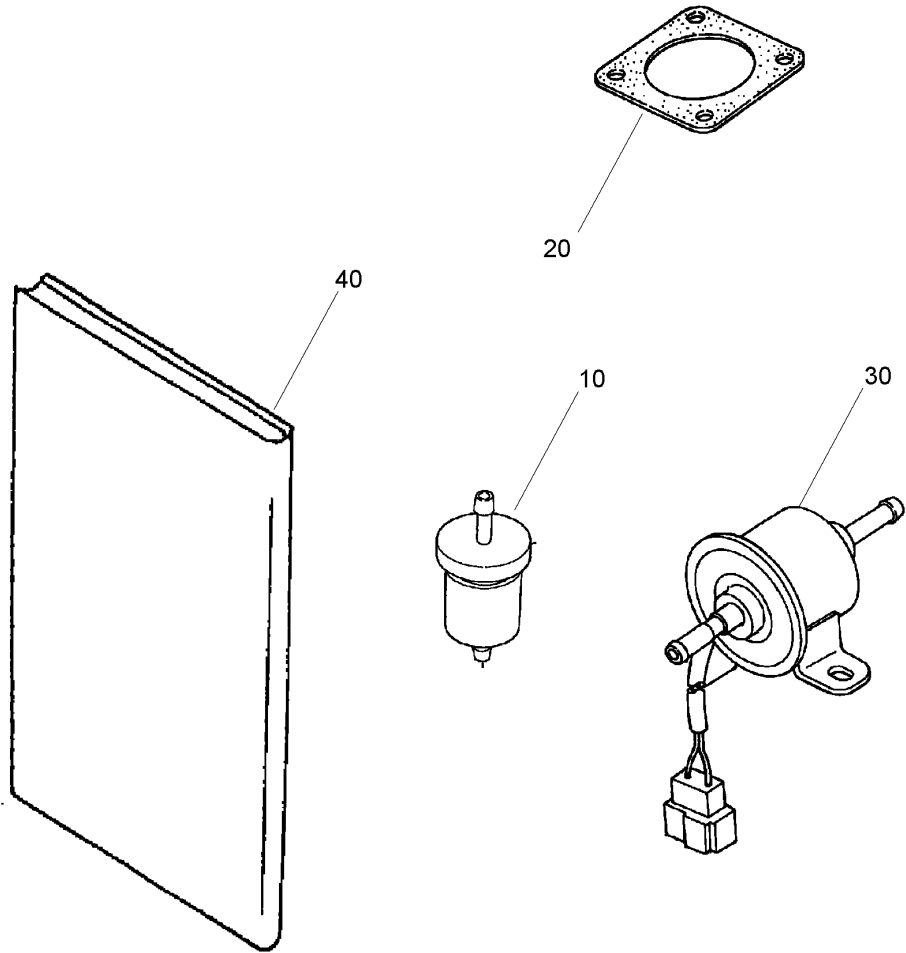
|  |  |  |  |
|--|--|--|--|
|  |  |  |  |
|--|--|--|--|



### Inlet Manifold Assembly

| Ref | Part No. | Qty. | Description          |
|-----|----------|------|----------------------|
| 10  | 108-6577 | 1    | Inlet Manifold ASM   |
| 20  | 98-9492  | 1    | Joint-Pipe, Breather |
| 30  | 98-9609  | 1    | Gasket               |
| 40  | 98-7605  | 3    | Bolt                 |
| 50  | 98-9353  | 1    | Bolt                 |
| 60  | 105-3797 | 2    | Bolt                 |
| 70  | 107-9093 | 1    | Manifold-Exhaust     |
| 80  | 98-9610  | 1    | Gasket               |
| 90  | 98-9588  | 6    | Stud                 |
| 100 | 98-9665  | 6    | Nut                  |
| 110 | 98-7769  | 4    | Stud                 |

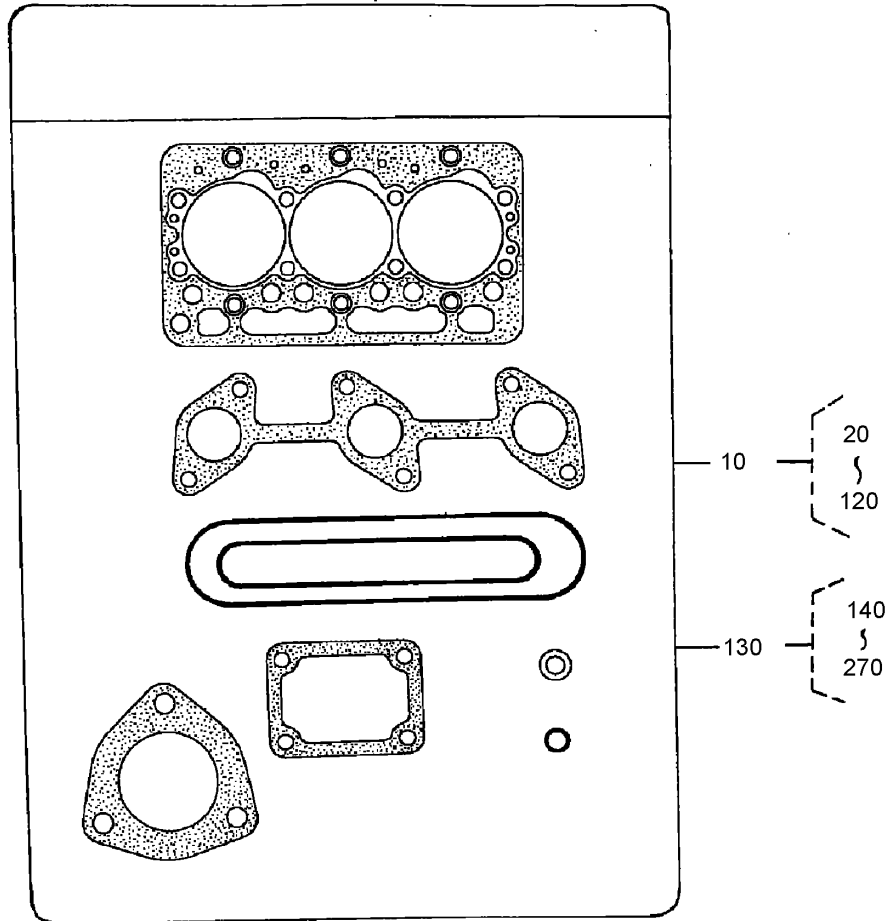
|  |  |  |  |
|--|--|--|--|
|  |  |  |  |
|--|--|--|--|



### Fuel Filter and Pump, Muffler Gasket and Operator Manual

| Ref | Part No. | Qty. | Description         |
|-----|----------|------|---------------------|
| 10  | 98-7612  | 1    | Filter-Fuel         |
| 20  | 99-8343  | 1    | Gasket-Muffler      |
| 30  | 107-0122 | 1    | Pump-Fuel, Electric |
| 40  | 99-8954  | 1    | Manual-Kubota       |

| Ref | Part No. | Qty. | Description |
|-----|----------|------|-------------|
|     |          |      |             |
|     |          |      |             |
|     |          |      |             |
|     |          |      |             |
|     |          |      |             |
|     |          |      |             |
|     |          |      |             |
|     |          |      |             |



### Gasket Kit Assembly

| Ref | Part No. | Qty. | Description      |
|-----|----------|------|------------------|
| 10  | 107-7848 | 1    | Upper Gasket Kit |
| 130 | 107-9095 | 1    | Lower Gasket Kit |

|  |  |  |  |
|--|--|--|--|
|  |  |  |  |
|--|--|--|--|

# Attachments and Accessories

## For 30631 - Groundsmaster 328-D 4-Wheel Drive

| Product Name                             | Model/Part |
|--|------------|
| Jack Pad Kit                             | 106-4386   |
| Tire Chains (23 x 8.50-12)               | 11-0390    |
| Wheel Weight Kit                         | 11-0440    |
| Tube-Inner (23 x 8.50-12)                | 231-90     |
| Rear Weight Kit                          | 24-5780    |
| Weight-Rear                              | 24-5790-01 |
| Standard Seat Kit                        | 30623      |
| Deluxe Seat Kit                          | 30625      |
| Seat Adapter Kit                         | 30628      |
| Cruise Control Kit                       | 30677      |
| Arm Rest Kit                             | 30707      |
| 72 Inch Rear Discharge Mower             | 30710      |
| Quick Attach Adapter Kit                 | 30711      |
| 72 Inch Guardian Recycler Mower          | 30716      |
| Mowers and Boom Quick Attach Adapter Kit | 30719      |
| 72 Inch Side Discharge Mower             | 30722      |
| Recycler Mower Quick Attach Adapter Kit  | 30729      |
| Rotary Broom                             | 30743      |
| 48 Inch V-Plow                           | 30750      |
| 48 Inch V-Plow Mounting Kit              | 30757      |
| 72 Inch Mower Mulching Kit               | 30799      |
| Debris Blower                            | 30855      |
| 4-Ply Wide Wheel and Tire ASM            | 62-7020    |
| Wheel And Tire ASM                       | 69-9870    |
| Spark Arrestor Screen                    | 75-6880    |
| Rear Tire Chains, 4 Wheel Drive          | 76-1840    |

# NOTES

