



Recycler[®] Conversion Kit

For Z597-D Z Master With a 62 or 72 Rear Discharge Mower

Model No. 110-5635

Model No. 110-5640

Installation Instructions

Note: Determine the left and right sides of the machine from the normal operating position.

Installation

Loose Parts

Use the chart below to verify that all parts have been shipped.

Step	Description	Qty.	Use
1	No parts required	–	Prepare the mower.
2	No parts required	–	Remove the existing baffles.
3	Left baffle Center baffle Right baffle Carriage bolt, (5/16 x 7/8 inch) Flange nut, (5/16 inch) Carriage bolt, (3/8 x 1 inch) (For 72 mowers only)	1 1 1 14 15 1	Install the baffles.

Step

1

Preparing the Mower

No Parts Required

Procedure

1. Thoroughly clean mower deck. All debris must be removed to ensure baffles will fit properly against mower deck.
2. Repair all bent or damaged areas of mower deck and replace any missing parts.

Step

2

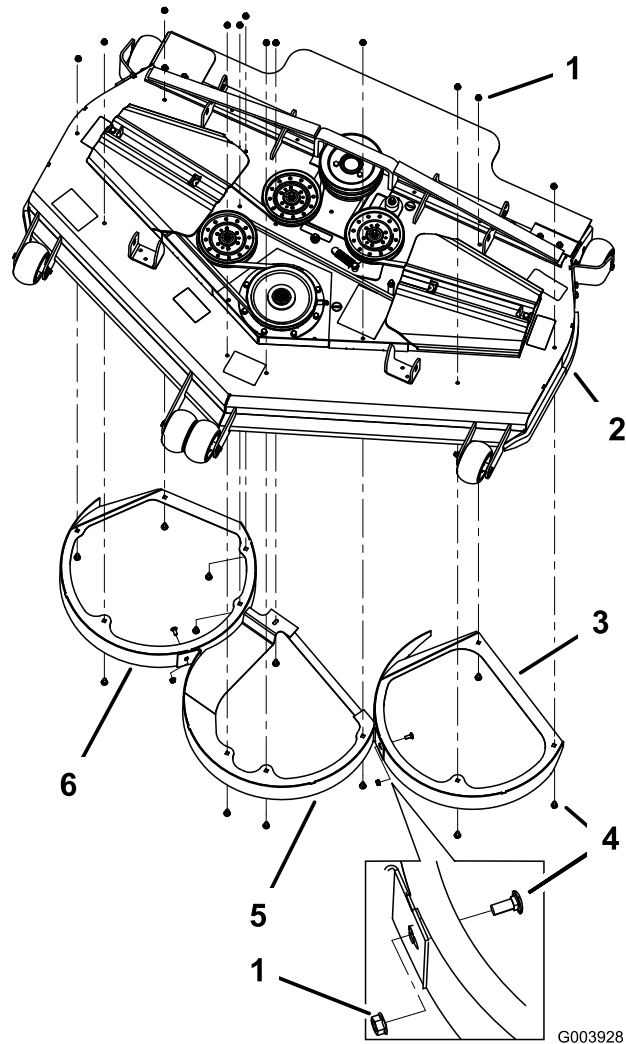
Removing the Existing Baffles

No Parts Required

Procedure

1. Remove the belt covers from the mower deck.
2. Remove the bolts holding the baffles together.
3. Remove the carriage bolts and flange nuts holding the baffles in place (Figure 1).

Note: Save the baffles and hardware for use when changing to side discharging mode.

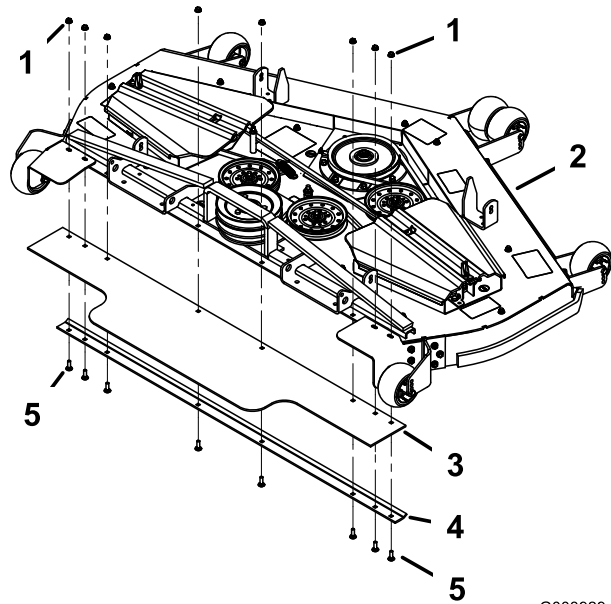


G003928

Figure 1

- | | | |
|---------------|----------------|------------------|
| 1. Flange Nut | 3. Left baffle | 5. Center baffle |
| 2. Mower deck | 4. Bolt | 6. Right baffle |

4. For 62 mower decks only, remove the rear discharge rubber deflector and stiffener (Figure 2). Save deflector and hardware for returning to discharge mode.



G003929

Figure 2

- | | | |
|---------------|------------------------------------|---------|
| 1. Flange Nut | 3. Rear discharge rubber deflector | 5. Bolt |
| 2. Mower deck | 4. Stiffener | |

Step
3

Installing the Baffles

Parts needed for this step:

1	Left baffle
1	Center baffle
1	Right baffle
14	Carriage bolt, (5/16 x 7/8 inch)
15	Flange nut, (5/16 inch)
1	Carriage bolt, (3/8 x 1 inch) (For 72 mowers only)

4. Loosely install the center baffle to the mower deck with 5 bolts (5/16 x 7/8 inch) and 5 flange nuts (5/16 inch) (Figure 3 and Figure 4).
5. Install the left baffle into the mower.
6. Loosely install the left baffle to the mower deck with 4 bolts (5/16 x 7/8 inch) and 4 flange nuts (5/16 inch) (Figure 3 and Figure 4).

Procedure

Note: All holes exist in the mower deck for installing the new baffles.

Note: Loosely install the baffles to align the baffles with all existing holes in the mower.

1. Install the right baffle into the mower.
2. Loosely install the right baffle to the mower deck with 5 bolts (5/16 x 7/8 inch) and 5 flange nuts (5/16 inch) (Figure 3 and Figure 4).
3. Install the center baffle into the mower.

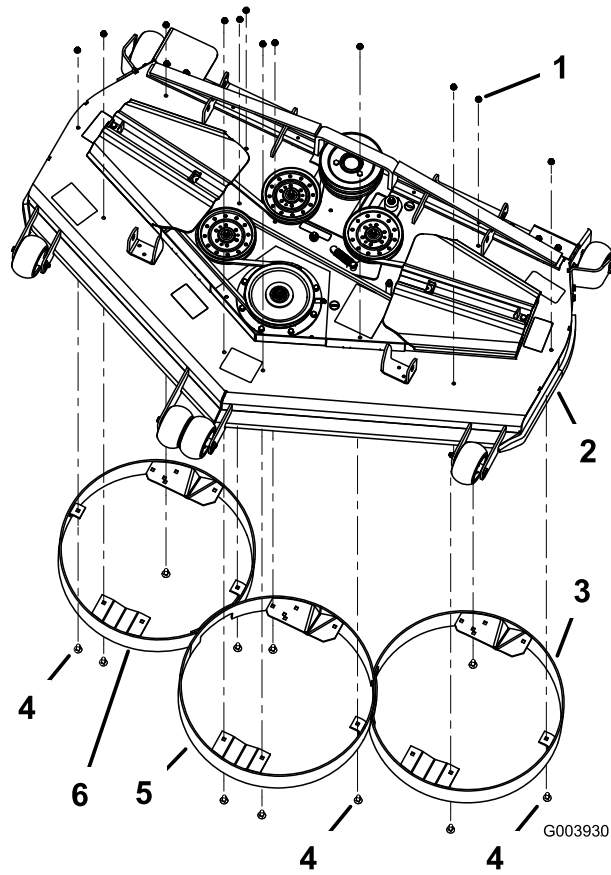


Figure 3
62 Mowers Only

- | | | |
|---------------------------|------------------------------------|------------------|
| 1. Flange nut (5/16 inch) | 3. Left baffle | 5. Center baffle |
| 2. Mower deck | 4. Carriage Bolt, (3/8 x 7/8 inch) | 6. Right baffle |

7. For 72 decks, loosely install the left baffle to the left rear of the mower deck with 1 bolt (5/16 x 1 inch) and 1 flange nut (5/16 inch) (Figure 4).

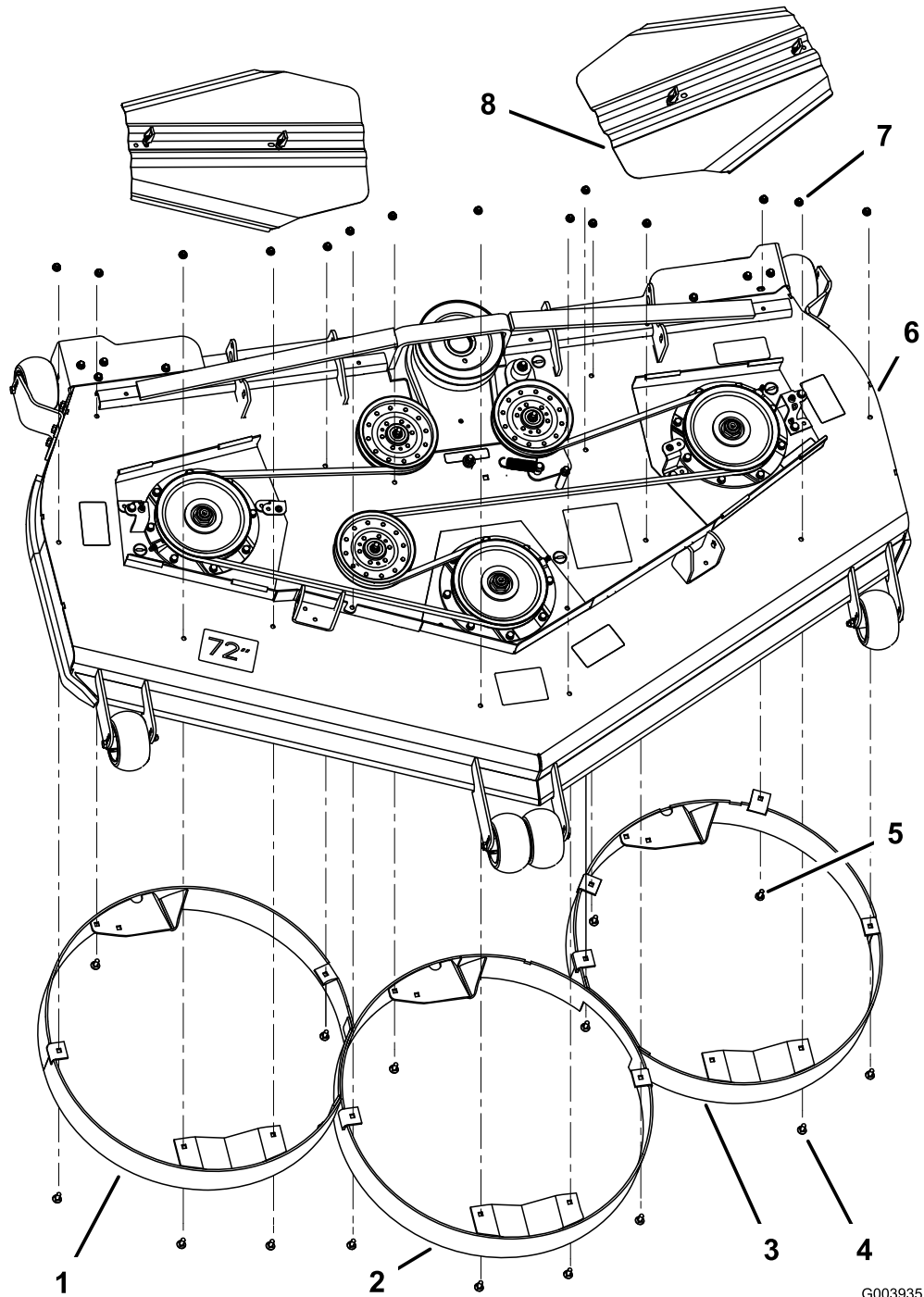


Figure 4
72 Mowers Only

- | | | | |
|------------------|-----------------------------------|----------------------------------|---------------------------|
| 1. Right baffle | 3. Left baffle | 5. Carriage Bolt (5/16 x 1 inch) | 7. Flange nut (5/16 inch) |
| 2. Center baffle | 4. Carriage Bolt (3/8 x 7/8 inch) | 6. Mower deck | 8. Belt cover |

8. Tighten all fasteners.
9. Rotate the blades to ensure there is clearance between the blade tips and baffles.
10. Install the belt covers.

Operation

If residue is allowed to build up in the mower housing, cutting performance will decrease.

Selecting the Proper Height-of-Cut

Remove approximately one inch or no more than $\frac{1}{3}$ of the grass blade when cutting. In exceptionally lush and dense grass you may need to raise the height-of-cut setting or convert to rear discharge.

Mowing in Extreme Conditions

Air is required to cut and recut grass clippings in the mower housing, so do not set the height-of-cut too low or totally surround the housing by uncut grass. Always try to have one side of the mower housing free from uncut grass, allowing air to be drawn into the housing. When making an initial cut through the center of an uncut area, operate the machine slower and back up if the mower starts to clog.

Mowing at Proper Intervals

Under most normal conditions you will need to mow every 4–5 days. However, grass grows at different rates at different times. Thus, in order to maintain the same height-of-cut, which is a good practice, you'll need to cut more frequently in early spring; as the grass growth rate slows in mid summer, cut only every 8–10 days. If you are unable to mow for an extended period due to weather conditions or other reasons, convert to rear discharge or mow first with the height-of-cut at a high level; then mow again 2–3 days later with a lower height setting.

Mowing with Sharp Blades

A sharp blade cuts cleanly and without tearing or shredding the grass. A dull blade will tear and shred the grass. Tearing and shredding causes the grass to turn brown at the edges which impairs growth and increases susceptibility to disease.

After Operating

To ensure optimum performance, clean the underside of the mower housing after each use.



Count on it.