



## 53cm Super Recycler<sup>®</sup> Lawnmower

Model No. 20792 - 260000001 and up.

### Parts Catalog

---

#### **Ordering Replacement Parts**

To order replacement parts, please supply the part number, the quantity, and the description of each part desired.

#### **Understanding Reference Numbers**

Each Identified part in an illustration has a reference number. The reference number for a part also appears in the parts list, along with other information about the part.

This catalog uses two special reference number formats, one to indicate parts in a service assembly and another to indicate the quantity of a given part in an illustration.

#### **Service Assembly Reference Numbers**

Parts in service assemblies have reference numbers in the form a:b. The a represents the reference number of the entire service assembly and the b represents a sequential number unique to each part within the service assembly.

For example, a wheel assembly might be identified by reference number 6, the tire by 6:1, the valve by 6:2, and the wheel by 6:3. When you order the assembly identified by reference number 6, you receive all parts identified by reference numbers 6:1, 6:2, and 6:3. However, you may also order any part individually. Reference numbers of this type appear in illustrations and in part lists.

#### **Reference Numbers Indicating Quantity**

In an illustration, if a reference number indicates more than one part, the reference number has the form nX y. The n represents the quantity of the part, the X is the multiplication symbol, and the y represents the reference number.

For example, in an illustration, the reference number 2X 37 means that two of the parts identified by reference number 37 are indicated.

# Contents

Description	Page	Description	Page
Housing Assembly	..... 3	Carburetor Assembly Briggs and Stratton 125K02-0193-E1	..... 14
Housing Assembly No. 108-8115	..... 4	Air Cleaner Assembly Briggs and Stratton 125K02-0193-E1	..... 15
Height-of-Cut and Front Wheel Assembly	..... 5	Governor Assembly Briggs and Stratton 125K02-0193-E1	..... 16
Rear Wheel and Gear Case Assembly	..... 6	Muffler and Fuel Tank Assembly Briggs and Stratton 125K02-0193-E1	..... 17
Gear Case Assembly No. 108-8140	..... 7	Blower Housing Assembly Briggs and Stratton 125K02-0193-E1	..... 18
Engine Assembly	..... 8	Starter Assembly Briggs and Stratton 125K02- 0193-E1	..... 19
Handle Assembly	..... 9	358 Gasket Set Assembly Briggs and Stratton 125K02-0193-E1	..... 20
Rear Bag Assembly	..... 10	121 Carburetor Overhaul Kit and 977 Carburetor Gasket Set Assemblies Briggs and Stratton 125K02-0193-E1	..... 21
Cylinder Assembly Briggs and Stratton 125K02-0193-E1	..... 11	Attachments and Accessories List	..... 22
Crankshaft Assembly Briggs and Stratton 125K02-0193-E1	..... 12		
Crankcase Assembly Briggs and Stratton 125K02-0193-E1	..... 13		

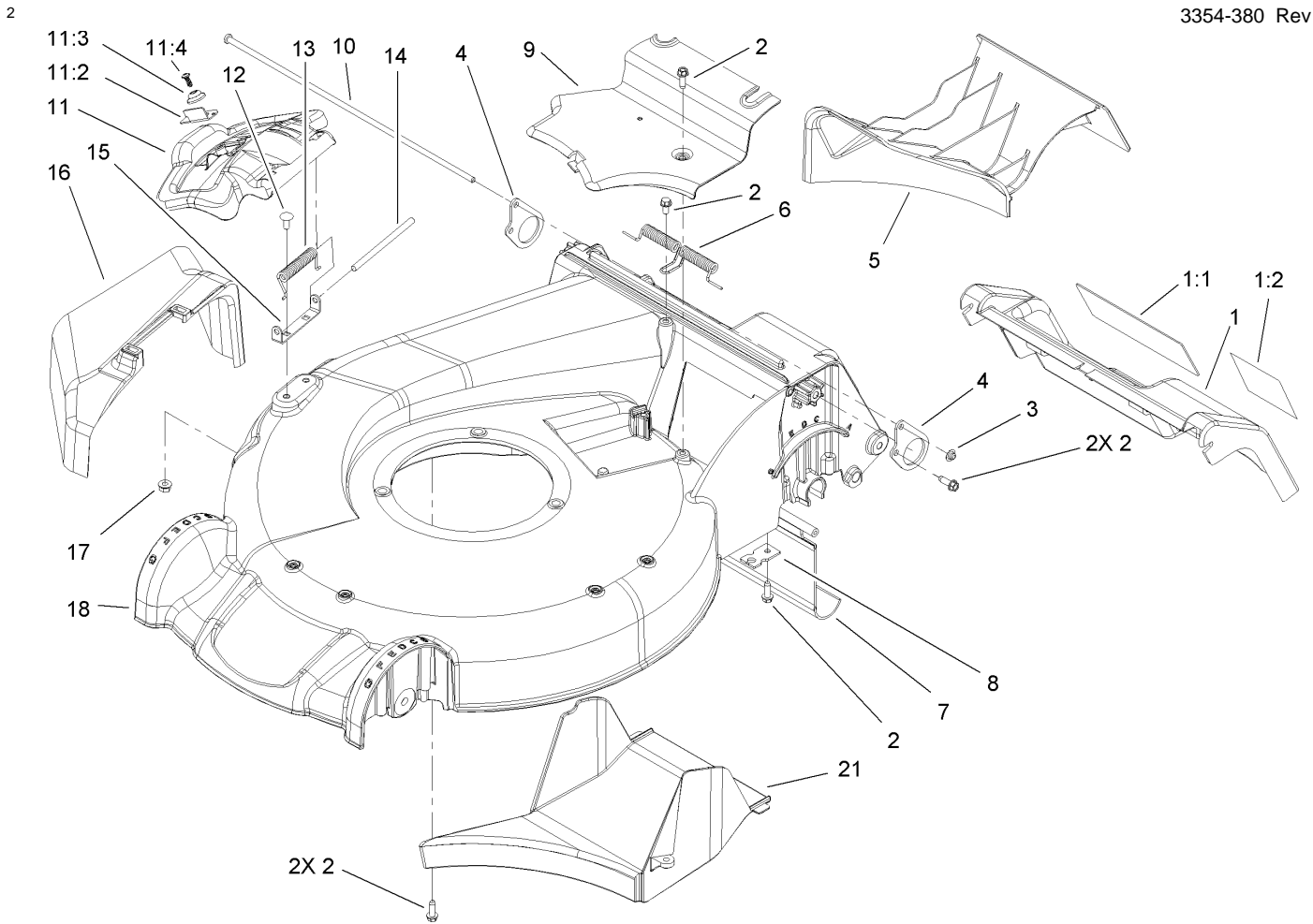
## Part Description Abbreviations

Part descriptions in this catalog may include the following abbreviations.

AR.....as required	INC..... incorporated
ASM..... assembly	LH..... left hand
BBC..... blade brake clutch	NI..... nylon insert
CARR..... carriage	NPTF..... national pipe thread fine
DEG..... degrees	PFH..... phillips flat head
EXT..... external	PPH..... phillips pan head
FH..... flat head	PPHTF..... phillips pan head thread forming
GA..... gauge	PRH..... phillips round head
HF..... hex flange	PTH..... phillips truss head
HH..... hex head	PTO..... power-take-off
HHF..... hex head flange	RH..... right hand
HHFTF..... hex head flange thread forming	ROPS..... roll-over-protection-system
HJ..... hex jam	SFH..... slotted fillister head
HLH..... hex lag head	SHH..... slotted hex head
HOC..... height-of-cut	SHWH..... slotted hex washer head
HSBH..... hex socket button head	SPH..... slotted pan head
HSFH..... hex socket flat head	SQH..... square head
HSH..... hex socket head	SRH..... slotted round head
HWH..... hex washer head	STD..... standard
HWHTF..... hex washer head thread forming	TAP..... self tapping
HYD..... hydraulic	TTH..... torx truss head

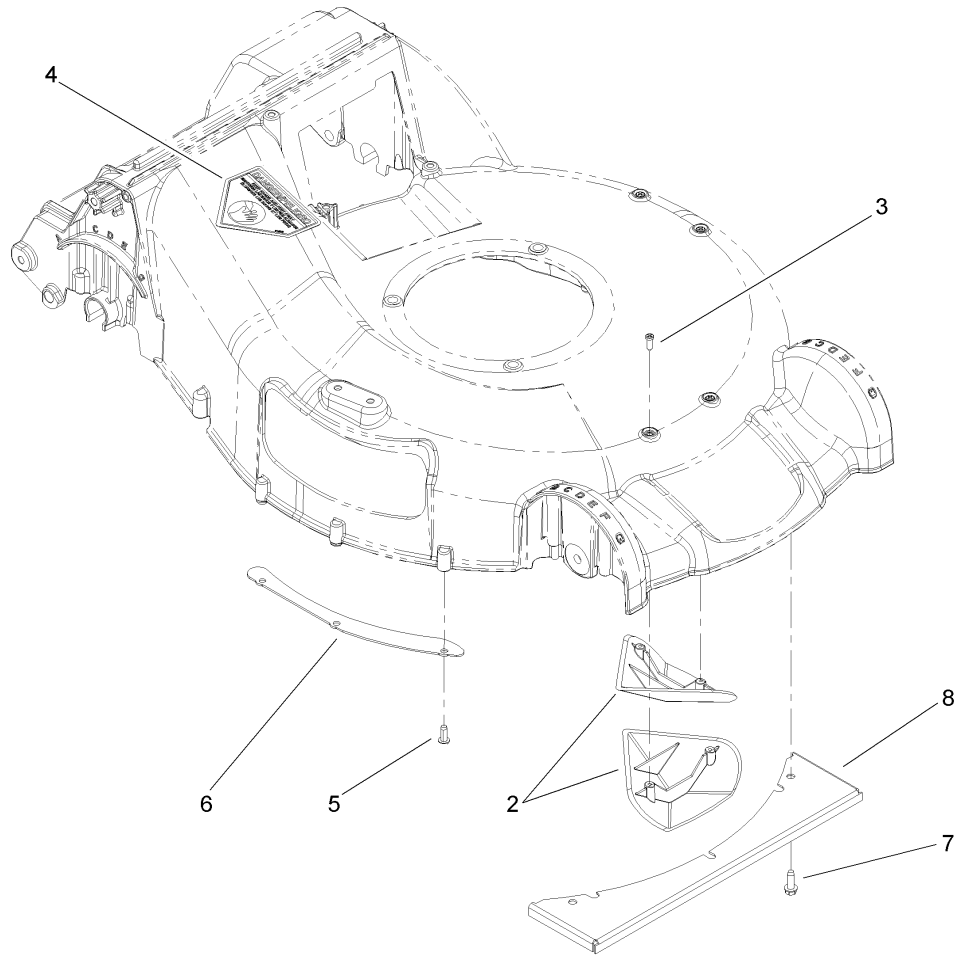
## Footnotes

- |   |  |
|---|--|
| ❶ Not illustrated                                 | ❷ Not serviced separately                            |
| ❸ Obtain from your local Briggs & Stratton dealer | ❹ Included in Carburetor Overhaul Kit (Ref. No. 121) |
| ❺ Included in Engine Gasket Set (Ref. No. 358)    | ❻ Included in Carburetor Gasket Set (Ref. No. 977)   |



## Housing Assembly

Ref	Part No.	Qty.	Description
1	108-8170	1	Door-Service
1:1	104-7909	1	Decal-Warning
1:2	104-7908	1	Decal-Warning
2	49-2040	7	Screw-HWHTF
3	3290-337	1	Nut-Speed
4	107-7493	2	Plate-Support, Door
5	107-7490	1	Plug-Mulch
6	105-3032	1	Spring-Door, Rear
7	107-7496	1	Shield-Trailing
8	107-7497	1	Bracket-Cable, Traction
9	107-7494	1	Cover-Belt
10	107-7499	1	Rod-Support, Door
11	107-3717	1	Discharge Door ASM
11:2	107-0795	1	Latch-Door
11:3	107-7456	1	Cap-Door
11:4	107-7461	1	Screw-Plastite
12	3229-11	2	Screw-CARR
13	99-5293	1	Spring-Torsion
14	99-5291	1	Rod-Cover
15	99-5292	1	Bracket-Cover
16	108-3753	1	Chute-Discharge, Side
17	32128-32	2	Nut-HHF
18	108-8115	1	Housing ASM
21	107-7495	1	Tunnel-Discharge

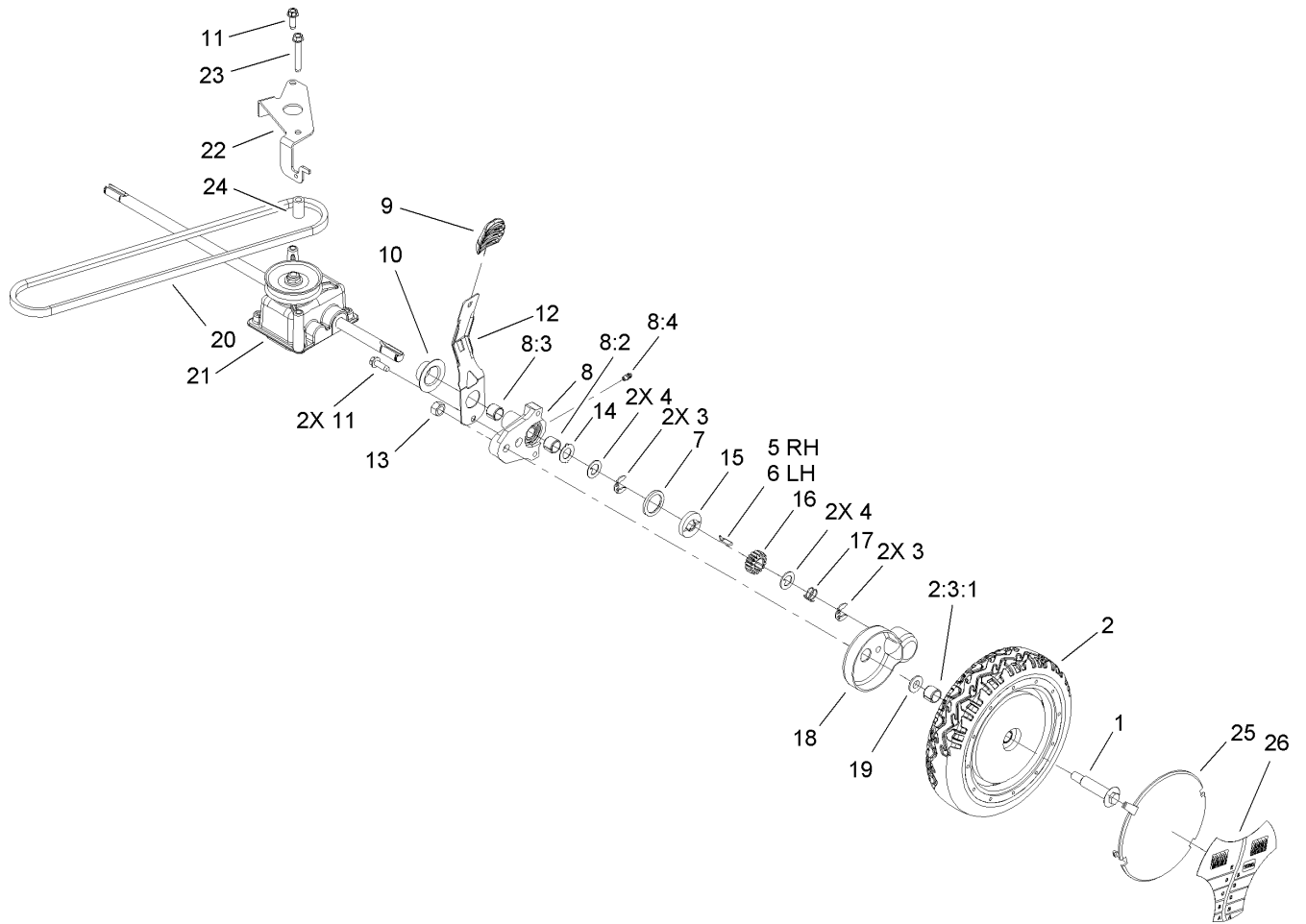



### Housing Assembly No. 108-8115

Ref	Part No.	Qty.	Description
2	108-3798	2	Kicker-Housing
3	32144-111	4	Screw-PPH
4	94-8072	1	Decal-Danger
5	63-8590	3	Screw
6	105-1316-03	1	Sheet-Lip
7	49-2040	3	Screw-HWHTF
8	108-3797-03	1	Plate-Cover, Front

--	--	--	--



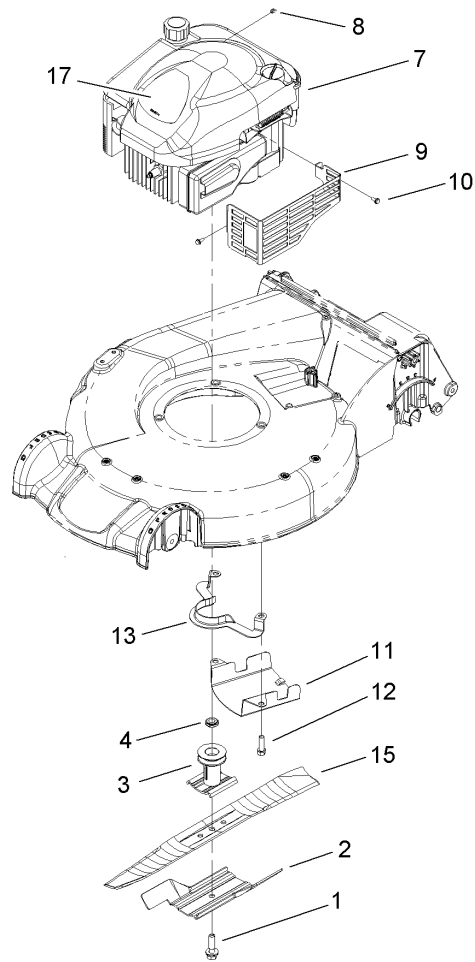


## Rear Wheel and Gear Case Assembly

Ref	Part No.	Qty.	Description
1	92-1057	2	Bolt-Shoulder
2	107-3707	2	Wheel Gear ASM
1 2 3		1	8 Inch Wheel ASM
2:3:1	27-6250	2	Bushing
3	65-2720	4	Klipring-Locking
4	65-4740	4	Washer-Thrust, Keyed
5	66-6040	1	Key-Rocking, RH
6	66-6050	1	Key-Rocking, LH
7	65-4710	2	Ring-Friction
8	100-8774	2	Pivot Arm ASM
8:2	47-2900	1	Bushing
8:3	70-9760	1	Bushing
8:4	302-56	1	Fitting-Grease
9	105-3042	2	Knob-Lever, HOC
10	42-3520	2	Cap-End
11	49-2040	3	Screw-HWHTF
12	107-7491	2	Spring Arm
13	603773	2	Nut
14	65-4730	2	Washer-Arm, Pivot
15	65-4760	2	Washer-Clutch
16	65-4750	2	Gear-Pinion
17	65-4720	2	Spring-Compression
18	74-1660	2	Cover-Wheel
19	74-1671	2	Spacer-Cover, Wheel

Ref	Part No.	Qty.	Description
20	99-1597	1	V-Belt
21	108-8140	1	Gear Case ASM
22	107-7483-03	1	Bracket-Gearbox
23	92-1616	1	Screw-HWHTF
24	614673	1	Bushing-Plate, Actuator
25	100-6351	1	Cover-Wheel
26	100-1519	1	Label-Wheel, Smart

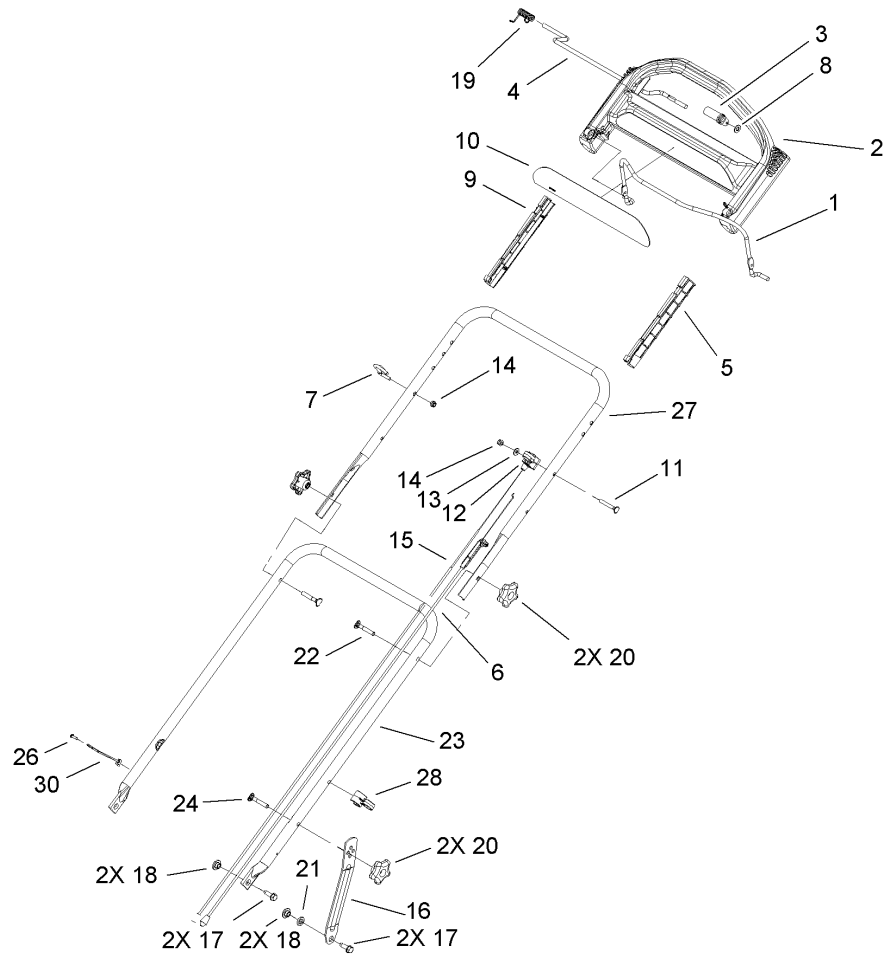




## Engine Assembly

Ref	Part No.	Qty.	Description				
1	105-8579	1	Bolt-Blade				
2	105-6848-03	1	Accelerator-Blade				
3	106-3987	1	Blade Driver ASM				
4	106-3999	1	Spacer-Driver				
2 27		1	Engine-Briggs And Stratton, 125K02-0193-E1				
8	2210-316	1	Stop-Rope				
9	104-7577-03	1	Shield-Muffler				
10	32144-1	3	Screw-Taptite				
11	107-7489-03	1	Shield-Grass				
12	95-1727	3	Screw-Taptite				
13	108-8110-03	1	Guide-Belt				
15	108-3762-03	1	Blade-Recycling				
17	110-7486	1	Decal-Recoil				

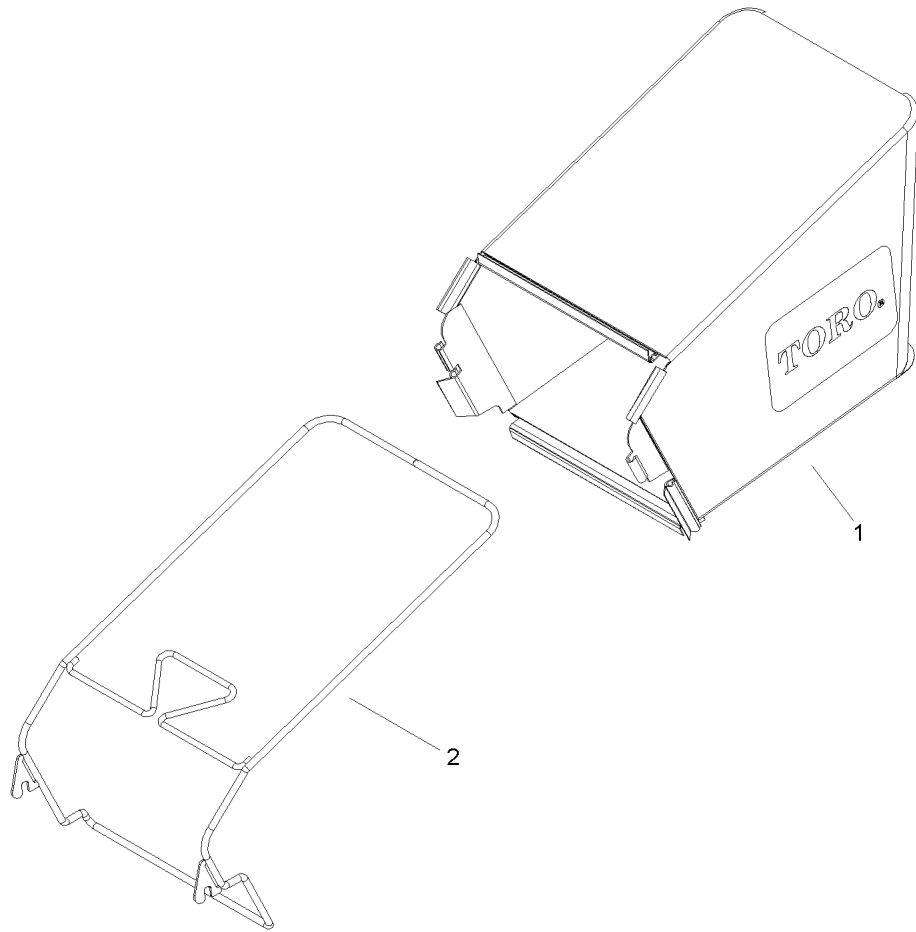




## Handle Assembly

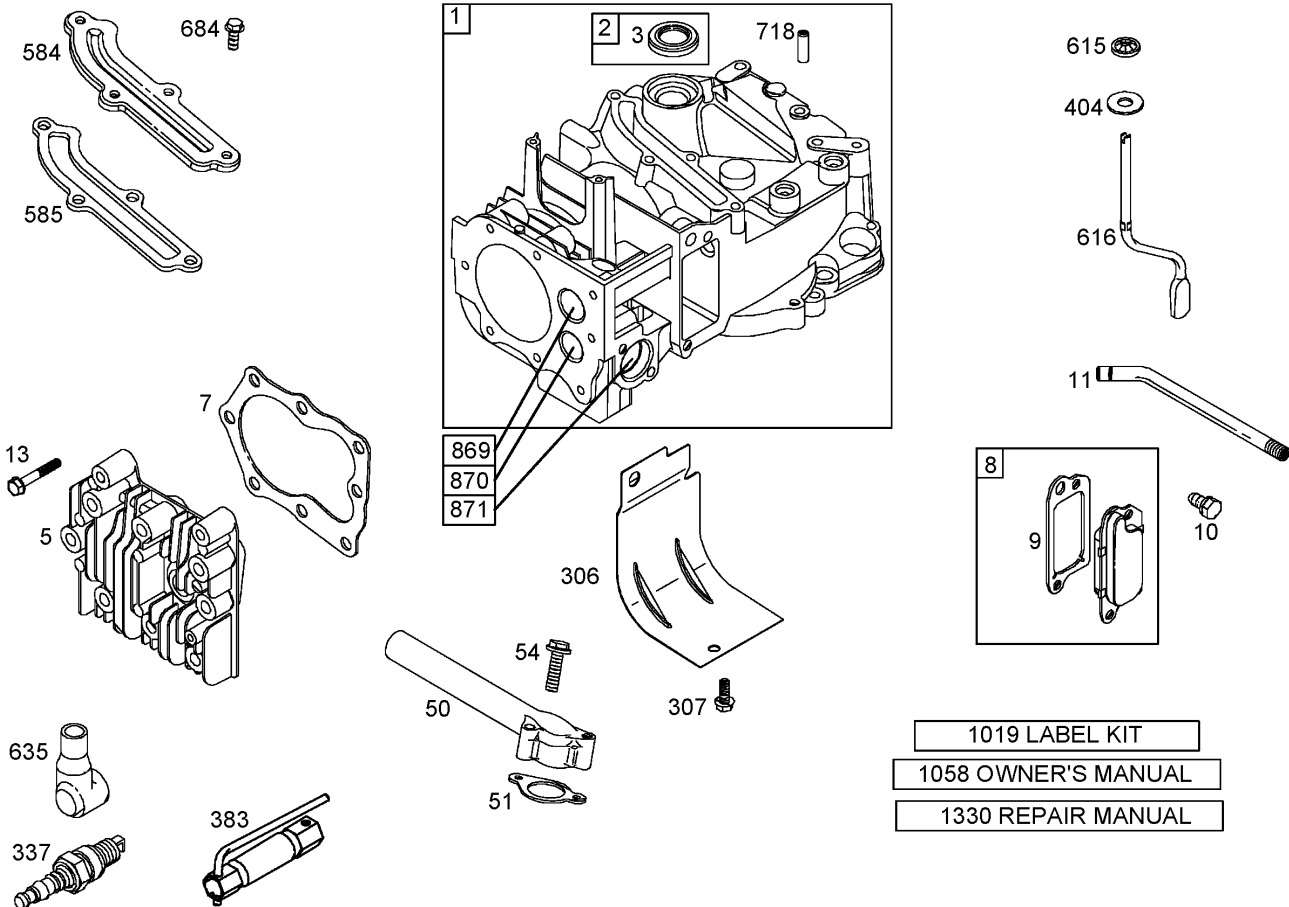
Ref	Part No.	Qty.	Description
1	104-8679-03	1	Bail-Brake
2	104-8678	1	Handle-Control
3	99-1589	1	Lever-Traction
4	99-1588	1	Bar-Control, Traction
5	105-6842	1	Guide-LH
6	108-8157	1	Cable-Brake
7	86-9671	1	Guide-Rope
8	3256-23	1	Washer-Flat
9	105-6841	1	Guide-RH
10	108-8136	1	Decal-Handle
11	95-4453	1	Screw
12	99-5239	1	Anchor-Cable
13	3256-1	1	Washer-Flat
14	3296-73	2	Nut-Lock, NI
15	108-8158	1	Cable-Traction
16	108-8145-03	2	Support-Handle
17	701243	4	Screw-HWHTF
18	27-6600	4	Spacer-Coupling
19	104-8690	1	Spring-Torsion
20	108-8162	4	Knob-Locking
21	55-9670	2	Washer
22	92-2260	2	Screw-Handle
23	107-7476-05	1	Handle-Lower
24	92-2260	2	Screw-Handle

Ref	Part No.	Qty.	Description
26	32144-53	1	Screw-SHWH
27	107-3783-05	1	Handle-Upper
28	106-6805	1	Guide-Cable
30	108-9452	1	Hook-Rope, Displacement



### Rear Bag Assembly

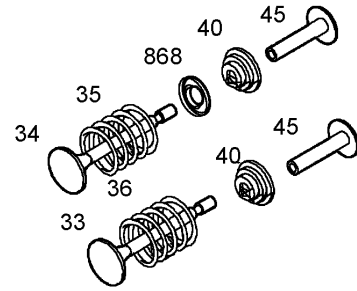
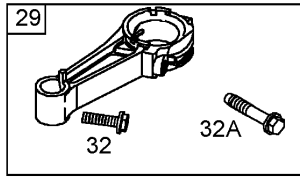
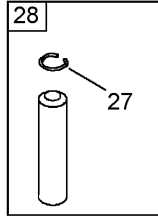
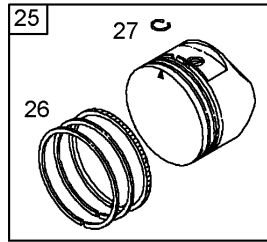
Ref	Part No.	Qty.	Description
1	107-3789	1	Grass Bag ASM
2	107-3785-03	1	Bag Frame ASM



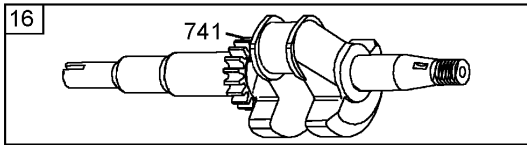
## Cylinder Assembly Briggs and Stratton 125K02-0193-E1

Ref	Part No.	Qty.	Description
1	697322	1	Cylinder ASM
2	399269	1	Bushing/Seal Kit
3	299819	1	Seal-Oil
5	691160	1	Head-Cylinder
7	692249	1	Gasket-Head, Cylinder
8	695250	1	Breather ASM
9	699472	1	Gasket-Breather
10	691125	1	Screw
11	691781	1	Tube-Breather
13	690912	1	Screw
50	497465	1	Manifold-Intake
51	272199	1	Gasket-Intake
54	691650	1	Screw
306	690450	1	Shield-Cylinder
307	690345	1	Screw
337	802592	1	Plug-Spark
383	89838	1	Wrench-Plug, Spark
404	690272	1	Washer
584	697734	1	Cover-Passage, Breather
585	691879	1	Gasket-Passage, Breather
615	690340	1	Retainer-Shaft, Governor
616	698801	1	Crank-Governor
635	66538	1	Boot-Plug, Spark
684	690345	1	Screw

Ref	Part No.	Qty.	Description
718	690959	1	Pin-Locating
869	691155	1	Seat-Valve (Intake)
870	690380	1	Seat-Valve (Exhaust)
871	262001	1	Bushing-Guide (Exhaust)
871	63709	1	Bushing-Guide (Intake)
1019	494256	1	Label Kit
1058	275177	1	Manual-Owner's
1330	270962	1	Manual-Repair



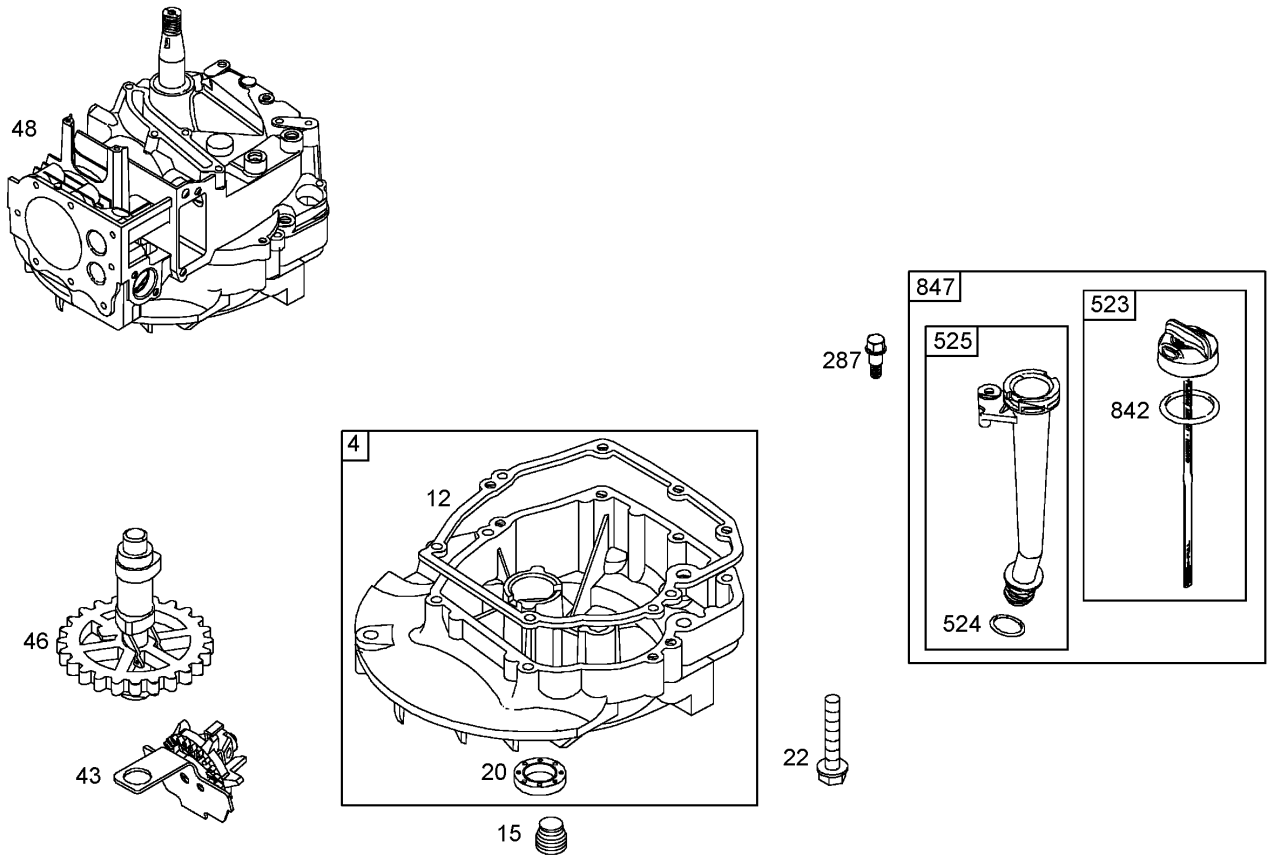
24



## Crankshaft Assembly Briggs and Stratton 125K02-0193-E1

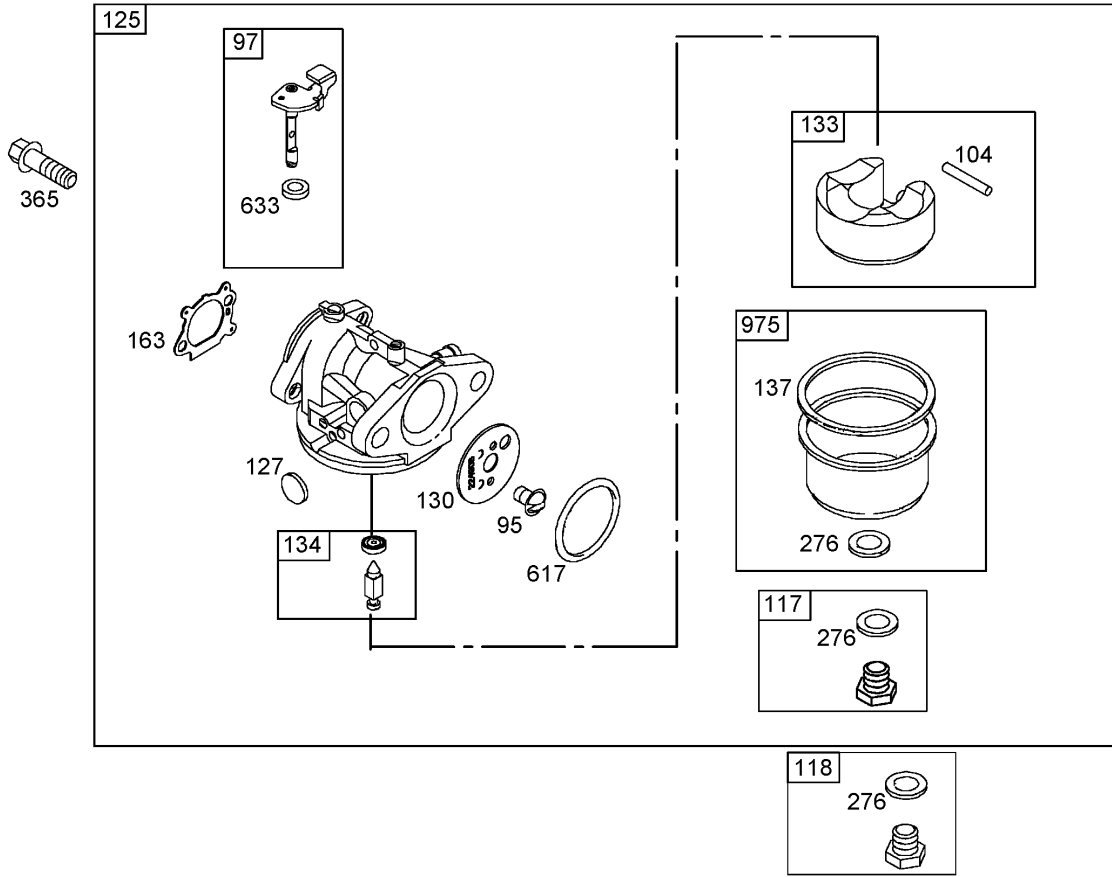
Ref	Part No.	Qty.	Description
16	696009	1	Crankshaft
24	222698	1	Key
25	790359	1	Piston ASM (Standard)
25	791326	1	Piston ASM (.020 Oversize)
26	790360	1	Ring Set (Standard)
26	791324	1	Ring Set (.020 Oversize)
27	691866	1	Lock-Pin, Piston
28	499423	1	Pin-Piston (Standard)
28	298908	1	Pin-Piston (.005 Undersize)
29	499424	1	Rod-Connecting (Standard)
32	691664	1	Screw
32A	695759	1	Screw
33	262651	1	Valve-Exhaust
34	262652	1	Valve-Intake
35	691270	1	Spring-Valve
36	691270	1	Spring-Valve
40	692194	1	Retainer-Valve
45	690548	1	Tappet-Valve
741	790345	1	Gear-Timing
868	697338	1	Seal-Valve

--	--	--	--



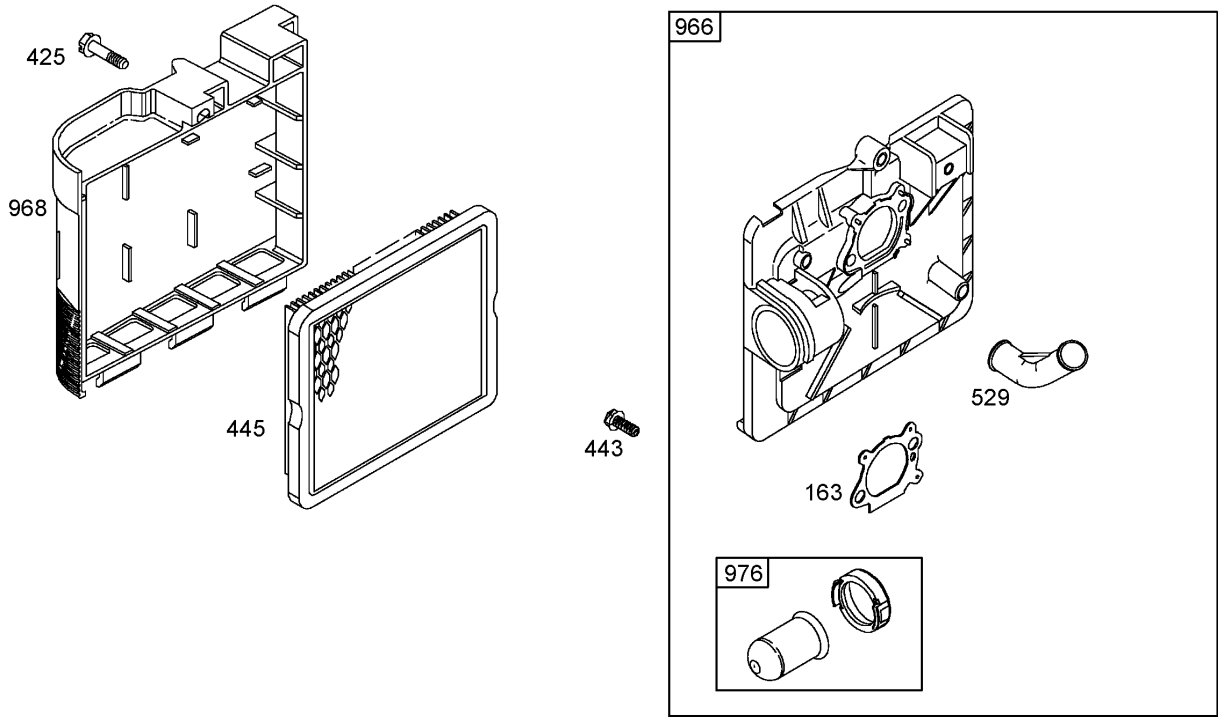
## Crankcase Assembly Briggs and Stratton 125K02-0193-E1

Ref	Part No.	Qty.	Description
4	493279	1	Sump-Engine
12	692232	1	Gasket-Crankcase (.015 Thick, Standard)
15	691680	1	Plug-Drain, Oil
20	399781	1	Seal-Oil
22	691092	1	Screw (Engine Sump)
43	691997	1	Slinger-Governor/Oil
46	691449	1	Camshaft
48	696276	1	Short Block
287	690940	1	Screw (Dipstick Tube)
523	499621	1	Dipstick
524	692296	1	Seal-O Ring
525	495265	1	Tube-Dipstick
842	691031	1	Seal-O Ring
847	692047	1	Dipstick/Tube ASM



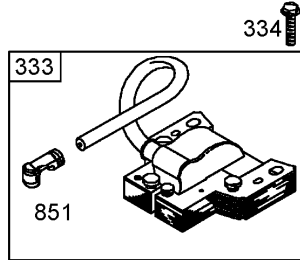
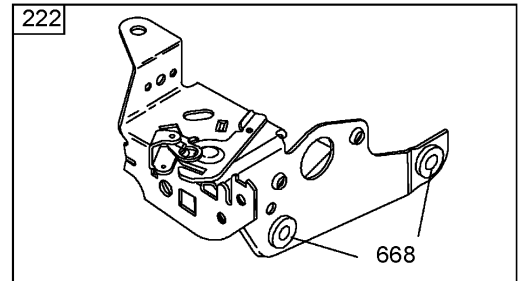
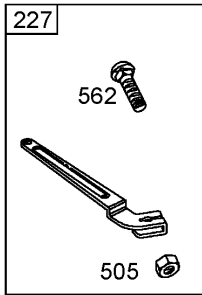
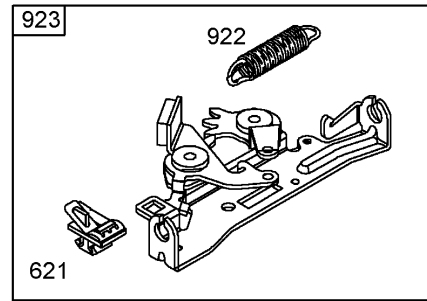
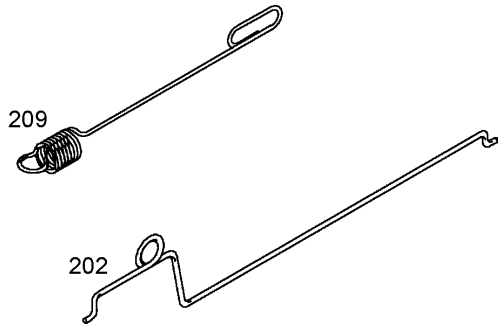
## Carburetor Assembly Briggs and Stratton 125K02-0193-E1

Ref	Part No.	Qty.	Description
③95	691636	1	Screw
③97	696565	1	Shaft-Throttle
③④104	691242	1	Pin-Hinge, Float
③117	498978	1	Jet-Main (Standard)
③118	497466	1	Main Jet (High Altitude)
③125	498170	1	Carburetor
③④127	694468	1	Plug-Welch
③130	696564	1	Valve-Throttle
③133	398187	1	Float-Carburetor
③④134	398188	1	Needle/Seat Kit
③④137	693981	1	Gasket-Bowl, Float
⑤			
③④163	272653	1	Gasket-Cleaner, Air
⑤⑥			
③④276	271716	1	Washer-Sealing
⑤			
③365	692524	1	Screw (Carburetor)
③④617	270344	1	Seal-O Ring
⑤			
③④633	691321	1	Seal-Shaft, Choke/Throttle
⑤			
③975	493640	1	Bowl-Float

## Air Cleaner Assembly Briggs and Stratton 125K02-0193-E1

Ref	Part No.	Qty.	Description
③ ④ 163	272653	1	Gasket-Cleaner, Air
③ ⑥			
③ 425	690670	1	Screw
③ 443	692523	1	Screw (Air Cleaner Primer Base)
③ 445	491588	1	Filter-Cartridge, Air Cleaner
③ 529	691923	1	Grommet
③ 966	496116	1	Base-Primer, Air Cleaner
③ 968	692298	1	Cover-Cleaner, Air
③ 976	694395	1	Primer-Carburetor

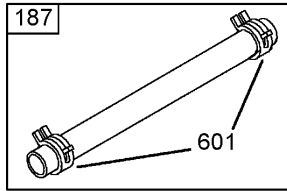
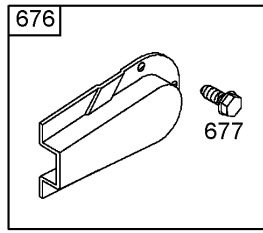
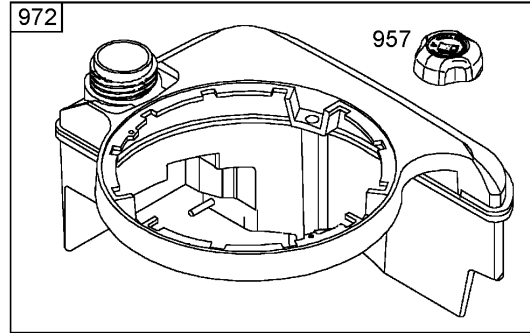
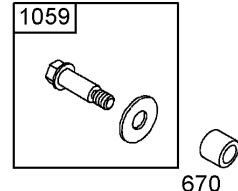
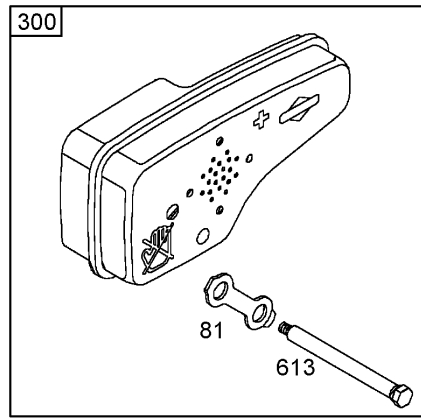



## Governor Assembly Briggs and Stratton 125K02-0193-E1

Ref	Part No.	Qty.	Description
● 188	693399	1	Screw
● 202	691829	1	Link-Governor, Mechanical
● 209	691852	1	Spring-Governor
● 222	791128	1	Bracket-Control
● 227	690783	1	Lever-Control, Governor
● 333	802574	1	Armature-Magneto
● 334	691061	1	Screw
● 356	692390	1	Wire-Stop
● 505	691251	1	Nut
● 562	691119	1	Screw
● 621	692310	1	Switch-Stop
● 668	493823	1	Spacer
● 745	691648	1	Screw
● 851	493880	1	Terminal-Spark Plug
● 922	691831	1	Spring-Brake
● 923	691994	1	Brake ASM

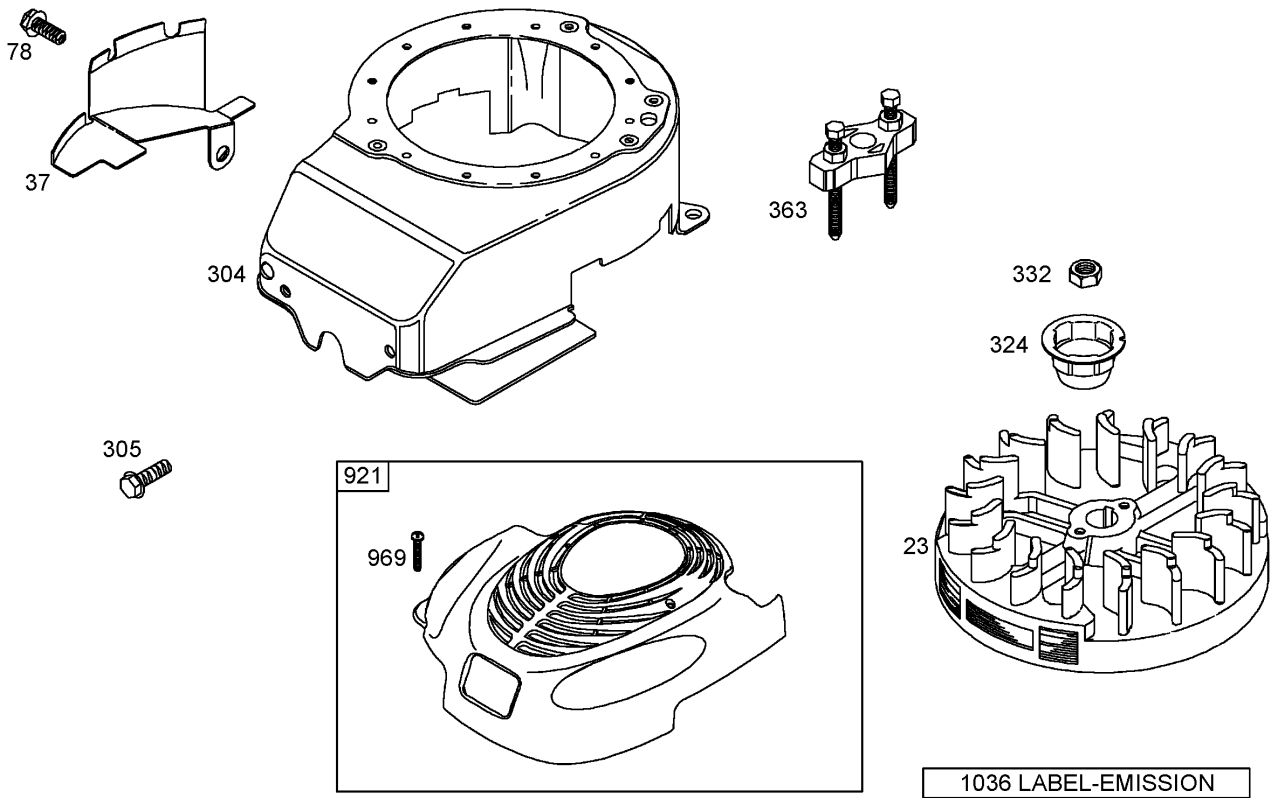
--	--	--	--





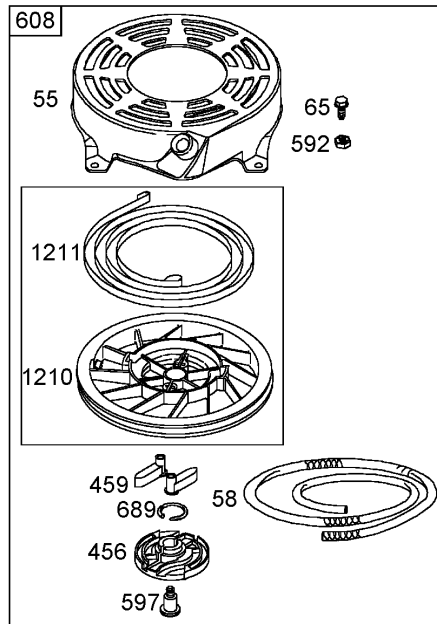
## Muffler and Fuel Tank Assembly Briggs and Stratton 125K02-0193-E1

Ref	Part No.	Qty.	Description
③81	691740	1	Lock-Screw, Muffler
③187	691050	1	Line-Fuel (Cut To Required Length)
③190	690940	1	Screw (Fuel Tank)
③300	692038	1	Muffler
③601	95162	1	Clamp-Hose
③613	691340	1	Screw
③670	692294	1	Spacer-Tank, Fuel
③676	493871	1	Deflector-Muffler
③677	690661	1	Screw
③957	692046	1	Cap-Tank, Fuel
③972	699374	1	Tank-Fuel
③1059	692311	1	Screw/Washer Kit



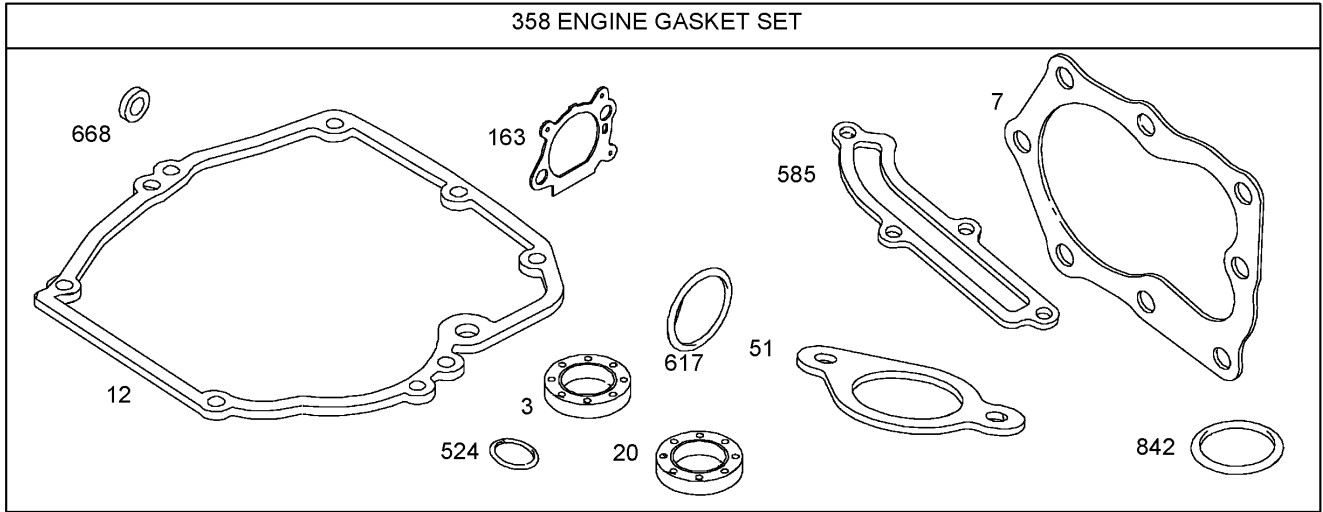
## Blower Housing Assembly Briggs and Stratton 125K02-0193-E1

Ref	Part No.	Qty.	Description				
● 23	692315	1	Flywheel				
● 37	694086	1	Guard-Flywheel				
● 78	691108	1	Screw				
● 304	493293	1	Housing-Blower				
● 305	691108	1	Screw (Blower Housing)				
● 324	695161	1	Cup/Screen ASM				
● 332	690662	1	Nut				
● 363	19069	1	Puller-Flywheel				
● 921	790036	1	Cover-Housing, Blower				
● 969	691138	1	Screw				
● 1036	790411	1	Label-Emission				



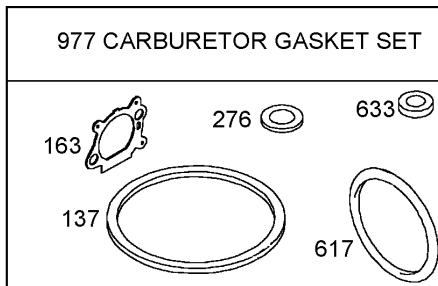
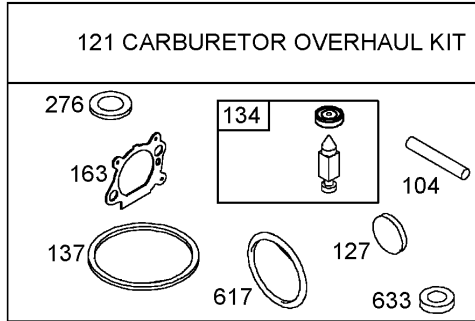
## Starter Assembly Briggs and Stratton 125K02-0193-E1

Ref	Part No.	Qty.	Description				
55	691421	1	Housing-Starter, Rewind				
58	791362	1	Rope-Starter (Cut To Required Length)				
65	690837	1	Screw				
456	692299	1	Plate-Friction, Pawl				
459	281505	1	Ratchet-Pawl				
592	690800	1	Nut				
597	691696	1	Screw				
608	791363	1	Starter-Rewind				
689	691855	1	Spring-Friction				
1210	498144	1	Pulley/Spring ASM (Pulley)				
1211	498144	1	Pulley/Spring ASM (Spring)				



### 358 Gasket Set Assembly Briggs and Stratton 125K02-0193-E1

Ref	Part No.	Qty.	Description
3	299819	1	Seal-Oil (Magneto Side)
7	692249	1	Gasket-Head, Cylinder
12	692232	1	Gasket-Crankcase (.015 Thick, Standard)
20	399781	1	Seal-Oil (PTO Side)
51	272199	1	Gasket-Intake
4 163	272653	1	Gasket-Cleaner, Air
6			
358	497316	1	Engine Gasket Set
524	692296	1	Seal-O Ring (Dipstick Tube)
585	691879	1	Gasket-Passage, Breather
4 617	270344	1	Seal-O Ring (Intake Manifold)
6			
668	493823	1	Spacer
842	691031	1	Seal-O Ring (Dipstick)

## 121 Carburetor Overhaul Kit and 977 Carburetor Gasket Set Assemblies Briggs and Stratton 125K02-0193-E1

Ref	Part No.	Qty.	Description				
③104	691242	1	Pin-Hinge, Float				
③121	498260	1	Carburetor Overhaul Kit				
③127	694468	1	Plug-Welch				
③134	398188	1	Needle/Seat Kit				
③137	693981	1	Gasket-Bowl, Float				
③③163	272653	1	Gasket-Cleaner, Air				
③276	271716	1	Washer-Sealing				
③③617	270344	1	Seal-O Ring (Intake Manifold)				
③633	691321	1	Seal (Choke/Throttle Shaft)				
③977	498261	1	Carburetor Gasket Set				

# Attachments and Accessories

For 20792 - 53cm Super Recycler Lawnmower

Product Name

Model/Part

Traction Assist Handle Kit ..... 108-8120

# NOTES

