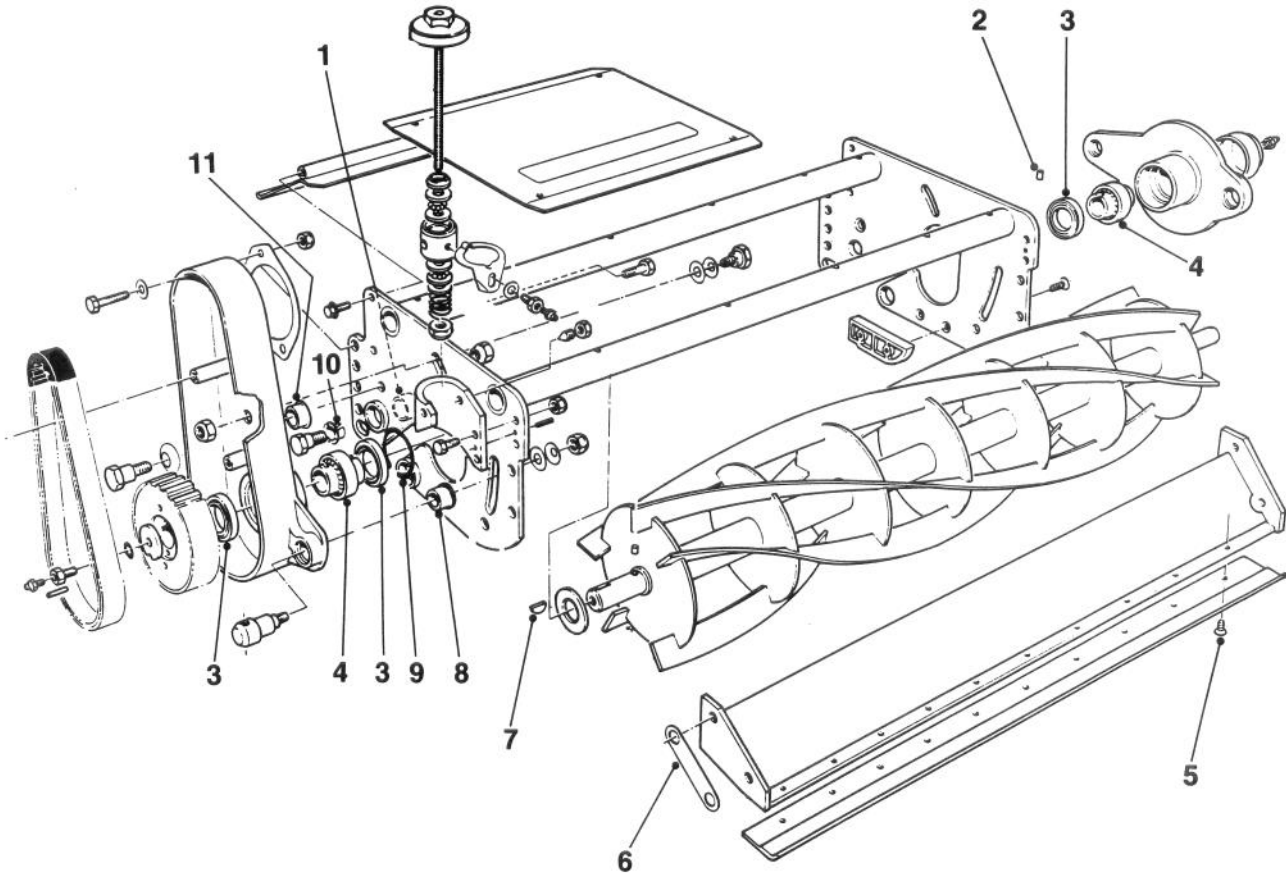




OVERHAUL KIT NO. 13-3679

**PARTS
CATALOG**
FITS ALL 450D CUTTING UNITS 5 AND 7 BLADE


Ref. No.	Part No.	Description	No. Used
1	62-6110	Bushing Assembly	4
2	48-8880	Pin — Dowel	2
3	253-145	Seal	3
4	59-6140	Bearing	2
5	57-4910	Screw	10
6	76-3580	Spacer	2
7	3257-3	Key — Woodruff	1
8	256-113	Flange Bushing	2
9	32151-71	Retaining Ring	1
10	256-292	Bushing Nyliner	4
11	256-252	Bushing — Flange	2