



206cc OHV Vacuum Blower

Model No. 62925 - 260000001 and up.

Parts Catalog

Ordering Replacement Parts

To order replacement parts, please supply the part number, the quantity, and the description of each part desired.

Understanding Reference Numbers

Each identified part in an illustration has a reference number. The reference number for a part also appears in the parts list, along with other information about the part.

This catalog uses two special reference number formats, one to indicate parts in a service assembly and another to indicate the quantity of a given part in an illustration.

Service Assembly Reference Numbers

Parts in service assemblies have reference numbers in the form a:b. The a represents the reference number of the entire service assembly and the b represents a sequential number unique to each part within the service assembly.

For example, a wheel assembly might be identified by reference number 6, the tire by 6:1, the valve by 6:2, and the wheel by 6:3. When you order the assembly identified by reference number 6, you receive all parts identified by reference numbers 6:1, 6:2, and 6:3. However, you may also order any part individually. Reference numbers of this type appear in illustrations and in part lists.

Reference Numbers Indicating Quantity

In an illustration, if a reference number indicates more than one part, the reference number has the form nX y. The n represents the quantity of the part, the X is the multiplication symbol, and the y represents the reference number.

For example, in an illustration, the reference number 2X 37 means that two of the parts identified by reference number 37 are indicated.

Contents

Description	Page	Description	Page
Blower, Fan and Snout Assembly 3	Air Cleaner Assembly Briggs and Stratton 126302-0245-E1 14
Blower Assembly 4	Muffler and Fuel Tank Assembly Briggs and Stratton 126302-0245-E1 15
Engine and Front Wheel Assembly 5	Governor Assembly Briggs and Stratton 126302-0245-E1 16
Traction and Wheel Assembly 6	Blower Housing Assembly Briggs and Stratton 126302-0245-E1 17
Traction Assembly 7	Starter Assembly Briggs and Stratton 126302- 0245-E1 18
Handle and Vacuum Bag Assembly 8	Oil Tube and Dipstick Assembly Briggs and Stratton 126302-0245-E1 19
Cylinder Assembly Briggs and Stratton 126302-0245-E1 9	358 Engine Gasket Set and 1095 Valve Gasket Set Assemblies Briggs and Stratton 126302-0245-E1 20
Crankshaft Assembly Briggs and Stratton 126302-0245-E1 10	121 Carburetor Overhaul Kit and 977 Carburetor Gasket Set Assemblies, Briggs and Stratton 126302-0245-E1 21
Cylinder Head Assembly Briggs and Stratton 126302-0245-E1 11		
Crankcase Assembly Briggs and Stratton 126302-0245-E1 12		
Carburetor Assembly Briggs and Stratton 126302-0245-E1 13		

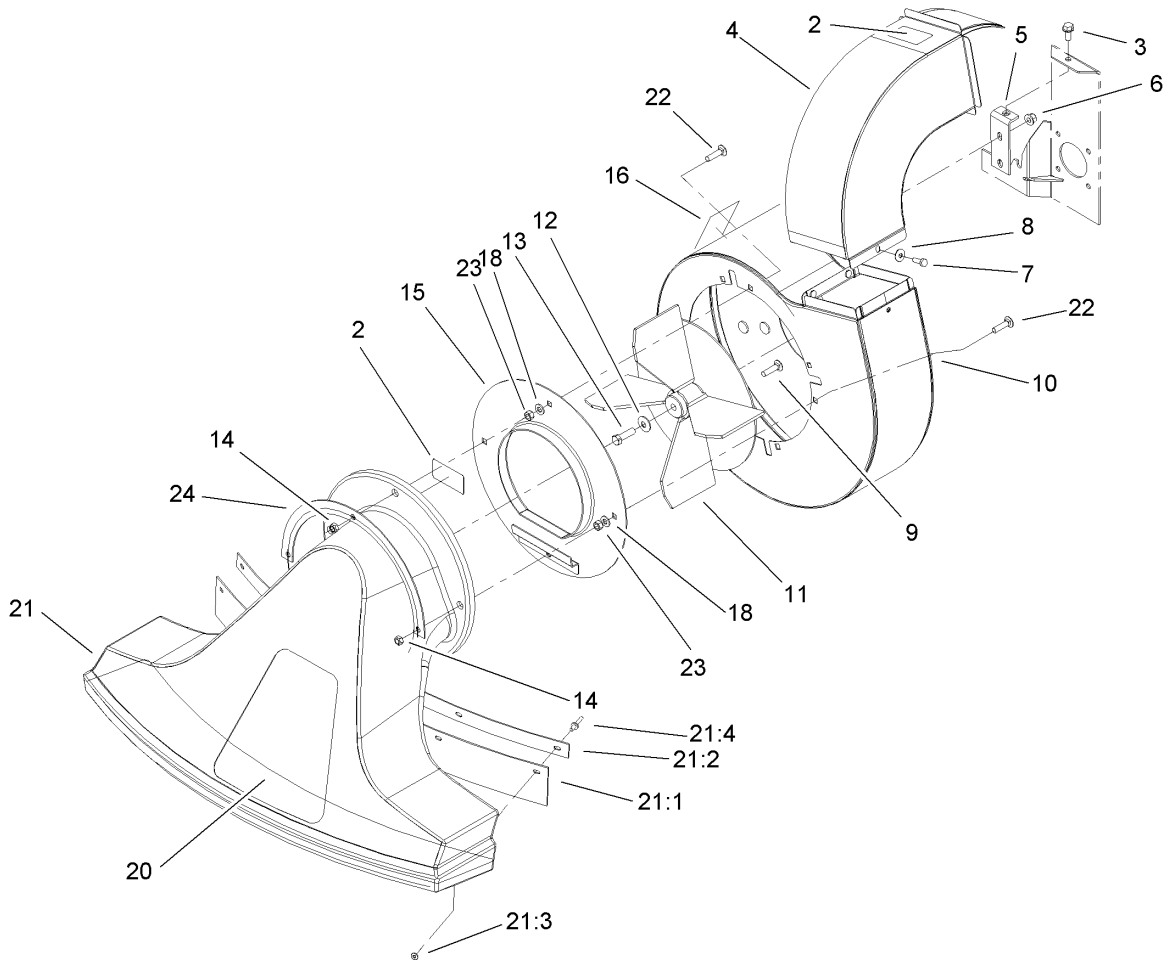
Part Description Abbreviations

Part descriptions in this catalog may include the following abbreviations.

AR. as required	INC. incorporated
ASM. assembly	LH. left hand
BBC. blade brake clutch	NI. nylon insert
CARR. carriage	NPTF. national pipe thread fine
DEG. degrees	PFH. phillips flat head
EXT. external	PPH. phillips pan head
FH. flat head	PPHTF. phillips pan head thread forming
GA. gauge	PRH. phillips round head
HF. hex flange	PTH. phillips truss head
HH. hex head	PTO. power-take-off
HHF. hex head flange	RH. right hand
HHFTF. hex head flange thread forming	ROPS. roll-over-protection-system
HJ. hex jam	SFH. slotted fillister head
HLH. hex lag head	SHH. slotted hex head
HOC. height-of-cut	SHWH. slotted hex washer head
HSBH. hex socket button head	SPH. slotted pan head
HSFH. hex socket flat head	SQH. square head
HSH. hex socket head	SRH. slotted round head
HWH. hex washer head	STD. standard
HWHTF. hex washer head thread forming	TAP. self tapping
HYD. hydraulic	TTH. torx truss head

Footnotes

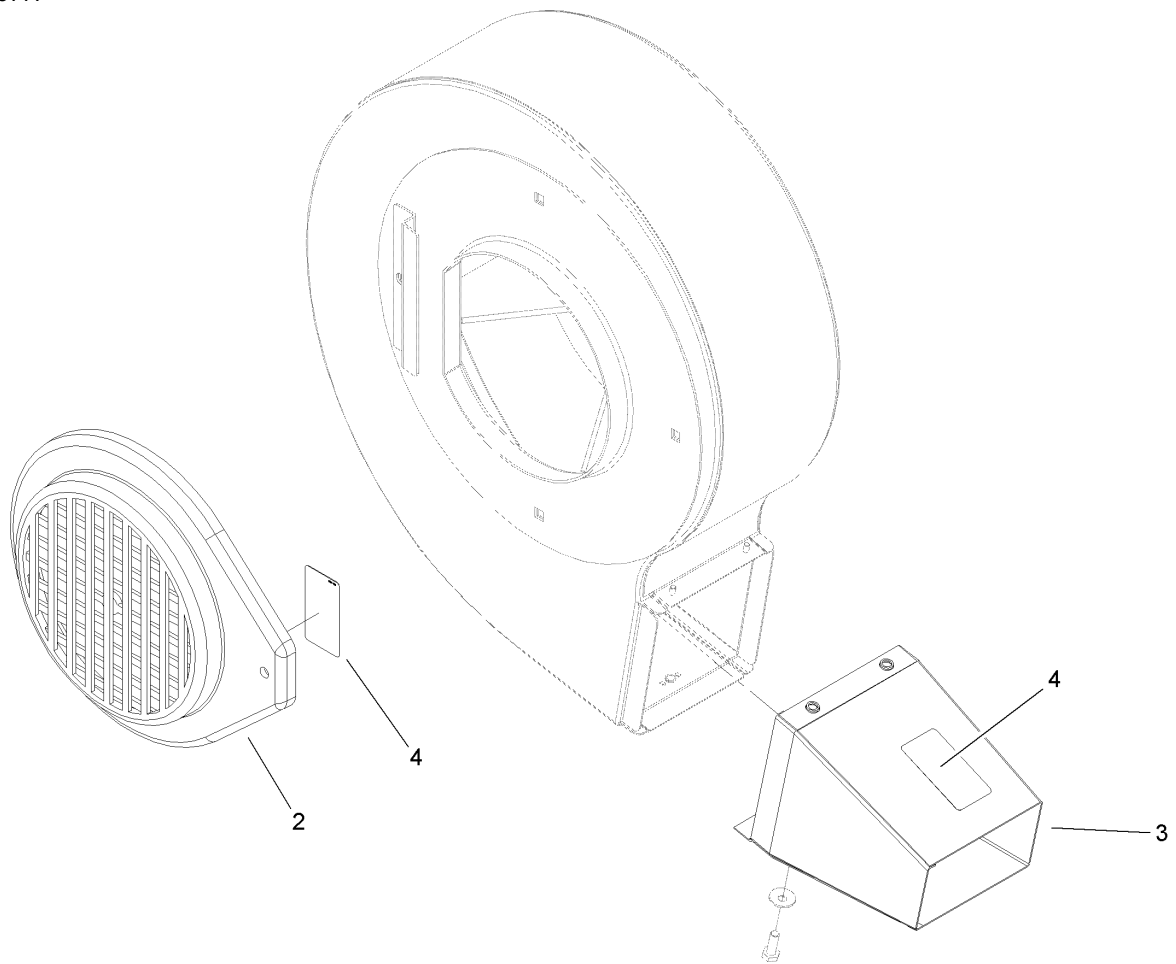
- | | |
|--|---|
| ❶ Not serviced separately | ❷ Obtain from your local Briggs & Stratton dealer |
| ❸ Included in Carburetor Overhaul Kit (Ref. No. 121) | ❹ Included in Engine Gasket Set (Ref. No. 358) |
| ❺ Included in Carburetor Gasket Set (Ref. No. 977) | ❻ Included in Valve Gasket Set (Ref. No. 1095) |



Blower, Fan and Snout Assembly

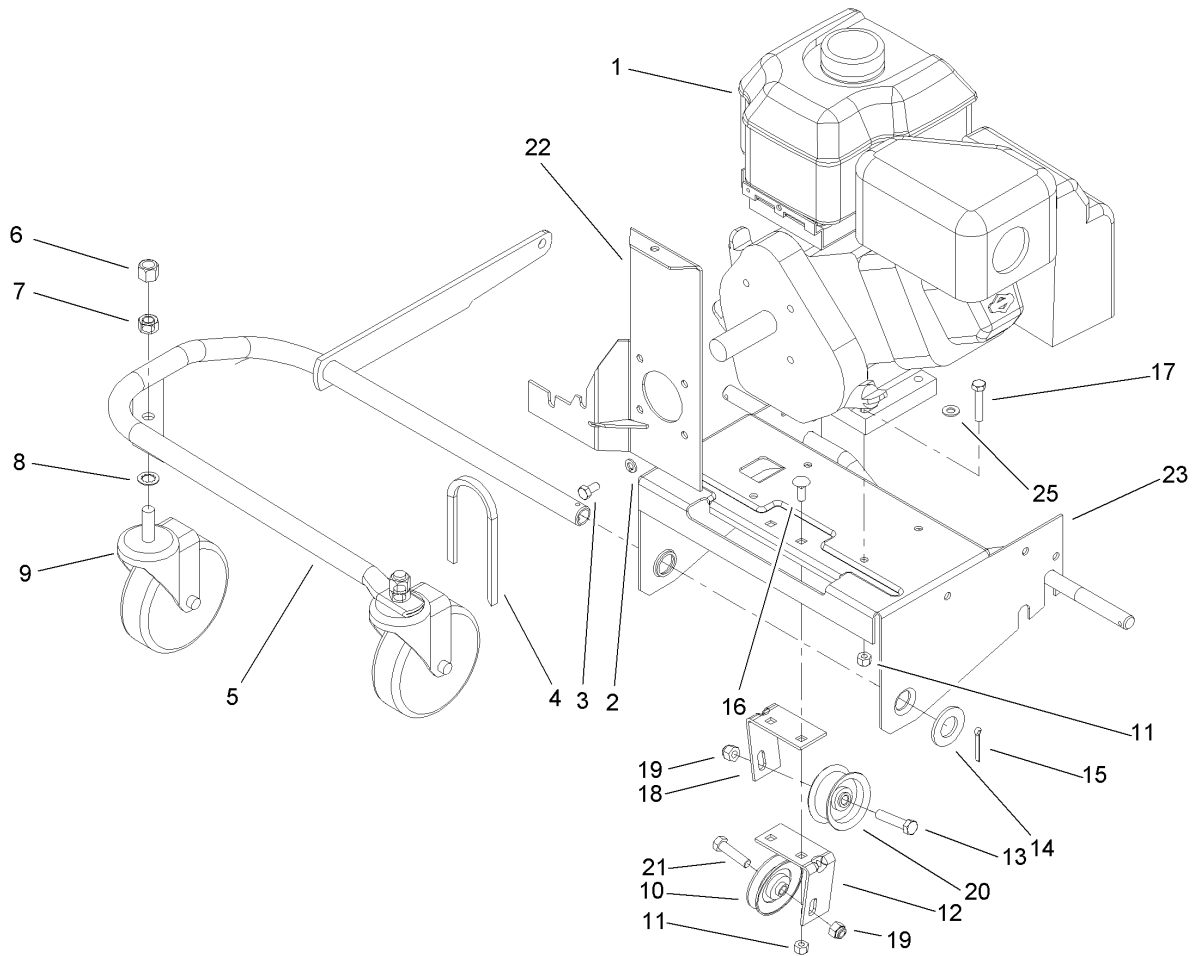
Ref	Part No.	Qty.	Description
2	93-4139	2	Decal-Caution, Bag
3	32144-70	1	Screw-HH
4	110-8605-01	1	Vacuum Chute ASM
5	105-1233-03	1	Bracket-Mounting, Housing
6	3296-58	4	Nut-Lock, NI
7	321-2	1	Screw-HH
8	3290-436	1	Washer-Belleville
9	3230-19	1	Screw-CARR
10	110-8606-01	1	Blower/Vac Housing ASM
11	93-3677-03	1	Fan ASM
12	3290-340	1	Washer-Belleville
13	3211-5	1	Screw-HH
14	3296-47	4	Nut-Lock, NI
15	20-5450-01	1	Cover-Blower
16	105-4062	1	Decal-Warning, Rotate
18	3256-23	3	Washer-Flat
20	107-8919	1	Decal
21	40-7000	1	Snout ASM
21:1	20-6830	1	Flap-Rubber
21:2	20-6840-03	1	Clamp-Flap
21:3	3256-51	5	Washer-Flat
21:4	3269-22	5	Rivet-Pop
22	3230-3	3	Screw-CARR
23	3217-6	3	Nut-Hex

Ref	Part No.	Qty.	Description
24	105-8543-03	1	Flange-Retainer



Blower Assembly

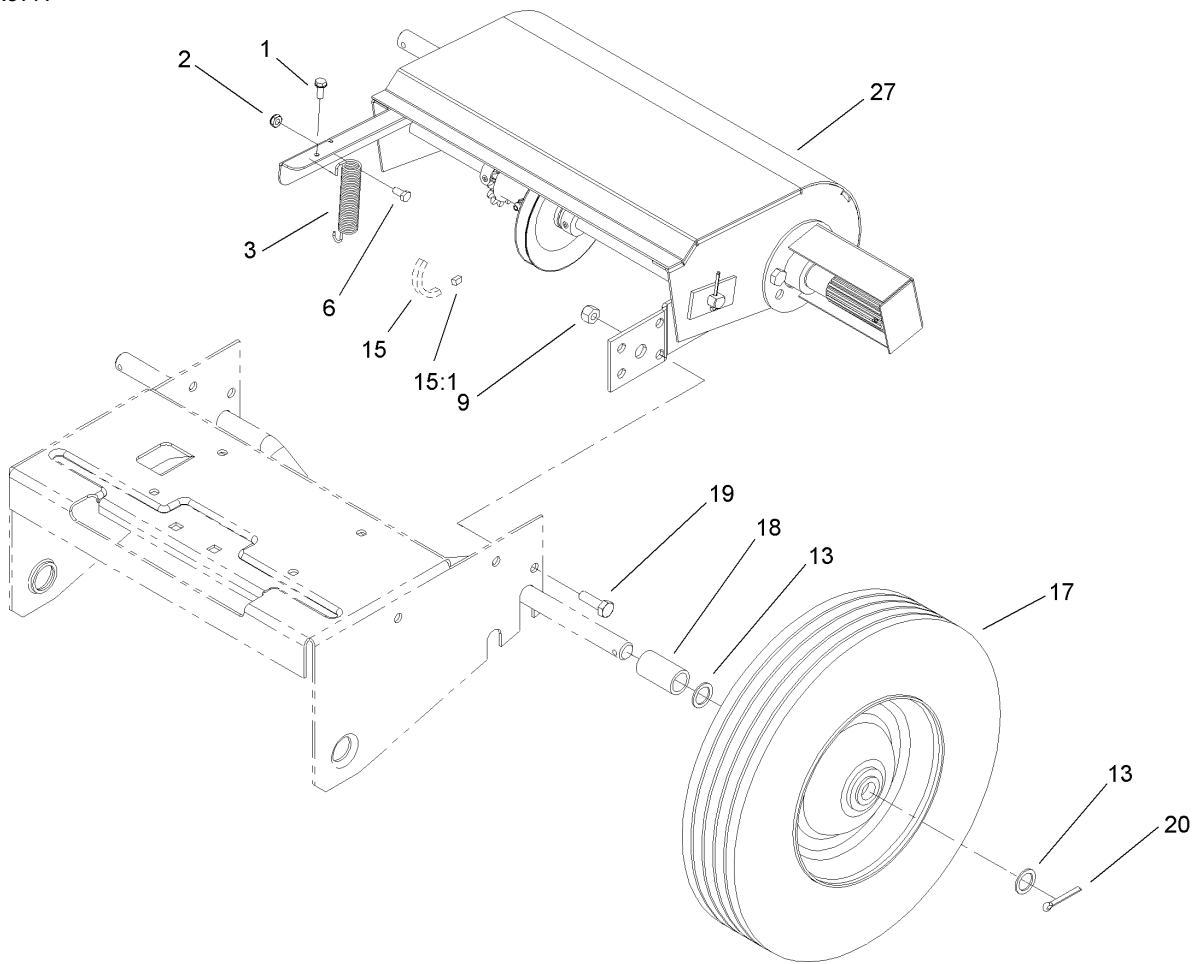
Ref	Part No.	Qty.	Description
2	20-5780	1	Intake-Blower
3	110-9080-01	1	Blower Exhaust ASM
4	93-4139	2	Decal-Caution, Bag



Engine and Front Wheel Assembly

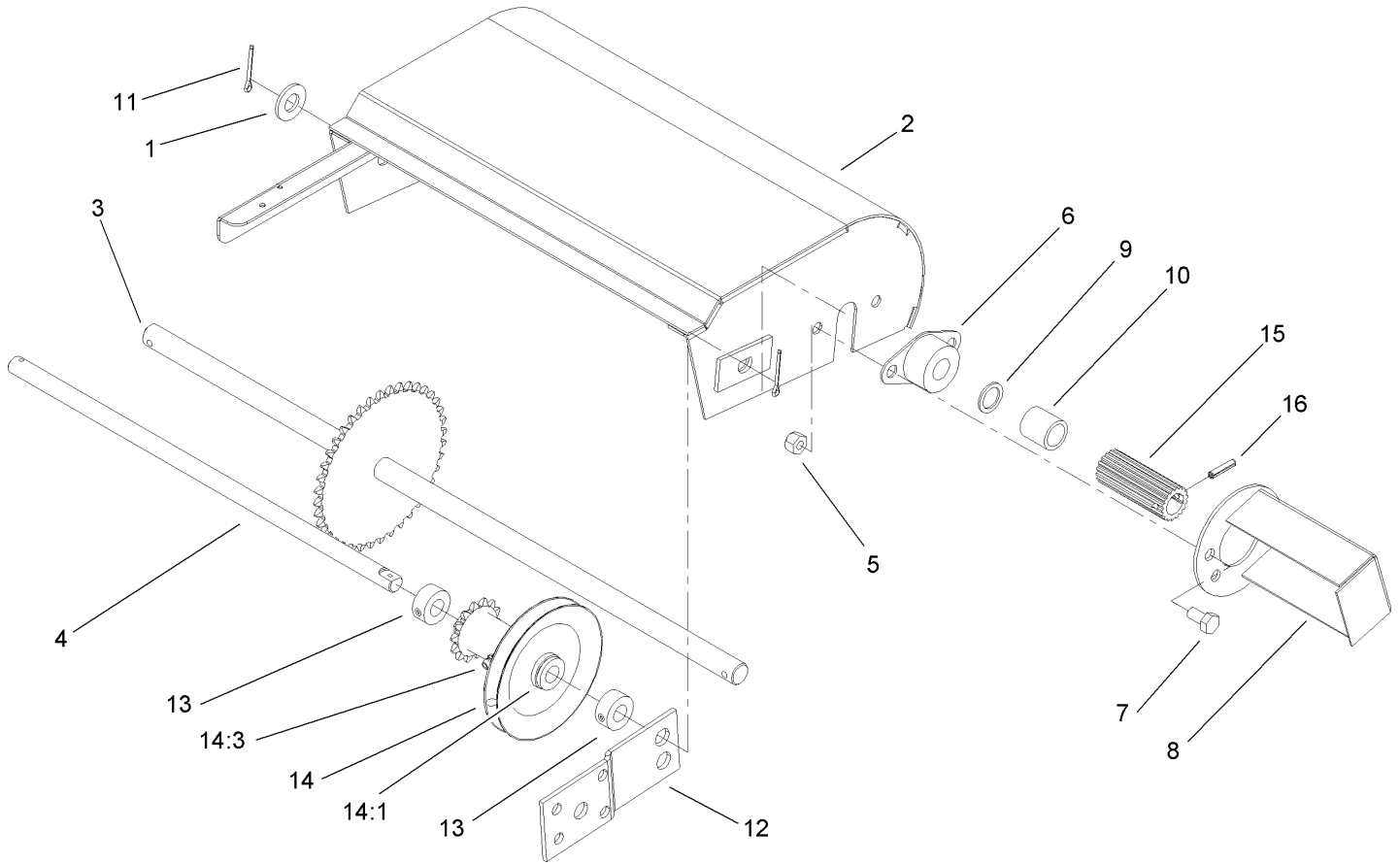
Ref	Part No.	Qty.	Description
1		1	Engine-Briggs And Stratton, 1263020245E1
2	3253-4	4	Washer-Lock
3	3210-2	4	Screw-HH
4	20-5990	1	Belt-V
5	93-4146-03	1	Front Wheel Support ASM
6	3296-23	2	Nut-Lock, NI
7	3217-9	2	Nut-Hex
8	3254-4	2	Washer-Lock/Int
9	23-3320	2	Caster
10	12-5820	1	Pulley-Idler
11	3296-29	6	Nut-Lock, NI
12	20-8690-03	1	Bracket-Idler Mount, LH
13	323-9	1	Screw-HH
14	3256-29	1	Washer-Flat
15	3272-17	1	Pin-Cotter
16	3230-1	2	Bolt-CARR
17	322-8	4	Screw-HH
18	20-8680-03	1	Bracket-Idler Mount, RH
19	3296-39	2	Nut-Lock, NI
20	12-6700	1	Pulley-Idler
21	323-8	1	Screw-HH
22	105-1232-03	1	Stabalizer Bracket ASM
23	20-5560-03	1	Plate-Engine

Ref	Part No.	Qty.	Description
25	3256-23	1	Washer-Flat



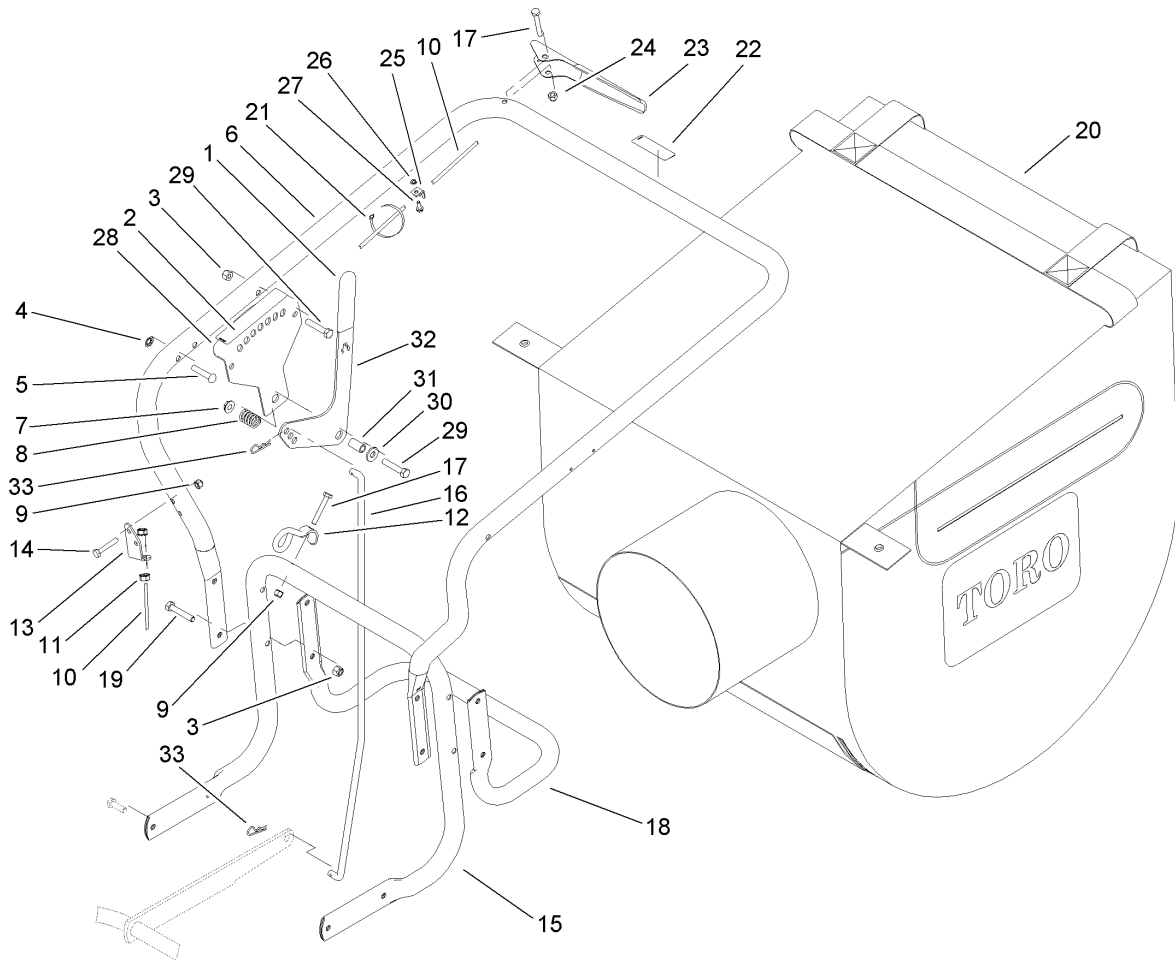
Traction and Wheel Assembly

Ref	Part No.	Qty.	Description
1	32140-32	1	Screw-HH
2	3296-27	1	Nut-Lock NI
3	23-3520	1	Spring-Traction
6	25-8640	1	Screw-HH
9	3296-29	6	Nut-Lock, NI
13	7-3590	7	Washer
15	3-3434	1	Chain-Roller, Reel Drive
15:1	2710-31	1	Link-Connecting, No. 35
17	20-6100	2	Wheel
18	20-5410	2	Spacer-Axle
19	322-5	6	Screw-HH
20	3272-17	2	Pin-Cotter
27		1	Traction ASM



Traction Assembly

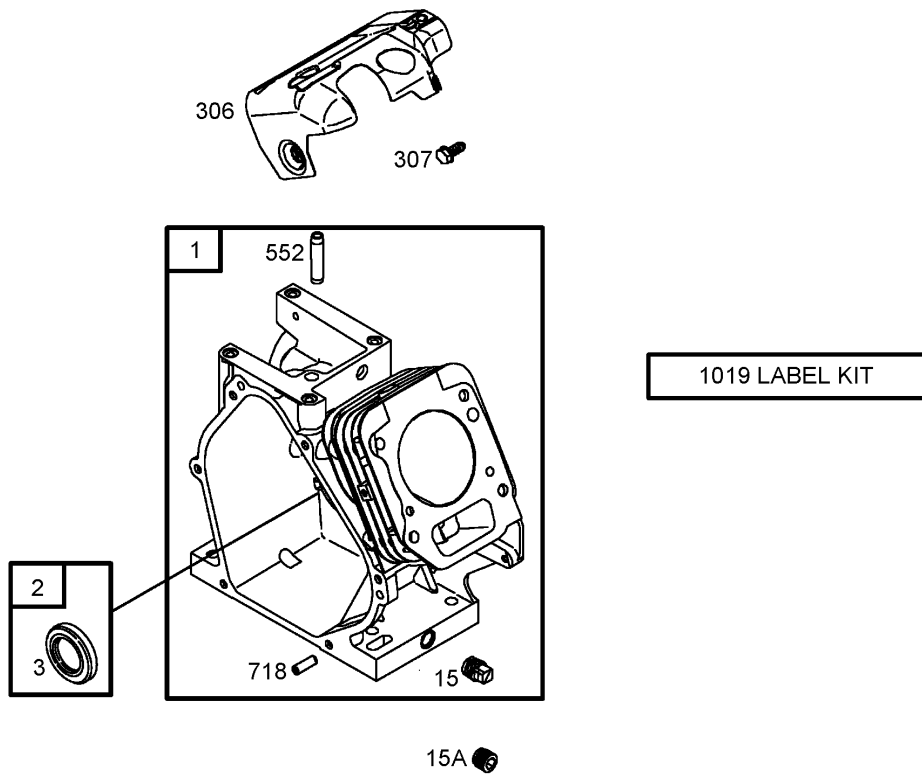
Ref	Part No.	Qty.	Description
1	3256-26	1	Washer-Flat
2	93-8461-03	1	Guard
3	20-7270	1	Shaft-Wheel, Friction
4	20-5870	1	Shaft-Idler
5	3296-29	4	Nut-Lock, NI
6	106-2780	2	Bearing-Flange
7	322-2	4	Screw-HH
8	37-9210-03	2	Guard
9	7-3590	2	Washer
10	20-5460	2	Spacer
11	3272-7	2	Pin-Cotter
12	43-6830-03	2	Bracket-Mounting
13	20-5950	2	Collar
14	20-6000	1	Idler ASM
14:1	256-105	2	Bushing-Flange
14:3	302-5	1	Fitting-Grease
15	20-5960	2	Wheel-Friction
16	32121-4	2	Pin-Roll, Slotted



Handle and Vacuum Bag Assembly

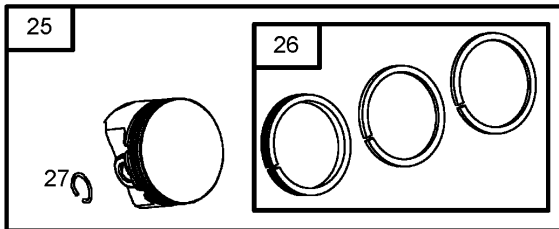
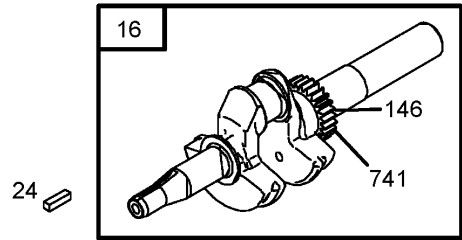
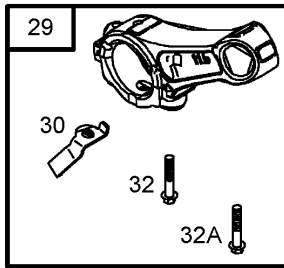
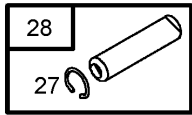
Ref	Part No.	Qty.	Description
1	3-7877	1	Grip-Handle
2	93-4137	1	Decal-Adjustment, Height
3	3296-29	6	Nut-Lock, NI
4	3290-418	2	Nut-Push In
5	3263-9	2	Rivet
6	23-3570	1	Handle-Upper, Vacuum
7	32128-13	1	Nut-HF
8	20-6110	1	Spring-Compression
9	3296-42	3	Nut-Lock, NI
10	105-1234	1	Cable-Traction
11	32149-5	2	Nut-Keps
12	46-8082	1	Guide-Rope
13	33-2830	1	Mount-Bowden, Lower
14	321-9	2	Screw-HH
15	105-1236	1	Handle-Lower
16	105-1235	1	Rod-Adjust, Height
17	321-10	2	Screw-HH
18	66-1640-03	1	Support-Bag
19	322-9	4	Screw-HH
20	105-1245	1	Bag-Vacuum
21	3290-378	1	Tie-Cable
22	93-4141	1	Decal-Control, Traction
23	93-8464	1	Lever
24	32111-7	1	Nut-Cap

Ref	Part No.	Qty.	Description
25	20-8780	1	Retaining-Clip
26	3255-17	1	Washer-Lock / EXT
27	32144-112	1	Screw-HWH
28	20-5820-03	1	Bracket-Adjustment
29	322-8	3	Screw-HH
30	3256-3	1	Washer-Flat
31	20-5650	1	Spacer
32	23-3410-03	1	Handle-Adjust, Height
33	3290-250	2	Pin-Hair



Cylinder Assembly Briggs and Stratton 126302-0245-E1

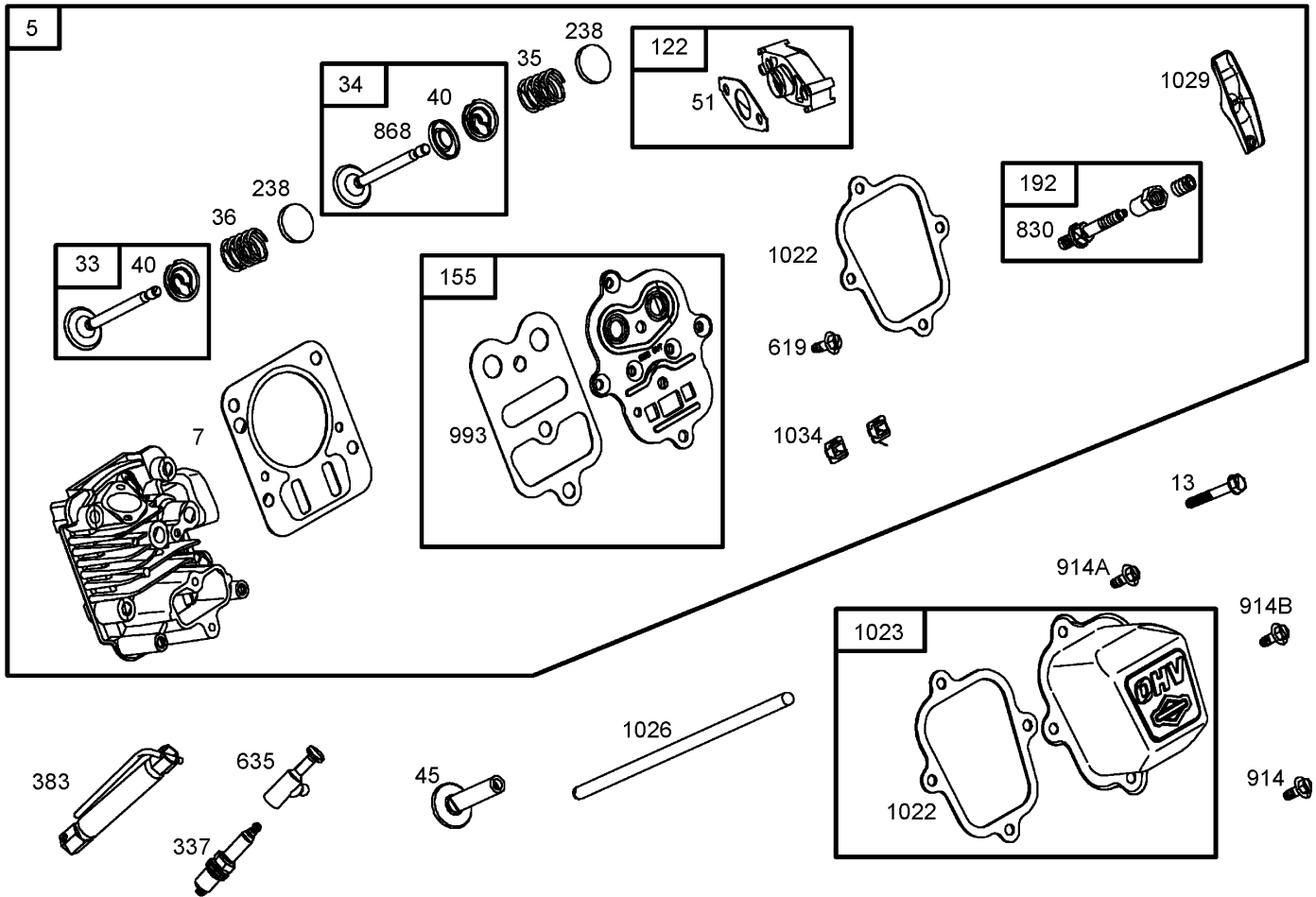
Ref	Part No.	Qty.	Description
1	699510	1	Cylinder ASM
2	399269	1	Bushing/Seal Kit
3	299819	1	Seal-Oil
15	691686	1	Plug-Drain, Oil (Square Head)
15A	691682	1	Plug-Drain, Oil (Flush)
306	693610	1	Shield-Cylinder
307	699483	1	Screw (Cylinder Shield)
552	692346	1	Busing-Crank, Governor
718	690959	1	Pin-Locating
1019	694852	1	Label Kit



Crankshaft Assembly Briggs and Stratton 126302-0245-E1

Ref	Part No.	Qty.	Description
②16	699452	1	Crankshaft
②24	222698	1	Key
②25	790359	1	Piston ASM (Standard)
②25	694168	1	Piston ASM (.020In Oversize)
②26	499631	1	Ring Set (Standard)
②26	692786	1	Ring Set (.020In Oversize)
②27	691866	1	Lock-Pin, Piston
②28	499423	1	Pin-Piston (STD)
②29	690124	1	Rod-Connecting
②30	692562	1	Dipper-Rod, Connecting
②32	691664	1	Screw
②32A	695759	1	Screw
②146	690979	1	Key-Timing
②741	695087	1	Gear-Timing

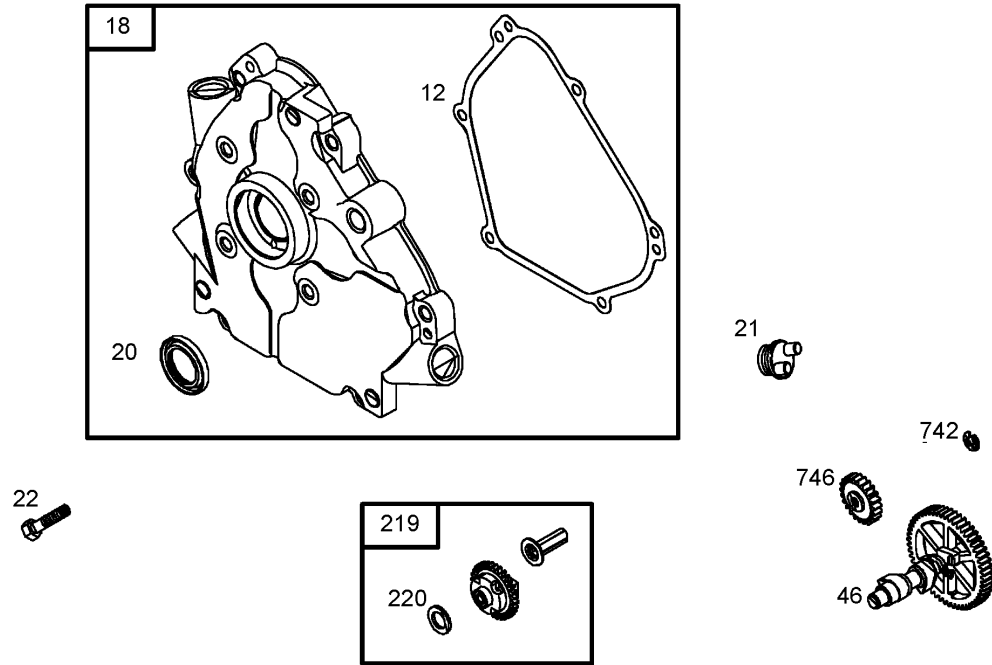
--	--	--	--



Cylinder Head Assembly Briggs and Stratton 126302-0245-E1

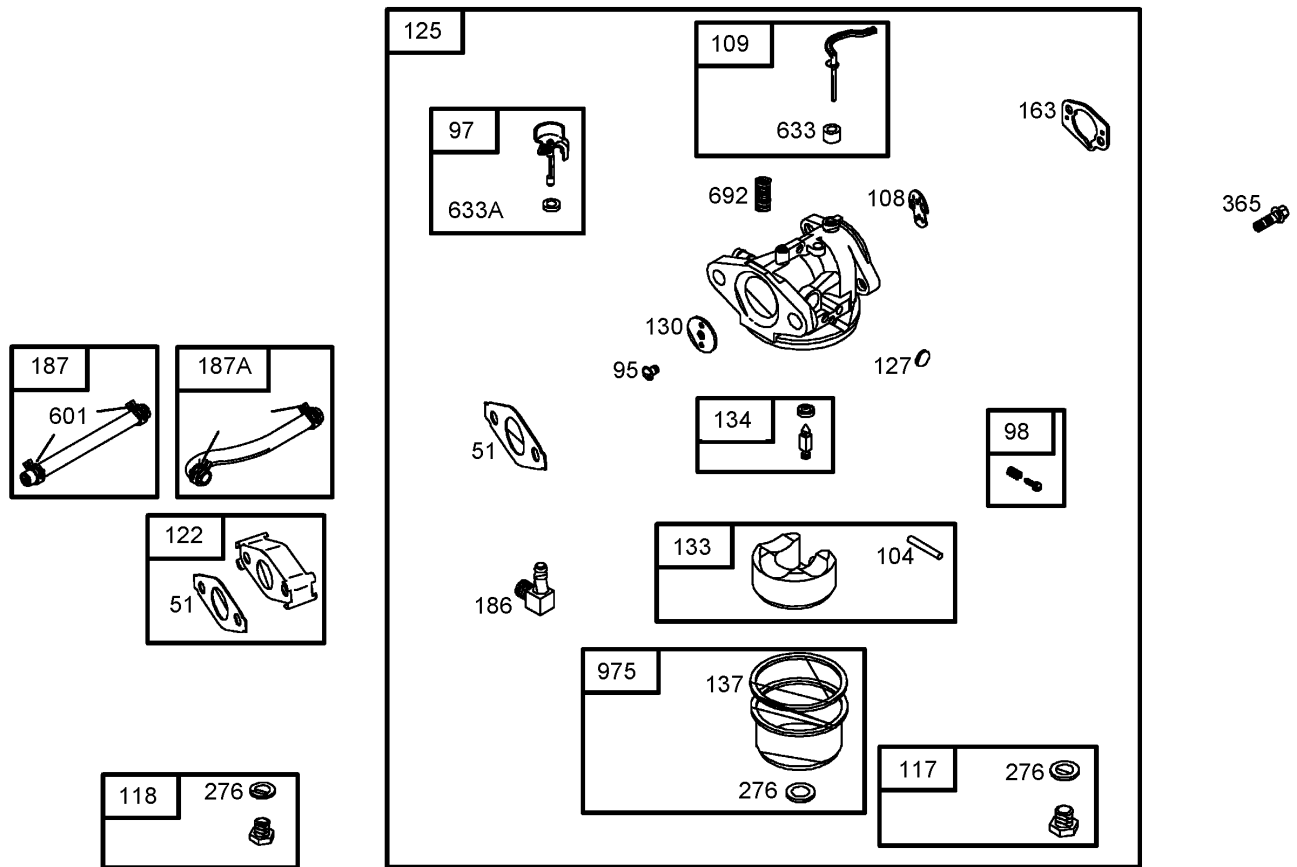
Ref	Part No.	Qty.	Description
25	699486	1	Head-Cylinder
247	698210	1	Gasket-Head, Cylinder
6			
213	699482	1	Screw (Cylinder Head)
233	499642	1	Valve-Exhaust
234	499641	1	Valve-Intake
235	691304	1	Spring-Valve
236	691304	1	Spring-Valve
240	692194	1	Retainer-Valve
245	690977	1	Valve-Tappet
2451	692555	1	Gasket-Intake
6			
2122	693749	1	Spacer-Carburetor
4			
2155	698214	1	Plate-Head, Cylinder
2192	694543	1	Adjuster-Arm, Rocker
2238	691300	1	Cap-Valve
2337	691043	1	Spark Plug
2383	19374	1	Wrench-Spark Plug
2619	699230	1	Screw (Cylinder Head Plate)
2635	692076	1	Boot-Spark Plug
2830	694544	1	Stud-Arm, Rocker
24868	692044	1	Seal-Valve
6			
2914	699481	1	Screw (Rocker Cover) (Bottom)

Ref	Part No.	Qty.	Description
2914A	692557	1	Screw (Rocker Cover) (Top)
2914B	697551	1	Screw
24993	694088	1	Gasket-Plate, Cylinder Head
6			
241022	691890	1	Gasket-Cover, Rocker
6			
21023	499924	1	Rocker Cover
21026	790287	1	Push Rod
21029	691230	1	Arm-Rocker
21034	691343	1	Guide-Rod, Push



Crankcase Assembly Briggs and Stratton 126302-0245-E1

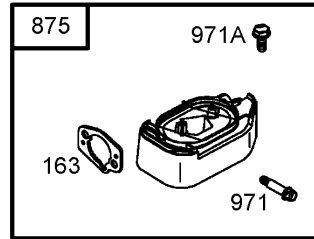
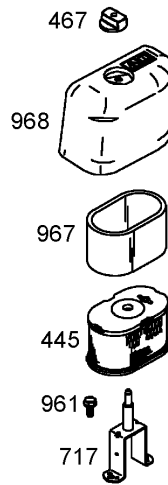
Ref	Part No.	Qty.	Description
②④12	699485	1	Gasket-Cover, Crankcase
②18	699696	1	Cover-Crankcase
②④20	692550	1	Oil Seal (PTO Side)
②21	281658	1	Cap-Fill, Oil
②22	699478	1	Screw (Crankcase Cover/Sump)
②46	693404	1	Camshaft
②219	693578	1	Gear-Governor
②220	691724	1	Washer (Governor Gear)
②742	692564	1	Retainer-E Ring
②746	692566	1	Gear-Idler



Carburetor Assembly Briggs and Stratton 126302-0245-E1

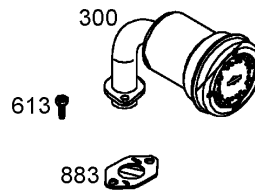
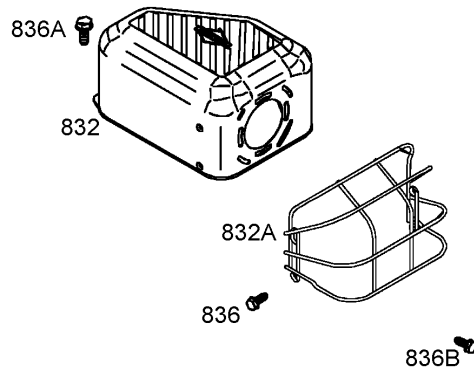
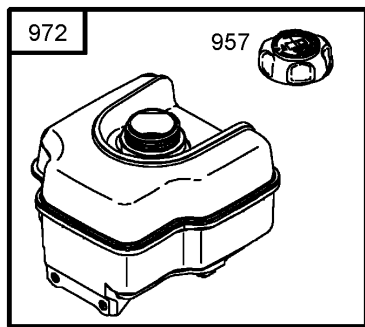
Ref	Part No.	Qty.	Description
③④⑤	692555	1	Gasket-Intake
②	691636	1	Screw (Throttle Valve)
②	690024	1	Shaft-Throttle
②	398185	1	Idle Speed Kit
②③	691242	1	Pin-Hinge, Float
②	692567	1	Valve-Choke
②	693628	1	Shaft-Choke
②	697355	1	Jet-Main (Standard)
②	494870	1	Jet-Main (High Altitude)
②③④	693749	1	Spacer-Carburetor
②	697028	1	Carburetor
②③	691739	1	Plug-Welch
②	691181	1	Valve-Throttle
②	398187	1	Float-Carburetor
②③	398188	1	Needle/Seat Kit
②③⑤	693981	1	Gasket-Bowl, Float
③④⑤	696979	1	Gasket-Cleaner, Air
②	692317	1	Connector-Hose
②	691050	1	Line-Fuel (Cut To Required Length)
②	692601	1	Line-Fuel (Molded)

Ref	Part No.	Qty.	Description
②③⑤	271716	1	Washer-Sealing
②	699484	1	Screw (Carburetor)
②	95162	1	Clamp-Hose
②③⑤	693867	1	Seal-Shaft, Choke/Throttle
②③⑤	691321	1	Seal-Shaft, Choke/Throttle
②	690572	1	Spring-Detent
②	493640	1	Bowl-Float



Air Cleaner Assembly Briggs and Stratton 126302-0245-E1

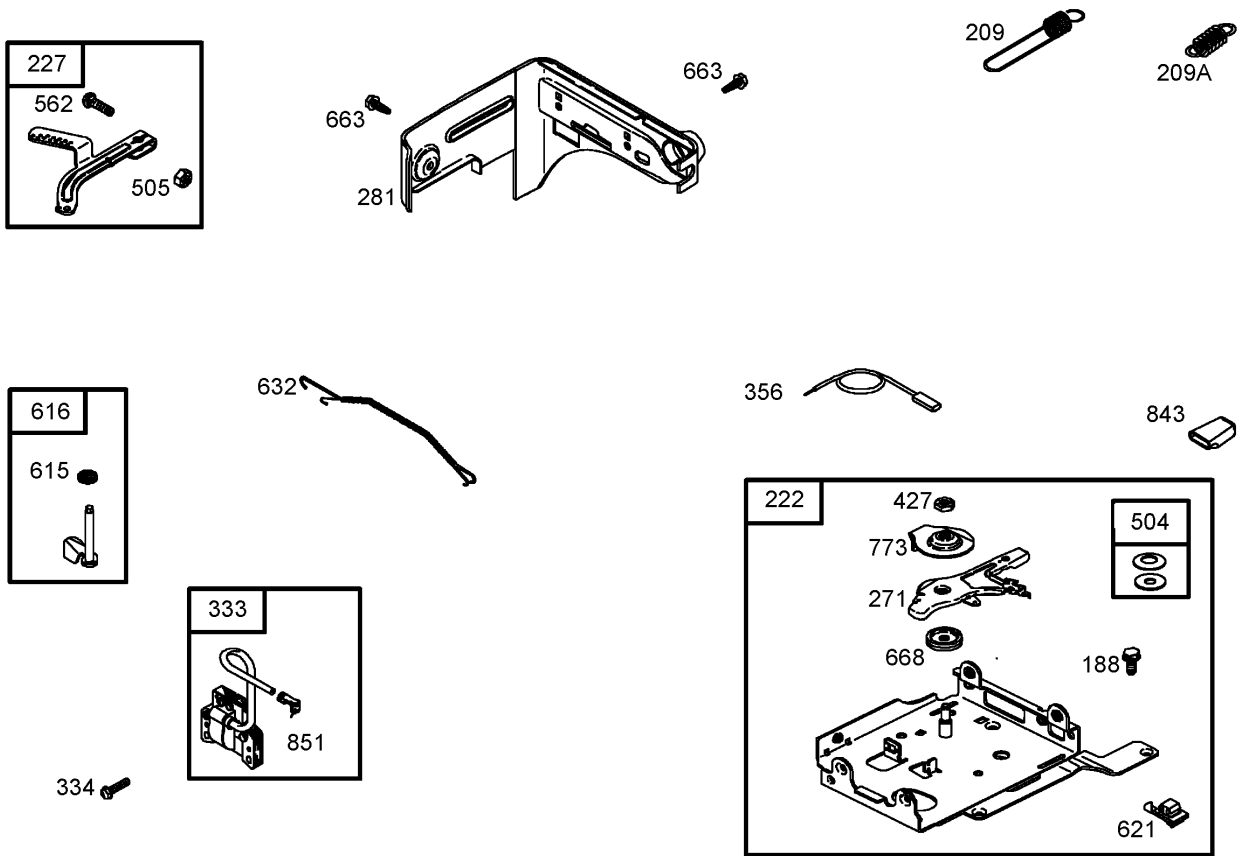
Ref	Part No.	Qty.	Description
211	693647	1	Tube-Breather
34163	696979	1	Gasket-Cleaner, Air
5			
2445	697029	1	Filter-Cartridge, Air Cleaner
2467	691668	1	Knob-Cleaner, Air
2717	693462	1	Bracket-Cleaner, Air
2875	697030	1	Base-Cleaner, Air
2961	698304	1	Screw (Air Cleaner Bracket)
2967	273356	1	Filter-Pre Cleaner
2968	693460	1	Cover-Cleaner, Air
2971	690349	1	Screw (Air Cleaner Base)
2971A	699629	1	Screw (Air Cleaner Base)



Muffler and Fuel Tank Assembly Briggs and Stratton 126302-0245-E1

Ref	Part No.	Qty.	Description
②300	693593	1	Muffler
②190	699220	1	Screw (Fuel Tank)
②613	699209	1	Screw
②832	693583	1	Guard-Muffler
②832A	696516	1	Guard-Muffler
②836	699204	1	Screw
②836A	699632	1	Screw
②836B	699203	1	Screw
②④883	691893	1	Gasket-Exhaust
②957	694261	1	Cap-Tank, Fuel
②958	698180	1	Valve-Shut Off, Fuel
②972	694260	1	Tank-Fuel

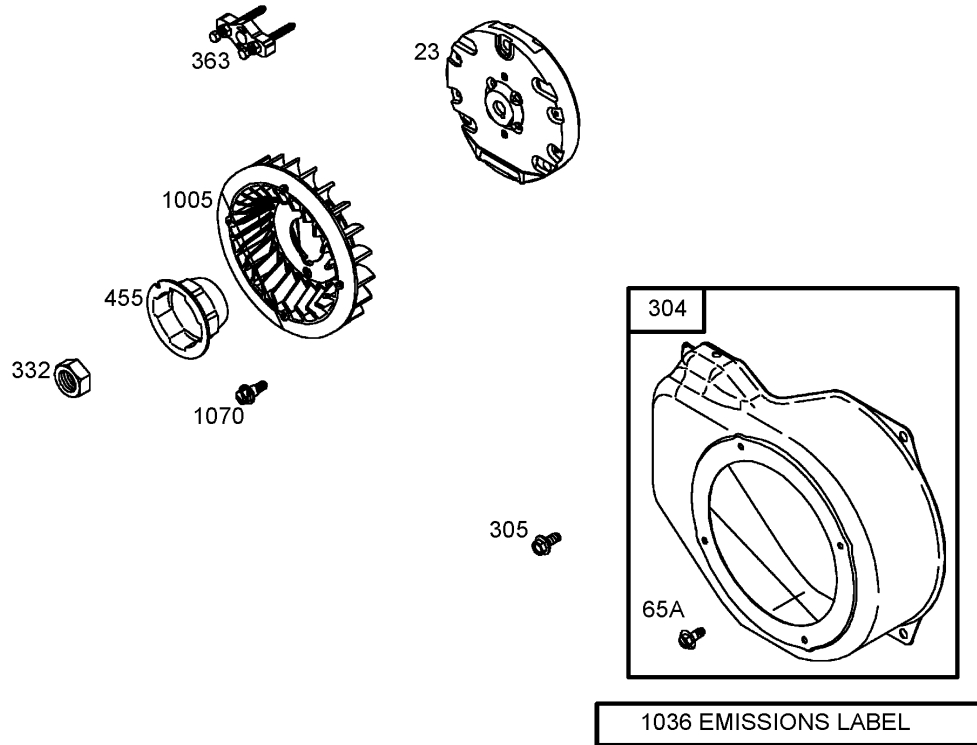
--	--	--	--



Governor Assembly Briggs and Stratton 126302-0245-E1

Ref	Part No.	Qty.	Description
2188	699479	1	Screw (Control Bracket)
2209	692571	1	Spring-Governor
2209A	691278	1	Spring-Governor
2222	699589	1	Bracket-Control
2227	692573	1	Lever-Control, Governor
2271	694256	1	Lever-Control
2281	699639	1	Panel-Control
2333	695711	1	Armature-Magneto
2334	699477	1	Screw (Magneto Armature)
2356	692390	1	Wire-Stop
2427	94255	1	Nut (Control Bracket)
2504	694254	1	Washer Set-Friction
2505	691251	1	Nut (Governor Control Lever)
2562	691112	1	Bolt (Governor Control Lever)
2615	692576	1	Retainer-Shaft, Governor
2616	692547	1	Governor
2621	692310	1	Switch-Stop
2632	693408	1	Sprinh/Link-Governor, Mechanical
2663	699206	1	Screw (Control Panel)
2668	694257	1	Spacer (Control Bracket)
2773	694258	1	Retainer
2843	695588	1	Sleeve-Lever
2851	493880	1	Terminal-Spark Plug

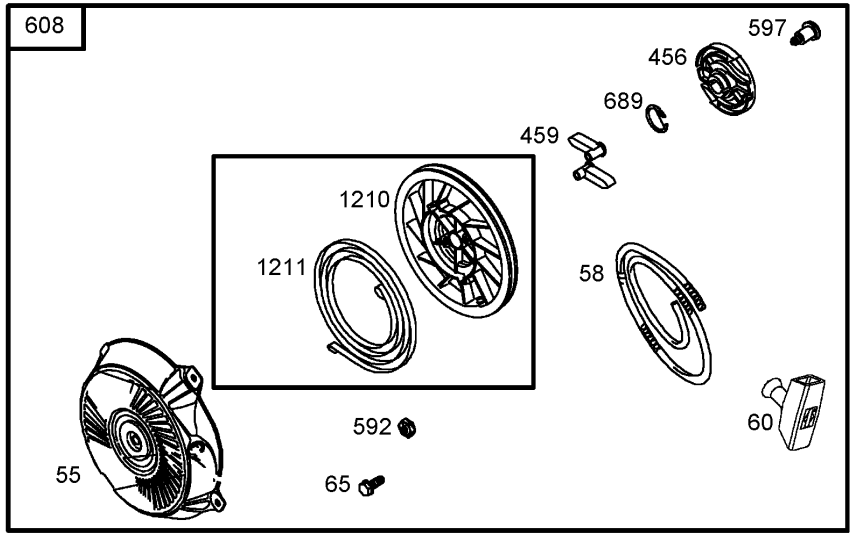
--	--	--	--



Blower Housing Assembly Briggs and Stratton 126302-0245-E1

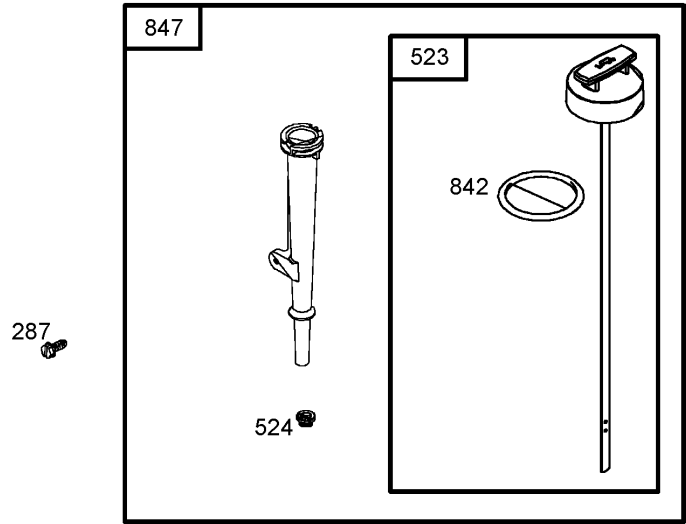
Ref	Part No.	Qty.	Description
23	699488	1	Flywheel
265A	699228	1	Screw
2304	699598	1	Blower Housing
2305	699480	1	Screw (Blower Housing)
2332	699359	1	Nut
2363	19069	1	Puller-Flywheel
2455	692591	1	Cup-Flywheel
21005	692592	1	Fan-Flywheel
21036	790634	1	Emissions Label (Used After Code Date 04063000)
21036	699946	1	Emissions Label(Used After Code Date 04070100)
21070	699201	1	Screw

--	--	--	--



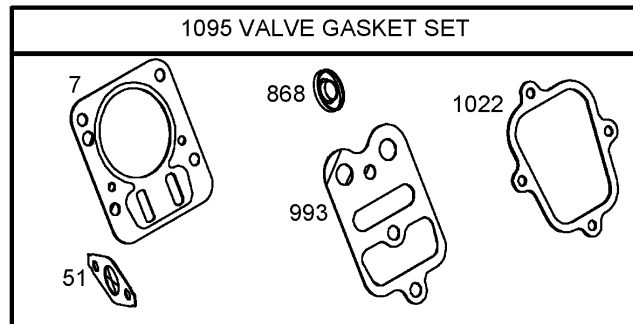
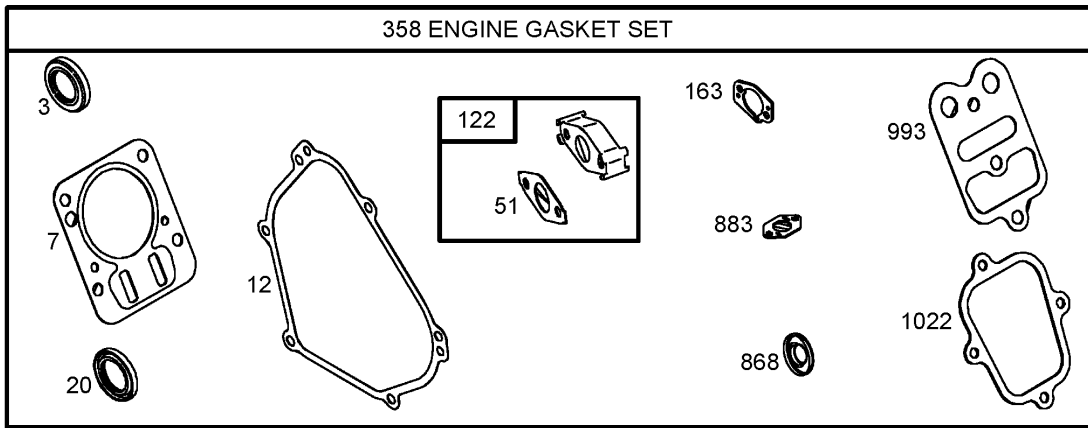
Starter Assembly Briggs and Stratton 126302-0245-E1

Ref	Part No.	Qty.	Description
55	691422	1	Housing-Starter, Rewind
58	693389	1	Rope-Starter (Cut To Required Length)
60	691915	1	Grip-Rope, Starter
65	690837	1	Screw
456	692299	1	Plate-Friction, Pawl
459	281505	1	Ratchet-Pawl
592	690800	1	Nut
597	691696	1	Screw
608	693394	1	Starter-Rewind
689	691855	1	Spring-Friction
1210	498144	1	Pulley/Spring ASM (Pulley)
1211	498144	1	Pulley/Spring ASM (Spring)



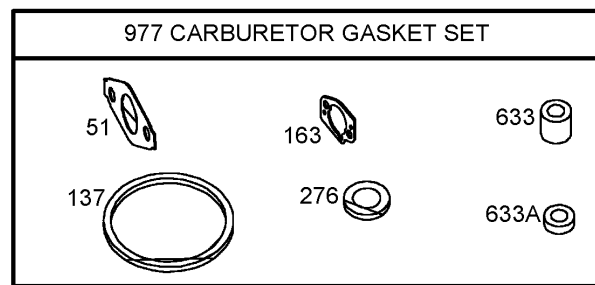
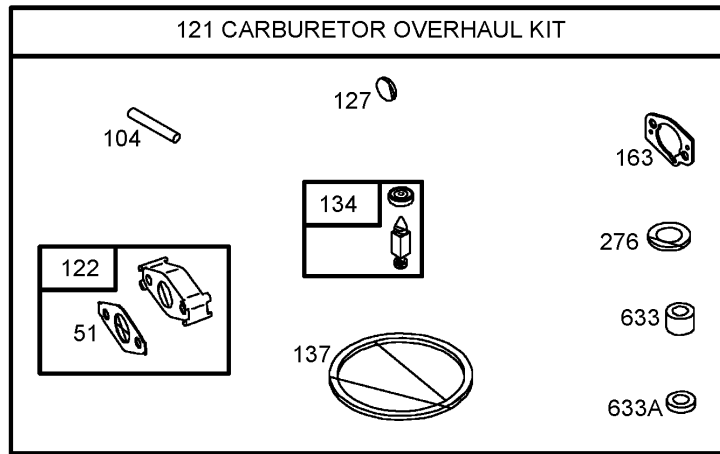
Oil Tube and Dipstick Assembly Briggs and Stratton 126302-0245-E1

Ref	Part No.	Qty.	Description
②287	699629	1	Screw (Dipstick Tube)
②523	693618	1	Dipstick
②524	281370	1	Seal
②842	691031	1	Seal-O Ring
②847	693617	1	Dipstick/Tube ASM



358 Engine Gasket Set and 1095 Valve Gasket Set Assemblies Briggs and Stratton 126302-0245-E1

Ref	Part No.	Qty.	Description
②3	299819	1	Seal-Oil
②7	698210	1	Gasket-Head, Cylinder
②12	699485	1	Gasket-Cover, Crankcase
②20	692550	1	Oil Seal
②⑤51	692555	1	Gasket-Intake
⑤			
②122	693749	1	Spacer-Carburetor
②⑤163	696979	1	Gasket-Cleaner, Air
⑤			
②358	699638	1	Engine Gasket Set
②868	692044	1	Seal-Valve
②883	691893	1	Gasket-Exhaust
②993	694088	1	Gasket-Plate, Cylinder Head
②1022	691890	1	Gasket-Cover, Rocker
②1095	698215	1	Valve Gasket Set



121 Carburetor Overhaul Kit and 977 Carburetor Gasket Set Assemblies, Briggs and Stratton 126302-0245-E1

Ref	Part No.	Qty.	Description
②④51 ⑥	692555	1	Gasket-Intake
②104	691242	1	Pin-Hinge, Float
②121	696998	1	Carburetor Overhaul Kit
②④122	693749	1	Spacer-Carburetor
②127	691739	1	Plug-Welch
②134	398188	1	Needle/Seat Kit
②137	693981	1	Gasket-Bowl, Float
②④163	696979	1	Gasket-Cleaner, Air
②276	271716	1	Washer-Sealing
②633	693867	1	Seal-Shaft, Choke/Throttle
②633A	691321	1	Seal-Shaft, Choke/Throttle
②977	697001	1	Carburetor Gasket Set

NOTES

NOTES

