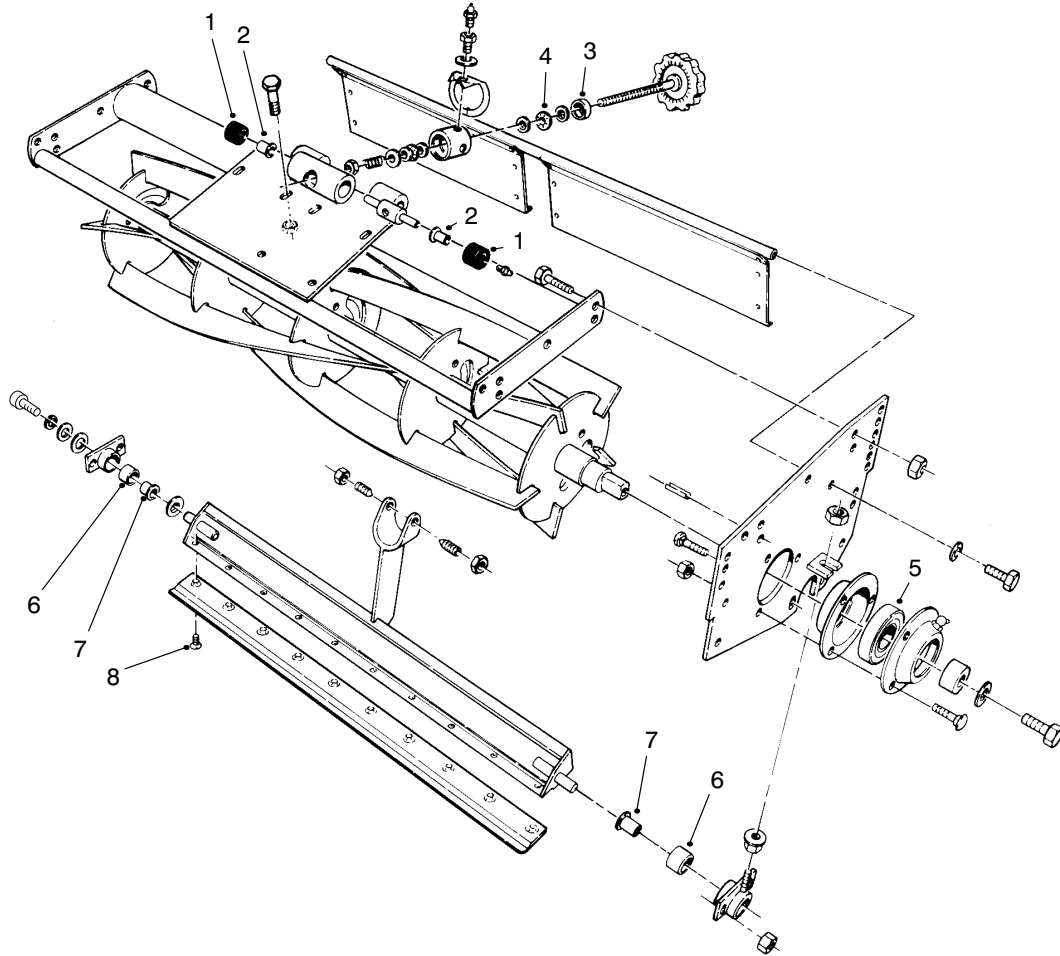




| | |
|---|--------------------------|
| PART NO. 13-3649 | PARTS CATALOG |
| OVERHAUL KIT (For Reelmaster 216 5, 8 & 11 Blade Cutting Units) | |



T-2243

OVERHAUL KIT ASSEMBLY

| Ref. No. | Part No. | Description | No. Used |
|----------|----------|------------------|----------|
| 1 | 62-5510 | Bushing - Rubber | 2 |
| 2 | 52-2890 | Bushing - Flange | 2 |
| 3 | 253-84 | Seal | 1 |
| 4 | 257-6 | Bearing - Thrust | 2 |

| Ref. No. | Part No. | Description | No. Used |
|----------|----------|------------------|----------|
| 5 | 94-3405 | Bearing | 2 |
| 6 | 56-9510 | Bushing | 2 |
| 7 | 56-9520 | Bushing - Flange | 2 |
| 8 | 57-4910 | Screw - Special | 10 |

TPS