



## 22in Recycler<sup>®</sup> Lawnmower

Model No. 20016 - 260000001 and up.

### Parts Catalog

---

#### **Ordering Replacement Parts**

To order replacement parts, please supply the part number, the quantity, and the description of each part desired.

#### **Understanding Reference Numbers**

Each identified part in an illustration has a reference number. The reference number for a part also appears in the parts list, along with other information about the part.

This catalog uses two special reference number formats, one to indicate parts in a service assembly and another to indicate the quantity of a given part in an illustration.

#### **Service Assembly Reference Numbers**

Parts in service assemblies have reference numbers in the form a:b. The a represents the reference number of the entire service assembly and the b represents a sequential number unique to each part within the service assembly.

For example, a wheel assembly might be identified by reference number 6, the tire by 6:1, the valve by 6:2, and the wheel by 6:3. When you order the assembly identified by reference number 6, you receive all parts identified by reference numbers 6:1, 6:2, and 6:3. However, you may also order any part individually. Reference numbers of this type appear in illustrations and in part lists.

#### **Reference Numbers Indicating Quantity**

In an illustration, if a reference number indicates more than one part, the reference number has the form nX y. The n represents the quantity of the part, the X is the multiplication symbol, and the y represents the reference number.

For example, in an illustration, the reference number 2X 37 means that two of the parts identified by reference number 37 are indicated.

## Contents

Description	Page	Description	Page
Deck, Side Chute and Rear Door Assembly	..... 3	Engine Assembly Tecumseh Lv195ea-362003b	..... 10
Rear Axle Assembly	..... 4	Engine Assembly Tecumseh Lv195ea-362003b (continued)	..... 12
Front Axle and Transmission Assembly	..... 5	Carburetor Assembly No. 640303 Tecumseh Lv195ea-362003b	..... 14
Transmission Assembly No. 106-3955	..... 6	Recoil Starter Assembly No. 590739 Tecumseh No. Lv195ea-362003b	..... 15
Engine and Blade Assembly	..... 7	Recoil Starter Assembly No. 590702 (Optional) Tecumseh Lv195ea-362003b	..... 16
Bail and Handle Assembly	..... 8		
Rear Bag Assembly	..... 9		

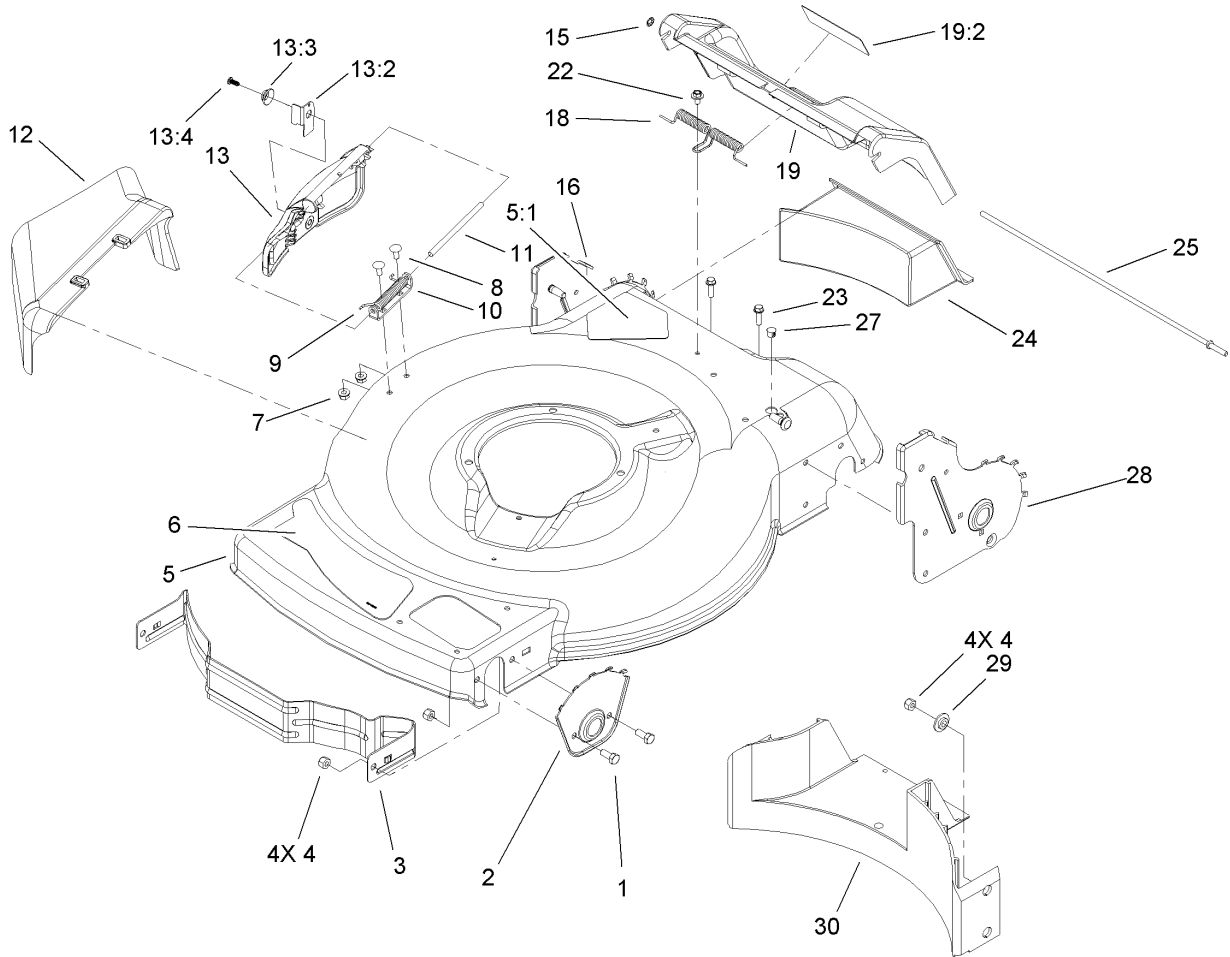
## Part Description Abbreviations

Part descriptions in this catalog may include the following abbreviations.

AR. .... as required	INC. .... incorporated
ASM. .... assembly	LH. .... left hand
BBC. .... blade brake clutch	NI. .... nylon insert
CARR. .... carriage	NPTF. .... national pipe thread fine
DEG. .... degrees	PFH. .... phillips flat head
EXT. .... external	PPH. .... phillips pan head
FH. .... flat head	PPHTF. .... phillips pan head thread forming
GA. .... gauge	PRH. .... phillips round head
HF. .... hex flange	PTH. .... phillips truss head
HH. .... hex head	PTO. .... power-take-off
HHF. .... hex head flange	RH. .... right hand
HHFTF. .... hex head flange thread forming	ROPS. .... roll-over-protection-system
HJ. .... hex jam	SFH. .... slotted fillister head
HLH. .... hex lag head	SHH. .... slotted hex head
HOC. .... height-of-cut	SHWH. .... slotted hex washer head
HSBH. .... hex socket button head	SPH. .... slotted pan head
HSFH. .... hex socket flat head	SQH. .... square head
HSH. .... hex socket head	SRH. .... slotted round head
HWH. .... hex washer head	STD. .... standard
HWHTF. .... hex washer head thread forming	TAP. .... self tapping
HYD. .... hydraulic	TTH. .... torx truss head

## Footnotes

- |                                     |  |
|-------------------------------------|--|
| ❶ Not illustrated                   | ❷ Not serviced separately                |
| ❸ Included in Repair Kit No. 632809 | ❹ Obtain from your local Tecumseh dealer |

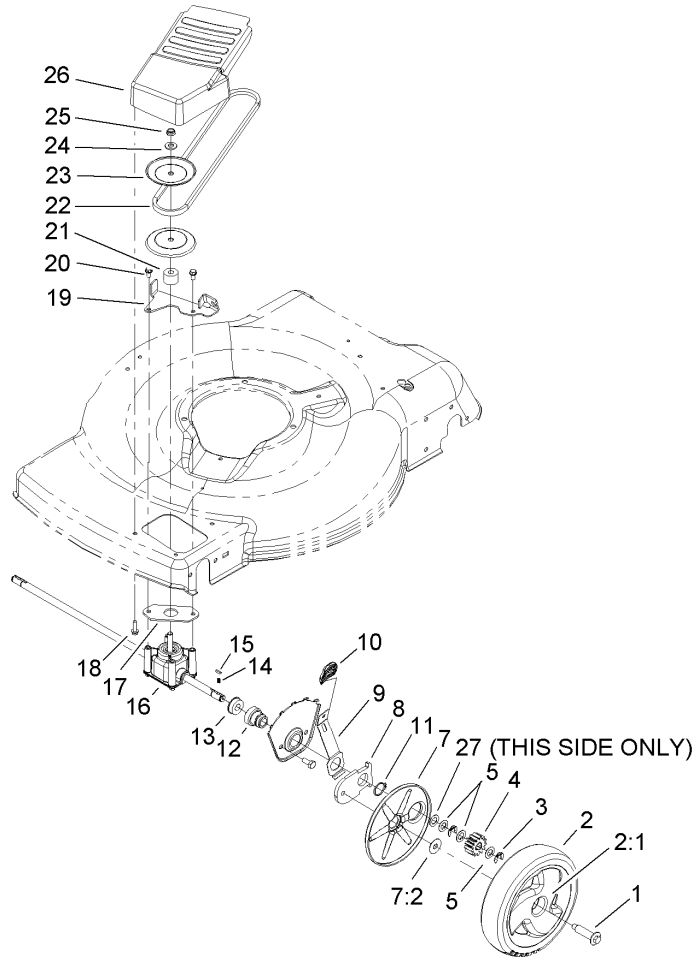


## Deck, Side Chute and Rear Door Assembly

Ref	Part No.	Qty.	Description
1	322-3	4	Screw-HH
2	105-1808-03	2	Plate-HOC, Front
3	104-8694-03	1	Baffle-Front
4	3296-29	8	Nut-Lock, NI
5	104-7915	1	Housing
5:1	105-6838	1	Decal-Danger
6	105-1296	1	Decal-Deck
7	32128-32	2	Nut-HHF
8	3229-11	2	Screw-CARR
9	99-5293	1	Spring-Torsion
10	99-5292	1	Bracket-Cover
11	99-5291	1	Rod-Cover
12	105-3028	1	Chute-Discharge, Side
13	106-8376	1	Discharge Door ASM
13:2	107-0795	1	Latch-Door
13:3	107-7456	1	Cap-Door
13:4	107-7461	1	Screw-Plastite
15	32112-6	1	Nut-Push
16	110-1635	1	11 Inch RH HOC Plate ASM
18	105-3032	1	Spring-Door, Rear
19	105-1323	1	Rear Door ASM
19:2	105-1295	1	Decal-Warning
22	46-6810	1	Screw And Washer ASM
23	46-8091	2	Screw-HWH

Ref	Part No.	Qty.	Description
24	105-1842	1	Plug-Discharge, Rear
25	105-1827	1	Rod-Pivot, Rear Door
27	104-9369	1	Plug-Dome
28	110-1634	1	11 Inch LH HOC Plate ASM
29	105-3006	4	Washer-Stepped
30	105-3047	1	Baffle-Rear



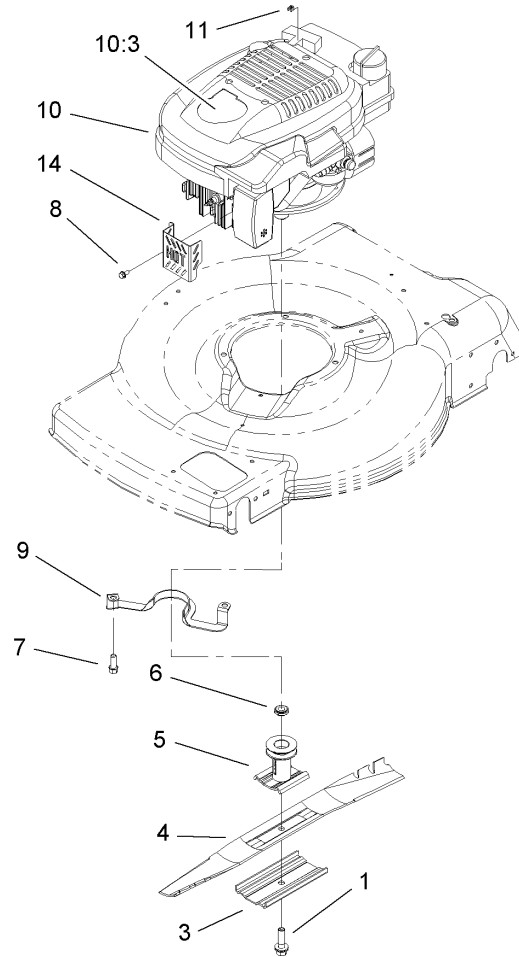


## Front Axle and Transmission Assembly

Ref	Part No.	Qty.	Description
1	614650	2	Bolt-Shoulder
2	105-1815	2	Wheel Gear ASM
2:1	27-6250	2	Bushing
3	65-2720	4	Klipring-Locking
4	104-8670	2	Gear-Pinion, 13T
5	105-6840	6	Washer-Thrust
7	108-3794	2	Cover-Wheel
7:1		1	Cover
7:2	614426	1	Washer-Stepped
8	105-1807	2	Arm-Pivot, Front
9	105-1809	2	Arm-Spring
10	105-3042	2	Knob-Lever, HOC
11	32151-36	2	Ring-Retaining
12	104-8698	2	Retainer-Bearing, HOC
13	104-8699	2	Bearing-Ball
14	39-9650	2	Spring-Compression
15	612066	2	Key
16	106-3955	1	Transmission ASM
17	108-9756	1	Gasket-Gearbox
18	46-8091	2	Screw-HWH
19	105-1833-03	1	Bracket-Pivot, Fwd
20	32144-4	2	Screw-HWH
21	92-5791	1	Spacer
22	91-2258	1	V-Belt

Ref	Part No.	Qty.	Description
23	104-8691	2	Pulley-Half, Front
24	3256-24	1	Washer-Flat
25	3296-5	1	Nut-Lock
26	105-1839	1	Cover-Belt, Front
27	36-4780	1	Washer



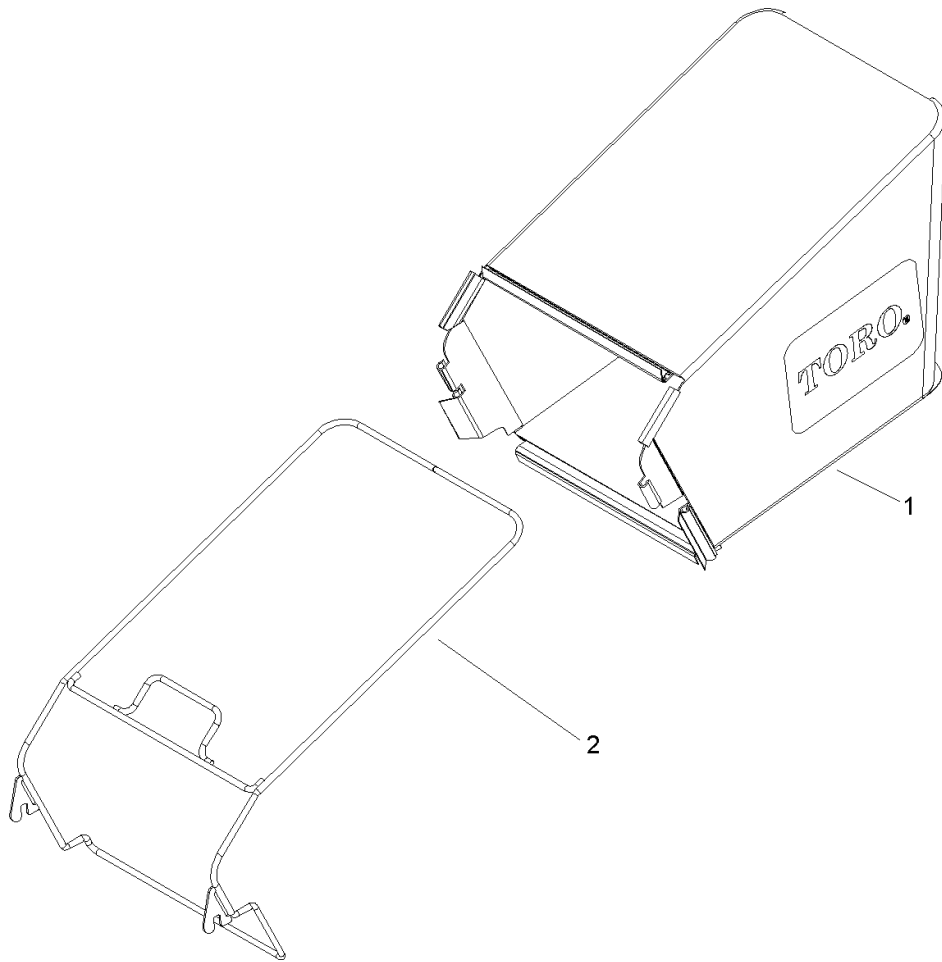


## Engine and Blade Assembly

Ref	Part No.	Qty.	Description				
1	105-8579	1	Bolt-Blade				
3	108-3766-03	1	Support-Blade				
4	104-8697-03	1	Blade-22 Inch				
5	106-3987	1	Blade Driver ASM				
6	106-3999	1	Spacer-Driver				
7	95-1726	3	Screw-Taptite				
8	32144-85	1	Screw-HWH				
9	105-3031-03	1	Guide-Belt				
② ④ 10		1	Engine-Tecumseh, Lev195Ea-362003B				
10:3	105-6815	1	Decal-Recoil				
11	92-1701	1	Stop-Rope				
14	106-8346-03	1	Guard-Muffler				





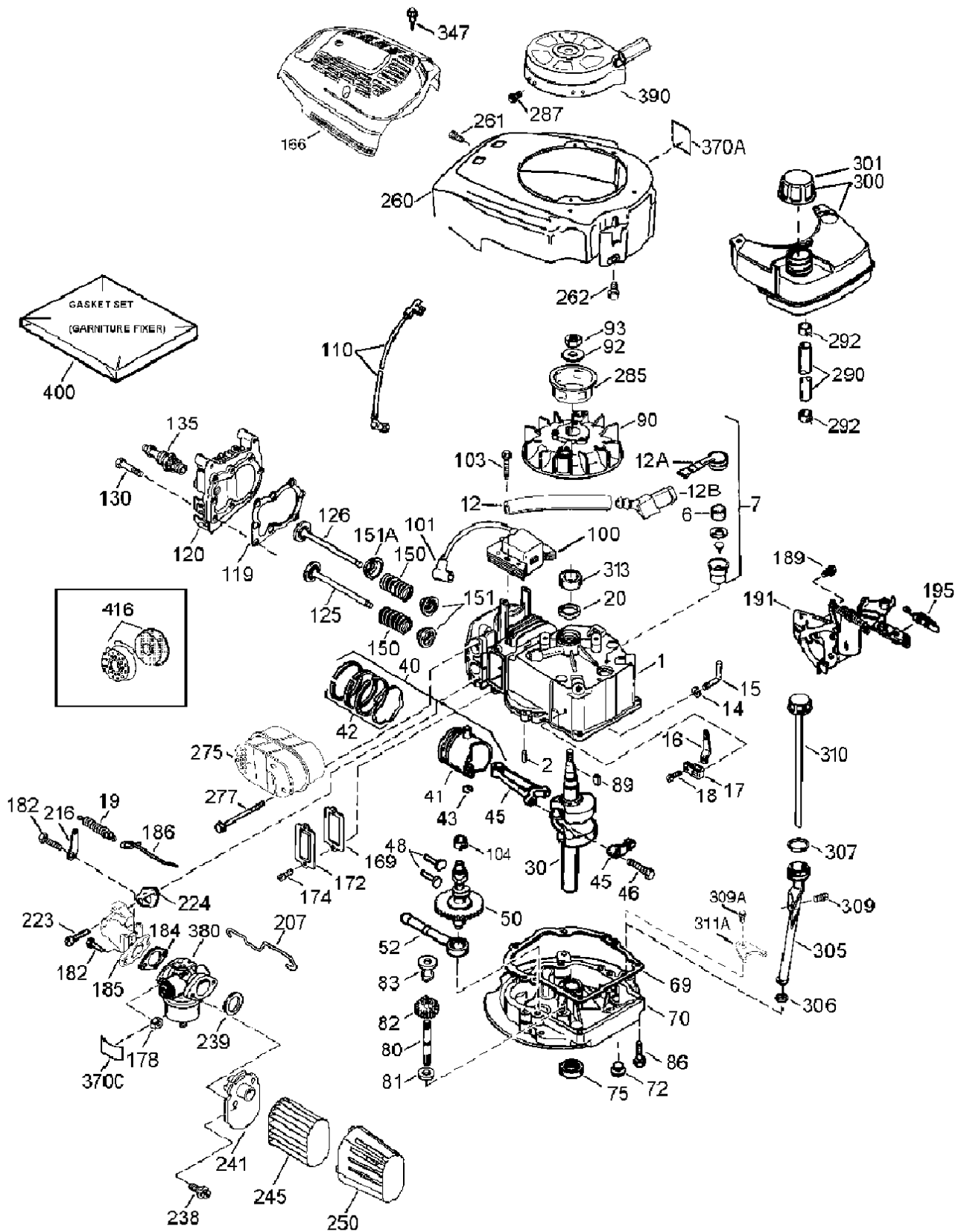


### Rear Bag Assembly

Ref	Part No.	Qty.	Description
1	107-3779	1	Grass Bag ASM
2	107-3785-03	1	Bag Frame ASM

# Engine Assembly

## Tecumseh Lv195ea-362003b



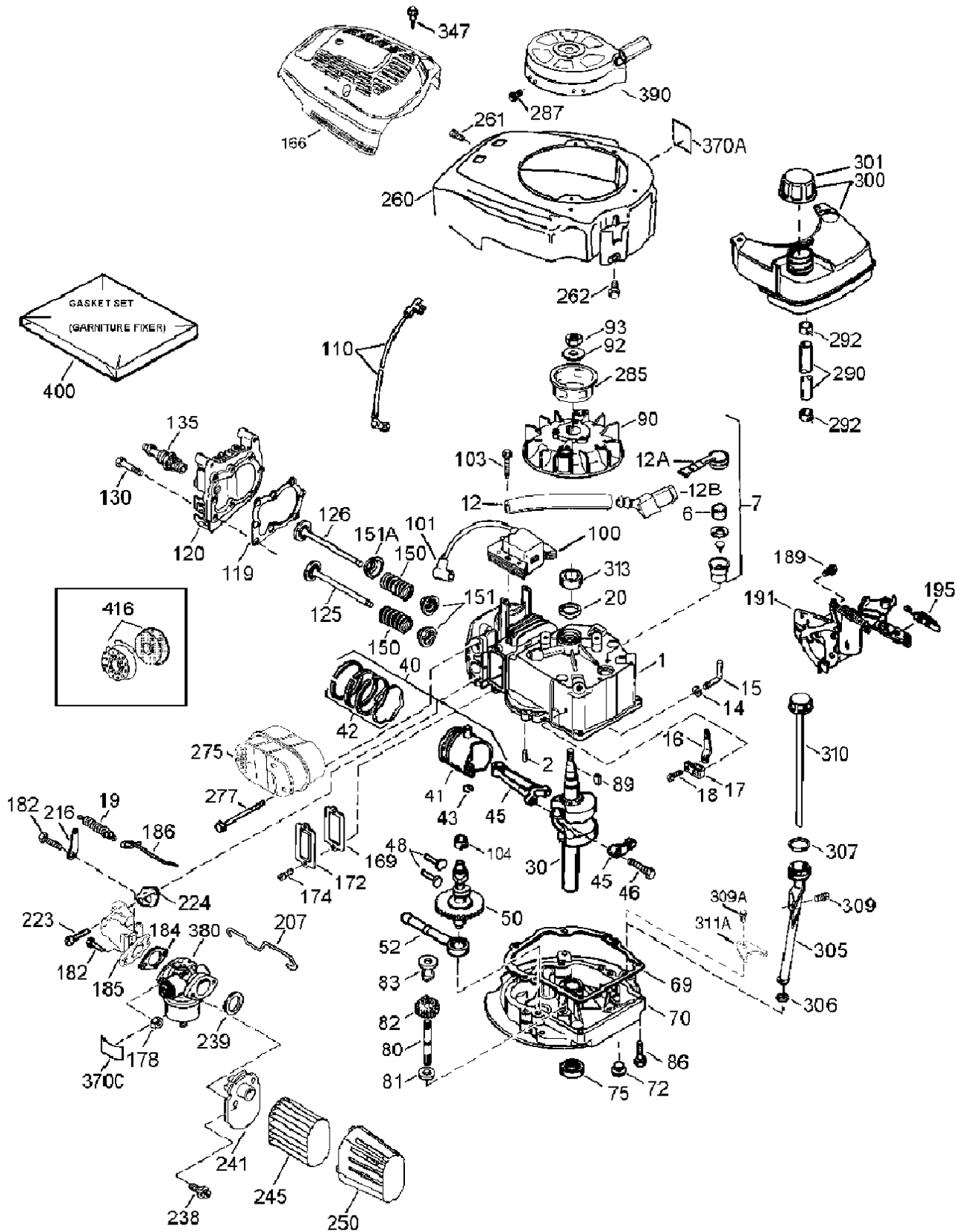
# Engine Assembly

## Tecumseh Lv195ea-362003b

Ref	Part No.	Qty.	Description	Ref	Part No.	Qty.	Description
41	37465	1	Cylinder	4125	37288	1	Valve-Exhaust (STD.) (Incl. Ref. #151)
42	26727	2	Pin-Dowel	4126	37289	1	Valve-Intake (STD.) (Incl. Ref. #151 And 151A)
46	33734	1	Element-Breather	4130	6021A	8	Screw (5/16-18 X 1-7/16In)
47	36557	1	Breather ASM (Incl. Ref. #6 And 12A)	4135	35395	1	Spark Plug-Resistor (Rj19Lm)
412	36775	1	Tube-Breather	4150	31672	2	Spring-Valve
412A	36558	1	Breather Cover And Tube (Incl. Ref. #12B)	4151	31673	2	Cap-Spring, Valve
412B	36694	1	Elbow-Tube, Breather	4151A	40017	1	Seal-Valve, Intake
414	28277	1	Washer	4166	37694	1	Shroud-Engine
415	30589	1	Governor Rod (Incl. Ref. #14)	4*169	36783	1	Gasket-Cover, Valve
416	34839A	1	Lever-Governor	4172	36784	1	Cover-Valve
417	31335	1	Clamp-Lever, Governor	4174	30200	2	Screw (10-24 X 9/16In)
418	651018	1	Screw	4178	29752	2	Nut And Lock Washer ASM
419	36281	1	Spring-Extension	4182	6201	2	Screw (1/4-28 X 7/8In)
420	32600	1	Seal-Oil	4*184	26756	1	Gasket-Carburetor To Intake Pipe
430	37692	1	Crankshaft	4185	37466	1	Pipe-Intake
440	40027	1	Piston Pin And Ring Set (STD)	4186	32653	1	Link-Governor
441	40042	1	Piston And Pin ASM (STD.) (Incl. Ref. # 43)	4189	650839	2	Screw (1/4-20 X 3/8In)
442	40006	1	Ring Set (STD)	4191	36559A	1	Bracket-S.E. Brake (Incl. Ref. #195)
443	20381	2	Ring-Retaining	4195	610973	1	Terminal
445	36777	1	Connecting Rod ASM (Incl. Ref. #46)	4207	34336A	1	Link-Throttle
446	32610A	2	Bolt-Rod, Connecting	4216	33086	1	Lever-Adjusting, R.P.M.
448	27241	2	Lifter-Valve	4223	650451	2	Screw (1/4-20 X 1In)
450	37460	1	Camshaft (Exhaust Mcr) (Incl. Ref. #104)	4*224	36786	1	Gasket-Pipe, Intake
452	29914	1	Oil Pump ASM	4238	650932	2	Screw (10-32 X 49/64In)
4*69	37609	1	Gasket-Flange, Mounting	4*239	34338	1	Gasket-Cleaner, Air
470	37608	1	Flange-Mounting (Incl. Ref. #72-83,306,309A & 311A)	4241	36919	1	Collar-Cleaner, Air
472	37614	1	Plug-Drain, Oil	4245	36905	1	Filter-Cleaner, Air
475	27897	1	Seal-Oil	4250	37122	1	Cover-Cleaner, Air
480	30574A	1	Shaft-Governor	4260	37696A	1	Housing-Blower
481	30590A	1	Washer	4261	30200	2	Screw (10-24 X 9/16In)
482	30591	1	Governor Gear ASM (Incl. Ref. #81)	4262	650831	2	Screw (1/4-20 X 1/2In)
483	30588A	1	Spool-Governor	4275	37498	1	Muffler
486	650488	6	Screw (1/4-20 X 1-1/4In)	4277	650988	2	Screw (1/4-20 X 2-9/32In)
489	611004	1	Key-Flywheel	4285	35000A	1	Cup-Starter
490	611112	1	Flywheel	4287	650926	2	Screw (8-32 X 21/64In)
492	650815	1	Washer-Belleville	4290	29774	1	Line-Fuel
493	650816	1	Nut-Flywheel	4292	26460	2	Clamp-Line, Fuel
4100	34443C	1	Ignition-Solid State	4300	35586A	1	Fuel Tank (Incl. Ref. #292 And 301)
4101	610118	1	Cover-Plug, Spark	4301	36246	1	Cap-Fuel
4103	651007	2	Screw	4305	35647	1	Tube-Fill, Oil
4104	37480	1	Bushing-Cam	4*306	37610	1	O-Ring
4110	37047	1	Wire-Ground	4307	35499	1	O-Ring
4*119	36787	1	Gasket-Cylinder Head	4309	650562	1	Screw (10-32 X 1/2In)
4120	36825	1	Head-Cylinder	4309A	650783	1	Screw (10-24 X 3/4In)
4125	36780	1	Valve-Exhaust (1/32In Os) (Incl. 151)	4310	35648	1	Dipstick
				4311A	37611	1	Bracket-Down, Hold
				4313	34080	1	Spacer
				4347	650898A	1	Screw (10-32 X 27/32In)

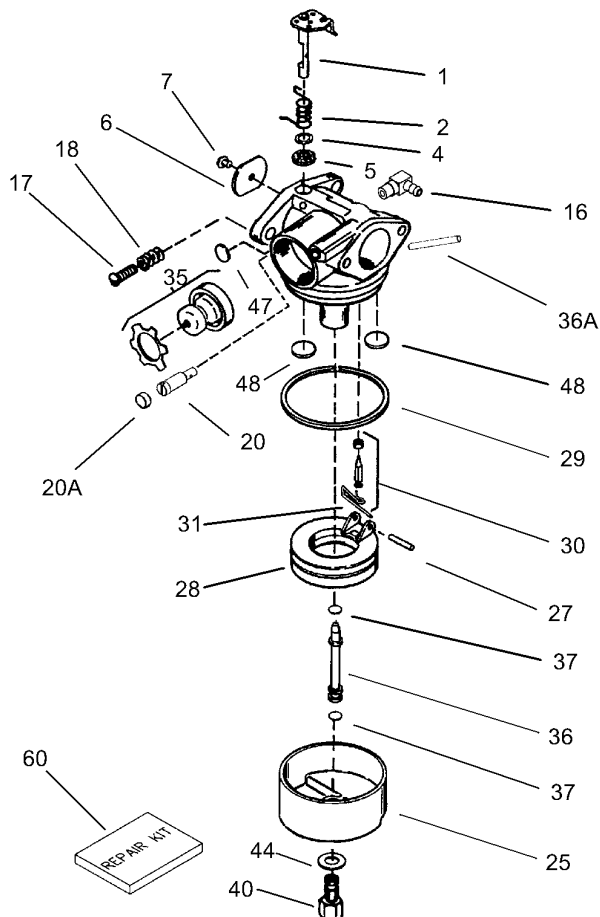
# Engine Assembly

## Tecumseh Lv195ea-362003b (continued)



## Engine Assembly Tecumseh Lv195ea-362003b (continued)

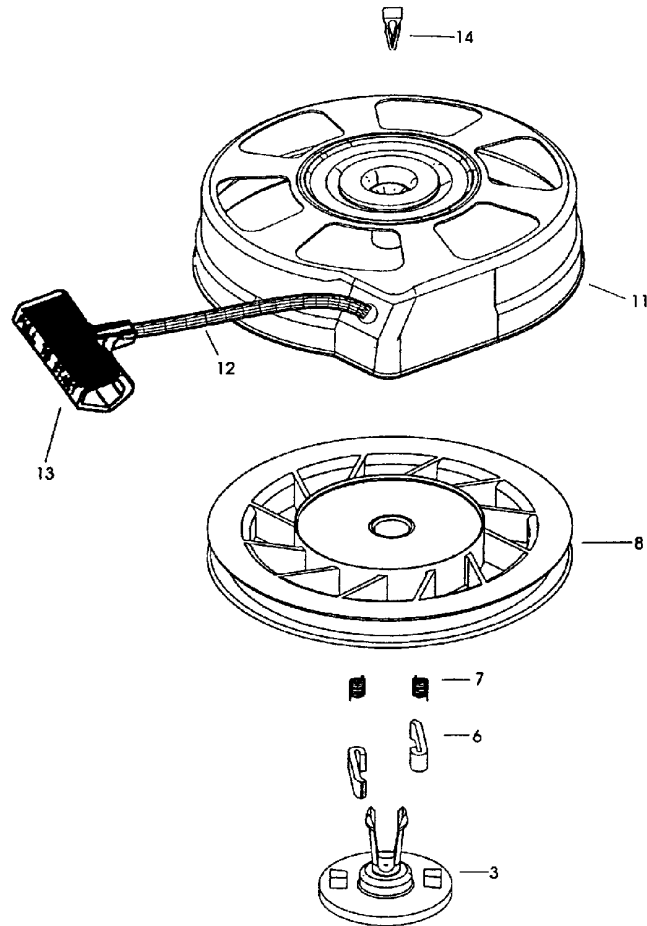
Ref	Part No.	Qty.	Description				
④370	35977	1	Decal-Warning				
④370A	36261	2	Decal-Lubrication				
④370C	37695	1	Decal-Primer				
④380	640303	1	Carburetor (Incl. Ref. #184)				
④390	590739	1	Starter-Rewind				
④400	37613	1	Gasket Set				
④416	37530	1	Spark Arrestor Kit (Optional)				
④	750876	1	Shortblock				



## Carburetor Assembly No. 640303 Tecumseh Lv195ea-362003b

Ref	Part No.	Qty.	Description
④0	640303	1	Carburetor (Incl. Ref. #184 Of Engine Parts List)
④1	631615	1	Throttle Shaft And Lever ASM
④2	631767	1	Spring-Return, Throttle
③④4	631184	1	Washer-Seal, Dust
③④5	631183	1	Seal-Dust, Throttle
④6	640070	1	Shutter-Throttle
③④7	650506	1	Screw-Shutter
④16	631807	1	Fitting-Fuel
④17	651025	1	Screw-Throttle Crack And Idle Speed
④18	630766	1	Spring-Tension
④20	640018	1	Screw-Idle Restrictor
③④20A	640200	1	Cap-Screw, Idle Restrictor
④25	631867	1	Bowl-Float
③④27	631024	1	Shaft-Float
④28	632802	1	Float
③④29	631028	1	O Ring-Bowl, Float
③④30	632807	1	Inlet Needle, Seat, And Clip ASM (Incl. Ref. #31)
③④31	631022	1	Clip-Spring
④35	640259	1	Primer Bulb/Retainer Ring
④36	640019	1	Tube-Main Nozzle
④36A	632766	1	Tube-Carburetor
③④37	632547	2	O Ring-Nozzle Tube, Main

Ref	Part No.	Qty.	Description
④40	640087	1	Nut-High Speed Bowl
③④44	27110A	1	Washer-Nut, Bowl
③④47	630748	1	Plug-Welch, Idle Mixture Well
③④48	631027	2	Plug-Welch, Atmospheric Vent
④60	632809	1	Repair Kit



## Recoil Starter Assembly No. 590739 Tecumseh No. Lv195ea-362003b

Ref	Part No.	Qty.	Description				
④0	590739	1	Starter-Rewind				
④3	590740	1	Retainer				
④6	590616	2	Dog-Starter				
④7	590617	2	Spring-Dog				
④8	590618A	1	Pulley And Rewind Spring ASM				
④11	590638A	1	Starter Housing ASM				
④12	590535	1	Rope-Starter (98In X 9/64In Diameter)				
④13	590701	1	Handle-Starter				
④14	590760	1	Clip-Spring				





## NOTES

# NOTES

# NOTES

