



Plate Kit

For 40in Turbo Force® Cutting Unit for Mid-Size Mowers

Model No. 110-6902

Installation Instructions

Note: Determine the left and right sides of the machine from the normal operating position.

Loose Parts

Use the chart below to verify that all parts have been shipped.

Step	Description	Qty.	Use
1	No parts required	–	Prepare the mower.
2	Plate Bolt, (5/16 x 1 inch) Lock nut, (5/16 inch) Curved washer, (5/16 inch)	1 2 2 2	Install the plate.

Step

1

Preparing the Mower

No Parts Required

Procedure

1. Thoroughly clean mower deck. All debris must be removed to ensure the plate will fit properly against the mower deck.
2. Repair all bent or damaged areas of the mower deck and replace any missing parts.

Step

2

Installing the Plate

Parts needed for this step:

1	Plate
2	Bolt, (5/16 x 1 inch)
2	Lock nut, (5/16 inch)
2	Curved washer, (5/16 inch)

Procedure

Install the plate on top of the front lip at the left corner with 2 bolts (5/16 x 1 inch), 2 curved washers (5/16 inch) and 2 nuts (5/16 inch) (Figure 1).

Note: Ensure the plate is installed as shown in Figure 1.

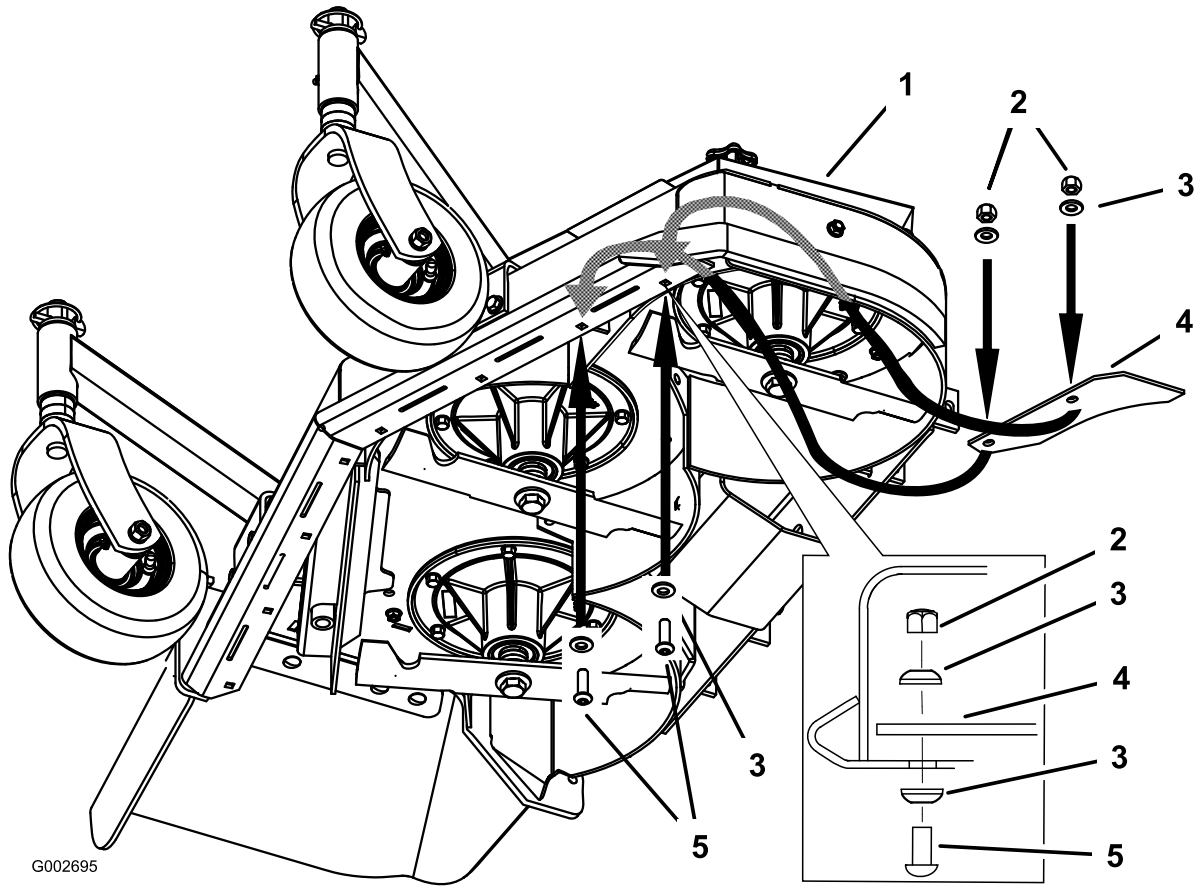


Figure 1

1. Mower deck
2. Nut, (5/16 inch)

3. Curved washer, (5/16 inch)
4. Plate

5. Bolt, (5/16 x 1 inch)