



52in Recycler[®] Kit

For Turbo Force[®] Cutting Unit for Mid-Size Mowers

Model No. 110-2040

Installation Instructions

Note: Determine the left and right sides of the machine from the normal operating position.

Safety

Side Discharge or Mulch Grass



Without the grass deflector, discharge cover, or complete grass catcher assembly mounted in place, you and others are exposed to blade contact and thrown debris. Contact with rotating mower blade(s) and thrown debris will cause injury or death.

- Never remove the grass deflector from the mower because the grass deflector routes material down toward the turf. If the grass deflector is ever damaged, replace it immediately.
- Never put your hands or feet under the mower.
- Never try to clear the discharge area or mower blades unless you disengage the power take off (PTO) lever and turn the ignition key to off. Also remove the key and pull the wire off the spark plug(s).

Ensure the mower has the hinged grass deflector that disperses clippings to the side and down toward the turf, while in side discharge mode.

To mulch grass clippings, the baffles must be installed into the mower as shown in the following steps.

Installation

Loose Parts

Use the chart below to verify that all parts have been shipped.

Step	Description	Qty.	Use
1	No parts required	–	Prepare the mower.
2	No parts required	–	Remove the existing blades.
3	No parts required	–	Remove the existing baffles.
4	Discharge plate Bolt (3/8 x 1 inch) Flange nut (3/8 inch)	1 2 2	Install the discharge plate.
5	Left baffle Center baffle Right baffle Bolt, (3/8 x 7/8 inch) Flange nut, (3/8 inch) Bolt, (3/8 x 1 inch) Washer, (13/32 inch) Locknut, (3/8 inch)	1 1 1 8 8 1 1 1	Install the baffles.
6	Recycler blades	3	Install the new blades.

Step **1**

Preparing the Mower

No Parts Required

Procedure

1. Thoroughly clean mower deck. All debris must be removed to ensure baffles will fit properly against mower deck.
2. Repair all bent or damaged areas of mower deck and replace any missing parts.

Step **2**

Removing the Existing Blades

No Parts Required

Procedure

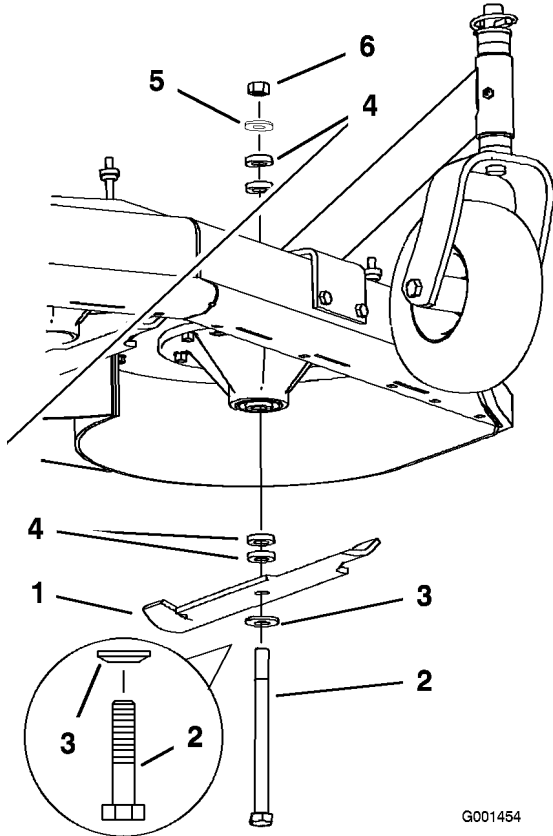
Remove the existing blades from the spindles (Figure 1).

Note: Save the blades for use when in side discharging mode. Use the blade bolt and washer for installing the recycler blades in Step 4.



A blade is sharp. Contact with sharp blade can cause serious personal injury.

Wear gloves or wrap sharp edges of the blade with a rag.



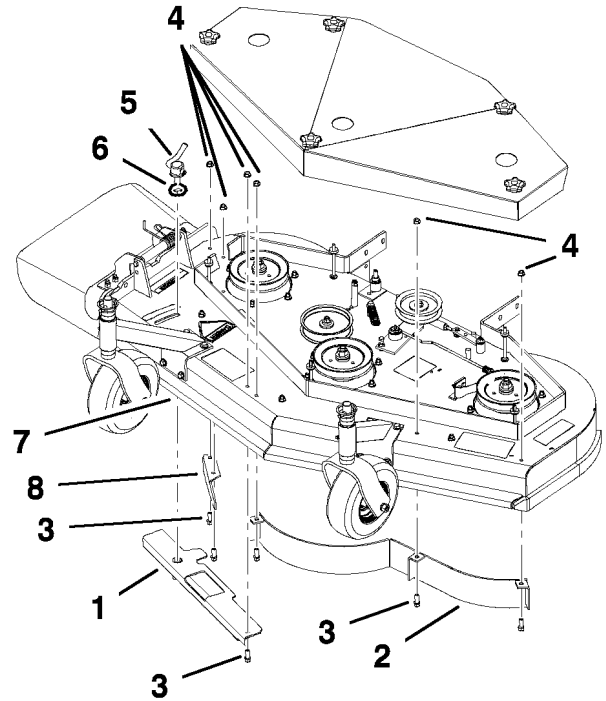
G001454

Figure 1

- | | |
|------------------|----------------|
| 1. Blade | 4. Spacer |
| 2. Blade bolt | 5. Thin washer |
| 3. Curved washer | 6. Nut |

1. Remove the flange nuts holding the baffles in place (Figure 2).
2. Remove the cam lock and washer by unscrewing it from the adjustable flow baffle (Figure 2).
3. Remove the six bolts holding the baffles in place (Figure 2).

Note: Save the baffles and hardware for use when changing to side discharging mode.



G002608

Figure 2

- | | |
|---------------------------|---------------------|
| 1. Adjustable Flow Baffle | 5. Cam lock |
| 2. Left front baffle | 6. Washer |
| 3. Bolt | 7. Mower deck |
| 4. Flange Nut | 8. Discharge baffle |

Step

3

Removing the Existing Baffles

No Parts Required

Procedure

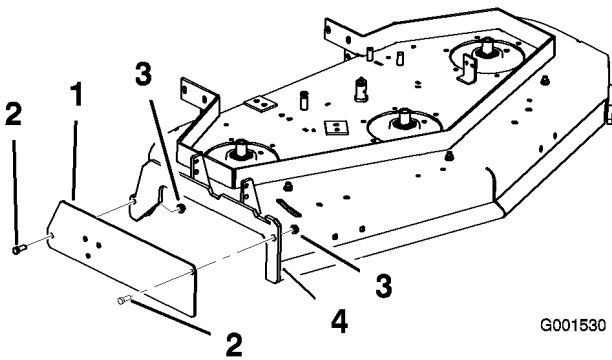
Note: In the steps below, the bolts are threaded into the mower deck. Remove the nuts first before removing bolts.

Step**4****Installing the Discharge Plate****Parts needed for this step:**

1	Discharge plate
2	Bolt (3/8 x 1 inch)
2	Flange nut (3/8 inch)

Procedure

Install the discharge plate to the outside of the mounting bracket with 2 bolts (3/8 x 1 inch) and 2 nuts (3/8 inch) (Figure 3).

**Figure 3**

1. Discharge plate 2. Bolt (3/8 x 1 inch) 3. Nut (3/8 inch) 4. Mounting bracket

Step**5****Installing the Baffles****Parts needed for this step:**

1	Left baffle
1	Center baffle
1	Right baffle
8	Bolt, (3/8 x 7/8 inch)
8	Flange nut, (3/8 inch)
1	Bolt, (3/8 x 1 inch)
1	Washer, (13/32 inch)
1	Locknut, (3/8 inch)

Procedure

Note: All holes exist in the mower deck for installing the new baffles.

Note: Loosely install the baffles to align the baffles with all existing holes in the mower.

1. Install the right baffle into the mower.
2. Loosely install the right baffle to the mower deck with 2 bolts (3/8 x 7/8 inch) and 2 flange nuts (3/8 inch) (Figure 4).
3. Loosely install the right baffle to the discharge plate with 1 bolt (3/8 x 7/8 inch) and 1 flange nut (3/8 inch) (Figure 4).
4. Install the left baffle into the mower.
5. Loosely install the left baffle to the mower deck with 2 bolts (3/8 x 7/8 inch) and 2 flange nuts (3/8 inch) (Figure 4).
6. Loosely install the left baffle to the left front of the mower deck with 1 bolt (3/8 x 1 inch), 1 washer (13/32 inch), and 1 locknut (3/8 inch) (Figure 4).

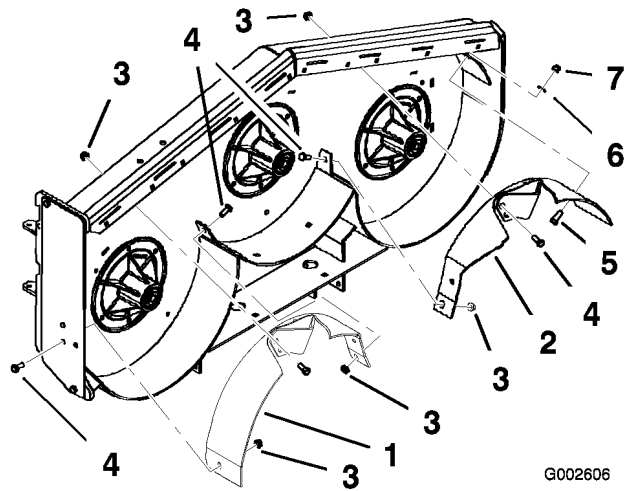


Figure 4

- | | | | |
|-----------------|---------------------------|-------------------------|------------------------|
| 1. Right baffle | 3. Flange nut, (3/8 inch) | 5. Bolt, (3/8 x 1 inch) | 7. Locknut, (3/8 inch) |
| 2. Left baffle | 4. Bolt, (3/8 x 7/8) | 6. Washer, (13/32 inch) | |

-
- | | |
|--|---|
| 7. Install the center baffle into the mower. | 9. Loosely install the center baffle to the right baffle with 1 bolt (3/8 x 7/8 inch) and 1 flange nut (3/8 inch) (Figure 5). |
| 8. Loosely install the center baffle to the left baffle with 1 bolt (3/8 x 7/8 inch) and 1 flange nut (3/8 inch) (Figure 5). | 10. Loosely install the center baffle to the top of the mower deck with 1 bolt (3/8 x 7/8 inch) and 1 flange nut (3/8 inch) (Figure 5). |

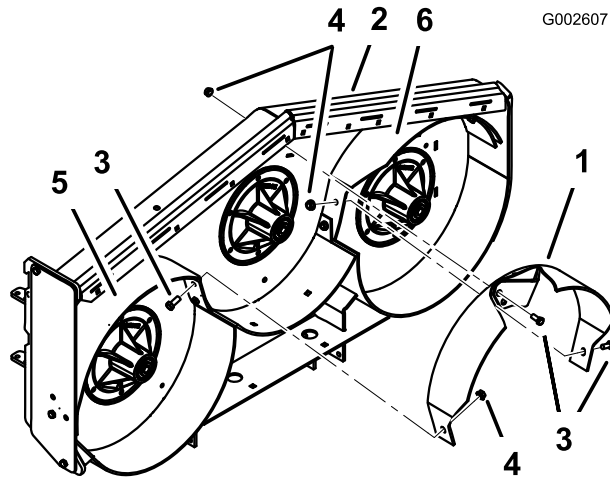


Figure 5

- | | | |
|------------------|---------------------------|-----------------|
| 1. Center baffle | 3. Bolt, (3/8 x 7/8) | 5. Right baffle |
| 2. Mower deck | 4. Flange nut, (3/8 inch) | 6. Left baffle |

Step

6

Installing the New Blades

Parts needed for this step:

3	Recycler blades
---	-----------------

Procedure

Important: The sail part of the blade (i.e., the turned up section) must face the inside of the mower (Figure 6).

1. Adjust the blades by using the 4 spacers (1/4 inch) spacers on the blade spindle bolts; refer to the Operator's Manual.
2. Install the new blades to the spindles with washers and blade bolts that were previously removed (Figure 6).
3. Tighten the blade bolt to 75-80 ft-lb (101-108 N·m).
4. Rotate the blades and ensure there is clearance between the blades and the baffles.
5. Tighten all bolts and nuts (Figure 4 and Figure 5).

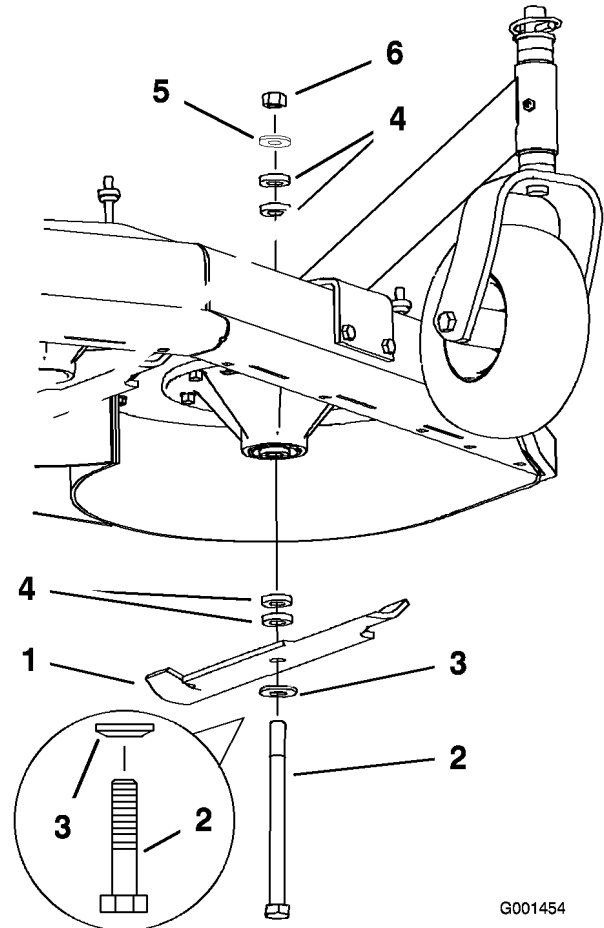


Figure 6

- | | |
|------------------|----------------|
| 1. Blade | 4. Spacer |
| 2. Blade bolt | 5. Thin washer |
| 3. Curved washer | 6. Nut |



A blade is sharp. Contact with sharp blade can cause serious personal injury.

Wear gloves or wrap sharp edges of the blade with a rag.

Operation

Selecting the Proper Height-of-Cut

Remove approximately one inch or no more than 1/3 of the grass blade when cutting. In exceptionally lush and dense grass you may need to raise the height-of-cut setting or convert to side discharge or bagging operations.

Mowing in Extreme Conditions

Air is required to cut and recut grass clippings in the mower housing, so do not set the height-of-cut too low or totally surround the housing by uncut grass. Always try to have one side of the mower

housing free from uncut grass, allowing air to be drawn into the housing. When making an initial cut through the center of an uncut area, operate the machine slower and back up if the mower starts to clog.

Mowing at Proper Intervals

Under most normal conditions you will need to mow every 4–5 days. However, grass grows at different rates at different times. Thus, in order to maintain the same height-of-cut, which is a good practice, you'll need to cut more frequently in early spring; as the grass growth rate slows in mid summer, cut only every 8–10 days. If you are unable to mow for an extended period due to weather conditions or other reasons, convert to side discharge or bagging options or mow first with the height-of-cut at a high level; then mow again 2–3 days later with a lower height setting.

Mowing with Sharp Blades

A sharp blade cuts cleanly and without tearing or shredding the grass. A dull blade will tear and shred the grass. Tearing and shredding causes the grass to turn brown at the edges which impairs growth and increases susceptibility to disease.

After Operating

To ensure optimum performance, clean the underside of the mower housing after each use. If residue is allowed to build up in the mower housing, cutting performance will decrease.



Count on it.