



Standard Bucket Tooth Bar

for Compact Utility Loaders, Standard Buckets

Part No. 104-1990

Form No. 3353-871 Rev A

Installation Instructions

Loose Parts

Note: Use the chart below to identify parts for assembly.

Description	Qty.	Use
Tooth bar	1	Installing the kit
Bolt	2	
Locknut	2	
Washer	4	

Installing the Tooth Bar

- Slide the tooth bar onto the bucket with the right and left tabs positioned inside the bucket and the cutting edge of the bucket seated into the tooth bar (Fig. 1).

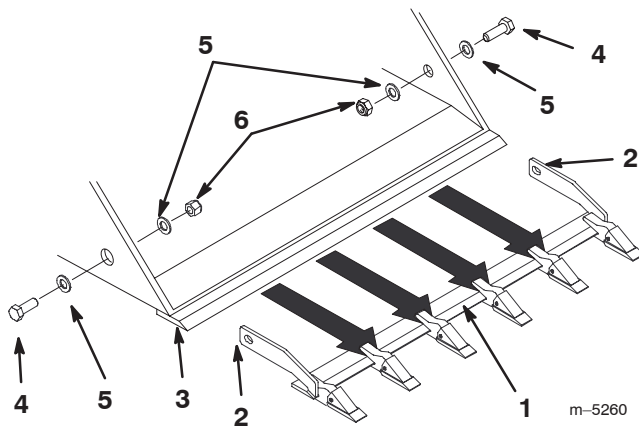


Figure 1

- | | |
|--------------|------------|
| 1. Tooth bar | 4. Bolt |
| 2. Tab | 5. Washer |
| 3. Bucket | 6. Locknut |

- Mark the position of the oval hole in each tab on the bucket.
- Drill 2 holes (7/8 in.) so that the back of the holes are flush with the back of the ovals in the tabs.
- Secure the tooth bar to the bucket using 2 bolts, 4 washers, and 2 locknuts (Fig. 1).

Tightening the Tool Bar

If the tooth bar becomes loose, loosen the mounting bolts, push the tool bar onto the bucket until it is tight, and tighten the mounting bolts.

Replacing a Damaged Tooth

Inspect the teeth regularly. Replace any worn or damaged teeth.

1. Using a hammer and punch, drive out the roll pin securing the damaged tooth and remove the tooth (Fig. 2).

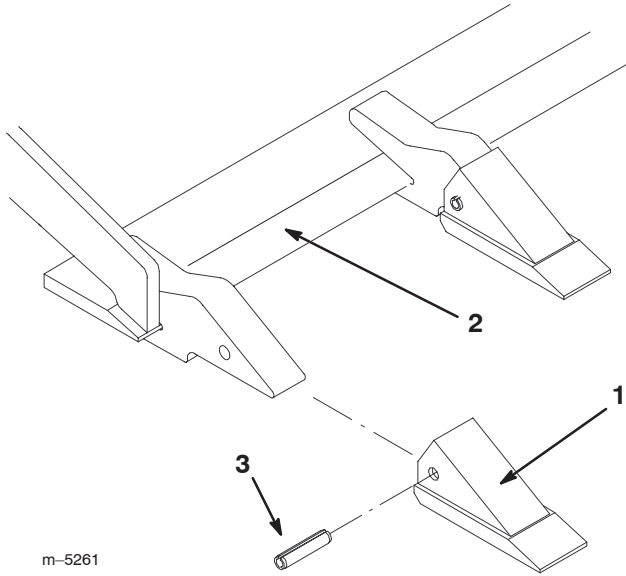


Figure 2

1. Tooth
2. Tooth bar
3. Roll pin

-
2. Slide the new tooth into position on the tooth bar and secure it with a roll pin (Fig. 2).