



## 48in Hydraulic Blade Compact Utility Loaders

Model No. 22414 - 220000001 and up.

### Parts Catalog

---

#### Ordering Replacement Parts

To order replacement parts, please supply the part number, the quantity, and the description of each part desired.

#### Understanding Reference Numbers

Each identified part in an illustration has a reference number. The reference number for a part also appears in the parts list, along with other information about the part.

This catalog uses two special reference number formats, one to indicate parts in a service assembly and another to indicate the quantity of a given part in an illustration.

#### Service Assembly Reference Numbers

Parts in service assemblies have reference numbers in the form a:b. The a represents the reference number of the entire service assembly and the b represents a sequential number unique to each part within the service assembly.

For example, a wheel assembly might be identified by reference number 6, the tire by 6:1, the valve by 6:2, and the wheel by 6:3. When you order the assembly identified by reference number 6, you receive all parts identified by reference numbers 6:1, 6:2, and 6:3. However, you may also order any part individually. Reference numbers of this type appear in illustrations and in part lists.

#### Reference Numbers Indicating Quantity

In an illustration, if a reference number indicates more than one part, the reference number has the form nX y. The n represents the quantity of the part, the X is the multiplication symbol, and the y represents the reference number.

For example, in an illustration, the reference number 2X 37 means that two of the parts identified by reference number 37 are indicated.

# Contents

| Description                             | Page    | Description                      | Page    |
|---|---------|----------------------------------|---------|
| Hydraulic Blade Assembly                | ..... 3 | Attachments and Accessories List | ..... 5 |
| Hydraulic Cylinder Assembly No. 98-9942 | ..... 4 |                                  |         |

## Part Description Abbreviations

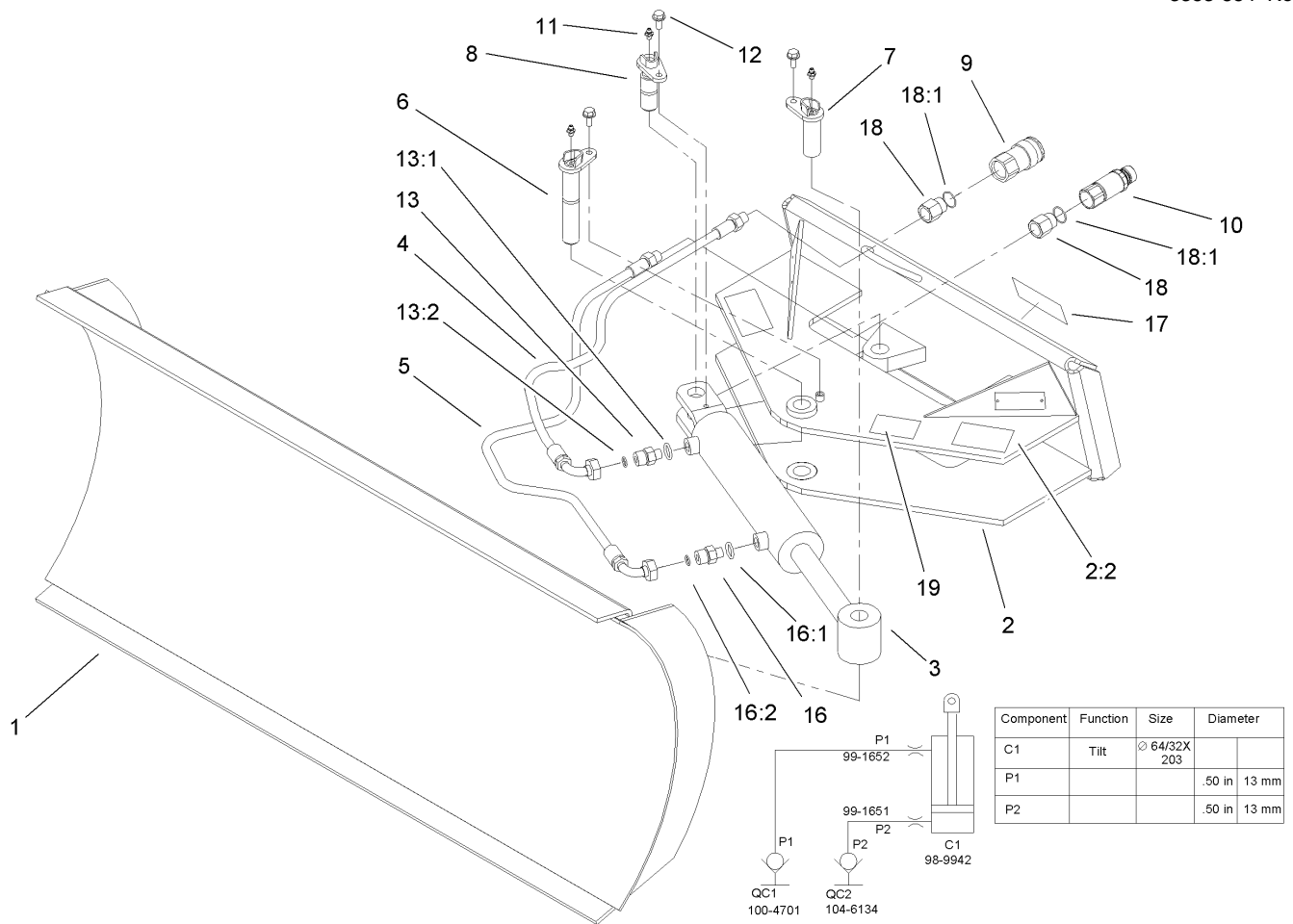
Part descriptions in this catalog may include the following abbreviations.

|  |  |
|--|--|
| AR. .... as required                       | INC. .... incorporated                       |
| ASM. .... assembly                         | LH. .... left hand                           |
| BBC. .... blade brake clutch               | NI. .... nylon insert                        |
| CARR. .... carriage                        | NPTF. .... national pipe thread fine         |
| DEG. .... degrees                          | PFH. .... phillips flat head                 |
| EXT. .... external                         | PPH. .... phillips pan head                  |
| FH. .... flat head                         | PPHTF. .... phillips pan head thread forming |
| GA. .... gauge                             | PRH. .... phillips round head                |
| HF. .... hex flange                        | PTH. .... phillips truss head                |
| HH. .... hex head                          | PTO. .... power-take-off                     |
| HHF. .... hex head flange                  | RH. .... right hand                          |
| HHFTF. .... hex head flange thread forming | ROPS. .... roll-over-protection-system       |
| HJ. .... hex jam                           | SFH. .... slotted fillister head             |
| HLH. .... hex lag head                     | SHH. .... slotted hex head                   |
| HOC. .... height-of-cut                    | SHWH. .... slotted hex washer head           |
| HSBH. .... hex socket button head          | SPH. .... slotted pan head                   |
| HSFH. .... hex socket flat head            | SQH. .... square head                        |
| HSH. .... hex socket head                  | SRH. .... slotted round head                 |
| HWH. .... hex washer head                  | STD. .... standard                           |
| HWHTF. .... hex washer head thread forming | TAP. .... self tapping                       |
| HYD. .... hydraulic                        | TTH. .... torx truss head                    |

## Footnotes

❶ Not illustrated

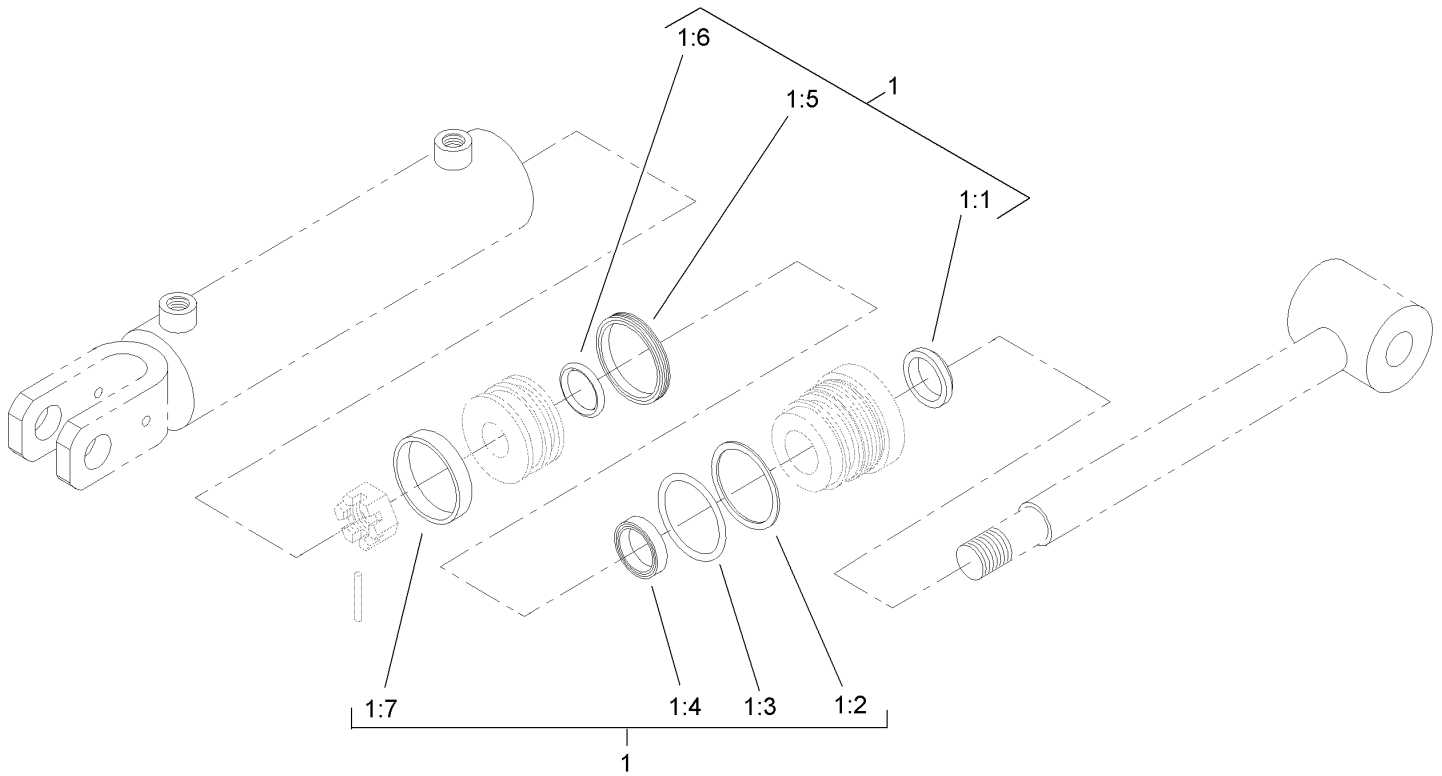
❷ Not serviced separately



## Hydraulic Blade Assembly

| Ref   | Part No.   | Qty. | Description              |
|-------|------------|------|--------------------------|
| 1     | 98-8240-03 | 1    | Blade ASM                |
| 2     | 99-4306    | 1    | Blade Pivot ASM          |
| 2:2   | 100-4650   | 2    | Decal-Warning            |
| 3     | 98-9942    | 1    | Cylinder-HYD             |
| 4     | 99-1651    | 1    | HYD Hose ASM             |
| 5     | 99-1652    | 1    | HYD Hose ASM             |
| 6     | 94-1598    | 1    | Pin-Pivot                |
| 7     | 94-9797    | 1    | Pin-Pivot                |
| 8     | 99-1414    | 1    | Pin-Pivot                |
| 9     | 104-6134   | 1    | Coupler-Face, Flush      |
| ●9:1  | 105-8396   | 1    | Seal Kit                 |
| 10    | 100-4701   | 1    | Nipple-Connect, Pressure |
| ●10:1 | 100-6120   | 1    | Seal Kit                 |
| 11    | 302-5      | 3    | Fitting-Grease           |
| 12    | 32144-70   | 3    | Screw-HH                 |
| 13    | 340-5      | 1    | Fitting-Straight         |
| 13:1  | 237-42     | 1    | O-Ring                   |
| 13:2  | 237-30     | 1    | O-Ring                   |
| 16    | 99-1650    | 1    | Connector-Straight       |
| 16:1  | 237-42     | 1    | O-Ring                   |
| 16:2  | 237-30     | 1    | O-Ring                   |
| 17    | 98-3206    | 1    | Decal                    |
| 18    | 100-4617   | 2    | Adapter-HYD              |
| 18:1  | 237-80     | 1    | O-Ring                   |

| Ref | Part No. | Qty. | Description |
|-----|----------|------|-------------|
| 19  | 98-3269  | 1    | Decal       |



## Hydraulic Cylinder Assembly No. 98-9942

| Ref  | Part No. | Qty. | Description  |
|------|----------|------|--------------|
| 1    | 99-1352  | 1    | Kit-Seal     |
| ②1:1 |          | 1    | Seal-Shaft   |
| ②1:2 |          | 1    | Ring-Back Up |
| ②1:3 |          | 1    | O-Ring       |
| ②1:4 |          | 1    | Seal         |
| ②1:5 |          | 1    | Seal         |
| ②1:6 |          | 1    | O-Ring       |
| ②1:7 |          | 1    | Wiper        |

# Attachments and Accessories

For 22414 - 48in Hydraulic Blade, Compact Utility Loaders

**Product Name**

**Model/Part**

Coupler Kit ..... 106-7695

# NOTES

# NOTES

