



## 22in Recycler<sup>®</sup> Lawnmower

Model No. 20017 - 240000001 and up.

### Parts Catalog

---

#### Ordering Replacement Parts

To order replacement parts, please supply the part number, the quantity, and the description of each part desired.

#### Understanding Reference Numbers

Each identified part in an illustration has a reference number. The reference number for a part also appears in the parts list, along with other information about the part.

This catalog uses two special reference number formats, one to indicate parts in a service assembly and another to indicate the quantity of a given part in an illustration.

#### Service Assembly Reference Numbers

Parts in service assemblies have reference numbers in the form a:b. The a represents the reference number of the entire service assembly and the b represents a sequential number unique to each part within the service assembly.

For example, a wheel assembly might be identified by reference number 6, the tire by 6:1, the valve by 6:2, and the wheel by 6:3. When you order the assembly identified by reference number 6, you receive all parts identified by reference numbers 6:1, 6:2, and 6:3. However, you may also order any part individually. Reference numbers of this type appear in illustrations and in part lists.

#### Reference Numbers Indicating Quantity

In an illustration, if a reference number indicates more than one part, the reference number has the form nX y. The n represents the quantity of the part, the X is the multiplication symbol, and the y represents the reference number.

For example, in an illustration, the reference number 2X 37 means that two of the parts identified by reference number 37 are indicated.

## Contents

Description	Page	Description	Page
Housing Assembly	..... 3	Engine Assembly Tecumseh Lv195ea-362003b (continued)	..... 12
Front Axle and Wheel Assembly	..... 4	Recoil Starter Assembly No. 590739 Tecumseh No. Lv195ea-362003b	..... 14
Rear Axle and Transmission Assembly	..... 5	Recoil Starter Assembly No. 590702 (Optional) Tecumseh Lv195ea-362003b	..... 15
Transmission Assembly No. 106-3956	..... 6	Carburetor Assembly No. 640303 Tecumseh Model No. Lv195ea-362003b	..... 16
Engine and Blade Assembly	..... 7		
P2P Handle Assembly	..... 8		
Rear Bag Assembly	..... 9		
Engine Assembly Tecumseh Lv195ea-362003b	..... 10		

## Part Description Abbreviations

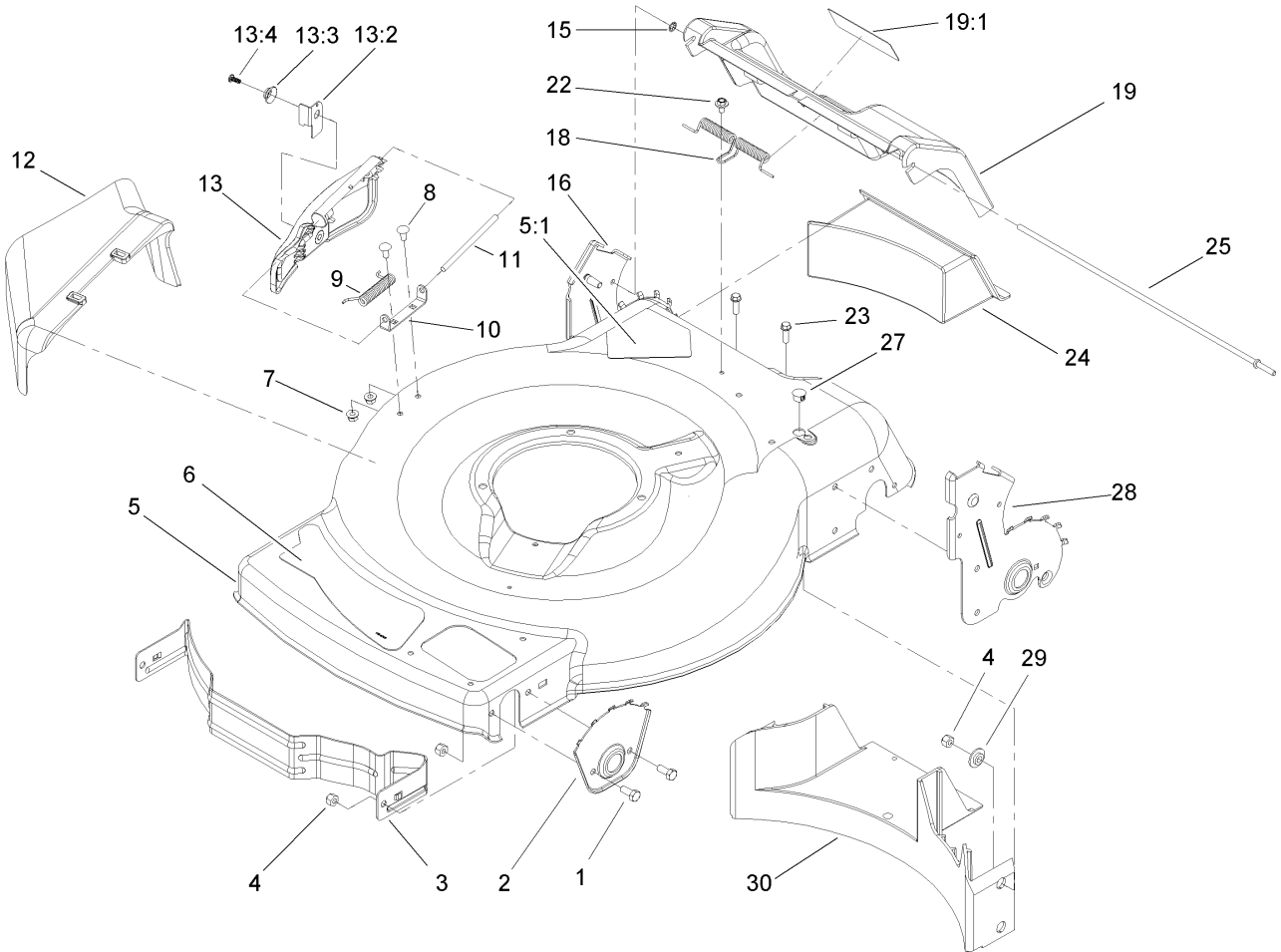
Part descriptions in this catalog may include the following abbreviations.

AR. .... as required	HWHTF. .... hex washer head thread forming
ASM. .... assembly	HYD. .... hydraulic
BBC. .... blade brake clutch	INC. .... incorporated
CARR. .... carriage	LH. .... left hand
DEG. .... degrees	NI. .... nylon insert
EXT. .... external	NPTF. .... national pipe thread fine
FH. .... flat head	PPH. .... phillips pan head
GA. .... gauge	PPHTF. .... phillips pan head thread forming
HF. .... hex flange	PRH. .... phillips round head
HH. .... hex head	PTH. .... phillips truss head
HHF. .... hex head flange	PTO. .... power take off
HHFTF. .... hex head flange thread forming	RH. .... right hand
HJ. .... hex jam	ROPS. .... roll over protection system
HLH. .... hex lag head	SFH. .... slotted fillister head
HOC. .... height-of-cut	SHH. .... slotted hex head
HSBH. .... hex socket button head	SHWH. .... slotted hex washer head
HSFH. .... hex socket flat head	SPH. .... slotted pan head
HSH. .... hex socket head	SQH. .... square head
HWH. .... hex washer head	

## Footnotes

❶ Not serviced separately

❷ Obtain from your local Tecumseh dealer

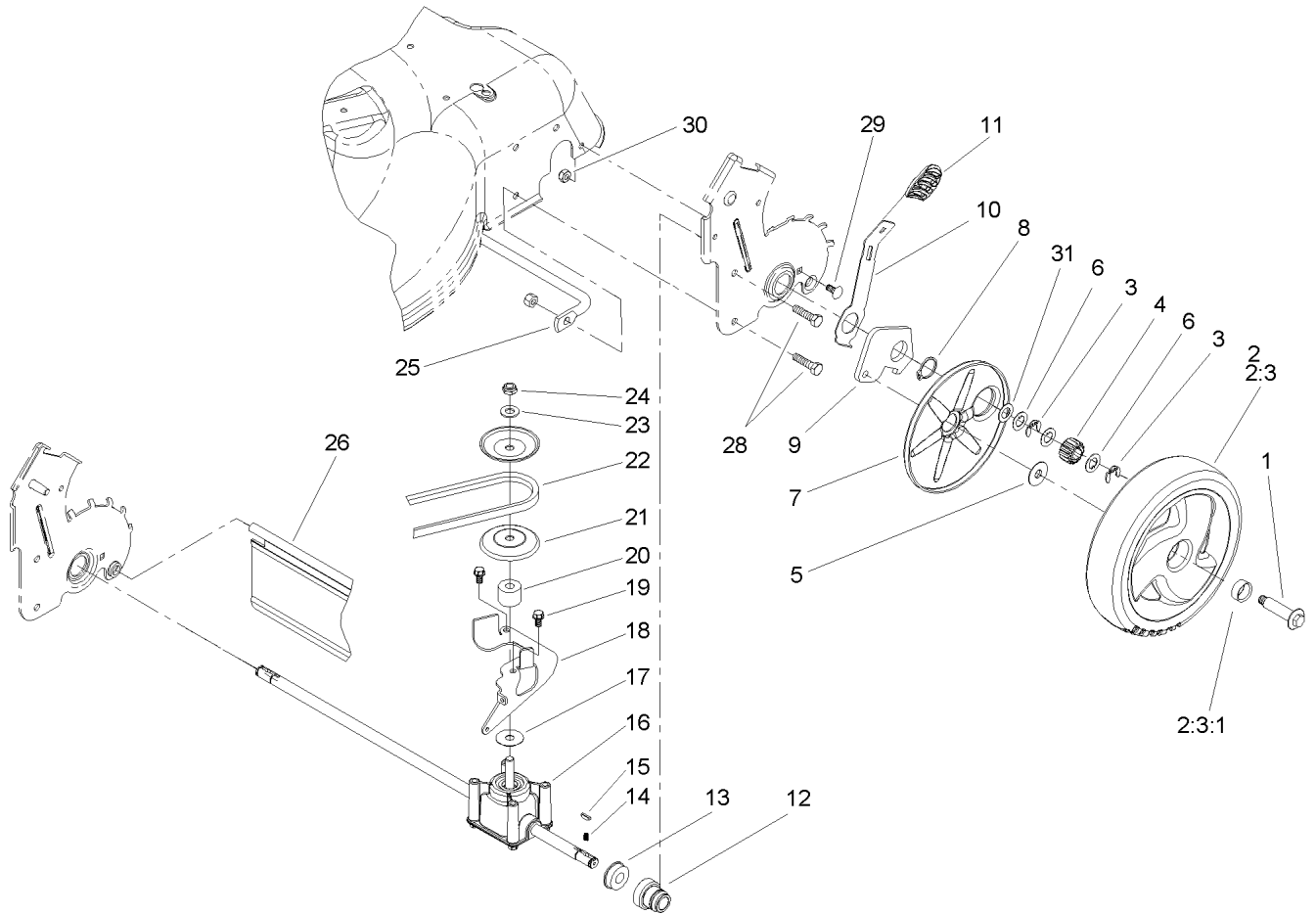


## Housing Assembly

Ref	Part No.	Qty.	Description
1	322-3	4	Screw-HH
2	105-1808-03	2	Plate-HOC, Front
3	104-8694-03	1	Baffle-Front
4	3296-29	8	Nut-Lock, NI
5	104-7915	1	Housing
5:1	105-6838	1	Decal-Danger
6	105-1297	1	Decal-Deck
7	32128-32	2	Nut-HHF
8	3229-11	2	Screw-CARR
9	99-5293	1	Spring-Torsion
10	99-5292	1	Bracket-Cover
11	99-5291	1	Rod-Cover
12	105-3028	1	Chute-Discharge, Side
13	106-8376	1	Discharge Door ASM
13:2	107-0795	1	Latch-Door
13:3	107-7456	1	Cap-Door
13:4	107-7461	1	Screw-Plastite
15	32112-6	1	Nut-Push
16	107-0790	1	RH Rear HOC Plate ASM
18	105-3032	1	Spring-Door, Rear
19	105-1323	1	Rear Door ASM
19:1	105-1295	1	Decal-Warning
22	46-6810	1	Screw And Washer ASM
23	46-8091	2	Screw-HWH

Ref	Part No.	Qty.	Description
24	105-1842	1	Plug-Discharge, Rear
25	105-1827	1	Rod-Pivot, Rear Door
27	104-9369	1	Plug-Dome
28	107-0783	1	LH Rear HOC Plate ASM
29	105-3006	4	Washer-Stepped
30	105-1834	1	Baffle-Rear

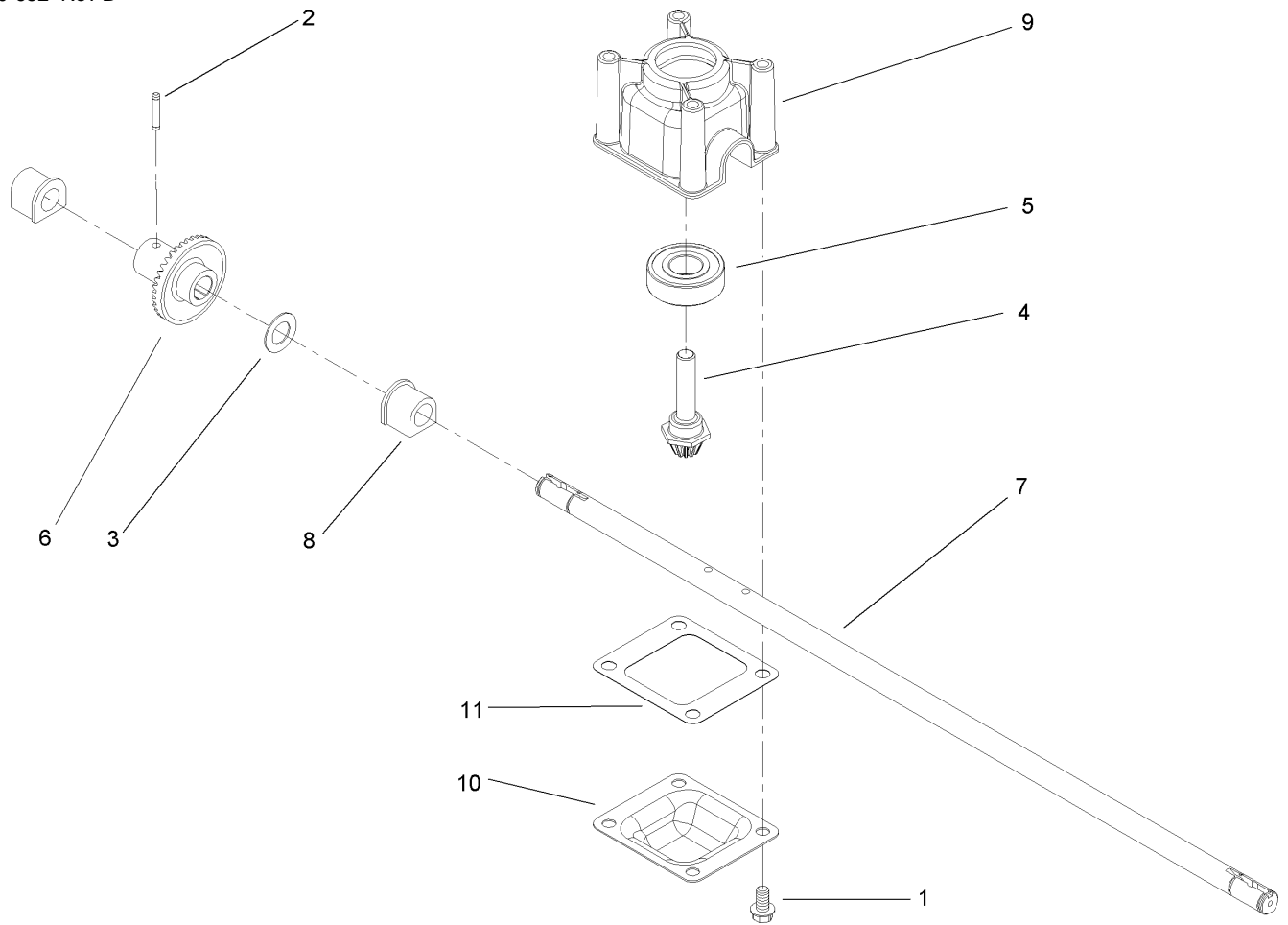




## Rear Axle and Transmission Assembly

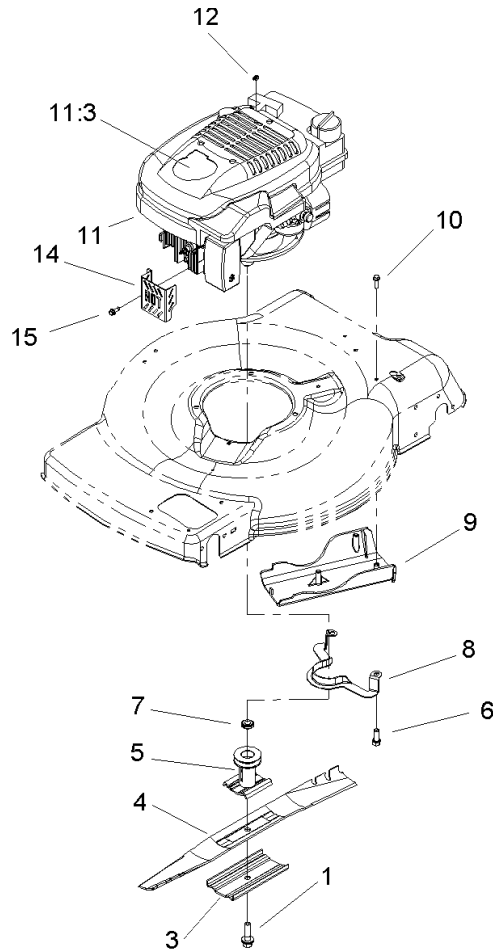
Ref	Part No.	Qty.	Description
1	614650	2	Bolt-Shoulder
2	105-3036	2	Wheel Gear ASM
2:3		1	Wheel Bushing ASM
2:3:1	27-6250	2	Bushing
3	65-2720	4	Klipring-Locking
4	105-3040	2	Gear-Pinion, 15T
5	614426	2	Washer-Stepped
6	105-6840	6	Washer-Thrust
7	105-1838	2	Cover-Wheel
8	32151-36	2	Ring-Retaining
9	105-1819	2	Arm-Pivot, Rear
10	105-1809	2	Arm-Spring
11	105-3042	2	Knob-Lever, HOC
12	104-8698	2	Retainer-Bearing, HOC
13	104-8699	2	Bearing-Ball
14	39-9650	2	Spring-Compression
15	612066	2	Key
16	106-3956	1	Transmission ASM
17	105-6814	1	Washer-Shield
18	105-1832-03	1	Bracket-Pivot, Rwd
19	32144-4	2	Screw-HWH
20	92-5791	1	Spacer
21	100-1176	2	Pulley-Half
22	91-2258	1	V-Belt

Ref	Part No.	Qty.	Description
23	3256-24	1	Washer-Flat
24	3296-5	1	Nut-Lock
25	105-1811	1	Brace-HOC Plate
26	105-1843	1	Shield-Trailing
28	322-6	4	Screw-HH
29	3229-11	2	Screw-CARR
30	3296-16	2	Nut-Lock, NI
31	36-4780	1	Washer



## Transmission Assembly No. 106-3956

Ref	Part No.	Qty.	Description
1	32144-4	4	Screw-HWH
2	3285-19	1	Pin-Groove
3	36-4780	1	Washer
4	92-5790	1	Pinion
5	100-1048	1	Bearing-Ball
6	104-8671	1	Gear-Bevel, 37T
7	106-3957	1	Shaft-Output
8	104-8673	2	Bushing-Shaft, Output
9	104-8674	1	Gearcase-Upper
10	104-8675-03	1	Cover-Gearcase
11	105-6839	1	Gasket-Gearcase

## Engine and Blade Assembly

Ref	Part No.	Qty.	Description				
1	105-8579	1	Bolt-Blade				
3	105-3029-03	1	Support-Blade				
4	104-8697-03	1	Blade-22 Inch				
5	106-3987	1	Blade Driver ASM				
6	95-1726	3	Screw-Taptite				
7	106-3999	1	Spacer-Driver				
8	105-3030-03	1	Guide-Belt				
9	105-1835	1	Cover-Belt, Rear				
10	46-8091	3	Screw-HWH				
11		1	Engine-Tecumseh, Lev195Ea-362003B				
11:3	105-6815	1	Decal-Recoil				
12	92-1701	1	Stop-Rope				
14	106-8346-03	1	Guard-Muffler				
15	32144-85	1	Screw-HWH				

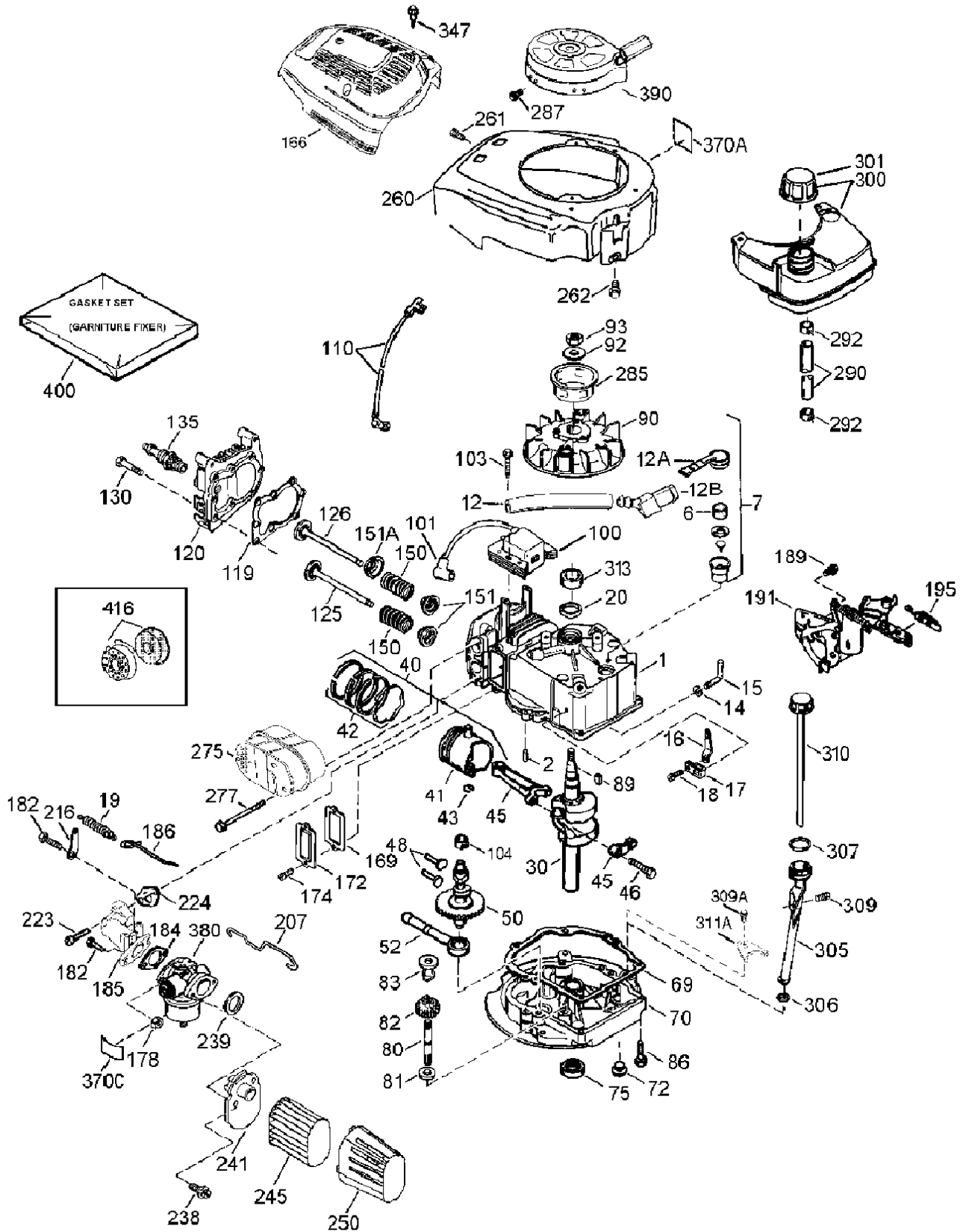






# Engine Assembly

## Tecumseh Lv195ea-362003b



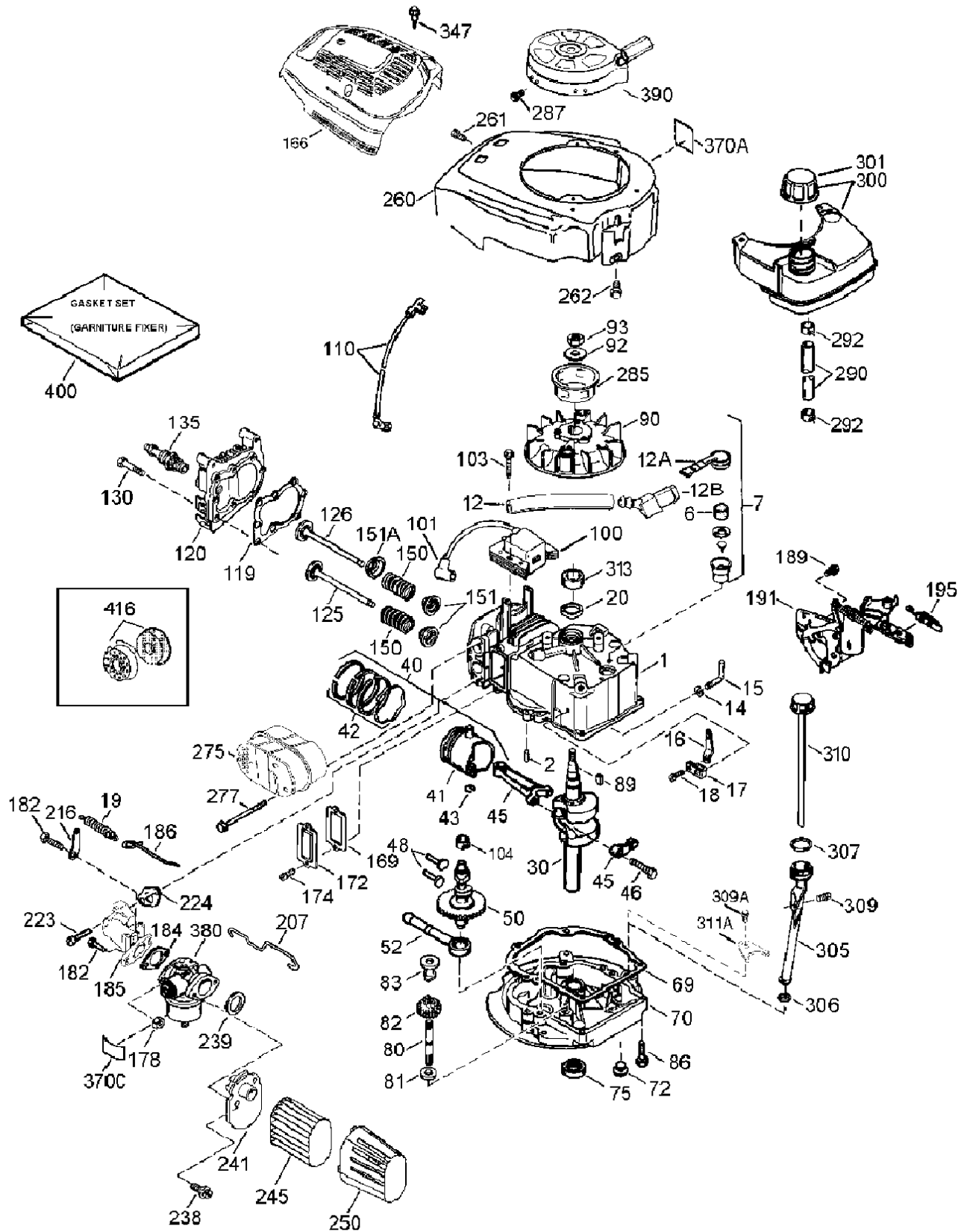
# Engine Assembly

## Tecumseh Lv195ea-362003b

Ref	Part No.	Qty.	Description	Ref	Part No.	Qty.	Description
21	37465	1	Cylinder	2125	37288	1	Valve-Exhaust (STD.) (Incl. Ref. #151)
22	26727	2	Pin-Dowel	2126	37289	1	Valve-Intake (STD.) (Incl. Ref. #151 And 151A)
26	33734	1	Element-Breather	2130	6021A	8	Screw (5/16-18 X 1-7/16In)
27	36557	1	Breather ASM (Incl. Ref. #6 And 12A)	2135	35395	1	Spark Plug-Resistor
212	36775	1	Tube-Breather	2150	31672	2	Spring-Valve
212A	36558	1	Breather Cover And Tube (Incl. Ref. #12B)	2151	31673	2	Cap-Spring, Valve
212B	36694	1	Elbow-Tube, Breather	2151A	40017	1	Seal-Valve, Intake
214	28277	1	Washer	2166	37694	1	Shroud-Engine
215	30589	1	Governor Rod (Incl. Ref. #14)	2*169	36783	1	Gasket-Cover, Valve
216	34839A	1	Lever-Governor	2172	36784	1	Cover-Valve
217	31335	1	Clamp-Lever, Governor	2174	30200	2	Screw (10-24 X 9/16In)
218	651018	1	Screw	2178	29752	2	Nut And Lock Washer ASM
219	36281	1	Spring-Extension	2182	6201	2	Screw (1/4-28 X 7/8In)
220	32600	1	Seal-Oil	2*184	26756	1	Gasket-Carburetor To Intake Pipe
230	37692	1	Crankshaft	2185	37466	1	Pipe-Intake
240	40027	1	Piston Pin And Ring Set (STD.)	2186	32653	1	Link-Governor
241	40042	1	Piston And Pin ASM (STD.) (Incl. Ref. # 43)	2189	650839	2	Screw (1/4-20 X 3/8In)
242	40006	1	Ring Set (STD.)	2191	36559A	1	Bracket-S.E. Brake (Incl. Ref. #195)
243	20381	2	Ring-Retaining	2195	610973	1	Terminal
245	36777	1	Connecting Rod ASM (Incl. Ref. #46)	2207	34336A	1	Link-Throttle
246	32610A	2	Bolt-Rod, Connecting	2216	33086	1	Lever-Adjusting, R.P.M.
248	27241	2	Lifter-Valve	2223	650451	2	Screw (1/4-20 X 1In)
250	37460	1	Camshaft (Exhaust Mcr) (Incl. Ref. #104)	2*224	36786	1	Gasket-Pipe, Intake
252	29914	1	Oil Pump ASM	2238	650932	2	Screw (10-32 X 49/64In)
2*69	37609	1	Gasket-Flange, Mounting	2*239	34338	1	Gasket-Cleaner, Air
270	37608	1	Flange-Mounting (Incl. Ref. #72-83,306,309A & 311A)	2241	36919	1	Collar-Cleaner, Air
272	37614	1	Plug-Drain, Oil	2245	36905	1	Filter-Cleaner, Air
275	27897	1	Seal-Oil	2250	37122	1	Cover-Cleaner, Air
280	30574A	1	Shaft-Governor	2260	37696A	1	Housing-Blower
281	30590A	1	Washer	2261	30200	2	Screw (10-24 X 9/16In)
282	30591	1	Governor Gear ASM (Incl. Ref. #81)	2262	650831	2	Screw (1/4-20 X 1/2In)
283	30588A	1	Spool-Governor	2275	37498	1	Muffler
286	650488	6	Screw (1/4-20 X 1-1/4In)	2277	650988	2	Screw (1/4-20 X 2-9/32In)
289	611004	1	Key-Flywheel	2285	35000A	1	Cup-Starter
290	611112	1	Flywheel	2287	650926	2	Screw (8-32 X 21/64In)
292	650815	1	Washer-Belleville	2290	29774	1	Line-Fuel
293	650816	1	Nut-Flywheel	2292	26460	2	Clamp-Line, Fuel
2100	34443C	1	Ignition-Solid State	2300	35586A	1	Fuel Tank (Incl. Ref. #292 And 301)
2101	610118	1	Cover-Spark Plug	2301	36246	1	Cap-Fuel
2103	651007	2	Screw	2305	35647	1	Tube-Fill, Oil
2104	37480	1	Bushing-Cam	2*306	37610	1	O-Ring
2110	37047	1	Wire-Ground	2307	35499	1	O-Ring
2*119	36787	1	Gasket-Cylinder Head	2309	650562	1	Screw (10-32 X 1/2In)
2120	36825	1	Head-Cylinder	2309A	650783	1	Screw (10-24 X 3/4In)
2125	36780	1	Valve-Exhaust (1/32In Os) (Incl. 151)	2310	35648	1	Dipstick
				2311A	37611	1	Bracket-Down, Hold
				2313	34080	1	Spacer
				2347	650898A	1	Screw (10-32 X 27/32In)

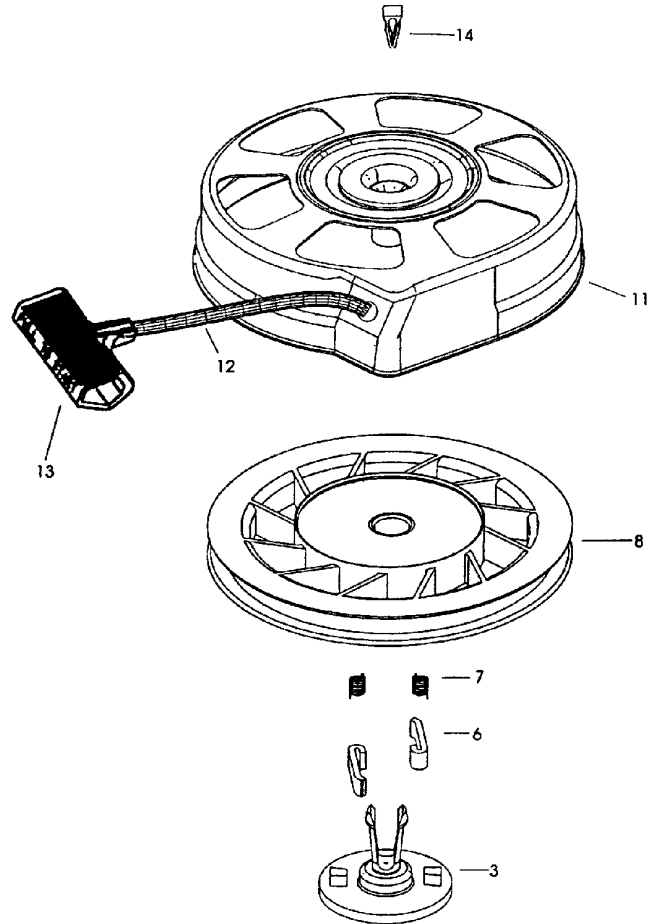
# Engine Assembly

## Tecumseh Lv195ea-362003b (continued)



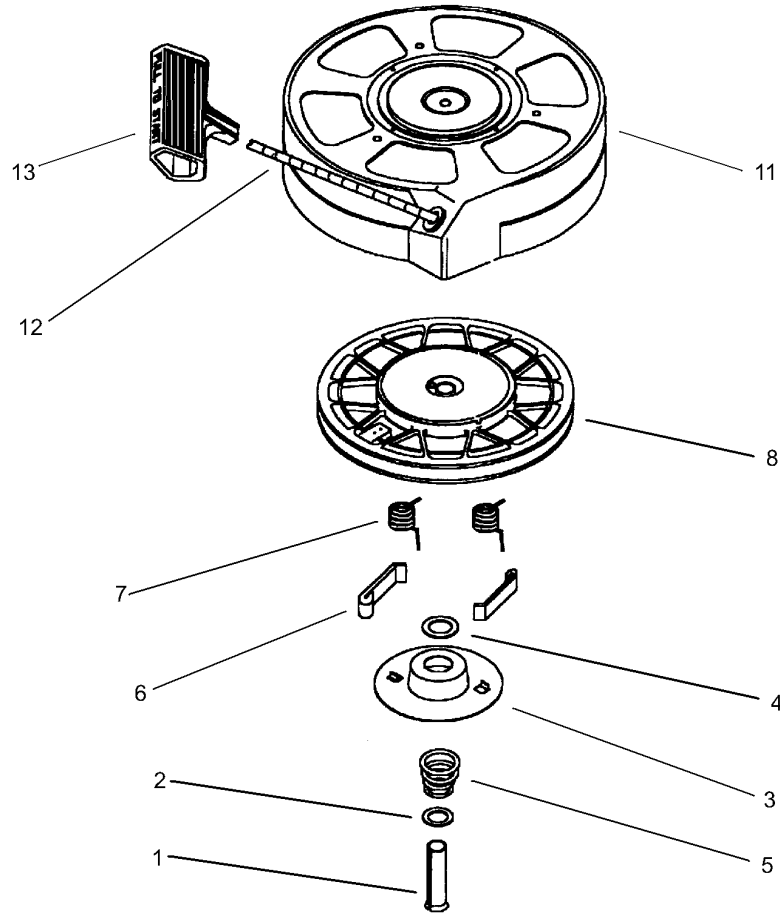
## Engine Assembly Tecumseh Lv195ea-362003b (continued)

Ref	Part No.	Qty.	Description				
②370	35977	1	Decal-Warning				
②370A	36261	2	Decal-Lubrication				
②370C	37695	1	Decal-Primer				
②380	640303	1	Carburetor (Incl. Ref. #184)				
②390	590739	1	Starter-Rewind				
②400	37613	1	Gasket Set				
②416	37530	1	Spark Arrestor Kit (Optional)				
②	750876	1	Shortblock				



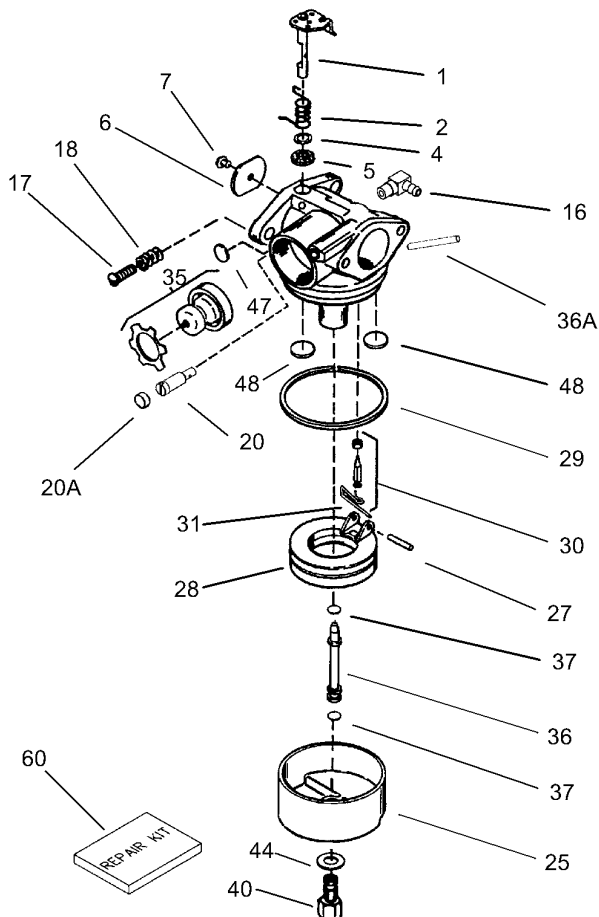
## Recoil Starter Assembly No. 590739 Tecumseh No. Lv195ea-362003b

Ref	Part No.	Qty.	Description				
20	590739	1	Starter-Rewind				
23	590740	1	Retainer				
26	590616	2	Dog-Starter				
27	590617	2	Spring-Dog				
28	590618A	1	Pulley And Rewind Spring ASM				
211	590638A	1	Starter Housing ASM				
212	590535	1	Rope-Starter (98In X 9/64In Diameter)				
213	590701	1	Handle-Starter				
214	590760	1	Clip-Spring				



## Recoil Starter Assembly No. 590702 (Optional) Tecumseh Lv195ea-362003b

Ref	Part No.	Qty.	Description				
20	590702	1	Starter-Recoil				
21	590599A	1	Spring Pin ASM				
22	590600	1	Washer				
23	590696	1	Retainer				
24	590601	1	Washer				
25	590697	1	Spring-Brake				
26	590698	2	Dog-Starter				
27	590699	2	Spring-Dog				
28	590700	1	Pulley And Rewind Spring ASM				
11	590703A	1	Starter Housing ASM				
12	590535	1	Rope-Starter (98In X 9/64In Diameter)				
13	590701	1	Handle-Starter				



## Carburetor Assembly No. 640303 Tecumseh Model No. Lv195ea-362003b

Ref	Part No.	Qty.	Description
20	640303	1	Carburetor (Incl. Ref. #184 Of Engine Parts List)
1	631615	1	Throttle Shaft And Lever ASM
2	631767	1	Spring-Return, Throttle
*4	631184	1	Washer-Seal, Dust
*5	631183	1	Seal-Dust, Throttle
6	640070	1	Shutter-Throttle
*7	650506	1	Screw-Shutter
16	631807	1	Fitting-Fuel
17	651025	1	Screw-Throttle Crack / Idle Speed
18	630766	1	Spring-Tension
20	640018	1	Screw-Idle Restrictor
*20A	640200	1	Cap-Screw, Idle Restrictor
25	631867	1	Bowl-Float
*27	631024	1	Shaft-Float
28	632802	1	Float
*29	631028	1	O-Ring, Float Bowl
*30	632807	1	Inlet Needle, Seat, & Clip (Incl. Ref. # 31)
*31	631022	1	Clip-Spring
35	640259	1	Primer Bulb/Retainer Ring
36	640019	1	Tube-Main Nozzle
36A	632766	1	Tube-Carburetor
*37	632547	2	O-Ring (Main Nozzle Tube)

Ref	Part No.	Qty.	Description
40	640087	1	Nut-High Speed Bowl
*44	27110A	1	Washer-Nut, Bowl
*47	630748	1	Plug-Welch, Idle Mixture Well
*48	631027	2	Plug-Welch, Atmospheric Vent
60	632809	1	Repair Kit (Incl. Items Marked * In Notes)



## NOTES

# NOTES

# NOTES

