



Recycler[®] Kit
48in TURBO FORCE or 7-Gauge Side Discharge Mower
Part No. 108-2209

Form No. 3353-512

Installation Instructions

Note: Determine the left and right sides of the machine from the normal operating position.

Note: This kit will fit two different types of mower decks. One type of mower deck is shown in Figure 2 and has one front baffle. The second type of mower deck is shown in Figure 3 and has an Adjustable Flow Baffle.

Loose Parts

Note: Use the chart below to identify parts for assembly.

Step	Description	Qty.	Use
1	No parts needed	–	Removing the existing blades
2	No parts needed	–	Removing the existing baffles from a 7-Gauge mower deck
3	No parts needed	–	Removing the existing baffles with Adjustable Flow Baffle
4	Left baffle Right baffle Tapping bolt, 3/8 x 1 inch Flange Nut, 3/8 inch Carriage bolt, 3/8 x 3/4 inch Washer, 3/8 inch (for mower decks with an Adjustable Flow Baffle only) Flange Nut, 5/16 inch Carriage Bolt, 5/16 x 3/4 inch	1 1 7 10 3 1 1 1	Installing the baffles
5	Mulching blades	3	Installing the mulching blades

Side Discharge or Mulch Grass



Warning



Without the grass deflector, discharge cover, or complete grass catcher assembly mounted in place, you and others are exposed to blade contact and thrown debris. Contact with rotating mower blade(s) and thrown debris will cause injury or death.

- Never remove the grass deflector from the mower because the grass deflector routes material down toward the turf. If the grass deflector is ever damaged, replace it immediately.
- Never put your hands or feet under the mower.
- Never try to clear discharge area or mower blades unless you move the power take off (PTO) to *disengage* and turn the ignition key to *off*. Also remove the key and pull the wire off the spark plug(s).

Ensure the mower has the hinged grass deflector that disperses clippings to the side and down toward the turf, while in side discharge mode.

To mulch grass clippings, the baffles must be installed into the mower as shown in the following steps.

Before Installation

1. Thoroughly clean mower deck. All debris must be removed to ensure baffles will fit properly against mower deck.
2. Repair all bent or damaged areas of mower deck and replace any missing parts.

Step

1

Removing the Existing Blades

Parts needed for this step:

None

Procedure

1. Remove the existing blades from the spindles (Fig. 1).

Note: Save the blades for use when in side discharging mode. Use the blade bolt and washer for installing the recycler blades in Step 4.

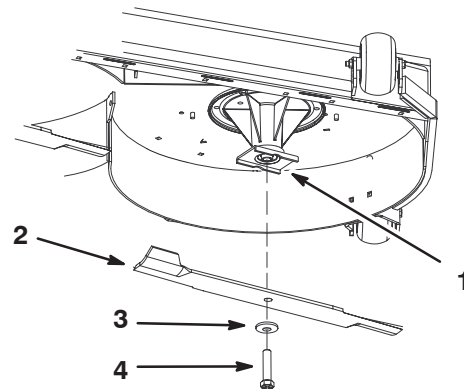


Warning



A blade is sharp. Contact with sharp blade can cause serious personal injury.

- Wear gloves or wrap sharp edges of the blade with a rag.



m-6955

Figure 1

- | | |
|------------|---------------|
| 1. Spindle | 3. Washer |
| 2. Blade | 4. Blade bolt |

Step

2

Removing the Existing Baffles

Parts needed for this step:

None

Removing the Existing Baffles from a 7-Gauge Mower Deck

Note: The bolts are threaded into the mower deck. Remove the nuts first before removing bolts.

1. Remove the nuts holding the front baffle in place (Fig. 2).
2. Remove the nuts holding the discharge baffle in place (Fig. 2).
3. Remove the bolts holding the front baffle in place (Fig. 2).
4. Remove the bolts holding the discharge baffle in place (Fig. 2).

Note: Save the baffle and hardware for use when changing to side discharging mode.

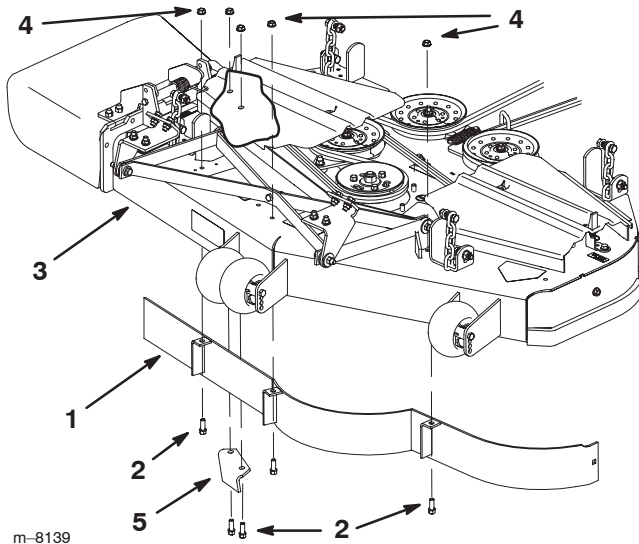


Figure 2

- | | |
|-----------------------|---------------------|
| 1. Front Baffle | 4. Lock Nut |
| 2. Bolt | 5. Discharge baffle |
| 3. 7-gauge mower deck | |

Removing the Existing Baffles with an Adjustable Flow Baffle

Note: In the steps below, the bolts are threaded into the mower deck. Remove the nuts first before removing bolts.

1. Remove the nuts holding the baffles in place (Fig. 3).
2. Remove the cam lock holding the Adjustable Flow Baffle in place (Fig. 3).
3. Remove the bolts holding the baffles in place (Fig. 3).

Note: Save the baffles and hardware for use when changing to side discharging mode.

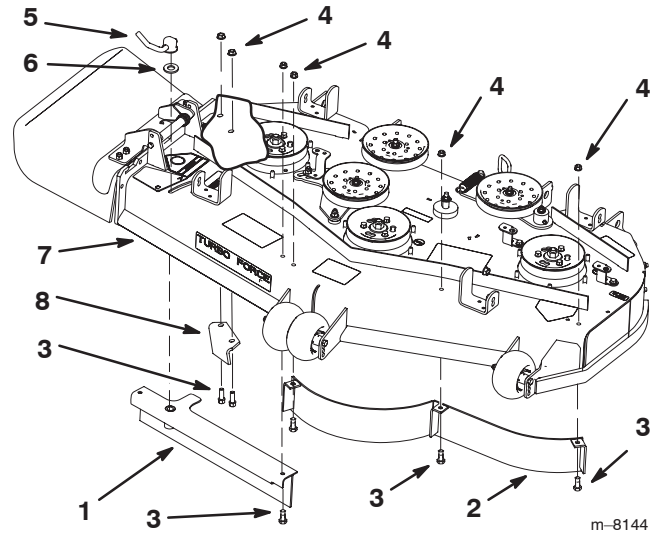


Figure 3

- | | |
|---------------------------|---------------------------|
| 1. Adjustable Flow Baffle | 5. Cam lock |
| 2. Left front baffle | 6. Washer |
| 3. Bolt | 7. Turbo Force mower deck |
| 4. Lock Nut | 8. Discharge baffle |

Step

3

Installing the Baffles

Parts needed for this step:

Qty.	Part
1	Left baffle
1	Right baffle
7	Tapping bolt, 3/8 x 1 inch
10	Flange nut, 3/8 inch
3	Carriage bolt, 3/8 x 3/4 inch
1	Washer, 3/8 inch (for mower decks with Adjustable Flow Baffle only)
1	Flange nut, 5/16 inch
1	Carriage bolt, 5/16 x 1 inch

Procedure

Note: All holes exist in the mower for installing the new baffles.

Note: Loosely install the baffles to align the baffles with all existing holes in the mower. Tighten the tapping bolts into the mower first, before tightening the flange nuts.

1. Install the right baffle into the mower.

Note: The tabs on the baffle for the center chamber need to be installed to the outside.

2. Secure the right baffle to the mower deck with 2 tapping bolts (3/8 x 1 inch), 1 washer (3/8 inch, only for Turbo Force mower decks), and 2 flange nuts (3/8 inch) (Fig. 4).

3. Secure the right baffle to the rear baffle with 1 bolt (3/8 x 1 inch) and 1 flange nut (3/8 inch) (Fig. 4).

4. Secure the right baffle to the mounting plate with 2 bolts (3/8 x 1 inch) and 2 flange nuts (3/8 inch) (Fig. 4).

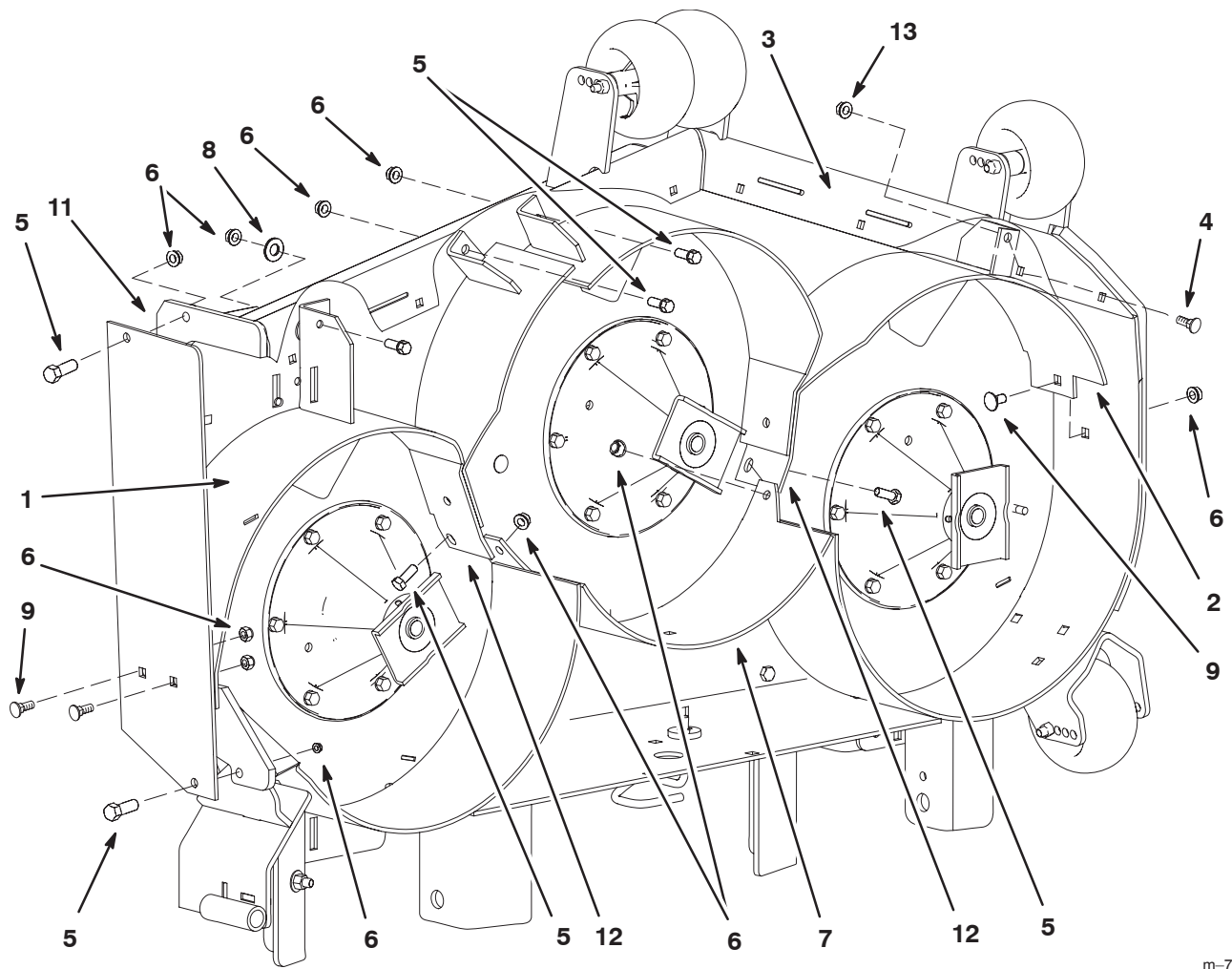
5. Install the left baffle into the mower.

6. Secure the left baffle to the mower deck with 1 tapping bolt (3/8 x 1 inch) and 1 flange nut (3/8 inch) (Fig. 4).

7. Secure the left baffle to the front flat plate of the mower with 1 carriage bolt (5/16 x 1 inch) and 1 flange nut (5/16 inch) (Fig. 4).

8. Secure the left baffle to the left sidewall of the mower deck with 1 carriage bolt (3/8 x 3/4 inch) and 1 flange nut (3/8 inch) (Fig. 4).

9. Secure the left baffle to the rear baffle with 1 bolt (3/8 x 1 inch) and 1 flange nut (3/8 inch) (Fig. 4).



m-7826

Figure 4

- | | | | |
|-----------------------------------|-------------------------------|--|---------------------------|
| 1. Right front baffle | 5. Tapping bolt, 3/8 x 1 inch | 8. Washer, 3/8 inch (for use on mower decks with an Adjustable Flow Baffle only) | 10. Bolt, 3/8 x 1 inch |
| 2. Left front baffle | 6. Flange nut, 3/8 inch | 9. Carriage bolt, 3/8 x 3/4 inch | 11. Mounting plate |
| 3. Front flat plate | 7. Rear baffle | | 12. Tab to the outside |
| 4. Carriage bolt, 5/16 x 3/4 inch | | | 13. Flange nut, 5/16 inch |

Step

4

Installing the New Blades

Parts needed for this step:

Qty.	Part
3	Mulching blades

Procedure

Important The sail part of the blade (i.e., the turned up section) must face the inside of the mower (Fig. 5).

1. Install the new blades to the spindles with washers and blade bolts that were previously removed (Fig. 5).
2. Tighten the blade bolt to 85–110 ft-lb (115–150 N·m).

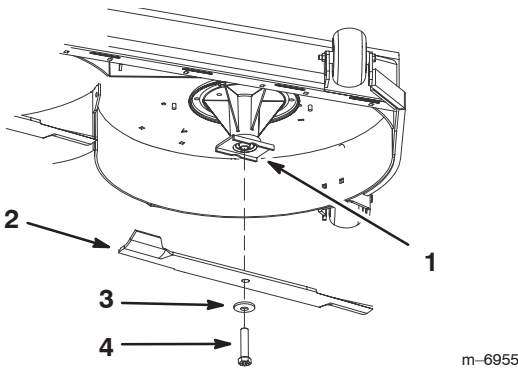


Figure 5

- | | |
|------------|---------------|
| 1. Spindle | 3. Washer |
| 2. Blade | 4. Blade bolt |



Warning



A blade is sharp. Contact with sharp blade can cause serious personal injury.

- Wear gloves or wrap sharp edges of the blade with a rag.

Mulching Tips

Selecting the proper height-of-cut setting to suit conditions – Remove approximately one inch or no more than 1/3 of the grass blade when cutting. In exceptionally

lush and dense grass you may need to raise the height-of-cut setting or convert to side discharge or bagging operations.

Mowing in extreme conditions – Air is required to cut and recut grass clippings in mower housing, so do not set height-of-cut too low or totally surround housing by uncut grass. Always try to have one side of the mower housing free from uncut grass, allowing air to be drawn into housing. When making an initial cut thru center of uncut area, operate machine slower and back up if mower starts to clog.

Mow at proper intervals – Under most normal conditions you'll need to mow every 4–5 days. However, grass grows at different rates at different times. Thus, in order to maintain the same height-of-cut, which is a good practice, you'll need to cut more frequently in early spring; as the grass growth rate slows in mid summer, cut only every 8–10 days. If you are unable to mow for an extended period due to weather conditions or other reasons, convert to side discharge or bagging options or mow first with the height-of-cut at a high level; then mow again 2–3 days later with a lower height setting.

Always mow with sharp blades – A sharp blade cuts cleanly and without tearing or shredding the grass. A dull blade will tear and shred the grass. Tearing and shredding causes the grass to turn brown at the edges which impairs growth and increases susceptibility to disease.

After operating – To ensure optimum performance, clean underside of mower housing after each use. If residue is allowed to build up in mower housing cutting performance will decrease.

