



Straight Shaft String Trimmer

Model No. 51932B—240000001 & Up

Parts Catalog

Ordering Replacement Parts

To order replacement parts, please supply: the part number, the quantity, and the description of each part.

Understanding Reference Numbers

Each identified part in an illustration has a reference number. The reference number for a part also appears in the list, along with other information about the part.

Understanding Figure Numbers

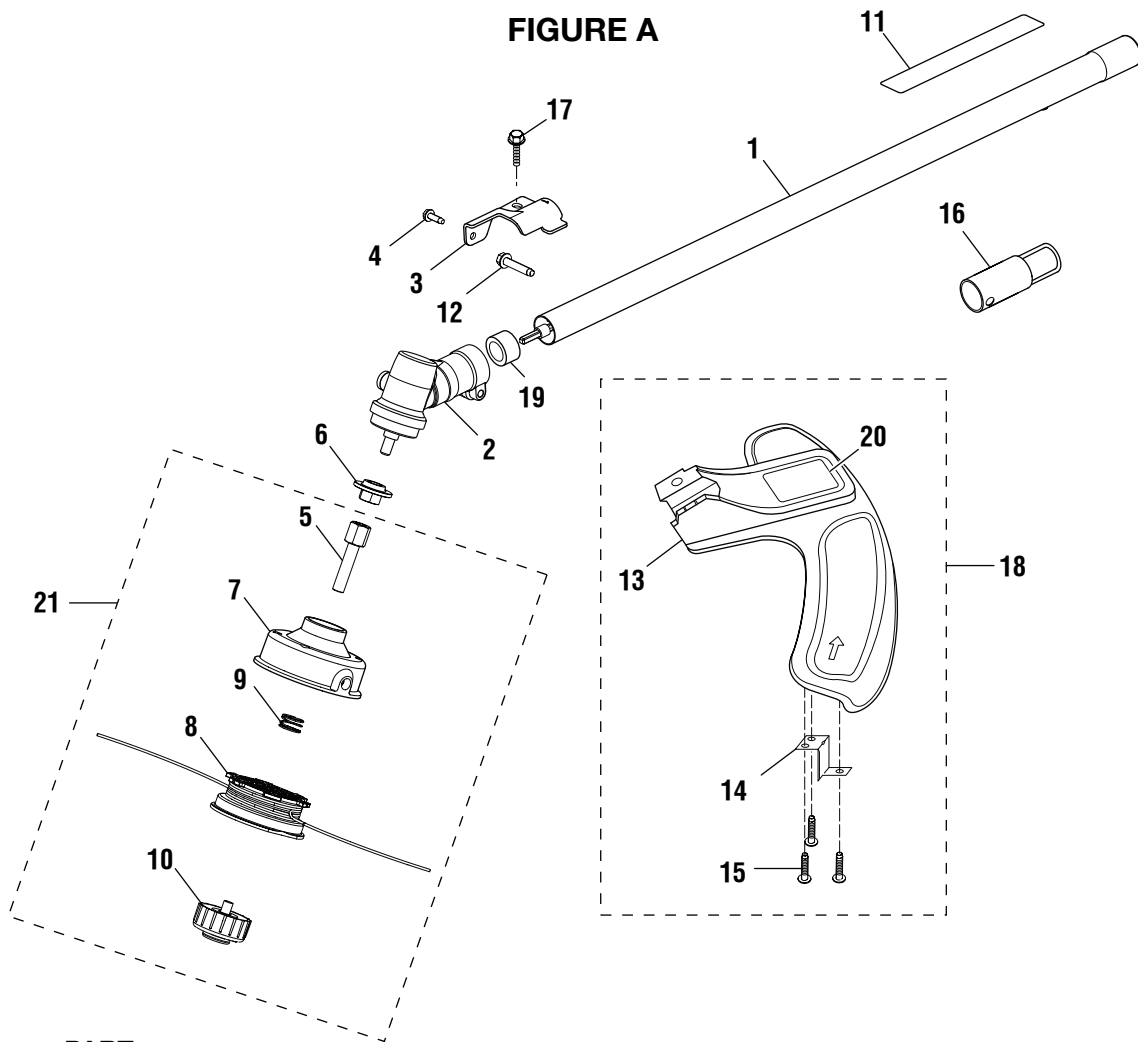
This catalog uses two special reference number formats, one to indicate parts in a service assembly and another to indicate a Figure Number.

Figure Numbers are represented as a Sub-Assembly which follow the exploded views.

Sub-Assemblies can be ordered as an Assembly or you may order any part individually.

TORO STRING TRIMMER – MODEL NUMBER 51932B

FIGURE A

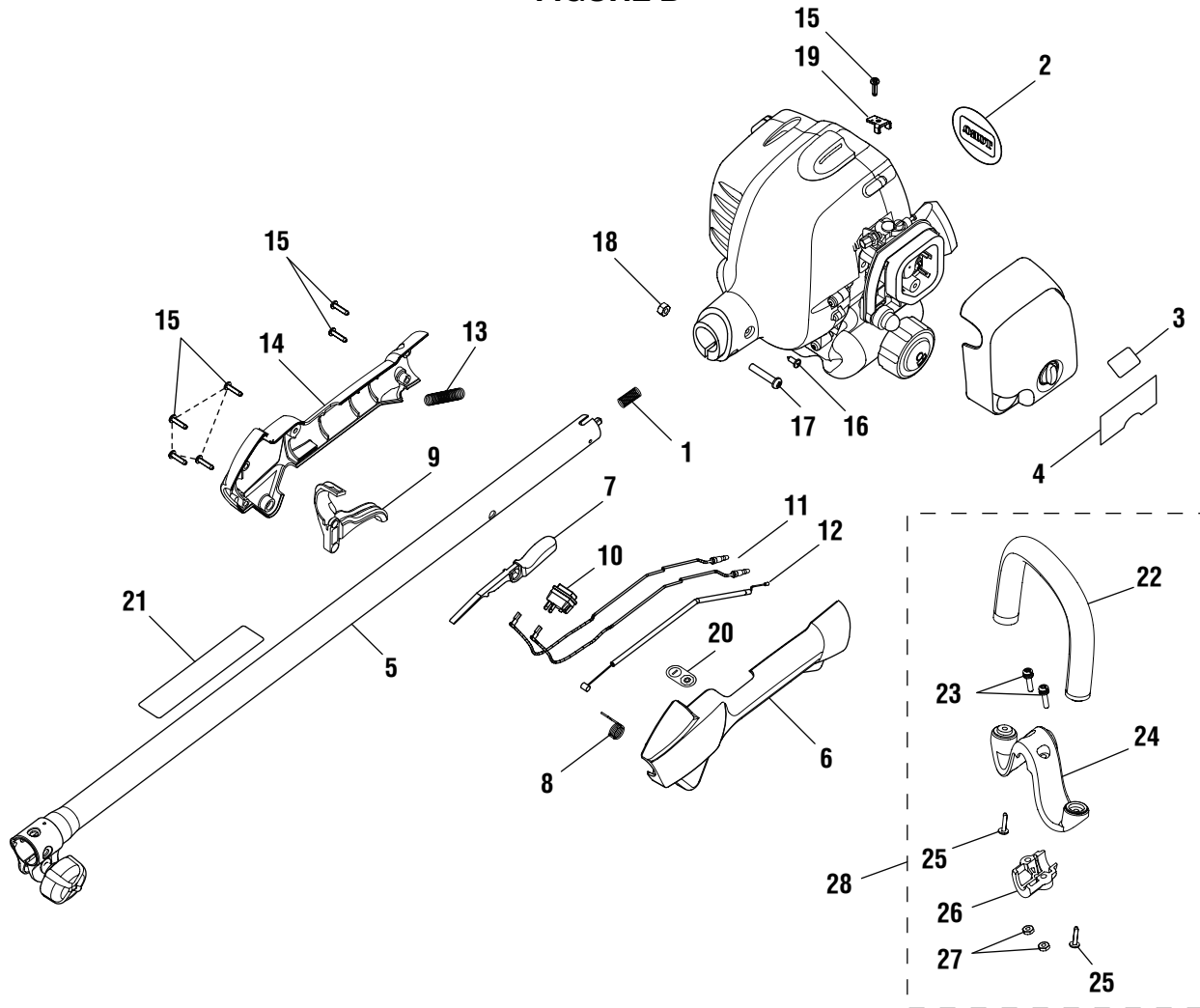


KEY PART NO. NUMBER	DESCRIPTION	QTY.
1 985570001	STRAIGHT SHAFT ASSEMBLY	1
2 984244001	GEAR CASE ASSEMBLY	1
3 PS04420	GRASS DEFLECTOR CLAMP	1
4 983774003	SCREW (#10-24 X 5/8 in. HEX WASHER HD.).....	1
5 PS04438	TRIMMER HEAD SHAFT ADAPTOR	1
6 984931001	FLANGED WASHER	1
7 A98231A	TRIMMER HEAD.....	1
8 984238001	SPOOL WITH LINE (.095).....	1
9 06713	COMPRESSION SPRING.....	1
10 A97910A	RETAINING CAP, LEFT-HANDED THREAD	1
11 984032001	WARNING LABEL.....	1
12 983381007	SCREW	1
13 984099001	GRASS DEFLECTOR.....	1
14 PS04379	LINE CUTTING BLADE.....	1
15 82543	SCREW.....	3
16 PS02155	HANGER CAP	1
17 983379078	SCREW (#1/4-20 X 1-1/4 in. HEX WASHER HD.).....	1
18 984443003	GRASS DEFLECTOR ASSEMBLY	1
19 985625001	SPACER.....	1
20 983649001	GRASS DEFLECTOR LABEL.....	1
21 983797001	TRIMMER HEAD ASSEMBLY	1

To locate a source for replacement parts,
contact us toll free at 1-866-574-9242 (US) or 1-866-574-9243 (Canada).

TORO STRING TRIMMER – MODEL NUMBER 51932B

FIGURE B

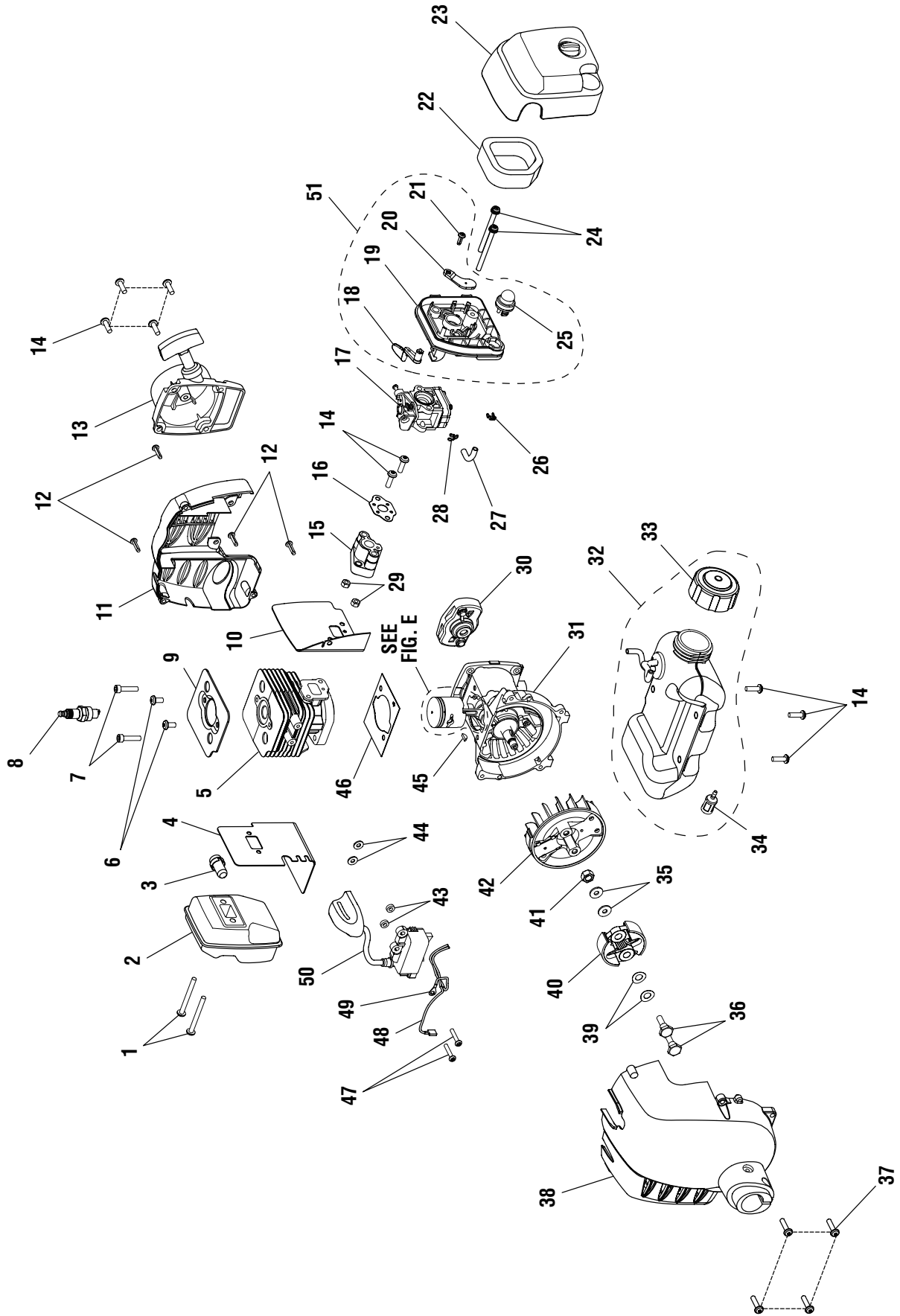


KEY PART NO. NUMBER	DESCRIPTION	QTY.
1 984106001	COMPRESSION SPRING.....	1
2 983646001	LOGO PLATE.....	1
3 983647001	UPPER START LABEL.....	1
4 983648001	LOWER START LABEL.....	1
5 985568001	UPPER SHAFT ASSEMBLY	1
6 983621001	REAR HANDLE SUPPORT.....	1
7 983623001	LOCK-OFF BUTTON.....	1
8 983624001	TRIGGER SPRING	1
9 983620001	TRIGGER.....	1
10 984236002	SWITCH WITH DUST SHIELD ..	1
11 983782001	LEAD	2
12 983635001	CABLE, THROTTLE.....	1
13 983632003	CORRUGATED TUBE.....	1
14 983622001	REAR HANDLE COVER	1
15 6656301	SCREW (M4 X 16 mm).....	7
16 82541	SCREW (#10-14 X 1/2 in. TRI-LOBULAR).....	1

KEY PART NO. NUMBER	DESCRIPTION	QTY.
17 983799023	SCREW (M6 X 1-30 mm).....	1
18 983619015	HEX NUT	1
19 985255001	THROTTLE CABLE CLAMP	1
20 984240001	ON/OFF LABEL.....	1
21 984032001	WARNING LABEL	1
22 984439001	ASSIST HANDLE W/GRIP.....	1
23 PS04159	SCREW (#12-24 X 1 in. SEMS) .	2
24 PS04070	M CLAMP.....	1
25 82620	SLOTTED TORX SCREW	2
26 PS04072	CLAMP.....	1
27 81068	HEX NUT (12-24).....	2
28 983798003	ASSIST HANDLE ASSEMBLY ...	1
983000410	OPERATOR'S MANUAL	
983000410R	REPAIR SHEET	

To locate a source for replacement parts,
contact us toll free at 1-866-574-9242 (US) or 1-866-574-9243 (Canada).

FIGURE C



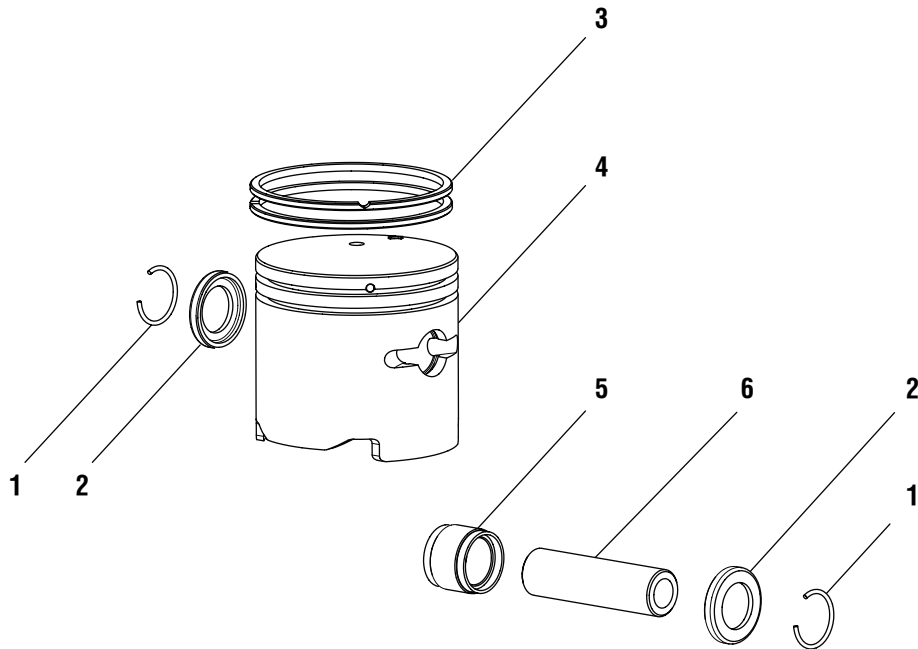
TORO STRING TRIMMER – MODEL NUMBER 51932B

FIGURE C - PARTS LIST

KEY PART NO. NUMBER	DESCRIPTION	QTY.	KEY PART NO. NUMBER	DESCRIPTION	QTY.
1	983660057	SCREW (M5 X 50 mm TORX SLOTTED RECESSED PAN HD.) ...	26	6970001	HOSE CLIP
		2	27	5688002	FUEL LINE.....
2	3074802	MUFFLER ASSEMBLY	28	6969901	HOSE CLIP
3	6300210	SPARK ARRESTER	29	983619014	NUT (M5 x .8 mm).....
4	6300206	MUFFLER GASKET.....	30	985096001	PULLEY ASSEMBLY
5	6457003	CYLINDER	31	3074902	CRANKCASE ASSEMBLY.....
6	983660005	SCREW (M5 X 10 in. TORX RECESSED PAN HD.)	32	3075702	FUEL TANK ASSEMBLY
		2	33	A09116	FUEL CAP
7	6634201	SCREW (M5 X 22 mm SOCKET HD.).....	34	PS03380	FUEL FILTER.....
		2	35	983788071	WASHER
8	8714402	SPARK PLUG.....	36	6635301	CLUTCH SCREW.....
9	6300221	CYLINDER PLATE.....	37	6634401	SCREW (M5 X 20 mm TORX SLOTTED RECESSED PAN HD.) ...
10	9071102	INSULATOR GASKET			4
11	5947001	ENGINE HOUSING, REAR.....	38	3075403	FRONT HOUSING ASSEMBLY
12	6656301	SCREW (M4 X 16 mm SLOTTED RECESSED PAN HD.) ...	39	6969601	CURVED WASHER
		4	40	3075601	CLUTCH ASSEMBLY
13	985097001	STARTER RECOIL ASSEMBLY	41	6968901	ROTOR NUT
14	6635101	SCREW (M5 X 16 mm Torx SLOTTED RECESSED PAN HD.) ...	42	6457401	ROTOR.....
		9	43	5946201	IGNITION COIL SPACER
15	5994701	HEAT DAM INSULATOR	44	982719005	WASHER (3/16 x 3/64).....
16	9071103	CARBURETOR GASKET.....	45	983784006	WOODRUFF KEY (10 mm X 3 mm).....
17	3074502	CARBURETOR ASSEMBLY	46	9070901	GASKET
18	5945801	CHOKE LEVER.....	47	6634901	SCREW (M4 X 22 mm TORX SLOTTED RECESSED PAN HD.) ...
19	5994501	CARBURETOR PLATE			2
20	5994601	CHOKE PLATE	48	2914301	LEAD ASSEMBLY, BLACK.....
21	983645005	SCREW (M4 X 12 mm SLOTTED RECESSED PAN HD.)	49	2914302	LEAD ASSEMBLY, RED.....
		1	50	2917802	COIL BOOT ASSEMBLY (INCLUDES KEY NOS. 48 & 49).....
22	5687301	ELEMENT	51	3074602	FILTER HOUSING ASSEMBLY
23	3074701	COVER ASSEMBLY			1
24	6634601	SCREW (M5 X 60 mm, SLOTTED RECESSED PAN HD. MACHINE)...			2
25	3078001	PRIMER ASSEMBLY			1

To locate a source for replacement parts,
contact us toll free at 1-866-574-9242 (US) or 1-866-574-9243 (Canada).

FIGURE E



KEY NO.	PART NUMBER	DESCRIPTION	QTY.
1	6969101	WRIST PIN CLIP RING	2
2	6968701	WASHER	2
3	6969001	PISTON RING.....	2
4	6457303	PISTON.....	1
5	6968602	NEEDLE BEARING (ID 8 X 8.8).....	1
6	6222701	WRIST PIN.....	1

To locate a source for replacement parts,
 contact us toll free at 1-866-574-9242 (US) or 1-866-574-9243 (Canada).



OWT Industries, Inc.

P.O. Box 35
Highway 8
Pickens, SC 29671
USA

Customer Service Information

If your product requires service or maintenance,
contact your nearest authorized service dealer.

To locate your nearest authorized service dealer for this product,
contact us toll free at 1-866-574-9242 (US) or 1-866-574-9243 (Canada).