



53cm Super Recycler[®] Lawnmower

Model No. 20792 - 250000001 and up.

Parts Catalog

Ordering Replacement Parts

To order replacement parts, please supply the part number, the quantity, and the description of each part desired.

Understanding Reference Numbers

Each identified part in an illustration has a reference number. The reference number for a part also appears in the parts list, along with other information about the part.

This catalog uses two special reference number formats, one to indicate parts in a service assembly and another to indicate the quantity of a given part in an illustration.

Service Assembly Reference Numbers

Parts in service assemblies have reference numbers in the form a:b. The a represents the reference number of the entire service assembly and the b represents a sequential number unique to each part within the service assembly.

For example, a wheel assembly might be identified by reference number 6, the tire by 6:1, the valve by 6:2, and the wheel by 6:3. When you order the assembly identified by reference number 6, you receive all parts identified by reference numbers 6:1, 6:2, and 6:3. However, you may also order any part individually. Reference numbers of this type appear in illustrations and in part lists.

Reference Numbers Indicating Quantity

In an illustration, if a reference number indicates more than one part, the reference number has the form nX y. The n represents the quantity of the part, the X is the multiplication symbol, and the y represents the reference number.

For example, in an illustration, the reference number 2X 37 means that two of the parts identified by reference number 37 are indicated.

Contents

Description	Page	Description	Page
Housing Assembly	3	Carburetor Assembly Briggs and Stratton 125K02-0193-E1	14
Deck Assembly 108-8115	4	Air Cleaner Assembly Briggs and Stratton 125K02-0193-E1	15
Height-of-Cut and Front Wheel Assembly	5	Governor Assembly Briggs and Stratton 125K02-0193-E1	16
Rear Wheel and Gear Case Assembly	6	Muffler and Fuel Tank Assembly Briggs and Stratton 125K02-0193-E1	17
Gear Case Assembly No. 108-8140	7	Blower Housing Assembly Briggs and Stratton 125K02-0193-E1	18
Engine and Blade Assembly	8	Starter Assembly Briggs and Stratton 125K02- 0193-E1	19
Handle Assembly	9	358 Gasket Set Assembly Briggs and Stratton 125K02-0193-E1	20
Grass Bag Assembly	10	121 Carburetor Overhaul Kit and 977 Carburetor Gasket Set Assemblies Briggs and Stratton 125K02-0193-E1	21
Cylinder Assembly Briggs and Stratton 125K02-0193-E1	11		
Crankshaft Assembly Briggs and Stratton 125K02-0193-E1	12		
Crankcase Assembly Briggs and Stratton 125K02-0193-E1	13		

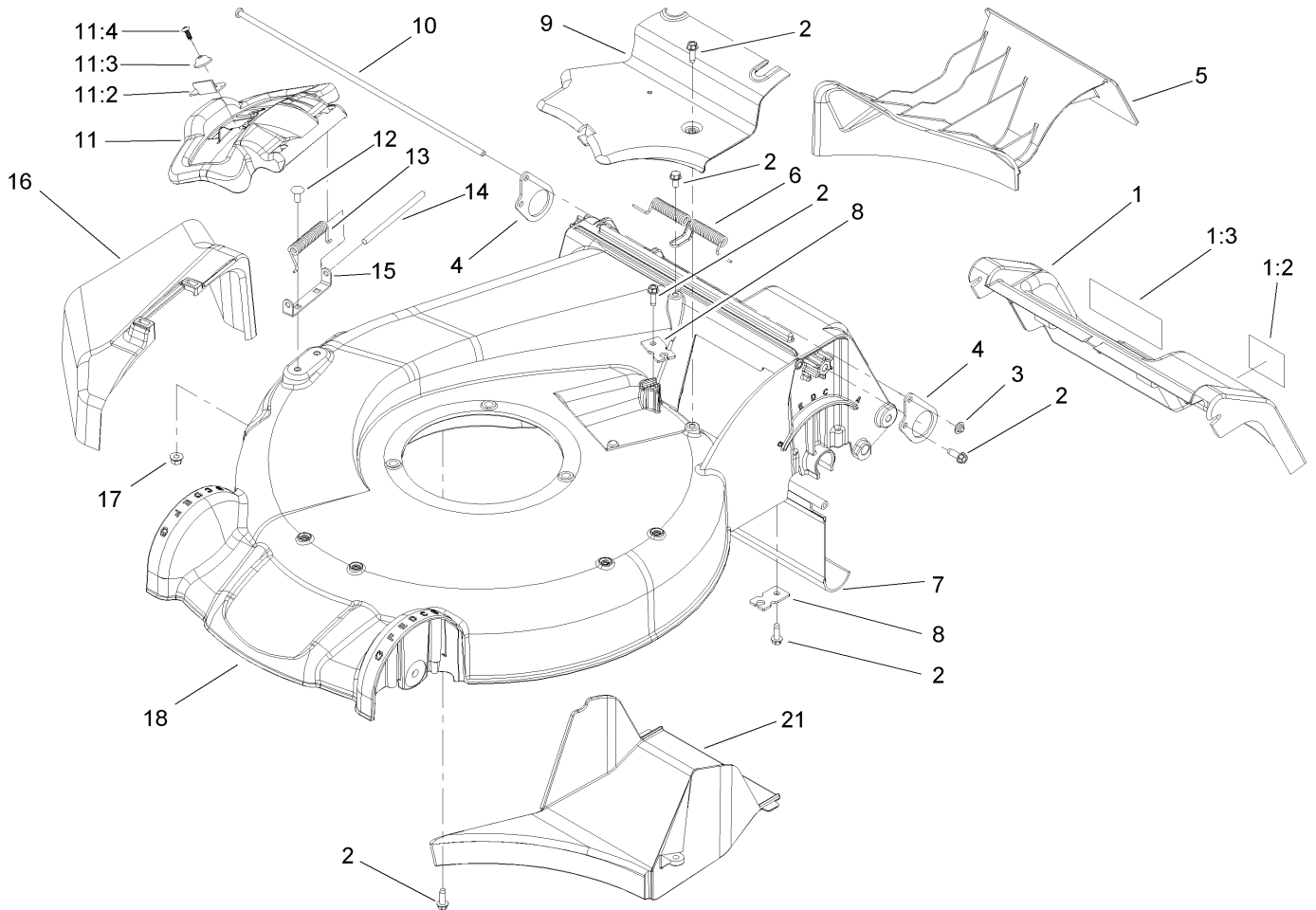
Part Description Abbreviations

Part descriptions in this catalog may include the following abbreviations.

AR. as required	HWHTF. hex washer head thread forming
ASM. assembly	HYD. hydraulic
BBC. Blade Brake Clutch	INC. incorporated
CARR. carriage	LH. left hand
DEG. degrees	NI. nylon insert
EXT. external	NPTF. national pipe thread fine
FH. flat head	PPH. phillips pan head
GA. gauge	PPHTF. phillips pan head thread forming
HF. hex flange	PRH. phillips round head
HH. hex head	PTH. phillips truss head
HHF. hex head flange	PTO. power take off
HHFTF. hex head flange thread forming	RH. right hand
HJ. hex jam	ROPS. roll over protection system
HLH. hex lag head	SFH. slotted fillister head
HOC. height-of-cut	SHH. slotted hex head
HSBH. hex socket button head	SHWH. slotted hex washer head
HSFH. hex socket flat head	SPH. slotted pan head
HSH. hex socket head	SQH. square head
HWH. hex washer head	

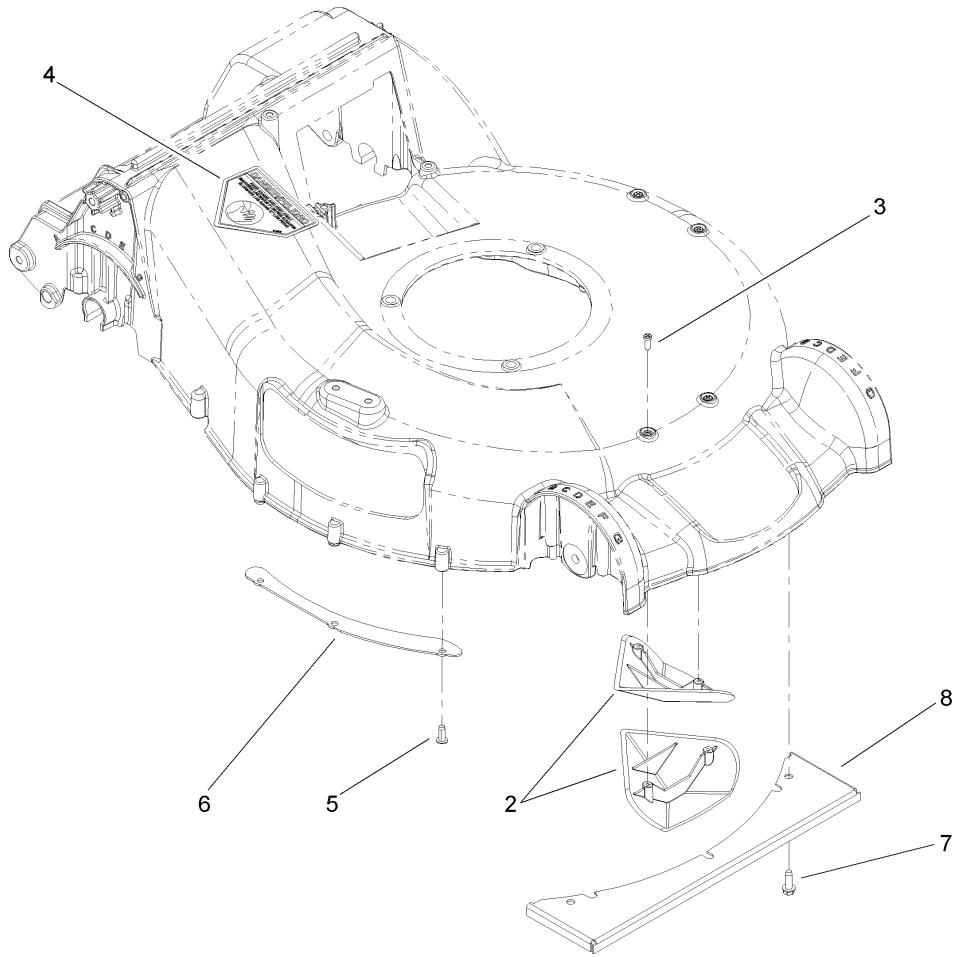
Footnotes

- | | |
|-------------------------------------------------------------------------------------------------------------------------------------------------------------------------------------------------------|-----------------------------------------------------------------------------------------------------------------------------------------------------------------------|
| <ul style="list-style-type: none"> ❶ Not serviced separately ❷ Included in Carburetor Overhaul Kit (Ref. No. 121) ❸ Included in Carburetor Gasket Set (Ref. No. 977) | <ul style="list-style-type: none"> ❹ Obtain parts from your local Briggs & Stratton dealer ❺ Included in Engine Gasket Set (Ref. No. 358) |
|-------------------------------------------------------------------------------------------------------------------------------------------------------------------------------------------------------|-----------------------------------------------------------------------------------------------------------------------------------------------------------------------|



Housing Assembly

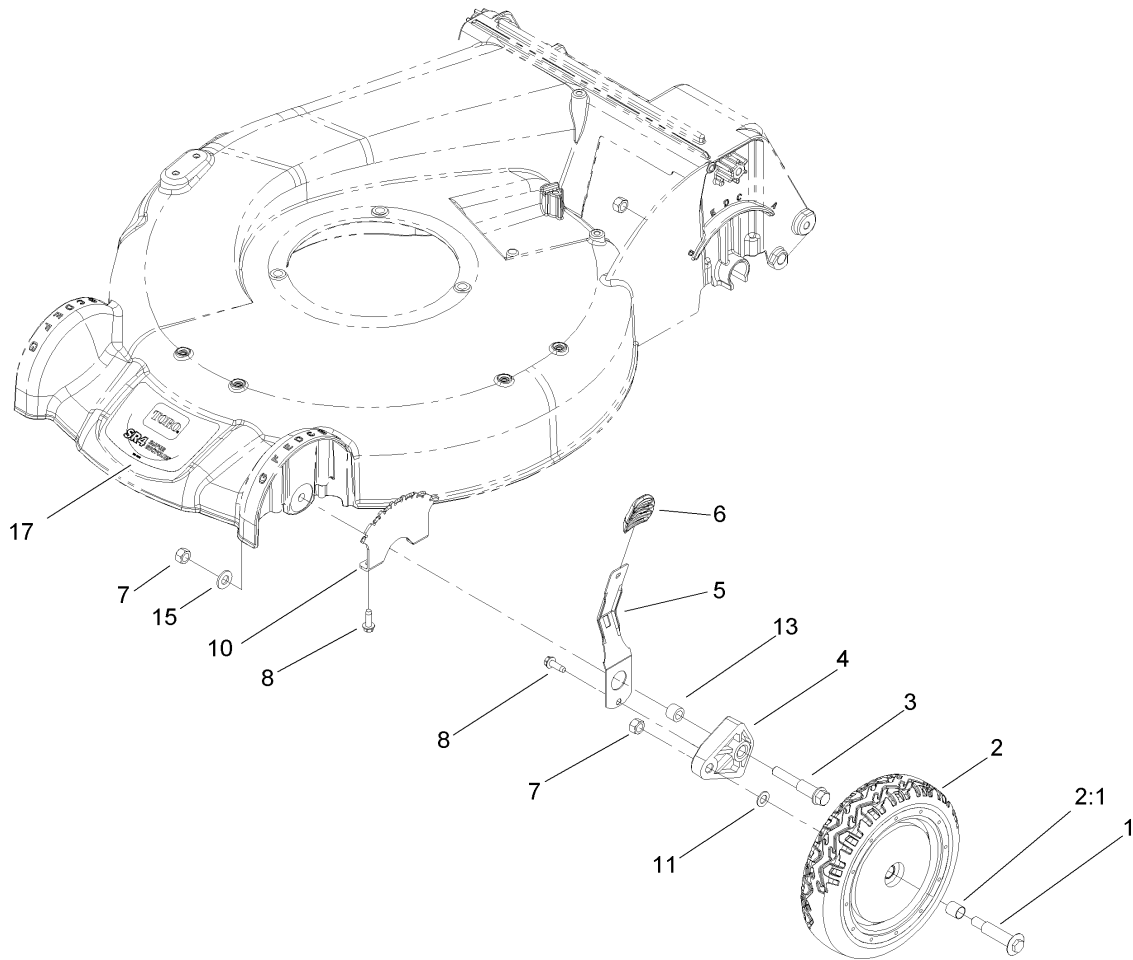
Ref	Part No.	Qty.	Description
1	105-1324	1	Rear Door ASM
1:2	104-7909	1	Decal-Warning
1:3	104-7908	1	Decal-Warning
2	49-2040	7	Screw-HWHTF
3	3290-337	1	Nut-Speed
4	107-7493	2	Plate-Support, Door
5	107-7490	1	Plug-Mulch
6	105-3032	1	Spring-Door, Rear
7	107-7496	1	Shield-Trailing
8	107-7497	1	Bracket-Cable, Traction
9	107-7494	1	Cover-Belt
10	107-7499	1	Rod-Support, Door
11	107-3717	1	Discharge Door ASM
11:2	107-0795	1	Latch-Door
11:3	107-7456	1	Cap-Door
11:4	107-7461	1	Screw-Plastite
12	3229-11	2	Screw-CARR
13	99-5293	1	Spring-Torsion
14	99-5291	1	Rod-Cover
15	99-5292	1	Bracket-Cover
16	108-3753	1	Chute-Discharge, Side
17	32128-32	2	Nut-HHF
18	108-8115	1	Housing ASM
21	107-7495	1	Tunnel-Discharge



Deck Assembly 108-8115

Ref	Part No.	Qty.	Description
2	108-3798	2	Kicker-Housing
3	32144-111	4	Screw-PPH
4	94-8072	1	Decal-Danger
5	63-8590	3	Screw
6	105-1316-03	1	Sheet-Lip
7	49-2040	3	Screw-HWHTF
8	108-3797-03	1	Plate-Cover, Front

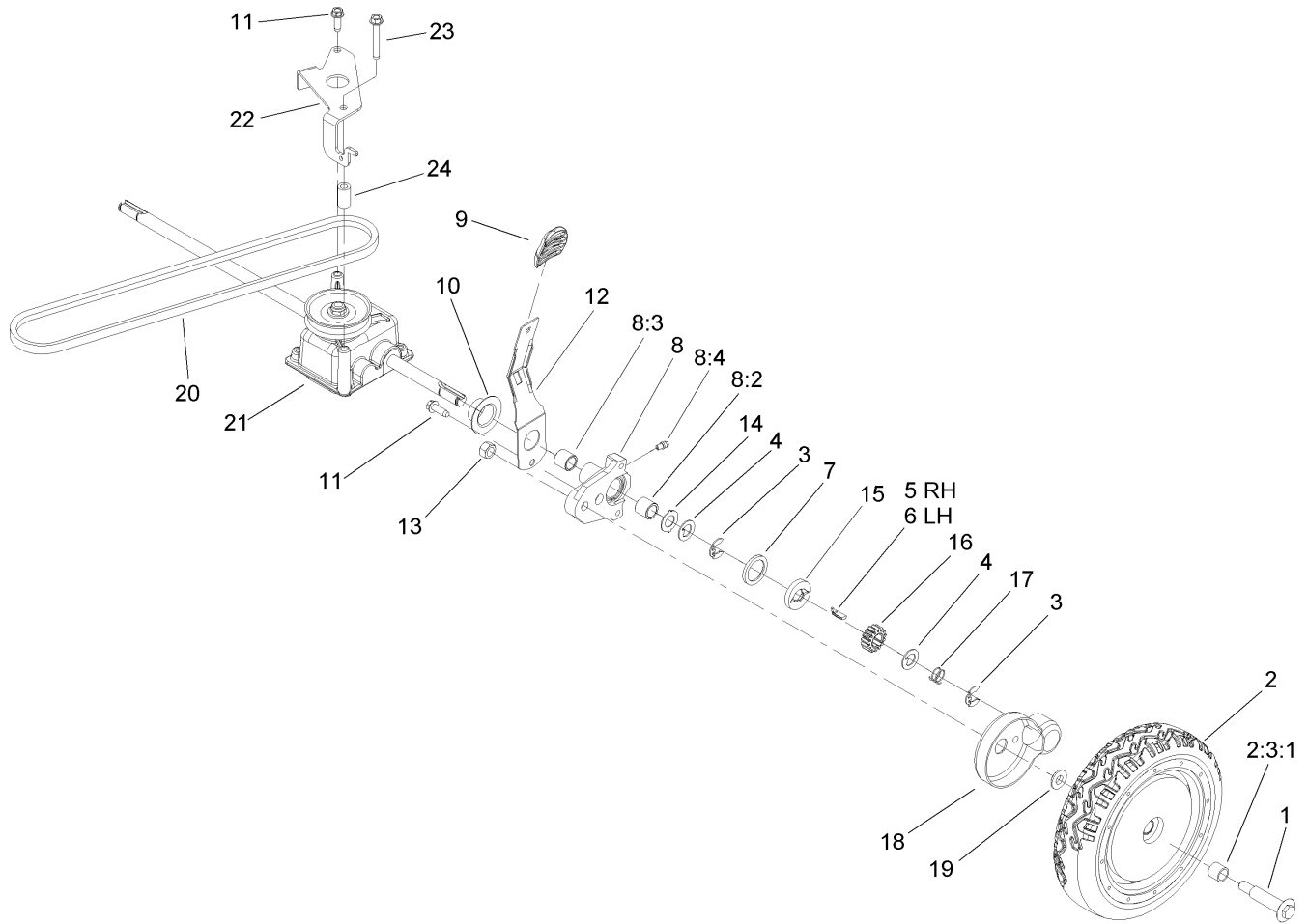
--	--	--	--



Height-of-Cut and Front Wheel Assembly

Ref	Part No.	Qty.	Description
1	92-1057	2	Bolt-Shoulder
2	107-3706	2	8 Inch Wheel ASM
2:1	27-6250	2	Bushing
3	107-7498	2	Screw-Shoulder, HOC
4	107-7492	2	Arm-Pivot
5	107-7491	2	Spring Arm
6	105-3042	2	Knob-Lever, HOC
7	603773	4	Nut
8	49-2040	13	Screw-HWHTF
10	107-7478	4	Plate-HOC
11	40-1940	2	Washer
13	52-2480	2	Spacer-Wheel
15	3256-24	2	Washer-Flat
17	108-4840	1	Decal

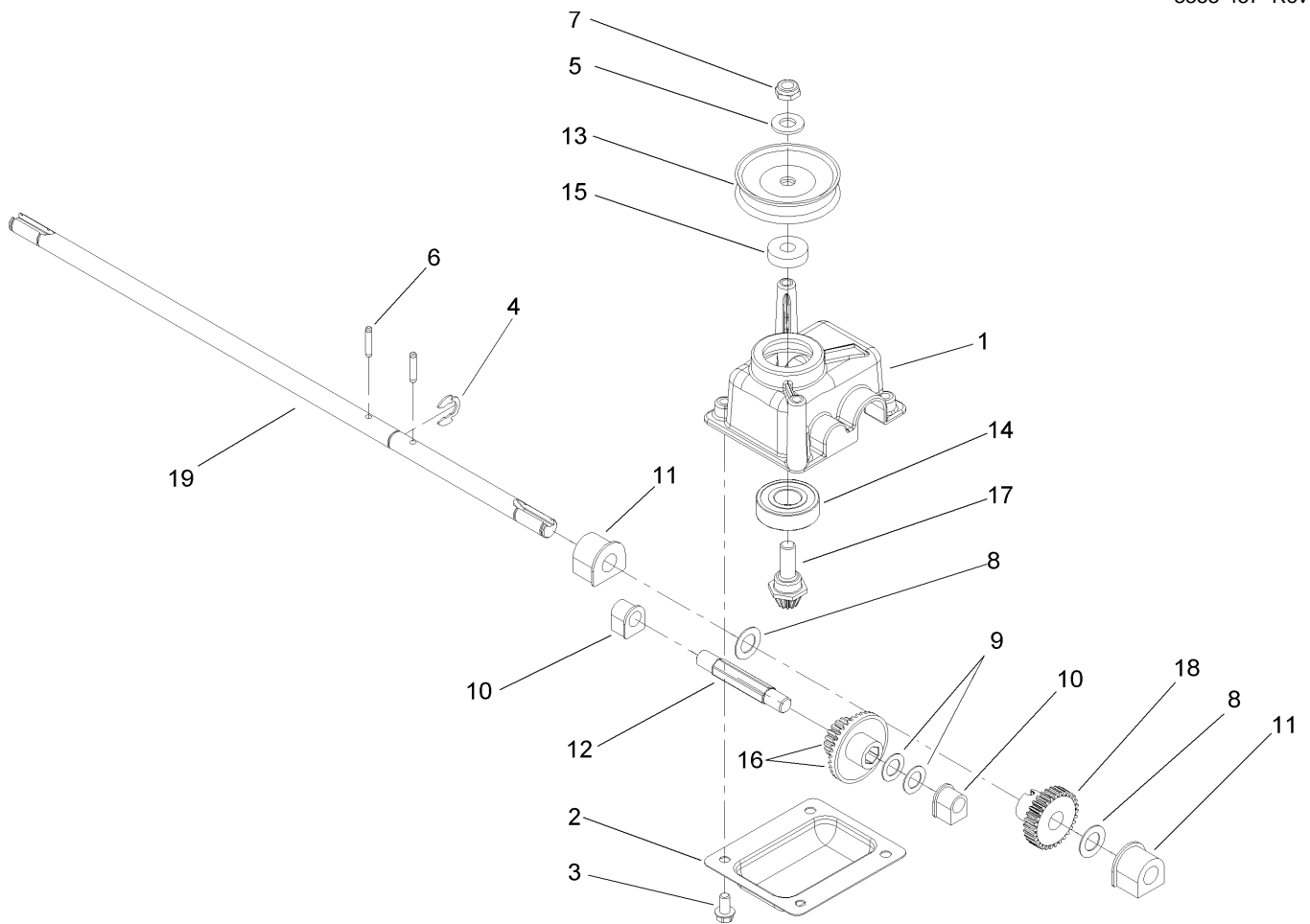
--	--	--	--



Rear Wheel and Gear Case Assembly

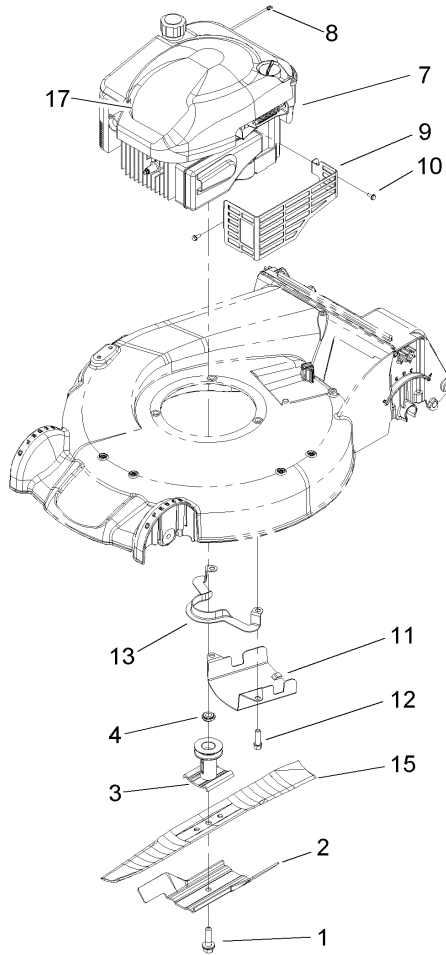
Ref	Part No.	Qty.	Description
1	92-1057	2	Bolt-Shoulder
2	107-3707	2	Wheel Gear ASM
2:3:1	27-6250	2	Bushing
3	65-2720	4	Klipring-Locking
4	65-4740	4	Washer-Thrust, Keyed
5	66-6040	1	Key-Rocking, RH
6	66-6050	1	Key-Rocking, LH
7	65-4710	2	Ring-Friction
8	100-8774	2	Pivot Arm ASM
8:2	47-2900	1	Bushing
8:3	70-9760	1	Bushing
8:4	302-56	1	Fitting-Grease
9	105-3042	2	Knob-Lever, HOC
10	42-3520	2	Cap-End
11	49-2040	3	Screw-HWHTF
12	107-7491	2	Spring Arm
13	603773	2	Nut
14	65-4730	2	Washer-Arm, Pivot
15	65-4760	2	Washer-Clutch
16	65-4750	2	Gear-Pinion
17	65-4720	2	Spring-Compression
18	74-1660	2	Cover-Wheel
19	74-1671	2	Spacer-Cover, Wheel
20	99-1597	1	V-Belt

Ref	Part No.	Qty.	Description
21	108-8140	1	Gear Case ASM
22	107-7483-03	1	Bracket-Gearbox
23	92-1616	1	Screw-HWHTF
24	614673	1	Bushing-Plate, Actuator



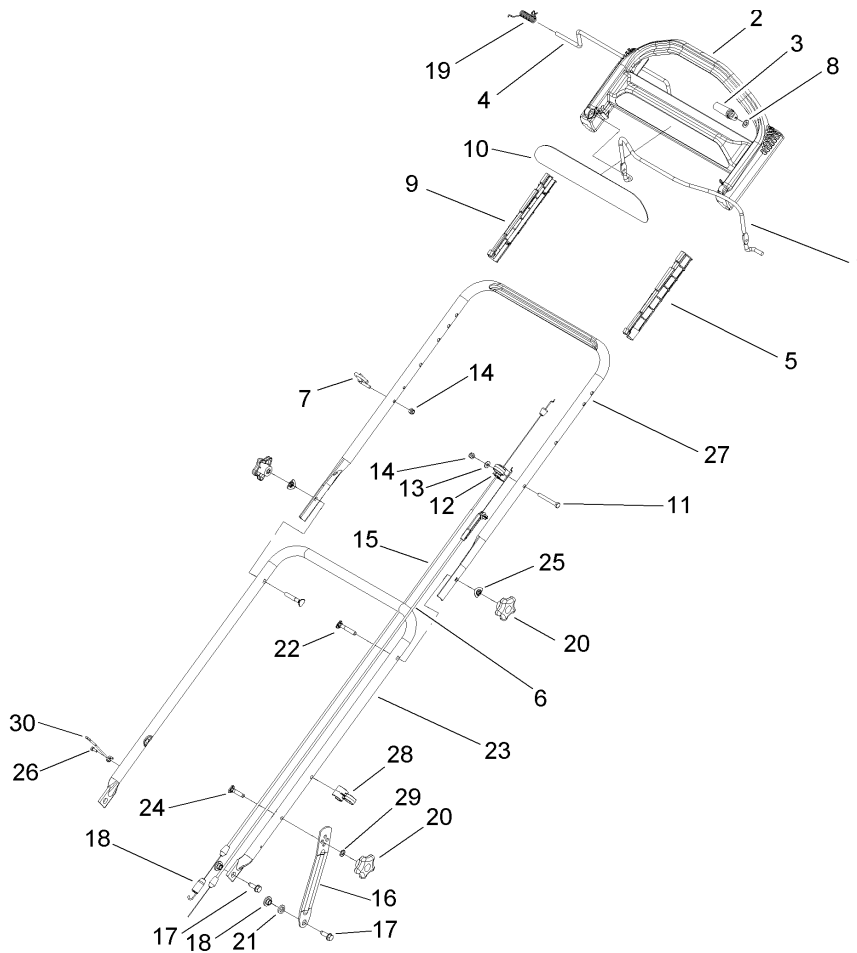
Gear Case Assembly No. 108-8140

Ref	Part No.	Qty.	Description
1	104-7619	1	Case-Gear
2	614668-03	1	Cover-Case, Gear
3	32144-4	4	Screw-HWH
4	32151-68	1	Ring-Retaining
5	3256-24	1	Washer-Flat
6	3285-19	2	Pin-Groove
7	3296-5	1	Nut-Lock
8	36-4780	2	Washer
9	36-4791	2	Washer-Thrust
10	60-8750	2	Bushing
11	60-8850	2	Bushing
12	614696	1	Shaft-Intermediate
13	100-1176	2	Pulley-Half
14	100-1048	1	Bearing-Ball
15	62-6660	1	Spacer
16	104-1005	1	Gear-19T Spur, 37T Bevel
17	104-7667	1	Gear-Pinion, Bevel
18	104-1004	1	Gear-30T
19	108-8141	1	Shaft-Output



Engine and Blade Assembly

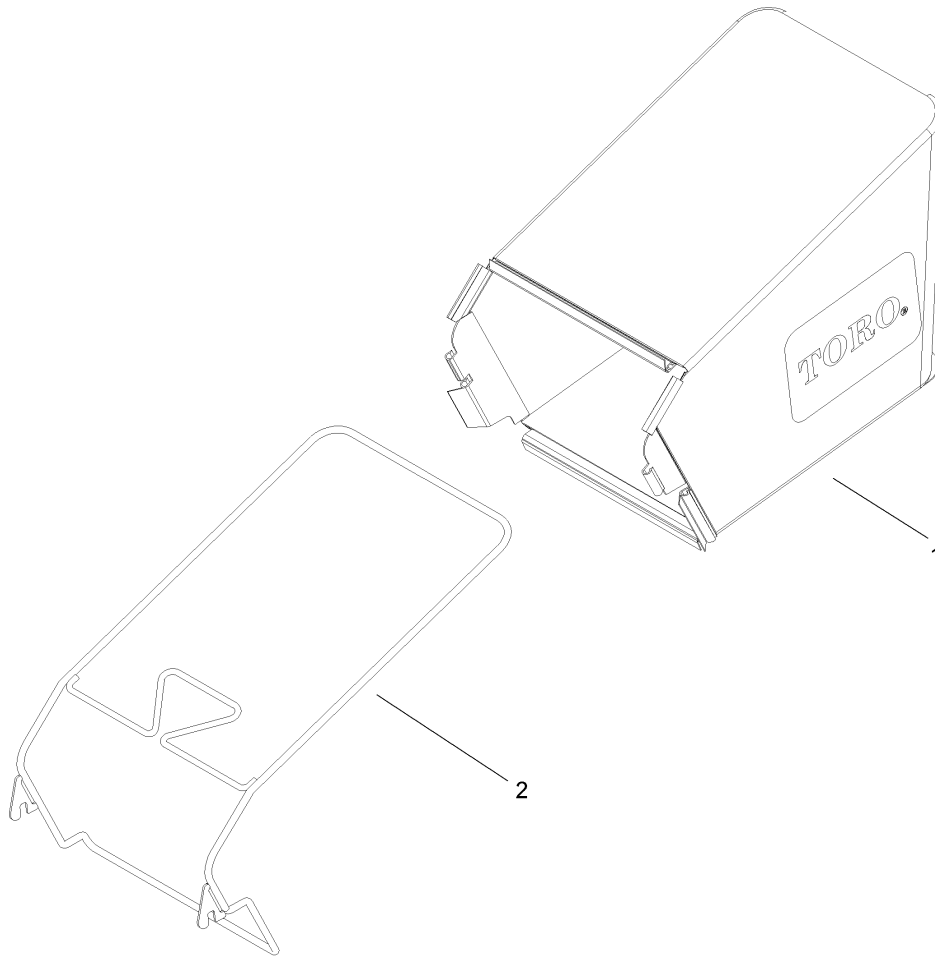
Ref	Part No.	Qty.	Description				
1	105-8579	1	Bolt-Blade				
2	105-6848-03	1	Accelerator-Blade				
3	106-3987	1	Blade Driver ASM				
4	106-3999	1	Spacer-Driver				
1 27		1	Engine-Briggs And Stratton, 125K02-0193-E1				
8	2210-316	1	Stop-Rope				
9	104-7577-03	1	Shield-Muffler				
10	32144-1	3	Screw-Taptite				
11	107-7489-03	1	Shield-Grass				
12	95-1727	3	Screw-Taptite				
13	108-8110-03	1	Guide-Belt				
15	108-3762-03	1	Blade-Recycling				
17	108-8135	1	Decal-Recoil				



Handle Assembly

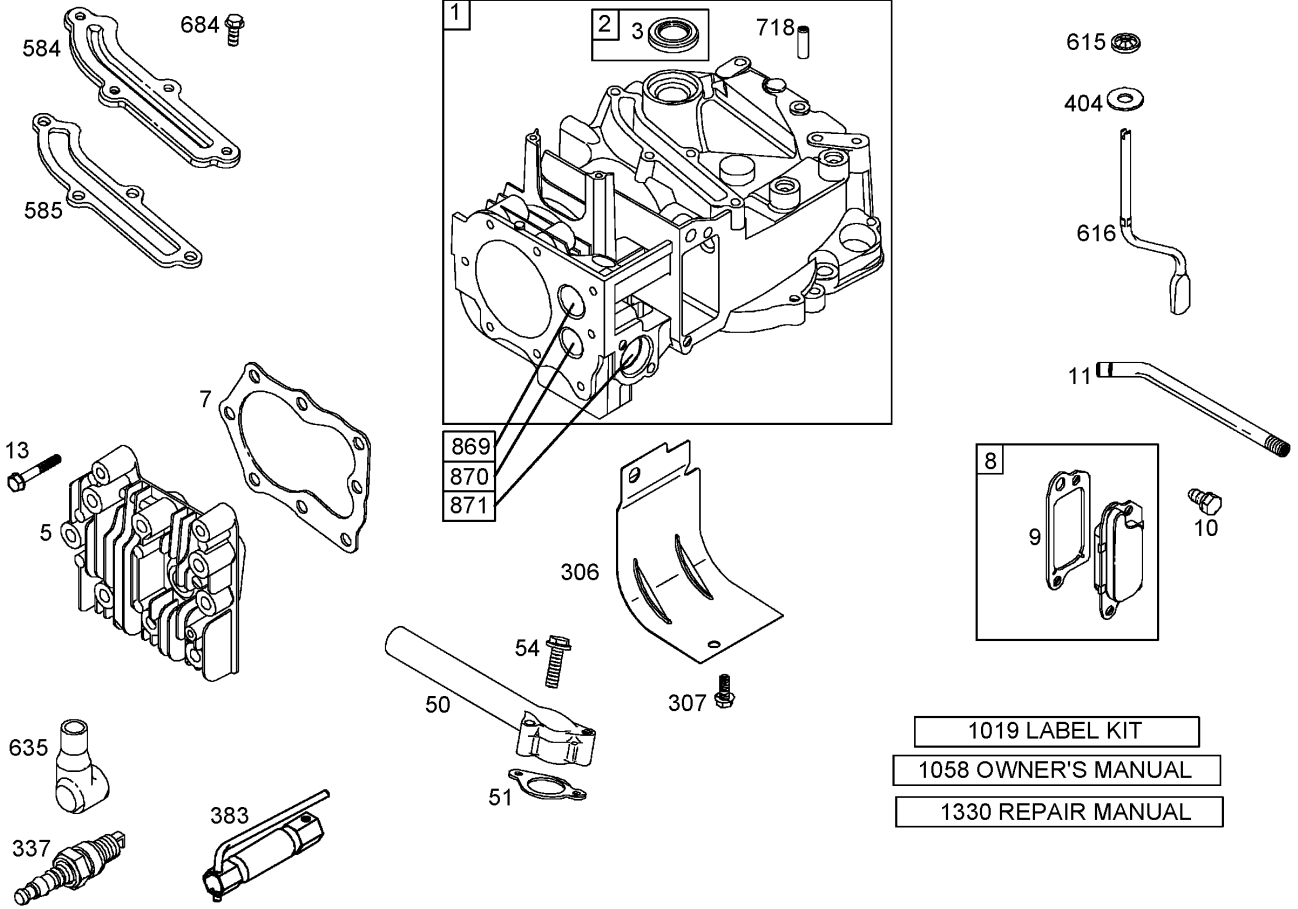
Ref	Part No.	Qty.	Description
1	104-8679-03	1	Bail-Brake
2	104-8678	1	Handle-Control
3	99-1589	1	Lever-Traction
4	99-1588	1	Bar-Control, Traction
5	105-6842	1	Guide-LH
6	106-5750	1	Cable-Brake
7	86-9671	1	Guide-Rope
8	3256-23	1	Washer-Flat
9	105-6841	1	Guide-RH
10	108-8136	1	Decal-Handle
11	95-4453	1	Screw
12	99-5239	1	Anchor-Cable
13	3256-1	1	Washer-Flat
14	3296-73	2	Nut-Lock, NI
15	107-3790	1	Cable-Traction
16	107-3780-03	2	Support-Handle
17	701243	4	Screw-HWHTF
18	27-6600	4	Spacer-Coupling
19	104-8690	1	Spring-Torsion
20	106-4161	4	Knob-Handle
21	55-9670	2	Washer
22	92-2260	2	Screw-Handle
23	107-7476-05	1	Handle-Lower
24	92-4095	2	Screw-Handle

Ref	Part No.	Qty.	Description
25	107-3844	2	Washer
26	32144-53	1	Screw-SHWH
27	107-3781-05	1	Handle-Upper
28	106-6805	1	Guide-Cable
29	3255-8	2	Washer-Lock
30	108-9452	1	Hook-Rope, Displacement



Grass Bag Assembly

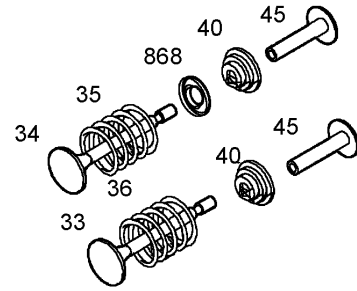
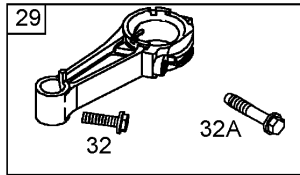
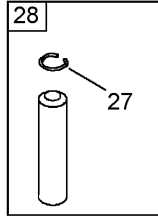
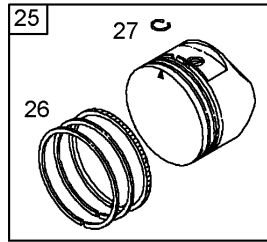
Ref	Part No.	Qty.	Description
1	107-3779	1	Grass Bag ASM
2	107-3785-03	1	Bag Frame ASM



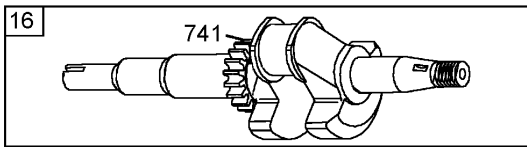
Cylinder Assembly Briggs and Stratton 125K02-0193-E1

Ref	Part No.	Qty.	Description
1	697322	1	Cylinder ASM
2	399269	1	Bushing/Seal Kit
3	299819	1	Seal-Oil
5	691160	1	Head-Cylinder
7	692249	1	Gasket-Head, Cylinder
8	695250	1	Breather ASM
9	699472	1	Gasket-Breather
10	691125	1	Screw
11	691781	1	Tube-Breather
13	690912	1	Screw
50	497465	1	Manifold-Intake
51	272199	1	Gasket-Intake
54	691650	1	Screw
306	690450	1	Shield-Cylinder
307	690345	1	Screw
337	802592	1	Plug-Spark
383	89838	1	Wrench-Plug, Spark
404	690272	1	Washer
584	697734	1	Cover-Passage, Breather
585	691879	1	Gasket-Passage, Breather
615	690340	1	Retainer-Shaft, Governor
616	698801	1	Crank-Governor
635	66538	1	Boot-Plug, Spark
684	690345	1	Screw

Ref	Part No.	Qty.	Description
718	690959	1	Pin-Locating
869	691155	1	Seat-Valve (Intake)
870	690380	1	Seat-Valve (Exhaust)
871	262001	1	Bushing-Guide (Exhaust)
871	63709	1	Bushing-Guide (Intake)
1019	494256	1	Label Kit
1058	275177	1	Manual-Owner's
1330	270962	1	Manual-Repair



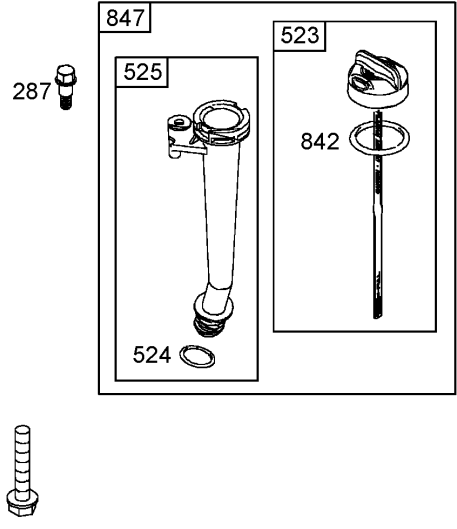
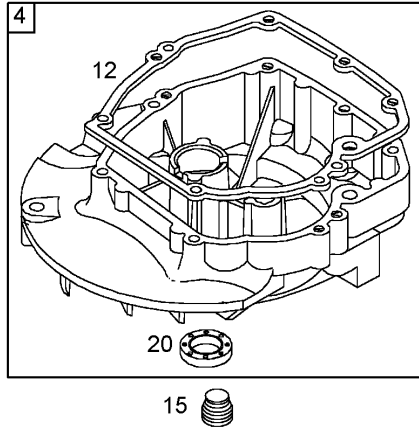
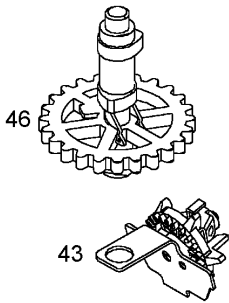
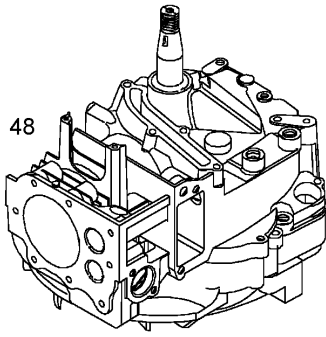
24



Crankshaft Assembly Briggs and Stratton 125K02-0193-E1

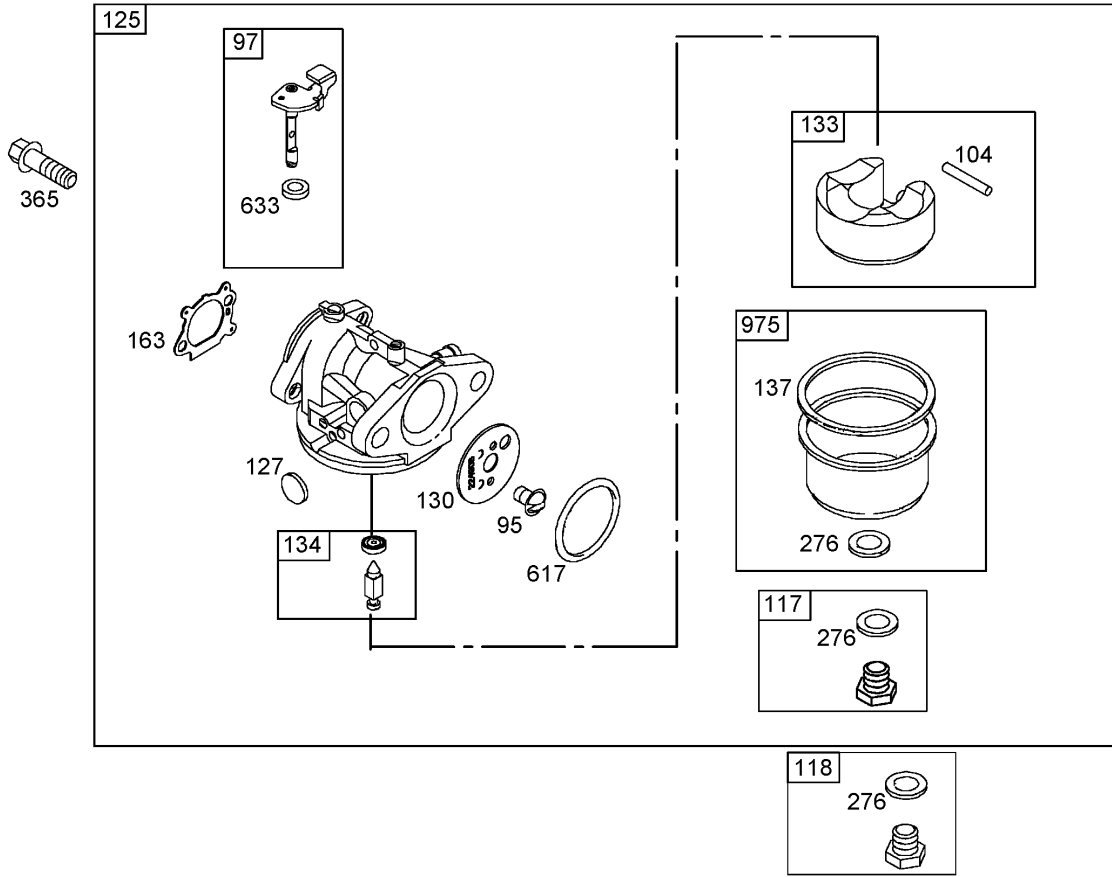
Ref	Part No.	Qty.	Description
16	696009	1	Crankshaft
24	222698	1	Key
25	790359	1	Piston ASM (Standard)
25	791326	1	Piston ASM (.020In Oversize)
26	790360	1	Ring Set (Standard)
26	791324	1	Ring Set (.020In Oversize)
27	691866	1	Lock-Pin, Piston
28	499423	1	Pin-Piston
28	298908	1	Pin-Piston (.005In Undersize)
29	499424	1	Rod-Connecting
32	691664	1	Screw
32A	695759	1	Screw
33	262651	1	Valve-Exhaust
34	262652	1	Valve-Intake
35	691270	1	Spring-Valve
36	691270	1	Spring-Valve
40	692194	1	Retainer-Valve
45	690548	1	Tappet-Valve
741	790345	1	Gear-Timing
868	697338	1	Seal-Valve

--	--	--	--



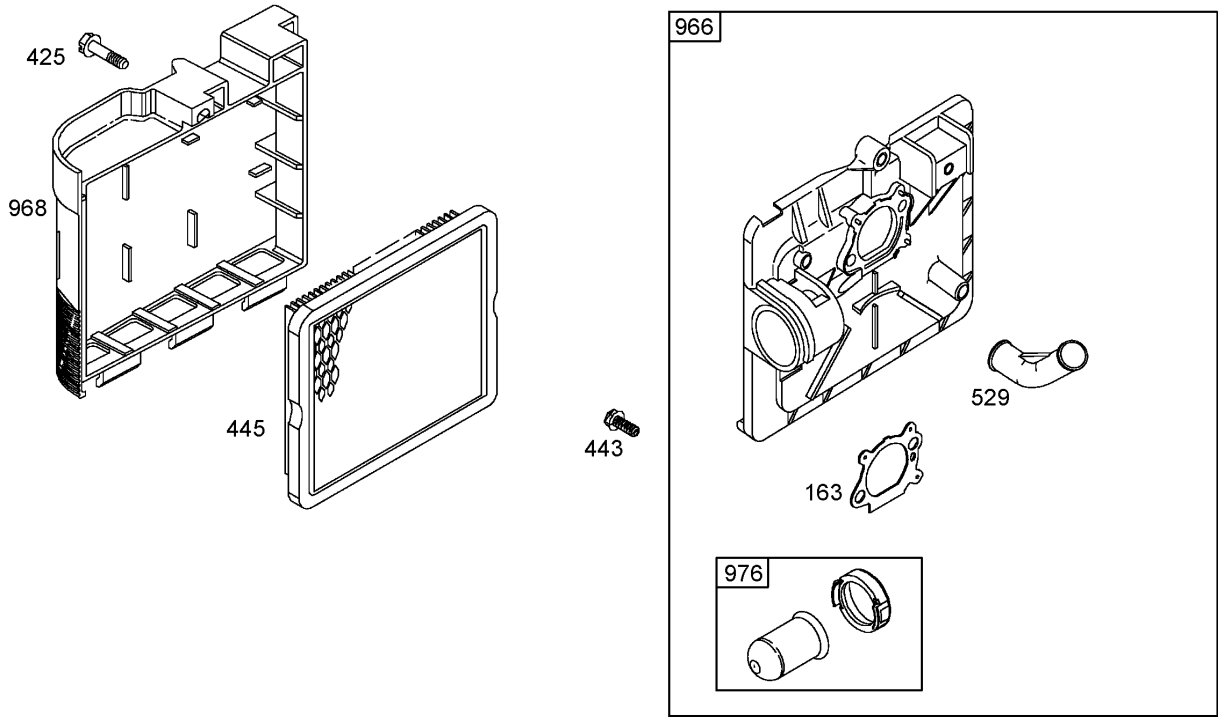
Crankcase Assembly Briggs and Stratton 125K02-0193-E1

Ref	Part No.	Qty.	Description
②4	493279	1	Sump-Engine
②④12	692232	1	Gasket-Crankcase
②15	691680	1	Plug-Drain, Oil
②④20	399781	1	Seal-Oil
②22	691092	1	Screw (Engine Sump)
②43	691997	1	Slinger-Governor/Oil
②46	691449	1	Camshaft
②48	696276	1	Short Block
②287	690940	1	Screw (Dipstick Tube)
②523	499621	1	Dipstick
②④524	692296	1	Seal-O Ring
②525	495265	1	Tube-Dipstick
②④842	691031	1	Seal-O Ring
②847	692047	1	Dipstick/Tube ASM



Carburetor Assembly Briggs and Stratton 125K02-0193-E1

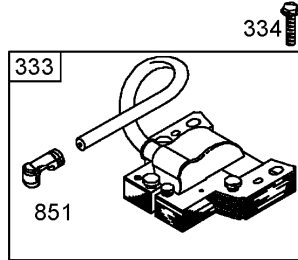
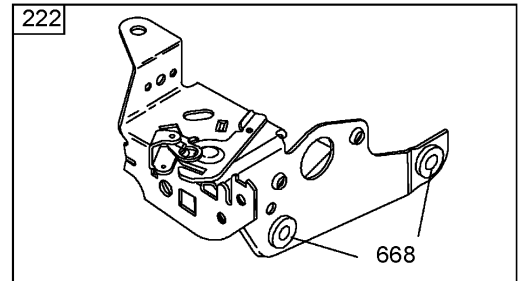
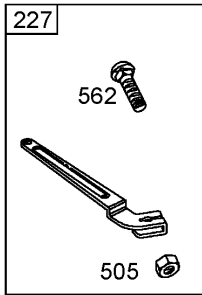
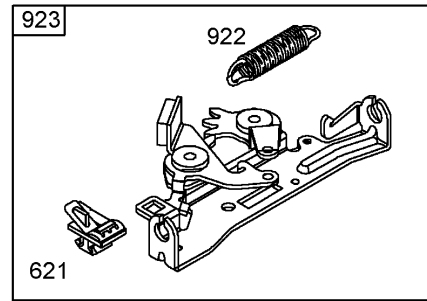
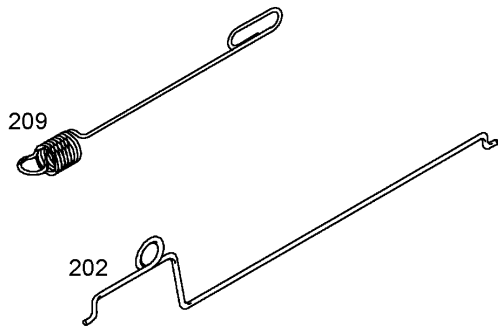
Ref	Part No.	Qty.	Description
② 95	691636	1	Screw
② 97	696565	1	Shaft-Throttle
② ③ 104	691242	1	Pin-Hinge, Float
② 117	498978	1	Jet-Main (Standard)
② 118	497466	1	Main Jet (High Altitude)
② 125	498170	1	Carburetor
② ③ 127	694468	1	Plug-Welch
② 130	696564	1	Valve-Throttle
② 133	398187	1	Float-Carburetor
② ③ 134	398188	1	Needle/Seat Kit
② ③ 137	693981	1	Gasket-Bowl, Float
⑤			
② ③ 163	272653	1	Gasket-Cleaner, Air
④ ⑤			
② ③ 276	271716	1	Washer-Sealing
⑤			
② 365	692524	1	Screw (Carburetor)
② ③ 617	270344	1	Seal-O Ring
⑤			
② ③ 633	691321	1	Seal
⑤			
② 975	493640	1	Bowl-Float



Air Cleaner Assembly Briggs and Stratton 125K02-0193-E1

Ref	Part No.	Qty.	Description
② ③ 163 ① ⑤	272653	1	Gasket—Cleaner, Air
② 425	690670	1	Screw
② 443	692523	1	Screw (Air Cleaner Primer Base)
② 445	491588	1	Filter—Cartridge, Air Cleaner
② 529	691923	1	Grommet
② 966	496116	1	Base—Primer, Air Cleaner
② 968	692298	1	Cover—Cleaner, Air
② 976	694395	1	Primer—Carburetor

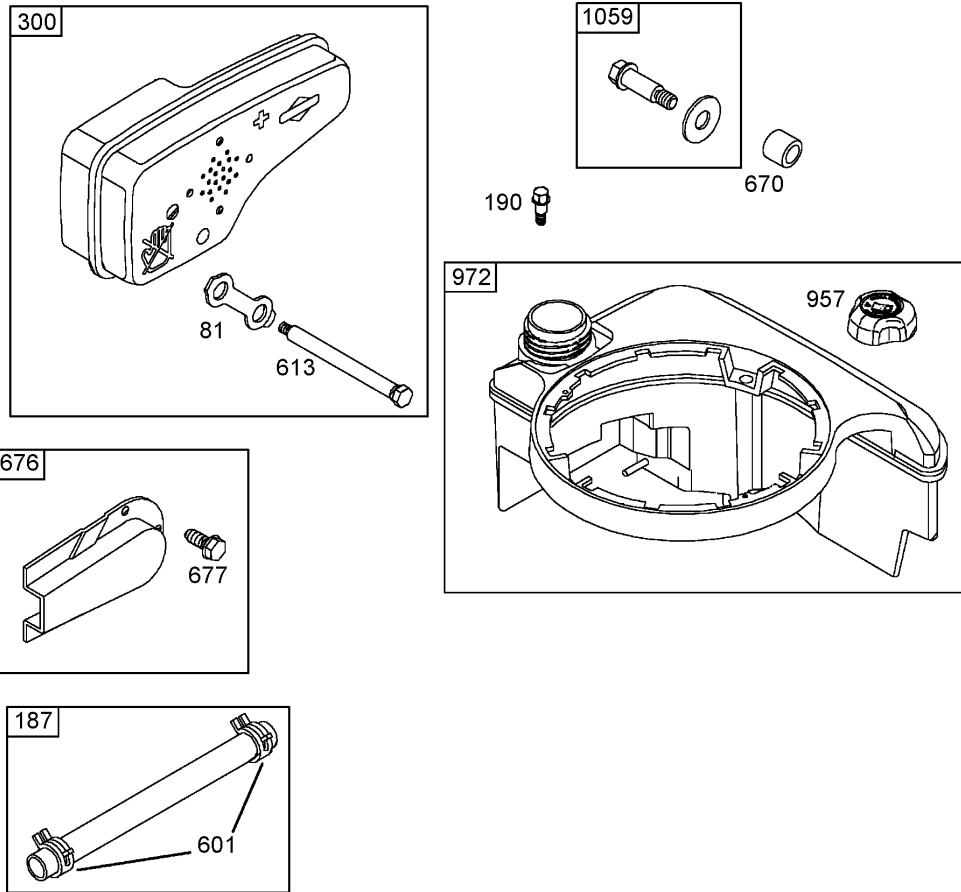
--	--	--	--



Governor Assembly Briggs and Stratton 125K02-0193-E1

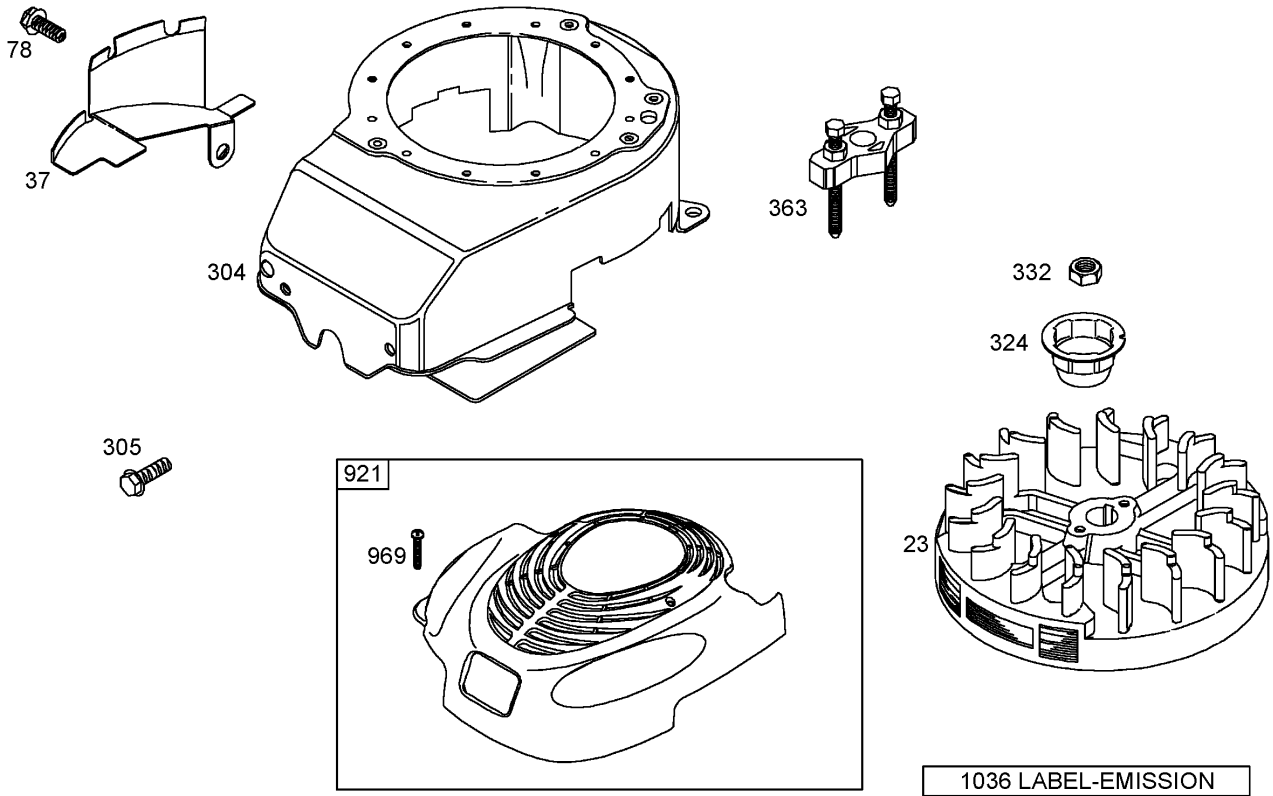
Ref	Part No.	Qty.	Description
②188	693399	1	Screw
②202	691829	1	Link-Governor, Mechanical
②209	691852	1	Spring-Governor
②222	791128	1	Bracket-Control
②227	690783	1	Lever-Control, Governor
②333	802574	1	Armature-Magneto
②334	691061	1	Screw
②356	692390	1	Wire-Stop
②505	691251	1	Nut
②562	691119	1	Screw
②621	692310	1	Switch-Stop
②④668	493823	1	Spacer
②745	691648	1	Screw
②851	493880	1	Terminal-Plug, Spark
②922	691831	1	Spring-Brake
②923	691994	1	Brake ASM

--	--	--	--



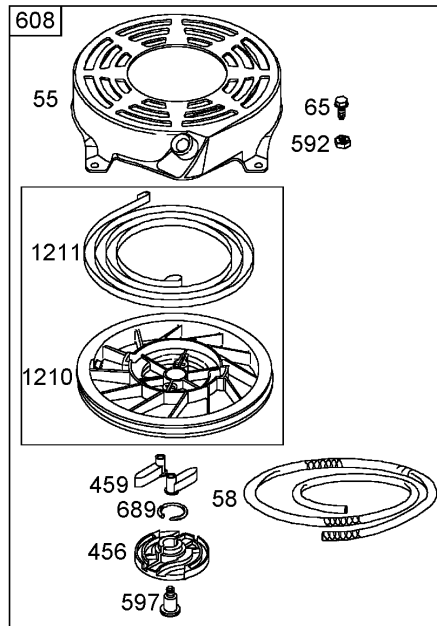
Muffler and Fuel Tank Assembly Briggs and Stratton 125K02-0193-E1

Ref	Part No.	Qty.	Description
●81	691740	1	Lock-Screw, Muffler
●187	691050	1	Line-Fuel (Cut To Required Length)
●190	690940	1	Screw (Fuel Tank)
●300	692038	1	Muffler
●601	95162	1	Clamp-Hose
●613	691340	1	Screw
●670	692294	1	Spacer-Tank, Fuel
●676	493871	1	Deflector-Muffler
●677	690661	1	Screw
●957	692046	1	Cap-Tank, Fuel
●972	699374	1	Tank-Fuel
●1059	692311	1	Screw/Washer Kit



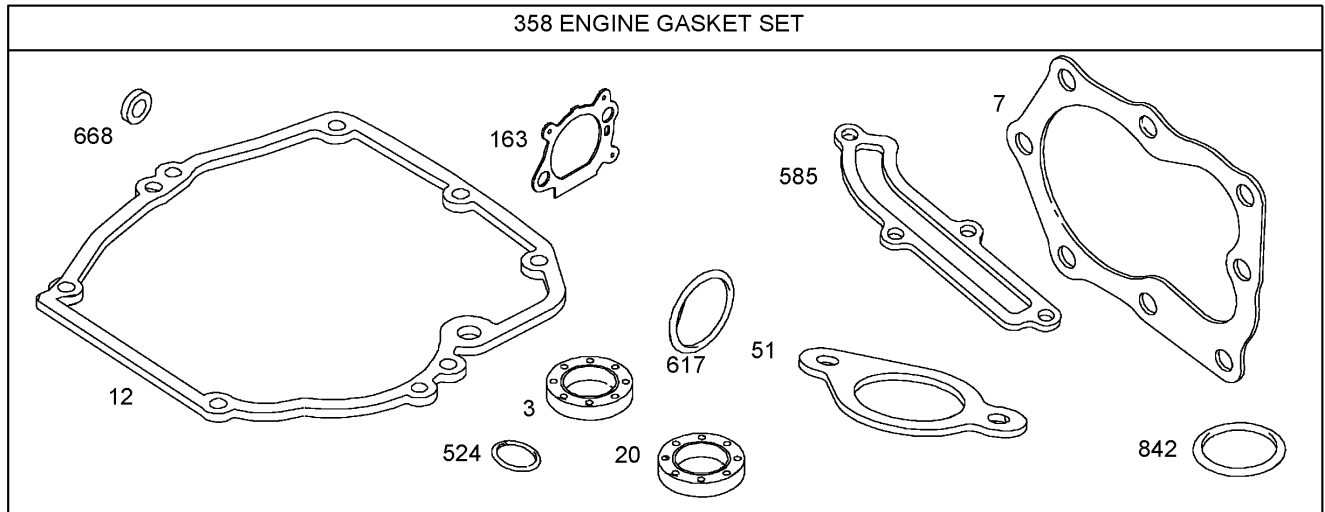
Blower Housing Assembly Briggs and Stratton 125K02-0193-E1

Ref	Part No.	Qty.	Description
23	692315	1	Flywheel
37	694086	1	Guard-Flywheel
78	691108	1	Screw
304	493293	1	Housing-Blower
305	691108	1	Screw (Blower Housing)
324	695161	1	Cup/Screen ASM
332	690662	1	Nut
363	19069	1	Puller-Flywheel
921	790036	1	Cover-Housing, Blower
969	691138	1	Screw
1036	790411	1	Label-Emission



Starter Assembly Briggs and Stratton 125K02-0193-E1

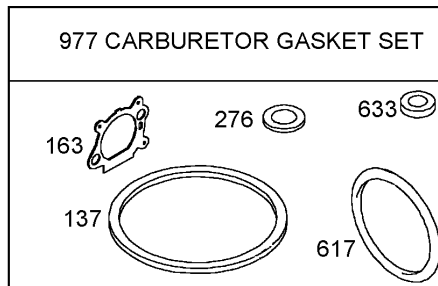
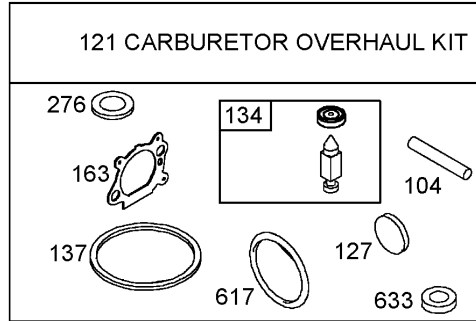
Ref	Part No.	Qty.	Description				
②55	691421	1	Housing-Starter, Rewind				
②58	791362	1	Rope-Starter (Cut To Required Length)				
②65	690837	1	Screw				
②456	692299	1	Plate-Friction, Pawl				
②459	281505	1	Ratchet-Pawl				
②592	690800	1	Nut				
②597	691696	1	Screw				
②608	791363	1	Starter-Rewind				
②689	691855	1	Spring-Friction				
②1210	498144	1	Pulley/Spring ASM (Pulley)				
②1211	498144	1	Pulley/Spring ASM (Spring)				



358 Gasket Set Assembly Briggs and Stratton 125K02-0193-E1

Ref	Part No.	Qty.	Description
23	299819	1	Seal-Oil (Magneto Side)
27	692249	1	Gasket-Head, Cylinder
212	692232	1	Gasket-Crankcase
220	399781	1	Seal-Oil (PTO Side)
251	272199	1	Gasket-Intake
2163	272653	1	Gasket-Cleaner, Air
2358	497316	1	Gasket Set-Engine
2524	692296	1	Seal-O Ring (Dipstick Tube)
2585	691879	1	Gasket-Passage, Breather
2617	270344	1	Seal-O Ring (Intake Manifold)
2668	493823	1	Spacer
2842	691031	1	Seal-O Ring (Dipstick)

--	--	--	--	--



121 Carburetor Overhaul Kit and 977 Carburetor Gasket Set Assemblies Briggs and Stratton 125K02-0193-E1

Ref	Part No.	Qty.	Description				
②104	691242	1	Pin-Hinge, Float				
②121	498260	1	Carburetor Overhaul Kit				
②127	694468	1	Plug-Welch				
②134	398188	1	Needle/Seat Kit				
②137	693981	1	Gasket-Bowl, Float				
②④163	272653	1	Gasket-Cleaner, Air				
②276	271716	1	Washer-Sealing				
②④617	270344	1	Seal-O Ring (Intake Manifold)				
②633	691321	1	Seal (Choke/Throttle Shaft)				
②977	498261	1	Gasket Set-Carburetor				

NOTES

NOTES

