



Backhoe Dingo[®] Compact Utility Loader

Model No. 23163 - 250000001 and up.

Parts Catalog

Ordering Replacement Parts

To order replacement parts, please supply the part number, the quantity, and the description of each part desired.

Understanding Reference Numbers

Each Identified part in an illustration has a reference number. The reference number for a part also appears in the parts list, along with other information about the part.

This catalog uses two special reference number formats, one to indicate parts in a service assembly and another to indicate the quantity of a given part in an illustration.

Service Assembly Reference Numbers

Parts in service assemblies have reference numbers in the form a:b. The a represents the reference number of the entire service assembly and the b represents a sequential number unique to each part within the service assembly.

For example, a wheel assembly might be identified by reference number 6, the tire by 6:1, the valve by 6:2, and the wheel by 6:3. When you order the assembly identified by reference number 6, you receive all parts identified by reference numbers 6:1, 6:2, and 6:3. However, you may also order any part individually. Reference numbers of this type appear in illustrations and in part lists.

Reference Numbers Indicating Quantity

In an illustration, if a reference number indicates more than one part, the reference number has the form nX y. The n represents the quantity of the part, the X is the multiplication symbol, and the y represents the reference number.

For example, in an illustration, the reference number 2X 37 means that two of the parts identified by reference number 37 are indicated.

Contents

Description	Page	Description	Page
Main and Swing Frame Assembly 3	Hydraulic Cylinder Assembly 107-9474 14
Hydraulic Cylinder Assembly 107-9473 4	Boom Assembly 15
Seat and Control Assembly 5	Hydraulic Cylinder Assembly 107-9472 16
Hydraulic Valve Assembly 108-5680 7	Bucket and Dipperstick Assembly 17
Relief Valve Assembly 108-5698 8	Hydraulic Cylinder Assembly 107-9471 18
Valve Section Assembly No. 108-5694 9	Auxiliary Hydraulic Connection Assembly 19
Valve Section Assembly No. 108-5696 10	Boom, Bucket and Dippersticker Hydraulic Assembly 20
Valve Section Assembly No. 108-5697 11	Stabilizer and Swing Hydraulic Assembly 21
Valve Section Assembly No. 108-5695 12	Attachments and Accessories List 22
Stabilizer Leg Assembly 13		

Part Description Abbreviations

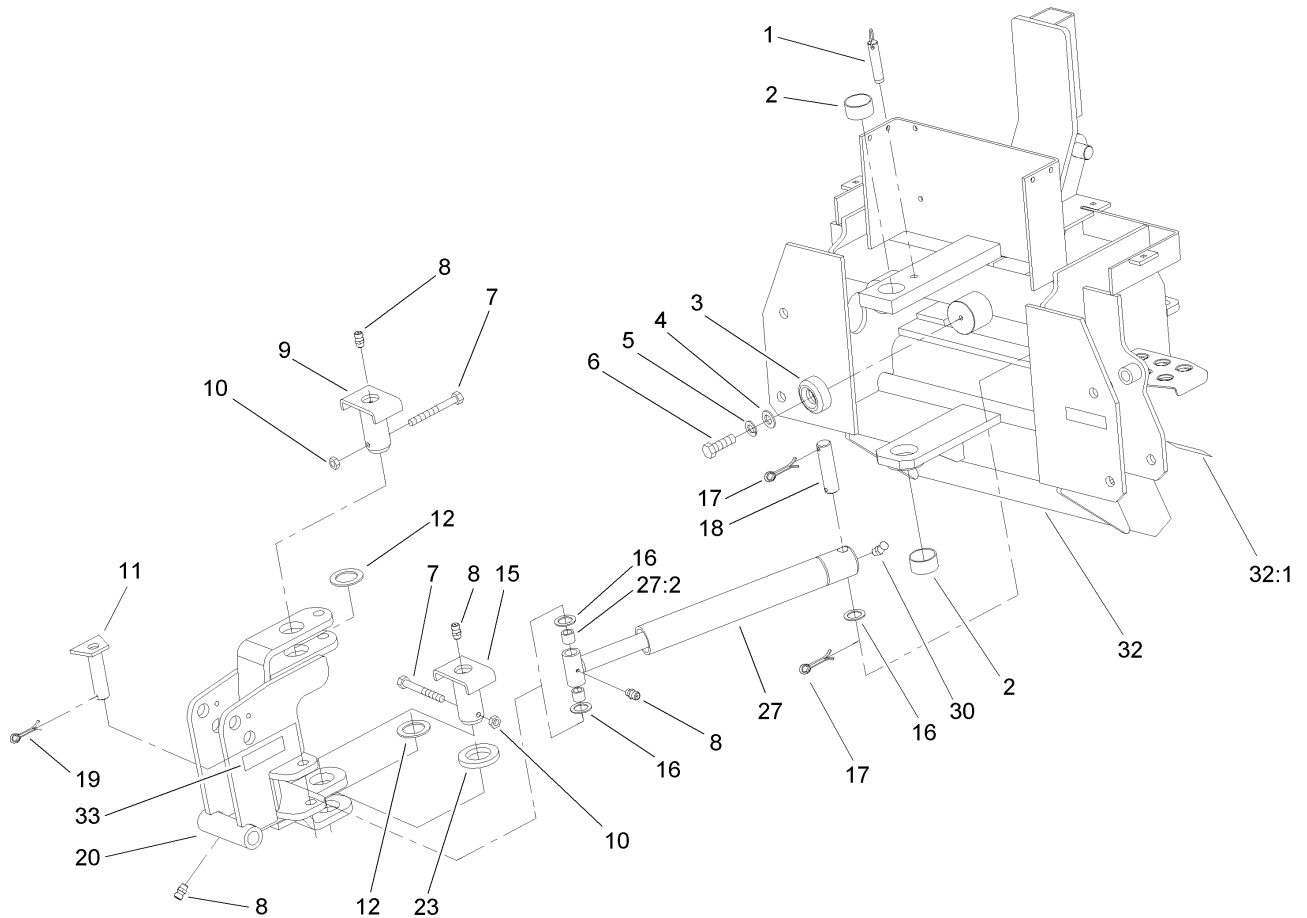
Part descriptions in this catalog may include the following abbreviations.

AR. as required	HYD. hydraulic
ASM. assembly	INC. incorporated
BBC. Blade Brake Clutch	LH. left hand
CARR. carriage	NI. nylon insert
DEG. degrees	NPTF. national pipe thread fine
EXT. external	PPH. phillips pan head
FH. flat head	PPHTF. phillips pan head thread forming
GA. gauge	PRH. phillips round head
HF. hex flange	PTH. phillips truss head
HH. hex head	PTO. power take off
HHF. hex head flange	RH. right hand
HHFTF. hex head flange thread forming	ROPS. roll over protection system
HJ. hex jam	SFH. slotted fillister head
HLH. hex lag head	SHH. slotted hex head
HOC. height-of-cut	SHWH. slotted hex washer head
HSBH. hex socket button head	SPH. slotted pan head
HSFH. hex socket flat head	SQH. square head
HSH. hex socket head	SRH. slotted round head
HWH. hex washer head	STD. standard
HWHTF. hex washer head thread forming	TAP. self tapping

Footnotes

❶ Not illustrated

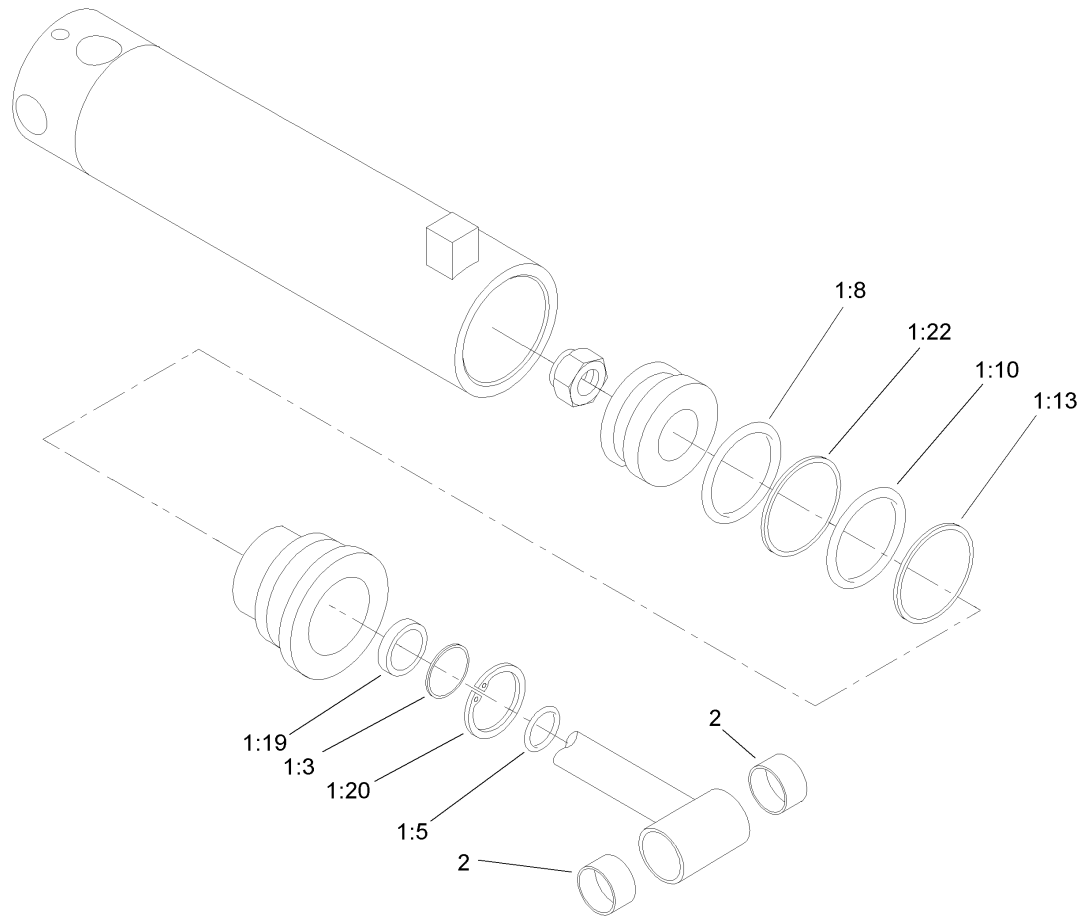
❷ Not serviced separately



Main and Swing Frame Assembly

Ref	Part No.	Qty.	Description
1	107-9342	1	Pin-Hitch
2	107-9338	2	Bushing
3	108-1605	2	Bumper-Recess
4	3256-23	2	Washer-Flat
5	3253-4	2	Washer-Lock
6	3210-7	2	Screw-HH
7	322-32	2	Screw-HH
8	302-5	5	Fitting-Grease
9	108-5662	1	Upper Pivot Pin ASM
10	3296-4	2	Nut-Lock
11	108-5660	2	Swing Cylinder Pin ASM
12	107-9336	8	Spacer
15	108-5657	1	Pivot Pin ASM
16	86-1440	6	Washer-Flat
17	3272-22	4	Pin-Cotter
18	108-5658	2	Pin-Pivot
19	3272-30	2	Pin-Cotter
20	107-9495	1	Swing Frame ASM
23	107-9348	1	Washer-Thrust
27	107-9473	2	Hydraulic Cylinder ASM
27:2	256-82	2	Bushing
30	302-11	2	Fitting-Lube, 45 DEG
32	107-9493	1	Main Frame ASM
32:1	100-7263	2	Decal-Warning

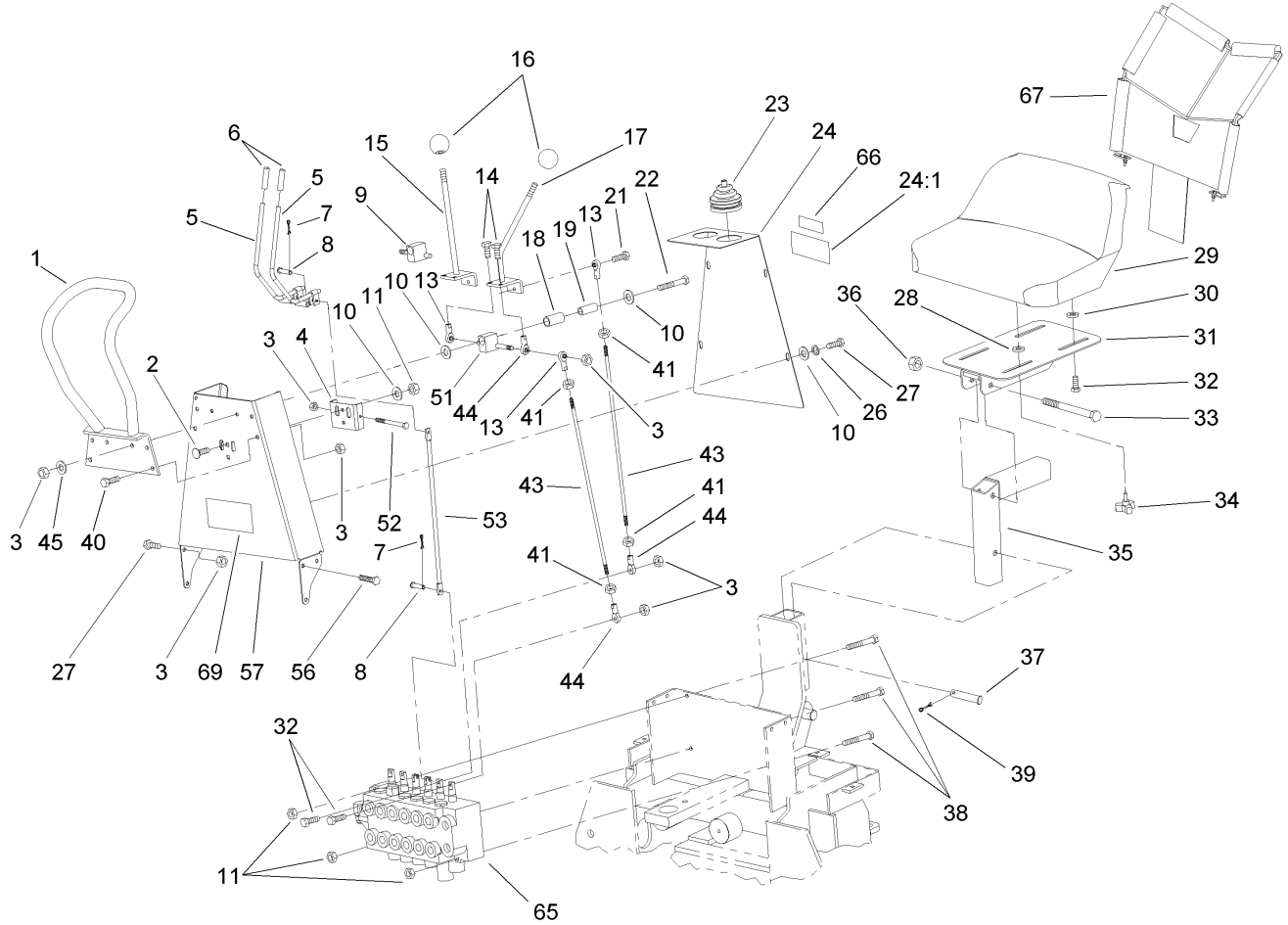
Ref	Part No.	Qty.	Description
33	100-4134	2	Decal-Placement, Pin



Hydraulic Cylinder Assembly 107-9473

Ref	Part No.	Qty.	Description
1	108-5691	1	Cylinder Seal Kit
1:3		1	Seal-Wiper
1:5		1	O-Ring
1:8		1	O-Ring
1:10		1	O-Ring
1:13		1	Ring-Backup
1:19		1	Seal-Rod
1:20		1	Ring-Retaining
1:22		1	Ring-Piston
2	256-82	2	Bushing

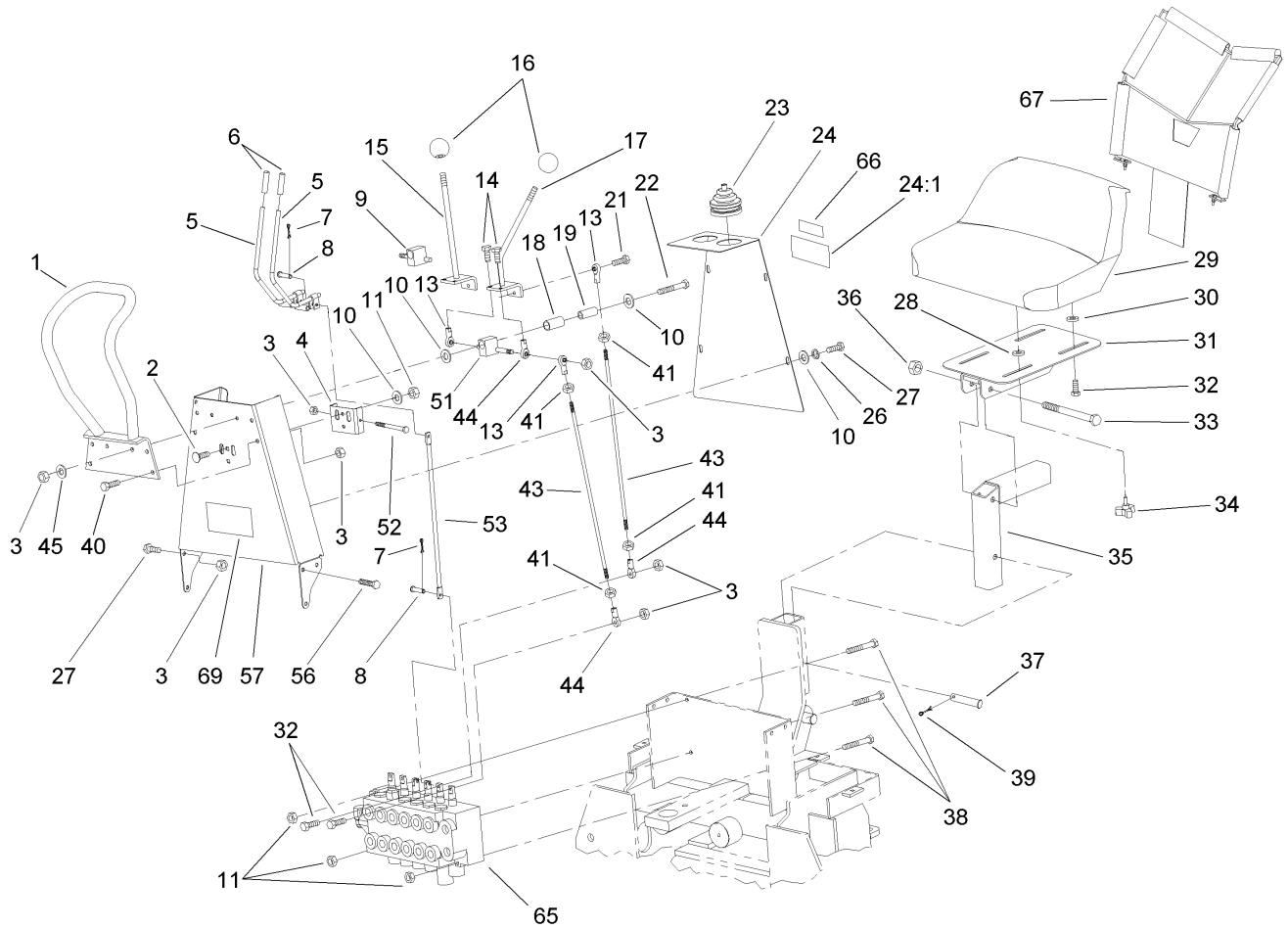
Ref	Part No.	Qty.	Description



Seat and Control Assembly

Ref	Part No.	Qty.	Description
1	107-9488	1	Reference Bar ASM
2	3230-1	2	Bolt-CARR
3	3296-4	16	Nut-Lock
4	108-5652	1	U-Bracket
5	107-9477	2	Stabilizer Rod ASM
6	107-9347	2	Cap-Rubber
7	3272-6	2	Pin-Cotter
8	100-3462	2	Pin-Clevis
9	107-9491	1	RH Pivot ASM
10	3256-23	10	Washer-Flat
11	3296-29	3	Nut-Lock, NI
13	107-9344	4	Joint-Articulated
14	3210-4	4	Screw-HH
15	107-9489	1	RH Control Handle ASM
16	107-9345	2	Knob-Ball
17	107-9490	1	LH Control Handle ASM
18	107-9337	2	Bushing-Bronze
19	108-5663	2	Bushing
21	3210-5	2	Screw-HH
22	322-32	1	Screw-HH
23	107-9346	2	Boot-Lever, Control
24	107-9334	1	Valve-Rear Plate, Cover
24:1	100-4133	1	Decal-Warning
26	3253-4	4	Washer-Lock

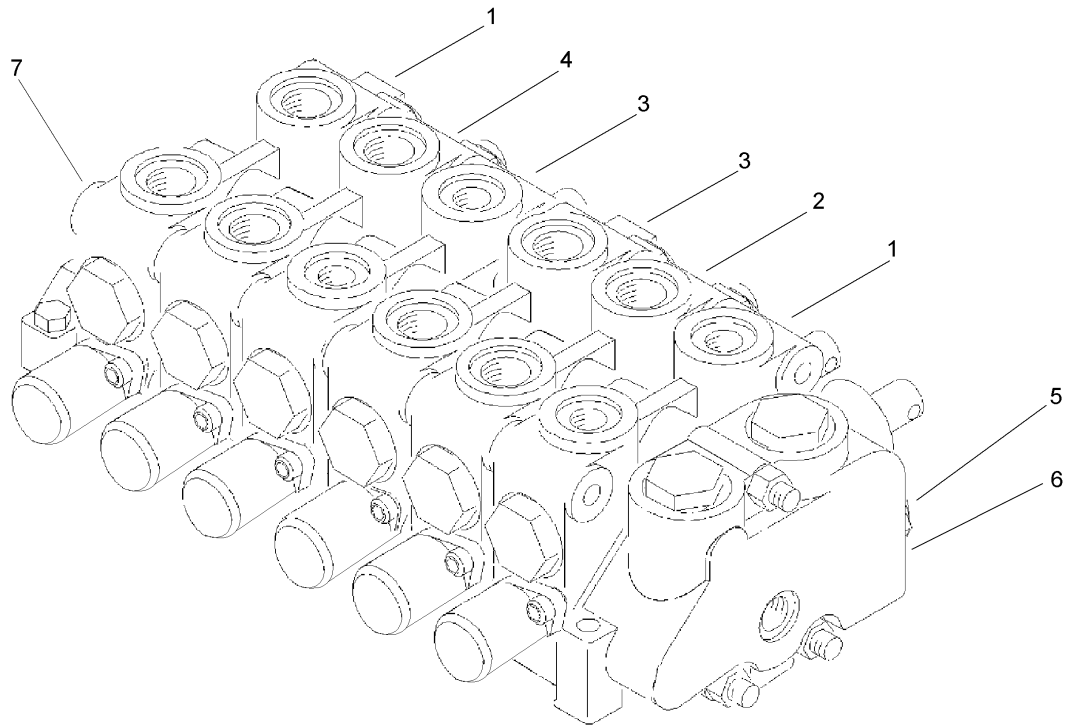
Ref	Part No.	Qty.	Description
27	3210-3	8	Screw-HH
28	109989	2	Spacer-Nylon
29	88-3950	1	Seat
30	92-6750	2	Spacer-Nylon
31	107-9485	1	Seat Plate ASM
32	92-6986	2	Bolt-Shoulder
33	325-14	1	Screw-HH
34	700806	2	Knob
35	107-9487	1	Seat Post ASM
36	3296-19	1	Nut-Hex
37	107-9339	1	Pin-Clevis
38	322-13	3	Screw-HH
39	3290-468	1	Pin-Cotter
40	323-46	4	Screw-HH
41	3219-2	8	Nut-Hex
43	107-9475	4	Rod-Control
44	1-543017	8	Balljoint-RH
45	3256-23	2	Washer-Flat
51	107-9492	1	LH Pivot ASM
52	3211-4	1	Screw-HH
53	107-9476	2	Rod-Stabilizer
56	3210-2	3	Screw-HH
57	107-9478	1	Front Shroud ASM
65	108-5680	1	Hydraulic Valve ASM



Seat and Control Assembly (continued)

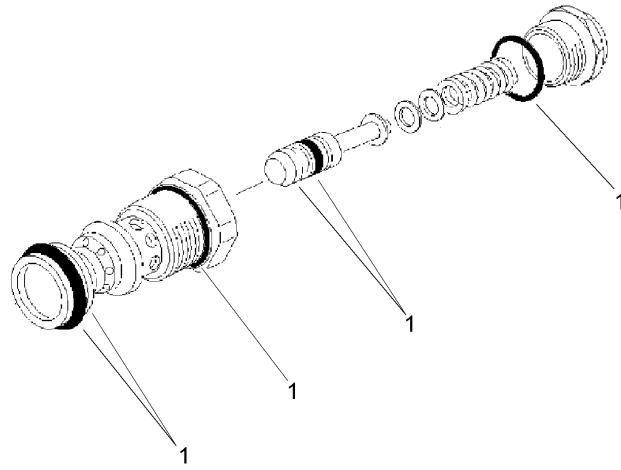
Ref	Part No.	Qty.	Description
66	108-5693	1	Decal-Control
67	106-7630	1	Backhoe Shield Kit
69	62-7400	1	Decal

--	--	--	--



Hydraulic Valve Assembly 108-5680

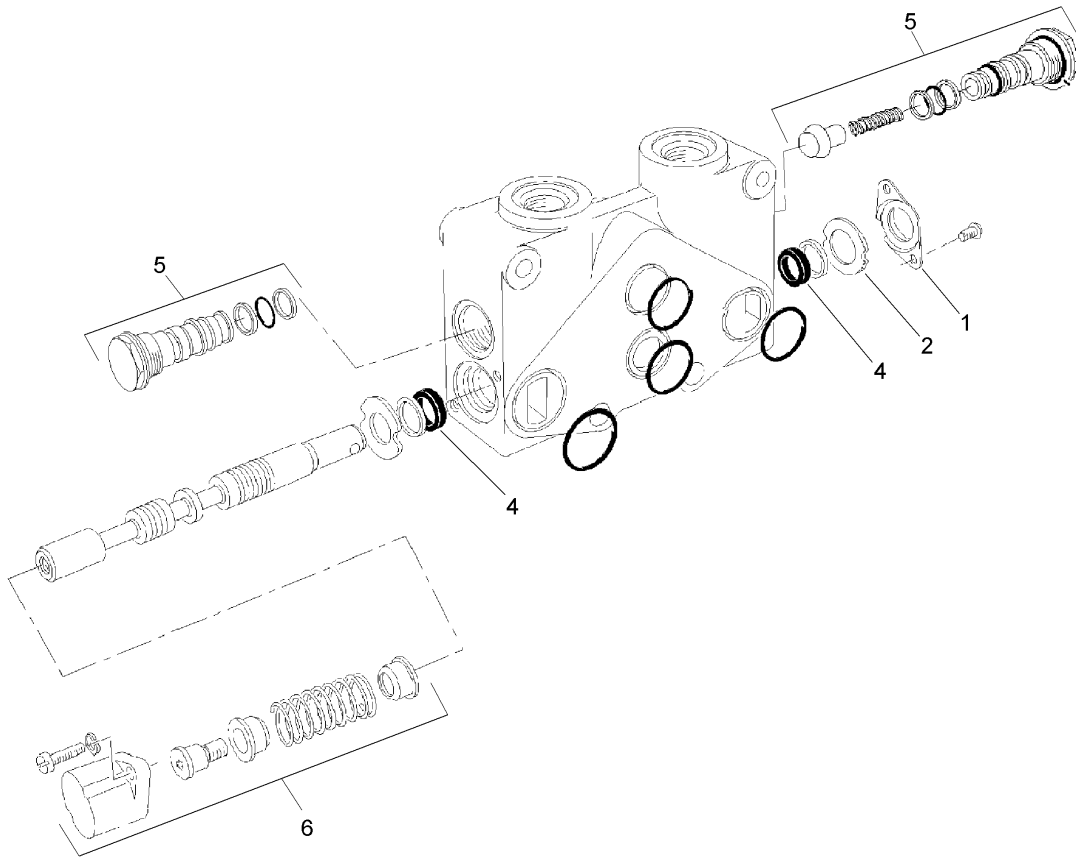
Ref	Part No.	Qty.	Description
1	108-5694	2	Section-Bucket, Swing
2	108-5696	1	Section-Boom
3	108-5697	2	Section-Valve, Stabilizer
4	108-5695	1	Section-Dipper
5	108-5698	1	Valve-Relief
6	353-772	1	Cover-Left
7	110-0059	1	Cover-End, RH
●99	110-0063	1	Section Seal Kit
●99	110-0054	1	Valve Seal Kit
●99	110-0052	1	Tie Rod Kit



Relief Valve Assembly 108-5698

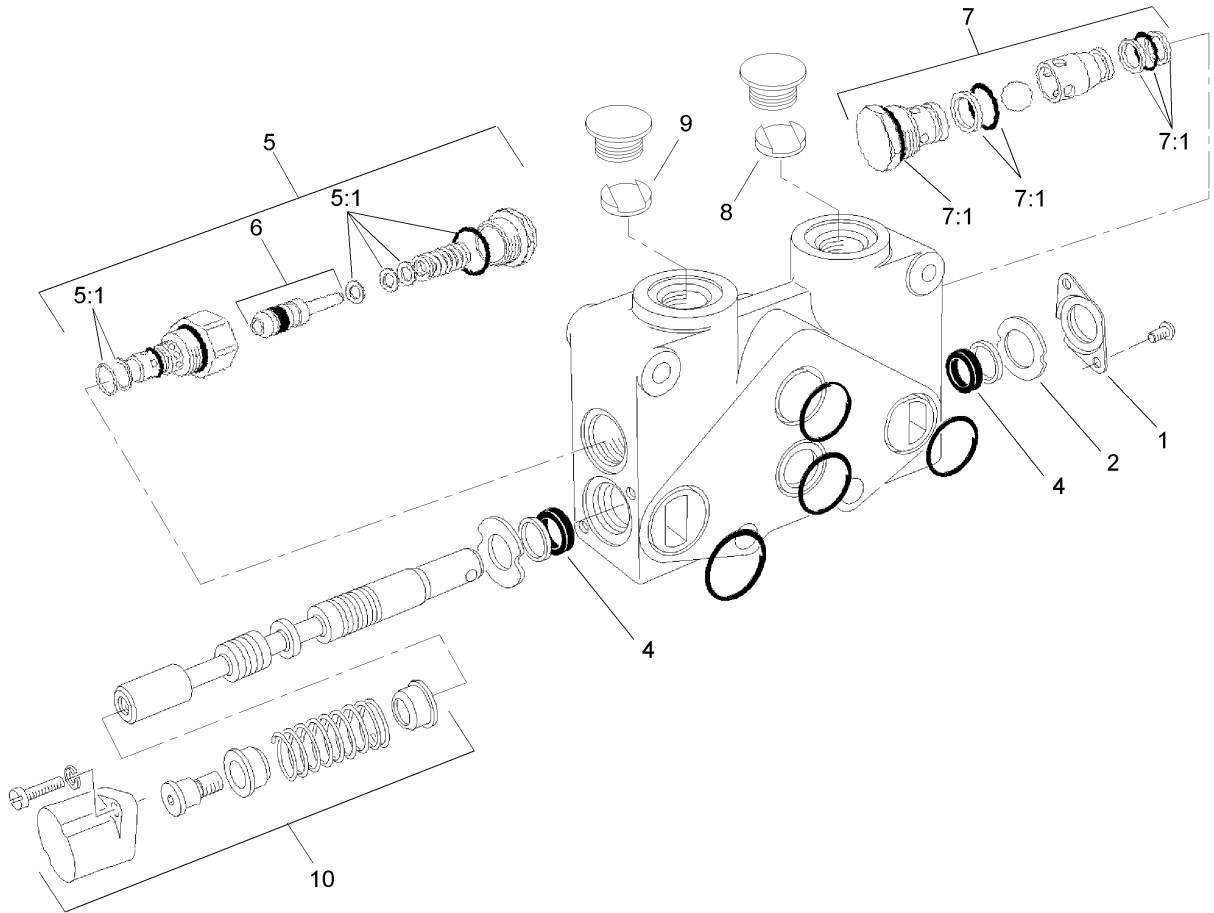
Ref	Part No.	Qty.	Description
1	110-0053	1	Relief Seal Kit

--	--	--	--



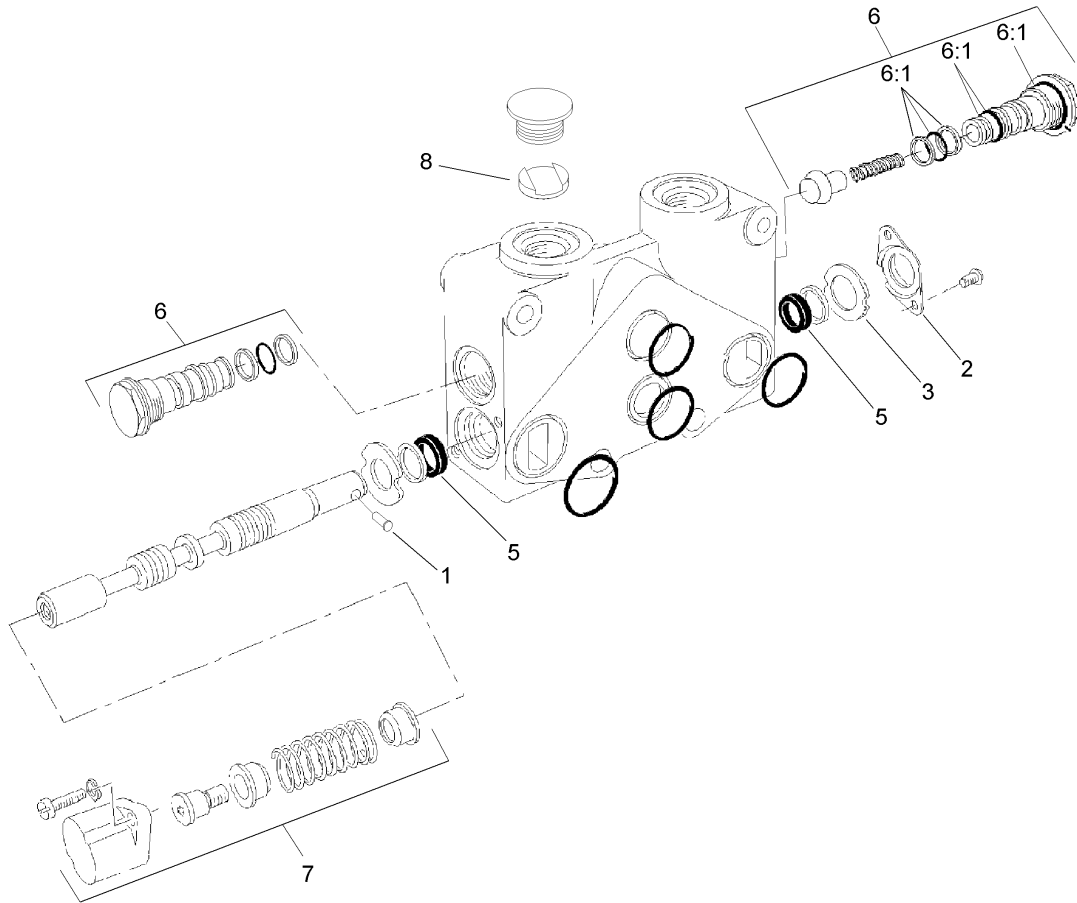
Valve Section Assembly No. 108-5694

Ref	Part No.	Qty.	Description				
1	353-529	1	Plate-Retainer, Seal				
2	353-959	2	Plate-Retainer, Seal				
4	110-0062	1	Spool Seal Kit				
5	110-0058	1	Cartridge-Check				
5:1	110-0060	1	Cartridge Seal Kit				
6	110-0050	1	Spool Positioner Kit				
99	110-0061	1	Valve Section Seal Kit				



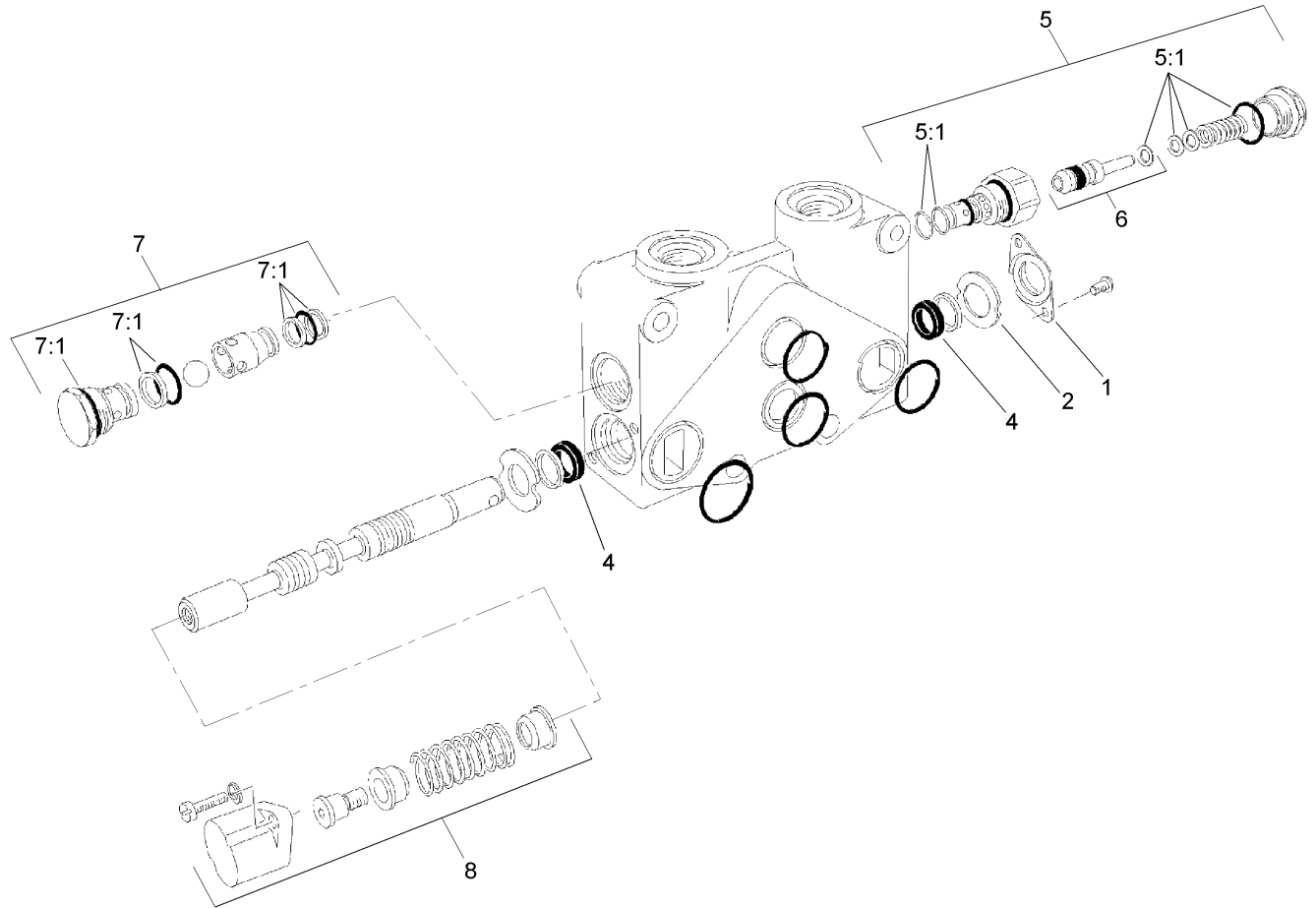
Valve Section Assembly No. 108-5696

Ref	Part No.	Qty.	Description				
1	353-529	1	Plate-Retainer, Seal				
2	353-959	2	Plate-Retainer, Seal				
4	110-0062	1	Spool Seal Kit				
5	110-0051	1	Cartridge-Relief				
5:1	110-0060	1	Cartridge Seal Kit				
6	353-742	1	Poppet Relief ASM				
7	110-0057	1	Cartridge-Anticavitation				
7:1	110-0060	1	Cartridge Seal Kit				
8	110-0056	1	Restrictor (.062In)				
9	110-0055	1	Restrictor (.100In)				
10	110-0050	1	Spool Positioner Kit				
●99	110-0061	1	Valve Section Seal Kit				



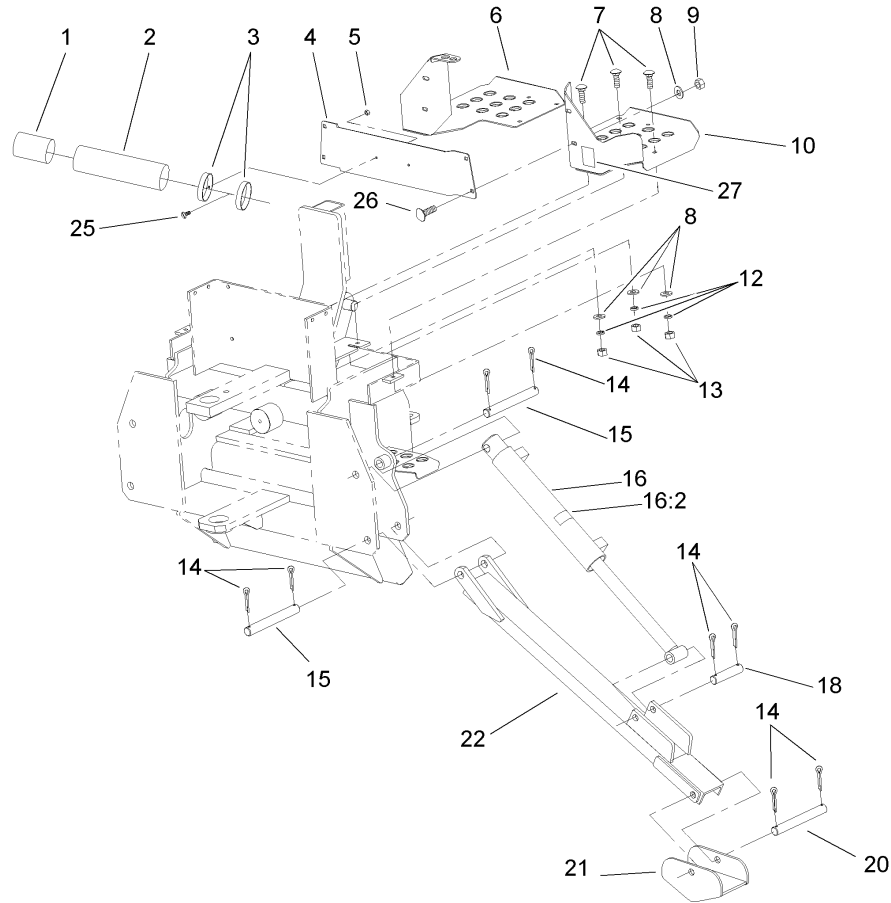
Valve Section Assembly No. 108-5697

Ref	Part No.	Qty.	Description	
1	353-322	1	Pin	
2	353-529	1	Plate-Retainer, Seal	
3	353-959	2	Plate-Retainer, Seal	
5	110-0062	1	Spool Seal Kit	
6	110-0058	2	Cartridge-Check	
6:1	110-0060	1	Cartridge Seal Kit	
7	110-0050	1	Spool Positioner Kit	
8	110-0056	1	Restrictor (.062In)	
●99	110-0061	1	Valve Section Seal Kit	



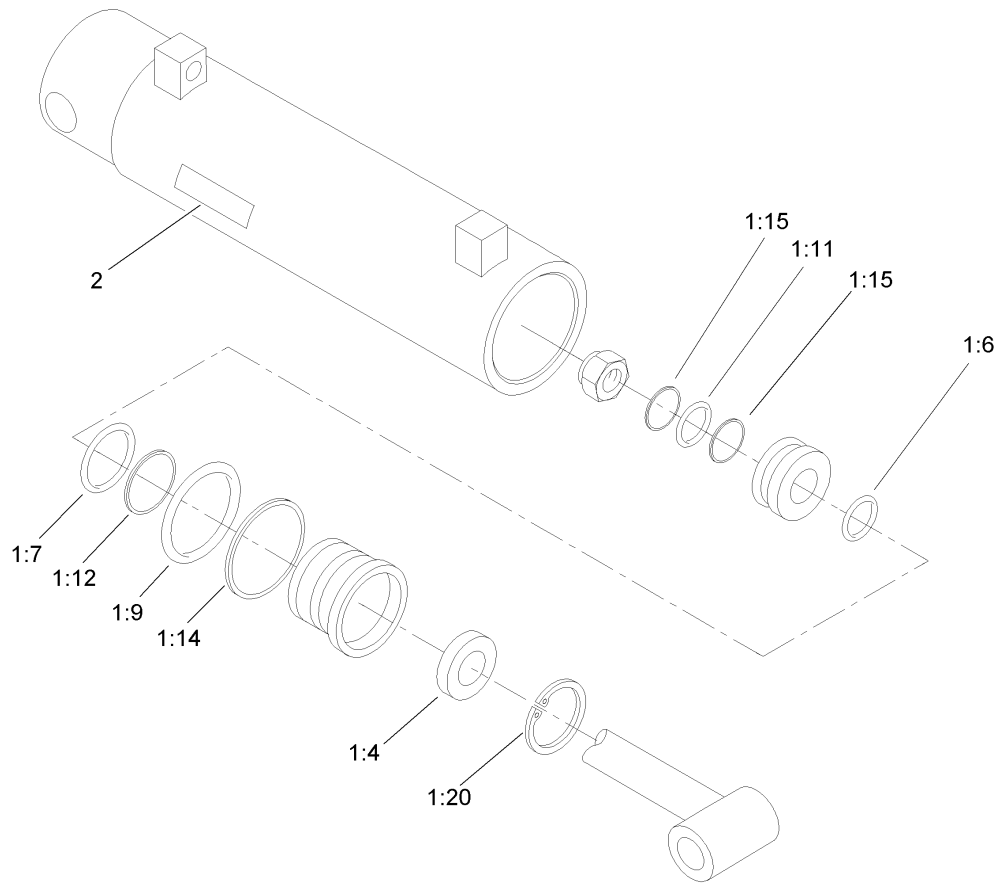
Valve Section Assembly No. 108-5695

Ref	Part No.	Qty.	Description
1	353-529	1	Plate-Retainer, Seal
2	353-959	2	Plate-Retainer, Seal
4	110-0062	1	Spool Seal Kit
5	110-0051	1	Cartridge-Relief
5:1	110-0060	1	Cartridge Seal Kit
6	353-742	1	Poppet Relief ASM
7	110-0057	1	Cartridge-Anticavitation
7:1	110-0060	1	Cartridge Seal Kit
8	110-0050	1	Spool Positioner Kit
99	110-0061	1	Valve Section Seal Kit



Stabilizer Leg Assembly

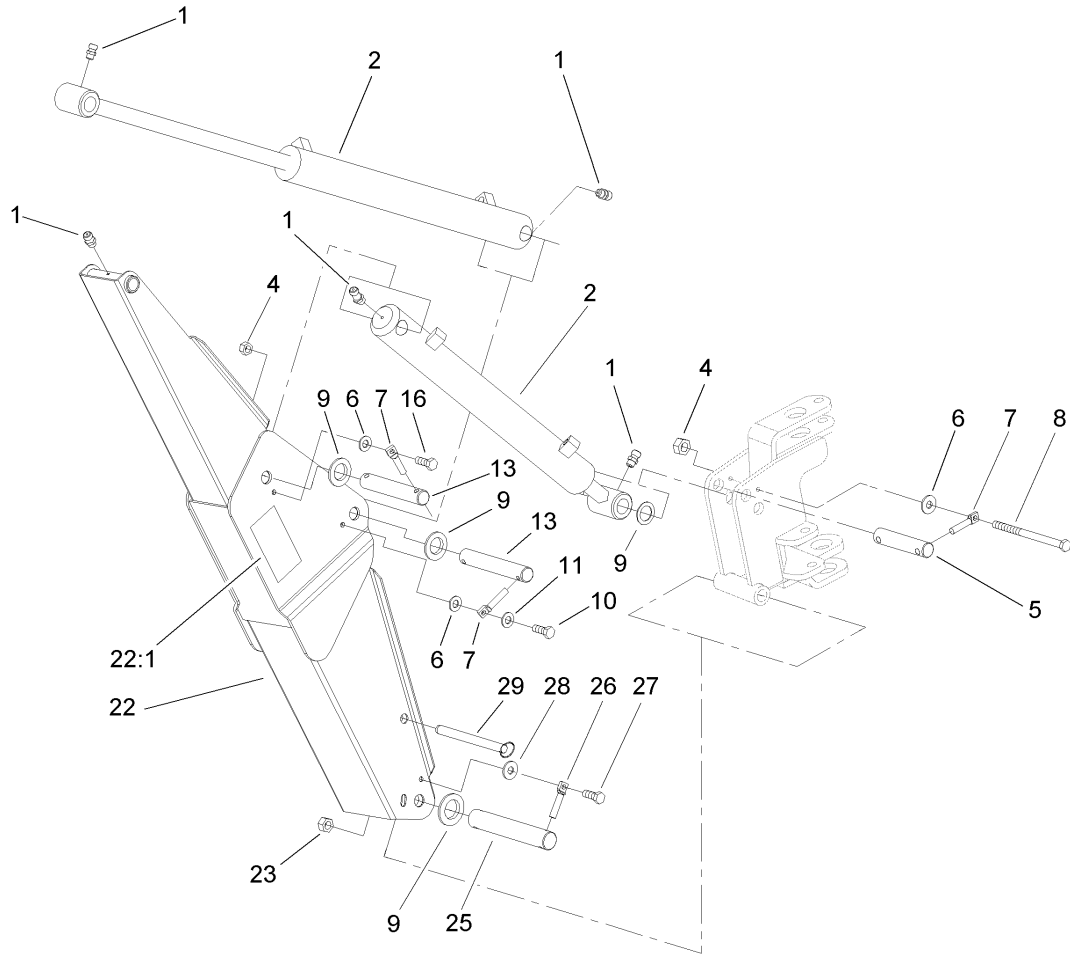
Ref	Part No.	Qty.	Description
1	104-7048	1	Cap-Housing
2	104-7050	1	Housing-Manual
3	2412-120	2	R-Clamp
4	107-9484	1	Plate-Cover, Valve
5	3296-2	2	Nut-Lock
6	107-9498	1	Plate-Floor, RH
7	3230-2	6	Bolt-CARR
8	3256-23	10	Washer-Flat
9	3296-29	4	Nut-Lock, NI
10	107-9499	1	Plate-Floor, LH
12	3253-4	6	Washer-Lock
13	3217-6	6	Nut-Hex
14	3272-22	16	Pin-Cotter
15	108-5659	4	Pin-Pivot
16	107-9474	2	Hydraulic Cylinder ASM
16:2	100-4136	1	Decal-Warning
18	108-5661	2	Pin-Pivot
20	108-5650	2	Pin ASM
21	107-9497	2	Stabilizer Pad ASM
22	107-9496	2	Stabilizer Leg ASM
25	1-803071	2	Screw
26	3230-1	4	Bolt-CARR
27	108-5665	1	Decal-I/O, Valve



Hydraulic Cylinder Assembly 107-9474

Ref	Part No.	Qty.	Description
1	108-5690	1	Cylinder Seal Kit
1:4		1	Seal-Wiper
1:6		1	O-Ring
1:7		1	O-Ring
1:9		1	O-Ring
1:11		1	O-Ring
1:12		1	Ring-Backup
1:14		1	Ring-Backup
1:15		2	Ring-Backup
1:20		1	Ring-Retaining
2	100-4136	1	Decal-Warning

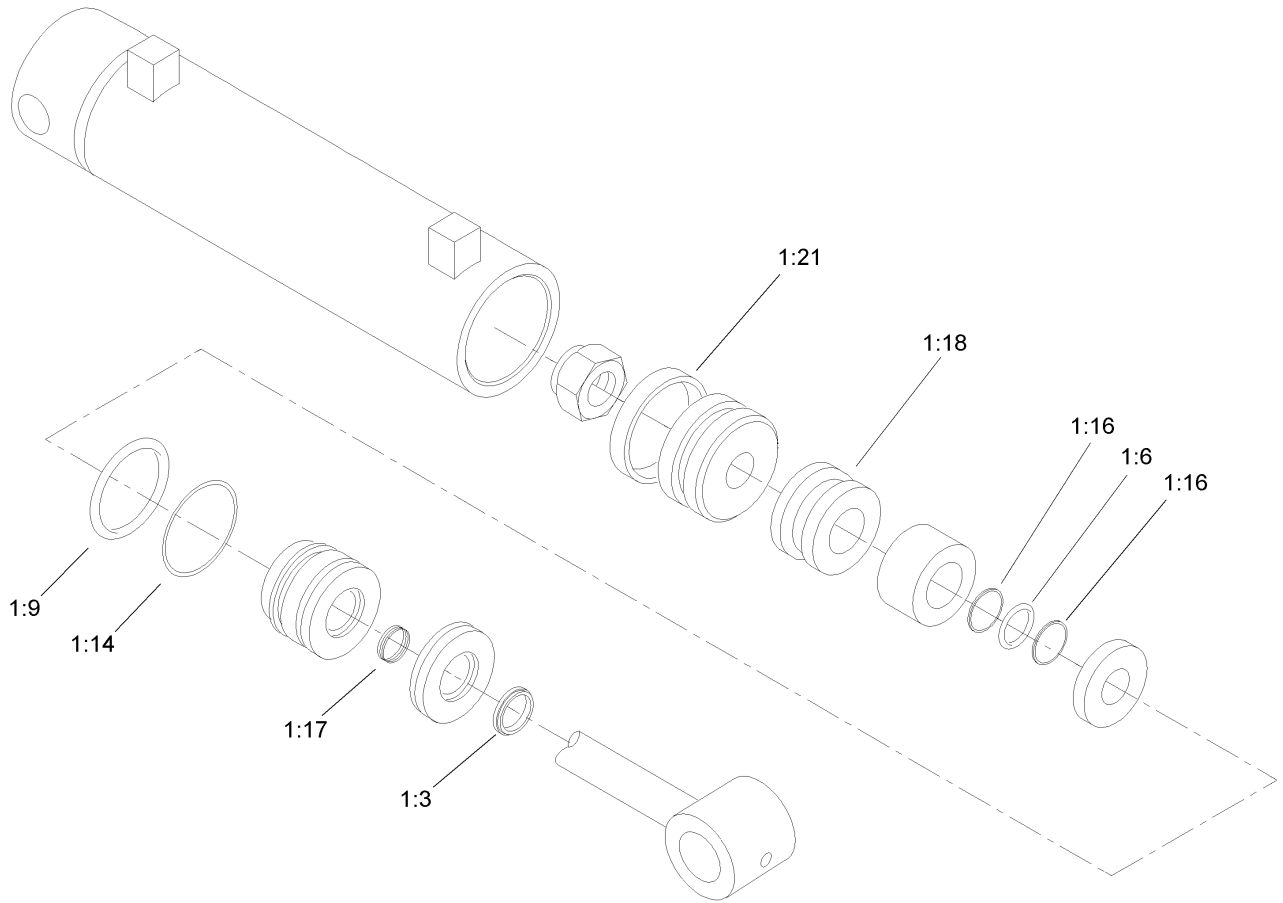
--	--	--	--



Boom Assembly

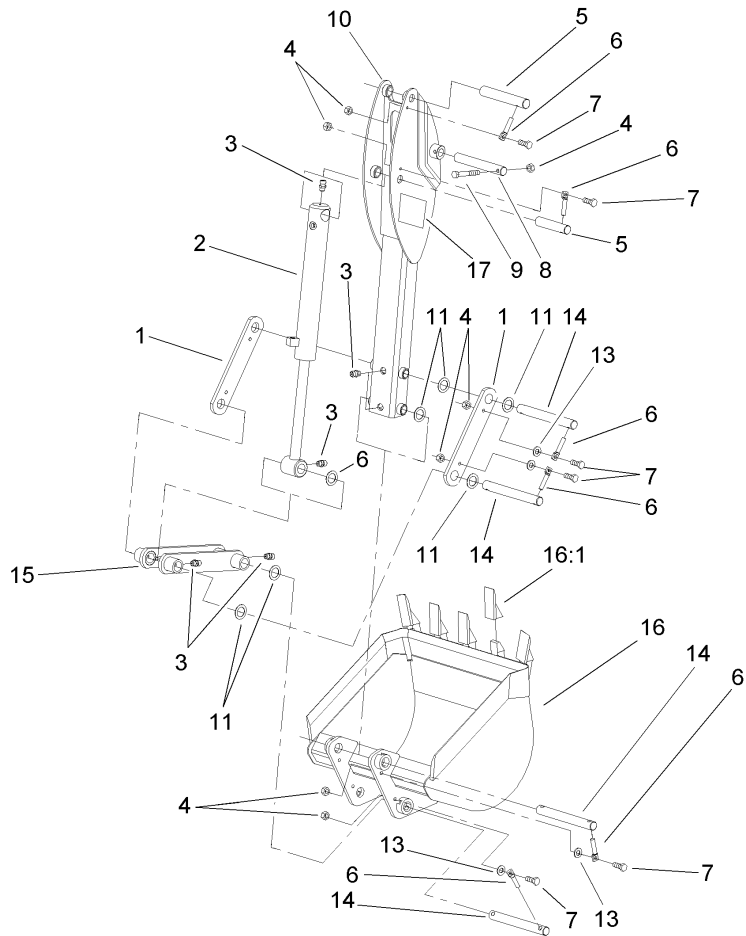
Ref	Part No.	Qty.	Description
1	302-5	5	Fitting-Grease
2	107-9472	2	Hydraulic Cylinder ASM
4	3296-4	2	Nut-Lock
5	108-5651	1	Pin-Pivot
6	3256-23	8	Washer-Flat
7	107-9340	6	Pin-Retainer, Small
8	105-3692	1	Screw-HH
9	3256-42	10	Washer-Flat
10	3210-6	6	Screw-HH
11	3253-4	2	Washer-Lock
13	108-5653	2	Pin-Pivot
16	3210-3	1	Screw-HH
22	107-9494	1	Boom ASM
22:1	100-4132	2	Decal-Warning
23	3296-6	6	Nut-Lock
25	108-5664	1	Pin-Pivot
26	107-9341	2	Pin-Retainer, Large
27	323-46	2	Screw-HH
28	3256-24	6	Washer-Flat
29	107-9343	1	Pin-Hitch

--	--	--	--



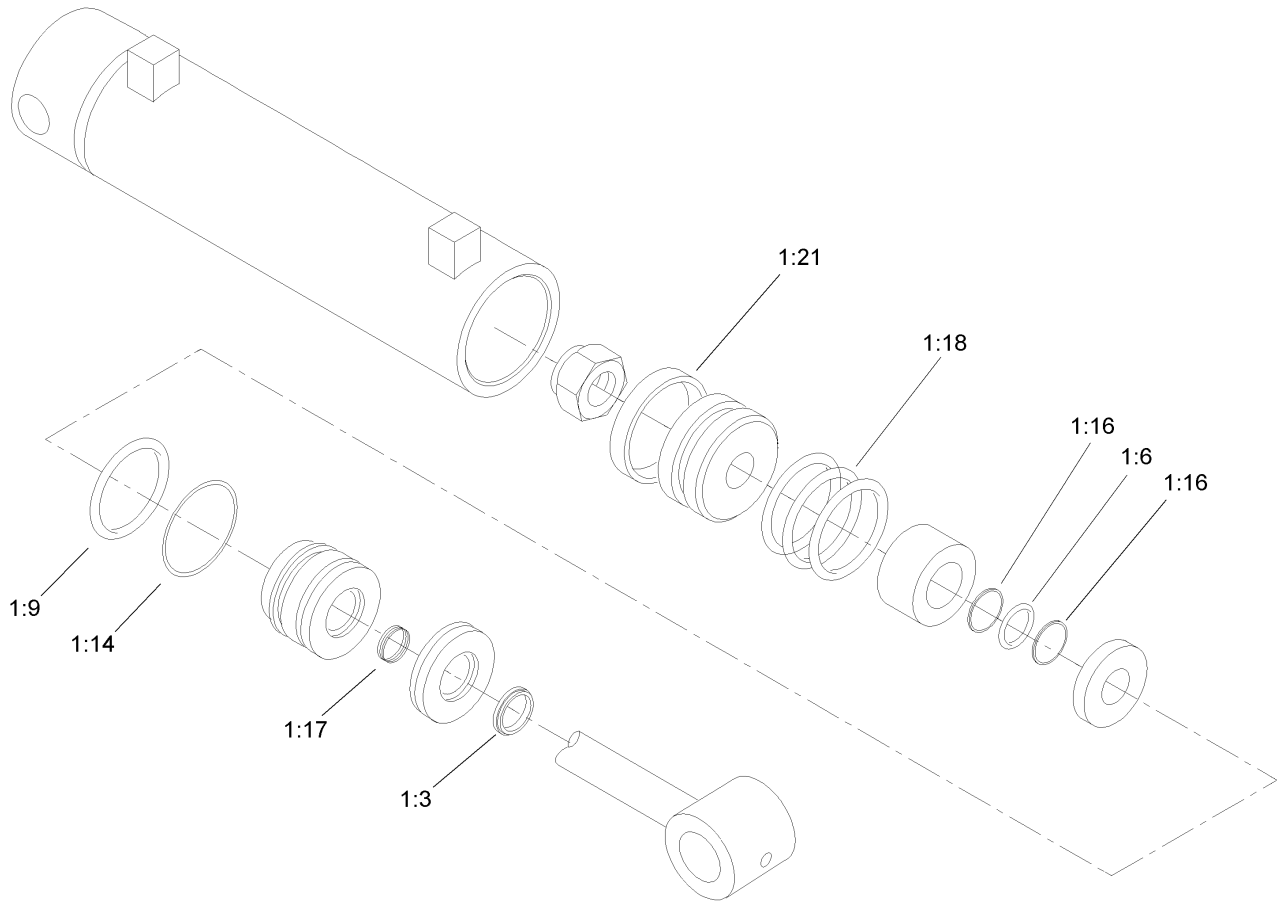
Hydraulic Cylinder Assembly 107-9472

Ref	Part No.	Qty.	Description				
1	108-5689	1	Cylinder Seal Kit				
②1:3		1	Seal-Wiper				
②1:6		1	O-Ring				
②1:9		1	O-Ring				
②1:14		1	Ring-Backup				
②1:16		2	Ring-Backup				
②1:17		1	Packing Assembly				
②1:18		1	Packing Assembly				
②1:21		1	Ring-Wear				



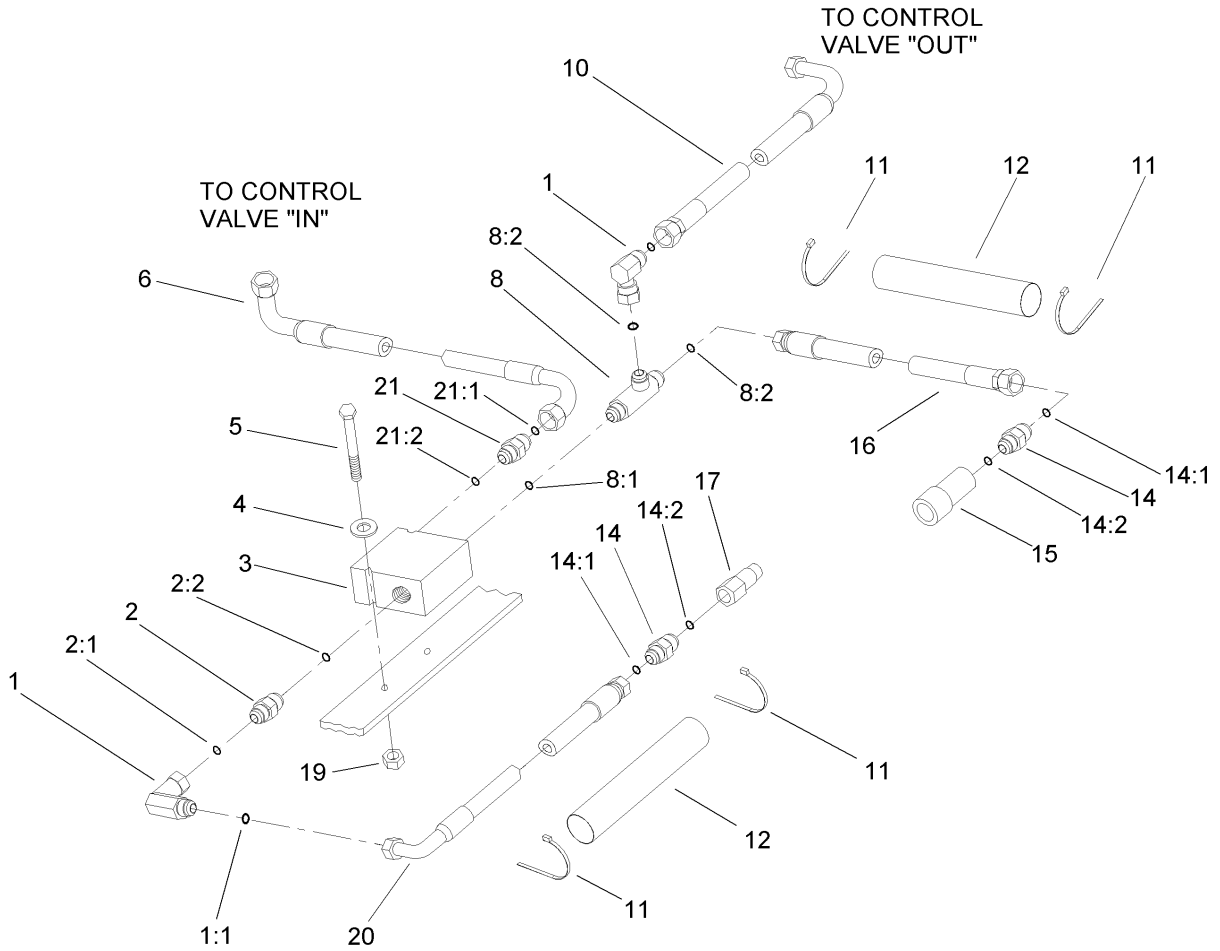
Bucket and Dipperstick Assembly

Ref	Part No.	Qty.	Description				
1	107-9481	2	Link-Guide, Bucket				
2	107-9471	1	Hydraulic Cylinder ASM				
3	302-5	6	Fitting-Grease				
4	3296-4	7	Nut-Lock				
5	108-5656	2	Pin-Pivot				
6	107-9340	12	Pin-Retainer, Small				
7	3210-4	6	Screw-HH				
8	108-5655	1	Pin-Pivot				
9	322-32	1	Screw-HH				
10	107-9483	1	Dipperstick ASM				
11	3256-42	10	Washer-Flat				
13	3256-23	6	Washer-Flat				
14	107-9349	4	Pin ASM				
15	107-9479	1	Bucket Link ASM				
16	108-5683	1	13 Inch Backhoe Bucket ASM				
16:1	108-5692	3	Tooth-Bucket				
17	62-7400	2	Decal				



Hydraulic Cylinder Assembly 107-9471

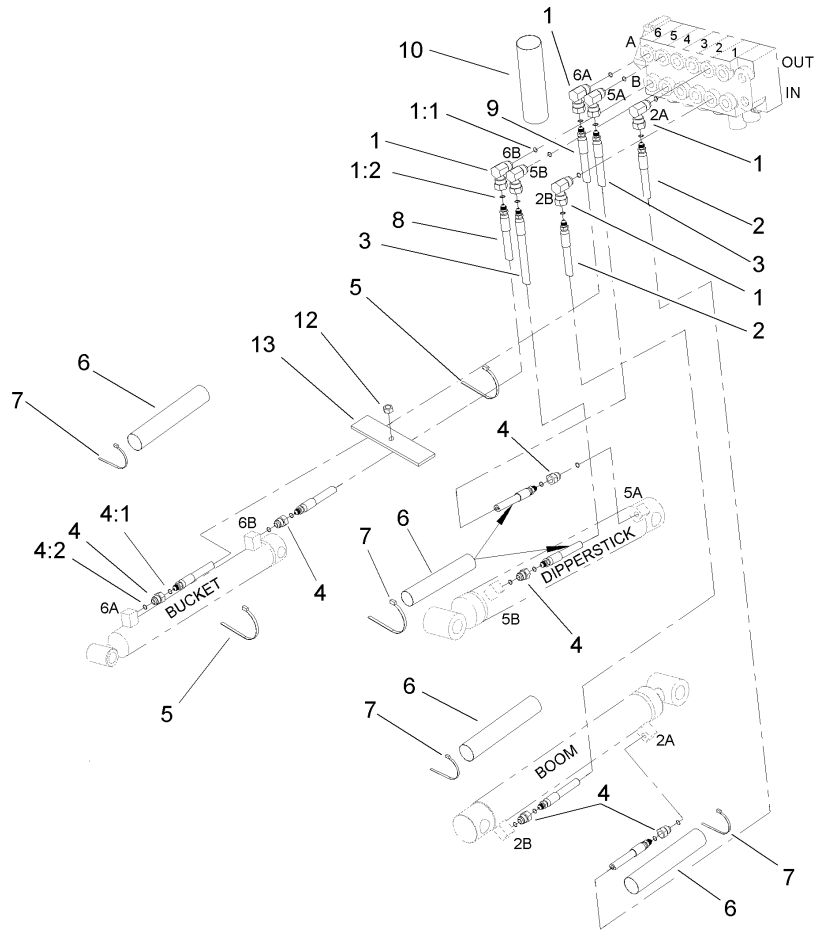
Ref	Part No.	Qty.	Description				
1	108-5689	1	Cylinder Seal Kit				
②1:3		1	Seal-Wiper				
②1:6		1	O-Ring				
②1:9		1	O-Ring				
②1:14		1	Ring-Backup				
②1:16		2	Ring-Backup				
②1:17		1	Packing Assembly				
②1:18		1	Packing Assembly				
②1:21		1	Ring-Wear				



Auxiliary Hydraulic Connection Assembly

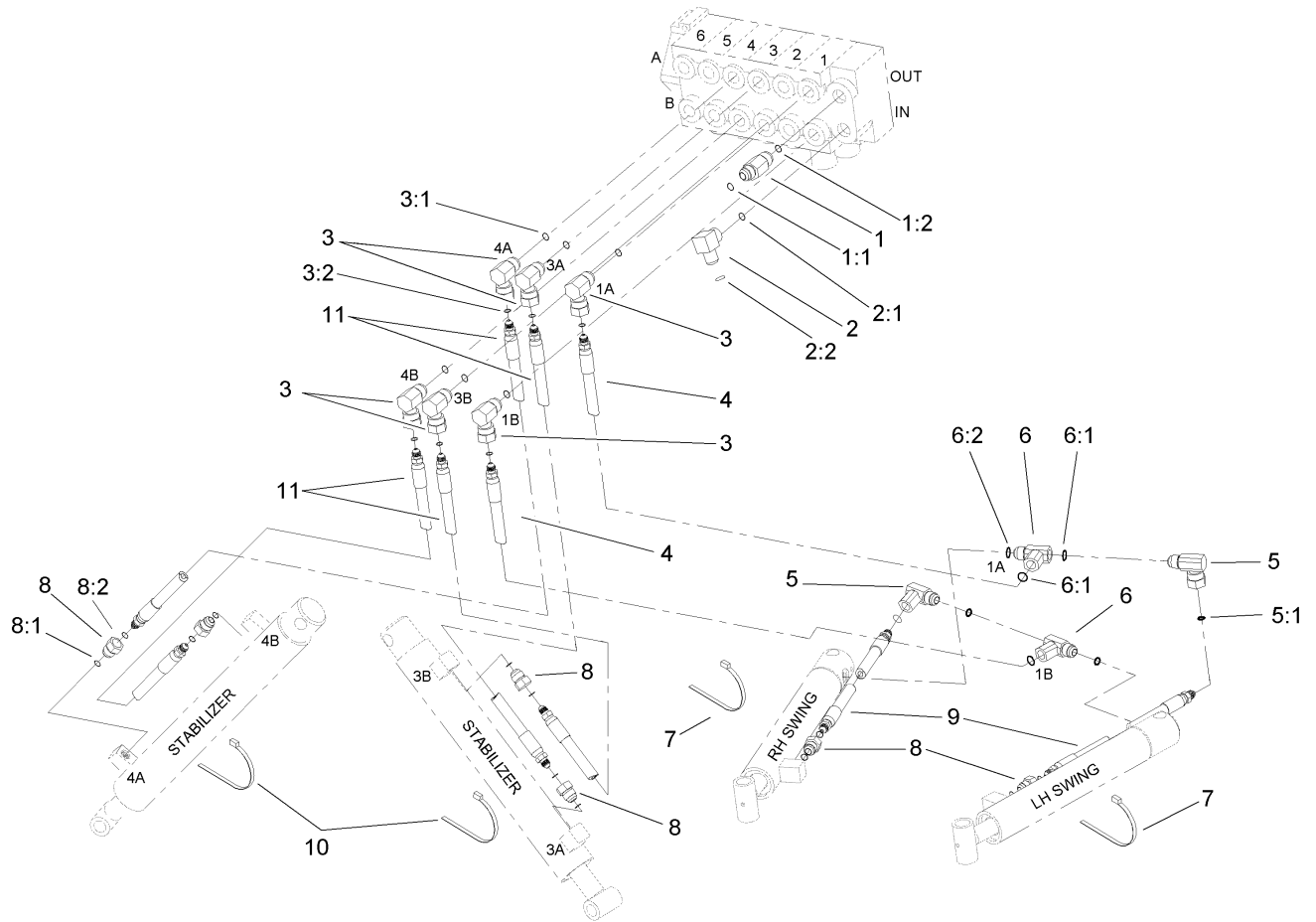
Ref	Part No.	Qty.	Description
1	94-6031	2	Fitting-HYD
1:1	237-30	1	O-Ring
2	340-4	1	Fitting-HYD, Straight
2:1	237-30	1	O-Ring
2:2	237-79	1	O-Ring
3	108-5681	1	Divider-Flow
4	3256-2	2	Washer-Flat
5	321-11	2	Screw-HH
6	108-5676	1	Hydraulic Hose ASM
8	110-0064	1	Fitting-Tee
8:1	237-30	2	O-Ring
8:2	237-42	1	O-Ring
10	108-5677	1	Hydraulic Hose ASM
11	3290-379	4	Tie-Cable
12	108-5668	2	Sleeve-Hose
14	340-6	2	Fitting-HYD, Straight
14:1	237-30	1	O-Ring
14:2	237-80	1	O-Ring
15	104-6134	1	Coupler-Face, Flush
15:1	105-8396	1	Seal Kit
16	108-5678	1	Hydraulic Hose ASM
17	100-4701	1	Nipple-Connect, Pressure
17:1	100-6120	1	Seal Kit
19	3296-42	2	Nut-Lock, NI

Ref	Part No.	Qty.	Description
20	108-5679	1	Hydraulic Hose ASM
21	340-5	1	Fitting-Straight
21:1	237-42	1	O-Ring
21:2	237-30	1	O-Ring



Boom, Bucket and Dippersticker Hydraulic Assembly

Ref	Part No.	Qty.	Description
1	108-5687	6	Fitting-Elbow-90
1:1	237-79	1	O-Ring
1:2	237-21	1	O-Ring
2	108-5672	2	Hydraulic Hose ASM
3	108-5675	2	Hydraulic Hose ASM
4	340-1	6	Adapter
4:1	237-21	1	O-Ring
4:2	237-42	1	O-Ring
5	3334-945	2	Tie-Cable
6	108-5667	5	Sleeve-Hose
7	3290-379	4	Tie-Cable
8	108-5673	1	Hydraulic Hose ASM
9	108-5674	1	Hydraulic Hose ASM
10	108-5666	1	Sleeve-Hose
12	3296-4	2	Nut-Lock
13	107-9482	2	Retainer-Hose



Stabilizer and Swing Hydraulic Assembly

Ref	Part No.	Qty.	Description
1	340-6	1	Fitting-HYD, Straight
1:1	237-30	1	O-Ring
1:2	237-80	1	O-Ring
2	340-105	1	Fitting-HYD, 90 DEG
2:1	237-80	1	O-Ring
2:2	237-30	1	O-Ring
3	108-5687	6	Fitting-Elbow-90
3:1	237-79	1	O-Ring
3:2	237-21	1	O-Ring
4	108-6508	2	Hose ASM
5	92-2745	2	Fitting-Adaptor
5:1	237-21	1	O-Ring
6	108-5688	2	Fitting-Tee
6:1	237-21	2	O-Ring
6:2	237-42	1	O-Ring
7	3290-379	2	Tie-Cable
8	340-1	6	Adapter
8:1	237-21	1	O-Ring
8:2	237-42	1	O-Ring
9	108-1535	2	Hydraulic Hose ASM
10	3334-945	2	Tie-Cable
11	108-5671	4	Hydraulic Hose ASM

Attachments and Accessories

For 23163 - Backhoe, Dingo Compact Utility Loader

Product Name	Model/Part
Dingo Fit Up Kit 23161
Dingo TX Fit Up Kit 23162

NOTES

