



Bagging Enhancement Kit

Z400 Series Z Master Mowers

Part No. 108-4091

Form No. 3353-234

Installation Instructions

Loose Parts

Note: Use the chart below to identify parts for assembly.

DESCRIPTION	QTY.	USE
Right side rubber baffle	1	Installing the baffles
Left side rubber baffle	1	
Metal baffle stiffener	2	
Carriage bolt, 5/16 x 1 inch	8	
Locknut, 5/16 inch	8	

Preparing the Mower Deck

1. Position the mower on a flat surface.
2. Disengage the PTO, move the motion control levers to the neutral locked position and set the parking brake.
3. Stop the engine, remove the key, and wait for all moving parts to stop before leaving the operating position.
4. Raise the mower to the transport position.
5. Lift the front of the machine and support the machine using jack stands.
6. Thoroughly clean the mower deck. All debris must be removed to ensure the baffle will fit properly against the mower deck.
7. Repair all bent and damaged areas of the mower deck and replace any missing parts.



Warning



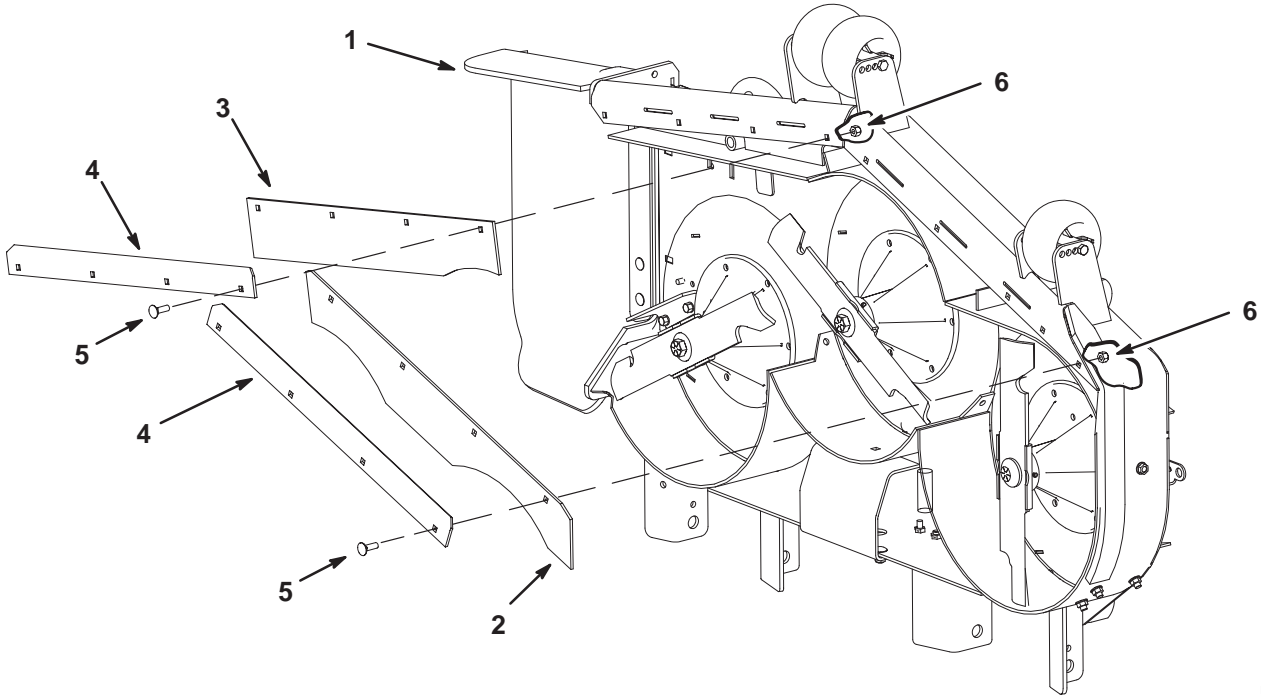
Mechanical or hydraulic jacks may fail to support the machine and cause a serious injury.

- Use jack stands when supporting the machine.
- Do not use hydraulic jacks.

Installing the Baffles

Note: Install bolts as shown in Figure 1.

1. Install the left side rubber baffle and one of the baffle stiffeners with 4 bolts (5/16 x 1 inch) and 4 locknuts (5/16 inch) (Fig. 1).
2. Install the right side rubber baffle and one of the baffle stiffeners with 4 bolts (5/16 x 1 inch) and 4 locknuts (5/16 inch) (Fig. 1).
3. Rotate the cutting blades and make sure they do not hit the baffles.



m-7913

Figure 1

- | | | | |
|----------------------------|-----------------------------|---------------------------------|------------------------|
| 1. Mower deck | 3. Right side rubber baffle | 5. Carriage bolt, 5/16 x 1 inch | 6. Lock Nut, 5/16 inch |
| 2. Left side rubber baffle | 4. Baffle stiffener | | |