



## 15in Trim and Edge Electric Trimmer

Model No. 51346 - 250000001 and up.

### Parts Catalog

---

#### **Ordering Replacement Parts**

To order replacement parts, please supply the part number, the quantity, and the description of each part desired.

#### **Understanding Reference Numbers**

Each identified part in an illustration has a reference number. The reference number for a part also appears in the parts list, along with other information about the part.

This catalog uses two special reference number formats, one to indicate parts in a service assembly and another to indicate the quantity of a given part in an illustration.

#### **Service Assembly Reference Numbers**

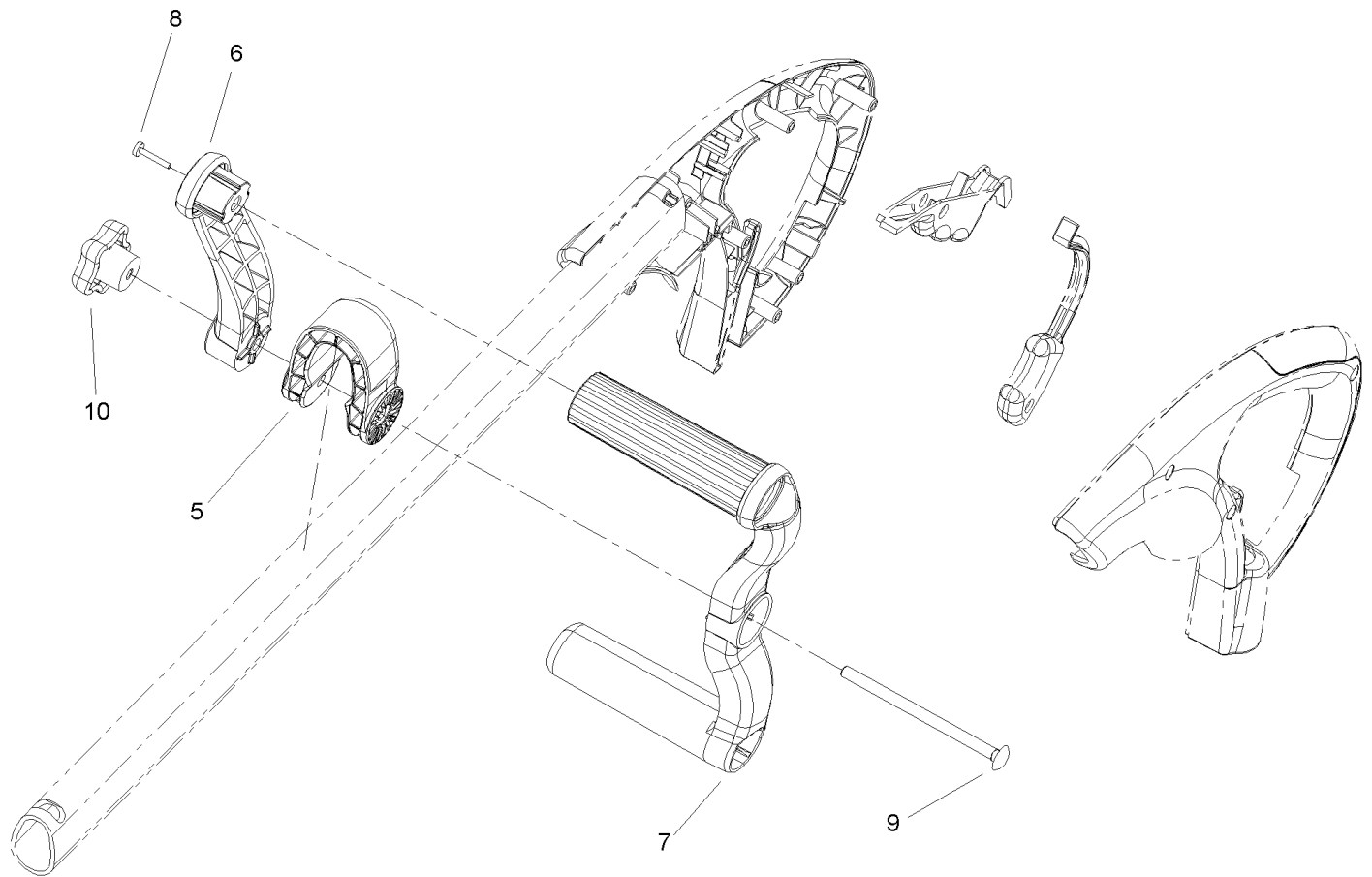
Parts in service assemblies have reference numbers in the form a:b. The a represents the reference number of the entire service assembly and the b represents a sequential number unique to each part within the service assembly.

For example, a wheel assembly might be identified by reference number 6, the tire by 6:1, the valve by 6:2, and the wheel by 6:3. When you order the assembly identified by reference number 6, you receive all parts identified by reference numbers 6:1, 6:2, and 6:3. However, you may also order any part individually. Reference numbers of this type appear in illustrations and in part lists.

#### **Reference Numbers Indicating Quantity**

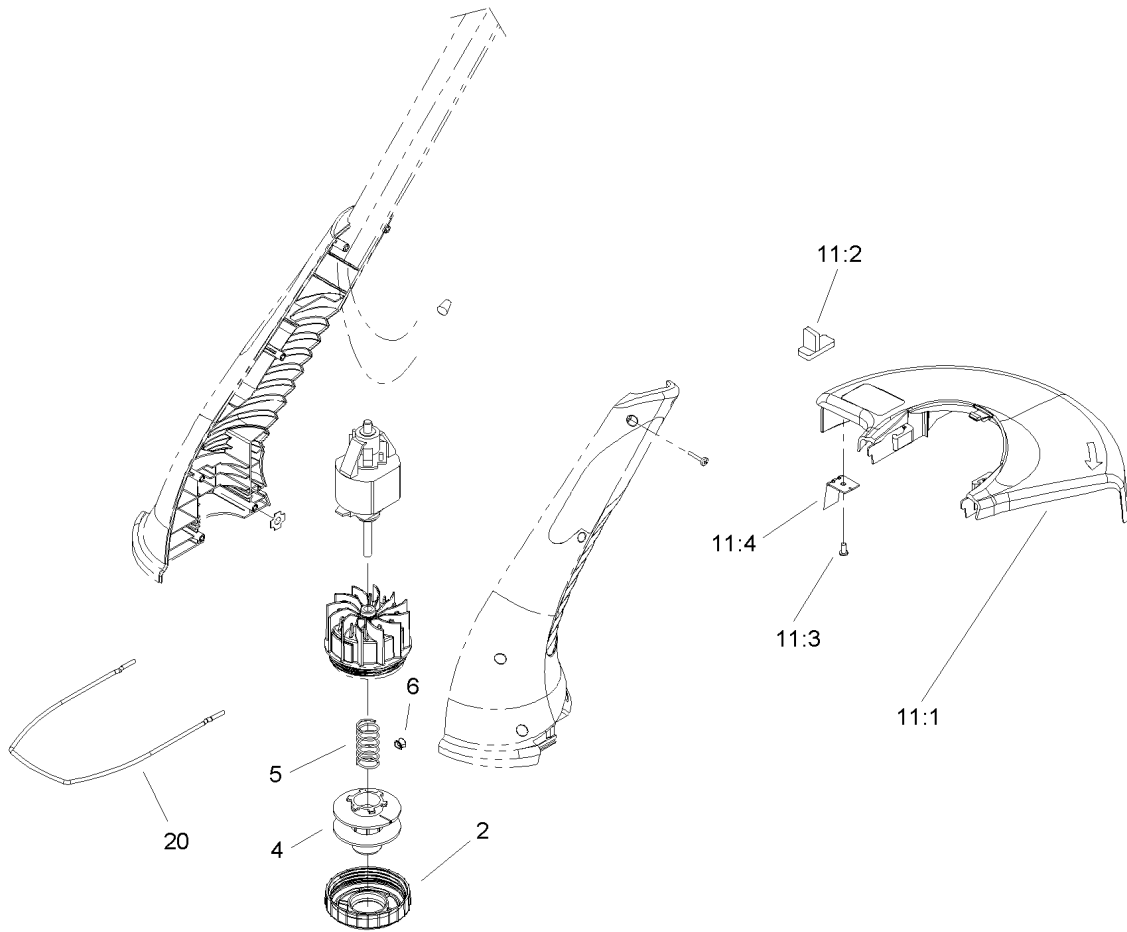
In an illustration, if a reference number indicates more than one part, the reference number has the form nX y. The n represents the quantity of the part, the X is the multiplication symbol, and the y represents the reference number.

For example, in an illustration, the reference number 2X 37 means that two of the parts identified by reference number 37 are indicated.



## Handle Assembly

Ref	Part No.	Qty.	Description
5	107-3348	1	Collar-Handle, Assist
6	107-3346	1	Handle-Assist, Right
7	107-3347	1	Handle-Assist, Left
7	108-6438	1	Assist Handle ASM
8	94-4496	1	Screw-PPH
9	108-6405	1	Screw-Carriage
10	108-6402	1	Knob-Handle



### Spool and Shield Assembly

Ref	Part No.	Qty.	Description				
2	105-9422	1	Cap-Drum				
4	73-8490	1	.065 Spool ASM				
4:1	73-8190	1	Spool-Large (Not Illustrated)				
4:2	88003	3	Line-Filiment (Not Illustrated)				
5	105-9423	1	Spring-Extension				
6	107-3344	1	Eyelet-Guide				
11	106-9838	1	15In Shield ASM (Not Illustrated)				
11:1	105-9438	1	Shield-Variable Cut				
11:2	105-9440	1	Slide-Variable Cut				
11:3	94-4496	1	Screw-PPH				
11:4	105-9439	1	Blade-Variable Cut				
20	105-9427	1	Guide-Edge				

