



Workman[®] 2110 Utility Vehicle

Model No. 07277 - 250000001 and up.

Parts Catalog

Ordering Replacement Parts

To order replacement parts, please supply the part number, the quantity, and the description of each part desired.

Understanding Reference Numbers

Each Identified part in an illustration has a reference number. The reference number for a part also appears in the parts list, along with other information about the part.

This catalog uses two special reference number formats, one to indicate parts in a service assembly and another to indicate the quantity of a given part in an illustration.

Service Assembly Reference Numbers

Parts in service assemblies have reference numbers in the form a:b. The a represents the reference number of the entire service assembly and the b represents a sequential number unique to each part within the service assembly.

For example, a wheel assembly might be identified by reference number 6, the tire by 6:1, the valve by 6:2, and the wheel by 6:3. When you order the assembly identified by reference number 6, you receive all parts identified by reference numbers 6:1, 6:2, and 6:3. However, you may also order any part individually. Reference numbers of this type appear in illustrations and in part lists.

Reference Numbers Indicating Quantity

In an illustration, if a reference number indicates more than one part, the reference number has the form nX y. The n represents the quantity of the part, the X is the multiplication symbol, and the y represents the reference number.

For example, in an illustration, the reference number 2X 37 means that two of the parts identified by reference number 37 are indicated.

Contents

Description	Page	Description	Page
Hood and Fender Assembly	3	Master Cylinder Assembly No. 104-6782	28
Pedal Assembly	4	Cylinder Assembly Briggs and Stratton 303440-1326-E1	29
Shifter Assembly	5	Crankcase Assembly Briggs and Stratton 303440-1326-E1	30
Frame Assembly	6	Crankshaft Assembly Briggs and Stratton 303440-1326-E1	31
Seat Base Assembly	7	Cylinder Head Assembly Briggs and Stratton 303440-1326-E1	32
Front Tire and Steering Assembly	8	Oil Filter, Tube and Pump Assembly Briggs and Stratton 303440-1326-E1	33
Engine and Clutch Assembly	9	Carburetor Assembly Briggs and Stratton 303440-1326-E1	34
Drive Clutch Assembly No. 108-3049	11	Intake Manifold Assembly Briggs and Stratton 303440-1326-E1	35
Starter Generator Assembly No. 99-7108	12	Governor Assembly Briggs and Stratton 303440-1326-E1	36
Rear Tire and Transaxle Assembly	13	Flywheel Assembly Briggs and Stratton 303440-1326-E1	37
Transaxle Assembly No. 107-0360	15	Blower Housing Assembly Briggs and Stratton 303440-1326-E1	38
Driven Clutch Assembly No. 99-7104	14	Gasket Assembly Briggs and Stratton 303440-1326-E1	39
Left Hand Brake Assembly No. 104-6807	17	Carburetor Overhaul Kit Assembly Briggs and Stratton 303440-1326-E1	40
Right Hand Brake Assembly No. 104-6806	18		
Drivetrain Mounting, Battery and Air Cleaner Assembly	19		
Air Cleaner Assembly No. 99-7120	20		
Upper Steering Assembly	21		
Steering Gearbox Assembly No. 99-7660	22		
Box Assembly	23		
Box and Tailgate Assembly	24		
Hydraulic Brake Assembly	25		
Left Hand Caliper Assembly No. 107-0361	26		
Right Hand Caliper Assembly No. 107-0362	27		

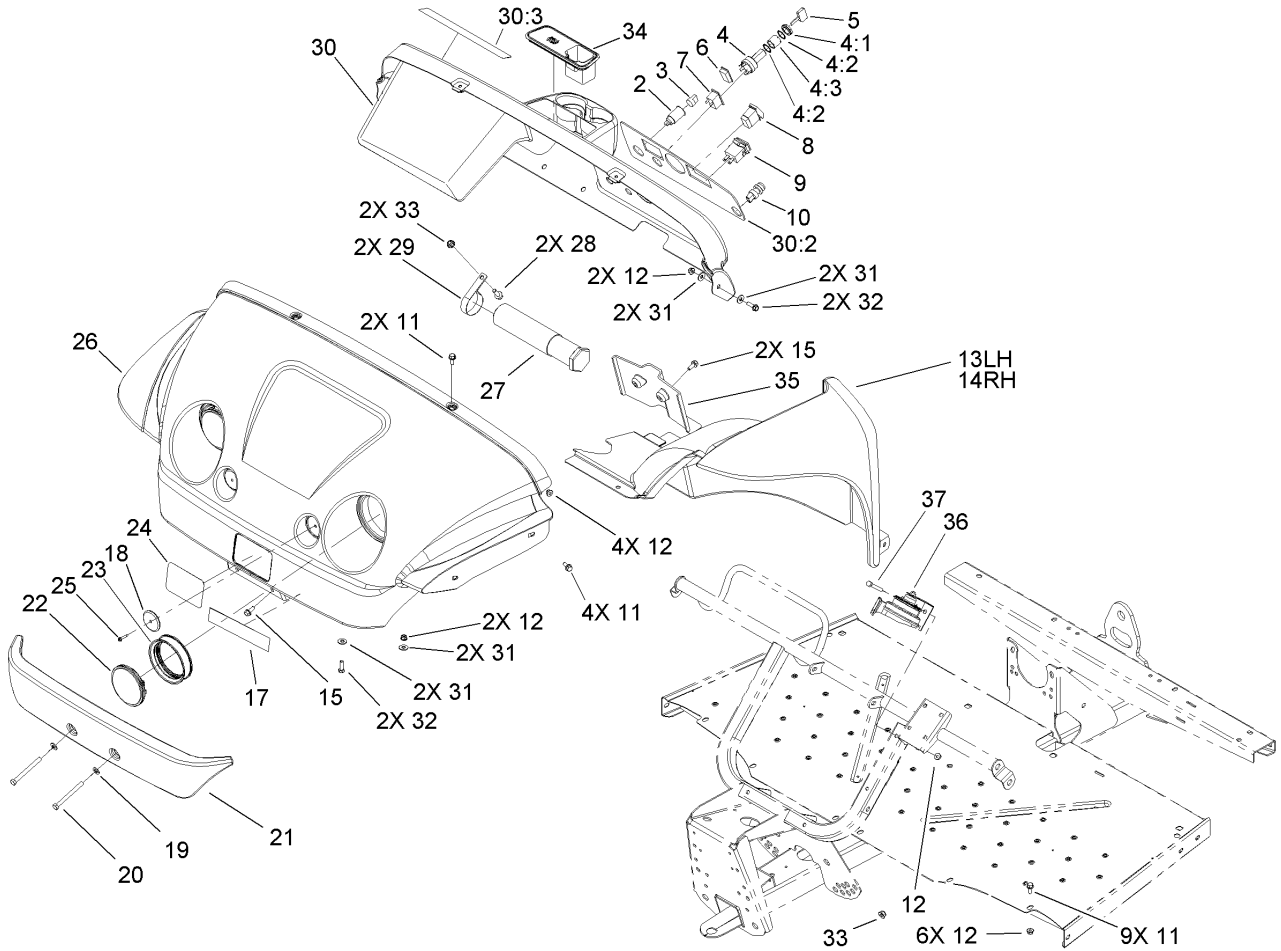
Part Description Abbreviations

Part descriptions in this catalog may include the following abbreviations.

AR. as required	INC. incorporated
ASM. assembly	LH. left hand
CARR. carriage	NI. nylon insert
DEG. degrees	PPH. phillips pan head
FH. flat head	PTH. phillips truss head
GA. gauge	PTO. power take off
HF. hex flange	RH. right hand
HH. hex head	SFH. slotted fillister head
HHF. hex head flange	SHH. slotted hex head
HHFTF. hex head flange thread forming	SHWH. slotted hex washer head
HJ. hex jam	SPH. slotted pan head
HLH. hex lag head	SQH. square head
HOC. height-of-cut	SRH. slotted round head
HS. hex	STD. standard
HSBH. hex socket button head	TAP. self tapping
HSFH. hex socket flat head	TTH. torx truss head
HSH. hex socket head	WH. wing head
HWH. hex washer head	
HWHTF. hex washer head thread forming	
HYD. hydraulic	

Footnotes

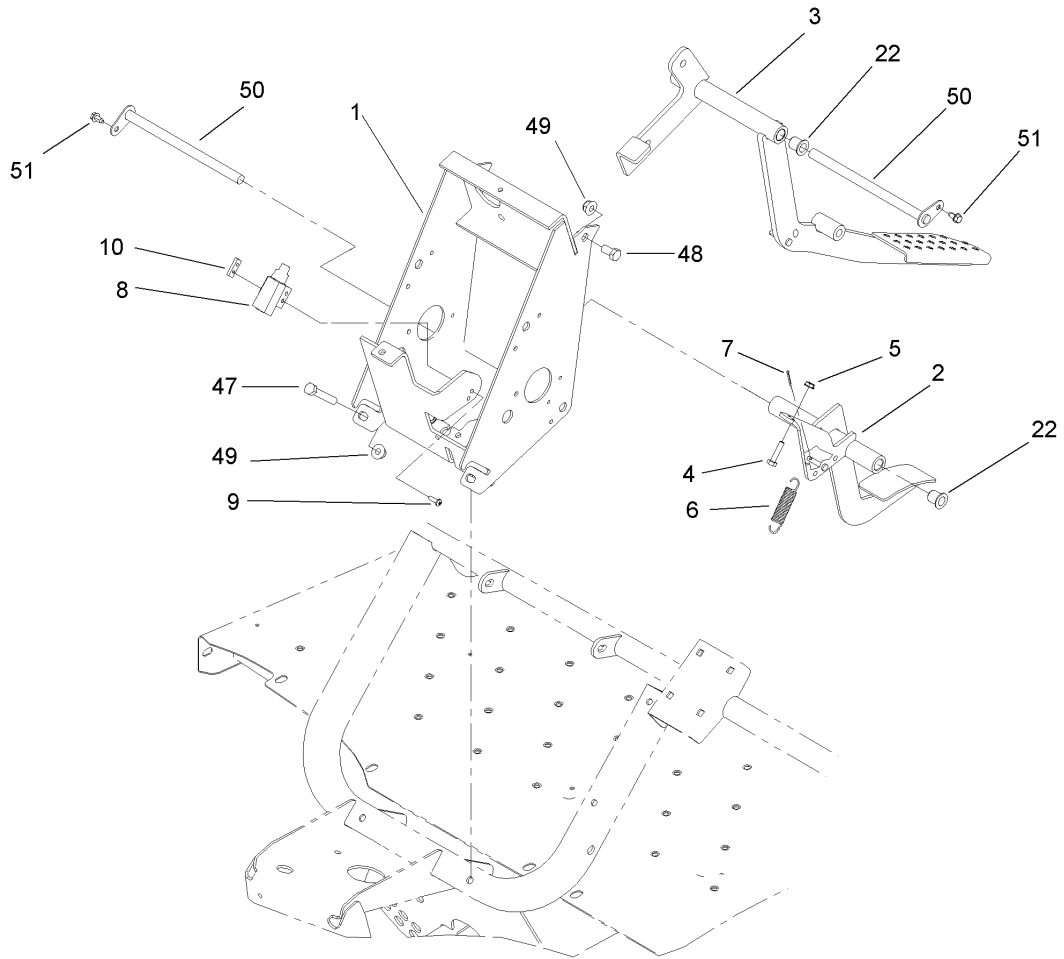
- | | |
|---|---|
| ❶ Not illustrated | ❷ Not serviced separately |
| ❸ Included in Engine Gasket Set-Ref. 358. | ❹ Included in Valve Gasket Set-Ref. 1095. |
| ❺ Included in Carburetor Overhaul Kit-Ref. 121. | ❻ Obtain parts from your local Briggs & Stratton dealer |



Hood and Fender Assembly

Ref	Part No.	Qty.	Description
2	99-7411	1	Point-Power
3	99-7416	1	Cap
4	104-6929	1	Switch-Ignition
4:1	104-7042	1	Nut-Switch, Plastic
4:2	104-7019	2	Washer-Lock, Internal
4:3	104-7021	1	Spacer-Switch
5	99-7418	2	Key-Ignition
6	99-7420	1	Plug-Hole
7	99-7410	1	Light-Oil
8	95-8999	1	Switch
9	94-4208	1	Hourmeter
10	18-2830	1	Button-Horn
11	3234-5	14	Screw
12	104-8300	15	Nut-Flange, NI
13	104-7076	1	LH Fender ASM
14	104-7077	1	RH Fender ASM
15	104-7206	4	Screw HHF
17	104-7267	1	Decal
18	99-7312	2	Reflector
19	3256-24	2	Washer-Flat
20	323-42	2	Screw-HH
21	99-7733	1	Bumper-Plastic
22	99-7310	2	Headlight
23	99-7311	2	Mount-Headlight

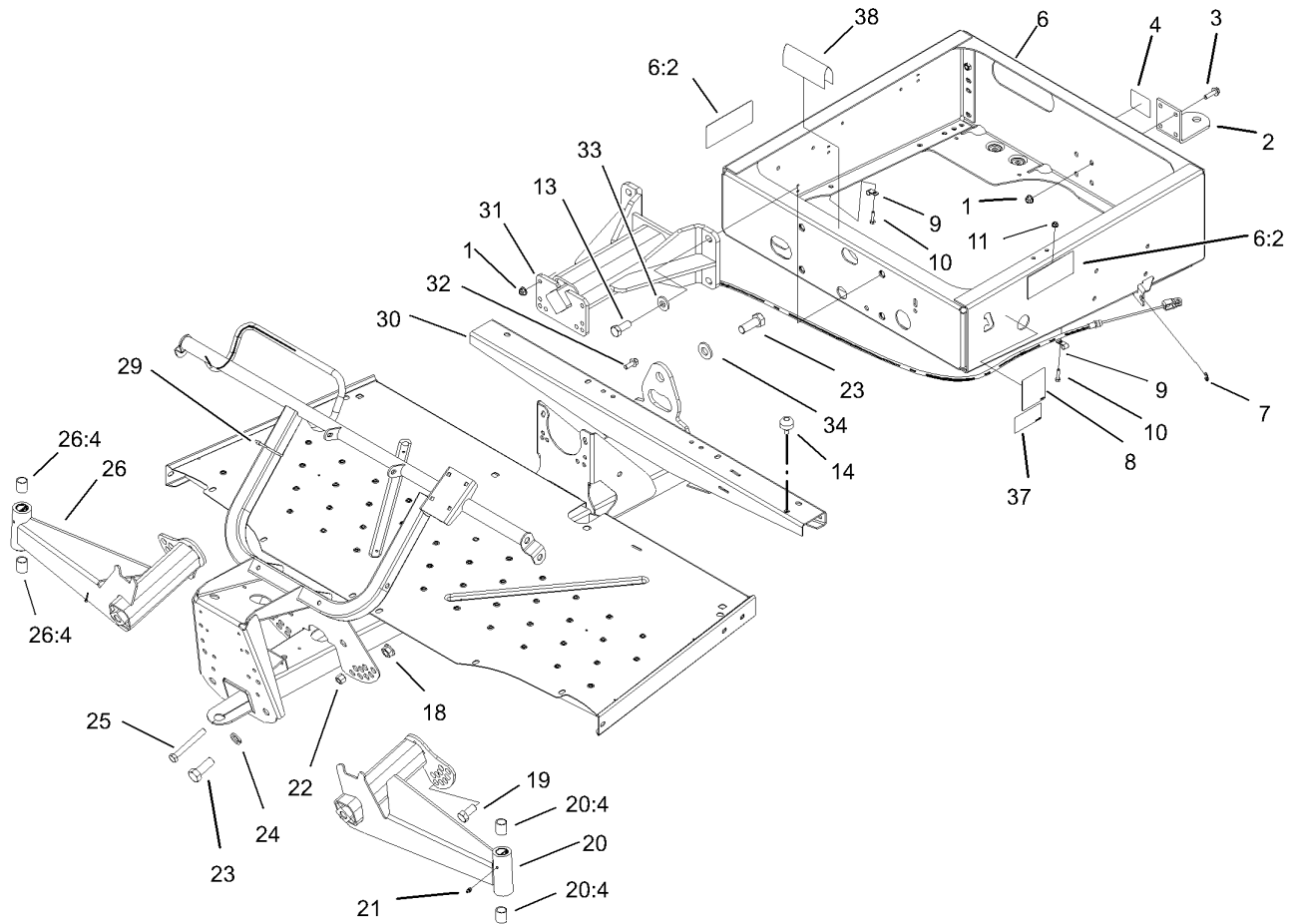
Ref	Part No.	Qty.	Description
24	99-7339	1	Decal
25	32144-89	2	Screw-Forming, Thread
26	104-7003	1	Hood
27	74-0720	1	Tube-Manual
28	3234-11	2	Screw-HHF
29	2412-133	2	R-Clamp
30	107-0700	1	Dash ASM
30:2	107-0699	1	Decal-Panel, Control
30:3	104-6581	1	Decal-Danger
31	3256-3	8	Washer-Flat
32	3234-17	4	Screw-HHF
33	104-8301	4	Nut-Flange, NI
34	104-6930	1	Plug-Rubber
35	104-7075	1	Cover-Channel
36	116749	1	Horn
37	322-11	1	Screw-HH



Pedal Assembly

Ref	Part No.	Qty.	Description
1	104-7160-03	1	Frame-Pedals
2	104-7165-03	1	Pedal-Throttle
3	104-7170-03	1	Pedal-Brake
4	321-7	2	Screw-HH
5	32149-2	2	Nut-Keps
6	104-6415	1	Spring-Return, Pedal
7	3272-4	1	Pin-Cotter
8	99-7407	1	Switch
9	104-7221	2	Screw-PPH
10	1-633181	1	Plate-Tapped
22	256-155	4	Bushing-Flange
47	323-11	2	Screw-HH
48	323-4	2	Screw-HH
49	104-8301	4	Nut-Flange, NI
50	104-7164	2	Pivot-Pedals
51	12-3270	2	Screw

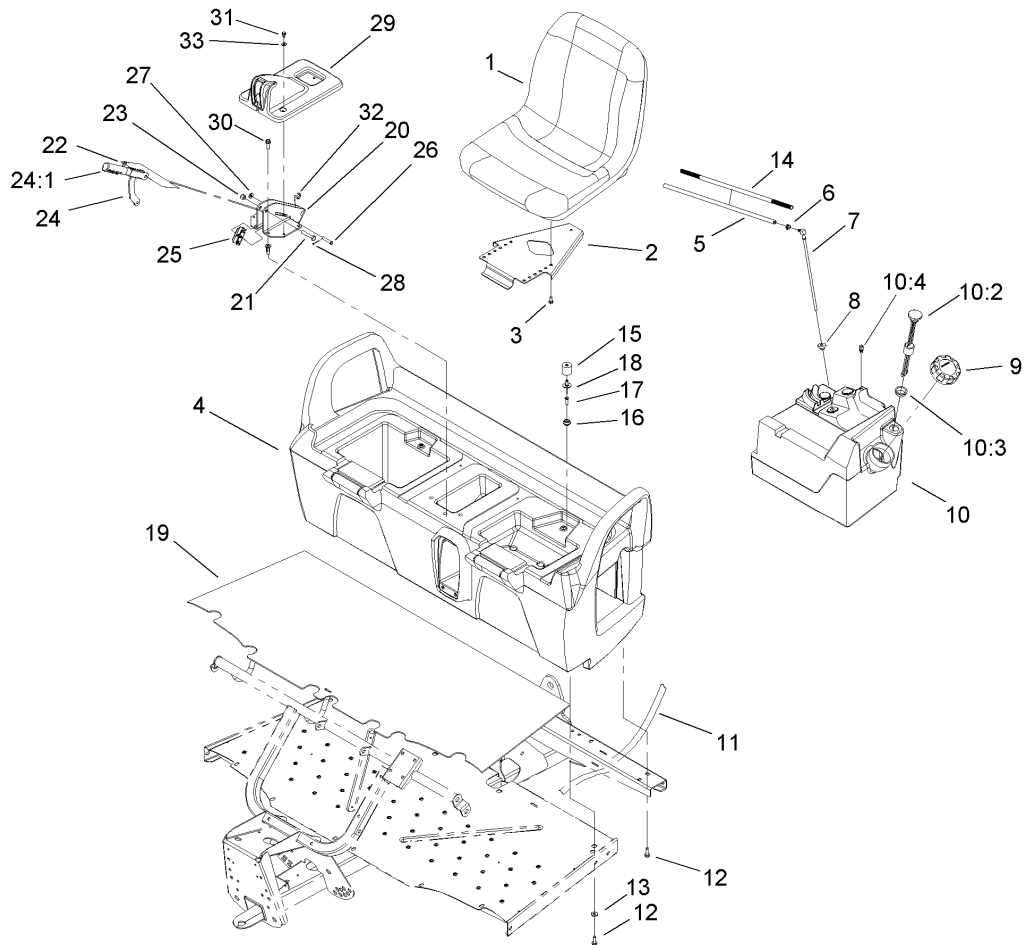
--	--	--	--



Frame Assembly

Ref	Part No.	Qty.	Description
1	104-8301	8	Nut-Flange, NI
2	99-7654-03	1	Hitch-Duty, Light
3	3234-24	4	Screw-HHF
4	99-7350	1	Decal-Information
6	99-7362	1	Rear Frame ASM
6:2	99-7345	2	Decal-Warning
7	32120-47	2	Ring-Retaining, External
8	99-7349	1	Decal-Information, Boxlatch
9	2412-89	2	Clamp
10	321-6	2	Screw-HH
11	32128-33	2	Nut-HF
13	327-4	4	Screw-HH
14	87-2440	1	Bumper-Rubber
18	32128-54	2	Nut-Flange
19	3214-2	2	Screw-HH
20	99-7685	1	LH A-Arm ASM
20:4	3-0348	2	Bushing
21	302-5	2	Fitting-Grease
22	3296-23	2	Nut-Lock, NI
23	328-24	5	Screw-HH
24	3254-7	4	Washer-Lock, Int
25	325-17	2	Screw-HH
26	99-7684	1	RH A-Arm ASM
26:4	3-0348	2	Bushing

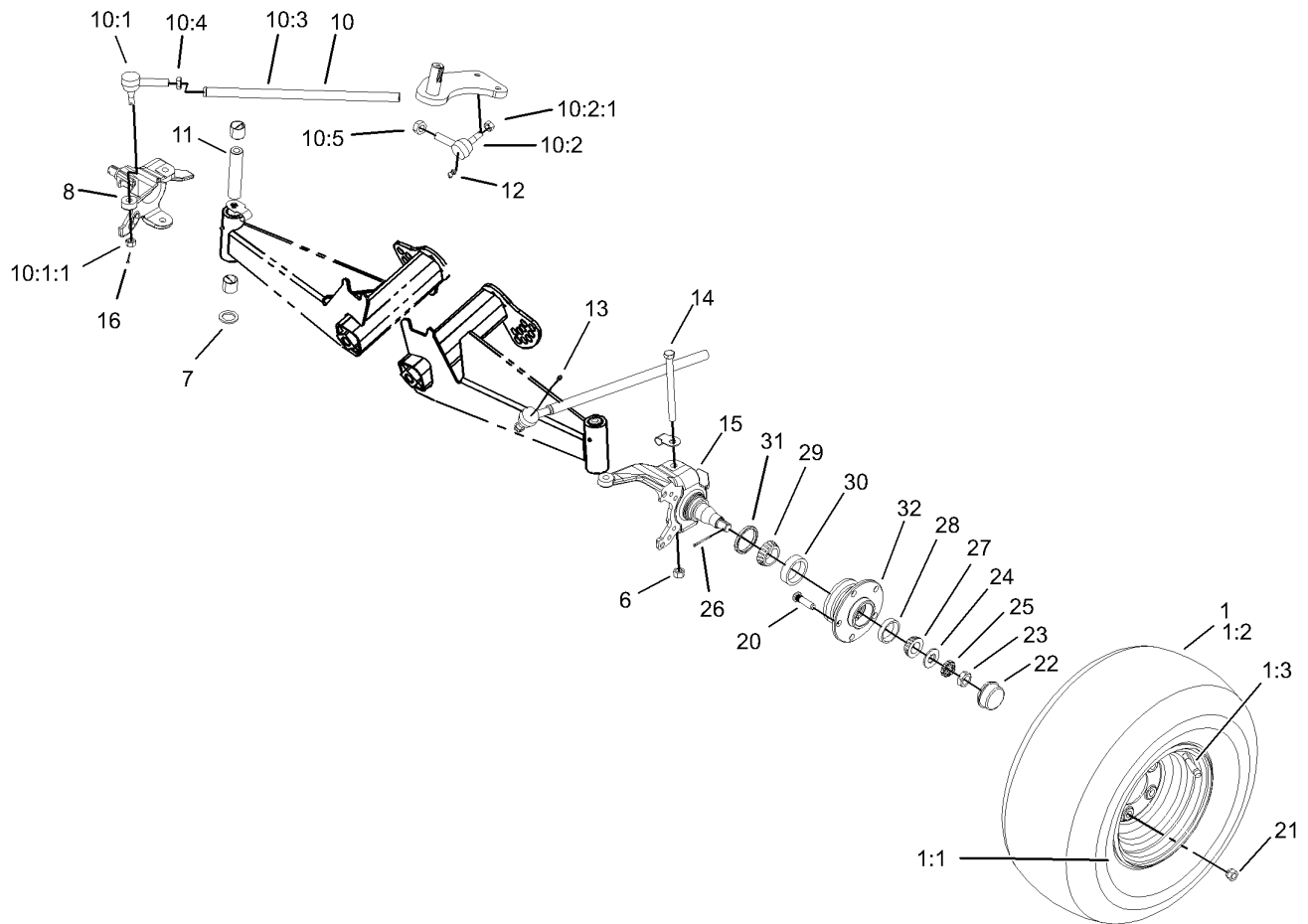
Ref	Part No.	Qty.	Description
29	3290-379	12	Tie-Cable
30	104-7197-03	1	Front Frame ASM
31	99-7700	1	Pivot Yoke ASM
32	3234-11	4	Screw-HHF
33	99-7667	4	Washer-Flat
34	87-3060	1	Washer-Hardened
37	104-6591	1	Decal-Capacity
38	95-5686	1	Trim



Seat Base Assembly

Ref	Part No.	Qty.	Description
1	106-6672	2	Seat
2	99-7829	2	Bracket-Seat
3	33114-016	8	Screw-HH
4	104-6847	1	Seat Base ASM
5	99-7187	1	Hose-Fuel
6	2412-98	1	Clamp
7	99-7264	1	Pipe-Stand
8	46-6560	1	Bushing
9	95-4192	1	Unleaded Gas Cap ASM
10	99-7323	1	Fuel Tank ASM
10:2	99-7262	1	Gauge-Fuel
10:3	95-8972	1	Grommet
10:4	99-7267	1	Vent-Air
11	3339-175	1	Strapping-Web, 48in
12	3234-17	8	Screw-HHF
13	88-7200	8	Washer-Flat
14	99-7129	1	Conduit-Line, Fuel
15	99-7830	2	Rubber Receptical ASM
16	99-7833	2	Post-Holding
17	32108-5	2	Screw-FH
18	3290-412	2	Rivet
19	104-6590	1	Mat-Floor
20	104-6844-03	1	Support-Brake, Park ASM
21	323-10	1	Screw-HH

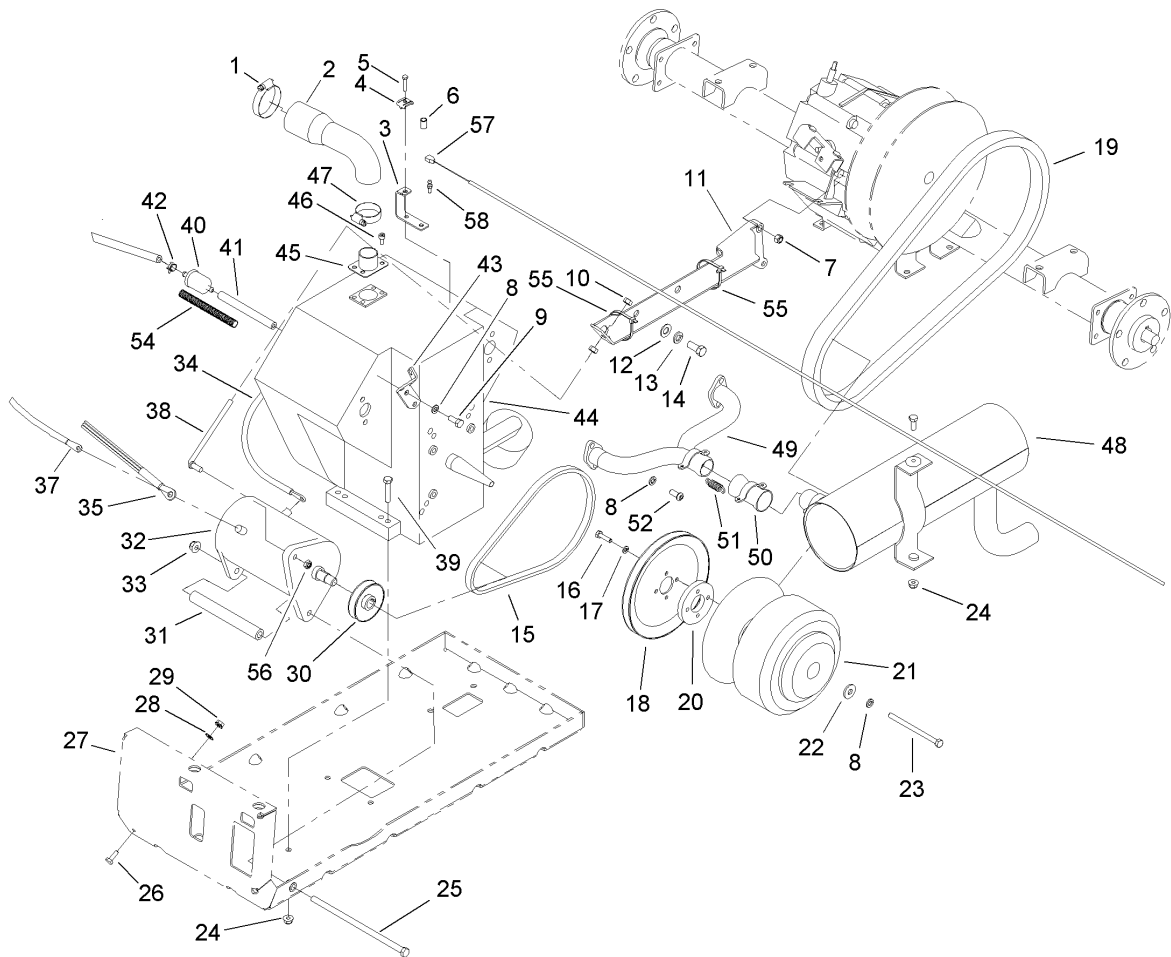
Ref	Part No.	Qty.	Description
22	3290-477	1	Washer-Curved
23	3296-39	1	Nut-Lock, NI
24	104-6842	1	Lever-Brake, Park
24:1	106-7972	1	Grip-Handle
25	87-3480	1	Bracket-Equalizer, Cable
26	94-3829	1	Pin-Clevis
27	3256-23	1	Washer-Flat
28	3272-6	1	Pin-Cotter
29	104-7014	1	Cover-Brake, Parking
30	3234-17	4	Screw-HHF
31	12-3270	2	Screw
32	32120-47	2	Ring-Retaining, External
33	3256-1	2	Washer-Flat



Front Tire and Steering Assembly

Ref	Part No.	Qty.	Description
1	104-7290	2	Tire And Wheel ASM
1:1	104-7288	1	Wheel
1:2	104-7289	1	Tire
1:3	232-27	1	Stem-Valve
6	3296-23	2	Nut-Lock, NI
7	256-115	2	Washer-Thrust
8	104-6877-03	1	Spindle-Disc, RH
10		2	Tie Rod ASM
10:1	112772	1	Joint-Ball, RH
10:1:1	915031	1	Nut
10:2	112771	1	Joint-Ball, LH
10:2:1	915031	1	Nut
10:3	99-7600-03	1	Rod-Tie
10:4	3220-11	1	Nut-Jam
10:5	3218-21	1	Nut-Jam
11	99-7499	2	Sleeve-Kingpin
12	302-60	2	Fitting-Grease
13	302-5	2	Fitting-Grease
14	325-20	2	Screw-HH
15	104-6876-03	1	Spindle-Disc, LH
16	3272-7	4	Pin-Cotter
20	10-6830	10	Stud-Type, Drive
21	242-50	10	Nut-Lug
22	241-119	2	Cap-Dust

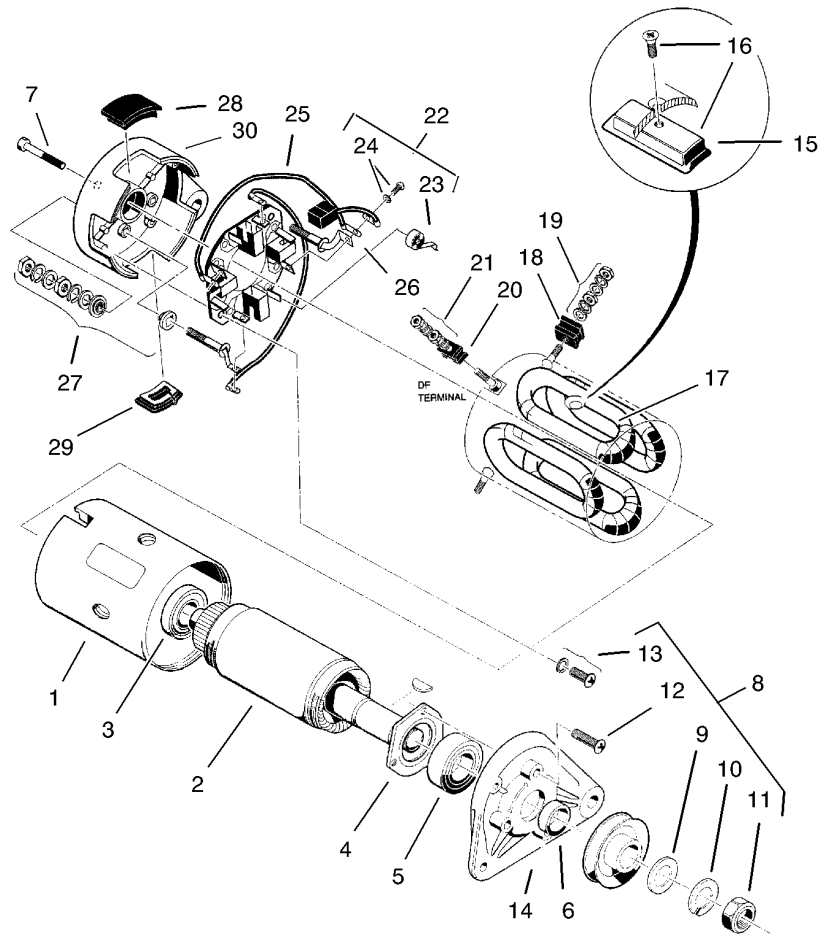
Ref	Part No.	Qty.	Description
23	3220-7	2	Nut-Jam
24	93-0309	2	Washer-Tab
25	93-0307	2	Nut-Lock, Retainer
26	3272-12	2	Pin-Cotter
27	254-94	2	Bearing-Cone, Tapered
28	254-72	2	Bearing-Cup, Tapered
29	254-106	2	Cone-Bearing, Tapered
30	254-107	2	Cup-Bearing, Tapered
31	87-3590	2	Seal-Bearing
32	104-6809-03	2	Hub



Engine and Clutch Assembly

Ref	Part No.	Qty.	Description
1	2412-130	1	Clamp-Hose
2	99-7106	1	Hose-Intake
3	107-0319	1	Bracket-Cable
4	81-1690	1	Clamp-Cable
5	3290-432	1	Screw-HH
6	32148-14	1	Insert-Threaded
7	33024-00	2	Nut-Lock
8	3253-4	6	Washer-Lock
9	66-3160	2	Screw-Cap
10	3217-6	2	Nut-Hex
11	104-6631-03	1	Torque Arm ASM
12	3256-25	2	Washer-Flat
13	3253-6	2	Washer-Lock
14	324-4	2	Screw-HH
15	99-7133	1	V-Belt-Starter
16	321-6	4	Screw-HH
17	3253-3	4	Washer-Lock
18	99-7131	1	Pulley-Engine
19	99-7144	1	Belt-Drive
20	99-7064	1	Spacer-Starter
21	108-3049	1	Clutch-Drive
22	5-0838	1	Washer
23	99-7201	1	Screw-HH
24	104-8300	5	Nut-Flange, NI

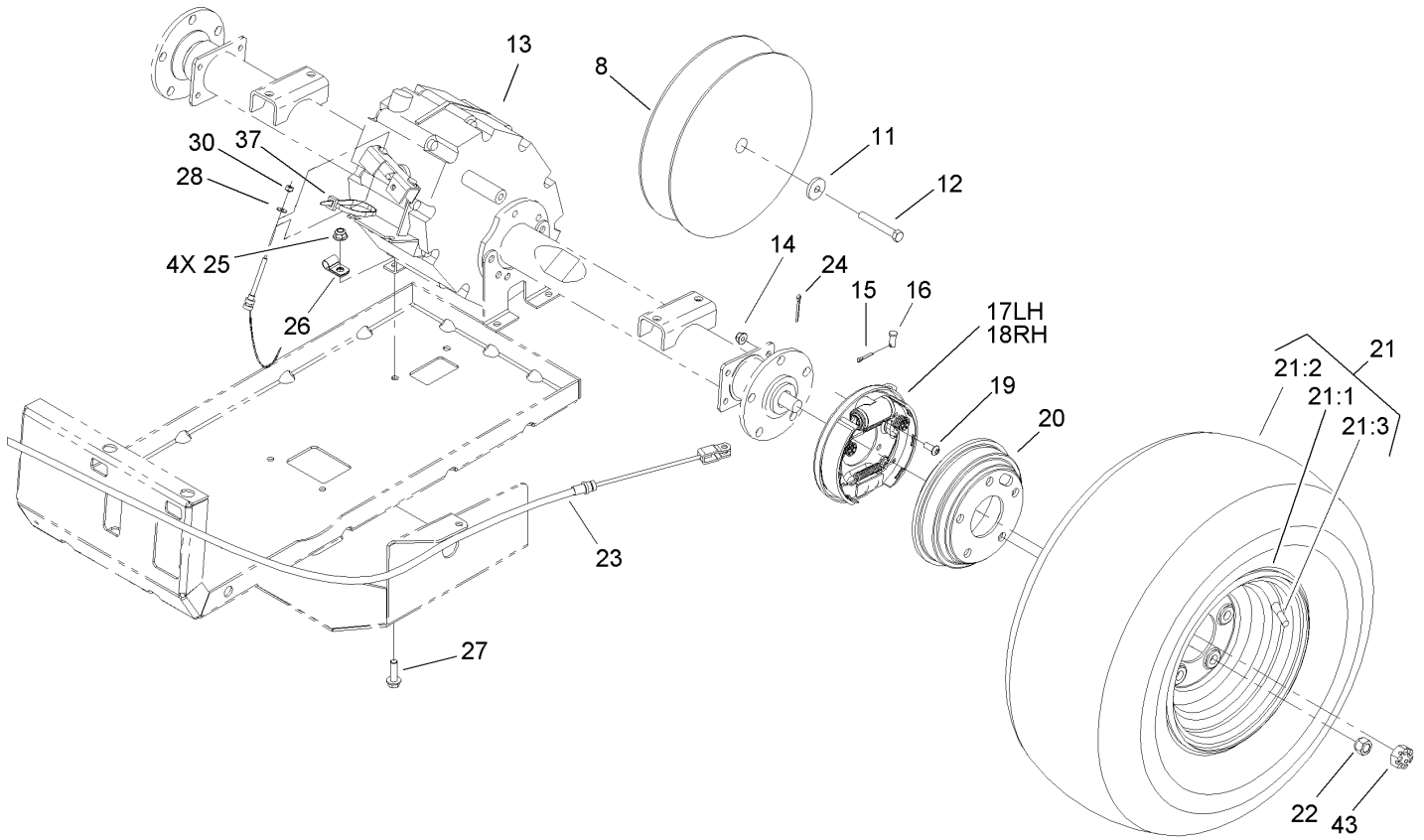
Ref	Part No.	Qty.	Description
25	99-7203	1	Screw
26	321-4	1	Screw-HH
27	104-6433-03	1	Mount-Engine
28	3255-8	1	Washer-Lock
29	32128-32	1	Nut-HHF
30	99-7130	1	Pulley-Starter
31	99-7053	1	Pivot-Starter
32	99-7108	1	Generator-Starter
33	104-8301	2	Nut-Flange, NI
34	99-7403	1	Cable-Negative
35	99-7437	1	Harness-Wire, Engine
37	104-6926	1	Cable-Positive
38	104-6629	1	Rod-Starter
39	322-8	4	Screw-HH
40	94-2690	1	Filter-Fuel
41	47-2966	1	Hose-Fuel
42	2412-98	3	Clamp
43	104-7152	1	Bracket-Cable, Throttle
44	107-0353	1	Engine-Briggs And Stratton, 303440-1326-E1
45	99-7083	1	Bracket-Intake
46	99-7202	4	Screw
47	2412-3	1	Clamp-Hose
48	104-6475	1	Muffler-Engine



Starter Generator Assembly No. 99-7108

Ref	Part No.	Qty.	Description
①		1	Yoke
2	104-1210	1	Armature Kit
3	104-1211	1	Bearing-Ball, Rear
4	104-1212	1	Retainer
5	104-1213	1	Bearing-Ball, Front
6	104-1214	1	Spacer
7	104-1215	2	Bolt
⑧		1	Nut And Screw Set
9	104-1216	1	Washer-Plain
10	104-1217	1	Washer-Spring
11	104-1218	1	Nut-Hex
⑫		3	Screw-Flange
13	104-1219	2	Set-Screw
14	104-1220	1	Bracket-Front
⑮		4	Pole
16	104-1221	1	Set-Pole And Screw
17	104-1222	1	Field Stator Coil ASM
⑮		2	F Mold
19	104-1223	2	Set-Screw
⑳		1	Df Mold
21	104-1224	1	Set-Screw
22	104-1225	1	Brush Holder Kit
23	104-1226	4	Spring-Brush
24	104-1227	1	Brush And Screw Set

Ref	Part No.	Qty.	Description
⑳		2	Brush Connector ASM
㉑		2	A Terminal ASM
27	104-1228	2	Screw And Mold ASM
㉓		1	Cover Set
㉔		1	Cover B
㉕		1	Bracket-Rear

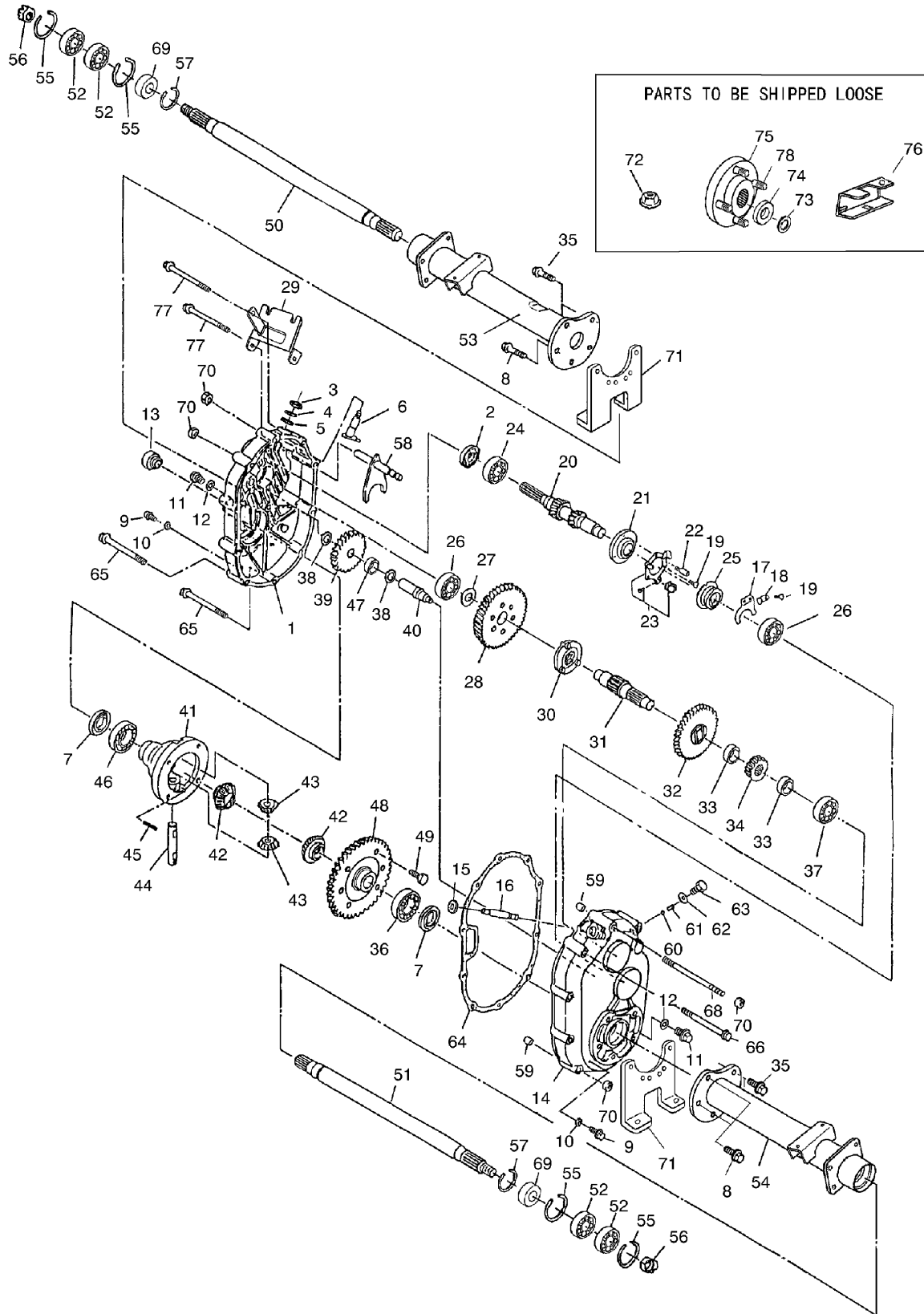


Rear Tire and Transaxle Assembly

Ref	Part No.	Qty.	Description
8	99-7104	1	Clutch-Driven
11	104-6563	1	Washer-Stepped
12	104-6564	1	Screw-HH
13	107-0360	1	Transaxle
14	104-8300	8	Nut-Flange, NI
15	3272-10	2	Pin-Cotter
16	283-62	2	Pin-Clevis
17	104-6807	1	LH Brake ASM
18	104-6806	1	RH Brake ASM
19	3274-55	8	Screw-HSBH
20	104-6500	2	Drum-Brake
21	104-7282	2	Tire/wheel ASM
21:1	104-7279	1	Wheel
21:2	104-7281	1	Tire
21:3	232-27	1	Stem-Valve
22	242-50	10	Nut-Lug
23	104-6846	2	Cable-Brake, Park
24	3272-42	2	Pin-Cotter
25	104-8301	4	Nut-Flange, NI
26	2412-10	1	R-Clamp
27	3234-24	4	Screw-HHF
28	3256-49	2	Washer-Flat
30	3296-2	2	Nut-Lock
37	3290-378	1	Tie-Cable

Ref	Part No.	Qty.	Description
43	104-1656	2	Nut-Castle

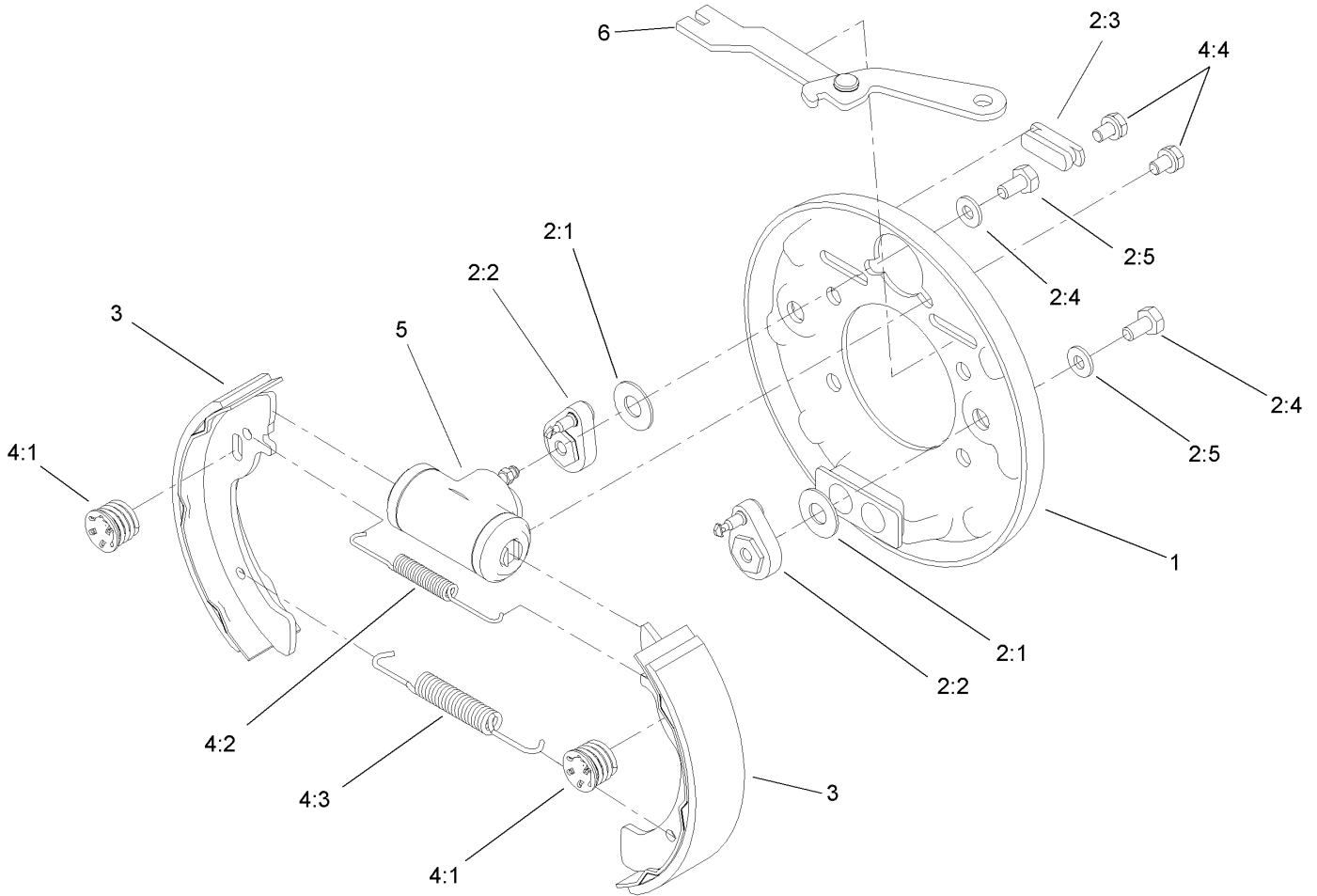
Transaxle Assembly No. 107-0360



Transaxle Assembly No. 107-0360

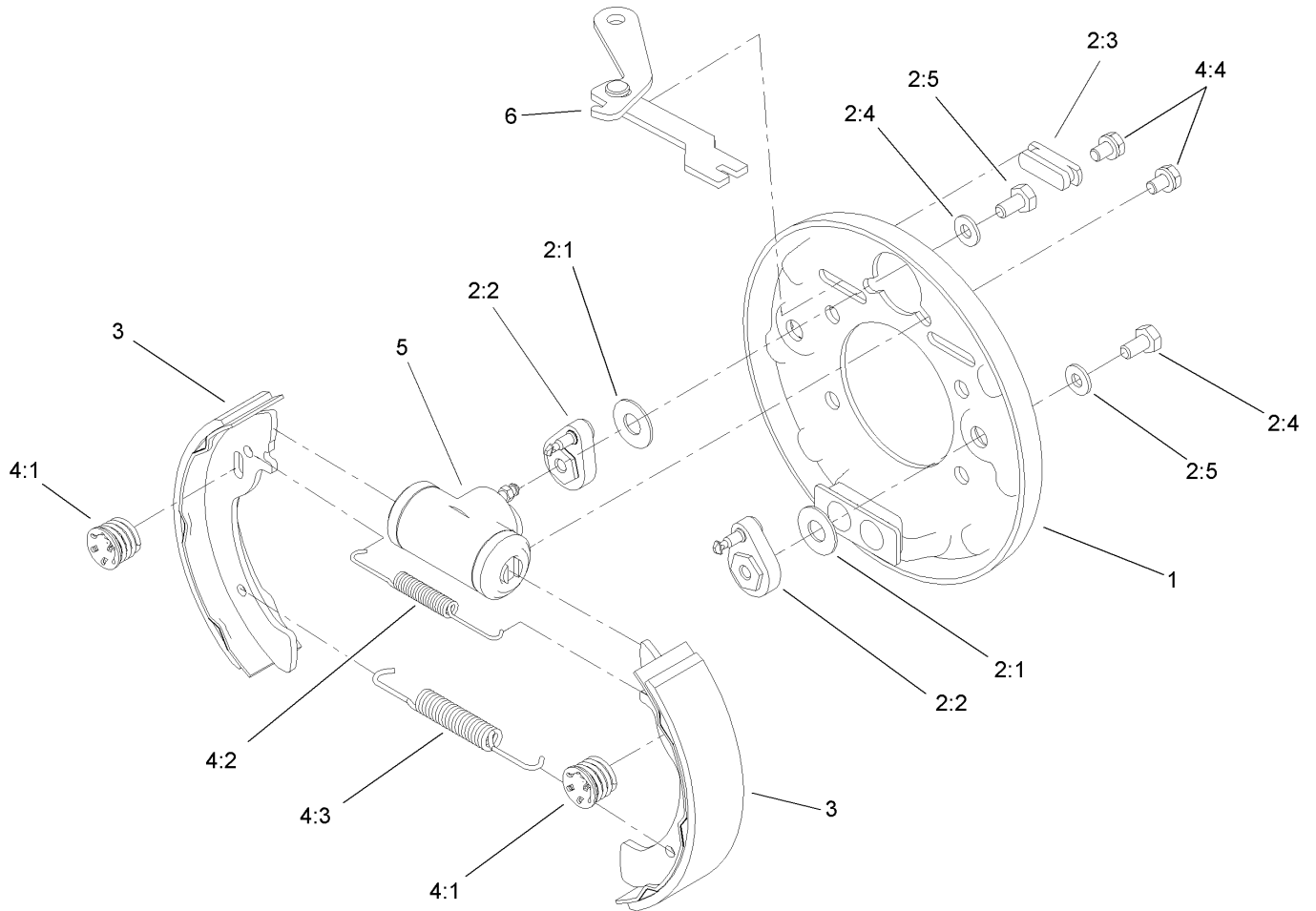
Ref	Part No.	Qty.	Description
1	104-1601	1	Case-Lh, Complete
2	104-1602	1	Seal-Oil
3	104-1603	1	Seal-Oil
4	104-1604	1	Ring-Snap
5	104-1605	1	Spacer
6	104-1606	1	Shaft-Selector
7	104-1607	2	Seal-Oil
8	104-1608	4	Bolt-Flange
9	104-1609	2	Plug-Check, Oil
10	104-1610	2	Gasket
11	104-1611	2	Plug-Drain, Oil
12	104-1612	2	Gasket
13	104-1613	1	Plug-Filler, Oil
14	104-1614	1	Case-Complete, RH
15	104-1615	1	Seal-Oil
16	104-1616	1	Shaft-Governor
17	104-1617	1	Fork-Governor
18	104-1618	1	Stopper
19	104-1619	4	Screw And Washer ASM
20	104-7002	1	Shaft-Input, Complete
21	104-1621	1	Base-Governor
22	104-1622	1	Pin-Lock
23	104-1623	1	Unit-Plate, Governor
24	104-1624	1	Bearing-Ball
25	104-1625	1	Sleeve-Governor
26	104-1626	2	Bearing-Ball
27	104-1627	1	Spacer
28	104-1628	1	Gear
29	104-1629	1	Bracket-Wire, Change
30	104-1630	1	Clutch-Pin
31	104-1631	1	Shaft-Center
32	104-1632	1	Gear-47
33	104-1633	2	Collar
34	104-1634	1	Gear
35	104-1635	6	Bolt-Flange
36	104-1636	1	Bearing-Ball
37	104-1637	1	Bearing-Ball
38	104-1638	2	Spacer
39	104-1639	1	Gear-34
40	104-1640	1	Shaft-Counter
41	104-1641	1	Case-Differential
42	104-1642	2	Gear-Side, Differential
43	104-1643	2	Pinion-Differential
44	104-1644	1	Shaft-Differential
45	104-1645	1	Pin
46	104-1646	1	Bearing-Ball
47	104-1647	1	Bearing-Needle
48	104-1648	1	Gear-62
49	104-1649	6	Bolt
50	104-1650	1	Shaft-Axle, LH
51	104-1651	1	Shaft-Axle, RH
52	104-1652	4	Bearing-Ball

Ref	Part No.	Qty.	Description
53	104-1653	1	Case-Axle, LH
54	104-1654	1	Case-Axle, RH
55	104-1655	4	Ring-Snap
56	104-1656	2	Nut-Castle
60	104-1660	1	Ball-Steel
57	104-1657	2	Ring-Snap
58	104-6870	1	Shaft-Shift, Complete
59	104-1659	2	Knock-Pipe
60	104-1660	1	Ball-Steel
61	104-1661	1	Spring
62	104-1662	1	Gasket
63	104-1663	1	Bolt
64	104-1664	1	Gasket
65	104-1665	6	Bolt-Flange
66	104-1666	1	Bolt-Flange
68	104-6866	1	Bolt
69	104-6867	2	Collar
70	33004-00	11	Nut-HF
71	104-1671	2	Bracket-Axle
72	104-1672	1	Nut-Lock
73	104-1673	2	Washer-Spring
74	104-1674	2	Washer
75	104-1675	2	Hub
76	104-6860	1	Lever-Select
77	104-6869	2	Bolt-Flange
78	104-8649	10	Stud



Left Hand Brake Assembly No. 104-6807

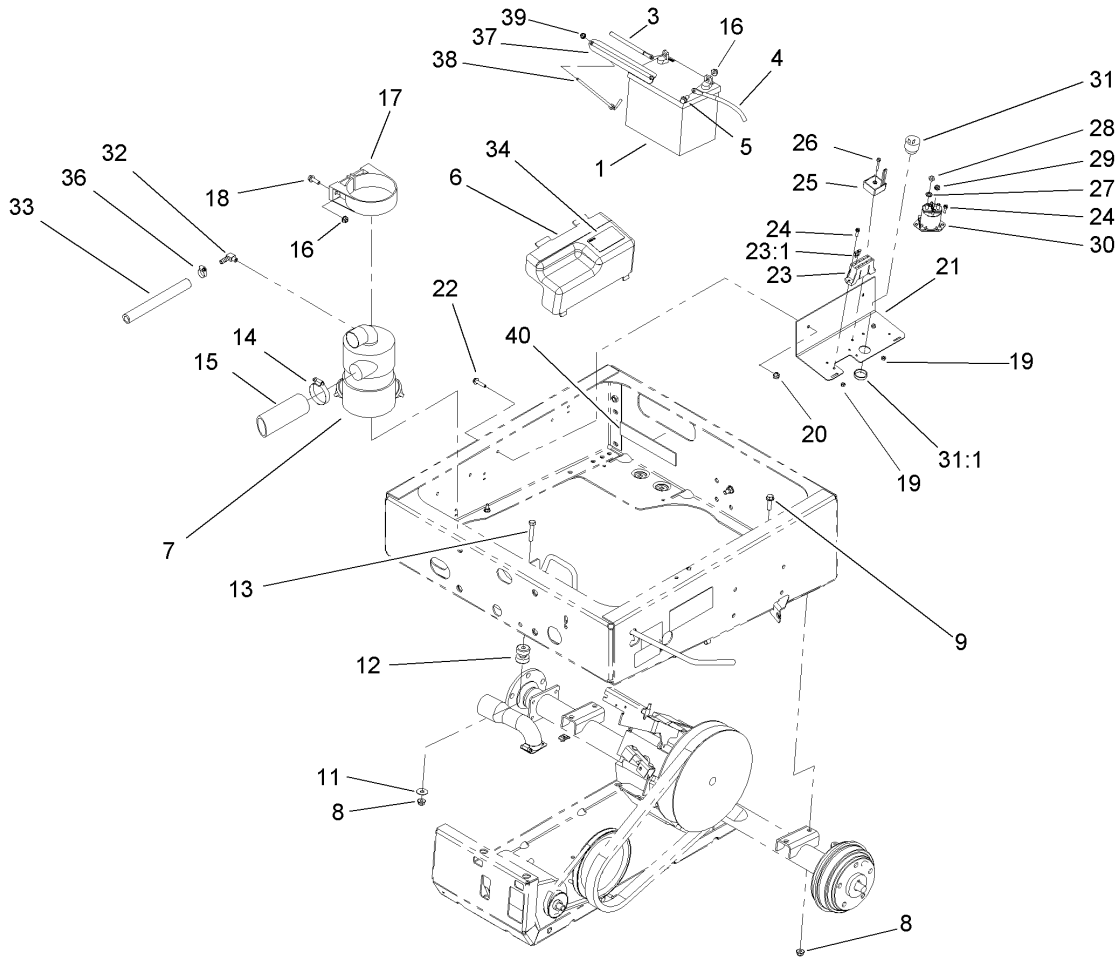
Ref	Part No.	Qty.	Description
1	100-8586	1	Backing Plate ASM
2	104-6820	1	Adjuster Kit
2:1	100-8585	2	Washer-Bellville
2:2	100-8588	2	Adjuster Lever ASM
2:3	100-8584	2	Cover-Dust
2:4		2	Washer
2:5		2	Bolt
3	104-6818	4	Shoe And Lining Kit
4	104-6819	1	Hardware Kit
4:1	100-8583	2	Shoe Hold Down Spring ASM
4:2	100-8581	2	Spring-Upper
4:3	100-8582	2	Spring-Lower
4:4		2	Bolt And Washer
5	104-6824	1	Wheel Cylinder ASM
6	104-6825	1	LH Park Brake Lever ASM



Right Hand Brake Assembly No. 104-6806

Ref	Part No.	Qty.	Description
1	100-8586	1	Backing Plate ASM
2	104-6820	1	Adjuster Kit
2:1	100-8585	2	Washer-Bellville
2:2	100-8588	2	Adjuster Lever ASM
2:3	100-8584	2	Cover-Dust
2:4		2	Washer
2:5		2	Bolt
3	104-6818	4	Shoe And Lining Kit
4	104-6819	1	Hardware Kit
4:1	100-8583	2	Shoe Hold Down Spring ASM
4:2	100-8581	2	Spring-Upper
4:3	100-8582	2	Spring-Lower
4:4		2	Bolt And Washer
5	104-6824	1	Wheel Cylinder ASM
6	104-6826	1	RH Park Brake Lever ASM

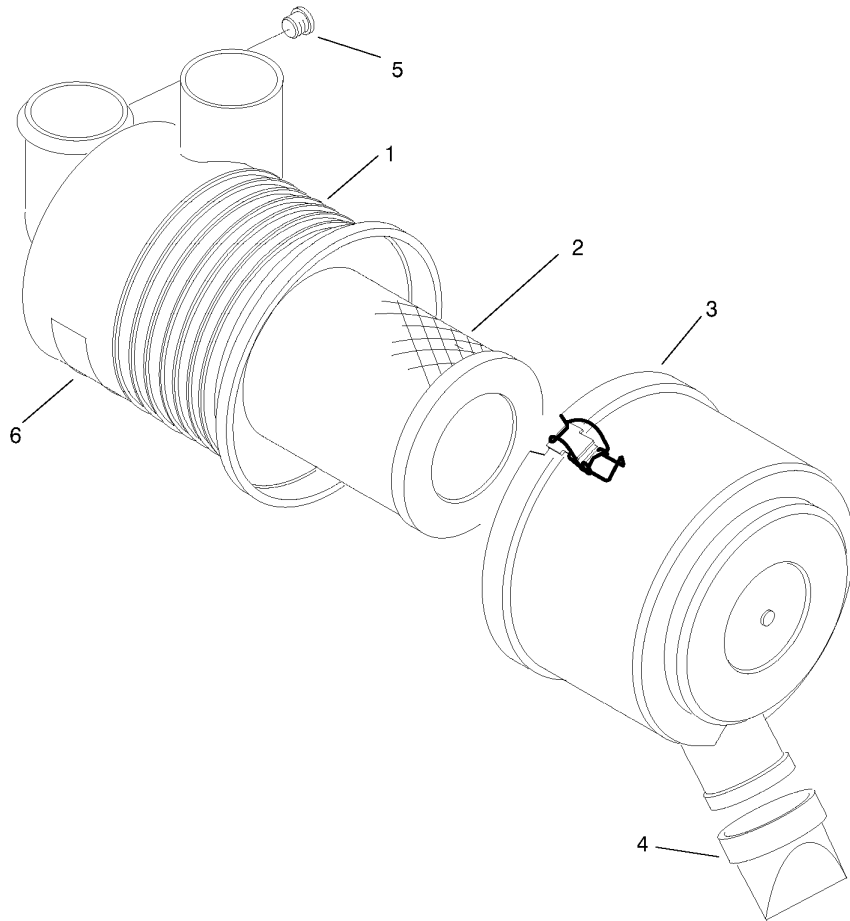
--	--	--	--



Drivetrain Mounting, Battery and Air Cleaner Assembly

Ref	Part No.	Qty.	Description
1	104-8162	1	Battery
3	99-7415	1	Cable-Negative
4	99-7404	1	Cable-Positive
5	3234-5	2	Screw
6	99-7325	1	Cover-Electrical
7	99-7120	1	Filter-Air
8	104-8301	6	Nut-Flange, NI
9	3234-24	4	Screw-HHF
11	3256-35	2	Washer-Flat
12	95-2596	2	Mount-Iso
13	323-10	2	Screw-HH
14	2412-130	1	Clamp-Hose
15	104-6528	1	Hose-Intake
16	104-8300	4	Nut-Flange, NI
17	95-5806	1	Bracket-Mounting
18	3234-17	2	Screw-HHF
19	3296-2	5	Nut-Lock
20	32128-32	2	Nut-HHF
21	99-7051-03	1	Mount-Component
22	3234-21	2	Screw-Cap
23	107-0669	1	Harness-Wire, Main
23:1	218-578	3	Fuse-10 Amp
23:2	100-4918	1	Diode
24	32105-13	4	Screw-SHH

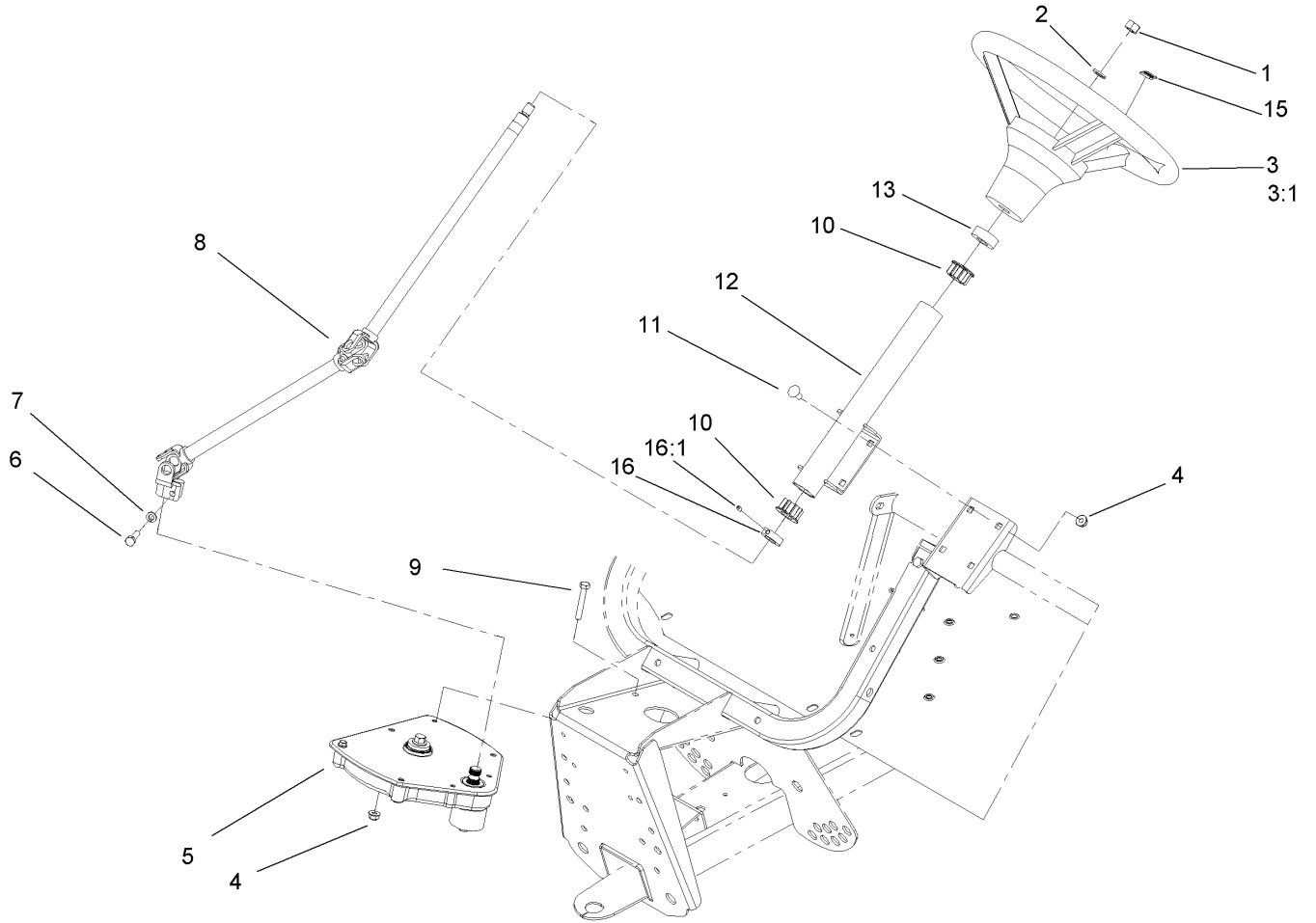
Ref	Part No.	Qty.	Description
25	104-6927	1	Regulator
26	32105-1	1	Screw-SHH
27	3255-8	2	Washer-Lock
28	3218-2	2	Nut-Jam
29	32149-8	2	Nut-Keps
30	99-7406	1	Solenoid
31	80-9330	1	Alarm-Audio
31:1	104-5107	1	Nut-Plastic, Knurled
32	99-7230	1	Fitting-90 DEG
33	99-7842	1	Hose-Breather
34	99-7352	1	Decal-Information
36	2412-36	2	Clamp-Hose
37	92-5018-03	1	Clamp-Battery
38	95-4042	2	Hook-Retain, Battery
39	104-7201	2	Nut-HF
40	104-7102	1	Pad-Battery



Air Cleaner Assembly No. 99-7120

Ref	Part No.	Qty.	Description
1		1	Body
2	108-3811	1	Filter-Air
3	94-3652	1	Cover ASM
4	87-9400	1	Valve-Vacuator
5		1	Plug
6		1	Marking

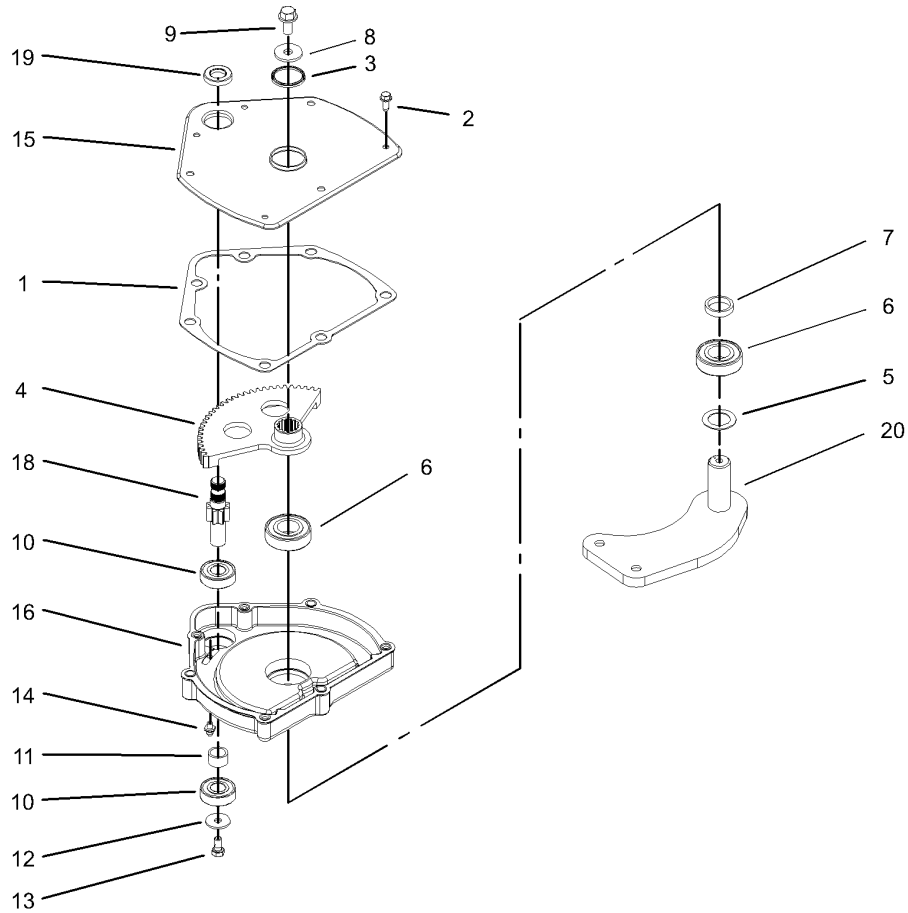
--	--	--	--



Upper Steering Assembly

Ref	Part No.	Qty.	Description
1	3277-1	1	Nut-Hex
2	48-8070	1	Washer-Lock
3	98-1471	1	Wheel-Steering
3:1	98-1468	1	Cover-Wheel, Steering
4	104-8300	7	Nut-Flange, NI
5	99-7660	1	Steering Gearbox ASM
6	48-7730	1	Screw-HH
7	3253-4	1	Washer-Lock
8	99-7653	1	Shaft-Steering
9	322-10	3	Screw-HH
10	93-1146	2	Bushing-Upper, Steering
11	3230-1	4	Bolt-CARR
12	99-7651-03	1	Column-Steering
13	21-9260	1	Cover-Dust
15	98-1459	1	Decal
16	111383	1	Collar
16:1	3245-32	1	Screw-HS

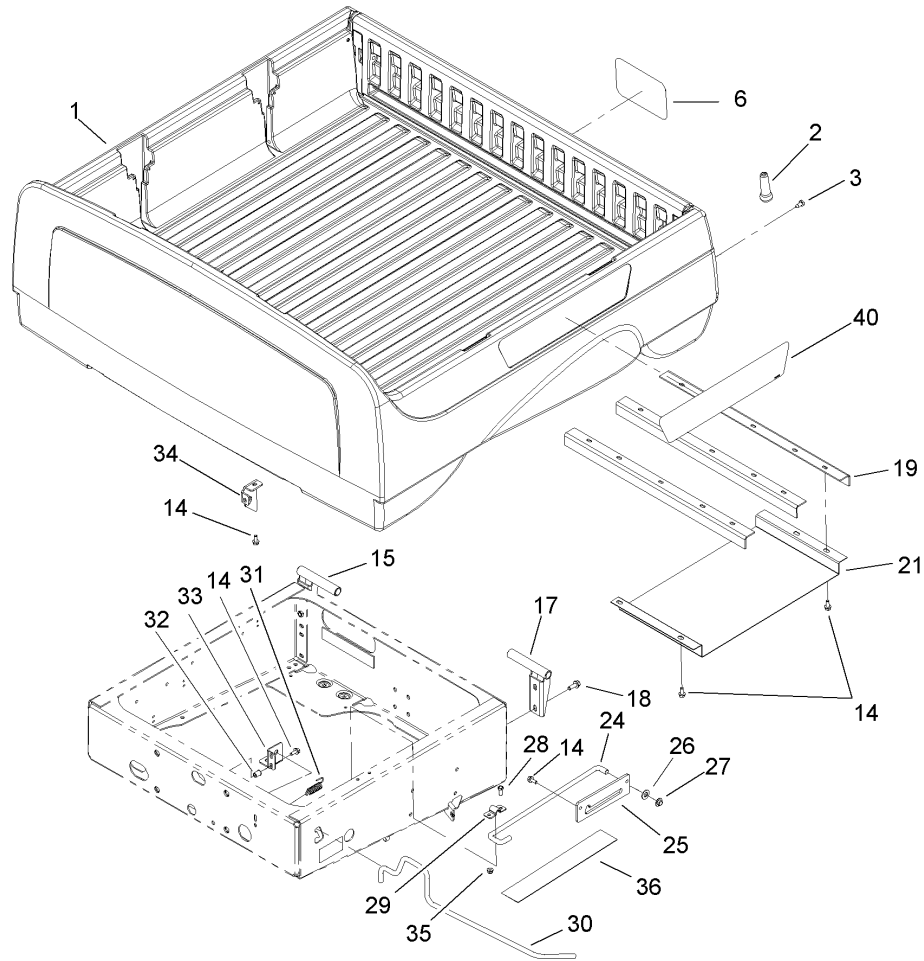
--	--	--	--



Steering Gearbox Assembly No. 99-7660

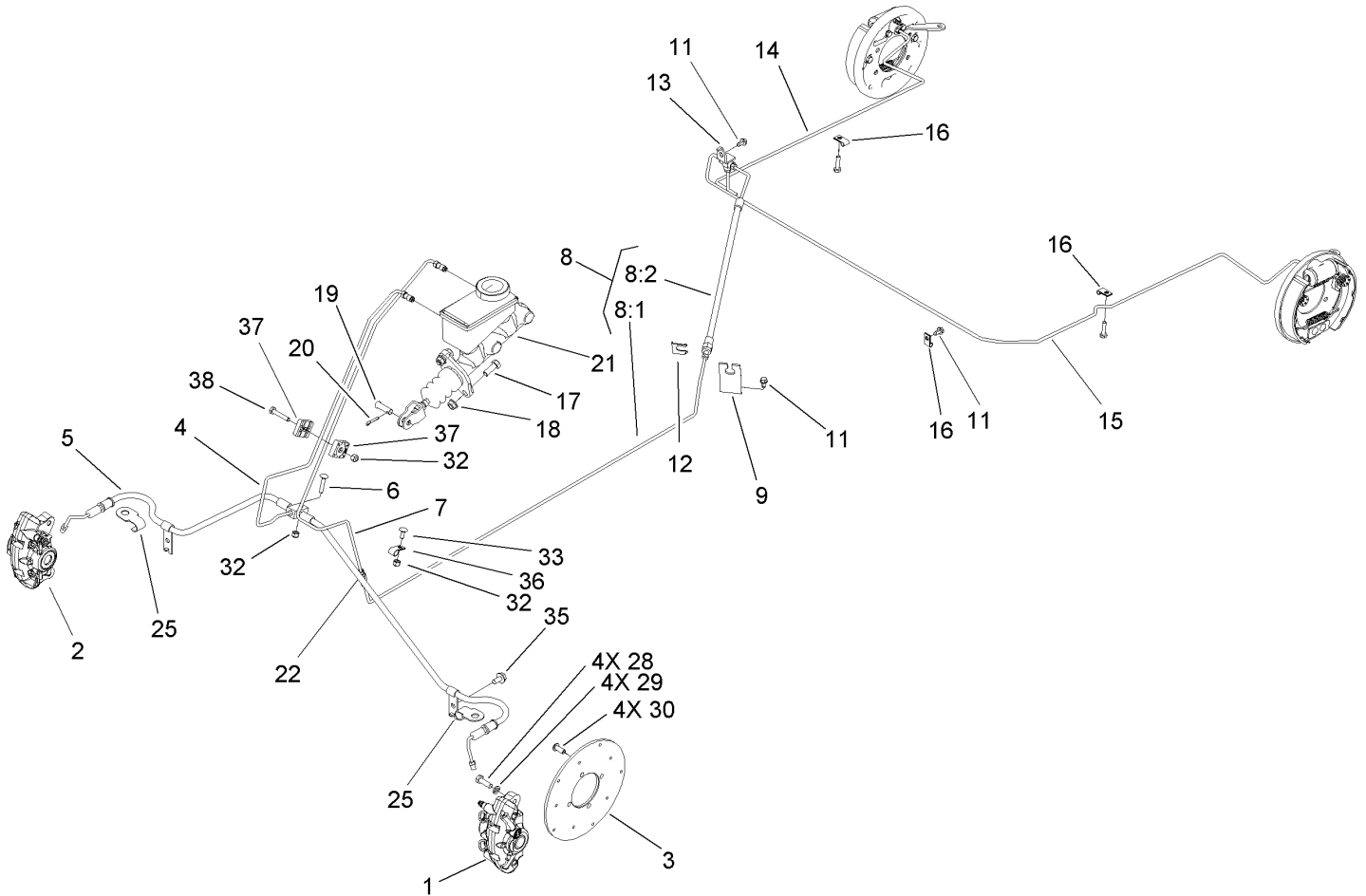
Ref	Part No.	Qty.	Description
1	94-2135	1	Gasket
2	32144-10	4	Screw-HWH
3	103118	1	Seal
4	99-7843	1	Sector-Gear
5	3256-42	1	Washer-Flat
6	251-82	2	Bearing-Ball
7	94-2218	1	Spacer-Shaft, Output
8	104-6563	1	Washer-Stepped
9	104-7156	1	Screw-HHF
10	38-7820	2	Bearing-Ball
11	94-2217	1	Spacer-Shaft, Input
12	1-613235	1	Washer
13	98-3498	1	Screw-HH
14	302-5	1	Fitting-Grease
15	99-7656-03	1	Cover-Housing, Steering
16	99-7658	1	Housing-Steering
18	99-7650	1	Gear-Pinion
19	99-7657	1	Seal-Oil
20	99-7601-03	1	Arm-Pitman

--	--	--	--



Box Assembly

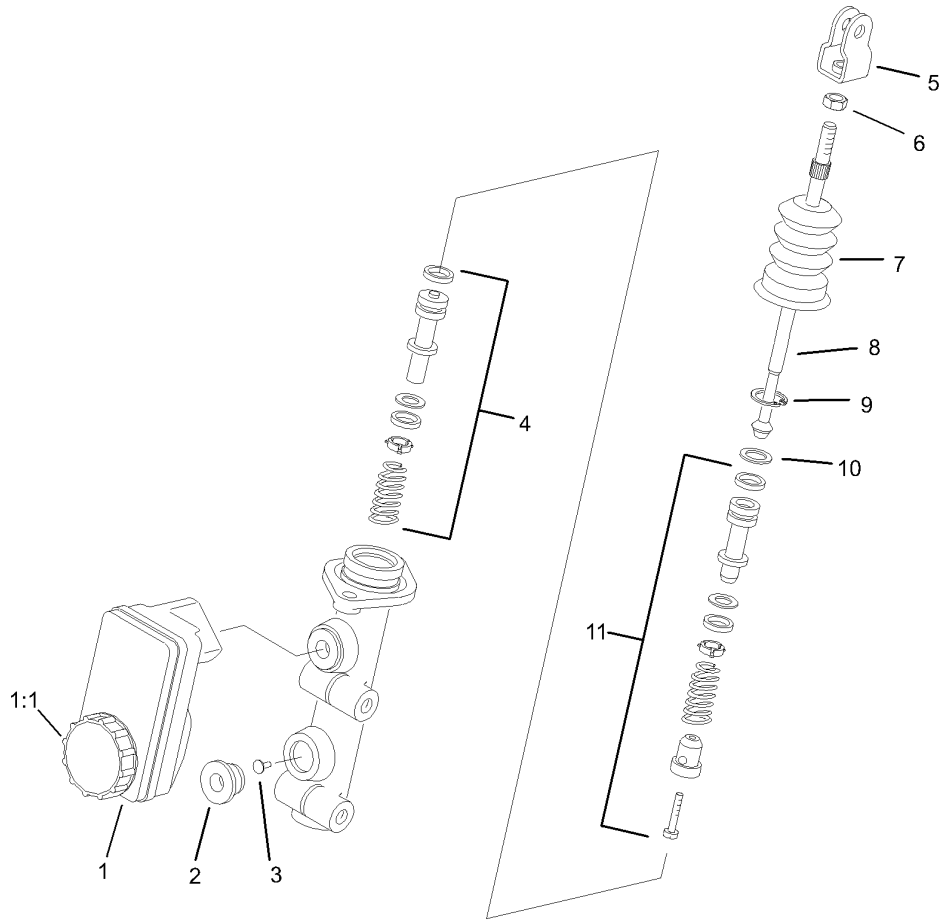
Ref	Part No.	Qty.	Description
1		1	Box And Tailgate ASM
2	99-7984	2	Knob-Soft Grip, Push-On
3	87-8460	2	Bumper-Rubber
6	104-7213	1	Decal
14	3234-5	18	Screw
15	99-7309-03	1	RH Pivot Bracket ASM
17	99-7308-03	1	LH Pivot Bracket ASM
18	3234-11	4	Screw-HHF
19	99-7864-03	3	Brace-Box
21	99-7870	1	Shield-Heat
24	99-7895	1	Rod-Prop
25	99-7894	1	Bracket-Rod, Prop
26	3256-26	1	Washer-Flat
27	32112-14	1	Nut-Push
28	3234-17	2	Screw-HHF
29	99-7896	1	Bracket-U, Prop Rod
30	99-7745	1	Rod-Latch
31	5-7290	1	Spring-Tension
32	32148-7	2	Insert-Nut
33	99-7744-03	1	Bracket-Latch
34	99-7742-03	1	Hook-Latch, RH
35	104-8300	1	Nut-Flange, NI
36	104-6859	1	Shield-Heat
40	104-7265	2	Decal



Hydraulic Brake Assembly

Ref	Part No.	Qty.	Description
1	107-0361	1	Caliper, LH
2	107-0362	1	Caliper, RH
3	104-6891	2	Rotor
4	104-6798	1	Tube-Front, Brake
5	104-7256	1	Hose Asm, Front
6	3229-3	1	Screw-CARR
7	104-6793	1	Tube-Brake, Rear
8		1	Complete Rear Brake Hose ASM
8:1	104-6794	1	Tube-Brake, Rear
8:2	104-6795	1	Hose-Brake, Rear
9	104-6799	1	Bracket-Hose, Brake
11	12-3270	3	Screw
12	104-7092	1	Clip
13	87-3560	1	Tee
14	104-6796	1	Tube-Brake Rear, RH
15	104-6797	1	Tube-Brake Rear, LH
16	2412-72	3	Clip-Closed, Insulated
17	323-6	2	Screw-HH
18	3290-357	2	Nut-HHF
19	283-2	1	Pin-Clevis
20	3272-10	1	Pin-Cotter
21	104-6782	1	Cylinder-Master
22	87-3570	1	Union
25	104-7073	2	Bracket-Hose

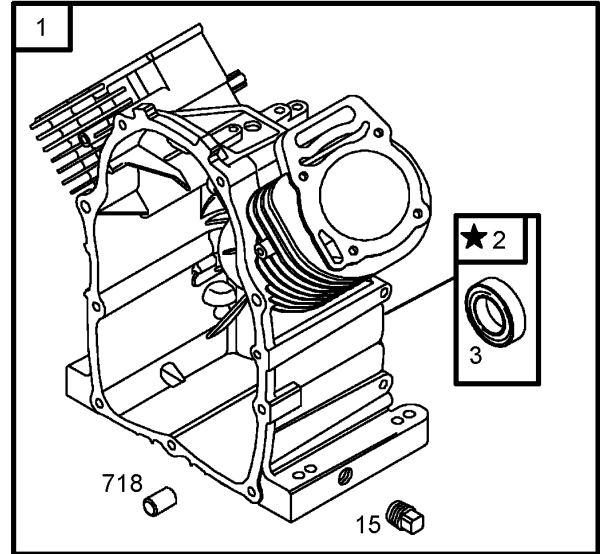
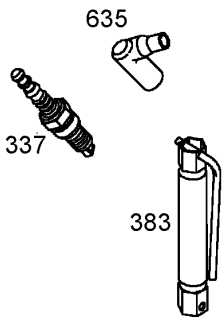
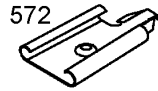
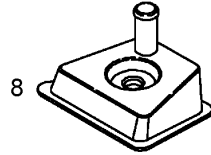
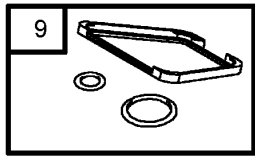
Ref	Part No.	Qty.	Description
28	323-6	4	Screw-HH
29	3253-21	4	Washer-Lock
30	3274-55	8	Screw-HSBH
32	3296-42	3	Nut-Lock, NI
33	3229-11	1	Screw-CARR
35	32144-14	2	Screw-HWH
36	2412-89	1	Clamp
37	87-7660	2	Clamp-Tube
38	321-9	1	Screw-HH



Master Cylinder Assembly No. 104-6782

Ref	Part No.	Qty.	Description
1	104-6845	1	Reservoir ASM
1:1	92-4112	1	Cap ASM
2	93-8971	2	Seal-Port, Flange
3	92-4103	1	Pin-Stop
4	92-4102	1	Secondary Piston ASM
5	92-4110	1	Clevis
6	21-0360	1	Nut-Hex
7	94-5209	1	Cover-Dust
8	94-5210	1	Rod-Push
9	92-4109	1	Circlip
10	92-4108	1	Retainer-Washer
11	92-4101	1	Primary Piston ASM

--	--	--	--



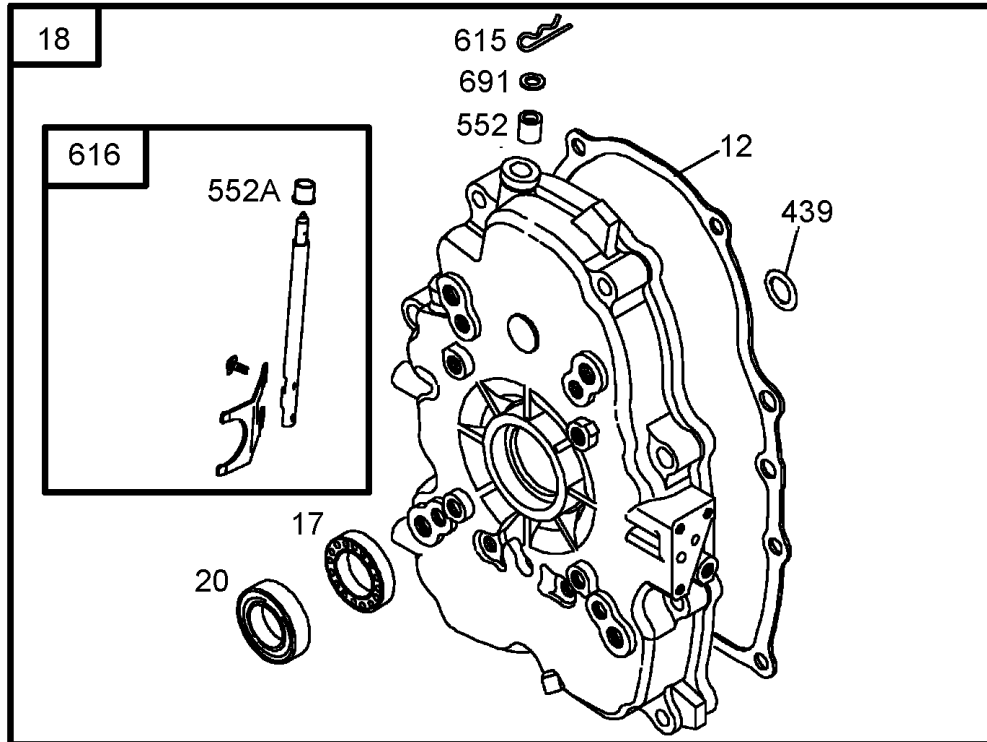
1019 LABEL KIT

Assemblies include all parts shown in frames.

Cylinder Assembly Briggs and Stratton 303440-1326-E1

Ref	Part No.	Qty.	Description
1	692178	1	Cylinder ASM
2	808534	1	Bushing/seal Kit
3	805101	1	Seal-oil
8	808984	1	Breather ASM
9	809094	1	Gasket-breather
10	690751	1	Screw
15	690946	1	Plug-drain, Oil
337	496018	1	Plug-spark
383	19374	1	Wrench-Spark Plug
572	690686	1	Baffle-breather
635	692076	1	Boot-Spark Plug
718	690684	1	Pin-locating
1019	808036	1	Label Kit

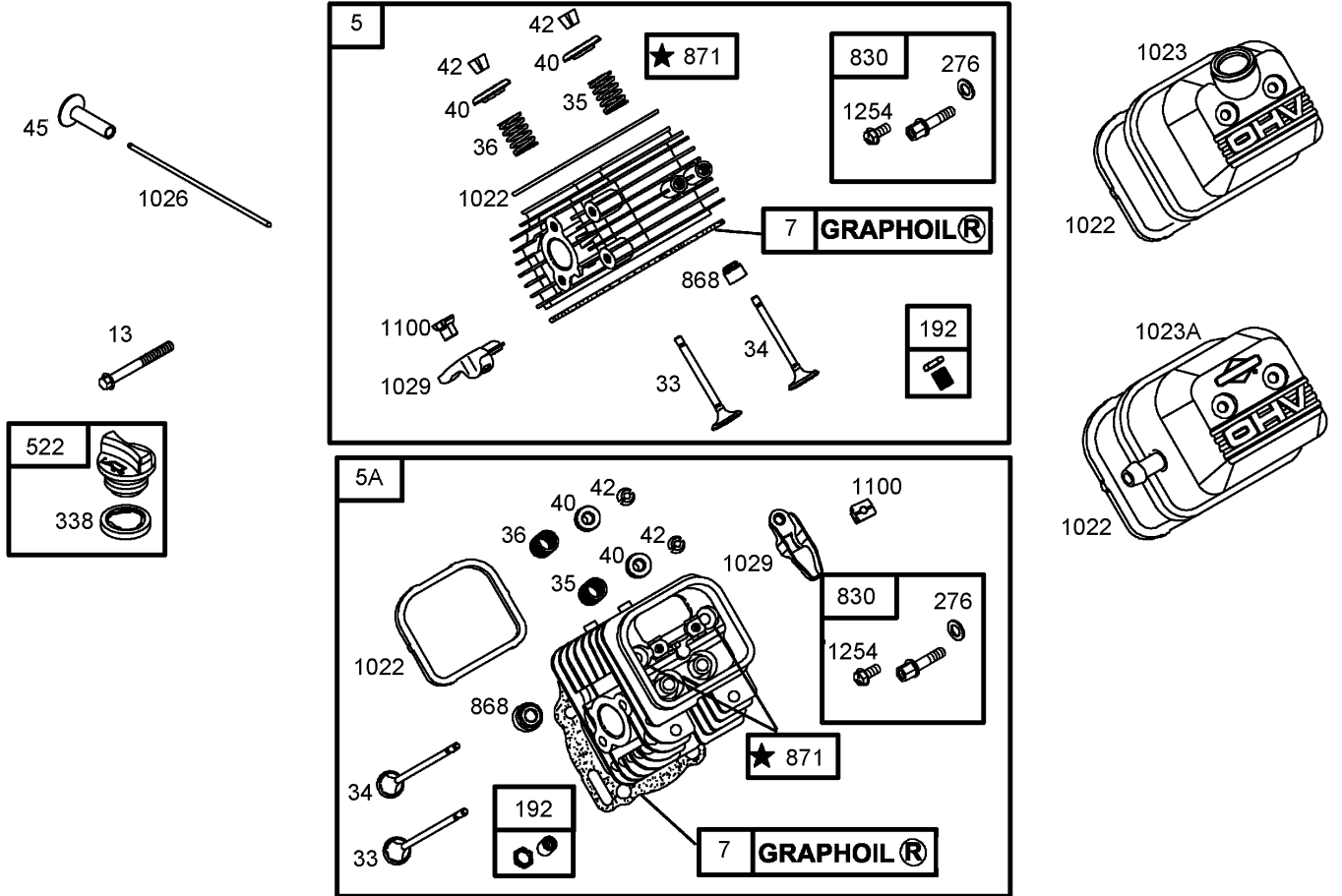
--	--	--	--



Assemblies include all parts shown in frames.

Crankcase Assembly Briggs and Stratton 303440-1326-E1

Ref	Part No.	Qty.	Description				
①②12	691684	1	Gasket-crankcase				
②17	690752	1	Bearing-ball				
②18	808847	1	Cover-crankcase				
①②20	805049	1	Seal-oil				
②22	692540	1	Screw				
①②276A	690704	1	Washer-sealing				
①②439	692154	1	Seal-o Ring				
②552	690701	1	Bushing-crank, Governor				
②552A	806686	1	Bushing-crank, Governor				
②615	691550	1	Retainer-shaft, Governor				
②616	806685	1	Crank-governor				
②691	690680	1	Seal-shaft, Governor				

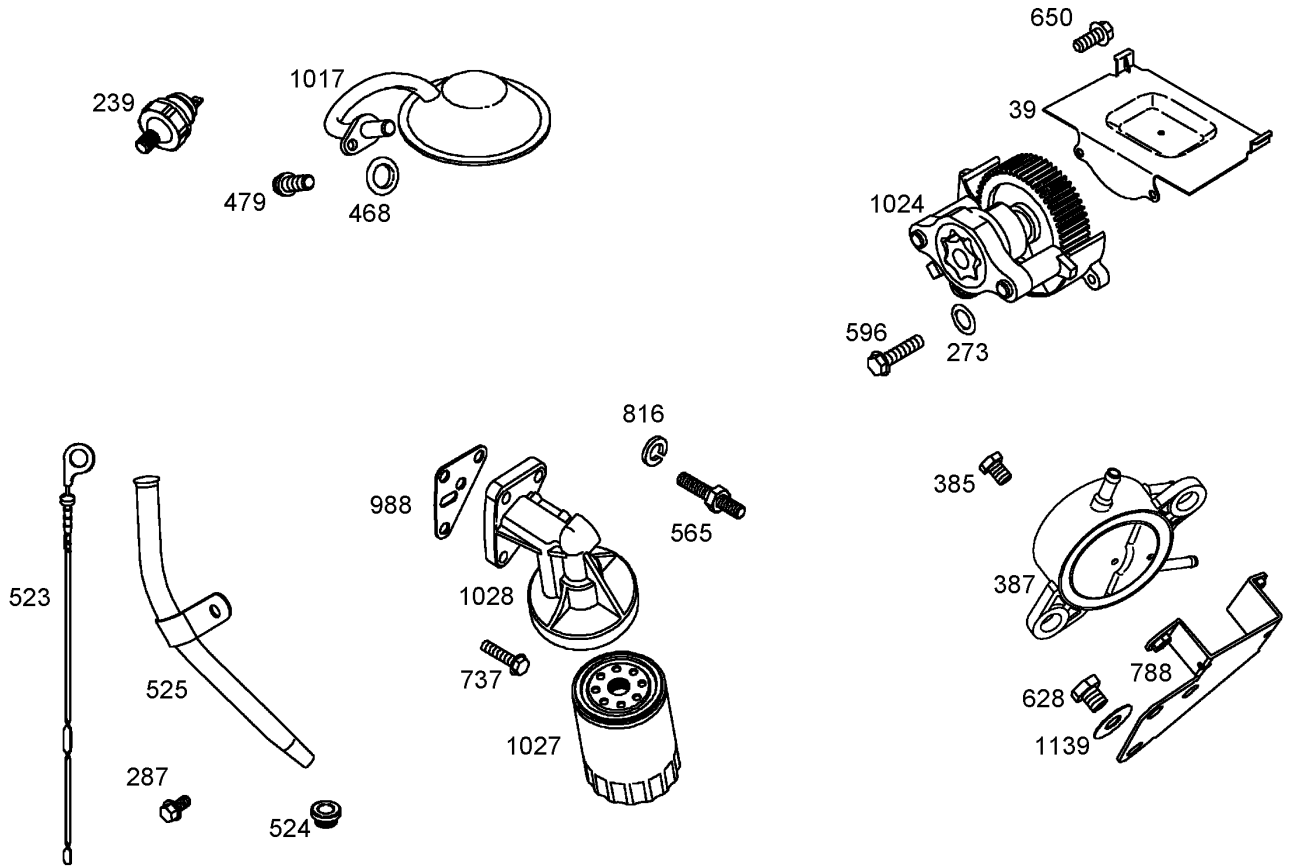


Assemblies include all parts shown in frames.

Cylinder Head Assembly Briggs and Stratton 303440-1326-E1

Ref	Part No.	Qty.	Description
5	809200	1	Head-cylinder (Cylinder 1)
5A	809201	1	Head-cylinder (Cylinder 2)
47	806085	1	Gasket-head, Cylinder
13	692059	1	Screw
33	807681	1	Valve-exhaust
34	807680	1	Valve-intake
35	692084	1	Spring-valve
36	692084	1	Spring-valve
40	692058	1	Retainer-valve
42	807683	1	Keeper-valve
45	690977	1	Valve Tappet
192	807623	1	Adjuster-arm, Rocker
276	807085	1	Washer-sealing
338	691312	1	Gasket-dipstick
522	491832	1	Plug-dipstick/fill
830	809157	1	Stud-arm, Rocker
868	691963	1	Seal-valve
871	692057	1	Bushing-guide, Valve
1022	806039	1	Gasket-cover, Rocker
1023	690758	1	Cover-valve
1023A	691558	1	Cover-valve

Ref	Part No.	Qty.	Description
1026	691836	1	Rod-push
1026	691758	1	Rod-push
1029	807323	1	Arm-rocker
1100	690973	1	Pivot-arm, Rocker
1254	807084	1	Screw

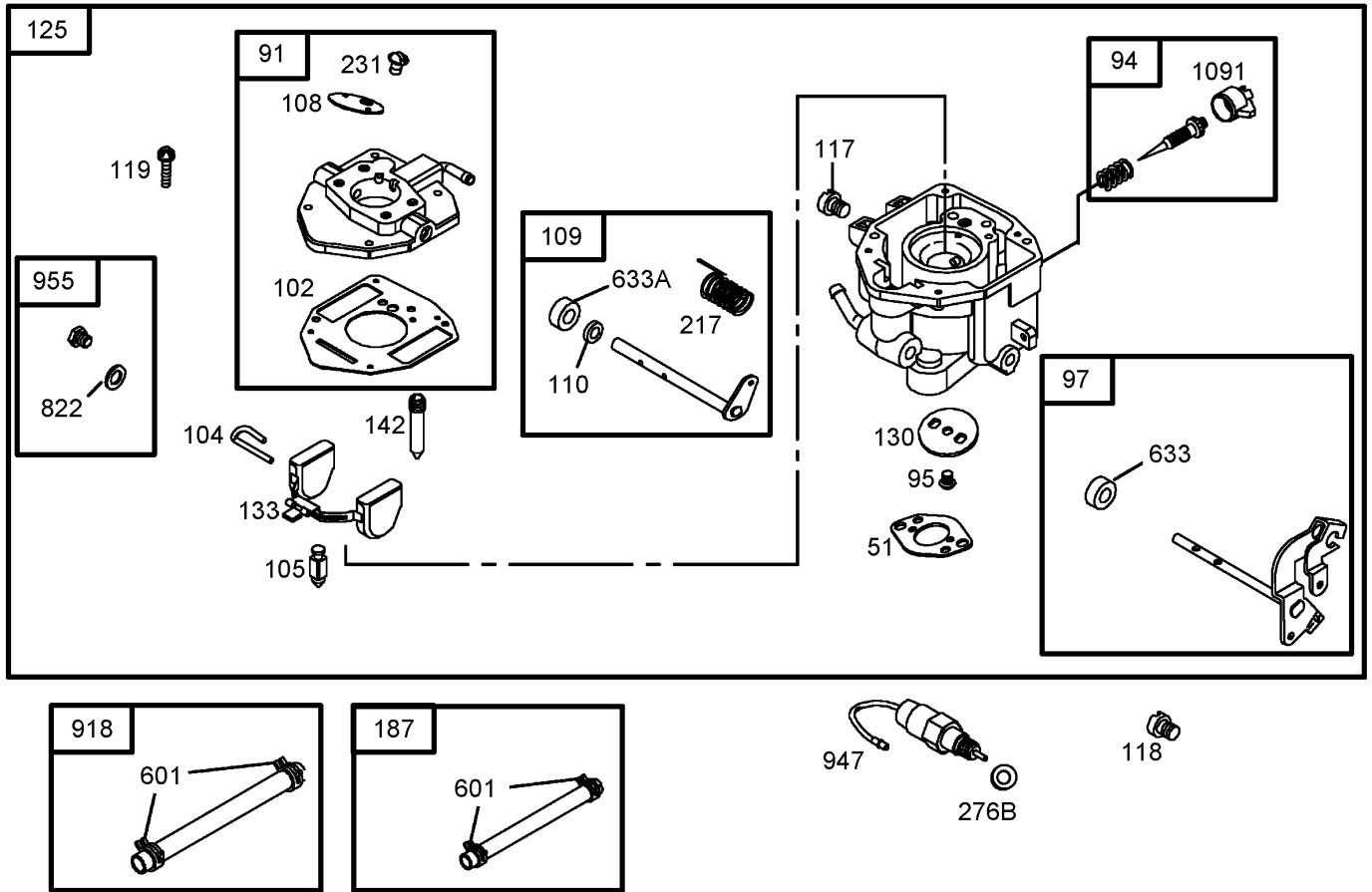


Assemblies include all parts shown in frames.

Oil Filter, Tube and Pump Assembly Briggs and Stratton 303440-1326-E1

Ref	Part No.	Qty.	Description
39	690745	1	Deflector-oil
239	690233	1	Switch-pressure, Oil
273	690681	1	Seal-o Ring
287	692062	1	Screw
385	807084	1	Screw
387	808656	1	Pump-fuel
468	690690	1	Seal-o Ring
479	692537	1	Screw
523	693175	1	Dipstick
524	693172	1	Seal-tube, Dipstick
525	693173	1	Tube-dipstick
565	690682	1	Stud
596	691492	1	Screw
628	806660	1	Screw (Fuel Pump Bracket)
650	692539	1	Screw
737	690679	1	Screw
788	691559	1	Bracket-pump, Fuel
816	690706	1	Washer
988	692063	1	Gasket-adapter, Oil Filter
1017	690900	1	Screen-pump, Oil
1024	693185	1	Pump-oil
1027	492932	1	Filter-oil
1028	808235	1	Adapter-filter, Oil
1139	806497	1	Washer

--	--	--	--



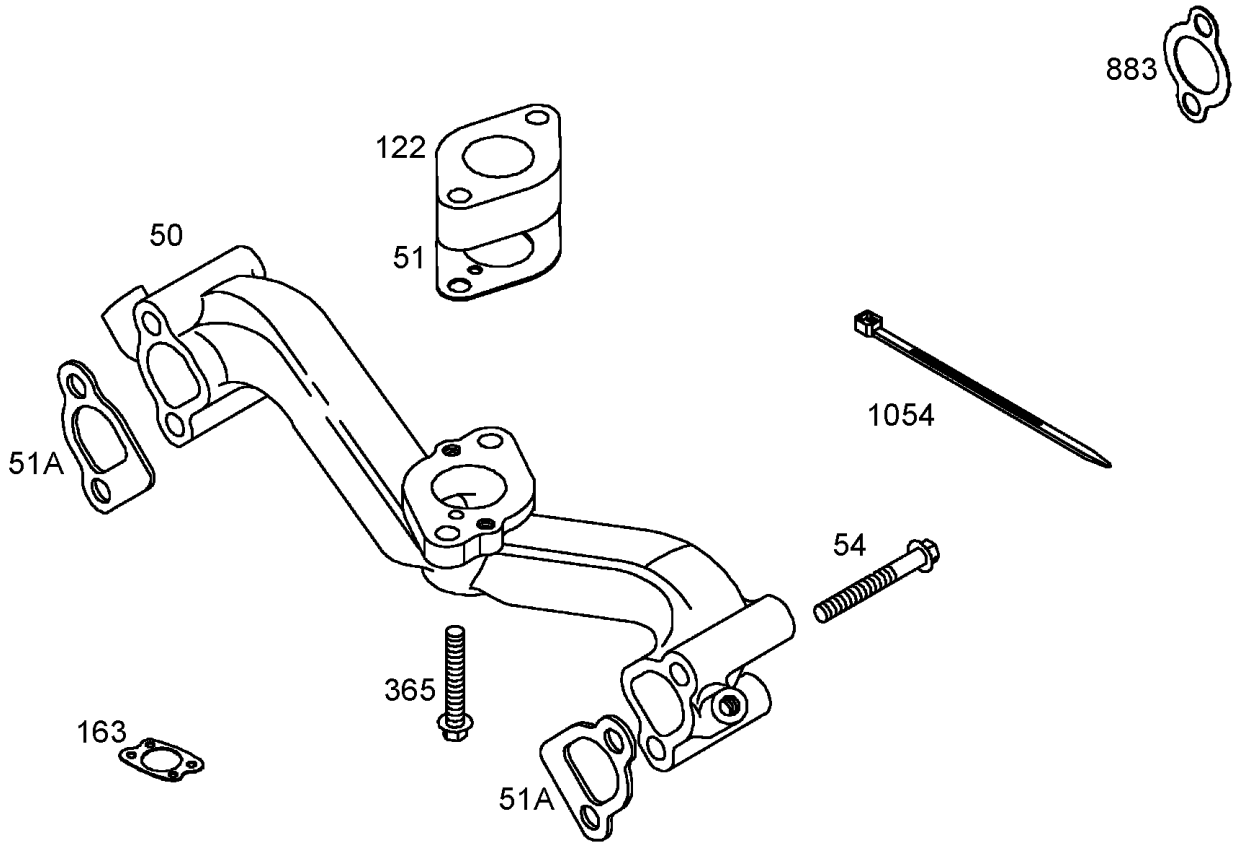
Assemblies include all parts shown in frames.

Carburetor Assembly

Briggs and Stratton 303440-1326-E1

Ref	Part No.	Qty.	Description
⑤⑤51	691694	1	Gasket-Intake
⑥			
⑥91	808964	1	Body-carburetor, Upper
⑤⑥94	808257	1	Idle Mixture Kit
⑥95	690718	1	Screw
⑥97	841498	1	Shaft-throttle
⑤⑥102	692077	1	Gasket-body, Carburetor
⑤⑥104	690723	1	Pin-hinge, Float
⑤⑥105	692078	1	Valve-needle, Float
⑥108	690719	1	Valve-choke
⑥109	808962	1	Shaft-choke
⑥110	806861	1	Washer (Choke Shaft)
⑥117	806859	1	Jet-main
⑥118	807115	1	Jet-main (High Altitude)
⑥119	690720	1	Screw
⑥125	841494	1	Carburetor
⑥130	690726	1	Valve-throttle
⑥133	806961	1	Float-carburetor
⑥142	806860	1	Nozzle-carburetor
⑥187	691050	1	Line-fuel Cut To Required Length
⑥217	806862	1	Spring-return, Choke
⑥231	690718	1	Screw
⑥276B	806137	1	Washer-sealing
⑥601	691038	1	Clamp-hose

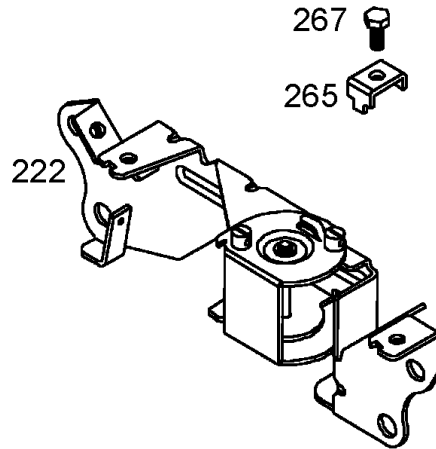
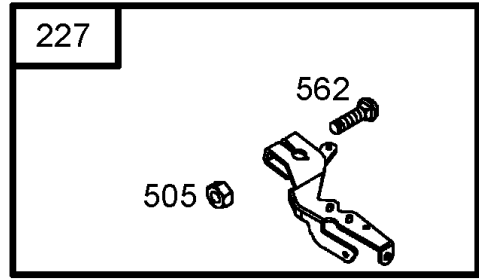
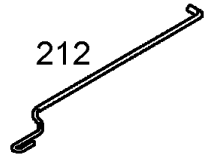
Ref	Part No.	Qty.	Description
⑤⑥633	806131	1	Seal-shaft, Choke/throttle
⑤⑥633A	690722	1	Seal-shaft, Choke/throttle
⑤⑥822	690724	1	Seal-o Ring
⑥918	393815	1	Line-vacuum
⑥947	692094	1	Solenoid-fuel
⑥955	807723	1	Plug-carburetor
⑤⑥1091	691516	1	Cap-limiter



Assemblies include all parts shown in frames.

Intake Manifold Assembly Briggs and Stratton 303440-1326-E1

Ref	Part No.	Qty.	Description				
50	690754	1	Manifold-intake				
51	691694	1	Gasket-Intake				
51A	692035	1	Gasket-intake				
54	690676	1	Screw				
122	690691	1	Spacer-carburetor				
163	692081	1	Gasket-cleaner, Air				
365	690711	1	Screw				
883	691613	1	Gasket-exhaust				
1054	280275	1	Tie-cable				

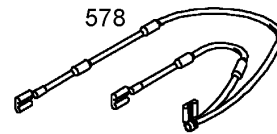
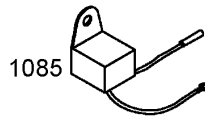
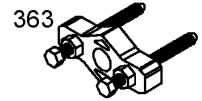
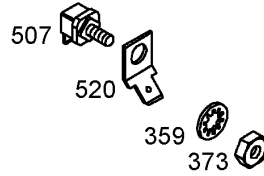
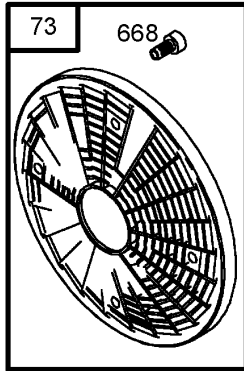
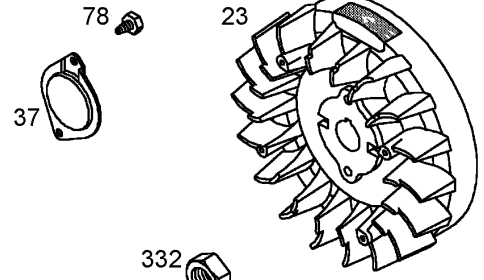
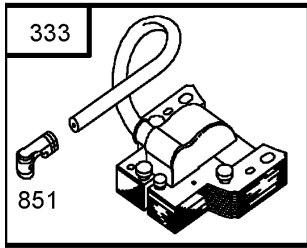


Assemblies include all parts shown in frames.

Governor Assembly Briggs and Stratton 303440-1326-E1

Ref	Part No.	Qty.	Description
209	691507	1	Spring-governor
212	690712	1	Link-throttle
222	691570	1	Bracket-control
227	690236	1	Lever-control, Governor
232	692073	1	Spring-link, Governor
265	691024	1	Clamp-casing
267	692083	1	Screw
505	690238	1	Nut
562	690239	1	Bolt

--	--	--	--

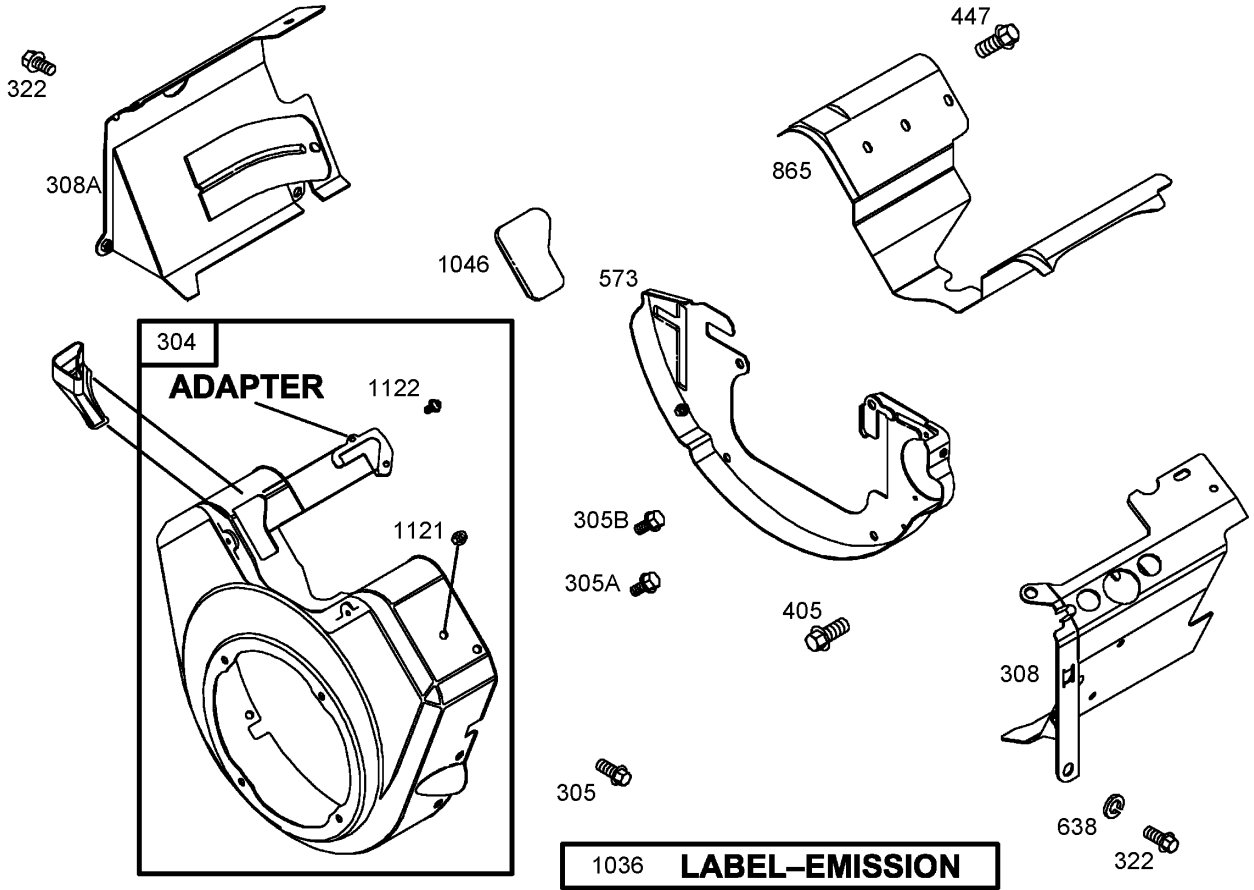


Assemblies include all parts shown in frames.

Flywheel Assembly Briggs and Stratton 303440-1326-E1

Ref	Part No.	Qty.	Description
23	690889	1	Flywheel
37	841309	1	Guard-flywheel
73	494439	1	Screen-rotating
74	691647	1	Screw
78	690688	1	Screw
332	690887	1	Nut
333	492341	1	Armature-magneto
334	692066	1	Screw
359	691077	1	Washer
363	19203	1	Puller-flywheel
373	691612	1	Nut
507	691972	1	Insulator
520	691084	1	Terminal-ground
529	690744	1	Grommet
578	692319	1	Wire ASM
668	691500	1	Spacer
729	690586	1	Clip-wire
851	493880	1	Terminal-spark Plug
1085	809093	1	Module-ignition
1231	692067	1	Screw

--	--	--	--

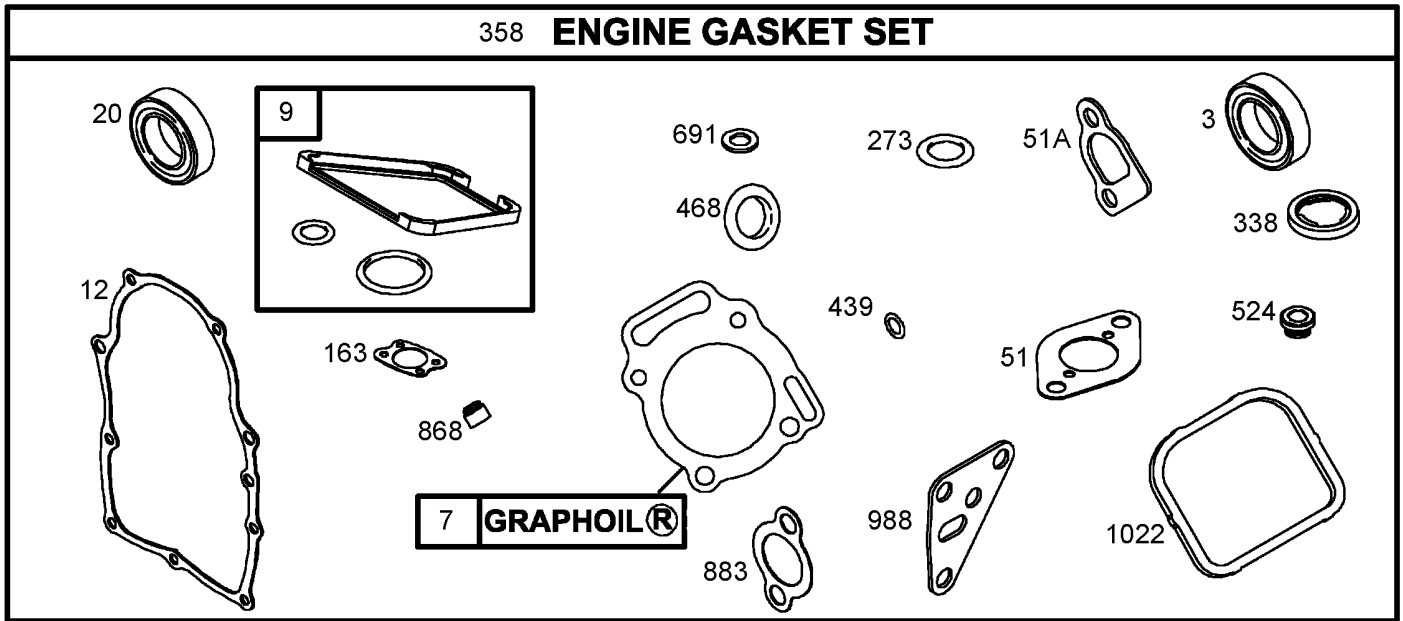


Assemblies include all parts shown in frames.

Blower Housing Assembly Briggs and Stratton 303440-1326-E1

Ref	Part No.	Qty.	Description
③304	808408	1	Housing—blower
③305	692539	1	Screw
③305A	692056	1	Screw
③305B	692062	1	Screw
③308	841232	1	Cover—head, Cylinder (Cylinder 1)
③308A	841182	1	Cover—head, Cylinder (Cylinder 2)
③322	692539	1	Screw
③405	807163	1	Screw
③447	692539	1	Screw
③573	690902	1	Plate—back
③638	691551	1	Washer
③865	690750	1	Cover—guide, Air
③1036	806881	1	Label—emission
③1046	692082	1	Plug—housing, Blower
③1121	810056	1	Nut (Air Cleaner)
③1122	93410	1	Screw (Control Wire Casing)

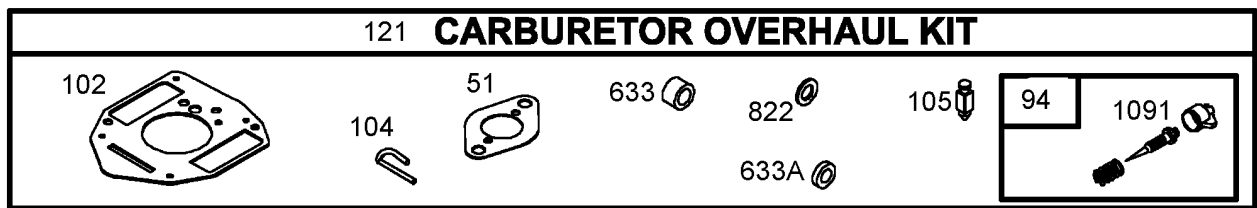
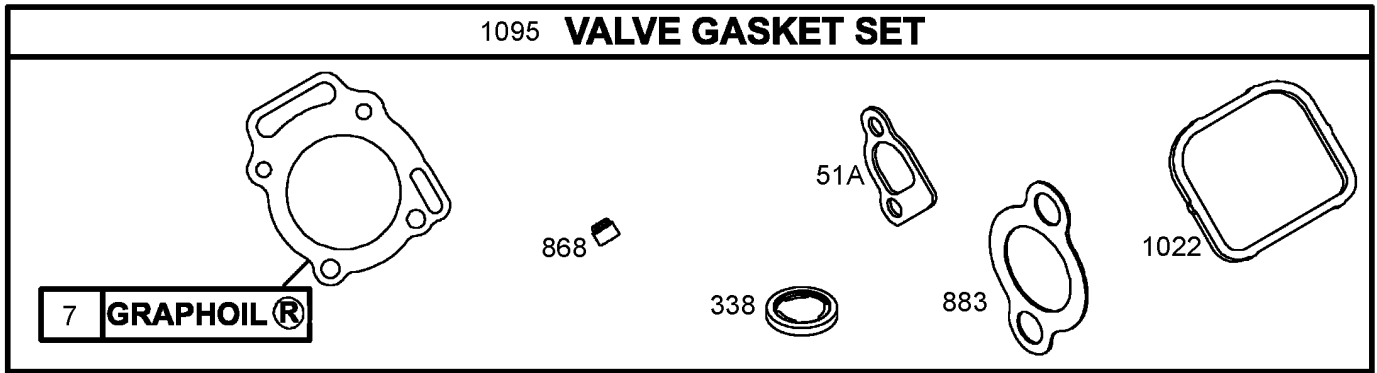
--	--	--	--



Assemblies include all parts shown in frames.

Gasket Assembly Briggs and Stratton 303440-1326-E1

Ref	Part No.	Qty.	Description
③⑥3	805101	1	Seal-oil
③④7 ⑥	806085	1	Gasket-head, Cylinder
③⑥9	809094	1	Gasket-breather
③⑥12	691684	1	Gasket-crankcase
③⑥20	805049	1	Seal-oil
③⑤51 ⑥	691694	1	Gasket-Intake
③④51A ⑥	692035	1	Gasket-intake
③⑥163	692081	1	Gasket-cleaner, Air
③⑥273	690681	1	Seal-o Ring
③④338 ⑥	691312	1	Gasket-dipstick
③358	808390	1	Engine Gasket Set
③⑥439	692154	1	Seal-o Ring
③⑥468	690690	1	Seal-o Ring
③⑥524	693172	1	Seal-tube, Dipstick
③⑥691	690680	1	Seal-shaft, Governor
③④868 ⑥	691963	1	Seal-valve
③④883 ⑥	691613	1	Gasket-exhaust
③⑥988	692063	1	Gasket-adapter, Oil Filter
③④1022 ⑥	806039	1	Gasket-cover, Rocker



Assemblies include all parts shown in frames.

Carburetor Overhaul Kit Assembly Briggs and Stratton 303440-1326-E1

Ref	Part No.	Qty.	Description
④⑦ ⑥	806085	1	Gasket-head, Cylinder
④⑤① ⑥	691694	1	Gasket-Intake
④④⑤①A ⑥	692035	1	Gasket-intake
⑤⑥⑨④	808257	1	Idle Mixture Kit
⑤⑥①②	692077	1	Gasket-body, Carburetor
⑥①④	690723	1	Pin-hinge, Float
⑤⑥①⑤	692078	1	Valve-needle, Float
⑥①②	809023	1	Carburetor Overhaul Kit
④④③③⑧ ⑥	691312	1	Gasket-dipstick
⑤⑥⑥③③	806131	1	Seal-shaft, Choke/throttle
⑤⑥⑥③③A	690722	1	Seal-shaft, Choke/throttle
⑤⑥⑧②②	690724	1	Seal-o Ring
④④⑧⑥⑧ ⑥	691963	1	Seal-valve
④④⑧⑧③ ⑥	691613	1	Gasket-exhaust
④④①②② ⑥	806039	1	Gasket-cover, Rocker
⑤⑥①⑤①	691516	1	Cap-limiter
⑥①②⑤	808392	1	Valve Gasket Set

NOTES

NOTES

NOTES

