



Reelmaster[®] 4000-D 4 Wheel Drive

Model No. 03707 - 240000116 and up.

Parts Catalog

Ordering Replacement Parts

To order replacement parts, please supply the part number, the quantity, and the description of each part desired.

Understanding Reference Numbers

Each Identified part in an illustration has a reference number. The reference number for a part also appears in the parts list, along with other information about the part.

This catalog uses two special reference number formats, one to indicate parts in a service assembly and another to indicate the quantity of a given part in an illustration.

Service Assembly Reference Numbers

Parts in service assemblies have reference numbers in the form a:b. The a represents the reference number of the entire service assembly and the b represents a sequential number unique to each part within the service assembly.

For example, a wheel assembly might be identified by reference number 6, the tire by 6:1, the valve by 6:2, and the wheel by 6:3. When you order the assembly identified by reference number 6, you receive all parts identified by reference numbers 6:1, 6:2, and 6:3. However, you may also order any part individually. Reference numbers of this type appear in illustrations and in part lists.

Reference Numbers Indicating Quantity

In an illustration, if a reference number indicates more than one part, the reference number has the form nX y. The n represents the quantity of the part, the X is the multiplication symbol, and the y represents the reference number.

For example, in an illustration, the reference number 2X 37 means that two of the parts identified by reference number 37 are indicated.

Contents

Description	Page	Description	Page
Foot Rest and Traction Pedal Assembly 4	Variable Piston Pump Assembly No. 99-6494 50
Floor Plate Assembly 6	Pump Assembly No. 86-6000-01 52
Steering Tower Assembly 7	Hydraulic Circuit - Steering and Traction Assembly 53
Steering Control Assembly No. 92-9220 8	Hydraulic Circuit - Lift Arm Assembly 54
Steering Tower Electrical Assembly 9	Hydraulic Circuit - Cutting Unit Assembly 55
Fender and Center Console Assembly 10	4 Wheel Drive Hydraulic Plumbing Assembly 56
Instrument Panel Assembly 11	Hydraulic Manifold Assembly No. 92-2982 57
Parking Brake, Throttle and Oil Filter Assembly 12	Electrical System Diagram 58
Valve Control Assembly 14	Roll Over Protection System Assembly 59
Valve Motor Spool Assembly No. 63-4800 16	Crankcase Assembly 60
Control Valve Assembly No. 93-1432 17	Oil Pan Assembly 61
Priority Flow Control Valve Assembly No. 58-5490 18	Cylinder Head Assembly 62
Seat Platform and Filler Cap Assembly 19	Gear Case Assembly 63
Suspension Seat Assembly No. 106-9988 20	Valve Cover Assembly 64
Front and Rear Canopy Assembly 21	Main Bearing Case Assembly 65
Radiator, Oil Cooler and Air Cleaner Assembly 23	Camshaft Assembly 66
Air Filter Assembly No. 100-2597 25	Piston and Crankshaft Assembly 67
Fuel Filter Assembly No. 104-5218 26	Flywheel Assembly 68
Fuel Tank and Lower Body Assembly 27	Fuel Camshaft Assembly 69
Frame and Muffler Assembly 29	Engine Stop Lever Assembly 70
Front Carrier Assembly 30	Injection Pump Assembly 71
Front Reel Shut-Off Assembly 31	Injection Pump Assembly No. 98-7606 72
Reel Shut-Off Valve Assembly No. 58-5460 32	Governor Assembly 73
Front Lift Arm and A-Frame Assembly 33	Speed Control Plate Assembly 74
Reel Motor Assembly No. 93-1412 34	Nozzle Holder and Glow Plug Assembly 75
Hydraulic Cylinder Assembly No. 104-5225 35	Nozzle Holder Assembly No. 98-7688 76
Rear Lift Arm and Shut-Off Assembly 36	Sealing Cap Assembly 78
Front Wheel and Motor Assembly 38	Alternator and Pulley Assembly 79
Wheel Motor Assembly No. 58-5430 39	Alternator Assembly No. 98-7693 80
Drive Gear Assembly No. 108-1434-03 40	Starter Assembly 81
Rear Axle Assembly 41	Starter Assembly No. 98-7734 82
Tie Rod Assembly No. 82-9260-03 43	Oil Switch and Plug Assembly 83
Hydraulic Motor Assembly 44	Water Flange and Thermostat Assembly 84
Hydraulic Cylinder Assembly 45	Water Pump Assembly 85
Engine Installation Assembly 46	Valve and Rocker Assembly 86
Engine Attachment Assembly 47	Inlet Manifold Assembly 87
Hydraulic Pump Assembly 48	Exhaust Manifold Assembly 88
Gear Pump Assembly No. 99-6495 49	Special Tools 89

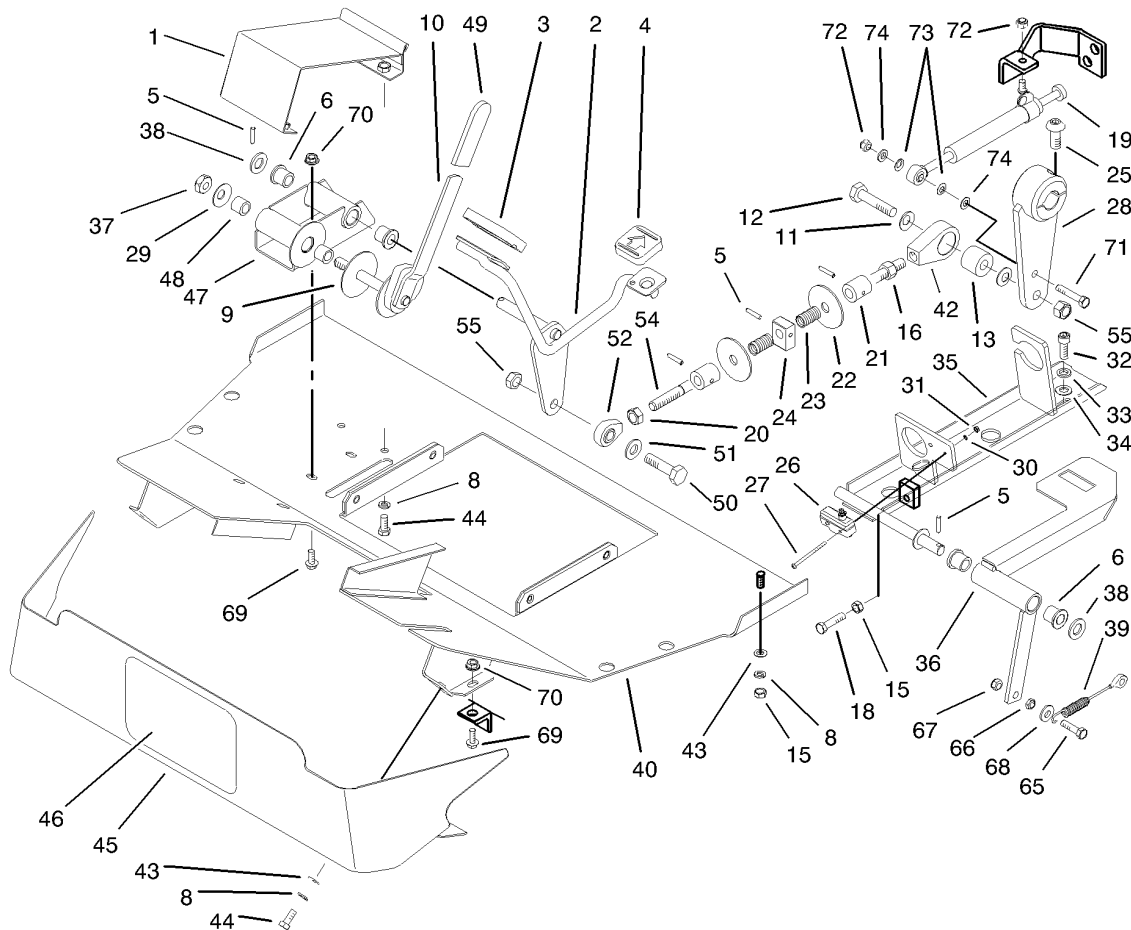
Part Description Abbreviations

Part descriptions in this catalog may include the following abbreviations.

AR.	as required	HYD.	hydraulic
ASM.	assembly	INC.	incorporated
CARR.	carriage	LH.	left hand
DEG.	degrees	NI.	nylon insert
FH.	flat head	PPH.	phillips pan head
GA.	gauge	PTH.	phillips truss head
HF.	hex flange	PTO.	power take off
HH.	hex head	RH.	right hand
HHF.	hex head flange	SFH.	slotted fillister head
HHFTF.	hex head flange thread forming	SHH.	slotted hex head
HJ.	hex jam	SHWH.	slotted hex washer head
HLH.	hex lag head	SPH.	slotted pan head
HOC.	height-of-cut	SQH.	square head
HS.	hex	SRH.	slotted round head
HSBH.	hex socket button head	STD.	standard
HSFH.	hex socket flat head	TAP.	self tapping
HSH.	hex socket head	TTH.	torx truss head
HWH.	hex washer head	WH.	wing head
HWHTF.	hex washer head thread forming		

Footnotes

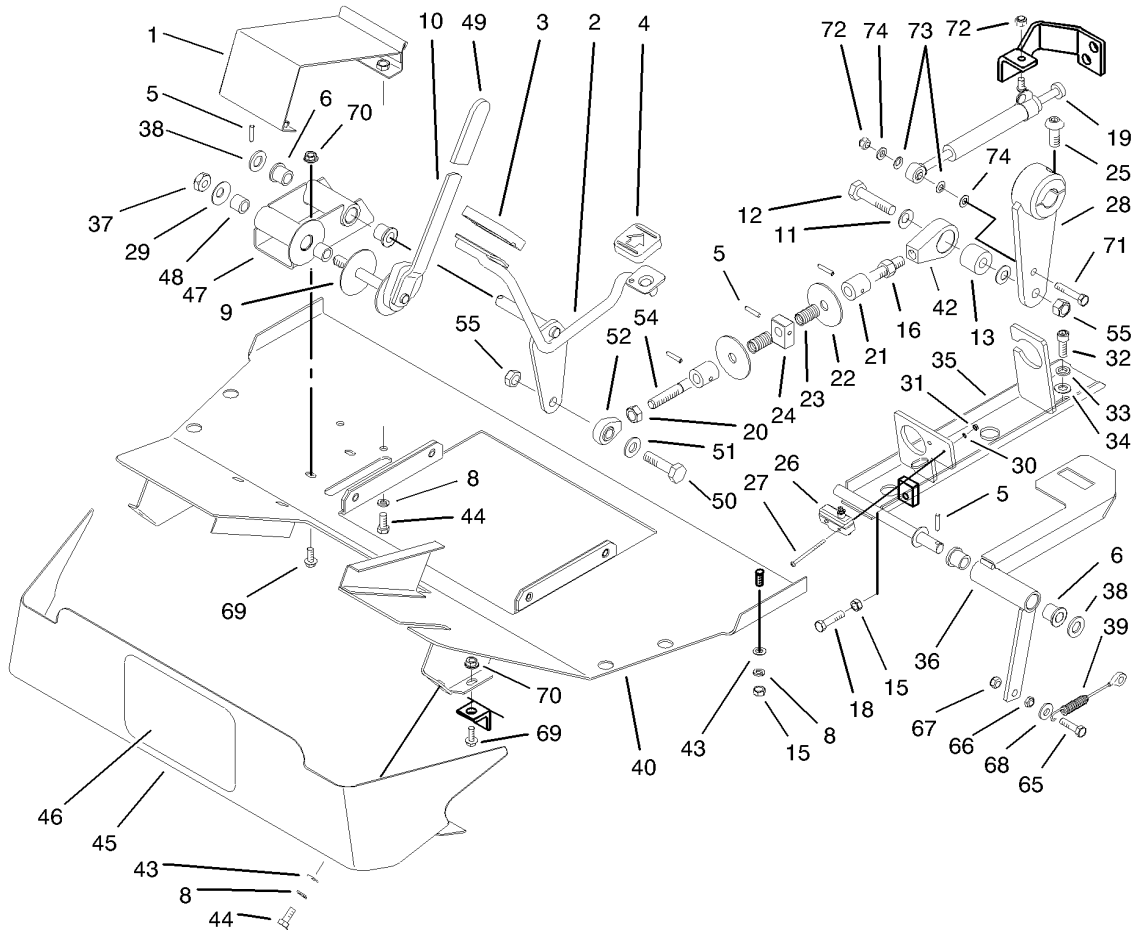
- ❶ Not illustrated
- ❷ Not serviced separately
- ❸ Obtain these items directly from SPX/OTC Service Solutions
655 Eisenhower Drive
Owatonna, MN 55060
800-533-6127
International Sales: 507-455-7223
www.otctools.com



Foot Rest and Traction Pedal Assembly

Ref	Part No.	Qty.	Description
1	58-9580-03	1	Rest-Foot
2	60-0640-01	1	Pedal-Traction
3	74-9100	1	Pad-Pedal, Forward
4	74-9110	1	Pad-Pedal, Reverse
5	60-2110	5	Pin
6	48-6790	4	Bearing
8	42-9850	10	Washer-Lock, Spring
9	3-2858	1	Disc-Friction
10	60-1130	1	Lever-Gsc
11	3290-483	3	Washer-Conical
12	325-9	1	Screw-HH
13	47-7030	1	Bushing-Rubber
15	33014-00	5	Nut-Hex
16	3217-9	1	Nut-Hex
18	48-7740	2	Screw
19	48-7100	1	Damper-Steering
20	3219-5	1	Nut-Hex
21	58-4310	2	Collar-Pinned
22	58-5100	2	Washer-Traction
23	60-5700	2	Spring
24	58-9010	1	Tab-Clamp
25	3274-89	1	Screw-HSH
26	29-6163	1	Switch-Micro
27	3249-11	2	Screw-Machine

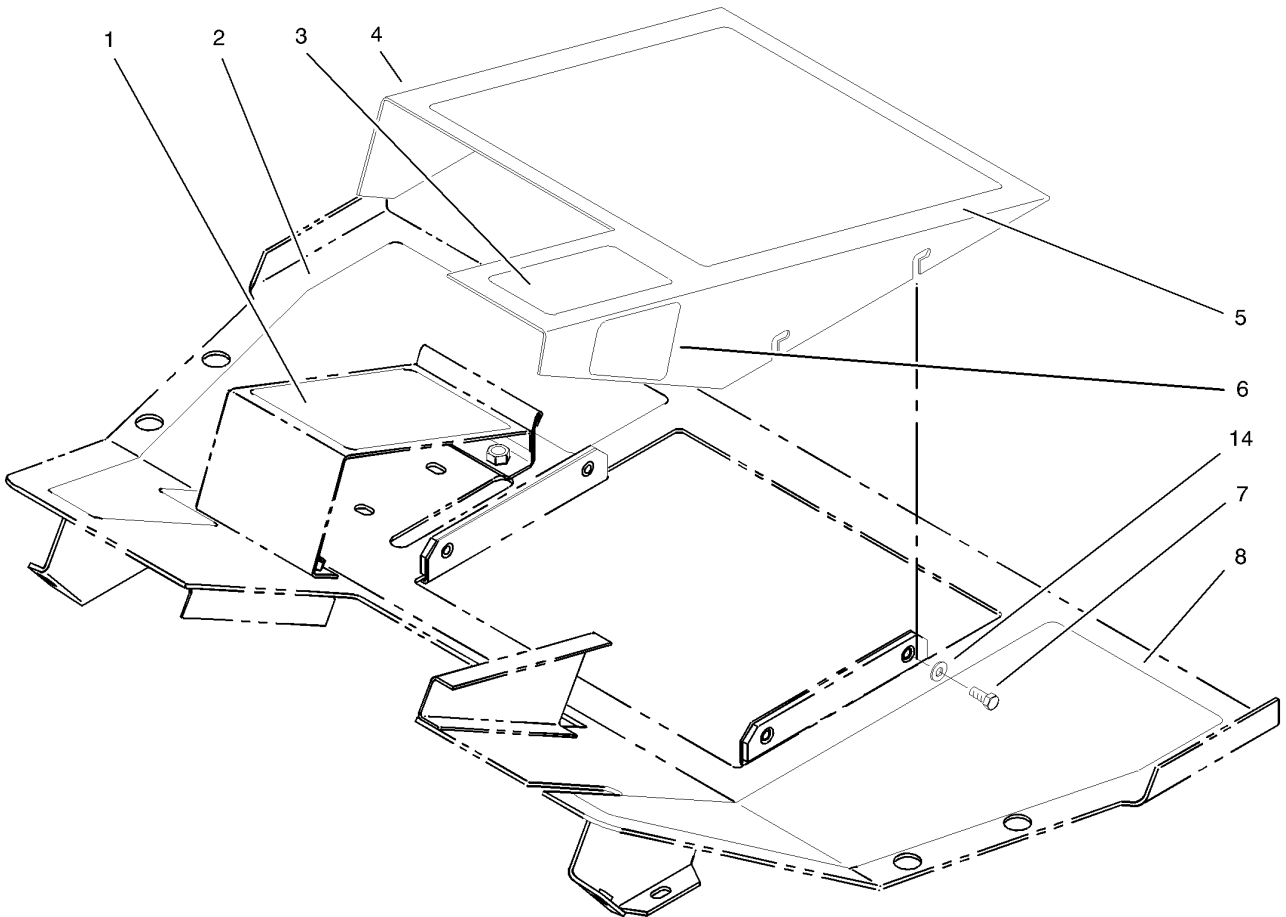
Ref	Part No.	Qty.	Description
28	98-1209-03	1	Lever-Pump
29	60-6990	1	Washer
30	3255-24	2	Washer-Lock/ext
31	3217-29	2	Nut-Hex
32	3274-7	2	Screw-HSH
33	3253-5	2	Washer-Lock
34	3256-24	2	Washer-Flat
35	60-0730-01	1	Bracket-Lock, Neutral
36	92-9228-03	1	Lever ASM
37	3296-19	1	Nut-Lock NI
38	60-6740	3	Washer
39	92-9221	1	Cable ASM
40	92-4730-03	1	Plate-Floor
42	60-0760	1	Clevis-Rod, Traction
43	33094-00	8	Washer-Flat
44	33114-020	7	Screw-HH
45	58-0400-01	1	Shroud
46	62-7400	1	Decal
47	60-0600-03	1	Bracket-Pivot
48	60-1110	2	Bushing
49	3-7877	1	Grip-Handle
50	325-7	1	Screw-HH
51	3256-26	1	Washer-Flat
52	2411-44	1	End-Rod



Foot Rest and Traction Pedal Assembly (continued)

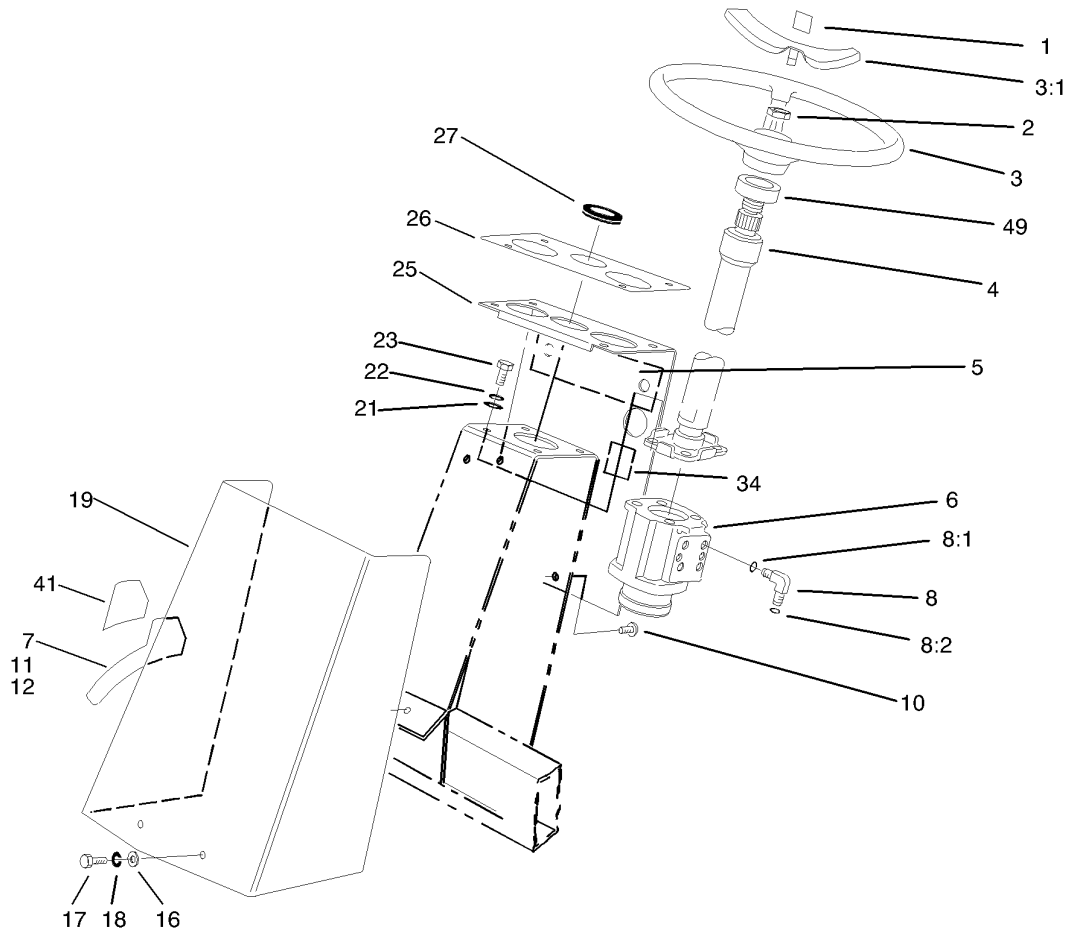
Ref	Part No.	Qty.	Description
54	76-3430	1	Rod-Traction
55	3296-25	2	Nut-Lock, NI
65	322-6	1	Screw-HH
66	3218-2	1	Nut-Jam
67	3296-29	1	Nut-Lock, NI
68	3256-3	1	Washer-Flat
69	3234-5	4	Screw
70	32128-20	4	Nut-HF
71	33114-045	1	Screw-HH
72	33024-00	2	Nut-Lock
73	3290-482	2	Washer-Belleville
74	33094-00	2	Washer-Flat

--	--	--	--



Floor Plate Assembly

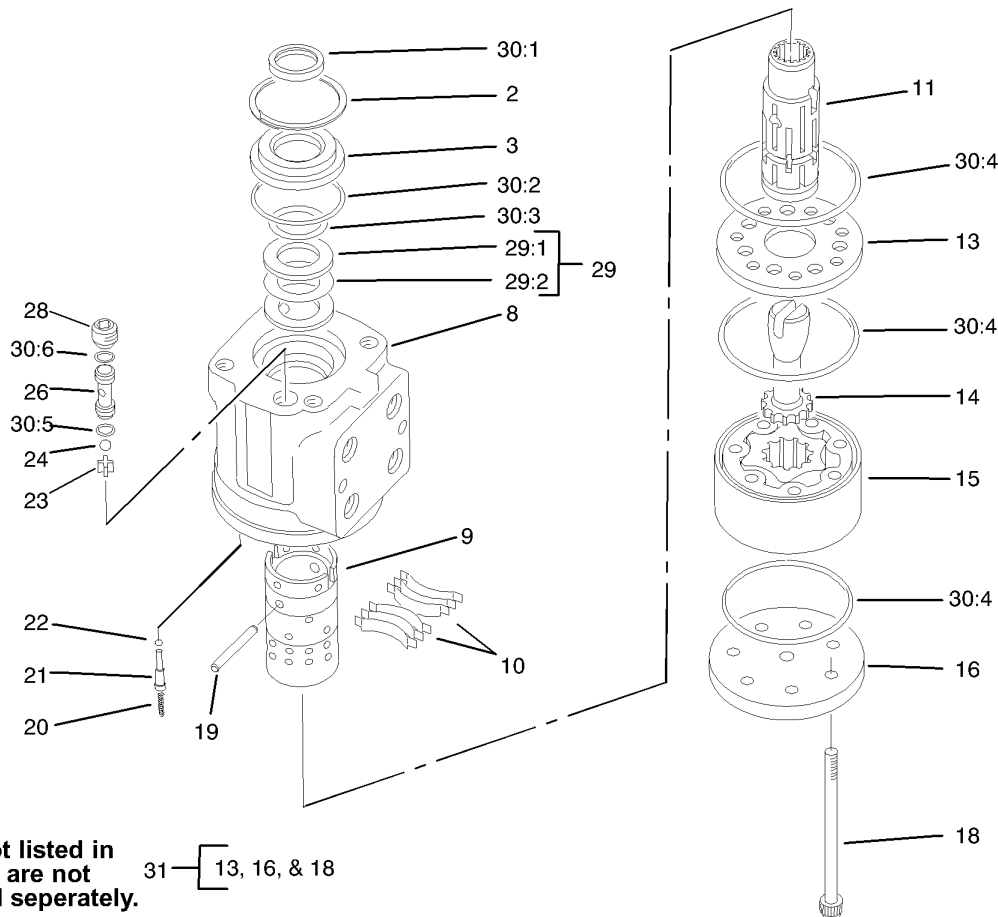
Ref	Part No.	Qty.	Description
1	59-7280	1	Pad-Pedal, Traction
2	58-6510	1	Pad-Footrest, RH
3	62-6440	1	Pad-Foot
4	58-7390-03	1	Footrest
5	58-6630	1	Pad-Floor, Center
6	93-9409	1	Decal-Latch
7	33113-016	3	Screw-HH
8	58-6620	1	Pad-Footrest, LH
14	3256-16	3	Washer-Flat



Steering Tower Assembly

Ref	Part No.	Qty.	Description
1	98-1459	1	Decal
2	94-9952	1	Nut-Hex
3	98-1471	1	Wheel-Steering
3:1	98-1468	1	Cover-Wheel, Steering
4	98-3808	1	Column-Steering
5	93-9399	1	Decal-Noise
6	92-9220	1	Steering Control ASM
7	93-9397	1	Decal-Speed, Ground
8	340-18	4	Fitting-Hyd, 90 DEG
8:1	237-79	1	O-Ring
8:2	237-22	1	O-Ring
10	60-3260	1	Screw
11	63-4330	1	Decal-Overlay, 5 Blade
12	63-4340	1	Decal-Overlay, 11 Blade
16	33093-00	2	Washer-Flat
17	33113-012	2	Screw-HH
18	43-5930	2	Washer-Spring
19	58-0500-01	1	Cover-Valve, Steering
21	3256-24	4	Washer-Flat
22	3253-5	4	Washer-Lock
23	323-8	4	Screw-HH
25	82-9310-03	1	Panel-Display
26	107-1817	1	Decal-Panel, Display
27	60-0790	1	Grommet

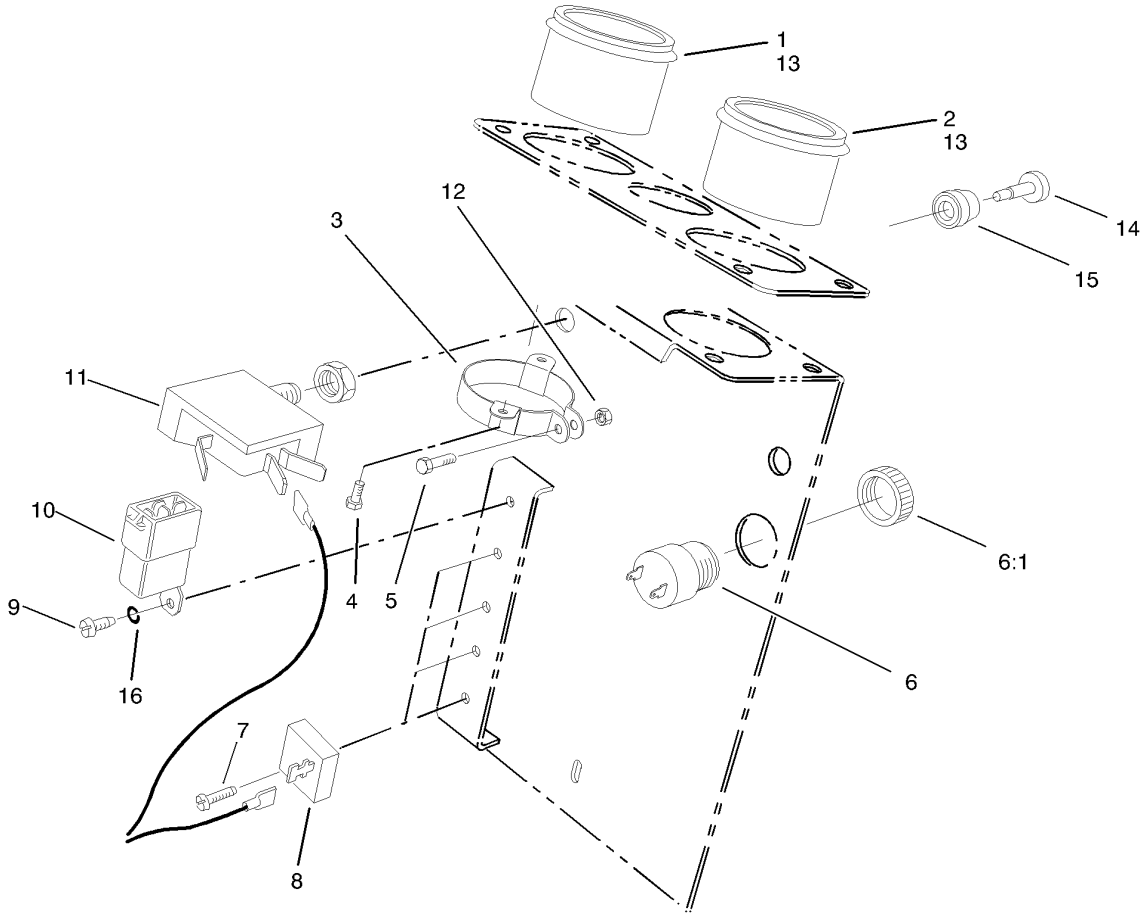
Ref	Part No.	Qty.	Description
34	105-4674	1	Decal-Noise
41	93-9427	1	Decal-Clip, 5 Blade
49	21-9260	1	Cover-Dust



Steering Control Assembly No. 92-9220

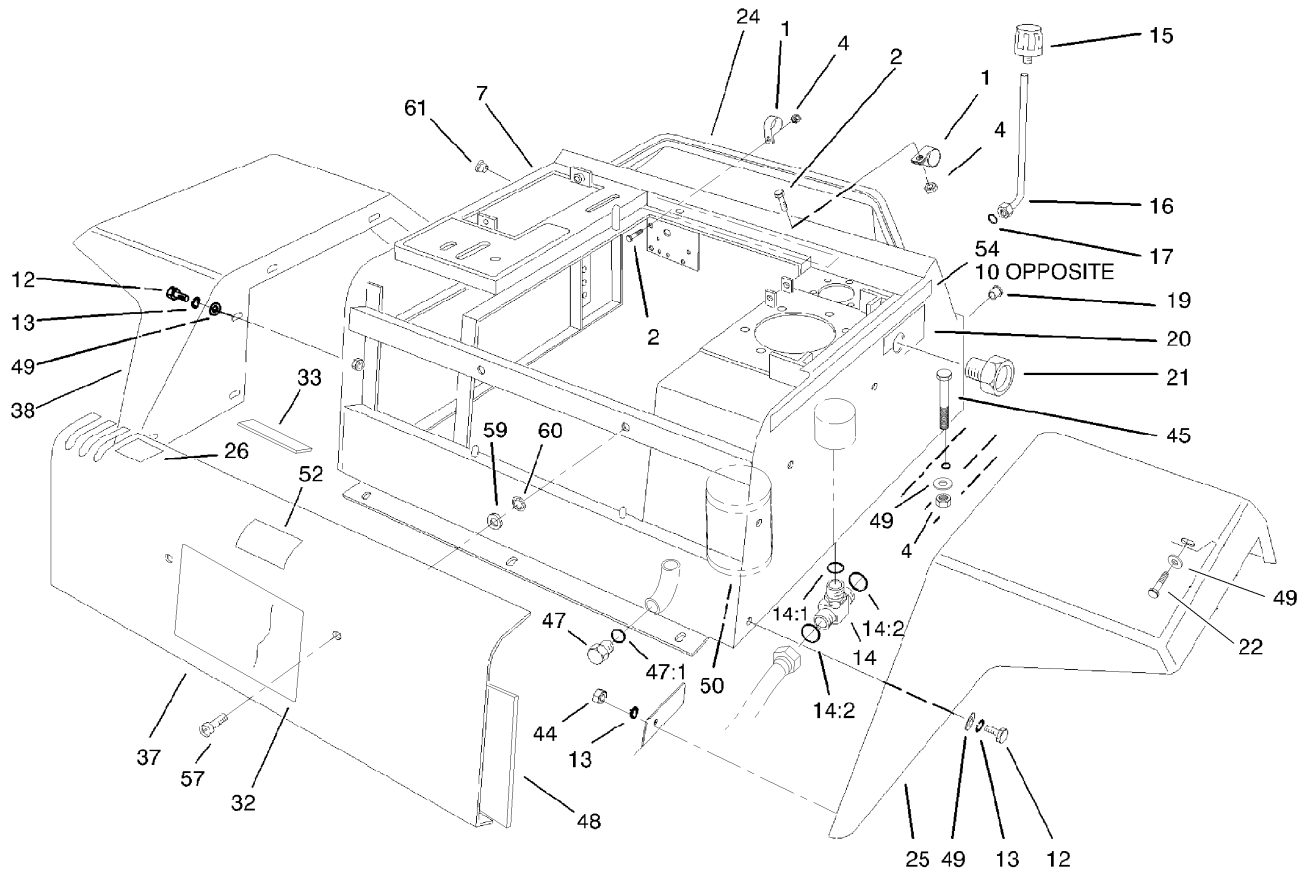
Ref	Part No.	Qty.	Description
2	52-9230	1	Ring-Retaining
3	52-9240	1	Bushing
28		1	Housing
29		1	Sleeve-Control
10	59-6820	1	Centering Spring Kit
11		1	Spool-Control
13	92-9732	1	Plate-Wear
14	59-6860	1	Drive
15	59-6870	1	Gerotor
16	92-9730	1	Cap-End
18	92-9733	7	Screw-Cap
19	59-6830	1	Centering Pin Kit
20	74-3090	2	Spring-Anti-Cav
21	92-9737	2	Plug-Retainer
22	74-3140	2	Ball-Check, Anti-Cav
23	52-9290	1	Retainer-Checkball
24	52-9280	1	Checkball
26	52-9270	1	Seat-Checkball
28	52-9260	1	Screw-Set
29	52-9250	1	Bearing Kit
29:1	59-6730	2	Race
29:2	59-6740	1	Bearing
30	92-9749	1	Seal Kit
30:1		1	Seal-Dust

Ref	Part No.	Qty.	Description
30:2		1	O-Ring
30:3		1	O-Ring
30:4		3	O-Ring
30:5		1	O-Ring
30:6		1	O-Ring
31	92-9747	1	End Cap Kit



Steering Tower Electrical Assembly

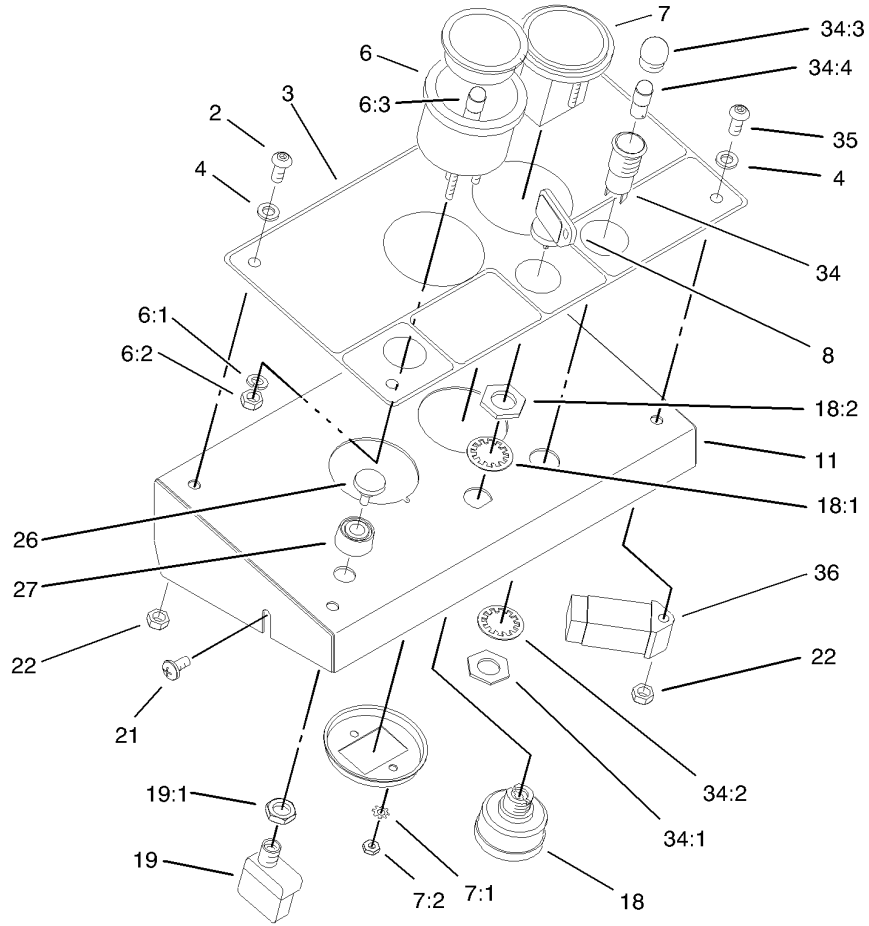
Ref	Part No.	Qty.	Description
1	93-1434	1	Gauge-Cluster, Warning
2	93-1435	1	Gauge-Cluster, Warning
3	69-4780	2	Clamp-Gauge
4	32144-19	4	Screw-SHWH
5	32105-12	2	Screw
6	80-9330	1	Alarm-Audio
6:1	104-5107	1	Nut-Plastic, Knurled
7	3251-4	4	Screw
8	37-7600	4	Rectifier-Bridge
9	3251-1	1	Screw-PPH
10	70-1480	1	Relay
11	43-6290	2	Switch
12	3296-2	2	Nut-Lock
13	219-17	8	Bulb
14	43-6280	2	Button-Push
15	43-6420	2	Bezel
16	3253-2	1	Washer-Lock / Sp



Fender and Center Console Assembly

Ref	Part No.	Qty.	Description
1	2412-106	2	Clamp-R
2	321-5	2	Screw-HH
4	3296-42	4	Nut-Lock, NI
7	92-9273-03	1	Console-Center
10	86-6490	1	Decal-4wd, RH
12	33113-016	10	Screw-HH
13	43-5930	10	Washer-Spring
14	92-4799	1	Fitting-Tee, HYD
14:1	237-79	1	O-Ring
14:2	237-22	2	O-Ring
15	68-6150	1	Breather
16	98-3844	1	Breather Tube ASM
17	237-65	1	O-Ring
19	32148-6	4	Insert-Nut
20	93-9406	1	Decal-Glass, Sight
21	58-5940	1	Plug-Gage, Sight
22	48-6900	4	Screw
24	92-5682	1	Strip-Sealing
25	58-0980-01	1	Mudguard-LH
26	93-9407	1	Decal-Lever, Lift
32	104-5203	1	Decal-Hillside (Ansi)
32	104-5204	1	Decal-Hillside (Ce)
33	68-7840	1	Strip-Sealing
37	58-1750-03	1	Panel-Access

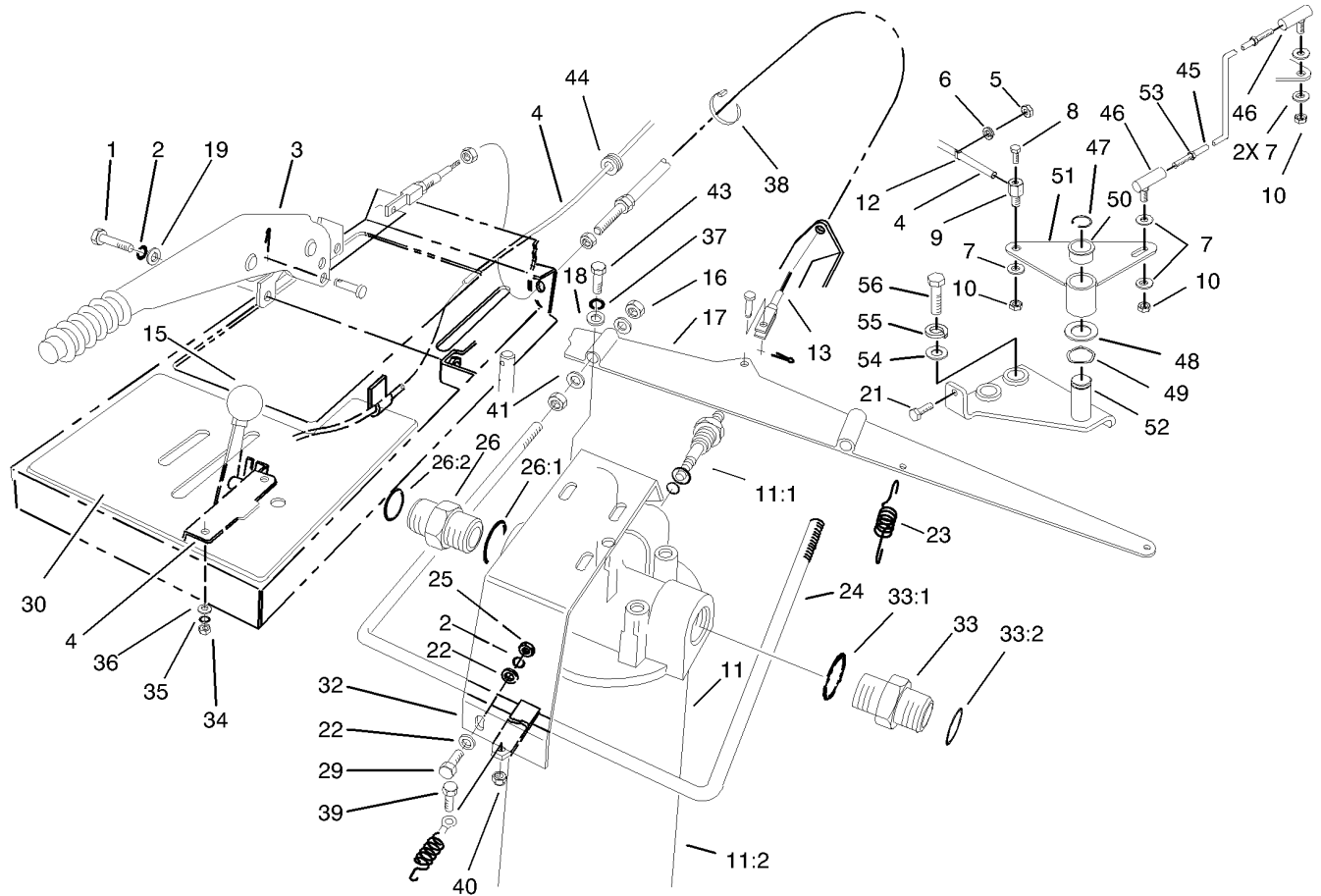
Ref	Part No.	Qty.	Description
38	92-4746-01	1	Mudguard-RH
44	48-7890	2	Nut
45	321-24	2	Screw-HH
47	58-9160	1	Plug-Drain
47:1	237-80	1	O-Ring
48	68-7810	1	Panel-Lining
49	3256-22	16	Washer-Flat
50	48-7120	1	Element-Suction
52	93-9425	1	Decal-Danger
54	92-5699	1	Decal-4wd, LH
57	3250-36	2	Screw-PPH
59	3256-3	2	Washer-Flat
60	32151-72	2	Ring-Retaining
61	92-6059	5	Plug-Button



Instrument Panel Assembly

Ref	Part No.	Qty.	Description
2	3274-31	3	Screw-HSBH
3	107-1819	1	Decal-Plate, Face
4	3256-22	4	Washer-Flat
6	98-9339	1	Gauge-Fuel
6:1	3254-1	3	Washer-Lock, Int
6:2	3217-27	3	Nut-Hex
6:3	105-9265	1	Bulb And Lamp ASM
7	66-2950	1	Gauge-Hourmeter
7:1	3255-20	2	Washer-Lock
7:2	3217-25	2	Nut-Hex
8	63-8360	1	Key-Ignition
11	98-3829-03	1	Panel-Instrument
18	88-9830	1	Key Switch ASM
18:1	3254-5	1	Washer-Tooth
18:2	218-461	1	Nut-HH
19	72-9760	1	Switch
19:1	218-498	1	Locknut
21	60-2170	2	Screw
22	3296-42	4	Nut-Lock, NI
26	43-6280	1	Button-Push
27	43-6420	1	Bezel
34	44-2210	1	Light-Indicator, Red
34:1	218-535	1	Nut-Hex
34:2	218-536	1	Washer-Lock

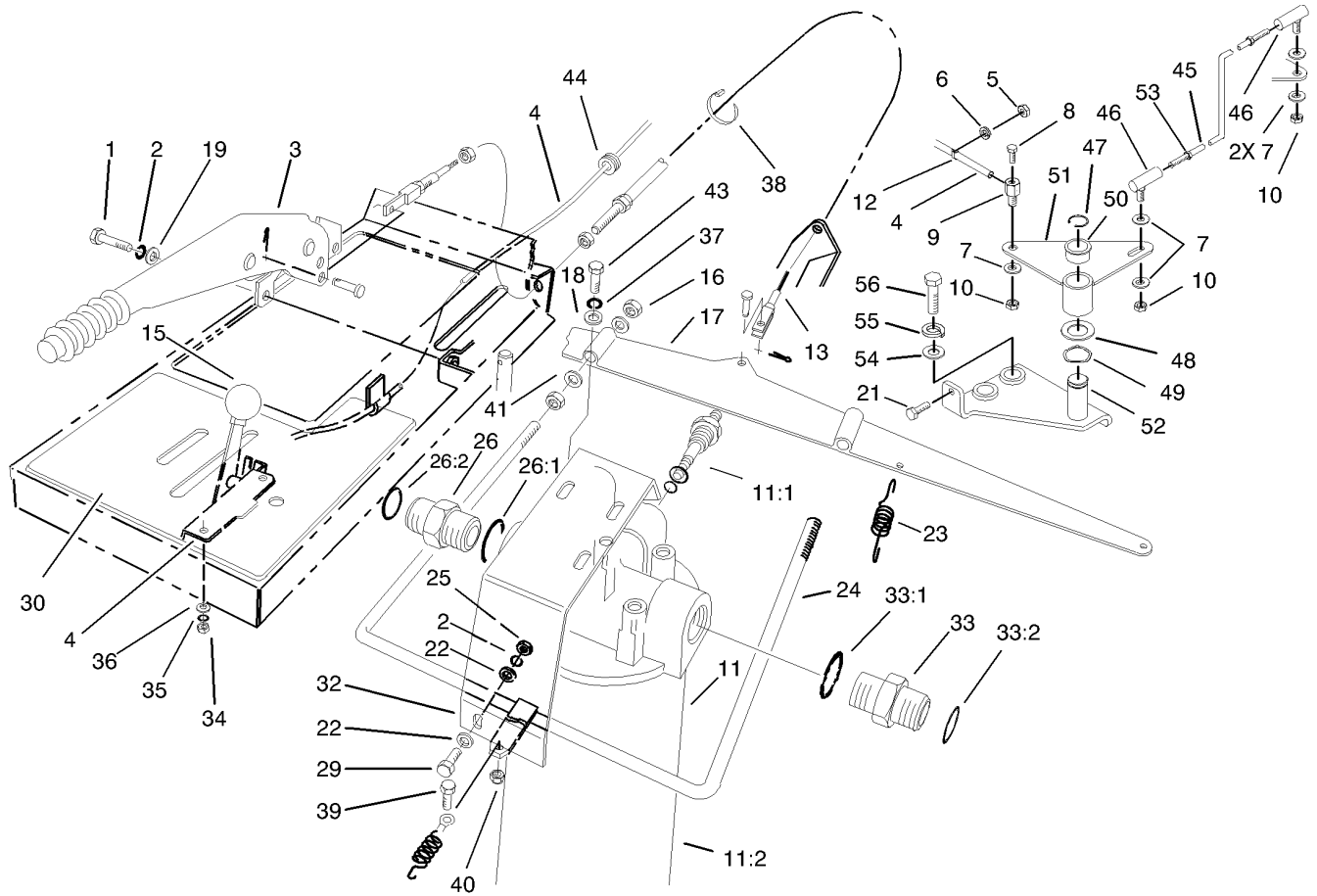
Ref	Part No.	Qty.	Description
34:3	218-533	1	Lens
34:4		1	Bulb
35	3274-65	1	Screw-HSBH
36	98-7611	1	Controller-Glow



Parking Brake, Throttle and Oil Filter Assembly

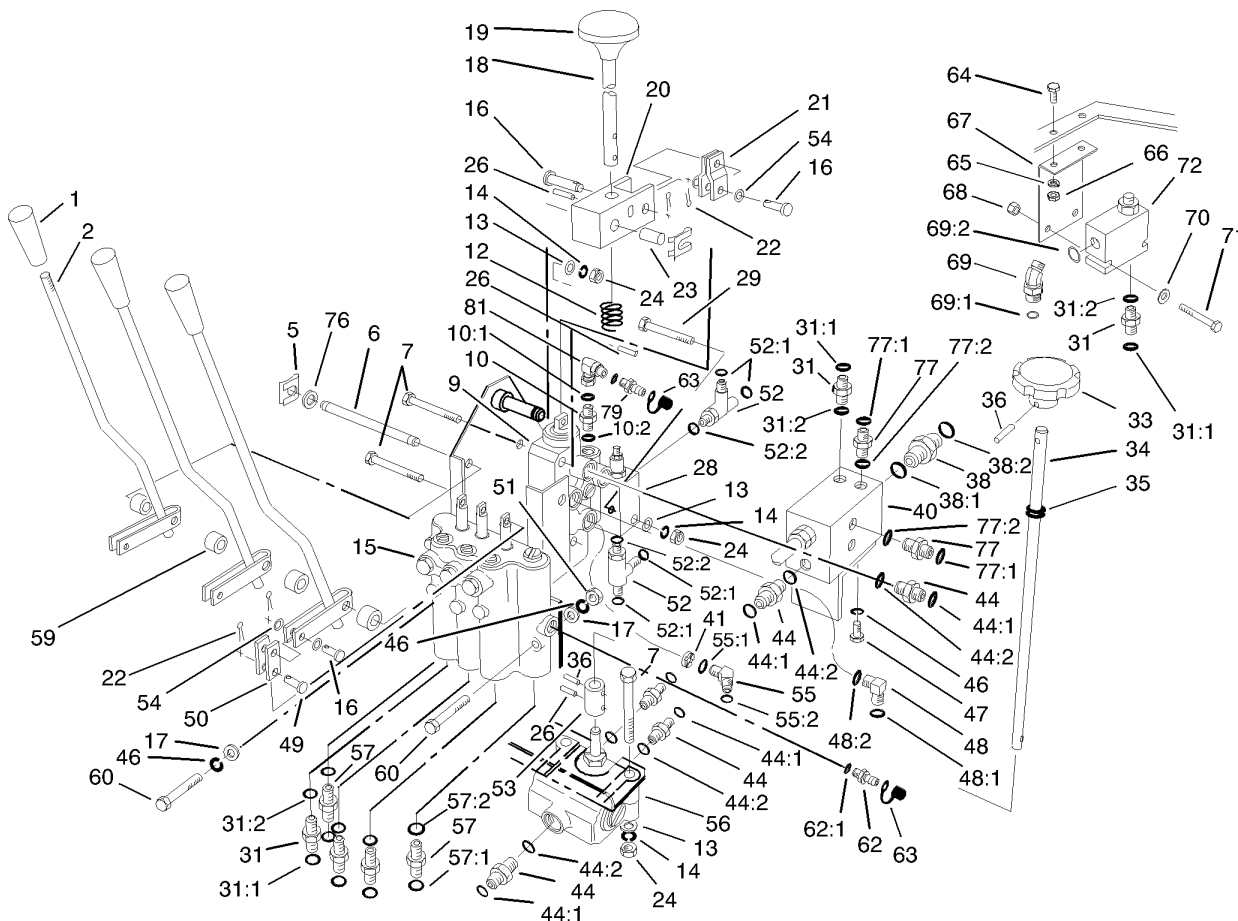
Ref	Part No.	Qty.	Description
1	33114-016	2	Screw-HH
2	42-9850	4	Washer-Lock, Spring
3	53-6070	1	Lever-Brake
4	59-7240	1	Control-Throttle
5	3217-5	1	Nut-Hex
6	3253-3	1	Washer-Lock
7	3256-22	5	Washer-Flat
8	25-8640	1	Screw-HH
9	93-0021	1	Swivel-Cable, Throttle
10	3296-13	3	Nut-Lock NI
11	86-6090	1	HYD Oil Filter ASM
11:1	86-6100	1	Indicator-Electrical
11:2	86-6110	1	Filter-Element
12	2412-31	1	Clamp-Boden
13	92-9222	1	Cable-Handbrake
15	233-25	1	Knob-Control
16	3217-6	4	Nut-Hex
17	58-2170-03	1	Bar-Linkage, Brake
18	3256-3	3	Washer-Flat
19	33094-00	2	Washer-Flat
21	321-4	1	Screw-HH
22	3256-23	4	Washer-Flat
23	60-2140	2	Spring
24	92-9225	1	Yoke

Ref	Part No.	Qty.	Description
25	3217-6	2	Nut-Hex
26	340-80	1	Adapter
26:1	237-123	1	O-Ring
26:2	340-65	1	O-Ring
29	322-6	2	Screw-HH
30	107-1818	1	Decal-Panel, Side Control
32	84-6470-03	1	Bracket-Filter
33	340-10	1	Adapter
33:1	237-123	1	O-Ring
33:2	340-64	1	O-Ring
34	48-7880	2	Nut-Hex
35	48-8000	2	Washer-Lock
36	52-6430	2	Washer
37	3253-5	3	Washer-Lock
38	3290-378	1	Tie-Cable
39	11-9030	1	Screw-Shoulder
40	3296-42	1	Nut-Lock, NI
41	3256-23	4	Washer-Flat
43	323-5	3	Screw-HH
44	60-2370	1	Grommet
45	98-1261	1	Rod-Throttle
46	98-3845	2	Joint-Ball, Rod End
47	936125	1	Ring-Snap, External
48	67-9410	1	Washer



Parking Brake, Throttle and Oil Filter Assembly (continued)

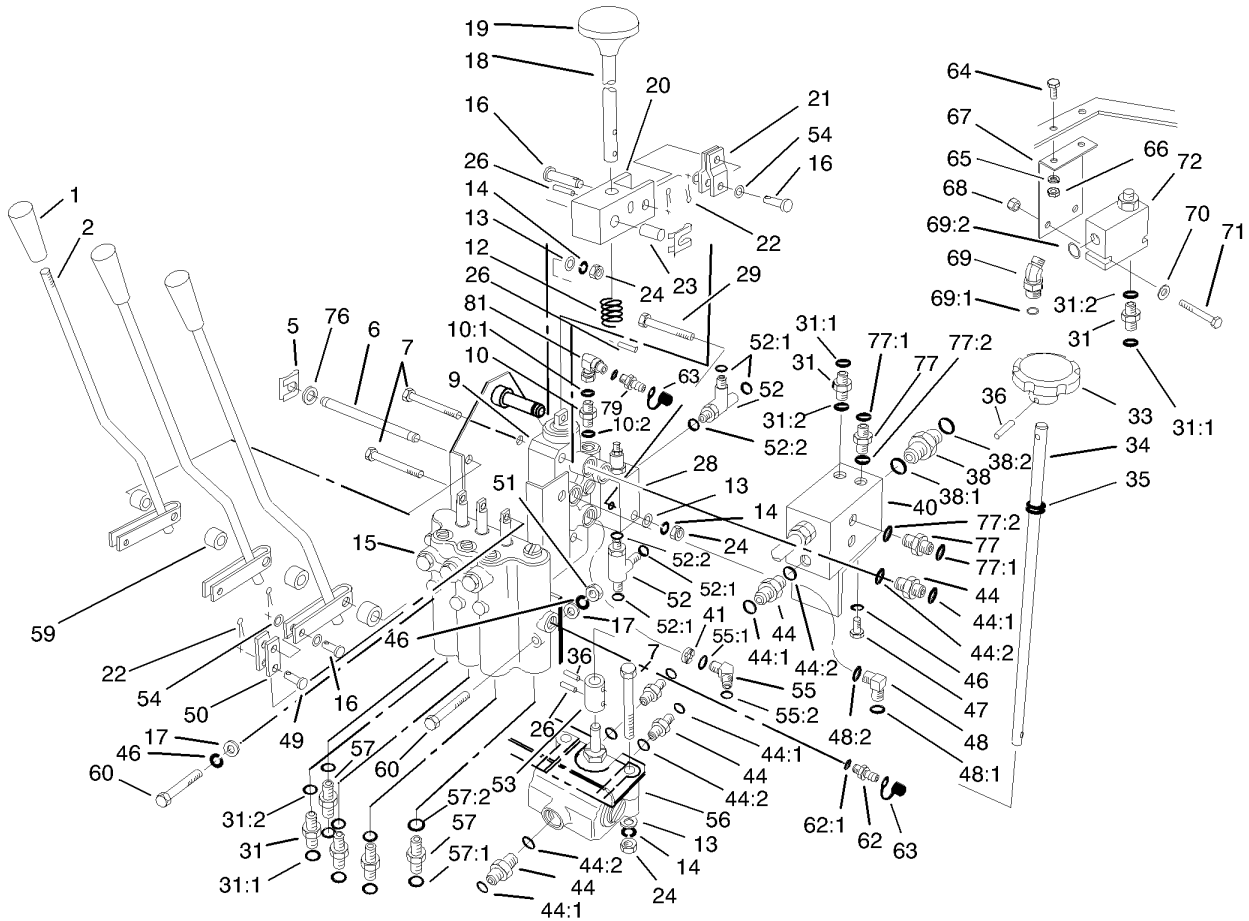
Ref	Part No.	Qty.	Description
49	98-3846	1	Washer-Wave
50	256-252	2	Bearing-Flange
51	98-1257-03	1	Lever-Throttle
52	98-1256-03	1	Plate-Throttle
53	3220-1	2	Nut-Jam
54	3256-24	2	Washer-Flat
55	48-9590	2	Washer-Lock
56	56-2140	2	Bolt



Valve Control Assembly

Ref	Part No.	Qty.	Description
1	233-39	3	Knob-Control
2	74-3190	3	Lever-Lift
5	60-5690	3	Clip
6	58-1520	1	Pin
7	322-12	4	Screw-HH
9	63-4800	1	Motor-Spool, Valve
10	340-88	1	Adapter
10:1	237-22	1	O-Ring
10:2	237-78	1	O-Ring
12	58-7190	1	Spring
13	3256-23	5	Washer-Flat
14	3253-4	5	Washer-Lock
15	93-1432	1	3 Spool Valve ASM
16	58-3830	5	Pin
17	33093-00	2	Washer-Flat
18	58-4450	1	Lever
19	233-10	1	Knob-Lever
20	58-4460	1	Clevis
21	58-1570	2	Link
22	3272-1	8	Pin-Cotter
23	60-0550	1	Bushing
24	3217-6	5	Nut-Hex
26	32121-118	3	Pin-Roll
28	58-5520	1	Valve-Relief, Adjustable

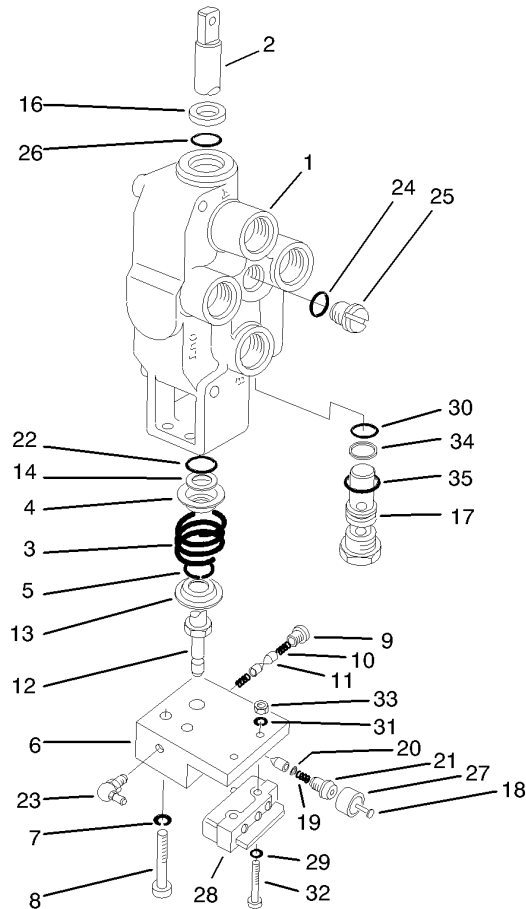
Ref	Part No.	Qty.	Description
29	322-9	1	Screw-HH
31	340-2	5	Fitting-Hyd, Straight
31:1	237-22	1	O-Ring
31:2	237-42	1	O-Ring
33	59-7130	1	Knob-Control, Speed
34	58-1510	1	Shaft
35	59-7910	1	Grommet
36	60-2110	2	Pin
38	340-80	1	Adapter
38:1	237-123	1	O-Ring
38:2	340-65	1	O-Ring
40	58-2150	1	Block-Manifold
41	66-5410	1	Orifice
44	340-7	6	Adapter
44:1	237-65	1	O-Ring
44:2	237-80	1	O-Ring
46	43-5930	4	Washer-Spring
47	33113-016	2	Screw-HH
48	340-17	2	Fitting-Hyd, 90 DEG
48:1	237-65	1	O-Ring
48:2	237-80	1	O-Ring
49	58-3810	3	Pin-Clevis
50	58-1560	6	Link
51	48-7890	1	Nut



Valve Control Assembly (continued)

Ref	Part No.	Qty.	Description
52	340-86	2	Fitting-Hyd, Tee
52:1	237-22	2	O-Ring
52:2	237-42	1	O-Ring
53	93-7768	1	Coupling
54	52-6430	8	Washer
55	66-5860	1	Fitting-Elbow, 45
55:1	237-80	1	O-Ring
55:2	237-65	1	O-Ring
56	58-5490	1	Valve-Control, Flow
57	340-3	2	Adapter
57:1	237-22	1	O-Ring
57:2	237-79	1	O-Ring
59	58-1540	4	Spacer-Nylon
60	33113-050	2	Screw-HH
62	59-7410	1	Tip-Nipple, Diagonal
62:1	237-42	1	O-Ring
63	353-947	3	Cap-Dust, Rubber
64	321-3	2	Screw-HH
65	3253-3	2	Washer-Lock
66	3217-5	2	Nut-Hex
67	63-4690-03	1	Bracket-Valve
68	3296-8	2	Nut-Lock
69	340-87	1	Fitting-Hyd, 45 DEG
69:1	237-22	1	O-Ring

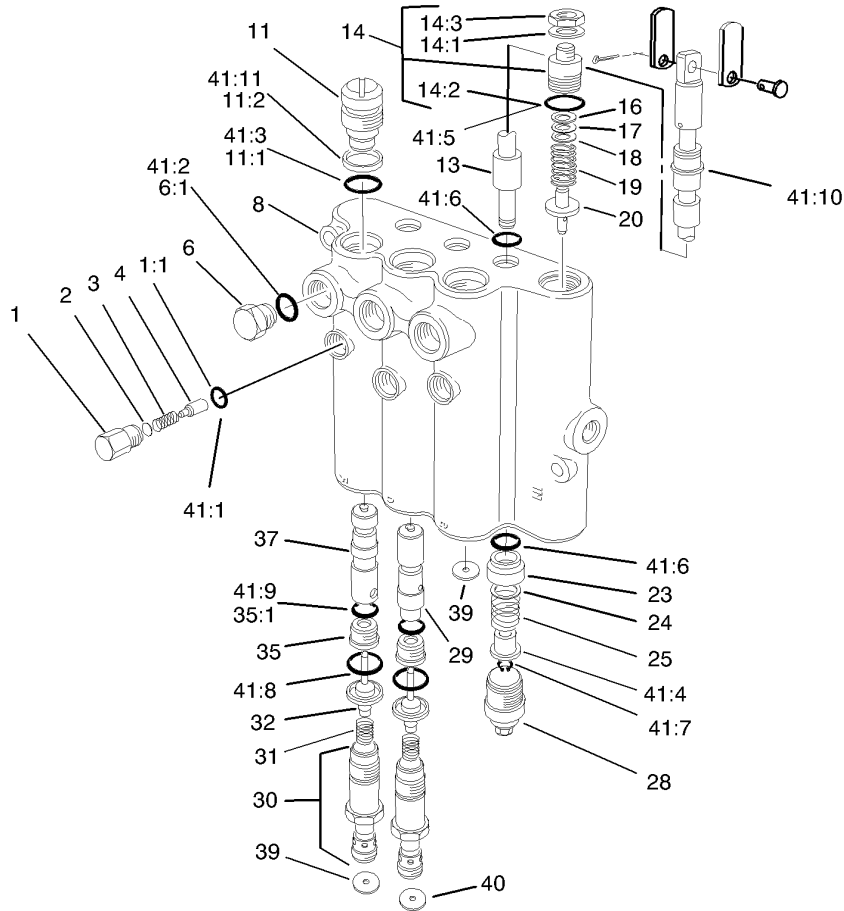
Ref	Part No.	Qty.	Description
69:2	237-42	1	O-Ring
70	3256-22	2	Washer-Flat
71	321-11	2	Screw-HH
72	63-4700	1	Valve-Flow, Regulator
76	3256-24	2	Washer-Flat
77	92-9258	3	Check-Adapter
77:1	237-22	1	O-Ring
77:2	237-42	1	O-Ring
79	86-5480	2	Nipple-Test
81	98-1281	1	Adapter-90 DEG



Valve Motor Spool Assembly No. 63-4800

Ref	Part No.	Qty.	Description
1		1	Body
2		1	Spool
3	59-8040	1	Spring
4	59-8080	1	Washer
5	59-8170	1	Washer
6	63-4820	1	Block-Detent
7	59-8070	2	Lockwasher
8	63-4830	2	Capscrew
9	59-8060	1	Plug
10	59-8050	2	Spring
11	59-8150	3	Pawl
12	63-4840	1	Screw-Detent
13	59-8100	1	Washer
14	59-8180	1	Washer
16	59-8190	1	Wiper
17	63-4780	1	Valve
18	63-4850	1	Plunger
19	63-4510	1	Spring
20	63-4860	1	Circlip
21	59-8230	1	Plug
22	59-7780	1	Ring
23	302-66	1	Fitting-Grease
24	59-8140	1	Ring
25	59-8160	1	Plug

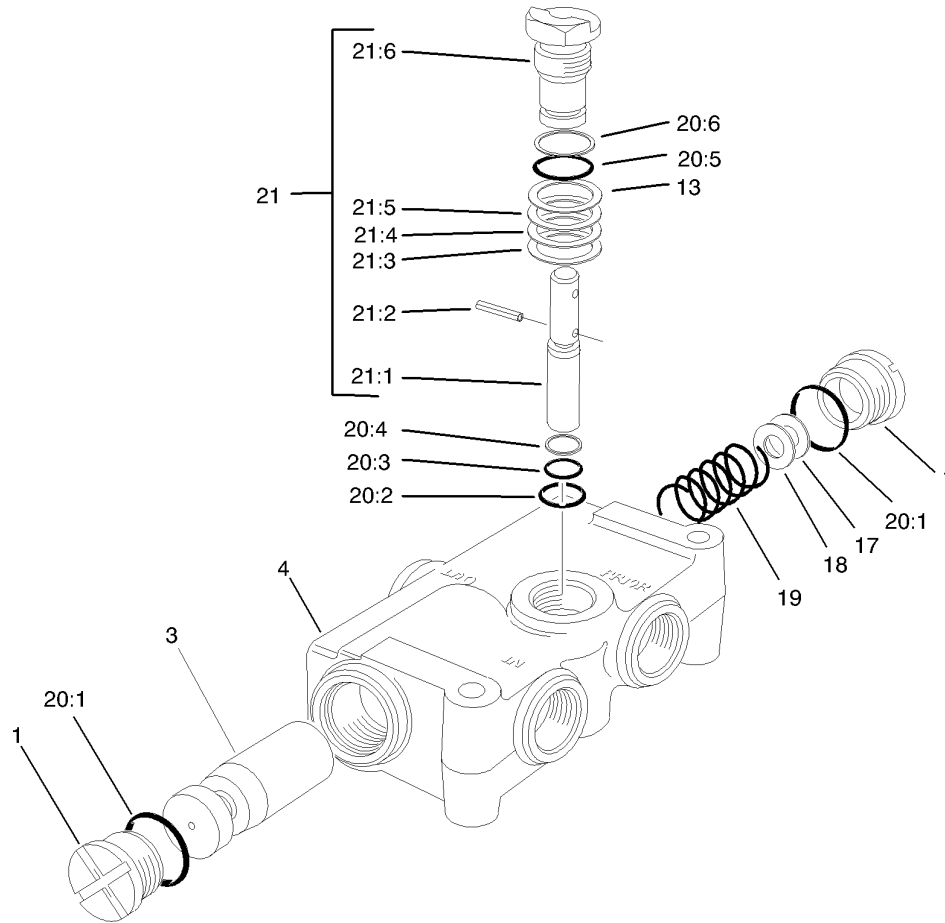
Ref	Part No.	Qty.	Description
26	59-8120	1	Ring
27	66-5420	1	Sleeve
28	60-4550	1	Switch-Micro
29	3256-13	2	Washer
30	63-4440	1	O-Ring
31	3253-19	2	Washer-Lock
32	66-5430	2	Screw
33	66-5440	2	Nut-Hex
34	59-7860	1	Washer
35	42-1220	1	O-Ring



Control Valve Assembly No. 93-1432

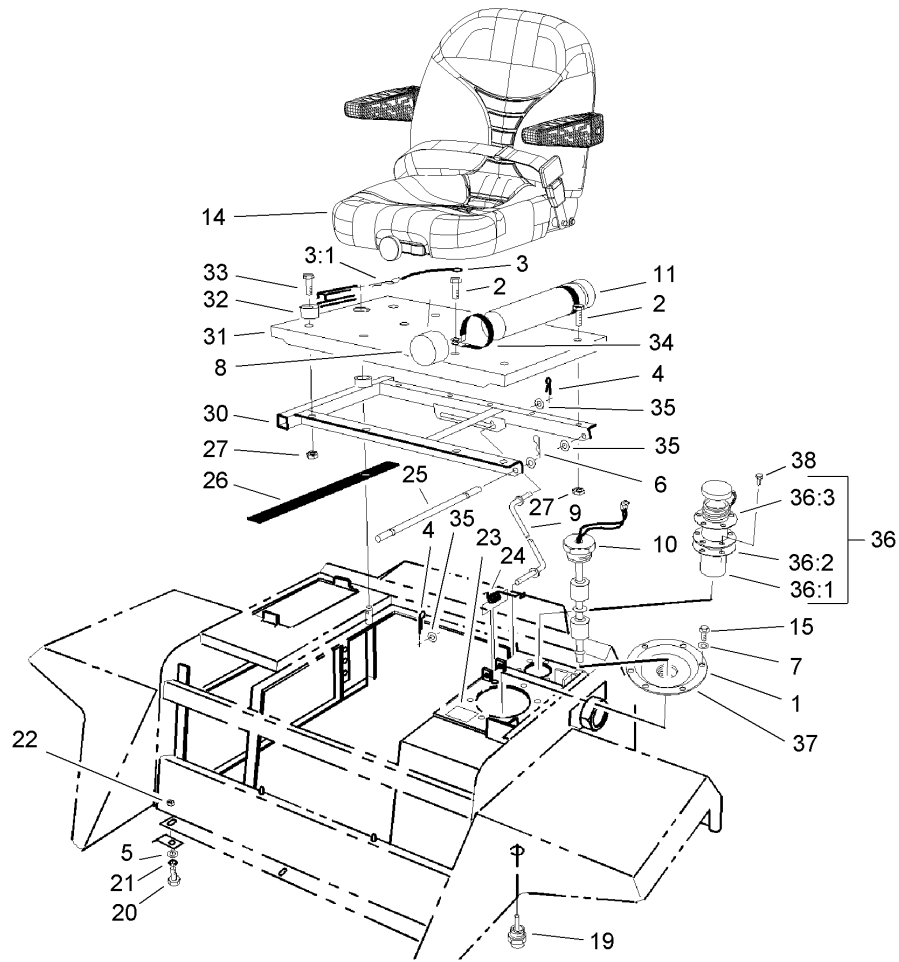
Ref	Part No.	Qty.	Description
1	58-6780	3	Plug
1:1	58-6790	1	O-Ring
2	60-6450	1	Disc
3	58-6760	3	Spring
4	58-6770	3	Plunger
6	353-508	3	Plug
6:1	237-42	1	O-Ring
28		1	Body
11	58-6350	3	Plug
11:1	60-5720	1	O-Ring
11:2	58-6370	1	Washer
13		3	Spool
14	69-1830	1	Plug ASM
14:1		1	Washer
14:2	58-6750	1	O-Ring
14:3		1	Nut-Lock
16	58-6470	1	Washer
17	58-6480	1	Washer
18	58-6490	1	Washer
19	84-6450	1	Spring
20	58-6440	1	Poppet
23	58-6400	3	Bushing
24	58-6700	3	Washer
25	58-6730	3	Spring

Ref	Part No.	Qty.	Description
28	58-6420	3	Cap
29	84-6430	1	Plunger
30	58-6380	3	Plug
31	58-6410	3	Spring
32	60-6440	3	Eyelet
35	58-6330	3	Seat
35:1	58-6340	1	O-Ring
37	84-6420	2	Plunger
39	84-6400	2	Disc-Orifice
40	84-6401	1	Disc-Orifice
41	60-3780	1	Seal Kit
41:1	58-6790	3	O-Ring
41:2	58-6720	3	O-Ring
41:3	60-5720	6	O-Ring
41:4	58-6310	6	Spacer
41:5	58-6750	1	O-Ring
41:6	58-6450	6	O-Ring
41:7	58-6460	3	Ring-Retaining
41:8	58-6290	3	Poppet
41:9	58-6340	3	O-Ring
41:10	58-6320	3	Wiper
41:11	58-6370	1	Washer



Priority Flow Control Valve Assembly No. 58-5490

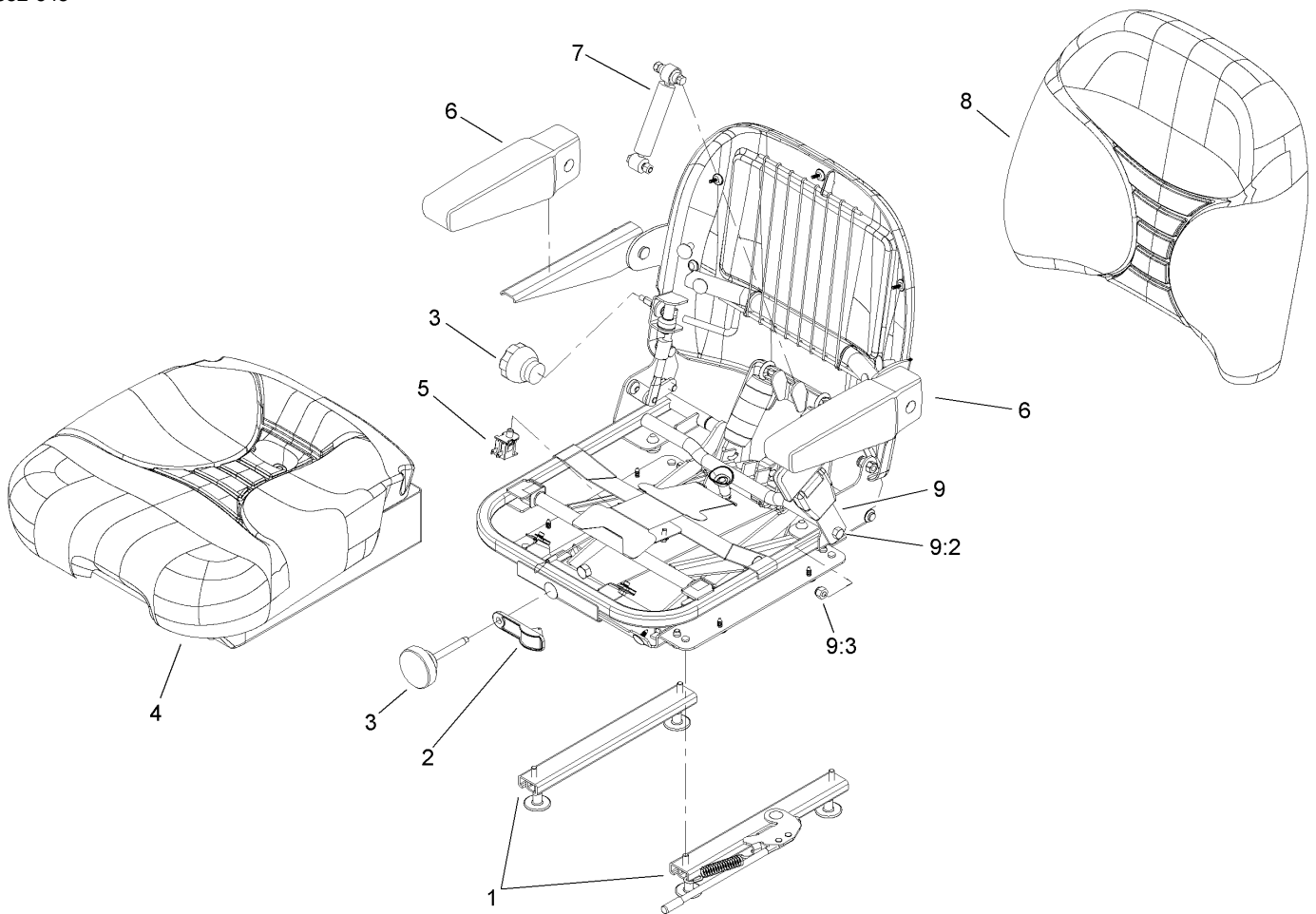
Ref	Part No.	Qty.	Description
1	59-7600	2	Plug
②3		1	Spool
②4		1	Body
13	59-7720	1	Washer
17	59-7750	1	Washer
18	59-7760	1	Washer
19	59-7770	1	Spring
20	63-4520	1	Seal Kit
20:1	59-7610	2	Ring
20:2	59-7640	1	Ring
20:3	59-7650	1	Ring
20:4	60-5950	1	Washer
20:5	59-7780	1	Ring
20:6	58-6370	1	Washer
21	94-8265	1	Plug-Metering
②21:1		1	Stem-Metering
②21:2		1	Pin-Groove
②21:3		1	Shim
②21:4		1	Shim
②21:5		1	Shim
②21:6		1	Plug-Metering



Seat Platform and Filler Cap Assembly

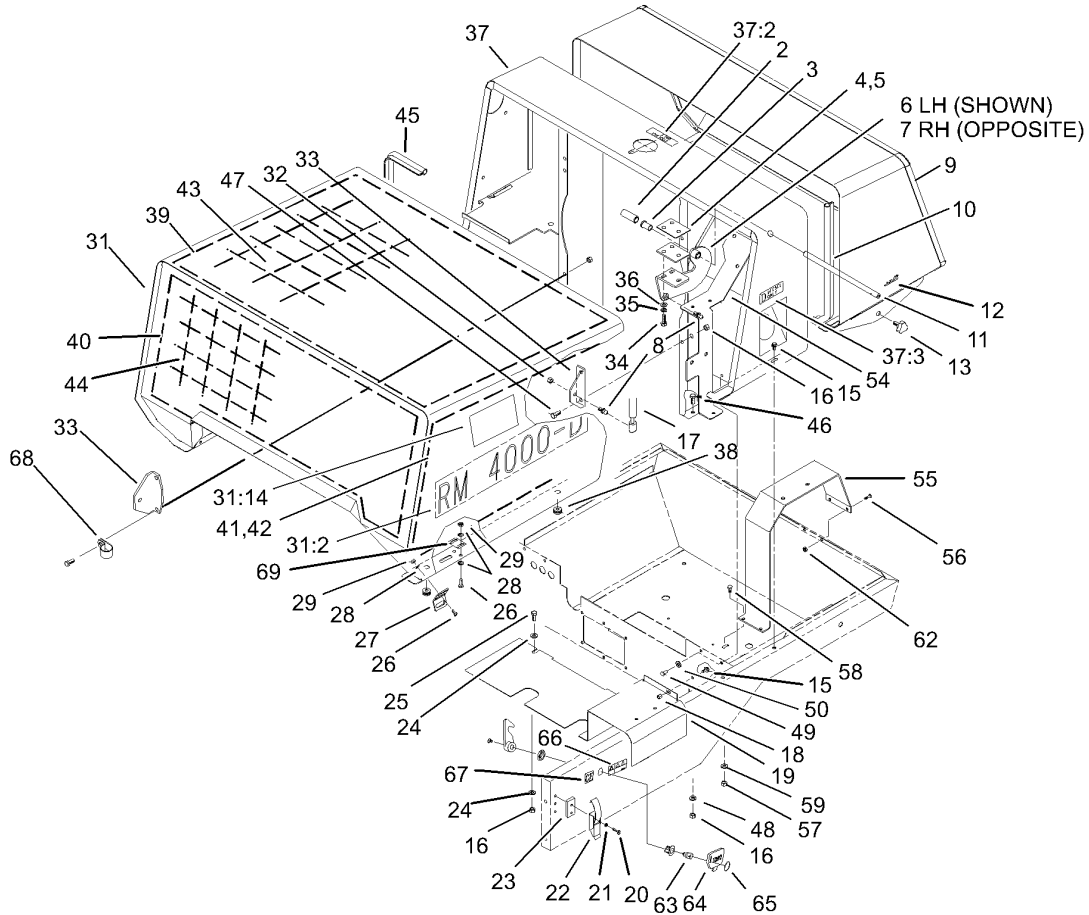
Ref	Part No.	Qty.	Description
1	92-9200	1	Cover
2	3234-5	6	Screw
3	60-2160	1	R-Clip ASM
3:1	3290-355	1	Pin-Hair
4	3272-11	2	Pin-Cotter
5	3256-24	2	Washer-Flat
6	3290-250	2	Pin-Hair
7	3253-15	6	Washer-Lock
8	104-7048	1	Cap-Housing
9	58-1650	1	Rod-Seat
10	82-9340	1	Level Switch ASM
11	104-7050	1	Housing-Manual
14	106-9988	1	Seat-Suspension
15	46-0670	6	Screw-PPH
19	60-5580	1	Switch-Temperature
20	323-7	2	Screw-HH
21	3253-21	2	Washer-Lock
22	32128-21	2	Nut-HF
23	93-6686	1	Decal-Oil, HYD
24	60-0050	1	Spring-Tray, Seat
25	58-1640	1	Pin-Pivot, Seat
26	68-7850	1	Strip-Sealing
27	32128-20	10	Nut-HF
30	58-1580-03	1	Seat-Frame

Ref	Part No.	Qty.	Description
31	58-9830-03	1	Plate-Seat
32	26-4840	4	Spacer-Pin, Mounting
33	322-6	4	Screw-HH
34	2412-133	2	R-Clamp
35	3256-24	4	Washer-Flat
36	71-4040	1	HYD Filler ASM
36:1	62-2610	1	Strainer-Cap, Filler
36:2	353-963	2	Gasket
36:3	353-961	1	Flange
37	58-6820	1	Gasket
38	32144-107	6	Screw



Suspension Seat Assembly No. 106-9988

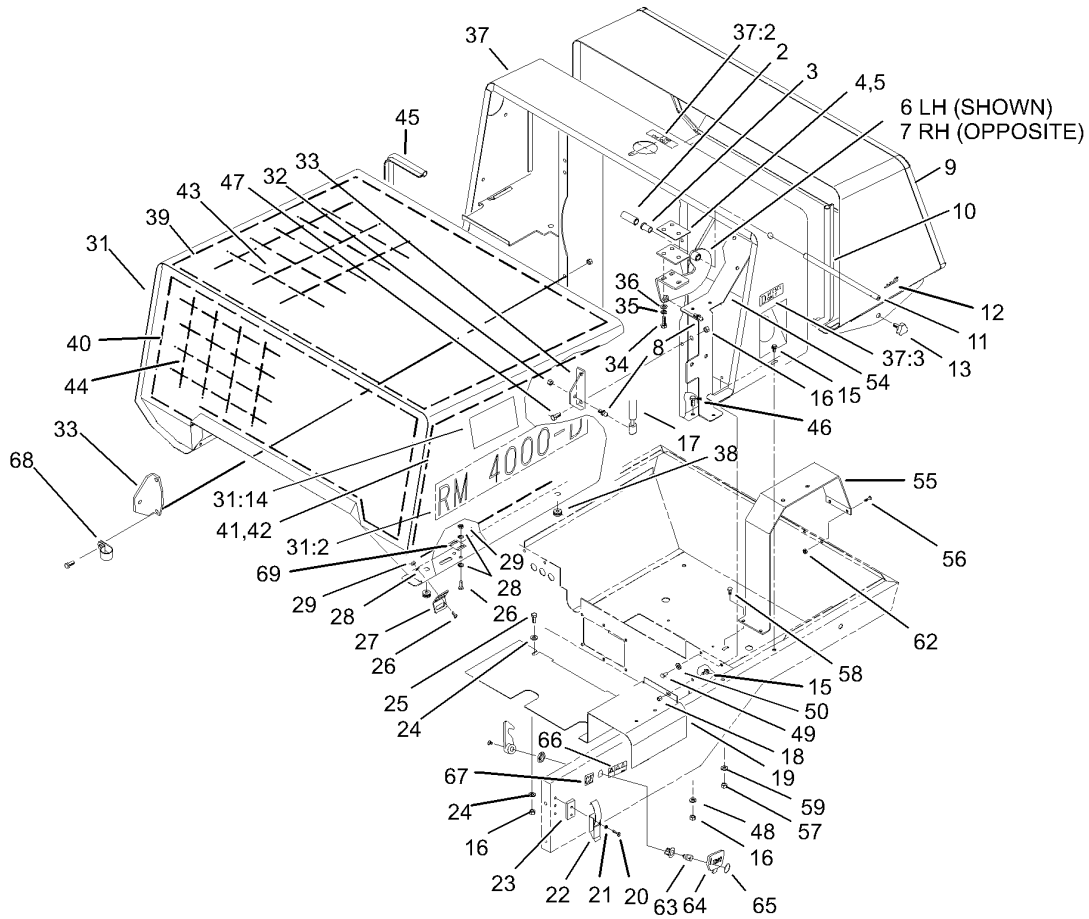
Ref	Part No.	Qty.	Description	
1	107-1880	1	Seat Track Kit	
2	107-1885	1	Weight Indicator Kit	
3	107-1881	1	Knob Kit	
4	107-1883	1	Bottom Cushion Kit	
5	107-1886	1	Switch Kit	
6	107-1887	1	Armrest Kit	
7	107-1884	1	Shock Absorber Kit	
8	107-1882	1	Back Cushion Kit	
9	103-4469	1	Seatbelt Kit	
9:2	3212-4	2	Screw-HH	
9:3	3296-38	2	Nut-Lock NI	



Front and Rear Canopy Assembly

Ref	Part No.	Qty.	Description
2	92-5655	2	Tube-Canopy
3	58-3930	2	Bushing-Oilite
4	58-5330	2	Spacer-Hinge, Canopy
5	58-5350	2	Spacer-Hinge, Canopy
6	58-1970-01	1	Plate-Hinge, Left
7	58-1980-01	1	Plate-Hinge, Right
8	86-6130	4	Ball-Stud
9	92-6086	1	Rear Screen ASM
10	92-5253	1	Strip-Sealing
11	58-3910	2	Pin-Hinge, Canopy
12	3290-355	2	Pin-Hair
13	77-3620	2	Knob-Retainer
15	3234-13	5	Screw-HHF
16	3296-29	9	Nut-Lock, NI
17	88-6760	2	Spring-Gas
18	3296-56	1	Nut-Lock, NI
19	105-3330-03	1	Baffle-Body, Lower
20	3250-25	4	Screw-PPH
21	3253-2	4	Washer-Lock / Sp
22	58-5380	2	Latch-Draw
23	58-7070-03	2	Spacer-Latch, RH
24	3256-23	2	Washer-Flat
25	322-3	1	Screw-HH
26	3250-31	10	Screw-PPH

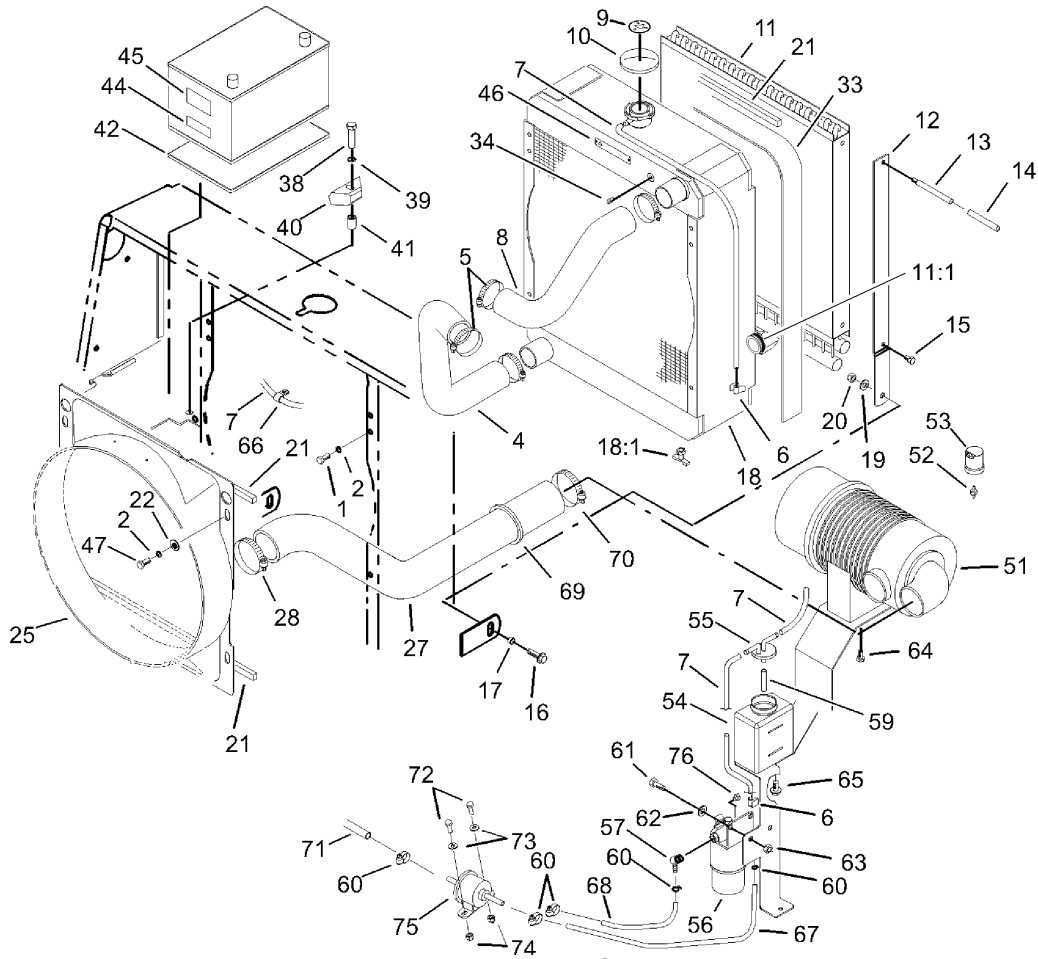
Ref	Part No.	Qty.	Description
27	68-6040	2	Bracket
28	3256-51	12	Washer-Flat
29	3296-27	10	Nut-Lock NI
31	106-7074	1	Canopy-Front
31:2	106-7060	2	Decal
31:14	66-6140	2	Decal
32	48-9510	2	Nut
33	92-5652-03	2	Bracket
34	33114-025	6	Screw-HH
35	42-9850	6	Washer-Lock, Spring
36	33094-00	6	Washer-Flat
37	105-3325	1	Center Canopy ASM
37:2	93-9404	1	Decal-Only, Coolant
37:3	93-6680	1	Decal-Diesel
38	237-141	4	Grommet-Rubber
39	92-5678	1	Foam-Hood, Top
40	92-5679	1	Foam-Hood, Front
41	92-5680	1	Foam-Hood, RH
42	92-5681	1	Foam-Hood, LH
43	92-5672-03	1	Support-Foam, Canopy
44	92-5673-03	1	Support-Foam, Front
45	92-6060	1	Strip-Sealing
46	322-5	4	Screw-HH
47	322-4	4	Screw-HH



Front and Rear Canopy Assembly (continued)

Ref	Part No.	Qty.	Description
48	3256-3	4	Washer-Flat
49	321-2	4	Screw-HH
50	3253-3	4	Washer-Lock
54	104-5230-03	1	Bracket-Fuel
55	94-8226-03	1	Bracket-Cleaner, Air
56	32122-42	2	Screw
57	3296-42	2	Nut-Lock, NI
58	321-3	2	Screw-HH
59	3256-22	2	Washer-Flat
62	3296-56	2	Nut-Lock, NI
63	98-5398	1	Latch
64	99-8970	1	Key-Latch, Hood
65	98-9321	1	Ring-Key
66	100-6574	1	Decal-Warning
67	93-7252	1	Decal
68	2412-109	1	Clip-J
69	105-9270	1	Plate-Strike

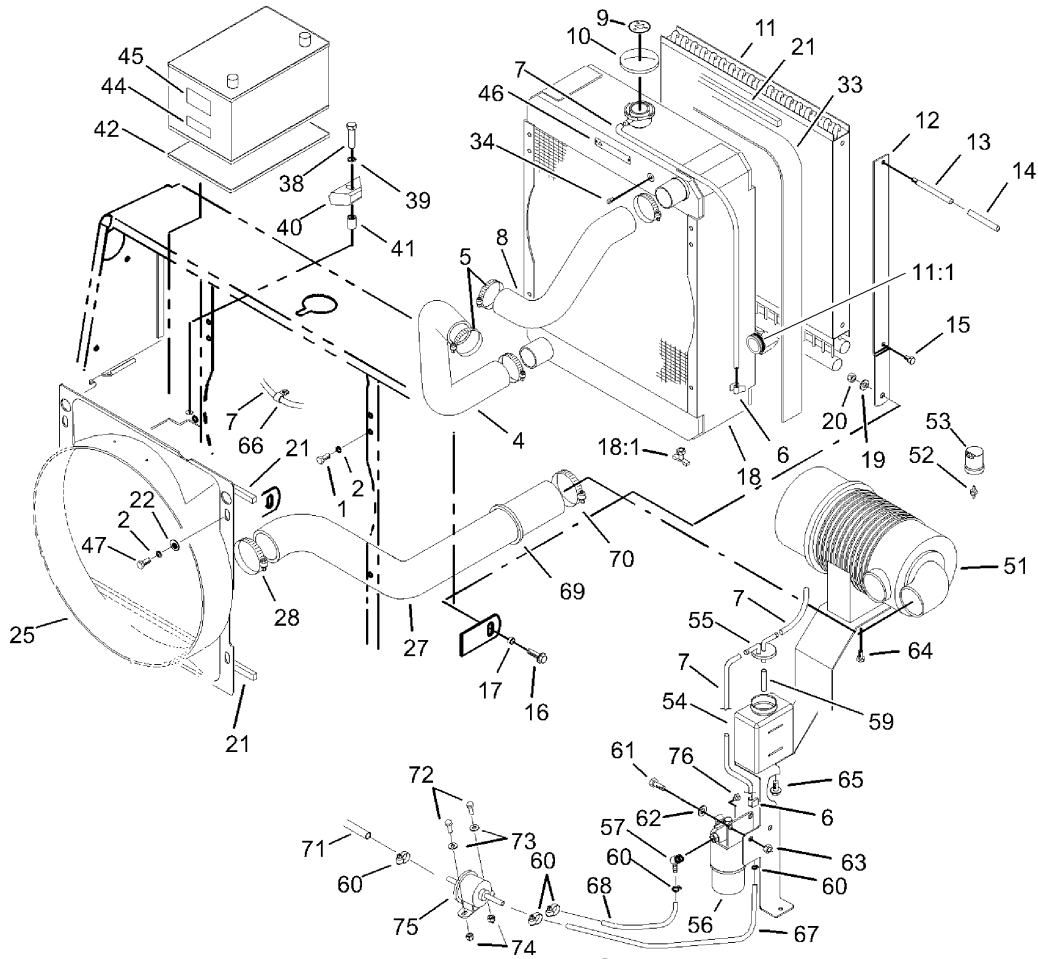
--	--	--	--



Radiator, Oil Cooler and Air Cleaner Assembly

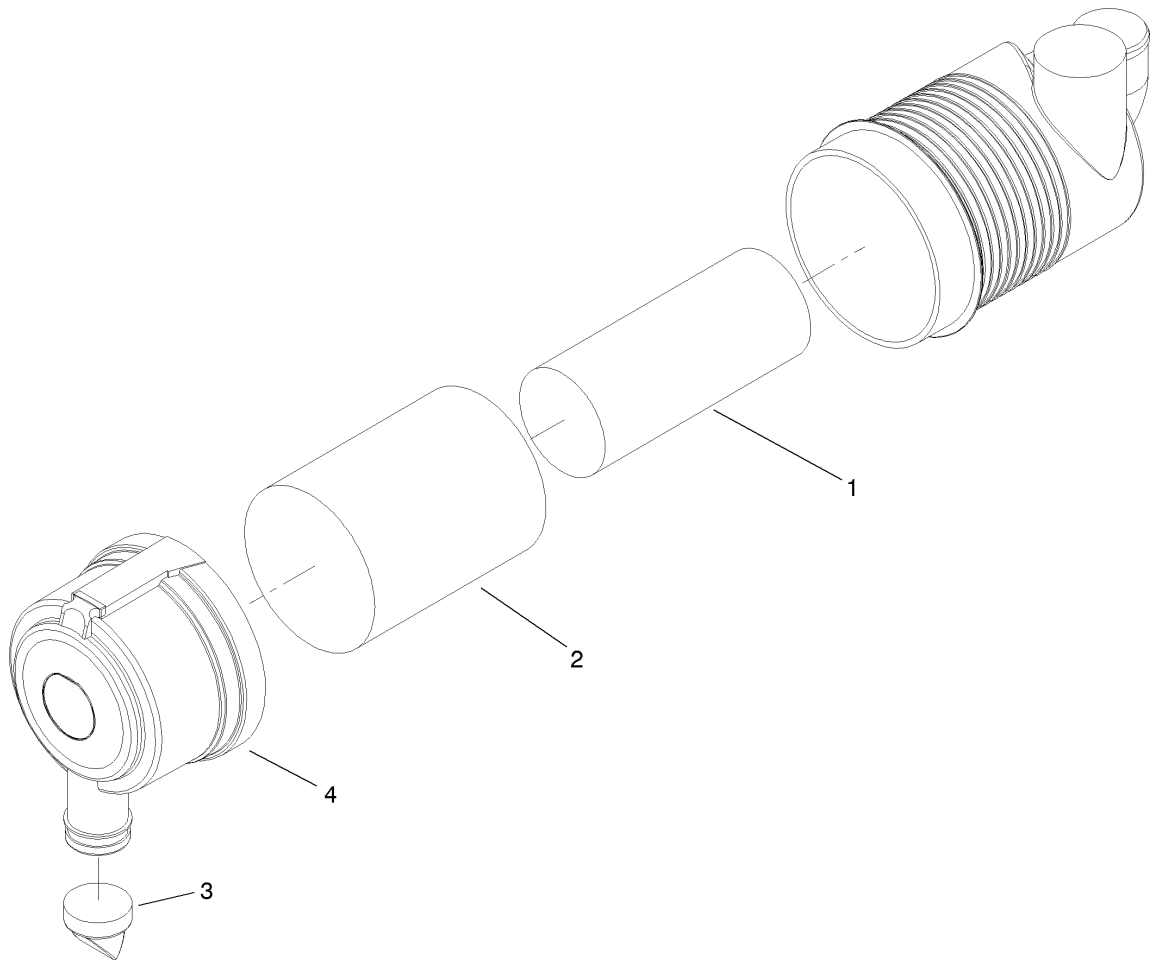
Ref	Part No.	Qty.	Description
1	322-3	2	Screw-HH
2	3253-4	6	Washer-Lock
4	98-1215	1	Hose-Lower, Radiator
5	2412-92	4	Clamp-Hose
6	104-5232	4	Clip-Wire
7	98-7895	2	Tube
8	98-1214	1	Hose-Radiator, Upper
9	59-8440	1	Decal-Pressure Warning, Radiator
10	58-5420	1	Cap-Pressure
11	58-5540	1	Cooler-Oil
11:1	340-65	2	O-Ring
12	92-4753-03	2	Strap-Cooler, Oil
13	75-7790	2	Handle
14	47-2550	2	Grip-Handle, Bag
15	48-7680	2	Screw-HH
16	3234-11	2	Screw-HHF
17	76-2290	2	Spacer
18	92-4729	1	Radiator ASM
18:1	304-46	1	Draincock
19	3256-24	4	Washer-Flat
20	3296-39	2	Nut-Lock, NI
21	68-7575	3	Strip-Sealing
22	99-2900	4	Washer-Flat
25	98-1250	1	Shroud-Fan

Ref	Part No.	Qty.	Description
27	98-1234	1	Hose-Intake
28	2412-42	1	Clamp-Hose
33	92-6062	1	Foam-Seal, Radiator
34	281-2	1	Plug-Pipe, SQH
38	323-9	1	Screw-HH
39	3256-24	1	Washer-Flat
40	66-2490	1	Retainer-Battery
41	32148-9	1	Insert-Nut
42	93-1420	1	Tray-Battery
44	93-6668	1	Decal-Battery
45	93-7276	1	Decal-Danger
46	93-6681	1	Decal-Warning, Fan
47	322-4	4	Screw-HH
51	100-2597	1	Air Filter ASM
52	94-1416	1	Indicator Adapter ASM
53	69-1940	1	Indicator-Electrical
54	93-2049	1	Tank-Overflow
55	93-2048	1	Cap-Tank, Overflow
56	104-5218	1	Water/fuel Sep. Filter ASM
57	353-781	2	Fitting-Elbow
59	94-1348	1	Hose-Fuel
60	2412-108	5	Clamp-Worm
61	322-5	2	Screw-HH
62	3256-23	2	Washer-Flat



Radiator, Oil Cooler and Air Cleaner Assembly (continued)

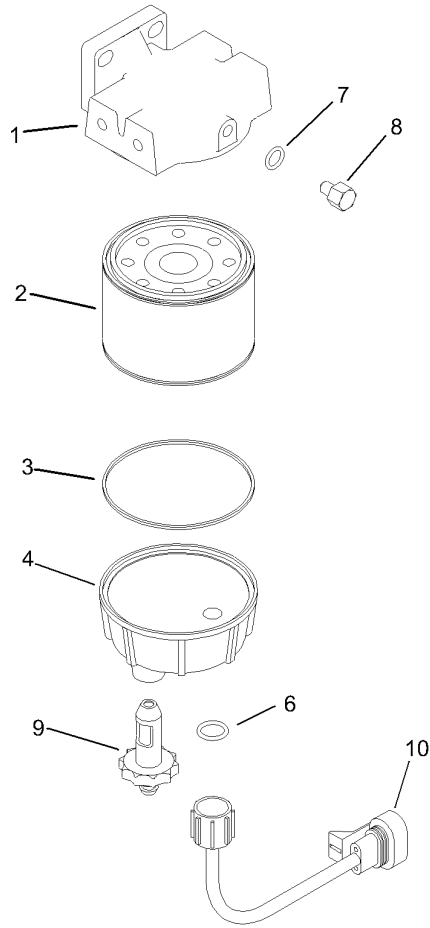
Ref	Part No.	Qty.	Description
63	3296-29	2	Nut-Lock, NI
64	33104-016	2	Screw-HHF
65	33114-016	2	Screw-HH
66	92-6064	1	R Clamp
67	104-4848	1	Hose-Fuel
68	63-7630	1	Hose-Fuel
69	98-7896	1	Trim Lok
70	2412-125	1	Clamp-Hose
71	55-4130	1	Hose-Fuel
72	321-4	2	Screw-HH
73	3256-1	2	Washer-Flat
74	3296-42	2	Nut-Lock, NI
75	104-5215	1	Pump-Fuel, Electric
76	281-13	2	Plug-Pipe



Air Filter Assembly No. 100-2597

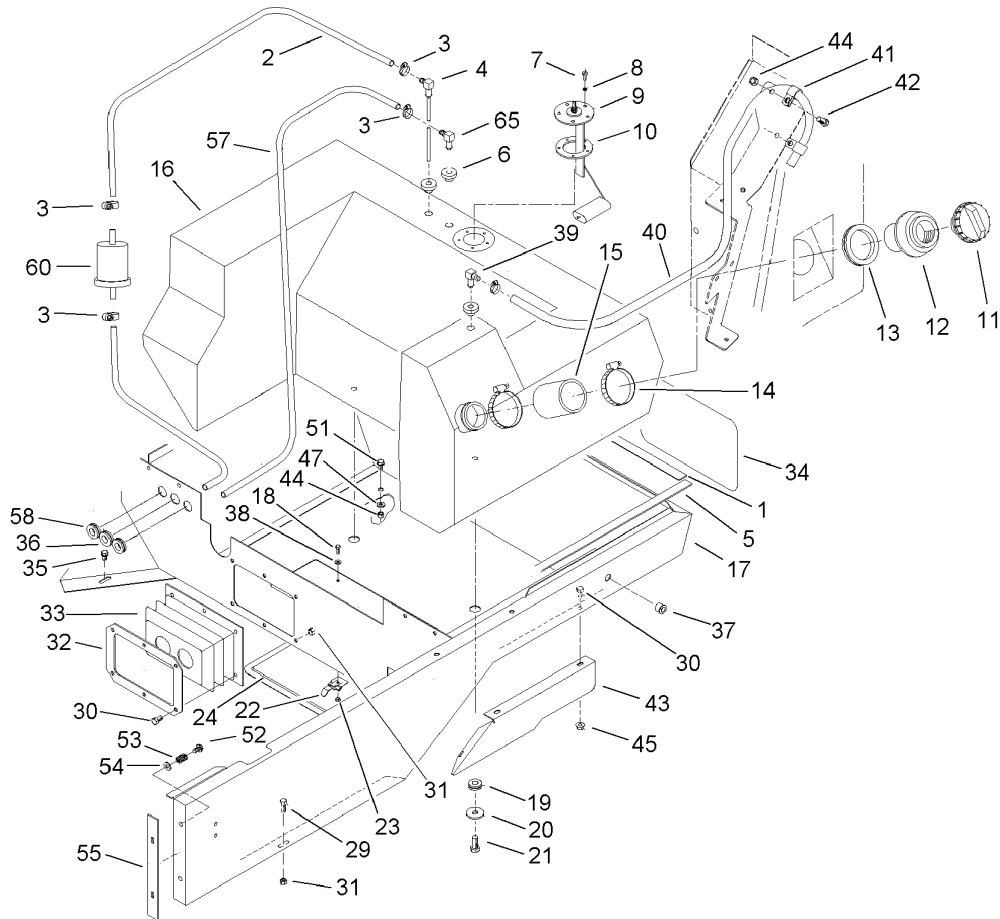
Ref	Part No.	Qty.	Description
1	108-3812	1	Filter-Air
2	108-3813	1	Filter-Air
3	87-9400	1	Valve-Vacuator
4	108-1448	1	Cover ASM

--	--	--	--



Fuel Filter Assembly No. 104-5218

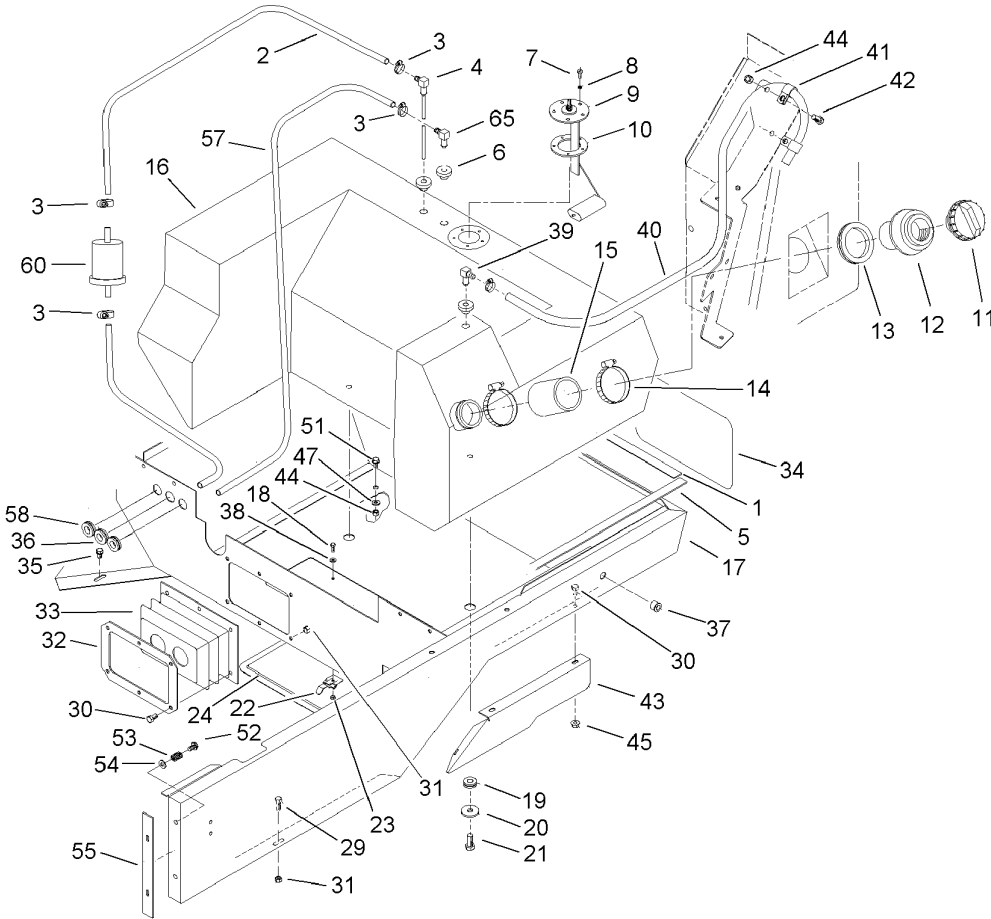
Ref	Part No.	Qty.	Description
1	98-9772	1	Head-Filter
2	98-9764	1	Element
3	98-9774	1	O-Ring-Base, Filter
4	98-9775	1	Base-Filter
6	237-42	1	O-Ring
7	237-78	1	O-Ring
8	98-9776	1	Plug-Head, Filter
9	98-9777	1	Drain Valve ASM
10	104-5219	1	Probe-Water



Fuel Tank and Lower Body Assembly

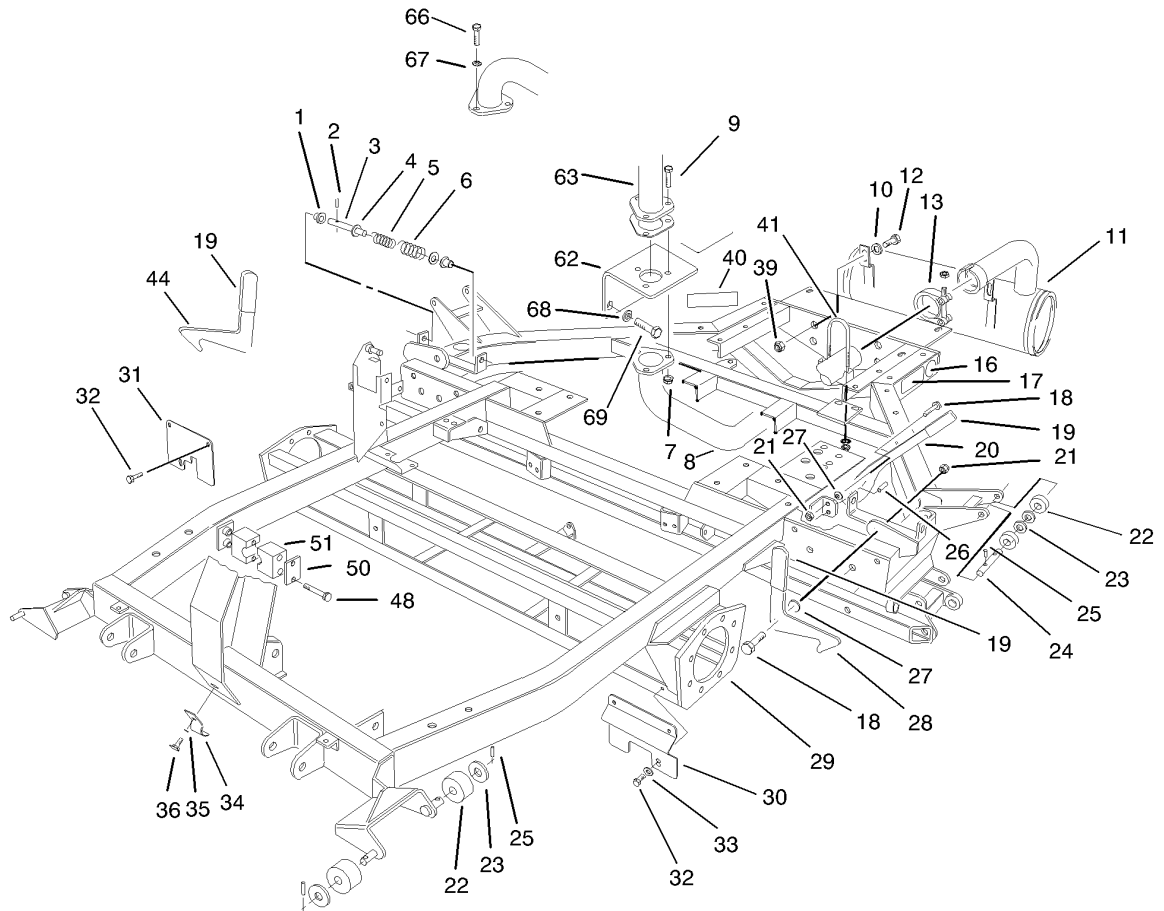
Ref	Part No.	Qty.	Description
1	92-5671	1	Strip-Sealing
2	94-1348	1	Hose-Fuel
3	2412-108	5	Clamp-Worm
4	92-9266	1	Standpipe
5	92-5670	2	Strip-Sealing
6	46-6560	3	Bushing
7	32122-24	5	Screw-Pth
8	3253-15	5	Washer-Lock
9	92-9267	1	Sender-Fuel
10	62-7650	1	Gasket
11	93-3102	1	Cap-Fuel
12	92-5674	1	Neck-Fill, Fuel
13	92-5675	1	Grommet
14	2412-42	2	Clamp-Hose
15	92-9272	1	Hose-Fill, Fuel
16	93-1402	1	Tank-Fuel
17	104-5266-03	1	Body-Lower
18	32144-1	4	Screw-Taptite
19	240-11	2	Bushing-Flange
20	63-8410	2	Washer
21	323-5	2	Screw-HH
22	52-9590	4	Latch-Screen
23	3296-12	4	Nut-Lock
24	92-5654-03	1	Panel-Out, Clean

Ref	Part No.	Qty.	Description
29	3234-4	1	Screw-HHF
30	321-2	9	Screw-HH
31	3296-56	7	Nut-Lock, NI
32	92-5653-03	1	Ring-Clamp
33	92-5269	1	Bellows
34	92-1242	1	Decal
35	3234-13	2	Screw-HHF
36	240-9	3	Grommet
37	32148-9	2	Insert-Nut
38	3256-51	4	Washer-Flat
39	46-6550	1	Fitting-Hyd, 90 DEG
40	92-9283	1	Hose-Fuel
41	92-6064	2	R Clamp
42	322-3	2	Screw-HH
43	92-6069-03	1	Shield-Exhaust
44	3296-29	4	Nut-Lock, NI
45	32128-33	3	Nut-HF
47	3256-23	2	Washer-Flat
51	3234-17	2	Screw-HHF
52	94-8270	4	Bolt-Shoulder
53	63-4220	4	Spring-Compression
54	3256-78	4	Washer-Flat
55	94-8258	2	Strip-Seal
57	100-6588	1	Hose-Return



Fuel Tank and Lower Body Assembly (continued)

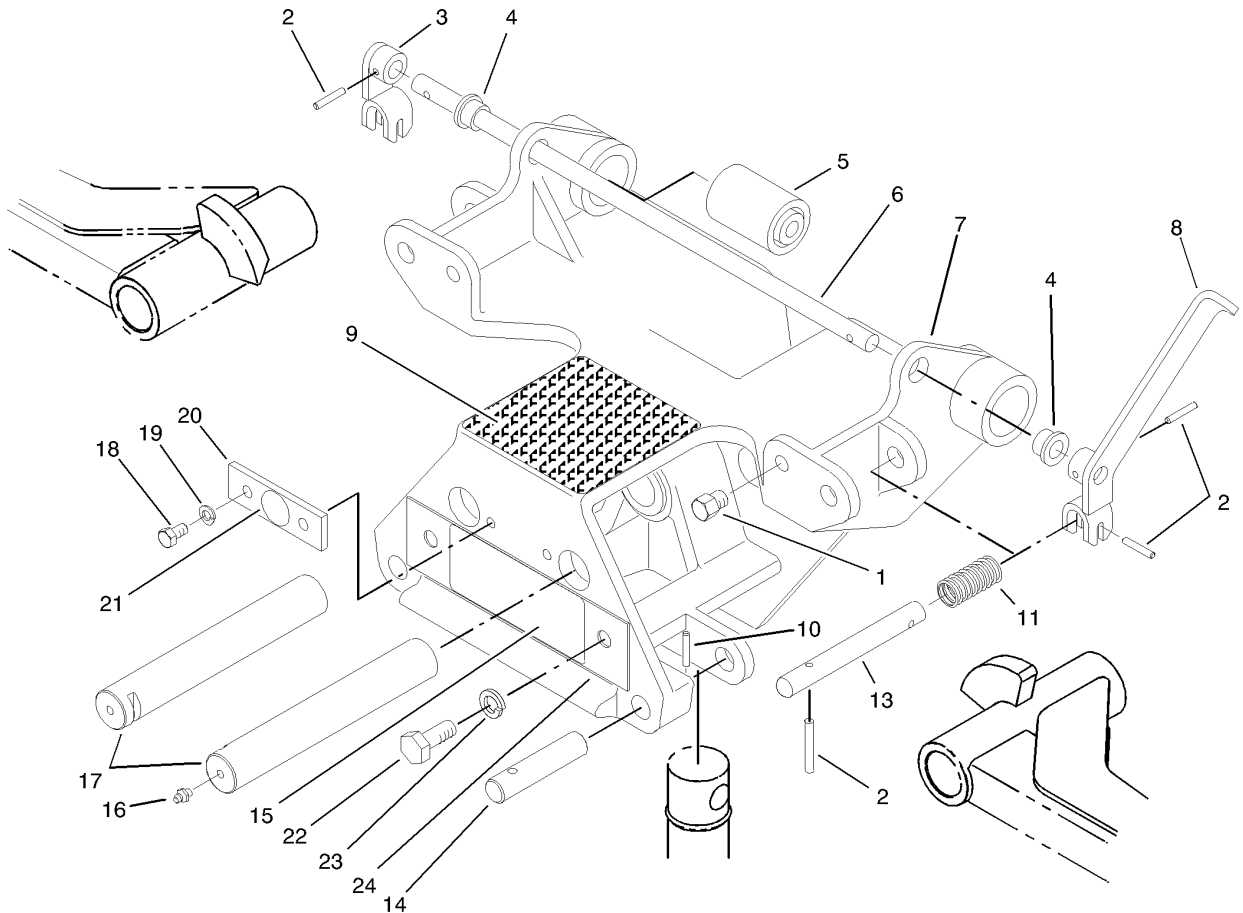
Ref	Part No.	Qty.	Description
58	60-4350	1	Grommet
60	98-7612	1	Filter-Fuel
65	104-5228	1	Elbow-90 DEG



Frame and Muffler Assembly

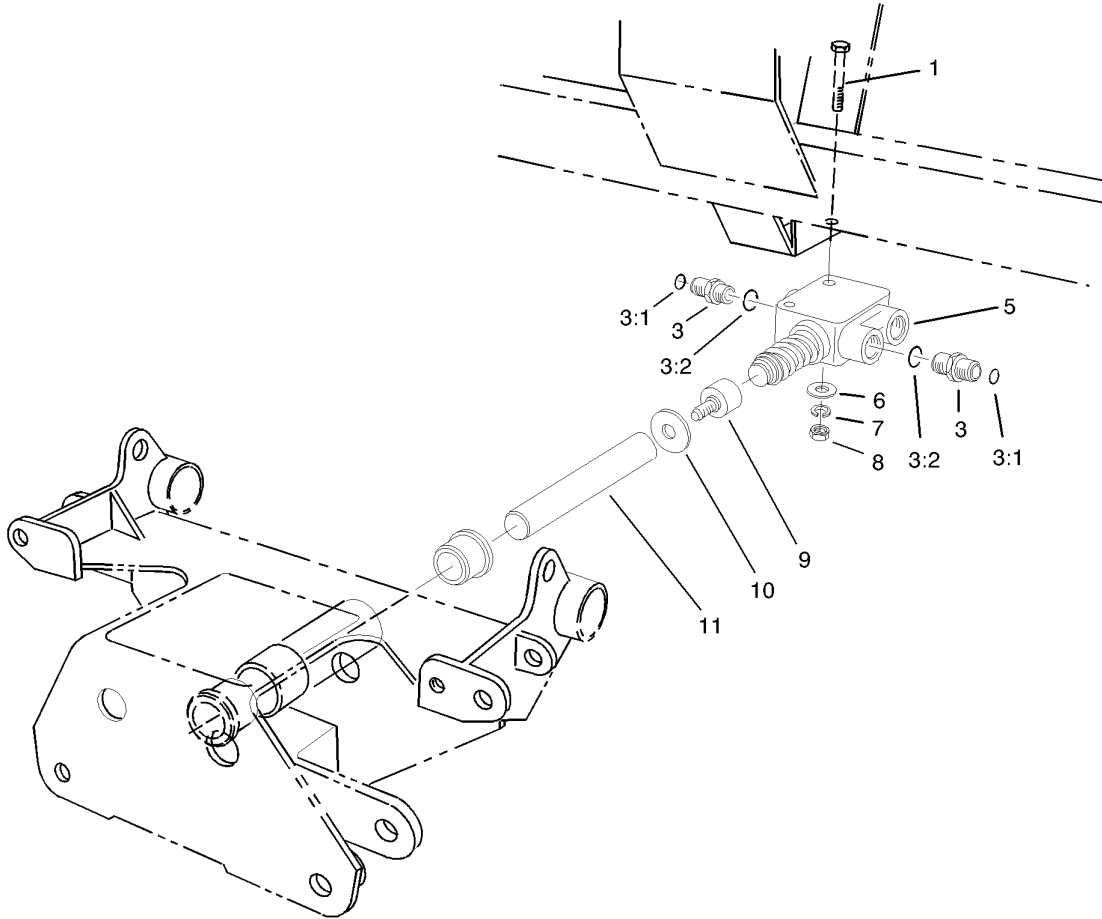
Ref	Part No.	Qty.	Description
1	58-2800	4	Bushing
2	60-3720	2	Pin-Roll
3	58-2810	2	Rod
4	3256-7	4	Washer-Flat
5	48-6780	2	Spring-Compression
6	60-1240	2	Spring
7	3296-29	3	Nut-Lock, NI
8	98-1230-03	1	Tube-Lower
9	322-7	3	Screw-HH
10	3256-24	4	Washer-Flat
11	92-5273	1	Muffler
12	323-9	4	Screw-HH
13	2412-132	1	Clamp
16	58-6520	3	Decal-Grease
17	93-9405	2	Decal-Pressure, Air
18	33116-030	3	Screw-HH
19	48-7081	3	Grip-Plastic
20	86-6570-03	1	Latch
21	51-2070	3	Nut
22	82-4910	8	Roller
23	51-2060	8	Washer
24	60-0160	2	Pin
25	60-2110	8	Pin
26	48-8830	1	Pin-Expansion

Ref	Part No.	Qty.	Description
27	48-8850	3	Spring-Disc
28	86-6590-03	1	Latch-LH
29	94-8268-01	1	Frame ASM
30	60-4190-03	1	Shield-Grass, LH
31	60-4200-03	1	Shield-Grass, RH
32	48-6900	6	Screw
33	33093-00	2	Washer-Flat
34	60-2080	1	Clamp-Hose
35	42-9850	1	Washer-Lock, Spring
36	48-7680	1	Screw-HH
39	3296-39	4	Nut-Lock, NI
40	88-6700	1	Decal-Ansi
41	76-3560	1	Clamp
44	86-6580-03	1	Latch-RH
48	321-9	2	Screw-HH
50	82-2980	1	Plate-Cover
51	82-2990	2	Clamp-Half
62	98-1246-03	1	Bracket-Exhaust
63	98-1231-03	1	Tube-Upper
66	33114-025	3	Screw-HH
67	42-9850	3	Washer-Lock, Spring
68	43-5940	2	Lockwasher-Spring
69	42-9250	2	Bolt



Front Carrier Assembly

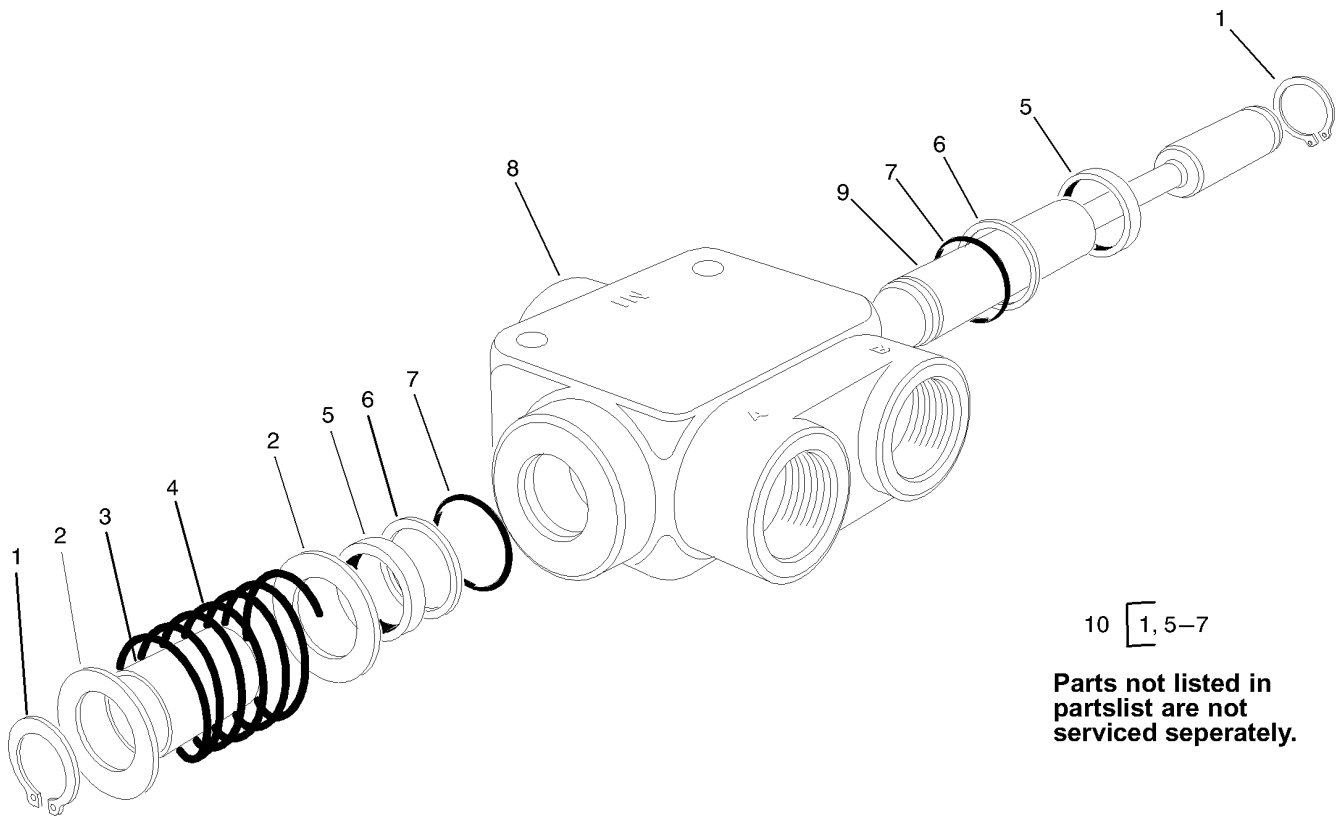
Ref	Part No.	Qty.	Description
1	82-9250	2	Stud-Threaded
2	60-2000	6	Pin
3	60-1750-03	1	Lever-Latching, RH
4	60-1990	2	Bushing
5	47-7010	2	Bushing-Rubber
6	60-1820	1	Shaft-Pivot, Latch
7	74-2920-03	1	Carrier-Front
8	60-1780-03	1	Lever-Latching, LH
9	82-9370	1	Pad-Step, Front
10	32121-84	2	Pin-Coil
11	60-0670	2	Spring
13	82-9360	2	Rod-Latch
14	58-2720	2	Pin
15	93-9400	1	Decal-Danger
16	302-5	2	Fitting-Grease
17	60-0090	2	Pin-Pivot, Lift Arms No. 1,2,3
18	322-2	2	Screw-HH
19	3253-4	2	Washer-Lock
20	60-0190	1	Strip
21	58-6520	1	Decal-Grease
22	325-2	2	Screw-HH
23	3253-7	2	Washer-Lock
24	84-6480	1	Plate-Decal



Front Reel Shut-Off Assembly

Ref	Part No.	Qty.	Description
1	322-12	2	Screw-HH
3	340-7	3	Adapter
3:1	237-65	1	O-Ring
3:2	237-80	1	O-Ring
5	58-5460	1	Valve-Selector
6	3256-23	2	Washer-Flat
7	3253-4	2	Washer-Lock
8	3217-6	2	Nut-Hex
9	59-7140	1	Bushing-Rubber
10	3256-68	3	Washer-Flat
11	60-0300	1	Rod-Push

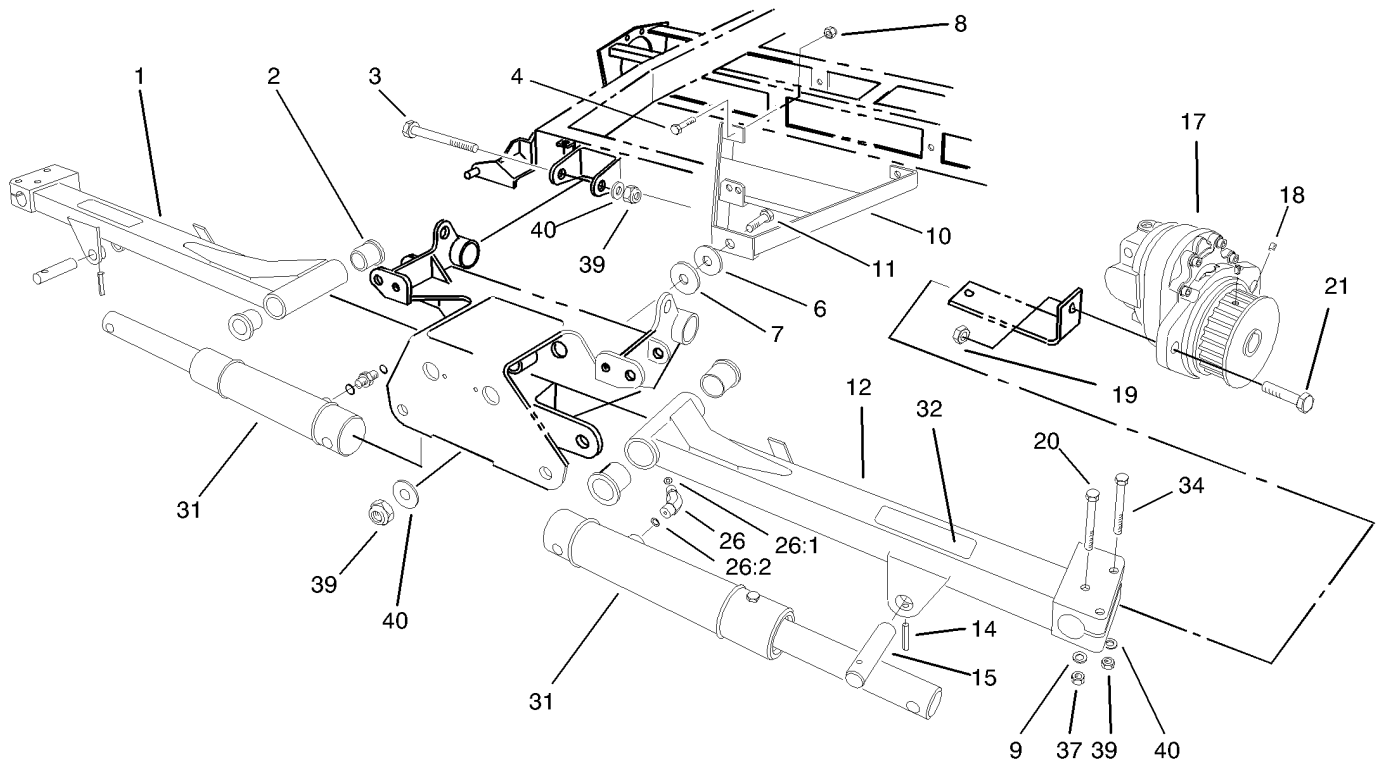
--	--	--	--



10 1, 5-7
Parts not listed in partslist are not serviced seperately.

Reel Shut-Off Valve Assembly No. 58-5460

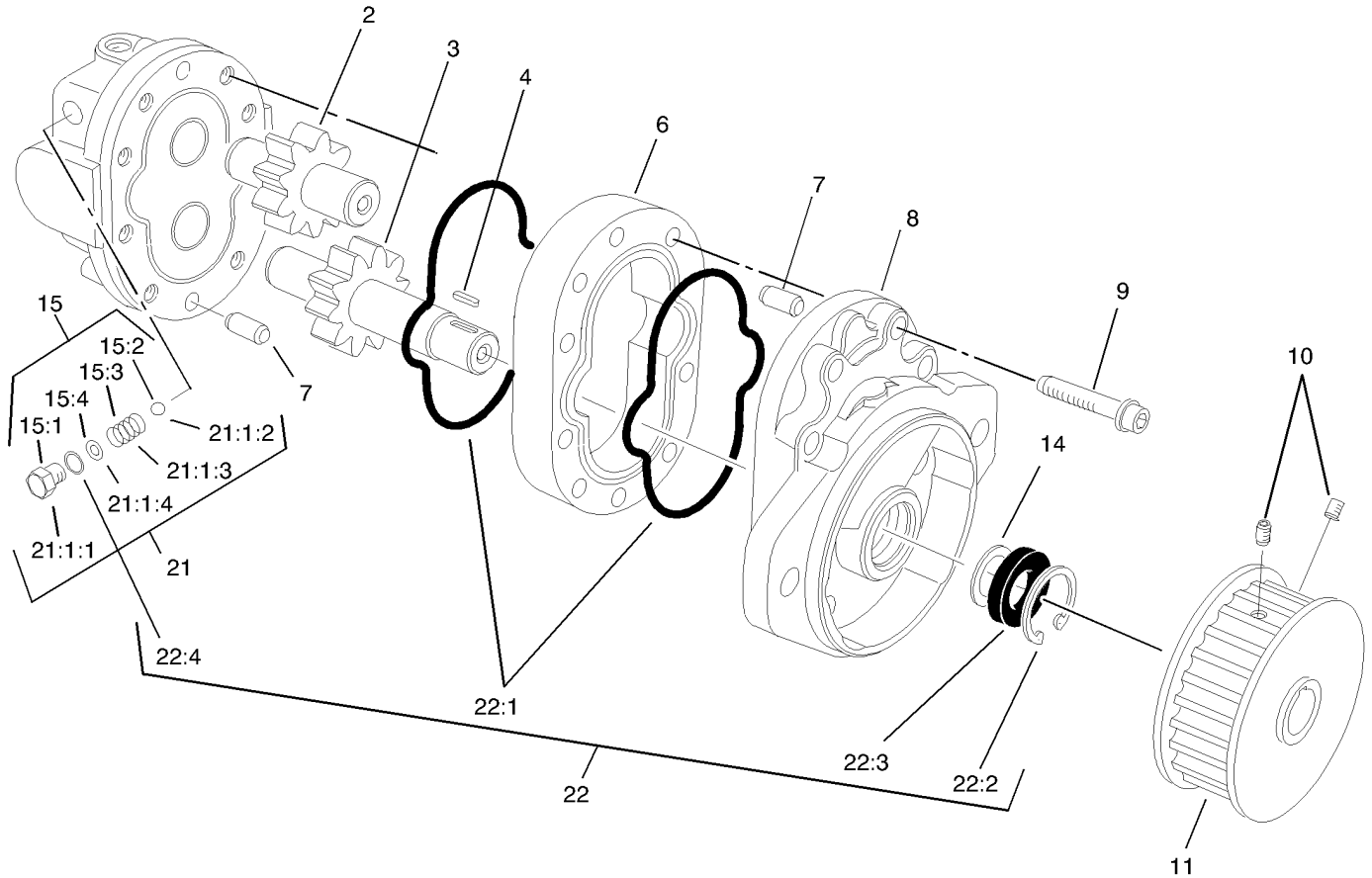
Ref	Part No.	Qty.	Description	
2	59-7820	2	Washer	
②3		1	Spacer	
4	59-7840	1	Spring	
②8		1	Body	
②9		1	Spool	
10	59-7890	1	Seal Repair Kit	



Front Lift Arm and A-Frame Assembly

Ref	Part No.	Qty.	Description
1	92-9291-01	1	Arm-Lift, No. 3
2	68-6480	4	Bushing-Flange
3	325-17	2	Screw-HH
4	323-7	2	Screw-HH
6	52-6180	3	Spacer
7	60-3250	1	Washer
8	3290-357	2	Nut-HHF
9	3256-56	2	Washer-Flat
10	92-9246-03	1	A-Frame
11	325-7	1	Screw-HH
12	92-9290-01	1	Arm-Lift, No. 2
14	60-1280	2	Pin
15	58-4380	2	Pin
17	93-1412	2	HYD Motor ASM
18	3246-17	4	Setscrew-HSH
19	3296-48	2	Nut-Lock, NI
20	323-14	2	Screw-HH
21	324-6	2	Screw-HH
26	340-87	2	Fitting-Hyd, 45 DEG
26:1	237-22	1	O-Ring
26:2	237-42	1	O-Ring
31	104-5225	2	Cylinder-HYD
32	93-7331	2	Decal-Warning
34	325-34	4	Screw-HH

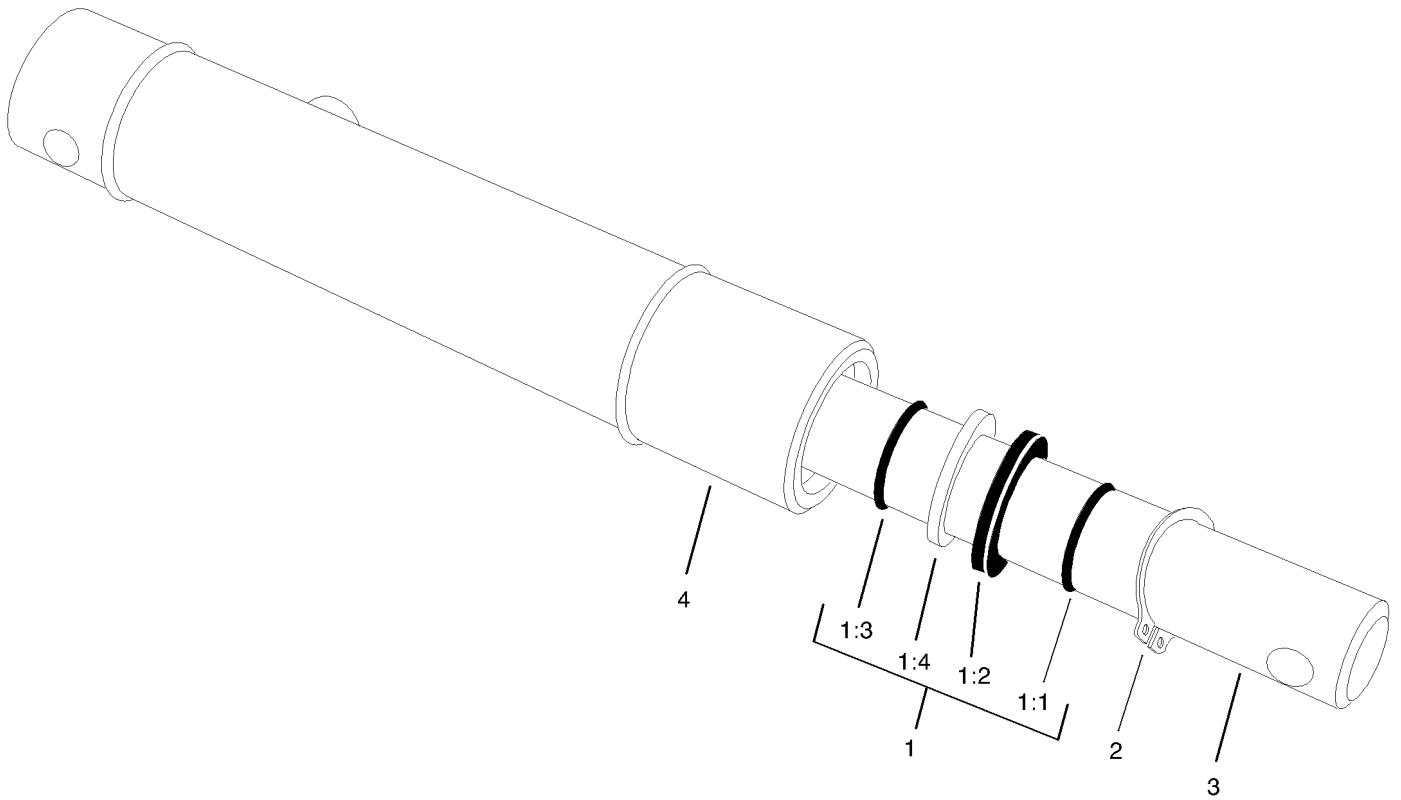
Ref	Part No.	Qty.	Description
37	3296-39	2	Nut-Lock, NI
39	3296-23	7	Nut-Lock, NI
40	3256-26	7	Washer-Flat



Reel Motor Assembly No. 93-1412

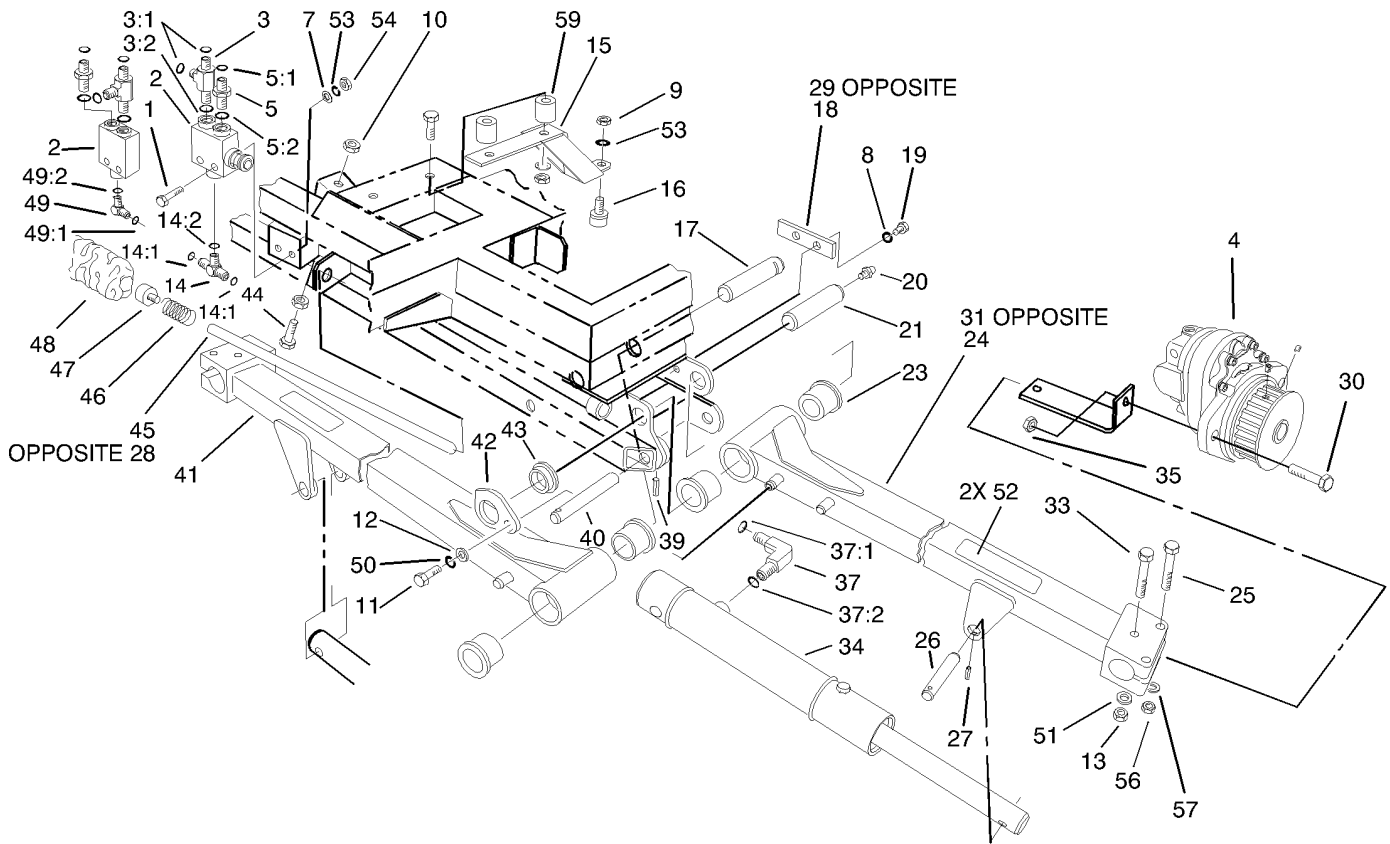
Ref	Part No.	Qty.	Description
2	66-5750	1	Idler Gear ASM
3	66-5760	1	Drive Gear ASM
4	47-2380	1	Key-Square
6	66-5740	1	Body ASM
7	42-2010	2	Pin-Dowel
8	66-5730	1	Front Plate ASM
9	66-5770	8	Capscrew
10	3246-17	2	Setscrew-HSH
11	47-7150	1	Pulley-Drive
14	60-5890	1	Washer
15	92-9260	2	Relief Valve Kit
● 15:1		2	Plug
● 15:2		2	Ball
● 15:3		2	Spring
● 15:4		2	Shim
21	92-9259	1	Backplate ASM
● 21:1:1		2	Plug
● 21:1:2		2	Ball
● 21:1:3		2	Spring
● 21:1:4		2	Shim
22	93-1413	1	Seal Kit
22:1	59-8420	2	Ring
22:2	59-8320	1	Ring-Retaining
22:3	66-5710	1	Seal-Shaft

Ref	Part No.	Qty.	Description
● 22:4		2	O-Ring



Hydraulic Cylinder Assembly No. 104-5225

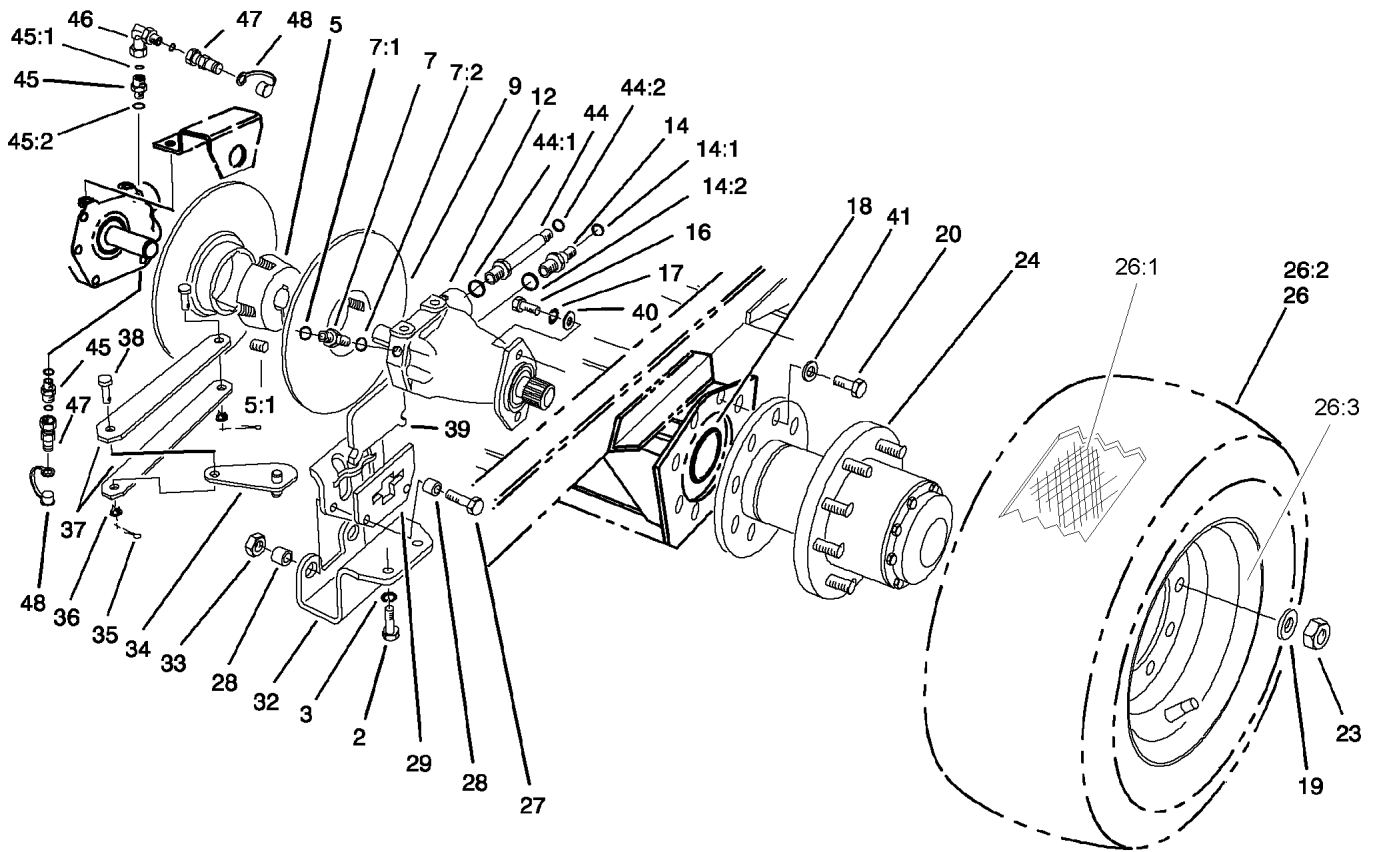
Ref	Part No.	Qty.	Description
1	104-5227	1	Repair Kit
②1:1		1	O-Ring
②1:2		1	Backup
②1:3		1	Seal-Rod
②1:4		1	Seal-Dust
2	76-0050	1	Retaining Ring
②3		1	Rod
②4		1	Barrel



Rear Lift Arm and Shut-Off Assembly

Ref	Part No.	Qty.	Description
1	322-12	4	Screw-HH
2	58-5460	2	Valve-Selector
3	340-22	2	Fitting-Hyd, Tee
3:1	237-65	2	O-Ring
3:2	237-80	1	O-Ring
4	93-1412	3	HYD Motor ASM
5	340-7	2	Adapter
5:1	237-65	1	O-Ring
5:2	237-80	1	O-Ring
7	3256-23	4	Washer-Flat
8	42-9850	4	Washer-Lock, Spring
9	33014-00	2	Nut-Hex
10	48-9530	2	Nut
11	323-6	2	Screw-HH
12	3256-3	2	Washer-Flat
13	3296-39	3	Nut-Lock, NI
14	340-93	1	Tee-Adapter
14:1	237-65	2	O-Ring
14:2	237-80	1	O-Ring
15	105-9271-01	2	Bracket-Bumper
16	48-3280	2	Stop-Bump
17	60-0090	1	Pin-Pivot, Lift Arms No. 1,2,3
18	60-0190	1	Strip
19	33114-016	4	Screw-HH

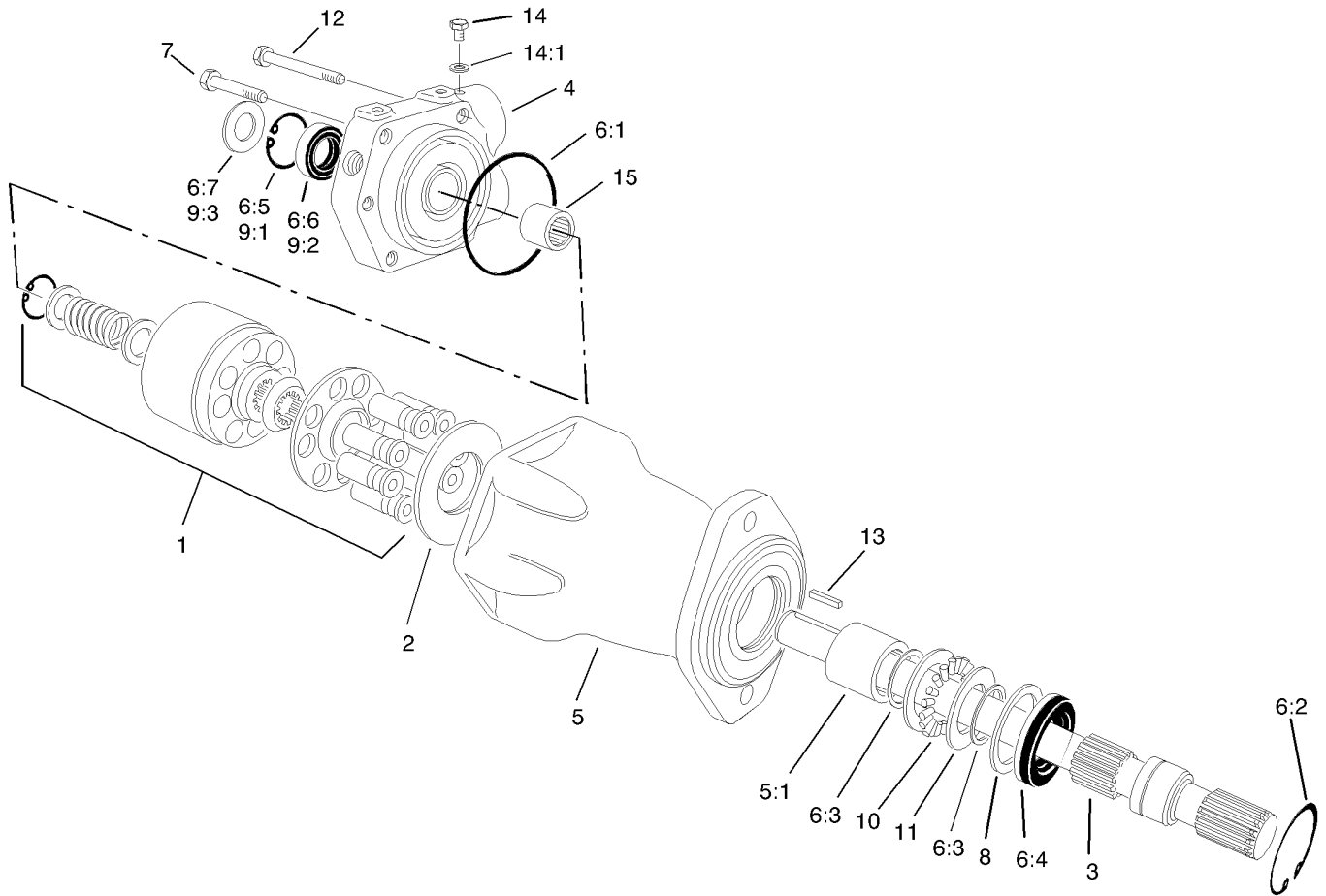
Ref	Part No.	Qty.	Description
20	302-5	3	Fitting-Grease
21	60-0100	2	Pin-Pivot, Lift Arms No. 4 & 5
23	68-6480	6	Bushing-Flange
24	92-9296-01	1	Arm-Lift, No. 4
25	325-34	6	Screw-HH
26	58-4380	3	Pin
27	60-1280	3	Pin
28	60-1350	1	Rod-Push, No. 5 Bypass Valve
29	60-1640	1	Strip
30	324-6	3	Screw-HH
31	92-9297-01	1	Arm-Lift, No. 5
33	323-14	3	Screw-HH
34	104-5225	3	Cylinder-HYD
35	3296-48	3	Nut-Lock, NI
37	340-77	3	Fitting-Hyd, 90 DEG
37:1	237-22	1	O-Ring
37:2	237-42	1	O-Ring
39	32121-84	3	Pin-Coil
40	58-2720	3	Pin
41	92-9289-01	1	Arm-Lift, No. 1
42	58-9210	2	Cam
43	60-0080	2	Bushing
44	53-5940	1	Screw
45	60-1340	1	Rod-Push, No. 4 Bypass Valve



Front Wheel and Motor Assembly

Ref	Part No.	Qty.	Description
2	322-3	4	Screw-HH
3	3253-4	4	Washer-Lock
5	23-1840	2	Bushing-Taperlock
5:1	60-6620	2	Screw-Set
7	340-2	2	Fitting-Hyd, Straight
7:1	237-22	1	O-Ring
7:2	237-42	1	O-Ring
9	58-0070	2	Disc Brake ASM
12	58-5430	2	Piston Motor ASM
14	340-9	2	Fitting-Hyd, Straight
14:1	237-58	1	O-Ring
14:2	237-81	1	O-Ring
16	323-18	4	Screw-HH
17	3253-5	4	Washer-Lock
18	353-949	2	O-Ring
19	3253-7	18	Washer-Lock
20	327-3	16	Screw-HH
23	3219-5	18	Nut-Hex
24	108-1434-03	2	Planetary Gear Drive ASM
26	66-5660	2	Wheel And Tire ASM
26:1	58-5620	1	Tube
26:2	63-4480	1	Tire
26:3	58-5610	1	Rim
27	323-20	4	Screw-HH

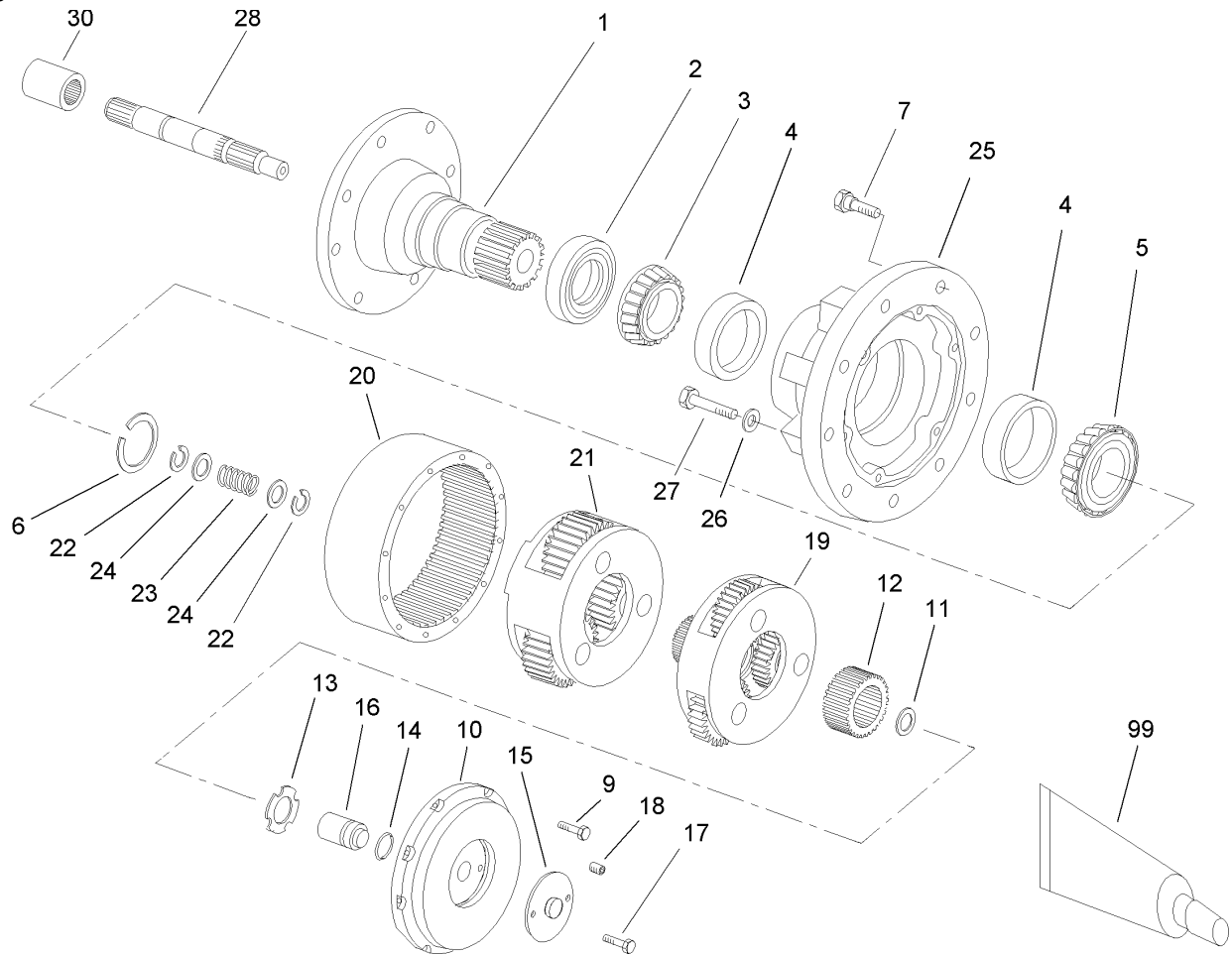
Ref	Part No.	Qty.	Description
28	58-3780	8	Tube-Space, Brake Calipers
29	29-1060	2	Bracket-Secondary
32	58-0110-03	2	Bracket-Caliper, Brake
33	3296-39	4	Nut-Lock, NI
34	29-1070	2	Lever ASM
35	3272-6	4	Pin-Cotter
36	60-1740	4	Nut
37	58-2300	4	Link-Brake
38	283-67	4	Pin-Clevis
39	29-1080	4	Stator ASM
40	3256-3	4	Washer-Flat
41	3253-8	16	Washer-Lock
44	92-6058	2	Fitting-HYD
44:1	237-81	1	O-Ring
44:2	237-58	1	O-Ring
45	98-1282	2	Adapter-Hyd, Straight
45:1	237-22	1	O-Ring
45:2	237-118	1	O-Ring
46	98-1281	1	Adapter-90 DEG
47	86-5480	2	Nipple-Test
48	353-947	2	Cap-Dust, Rubber



Wheel Motor Assembly No. 58-5430

Ref	Part No.	Qty.	Description
1	59-8340	1	Rotating Kit
2	59-8350	1	Camplate
3	59-8360	1	Shaft
4	59-8270	1	Plate
5	59-8300	1	Housing
5:1	94-6363	1	Bearing
6	59-8390	1	Seal Kit
6:1	59-8260	1	Ring
6:2	32151-13	1	Ring-Retaining
6:3	32151-29	2	Ring-Retaining
6:4	59-8370	1	Seal
6:5	59-8320	1	Ring-Retaining
6:6	49-2640	1	Seal-Shaft
6:7	84-6440	1	Shield-Grass
7	59-8290	3	Capscrew
8	33-3720	1	Washer
9	66-5840	1	Seal Kit
9:1	59-8320	1	Ring-Retaining
9:2	49-2640	1	Seal-Shaft
9:3	84-6440	1	Shield-Grass
10	252-66	1	Bearing-Thrust
11	252-71	1	Washer-Thrust
12	59-8280	3	Capscrew
13	59-8380	1	Key

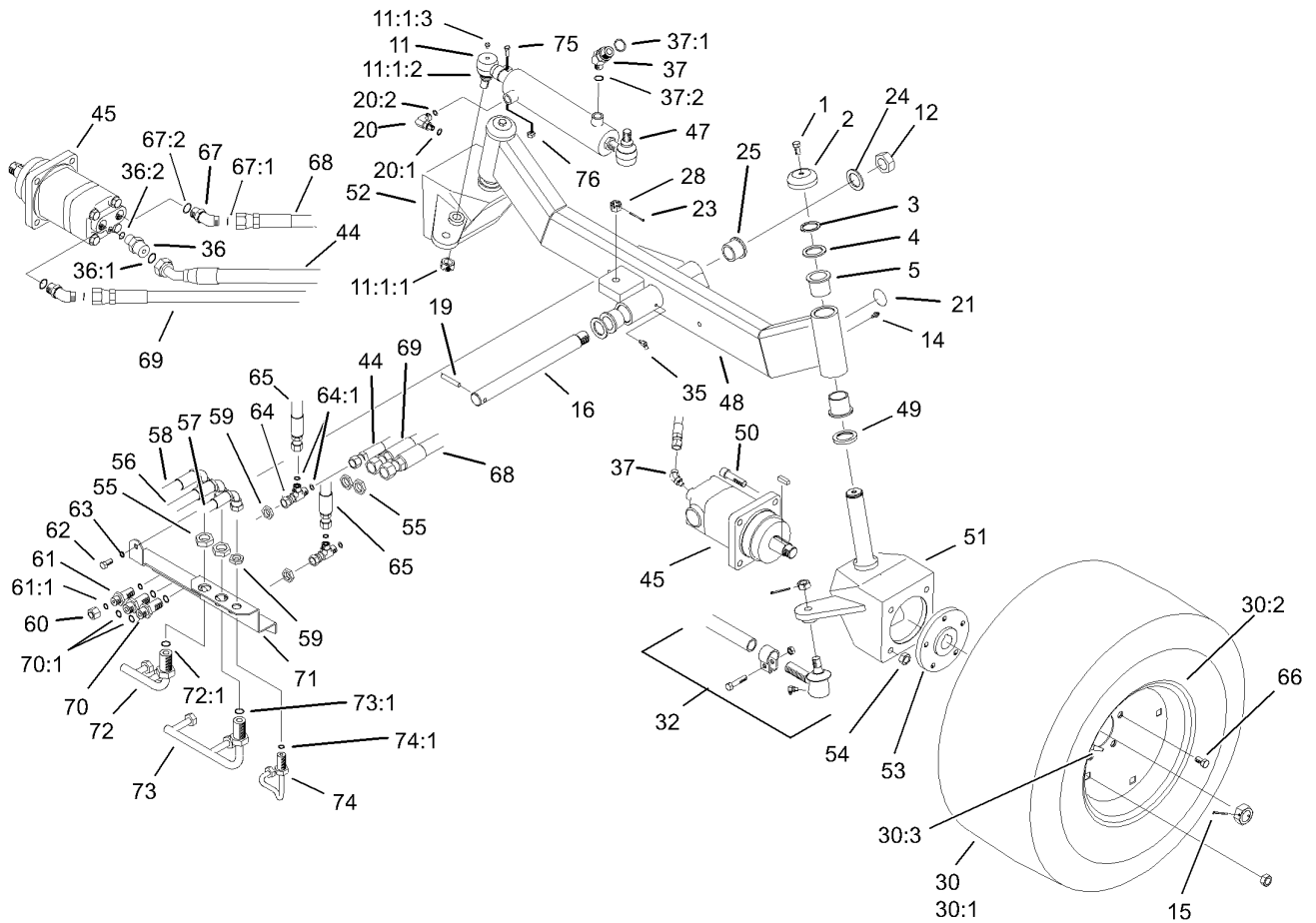
Ref	Part No.	Qty.	Description
14	353-948	2	Plug
14:1	237-118	1	O-Ring
15	94-6368	1	Bearing



Drive Gear Assembly No. 108-1434-03

Ref	Part No.	Qty.	Description
1	60-3820	1	Spindle
2	60-3830	1	Seal
3	60-3880	1	Cone
4	60-3850	1	Cup
5	60-3840	1	Cone
6	62-6450	1	Retaining Ring Kit
7	107-4341	9	Bolt-Wheel
9	98-8270	8	Bolt
10	107-4345	1	Cover
11	108-1445	1	Ring-Retaining
12	62-6430	1	Gear
13	60-3990	1	Washer
14	107-4346	1	O-Ring
15	60-4060	1	Cover
16	107-4347	1	Plunger
17	322-1	2	Screw-HH
18	60-4040	1	Plug
19	108-1443	1	Primary Carrier ASM
20	60-3900	1	Gear
21	108-1444	1	Secondary Carrier ASM
22	82-8700	2	Ring
23	60-3950	1	Spring
24	60-3940	2	Washer
25	107-4342	1	Hub

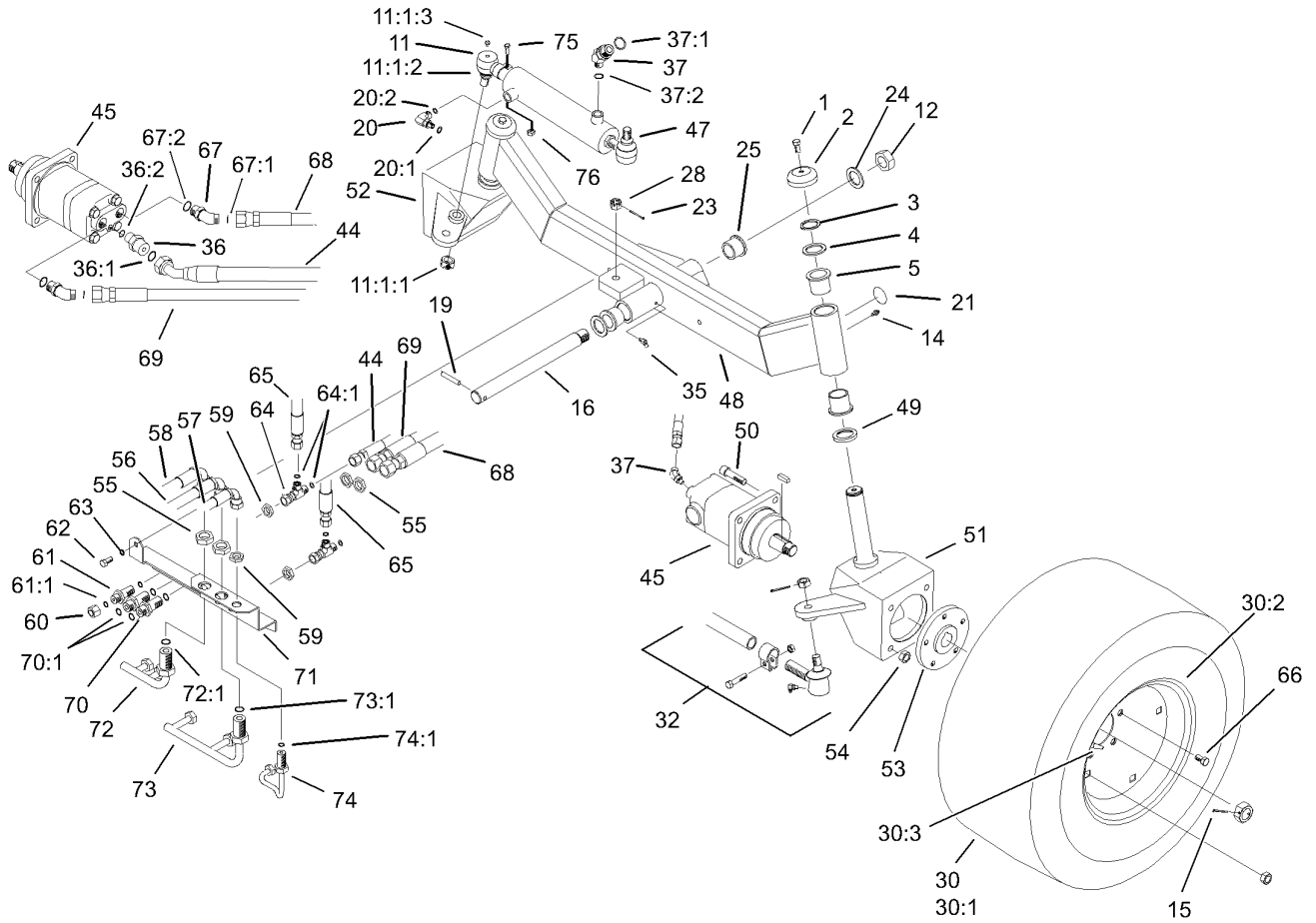
Ref	Part No.	Qty.	Description
26	60-3910	12	Washer
27	60-3890	12	Bolt
28	107-4340	1	Shaft-Input
30	60-3800	1	Coupling
99	62-6460	1	Sealant-R



Rear Axle Assembly

Ref	Part No.	Qty.	Description
1	3234-12	2	Screw-HHF
2	69-8890	2	Cap-Spindle
3	32151-10	2	Ring-Snap
4	256-304	2	Washer-Thrust
5	69-6470	4	Bushing-Castor
11	106-6895-03	1	Ball Joint ASM
11:1:1	32136-13	1	Nut-SHH
11:1:2	106-6896	1	Seal
11:1:3	302-5	1	Fitting-Grease
12	3296-49	1	Nut-Lock, NI
14	302-5	2	Fitting-Grease
15	3272-13	2	Pin-Cotter
16	82-9210	1	Shaft-Pivot
19	60-3670	1	Pin
20	340-97	1	Fitting-Hyd, 90 DEG
20:1	237-22	1	O-Ring
20:2	237-78	1	O-Ring
21	58-6520	2	Decal-Grease
23	3272-12	4	Pin-Cotter
24	48-6660	2	Washer
25	48-6640	2	Bearing
28	32136-13	2	Nut-SHH
30	69-9870	2	Wheel And Tire ASM
30:1	69-9880	1	Tire

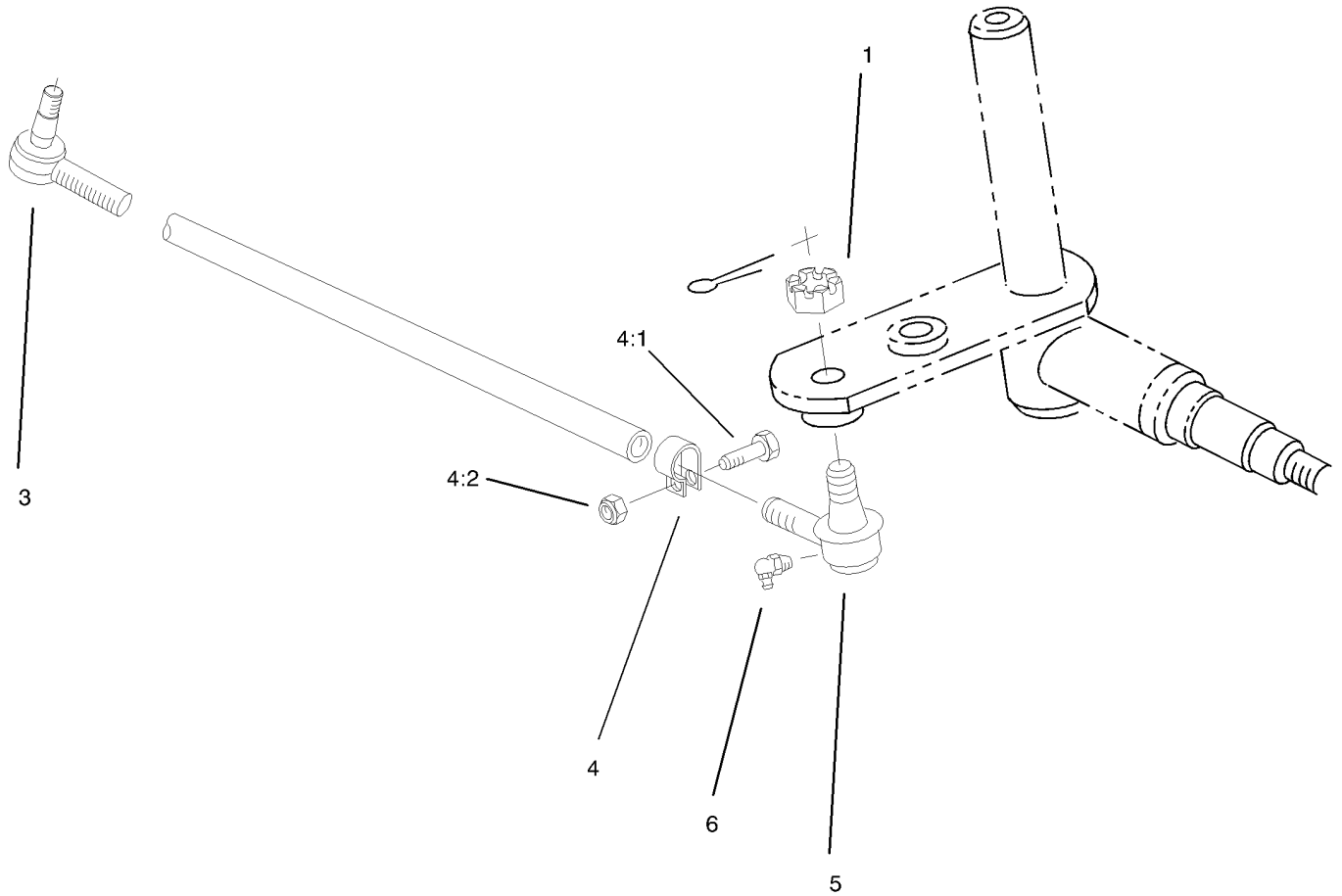
Ref	Part No.	Qty.	Description
30:2	217-116	1	Wheel
30:3	232-27	1	Stem-Valve
32	82-9260-03	1	Tie Rod ASM
35	302-11	1	Fitting-Lube, 45 DEG
36	340-88	1	Adapter
36:1	237-22	1	O-Ring
36:2	237-78	1	O-Ring
37	340-54	2	Elbow-45 DEG
37:1	237-22	1	O-Ring
37:2	237-78	1	O-Ring
44	104-5202	2	Hose ASM
45	104-5233	2	Motor-Wheel
47	92-6057	1	Cylinder-Steering
48	92-4755-03	1	Axle-Rear ASM
49	86-6560	2	Washer-Thrust
50	3274-5	8	Screw-HSH
51	92-4779-03	1	Housing-Motor, LH ASM
52	92-4787-03	1	Housing-Motor, RH ASM
53	92-4749-03	2	Hub-Wheel
54	3296-23	8	Nut-Lock, NI
55	340-74	6	Locknut-Bulkhead
56	92-5698	1	Hose ASM
57	92-5688	1	Hose ASM
58	92-5686	1	Hose ASM



Rear Axle Assembly (continued)

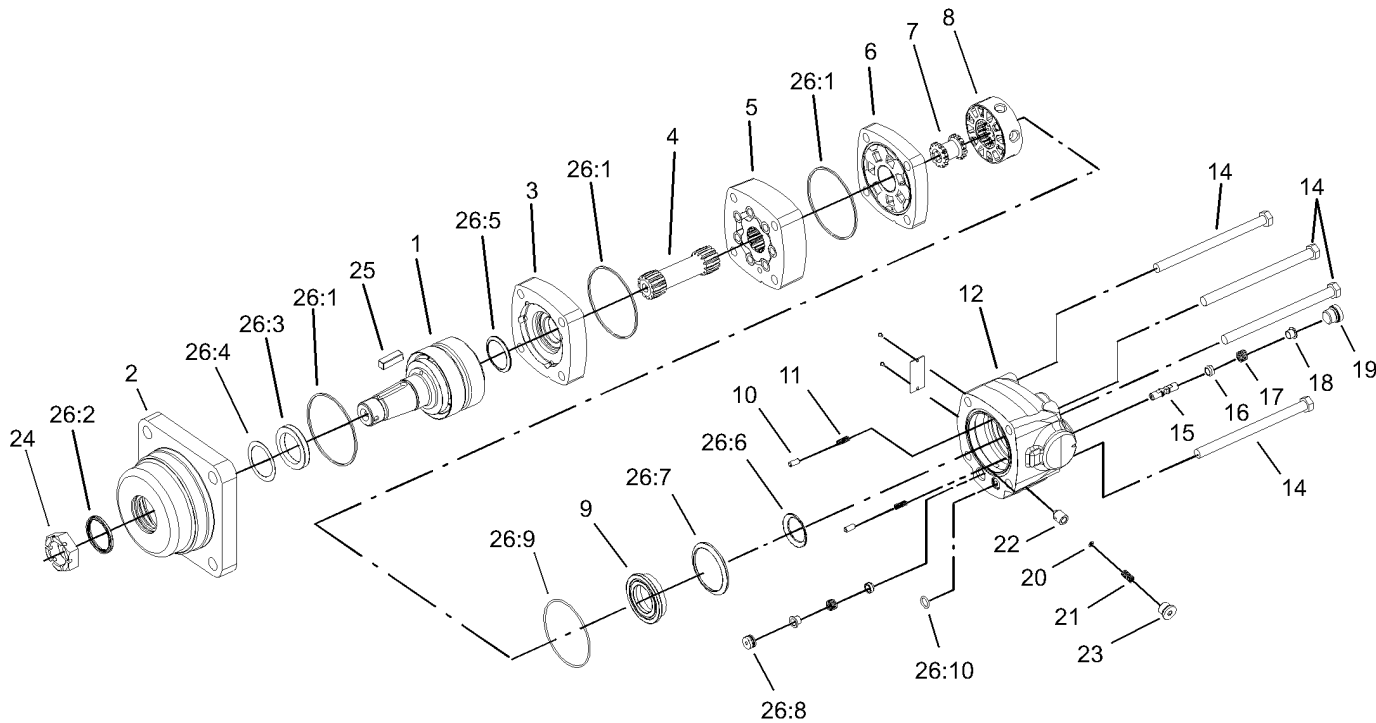
Ref	Part No.	Qty.	Description
59	340-70	3	Nut-Lock
60	340-117	1	Cap
61	340-71	2	Fitting-Straight, Bulkhead
61:1	237-22	2	O-Ring
62	323-4	2	Screw-HH
63	3253-21	2	Washer-Lock
64	340-115	2	Fitting-Tee
64:1	237-22	2	O-Ring
65	92-5665	1	Hose ASM
66	83-2720	10	Bolt-Lug
67	340-14	4	Fitting-Hyd, 45 DEG
67:1	237-65	1	O-Ring
67:2	237-80	1	O-Ring
68	94-8271	2	Traction Hose ASM
69	94-8272	2	Traction Hose ASM
70	340-76	4	Fitting-Bulkhead Union, Straight
70:1	237-65	2	O-Ring
71	94-8277-03	1	Bracket-Bulkhead
72	94-8275	1	Inner Tube ASM
72:1	237-65	1	O-Ring
73	94-8276	1	Outer Tube ASM
73:1	237-65	1	O-Ring
74	94-8278	1	Case Drain Tube ASM
74:1	237-22	1	O-Ring

Ref	Part No.	Qty.	Description
75	3210-7	1	Screw-HH
76	32152-5	1	Nut-Lock, Cone



Tie Rod Assembly No. 82-9260-03

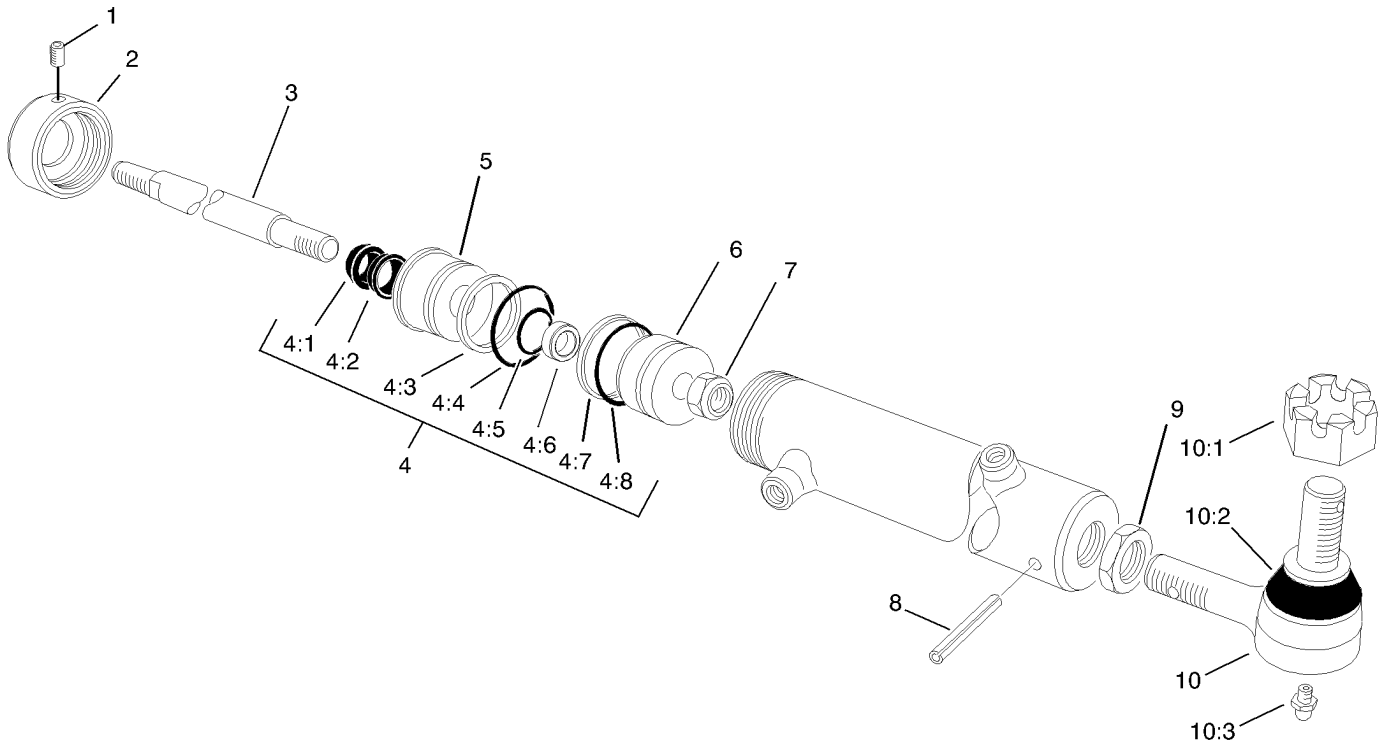
Ref	Part No.	Qty.	Description
1	32136-2	2	Nut-SHH
3	2116-4	1	Rod End-Tie
4	2412-7	2	Clamp ASM
4:1	325-8	1	Screw-HH
4:2	3296-23	1	Nut-Lock, NI
5	2116-3	1	Rod End-Tie
6	302-33	2	Fitting-Grease



Hydraulic Motor Assembly

Ref	Part No.	Qty.	Description
1	56-6860	1	Shaft ASM
2	56-6850	1	Housing-Bearing
②3		1	Plate-Wear
4	105-8145	1	Drive
5	105-8146	1	Geroter ASM
②6		1	Plate-Valve
7	36-6260	1	Drive-Valve
8	56-6830	1	Valve
9	105-8147	1	Plate-Balancing
10	105-8148	1	Pin
11	33-3410	1	Spring
②12		1	Housing-Valve
14	57-6030	4	Capscrew
15	105-9300	1	Piston
16	105-9301	2	Poppet
17	105-9302	2	Spring
18	105-9303	2	Dashpot
19	105-9304	1	Plug Sub ASM
20	105-9305	1	Shim
21	105-9306	1	Spring
22	105-9307	1	Poppet
23	105-9308	1	Plug Sub ASM
24	11-5800	1	Nut-Slotted
25	11-5790	1	Key-Square

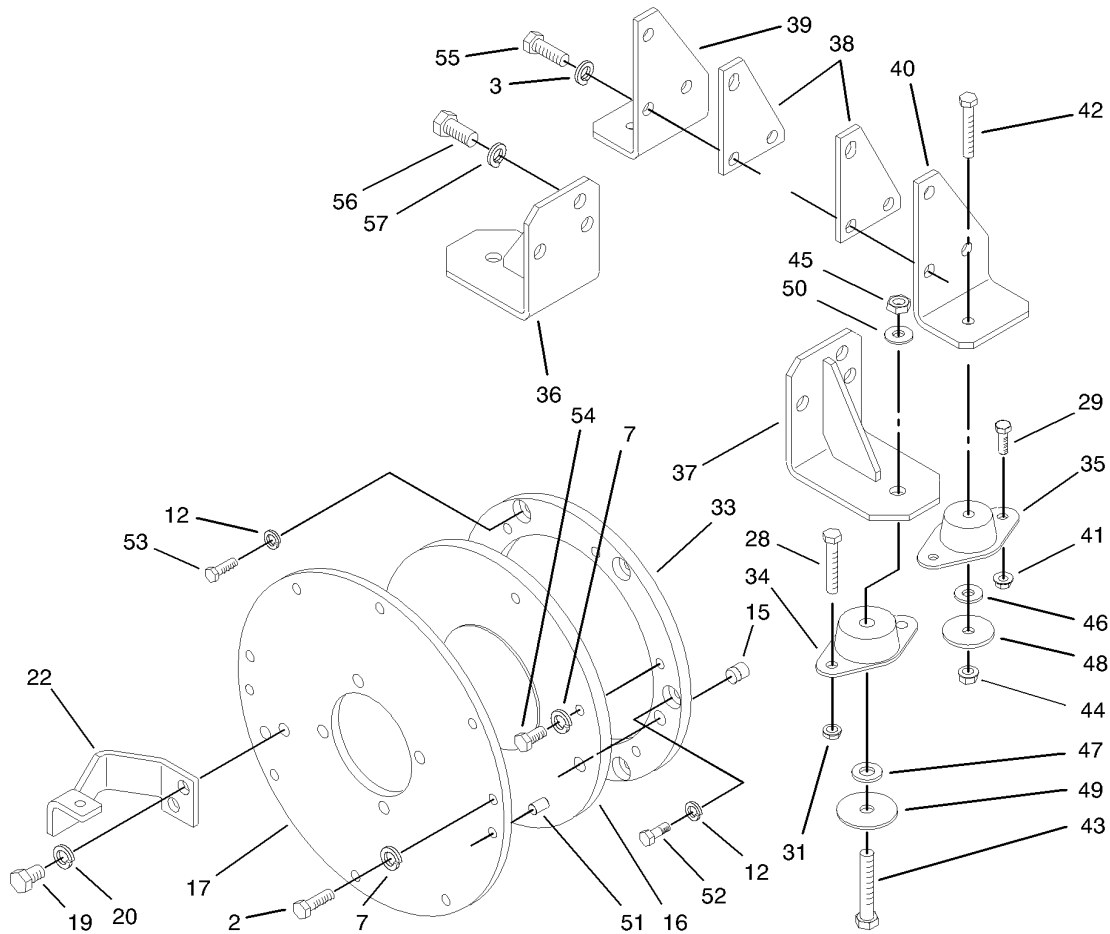
Ref	Part No.	Qty.	Description
①26	105-9309	1	Seal Kit
②26:1		3	O-Ring
②26:2		1	Seal-Shaft, Exclusion
②26:3		1	Seal-Shaft
②26:4		1	Ring-Backup
②26:5		1	Seal-Face, Shaft
②26:6		1	Seal-Face, Inner
②26:7		1	Seal-Face, Outer
②26:8		1	Plug
②26:9		1	O-Ring
②26:10		1	O-Ring



Hydraulic Cylinder Assembly

Ref	Part No.	Qty.	Description
1		1	Screw-Set
2		1	Cap
3		1	Rod
4	82-5800	1	Seal Kit
4:1		1	Wiper-Rod
4:2		1	U-Cup
4:3		1	Washer-Backup
4:4		1	O-Ring
4:5		1	O-Ring
4:6		1	Spacer
4:7		1	Servon
4:8		1	O-Ring
5		1	Head
6		1	Piston
7		1	Nut
8	32121-44	1	Pin-Roll
9	82-5740	1	Nut-Jam
10	82-5730	1	End-Rod, Tie
10:1	105-7941	1	Nut-Hex, Slotted
10:2	105-7835	1	Seal
10:3	302-5	1	Fitting-Grease

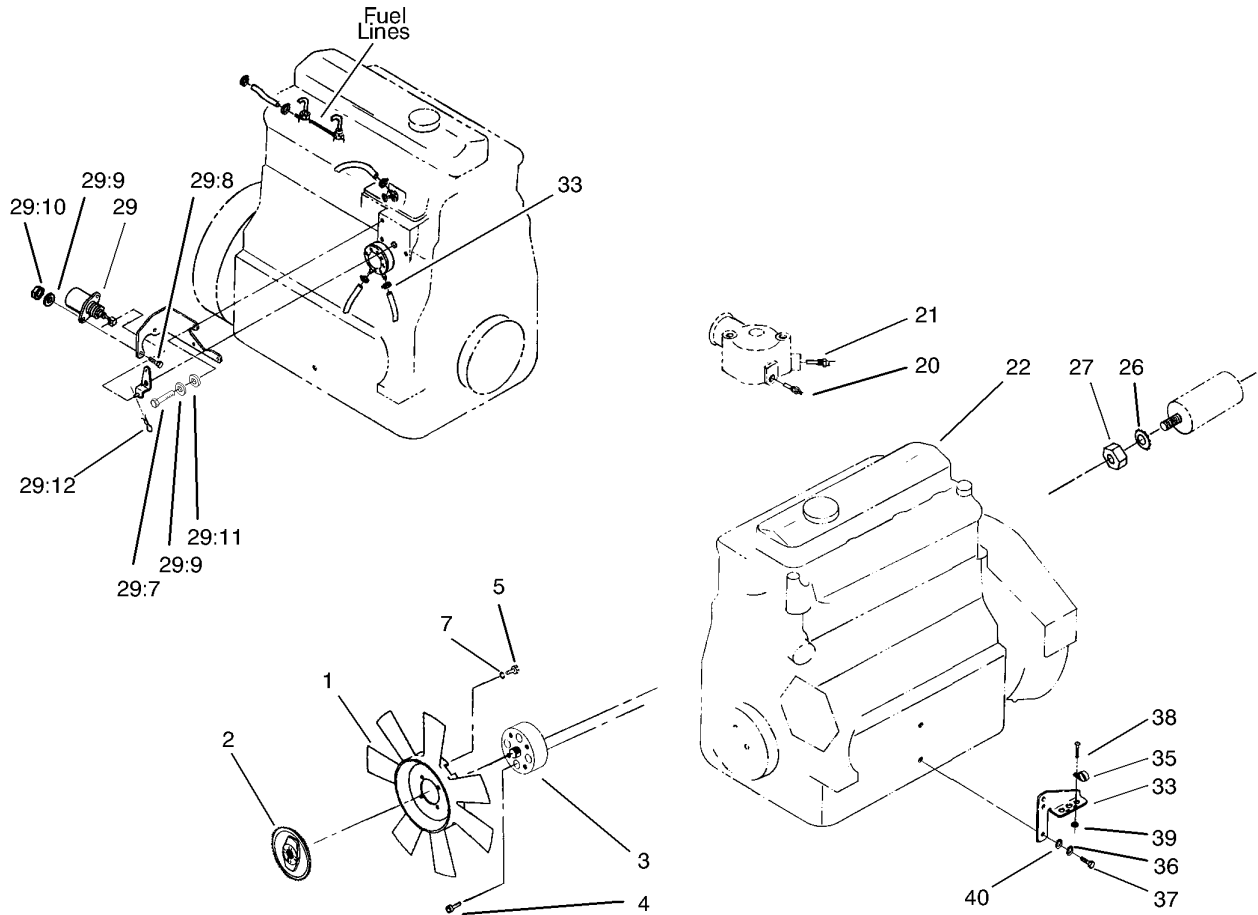
--	--	--	--



Engine Installation Assembly

Ref	Part No.	Qty.	Description
2	43-0090	8	Screw-HH
3	48-8070	6	Washer-Lock
7	48-9590	14	Washer-Lock
12	42-9850	6	Washer-Lock, Spring
15	58-3590	2	Dowel
16	92-1753	1	Coupling-Spring
17	98-1211-03	1	Plate-Adapter, Pump
19	3213-20	2	Screw-HH
20	3253-7	2	Washer-Lock
22	98-7066-03	1	Bracket-Damper
28	323-11	4	Screw-HH
29	322-5	4	Screw-HH
31	32128-21	4	Nut-HF
33	100-5633	1	Spacer-Coupling
34	98-3024	2	Mount-Engine
35	83-1030	2	Mount-Engine
36	98-1207-03	1	Bracket-Front, RH
37	98-1206-03	1	Bracket-Front, LH
38	98-1200-03	2	Spacer
39	98-1204-03	1	Bracket-Engine, RH Rear
40	98-1205-03	1	Bracket-Engine, LH Rear
41	32128-20	4	Nut-HF
42	323-11	2	Screw-HH
43	33116-070	2	Screw-HH

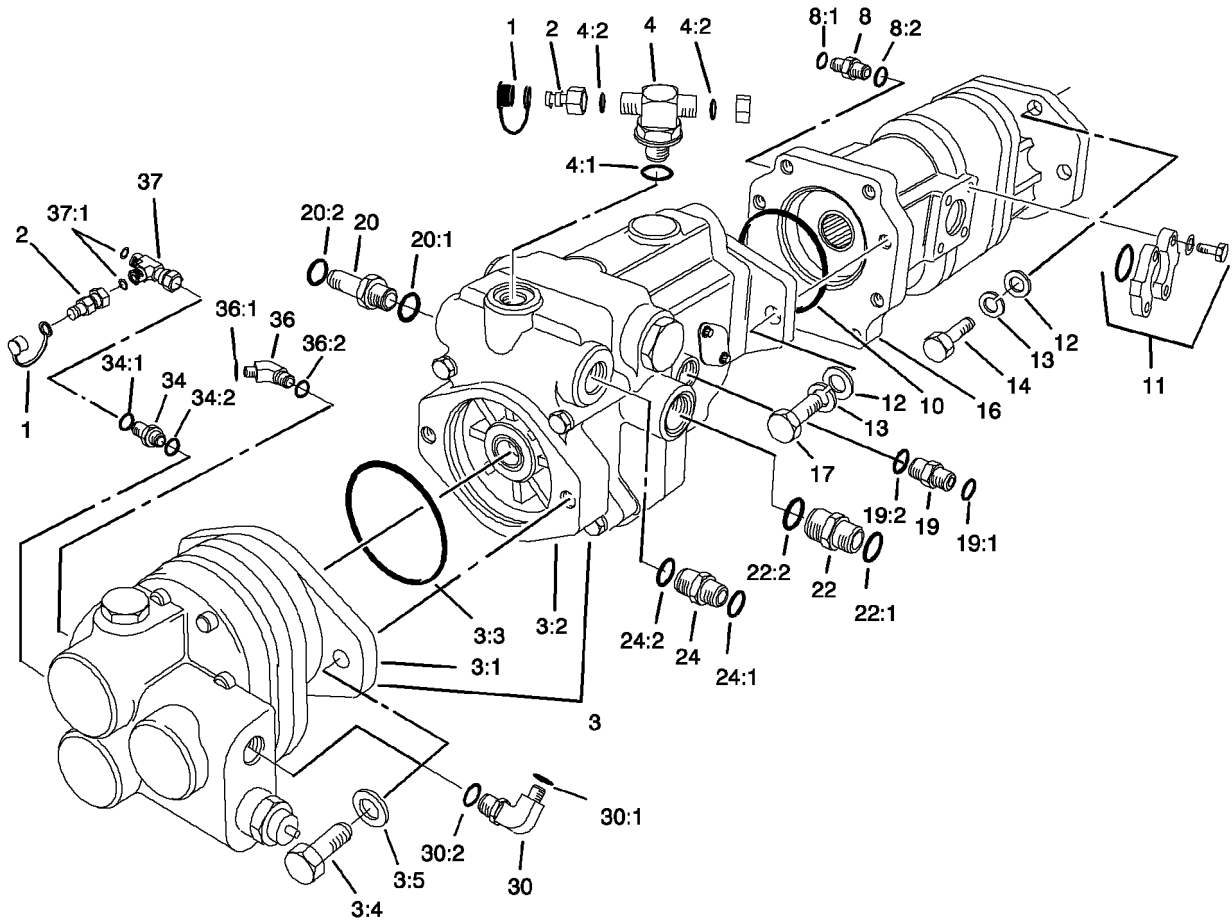
Ref	Part No.	Qty.	Description
44	32128-43	2	Nut-Flange
45	48-9530	2	Nut
46	80-6990	2	Washer-Hardened
47	3256-26	2	Washer-Flat
48	63-7400	2	Washer-Rebound
49	87-5100	2	Washer-Snubbing
50	43-5940	2	Lockwasher-Spring
51	98-1212	2	Pin-Plate, Pump
52	100-5634	2	Bolt-Shoulder
53	33114-020	4	Screw-HH
54	70-8470	6	Screw-HH
55	43-3180	6	Screw-HH
56	43-3210	6	Screw-HH
57	43-5950	6	Washer-Lock, Spring



Engine Attachment Assembly

Ref	Part No.	Qty.	Description
1	104-5269	1	Fan
2	93-1430	1	Drive-Fan
3	98-1242	1	Adapter-Fan
4	52-6290	4	Screw-HSH
5	322-2	8	Screw-HH
7	3253-4	8	Washer-Lock
20	98-3824	1	Switch-Temp
21	98-3825	1	Switch-Temp
22	104-5259	1	Engine-Kubota
26	3255-8	1	Washer-Lock
27	33014-00	1	Nut-Hex
29	98-3817	1	Solenoid Kit
29:7	33113-025	3	Screw-HH
29:8	33113-016	2	Screw-HH
29:9	48-8020	5	Washer-Spring
29:10	33013-00	2	Nut-Hex
29:11	33093-00	3	Washer-Flat
29:12	3272-2	1	Pin-Cotter
33	98-1293-03	1	Bracket-Line
35	2412-83	2	Clamp-Cable
36	43-5940	2	Lockwasher-Spring
37	42-9250	2	Bolt
38	32105-13	2	Screw-SHH
39	3296-2	2	Nut-Lock

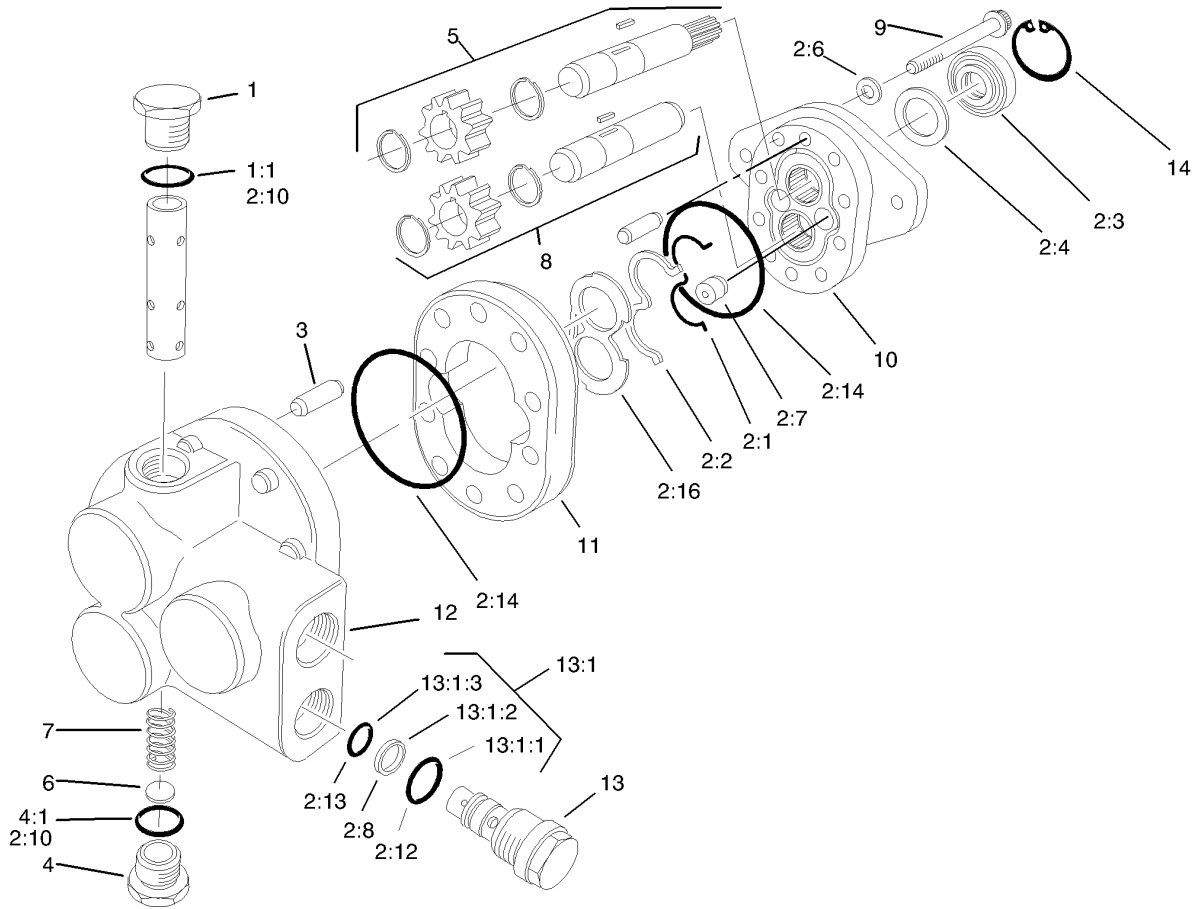
Ref	Part No.	Qty.	Description
40	3256-26	2	Washer-Flat



Hydraulic Pump Assembly

Ref	Part No.	Qty.	Description
1	353-947	2	Cap-Dust, Rubber
2	86-5480	2	Nipple-Test
3		1	Tandem Pump ASM
3:1	99-6495	1	Gear Pump ASM
3:2	99-6494	1	Variable Piston Pump ASM
3:3	60-3520	1	O-Ring
3:4	60-3530	2	Bolt
3:5	60-3540	2	Washer
4	92-4799	1	Fitting-Tee, HYD
4:1	237-79	1	O-Ring
4:2	237-22	2	O-Ring
8	340-8	1	Adapter
8:1	237-65	1	O-Ring
8:2	237-81	1	O-Ring
10	59-8550	1	O Ring
11	340-62	1	Flange Kit
12	87-7270	6	Washer-Thrust
13	3253-7	6	Washer-Lock
14	3213-2	4	Screw-HH
16	86-6000-01	1	Pump
17	325-5	2	Screw-HH
19	340-2	1	Fitting-Hyd, Straight
19:1	237-22	1	O-Ring
19:2	237-42	1	O-Ring

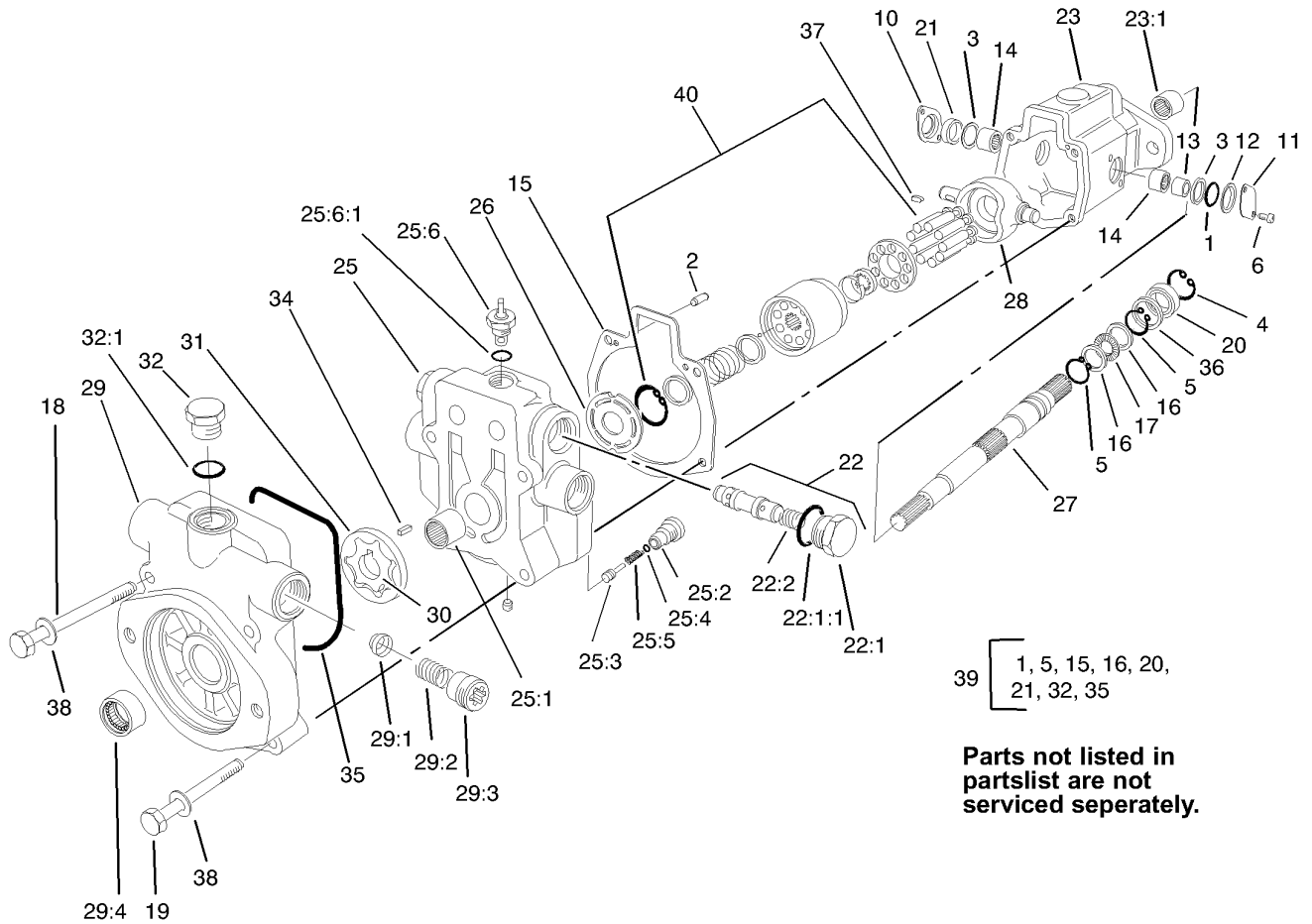
Ref	Part No.	Qty.	Description
20	92-6058	1	Fitting-HYD
20:1	237-81	1	O-Ring
20:2	237-58	1	O-Ring
22	340-9	1	Fitting-Hyd, Straight
22:1	237-58	1	O-Ring
22:2	237-81	1	O-Ring
24	340-4	1	Fitting-Hyd, Straight
24:1	237-30	1	O-Ring
24:2	237-79	1	O-Ring
30	340-15	1	Fitting-Hyd, 90 DEG
30:1	237-58	1	O-Ring
30:2	237-146	1	O-Ring
34	340-3	1	Adapter
34:1	237-22	1	O-Ring
34:2	237-79	1	O-Ring
36	340-89	1	Fitting-Hyd, 45 DEG
36:1	237-30	1	O-Ring
36:2	237-80	1	O-Ring
37	340-115	1	Fitting-Tee
37:1	237-22	2	O-Ring



Gear Pump Assembly No. 99-6495

Ref	Part No.	Qty.	Description
1	60-5860	1	Plug
1:1	60-5720	1	O-Ring
2	99-8594	1	Seal Kit
2:1	95-4367	1	Gasket
2:2	95-4369	1	Seal
2:3	49-2640	1	Seal-Shaft
2:4	60-5890	1	Washer
2:6	94-8160	4	Washer
2:7	94-3011	1	Plug
2:8	92-9256	1	Washer-Backup
2:10	60-5720	2	O-Ring
2:12	92-9255	1	O-Ring
2:13	92-9254	1	O-Ring
2:14	56-6710	2	O-Ring
2:16	95-4368	1	Plate-Wear
3	60-5760	1	Pin
4	60-5710	1	Plug
4:1	60-5720	1	O-Ring
5	99-8591	1	Drive Gear ASM
6	60-5730	1	Disc
7	60-5820	1	Spring
8	99-8592	1	Idler Gear ASM
9	42-3140	8	Capscrew
10	95-4362	1	Plate-Front

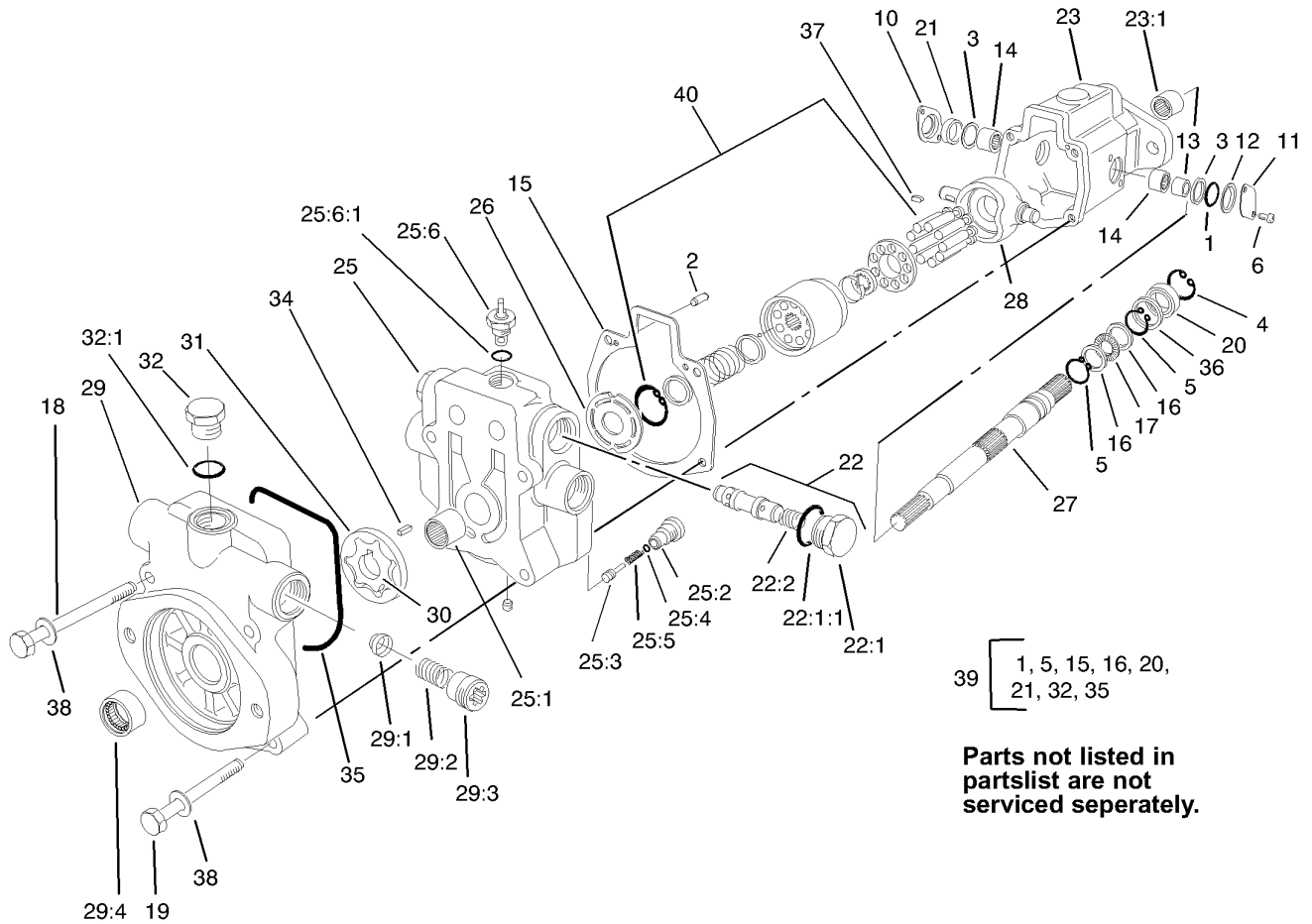
Ref	Part No.	Qty.	Description
11	99-8589	1	Body ASM
12	99-8590	1	Plate-Back, Flow Divider
13	92-9253	1	Valve-Relief
13:1	92-9257	1	Seal Kit
13:1:1	92-9255	1	O-Ring
13:1:2	92-9256	1	Washer-Backup
13:1:3	92-9254	1	O-Ring
14	99-8593	1	Ring-Retaining



Variable Piston Pump Assembly No. 99-6494

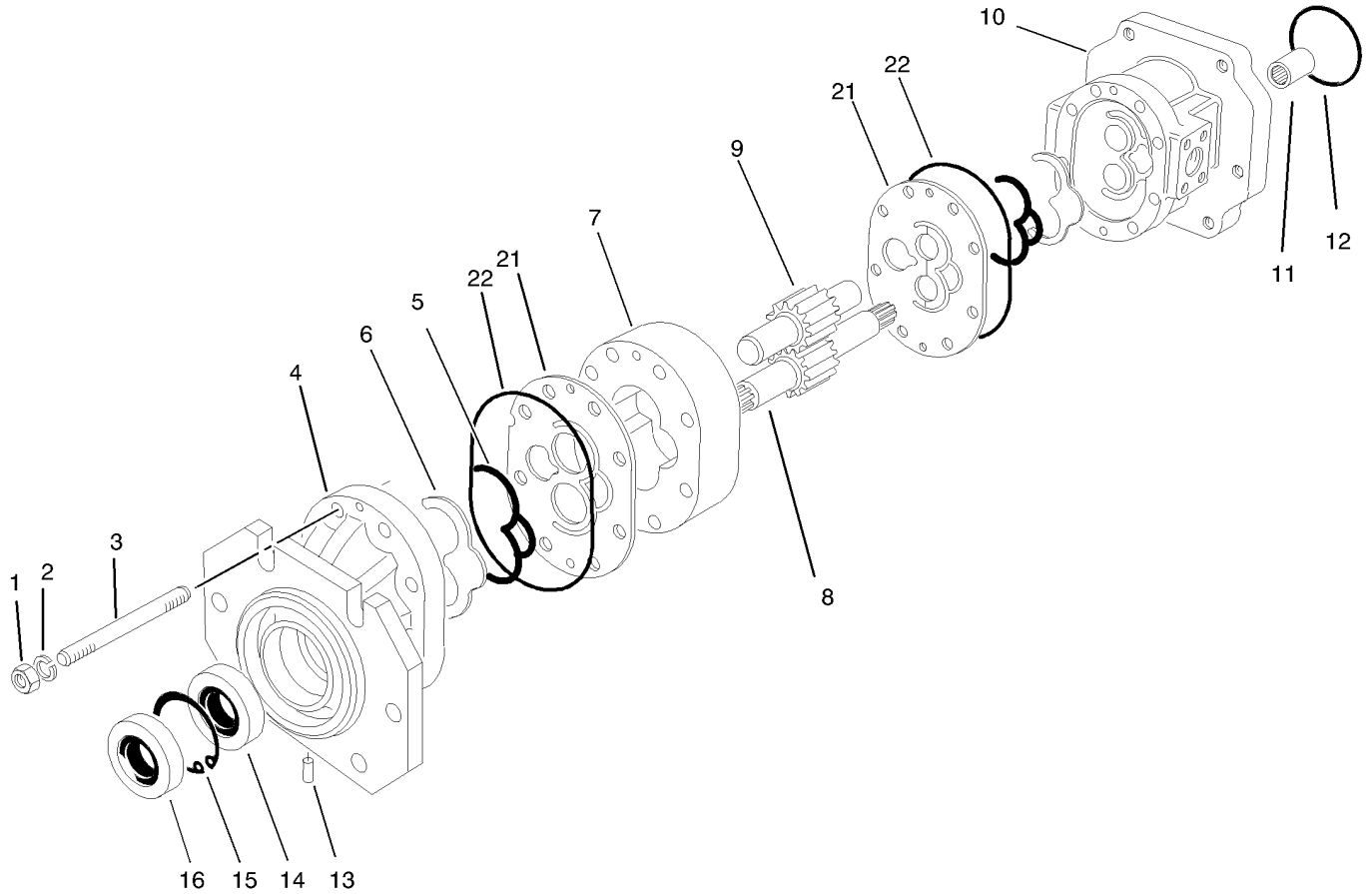
Ref	Part No.	Qty.	Description
1	60-6190	1	O-Ring
2	95-6050	2	Pin-Dowel
3	60-6250	2	Washer
4	60-6260	1	Ring
5	60-6270	2	Ring
6	60-6330	4	Screw
10	60-6120	1	Cover-Seal
11	60-6010	1	Cover-Trunnion
12	99-8702	1	O-Ring
13	60-5990	1	Race
14	60-6110	2	Bearing
15	60-6130	1	Gasket
16	60-6160	2	Race
17	76-6960	1	Bearing-Thrust
18	60-6230	2	Screw-HH
19	60-6220	2	Screw-HH
20	60-6300	1	Seal
21	42-2720	1	Seal-External
22	68-6460	2	Relief Valve Kit
22:1	70-1240	1	Plug ASM
22:1:1	60-5980	1	O-Ring
22:2	99-8700	1	Spring
23	99-8703	1	Housing ASM
23:1	63-4390	1	Bearing-Needle

Ref	Part No.	Qty.	Description
25	99-8705	1	Backplate ASM
25:1	60-6050	1	Bearing
25:2	60-6060	1	Cartridge
25:3	60-6070	1	Poppet
25:4	60-6080	1	Ring
25:5	60-6090	1	Spring
25:6	39-2080	1	Tow Valve ASM
25:6:1	60-6290	1	O-Ring
26	99-8704	1	Plate-Valve
27	60-6140	1	Shaft
28	60-6020	1	Camplate
29	60-6200	1	Adapter
29:1	33-4990	1	Poppet
29:2	39-2140	1	Spring
29:3	39-2130	1	Retainer-Spring
29:4	60-6150	1	Bearing
30	99-8706	1	Gerotor-Inner
31	99-8707	1	Gerotor-Outer
32	60-6280	1	Plug
32:1	60-6290	1	O-Ring
34	60-6320	1	Key
35	99-8708	1	O-Ring
36	60-6240	1	Washer
37	60-6310	1	Key



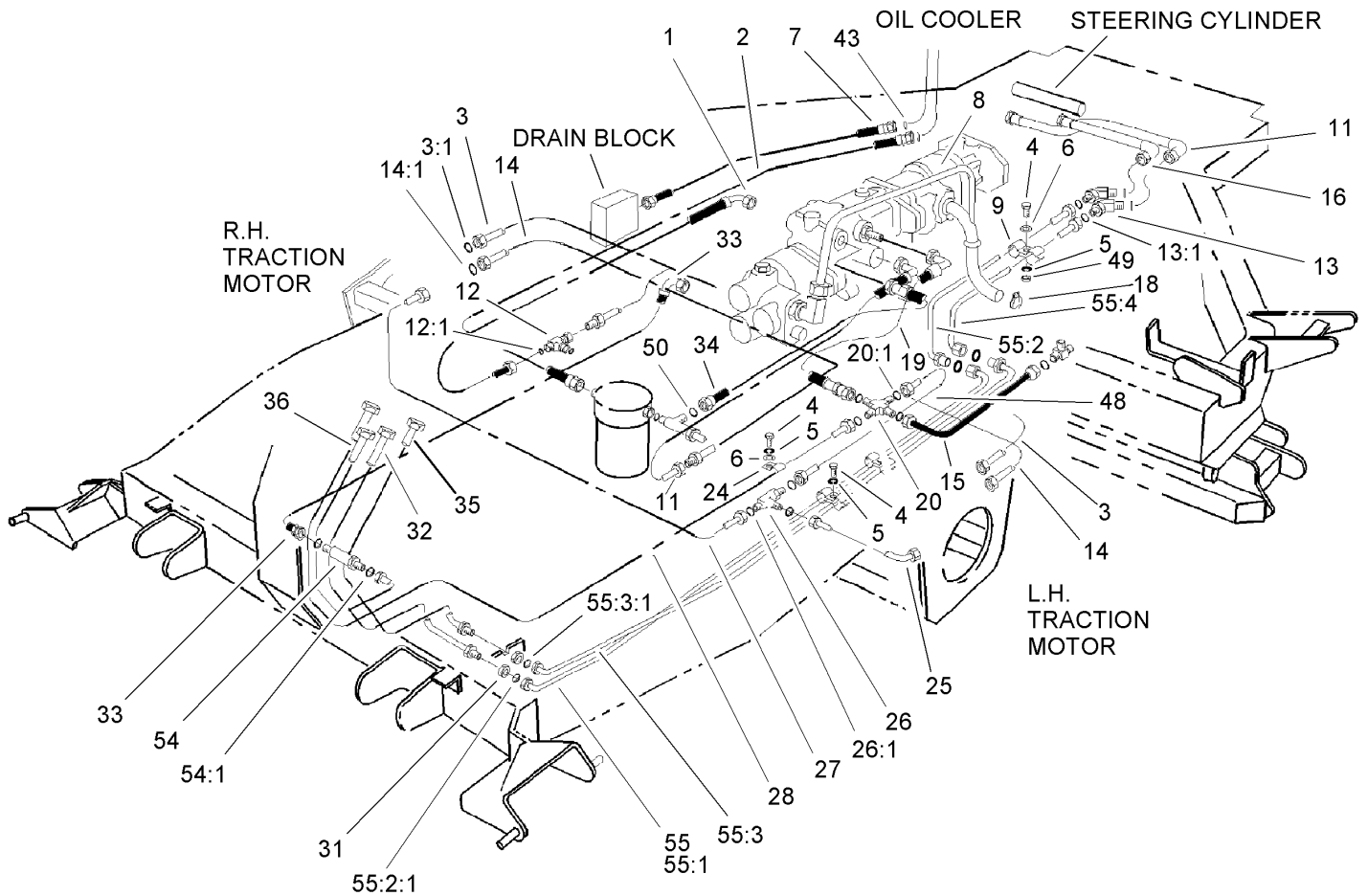
Variable Piston Pump Assembly No. 99-6494 (continued)

Ref	Part No.	Qty.	Description
38	3256-73	4	Washer-Flat
39	95-6056	1	Seal Kit
40	99-8701	1	Rotating Kit



Pump Assembly No. 86-6000-01

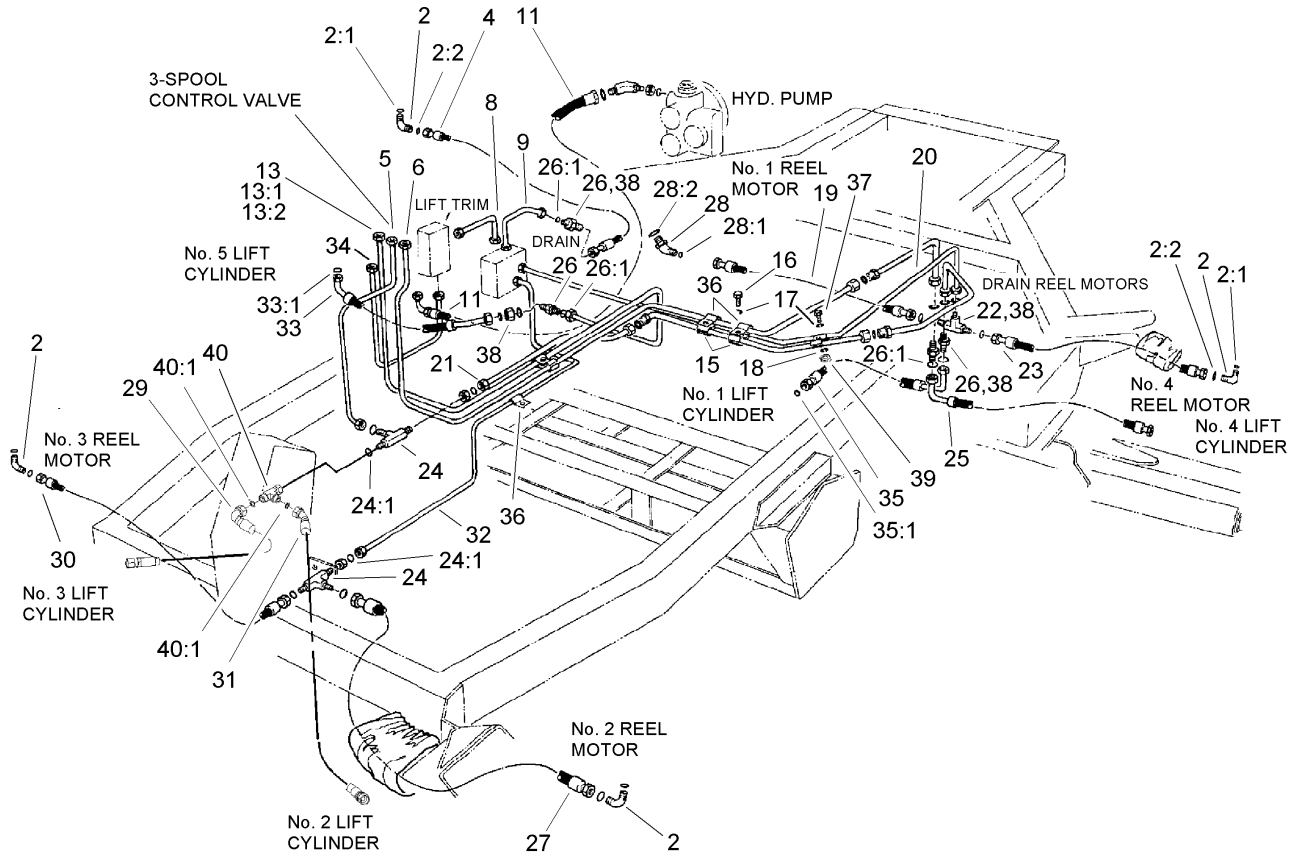
Ref	Part No.	Qty.	Description
1	59-7580	8	Nut
2	59-7590	8	Lockwasher
3	59-7970	8	Stud
4	86-6010	1	Cover-Front
5	59-7990	2	Seal
6	59-8470	2	Retainer
7	86-6020	1	Section-Center
8	59-8500	1	Gear
9	59-8600	1	Gear
10	86-6030	1	Section-Port, Rear
11	59-8540	1	Coupling
12	86-6040	1	O-Ring
13	86-6050	1	Plug
14	59-8570	1	Seal
15	59-8580	1	Ring-Retaining
16	59-8590	1	Seal
21	86-6070	2	Plate-Rear
22	86-6080	2	O-Ring



Hydraulic Circuit - Steering and Traction Assembly

Ref	Part No.	Qty.	Description
1	58-5860	2	Hose ASM
2	75-8200	1	Hose-Filter / Cooler
3	92-5677	1	Tube-Traction
3:1	237-58	1	O-Ring
4	33113-025	5	Screw-HH
5	43-5930	5	Washer-Spring
6	33093-00	7	Washer-Flat
7	75-8210	1	Hose-Manifold / Cooler
8	60-1900	1	Tube
9	58-3880	4	Clamp-Double
11	98-7415	1	Hose-HYD
12	92-4748	2	Adapter-Hyd, Tee
12:1	237-58	2	O-Ring
13	340-69	2	Elbow-Bulkhead, 45 DEG
13:1	237-22	2	O-Ring
14	92-4726	1	Tube-Traction
14:1	237-58	1	O-Ring
15	92-5694	1	Hose ASM
16	98-7416	1	Hose-HYD
18	2412-92	2	Clamp-Hose
19	60-1250	1	Hose-Drain, Traction Pump
20	340-23	1	Cross-Union
20:1	237-22	4	O-Ring
24	60-1360	1	Clamp-Single

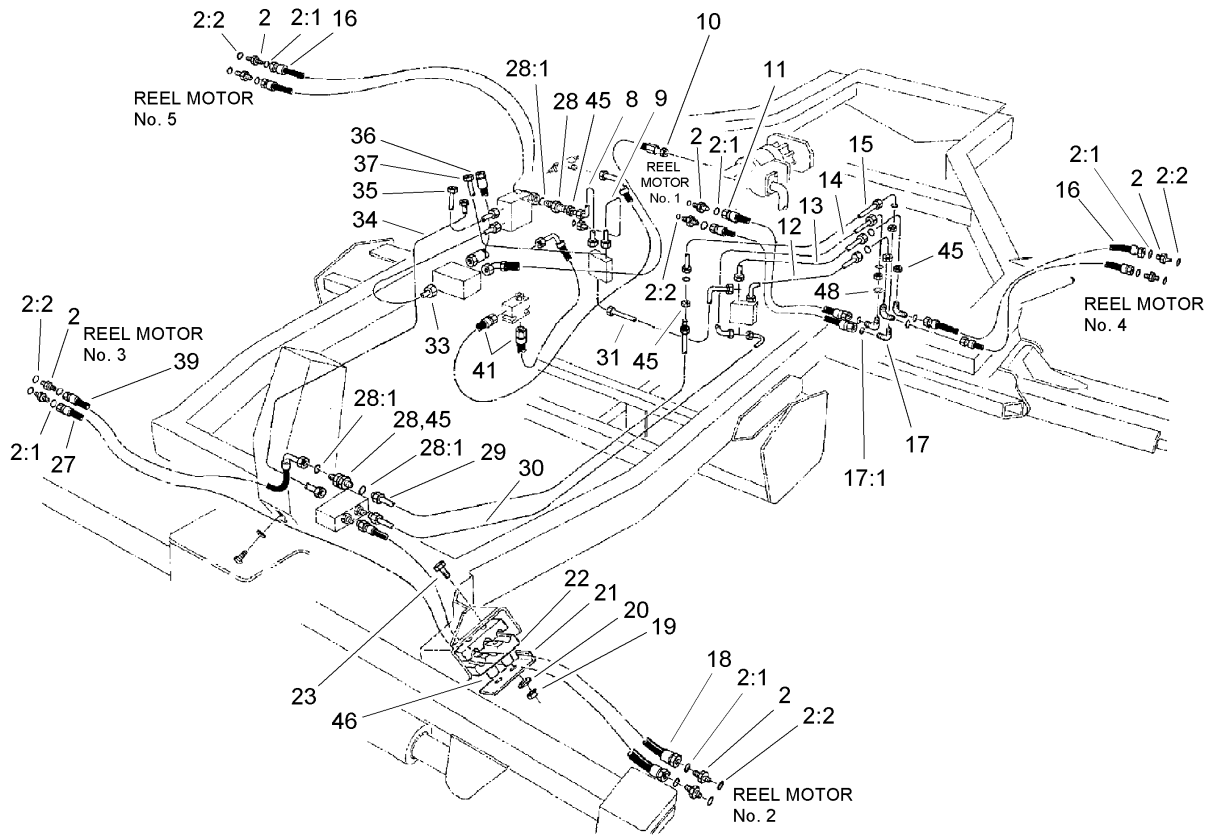
Ref	Part No.	Qty.	Description
25	58-4790	1	Tube-Steel
26	340-68	1	Fitting-Tee, Bulkhead
26:1	237-22	3	O-Ring
27	58-4860	1	Tube-Steel
28	74-2820	1	Tube ASM
31	340-70	6	Nut-Lock
32	74-2780	1	Tube ASM
33	58-5720	1	Hose ASM
34	58-5870	1	Hose ASM
35	74-2810	1	Tube ASM
36	74-2790	1	Tube ASM
43	340-65	2	O-Ring
48	58-4710	1	Tube-Steel
49	48-7890	2	Nut
50	237-30	1	O-Ring
54	340-71	1	Fitting-Straight, Bulkhead
54:1	237-22	2	O-Ring
55	105-3333	1	HYD Tube Kit
55:1	105-3318	1	Tube-Hyd, LH Front Steering
55:2	105-3319	1	Tube-Hyd, LH Rear Steering
55:2:1	237-22	1	O-Ring
55:3	105-3320	1	Tube-Hyd, RH Front Steering
55:3:1	237-22	1	O-Ring
55:4	105-3321	1	Tube-Hyd, RH Rear Steering



Hydraulic Circuit - Lift Arm Assembly

Ref	Part No.	Qty.	Description
2	340-77	4	Fitting-Hyd, 90 DEG
2:1	237-22	1	O-Ring
2:2	237-42	1	O-Ring
4	98-7413	1	Hose ASM
5	58-4750	1	Tube-Steel
6	93-1404	1	Tube-Steel
8	63-4680	1	90 DEG Tube ASM
9	58-4780	1	Tube-Steel
11	58-5710	1	Hose ASM
13	68-6370	1	HYD Tube Kit
13:1	68-6380	1	Tube ASM
13:2	68-6390	1	Tube ASM
15	58-3880	5	Clamp-Double
16	33113-050	2	Screw-HH
17	43-5930	3	Washer-Spring
18	33093-00	8	Washer-Flat
19	98-7408	1	Hose ASM
20	58-4850	1	Tube-Steel
21	68-6270	1	HYD Tube Kit
●21:1	68-6280	1	Tube ASM
●21:2	68-6290	1	Tube ASM
●21:3	68-6300	1	Tube ASM
22	60-2180	1	Adaptor
23	98-7406	1	Hose ASM

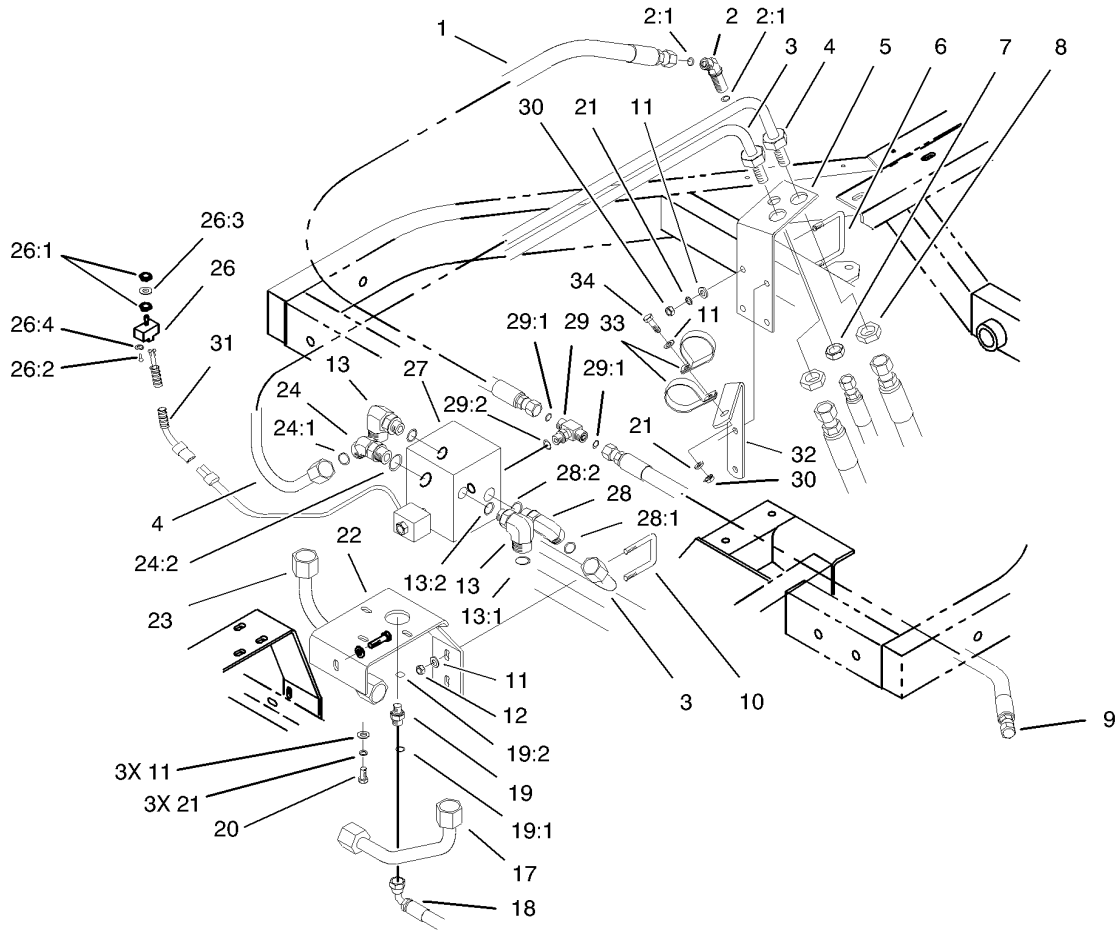
Ref	Part No.	Qty.	Description
24	340-68	2	Fitting-Tee, Bulkhead
24:1	237-22	3	O-Ring
25	98-7411	1	Hose ASM
26	340-71	4	Fitting-Straight, Bulkhead
26:1	237-22	2	O-Ring
27	98-7410	1	Hose ASM
28	340-87	1	Fitting-Hyd, 45 DEG
28:1	237-22	1	O-Ring
28:2	237-42	1	O-Ring
29	105-9280	1	Hose ASM
30	98-7407	1	Hose ASM
31	106-9204	1	Hose ASM
32	58-4880	1	Tube-Steel
33	98-7412	1	Hose ASM
33:1	237-22	1	O-Ring
34	58-4870	1	Tube-Steel
35	98-7405	1	Hose ASM
35:1	237-22	1	O-Ring
36	60-1360	3	Clamp-Single
37	33113-025	5	Screw-HH
38	340-70	7	Nut-Lock
39	48-7890	3	Nut
40	340-115	1	Fitting-Tee
40:1	237-22	2	O-Ring



Hydraulic Circuit - Cutting Unit Assembly

Ref	Part No.	Qty.	Description
2	340-8	10	Adapter
2:1	237-65	1	O-Ring
2:2	237-81	1	O-Ring
8	58-4960	1	Tube-Steel
9	58-4970	1	Tube-Steel
10	58-5730	1	Hose ASM
11	98-7404	2	Hose ASM
12	58-5060	1	Tube-Steel
13	58-5000	1	Tube-Steel
14	58-5020	1	Tube-Steel
15	58-5040	1	Tube-Steel
16	98-7403	4	Hose ASM
17	340-72	4	Fitting-90 DEG Hyd, Bulkhead
17:1	237-65	2	O-Ring
18	98-7400	1	Hose ASM
19	3296-8	4	Nut-Lock
20	3256-16	4	Washer-Flat
21	74-2750-03	2	Retainer
22	74-2710	4	Clamp-Hose
23	321-14	4	Screw-HH
27	98-7401	1	Hose ASM
28	340-76	3	Fitting-Bulkhead Union, Straight
28:1	237-65	2	O-Ring
29	58-4990	1	Tube-Steel

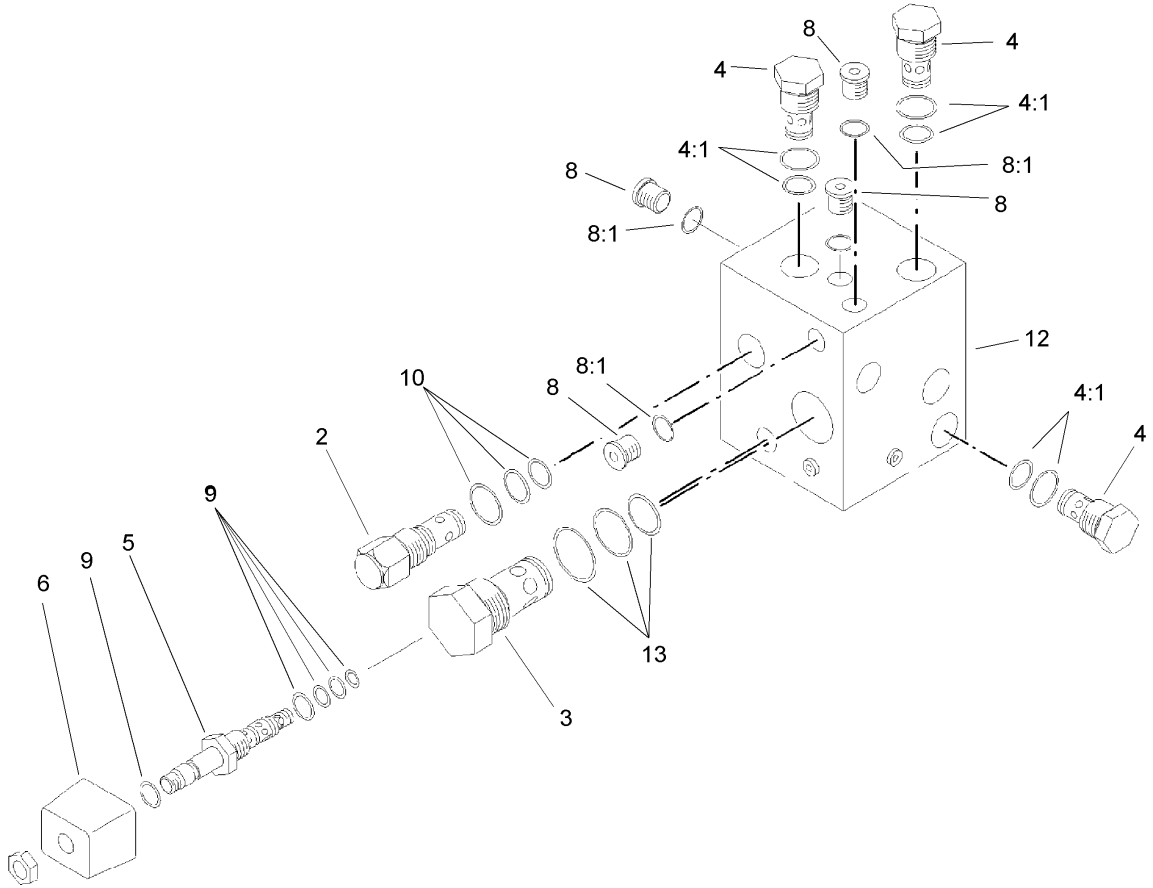
Ref	Part No.	Qty.	Description
30	58-5070	1	Tube-Steel
31	58-4950	1	Tube-Steel
33	58-5050	1	Tube-Steel
34	58-5030	1	Tube-Steel
35	58-4980	1	Tube-Steel
36	60-3340	1	Hose ASM
37	63-4710	1	Tube ASM
39	98-7402	1	Hose ASM
41	60-1250	2	Hose-Drain, Traction Pump
45	340-74	8	Locknut-Bulkhead
46	74-2730	4	Tube
48	3254-21	2	Washer-Lock/int



4 Wheel Drive Hydraulic Plumbing Assembly

Ref	Part No.	Qty.	Description
1	92-5691	1	Hose ASM
2	340-69	1	Elbow-Bulkhead, 45 DEG
2:1	237-22	2	O-Ring
3	92-5690	1	Reverse Tube ASM
4	92-5689	1	Forward Tube ASM
5	92-5693-01	1	Bracket-Bulkhead
6	92-5692	2	U-Bolt
7	340-70	1	Nut-Lock
8	340-74	2	Locknut-Bulkhead
9	92-4725	1	Hose ASM
10	66-5560	1	U-Bolt
11	3256-23	10	Washer-Flat
12	3296-29	2	Nut-Lock, NI
13	92-5696	2	Fitting-Hyd, 90 DEG
13:1	237-58	1	O-Ring
13:2	237-79	1	O-Ring
17	92-4728	1	Tube-Front
18	92-5687	1	Hose ASM
19	340-88	1	Adapter
19:1	237-22	1	O-Ring
19:2	237-78	1	O-Ring
20	322-3	3	Screw-HH
21	3253-4	8	Washer-Lock
22	86-6460-01	1	Bracket-Block

Ref	Part No.	Qty.	Description
23	92-4727	1	Tube-Rear
24	340-14	1	Fitting-Hyd, 45 DEG
24:1	237-65	1	O-Ring
24:2	237-80	1	O-Ring
26	69-9740	1	Switch
26:1	218-498	2	Locknut
26:2	218-588	3	Screw
26:3	218-589	1	Nut And Lockwasher ASM
26:4	3253-19	3	Washer-Lock
27	92-2982	1	Control Block ASM
28	340-17	1	Fitting-Hyd, 90 DEG
28:1	237-65	1	O-Ring
28:2	237-80	1	O-Ring
29	340-94	1	Adapter
29:1	237-22	2	O-Ring
29:2	237-42	1	O-Ring
30	3217-6	5	Nut-Hex
31	3290-378	1	Tie-Cable
32	99-8741-01	1	Bracket-Support, Hose
33	2412-107	2	Clamp-R
34	322-45	1	Screw-HH

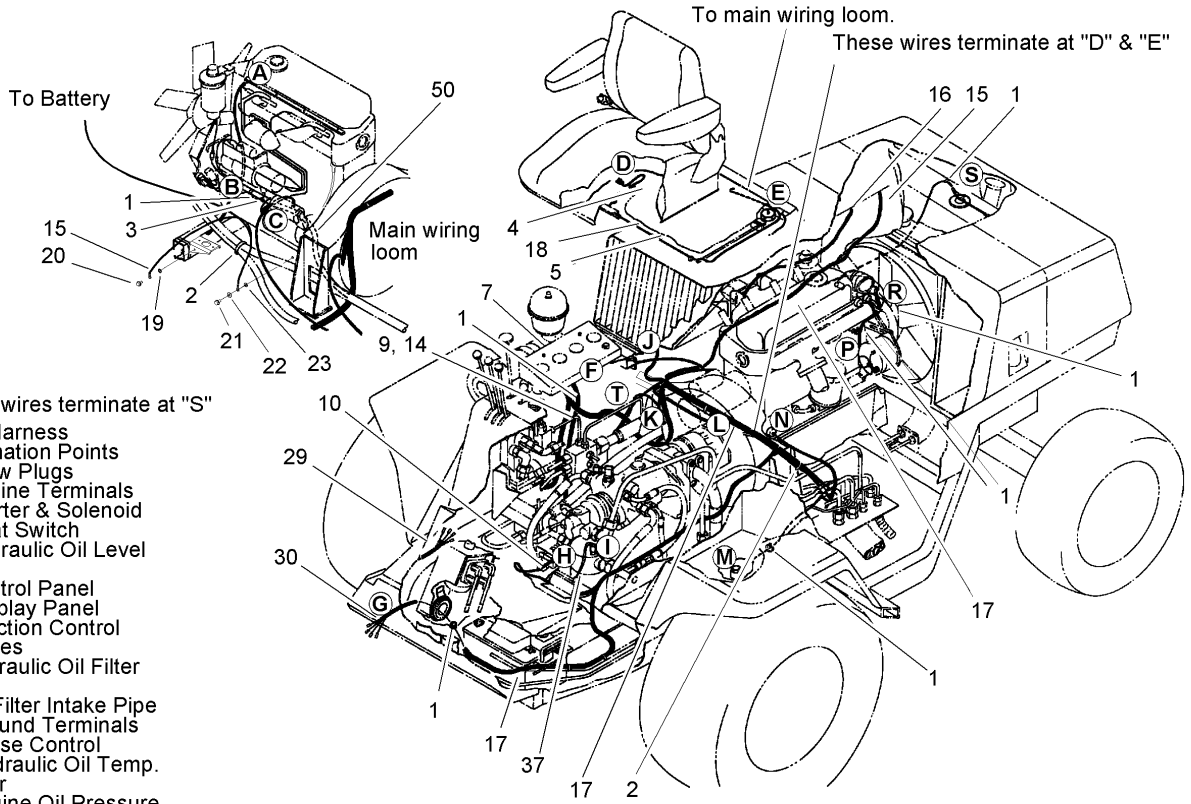


Hydraulic Manifold Assembly No. 92-2982

Ref	Part No.	Qty.	Description
2	93-1406	1	Cartridge-Logic
3	93-1409	1	Cartridge-Logic
4	95-6014	3	Valve-Check
4:1	95-5645	1	Seal Kit
5	93-1407	1	Cartridge-Solenoid
6	105-7340	1	Coil ASM
8	353-989	4	Plug-Hex, Hollow
8:1	237-42	1	O-Ring
9	93-1408	1	Seal Kit
10	69-4240	1	Seal Kit
12		1	Block-Manifold
13	95-5644	1	Seal Kit

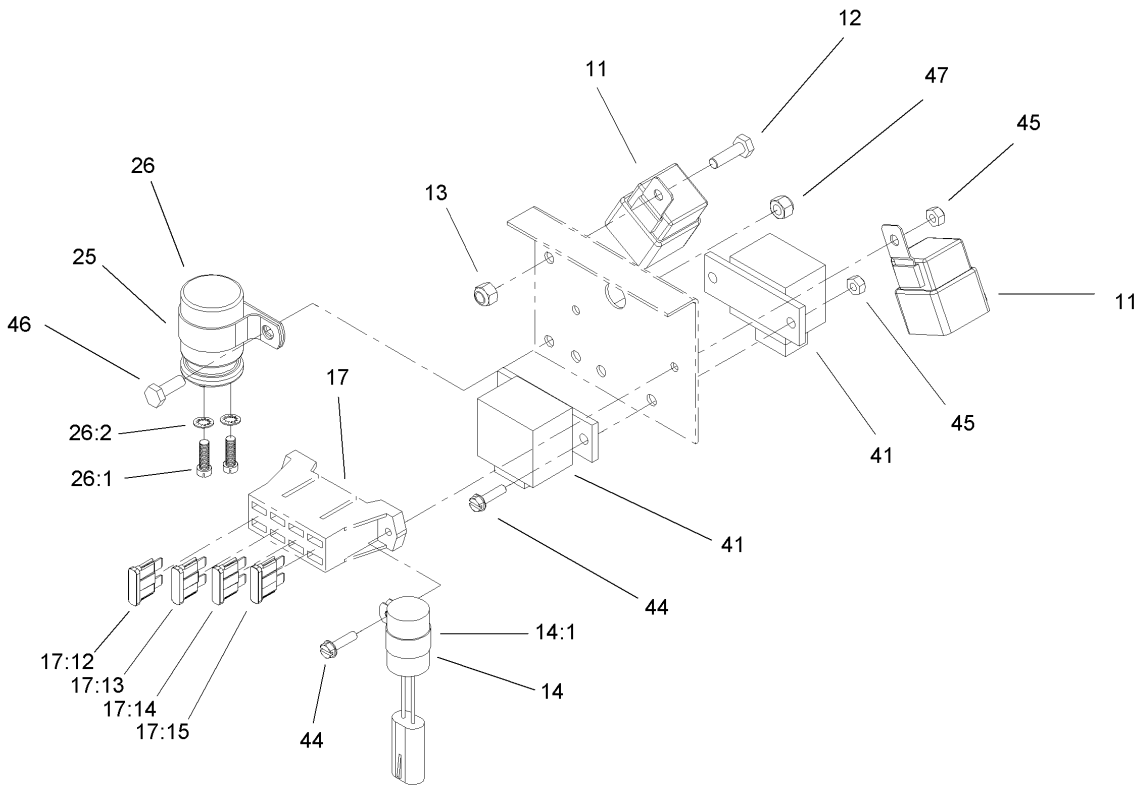
--	--	--	--

Electrical System Diagram



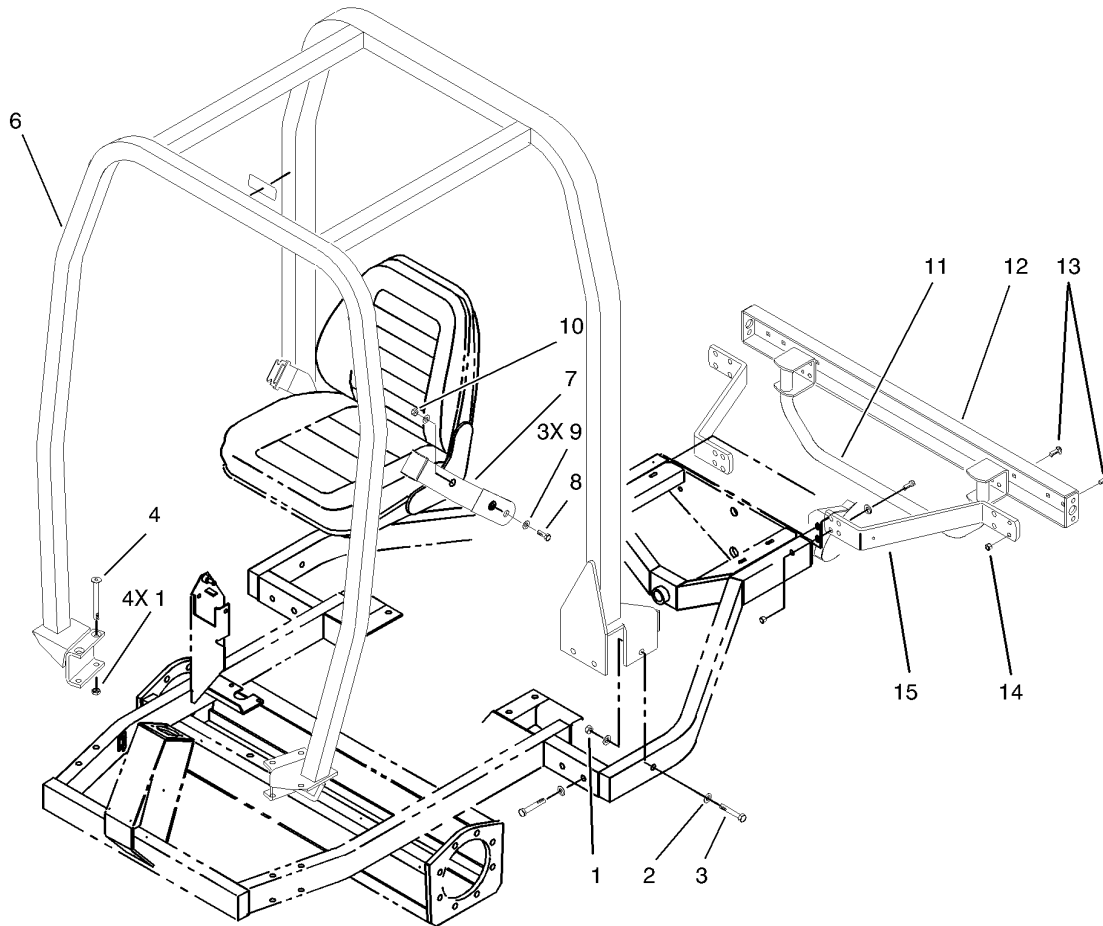
These wires terminate at "S"

- Wire Harness
- Termination Points
- A Glow Plugs
- B Engine Terminals
- C Starter & Solenoid
- D Seat Switch
- E Hydraulic Oil Level Switch
- F Control Panel
- G Display Panel
- H Traction Control Switches
- I Hydraulic Oil Filter Switch
- J Air Filter Intake Pipe
- K Ground Terminals
- L Cruise Control
- M Hydraulic Oil Temp. Sender
- N Engine Oil Pressure
- P Engine Alternator
- R Engine Temp. Senders & Switches
- S Fuel Level Sender
- T Fuse Block



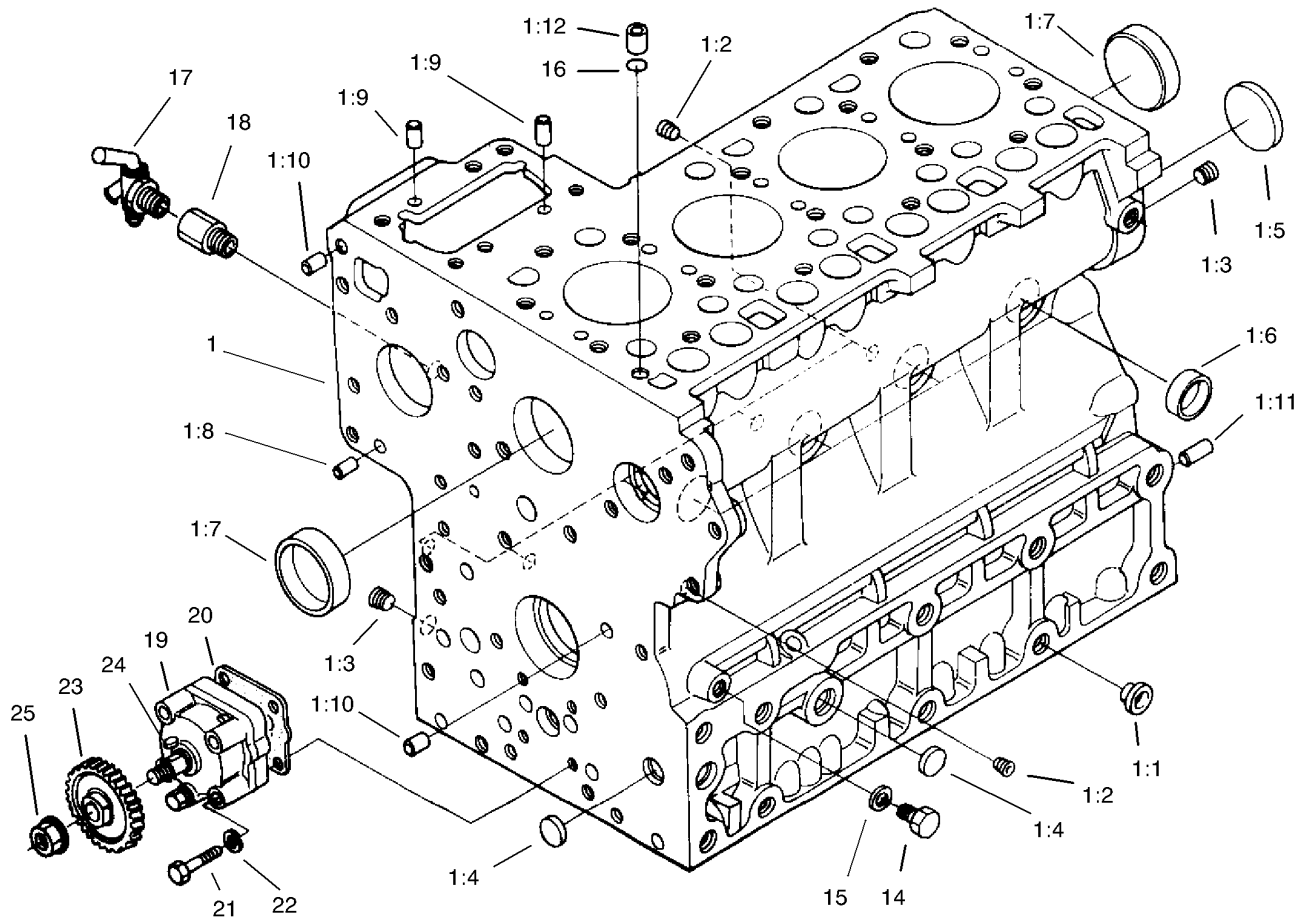
Electrical System Diagram

Ref	Part No.	Qty.	Description				
1	3290-378	29	Tie-Cable				
2	3290-379	5	Tie-Cable				
3	2412-109	1	Clip-J				
4	237-100	1	Grommet				
5	104-5232	4	Clip-Wire				
7	105-9279	1	Harness-Wire, Control Panel				
9	82-9790	1	Harness				
10	104-5205	1	Harness-Wire, Micro Switch				
11	99-7430	2	Relay				
12	321-5	1	Screw-HH				
13	3296-42	1	Nut-Lock, NI				
14	83-2280	1	Timer-Delay				
14:1	98-4604	1	R-Clamp				
15	106-7053	1	Cable-Battery, Negative				
16	104-0086	1	Cable-Battery, Positive				
17	108-1442	1	Harness-Wire				
● 17:11	100-4918	1	Diode				
17:12	99-6124	1	Fuse-40 Amp				
17:13	109101	1	Fuse-20 Amp				
17:14	110928	1	Fuse-5 Amp				
17:15	114241	1	Fuse-7.5 Amp				
18	108-6052	1	Harness				
19	3255-8	1	Washer-Lock				
20	32144-14	1	Screw-HWH				
21	43-0090	1	Screw-HH				
22	42-9600	1	Washer-Lock, Spring				
23	3255-9	1	Washer-Lock, Ext				
25	2412-74	1	R-Clamp				
26	37-2690	1	Capacitor				
26:1	3252-18	2	Screw				
26:2	3254-1	2	Washer-Lock, Int				
29	82-9230	2	Harness				
30	98-3819	1	Harness-Wire, Light Cluster				
37	86-5990	1	Harness-Filter				
41	66-8800	2	Relay				
44	32105-13	4	Screw-SHH				
45	3296-2	4	Nut-Lock				
46	321-4	1	Screw-HH				
47	3296-42	1	Nut-Lock, NI				
50	99-3441	1	Harness-Wire, Fusible Link				



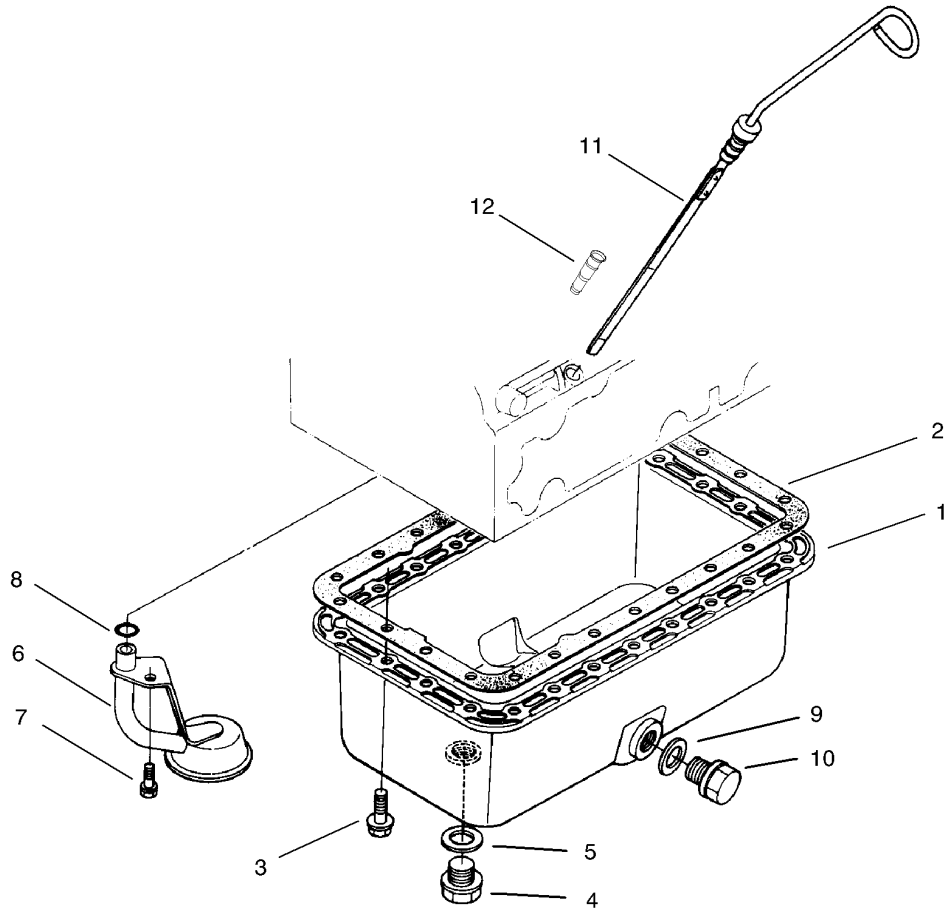
Roll Over Protection System Assembly

Ref	Part No.	Qty.	Description
1	3296-23	10	Nut-Lock, NI
2	3256-26	12	Washer-Flat
3	325-12	6	Screw-HH
4	3289-25	4	Screw-SFH
6	92-2987-03	1	Rops ASM
7	21-4191	1	Seat Belt ASM
8	324-5	2	Screw-HH
9	3256-25	6	Washer-Flat
10	3296-48	2	Nut-Lock, NI
11	92-6050-03	1	Guard ASM
12	92-6052-03	1	Bumper-Rear
13	3231-25	12	Screw-CARR
14	3296-39	12	Nut-Lock, NI
15	92-6051-03	2	Bracket-Bumper



Crankcase Assembly

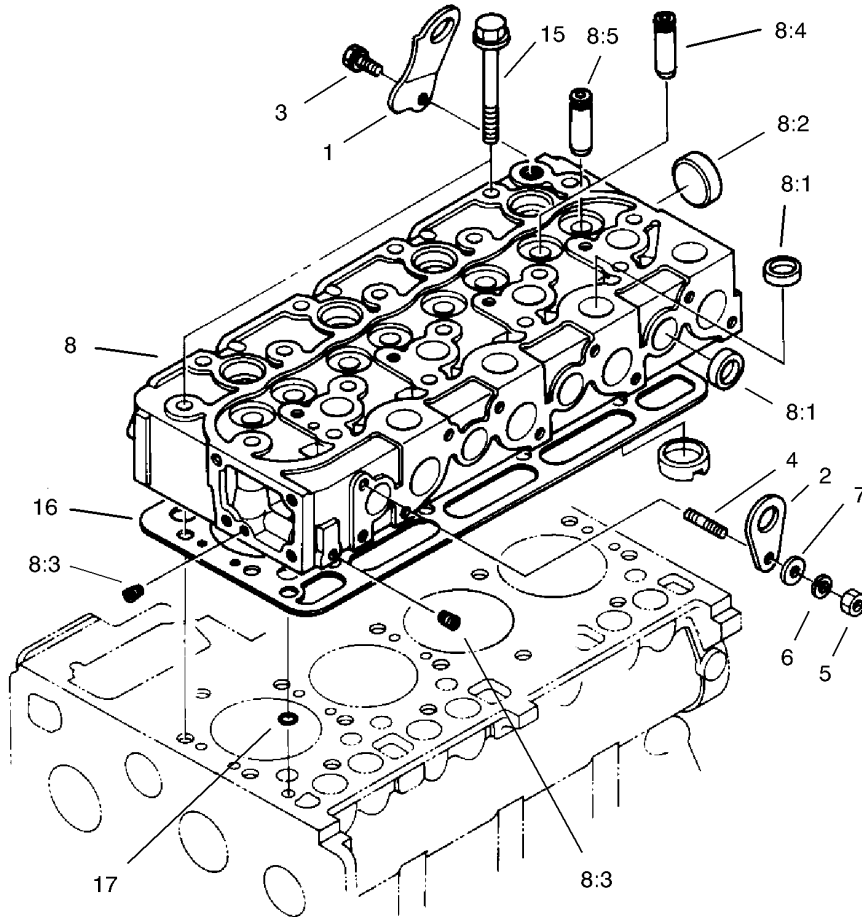
Ref	Part No.	Qty.	Description
1	98-7485	1	Crankshaft-Complete
1:1	98-7486	2	Plug
1:2	98-7487	6	Plug
1:3	98-7488	2	Plug
1:4	98-7489	3	Plug
1:5	98-7490	1	Plug
1:6	98-7500	6	Cap-Sealing
1:7	98-7501	2	Cap-Sealing
1:8	98-7502	2	Pin-Straight
1:9	98-7503	2	Pin-Straight
1:10	98-7504	2	Pin-Straight
1:11	98-7505	1	Pin-Straight
1:12	98-7506	1	Pin-Pipe
14	98-7507	1	Plug
15	98-7528	1	O-Ring
16	98-7509	1	O-Ring
17	98-7510	1	Cock-Drain
18	98-7511	1	Joint-Cock, Drain
19	98-7512	1	Oil Pump ASM
20	98-7513	1	Gasket-Pump, Oil
21	98-7514	4	Bolt
22	98-7515	4	Washer-Spring
23	98-7516	1	Gear-Drive, Oil Pump
24	98-7517	1	Key-Feather
25	98-7518	1	Nut-Flange



Oil Pan Assembly

Ref	Part No.	Qty.	Description
1	98-7520	1	Pan-Oil
2	98-7521	1	Gasket
3	98-7522	24	Bolt-Flange
4	98-7523	1	Plug-Drain
5	98-7524	1	Gasket
6	98-7525	1	Filter-Oil
7	98-7526	1	Bolt
8	98-7527	1	O-Ring
9	98-7528	1	O-Ring
10	98-7529	1	Plug-Drain
11	105-4579	1	Gauge-Oil
12	105-4580	1	Guide

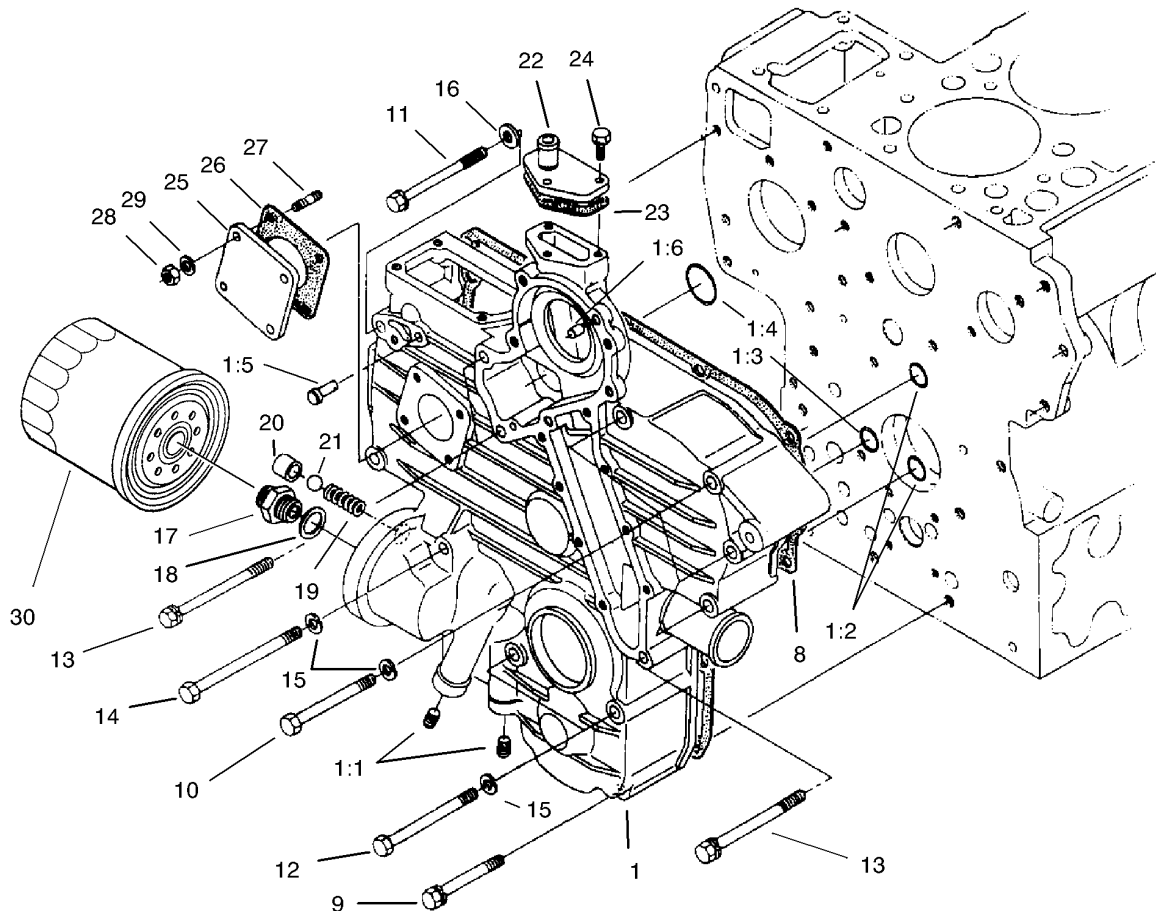
--	--	--	--



Cylinder Head Assembly

Ref	Part No.	Qty.	Description
1	98-7530	1	Hook-Engine
2	98-7531	1	Hook-Engine
3	98-7526	1	Bolt
4	98-7533	1	Stud
5	98-7534	1	Nut
6	98-7535	1	Washer-Spring
7	98-7536	1	Washer-Plain
8	98-7537	1	Head-Cylinder, Complete
8:1	98-7538	12	Cap-Sealing
8:2	98-7539	1	Cap-Sealing
8:3	98-7540	2	Plug
8:4	98-7541	4	Plug
8:5	98-7542	4	Guide-Valve, Exhaust
15	98-7543	18	Bolt-Head, Cylinder
16	98-7544	1	Gasket-Head, Cylinder
17	98-7509	1	O-Ring

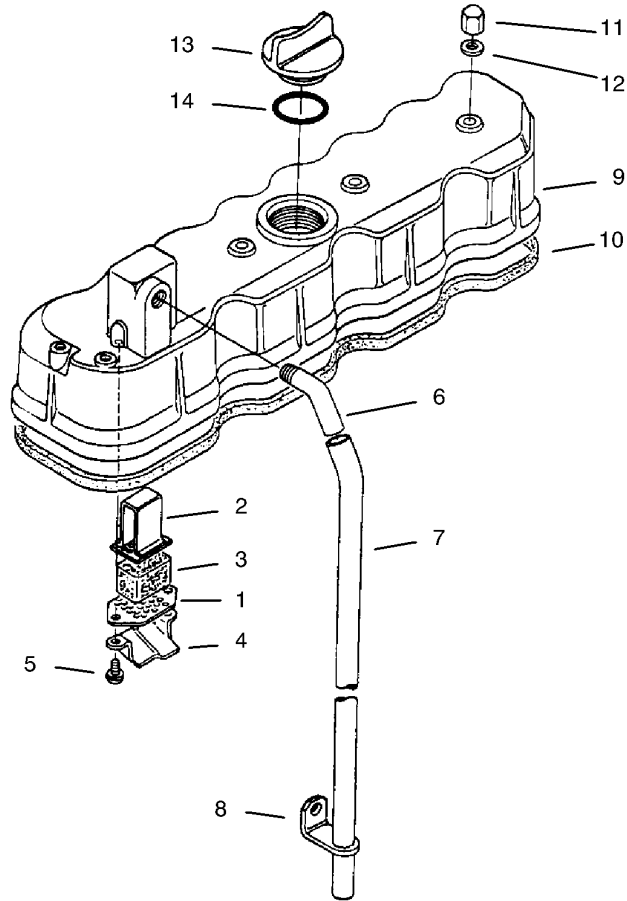
--	--	--	--



Gear Case Assembly

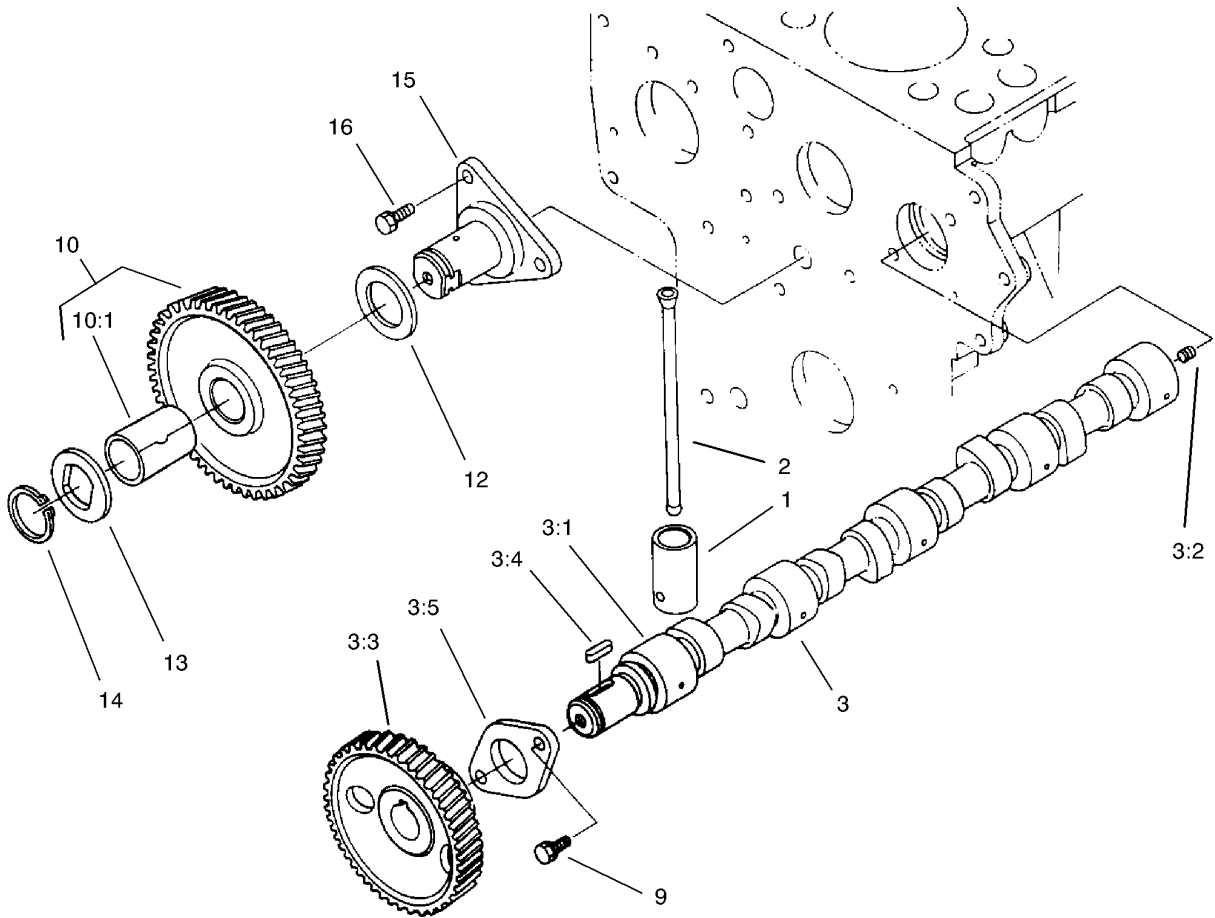
Ref	Part No.	Qty.	Description
1	98-7545	1	Gear Case ASM
1:1	98-7546	2	Plug
1:2	98-7547	2	O-Ring
1:3	98-7548	1	O-Ring
1:4	98-7549	1	O-Ring
1:5	98-7550	1	Pin-Spring, Start
1:6	98-7504	2	Pin-Straight
8	98-7552	1	Packing-Case, Gear
9	98-7553	2	Bolt
10	98-7554	5	Bolt
11	98-7555	1	Bolt
12	98-7556	2	Bolt
13	98-7557	3	Bolt
14	98-7558	2	Bolt
15	98-7535	9	Washer-Spring
16	98-7536	1	Washer-Plain
17	98-7561	1	Joint-Pipe
18	98-7562	1	Washer-Plain
19	98-7563	1	Spring
20	98-7564	1	Seat-Valve
21	98-7565	1	Ball
22	98-7566	1	Flange-Return, Water
23	98-7567	1	Gasket
24	98-7568	1	Bolt

Ref	Part No.	Qty.	Description
25	98-7569	1	Cover
26	98-7570	1	Gasket-Unit, H/meter
27	98-7571	4	Stud
28	98-7572	4	Nut
29	98-7515	4	Washer-Spring
30	98-7431	1	Cartridge-Filter, Oil



Valve Cover Assembly

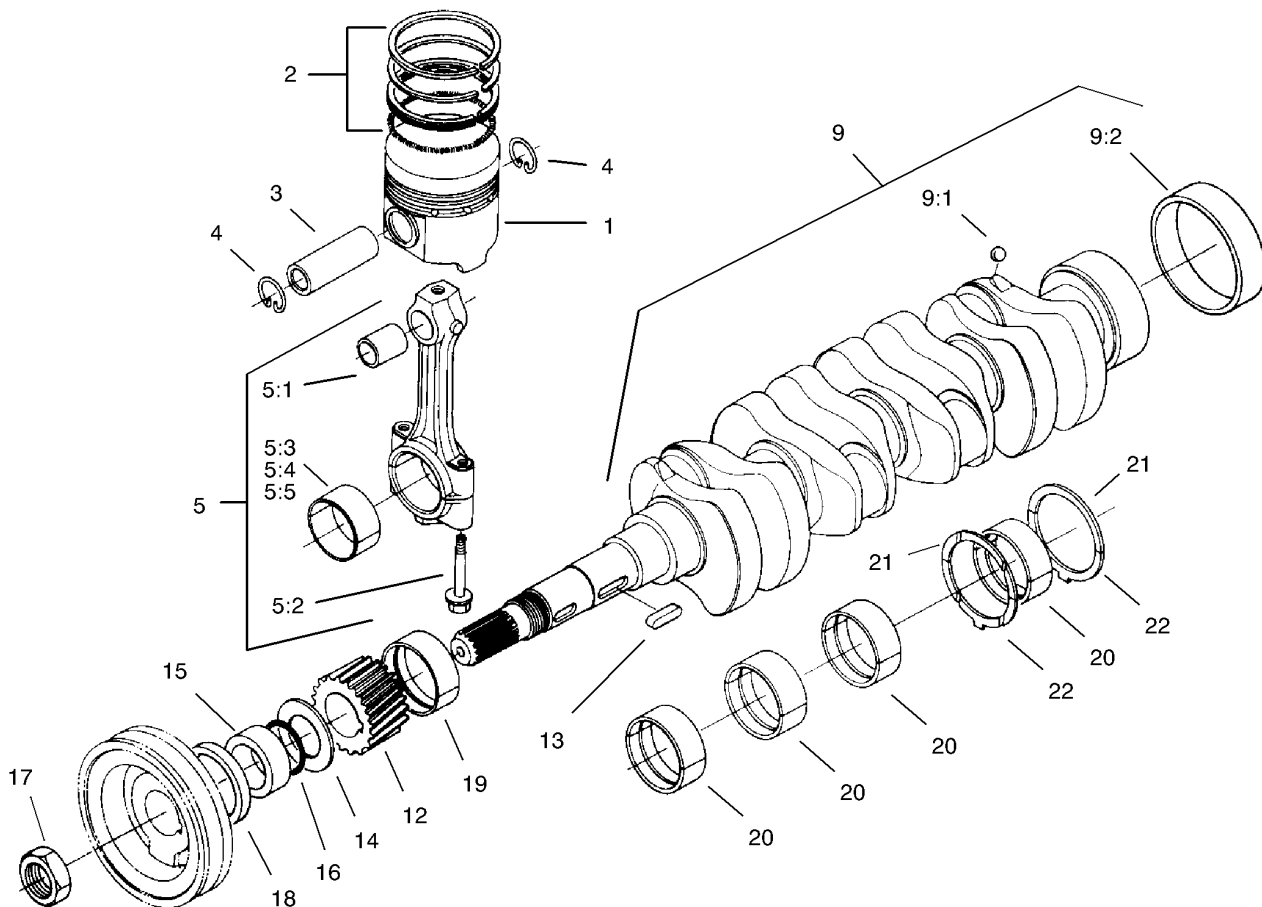
Ref	Part No.	Qty.	Description
1	98-7417	1	Plate-Element
2	98-7418	1	Plate-Element
3	98-7419	1	Element-Breather
4	98-7420	1	Shield-Breather, Oil
5	98-7421	2	Screw W/washer
6	98-7422	1	Joint-Pipe, Breather
7	98-7423	1	Pipe-Breather
8	98-7424	1	Clamp-Pipe
9	98-7425	1	Cover-Head, Cylinder
10	98-7426	1	Gasket-Cover, Head
11	98-7427	4	Nut-Cap
12	98-7428	4	Gasket
13	98-7429	1	Plug-Filter, Oil
14	98-7430	1	O-Ring



Camshaft Assembly

Ref	Part No.	Qty.	Description
1	98-7445	8	Tappet
2	98-7446	8	Rod-Push
3	98-7447	1	Camshaft ASM
3:1	98-7448	1	Camshaft
3:2	98-7449	1	Screw-Set
3:3	98-7450	1	Gear-Camshaft
3:4	98-7451	1	Key-Feather
3:5	98-7452	1	Stopper-Camshaft
9	98-7453	2	Bolt
10	98-7454	1	Gear-Idler, Complete
10:1	98-7455	1	Bushing-Gear, Idler
12	98-7456	1	Collar
13	98-7457	1	Collar
14	98-7458	1	Clip-Cir., External
15	98-7459	1	Shaft-Gear, Idler
16	98-7453	3	Bolt

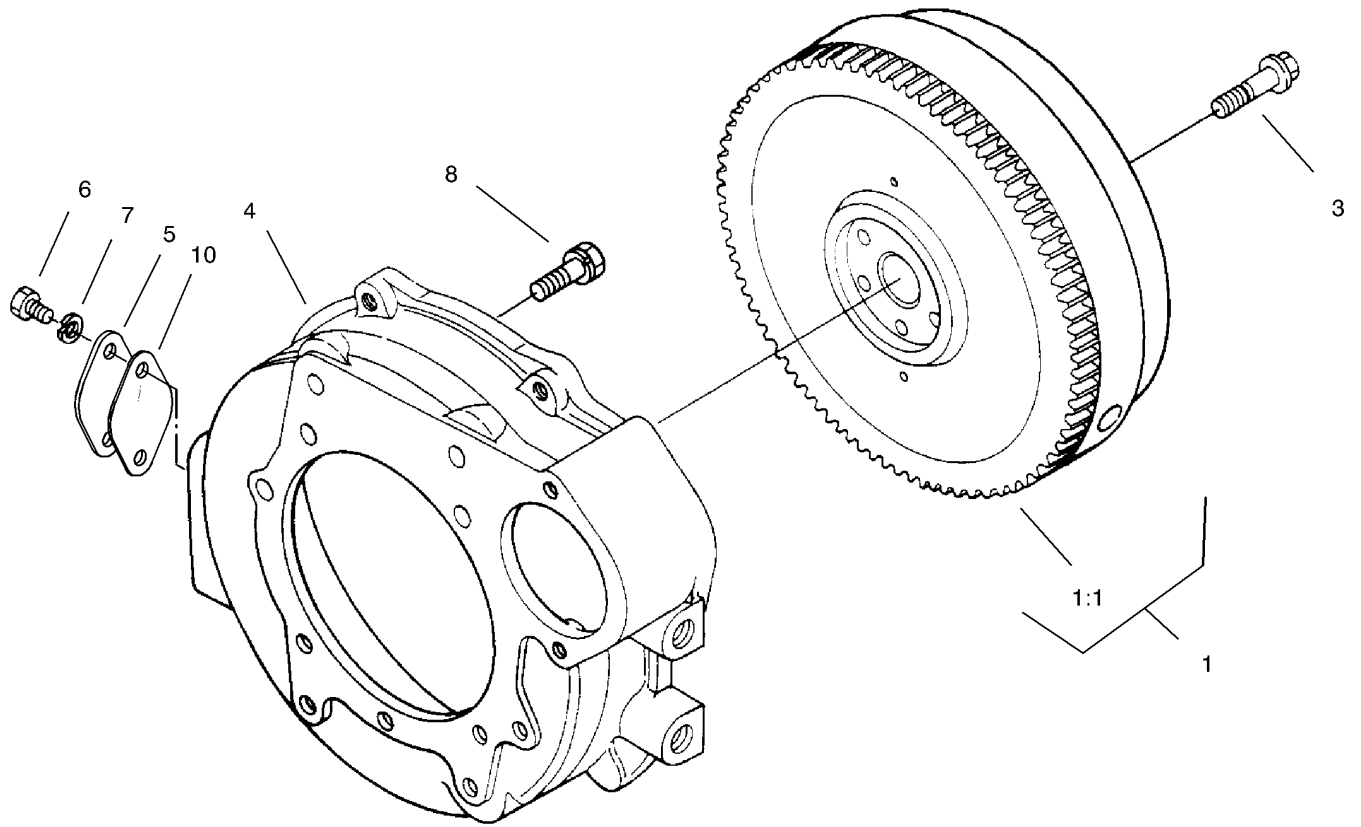
--	--	--	--



Piston and Crankshaft Assembly

Ref	Part No.	Qty.	Description
1	98-7460	4	Piston
1	98-7461	4	Piston
2	98-7463	4	Piston Ring ASM
2	98-7462	4	Piston Ring ASM
3	98-7464	4	Pin-Piston
4	98-7465	8	Clip-Pin, Piston
5	98-7466	4	Connecting Rod ASM
5:1	98-7467	4	Bushing-Pin, Piston
5:2	98-7468	8	Bolt-Rod, Connecting
5:3	98-7469	4	Metal-Crankpin (Std)
5:4	98-7470	4	Metal-Crankpin (-0.20mm)
5:5	98-7471	4	Metal-Crankpin (-0.40mm)
9	98-7472	1	Crankshaft-Complete
9:1	98-7473	4	Ball
9:2	98-7474	1	Sleeve-Crankshaft
12	98-7475	1	Gear-Crankshaft
13	98-7451	1	Key-Feather
14	98-7476	1	Slinger-Oil
15	98-7477	1	Collar-Crankshaht
16	98-7478	1	O-Ring
17	98-7479	1	Nut-Crankshaft
18	98-7480	1	Seal-Oil
19	98-7481	1	Metal-Crankshaft (Std)
19	98-7482	1	Metal-Crankshaft (-0.20mm)

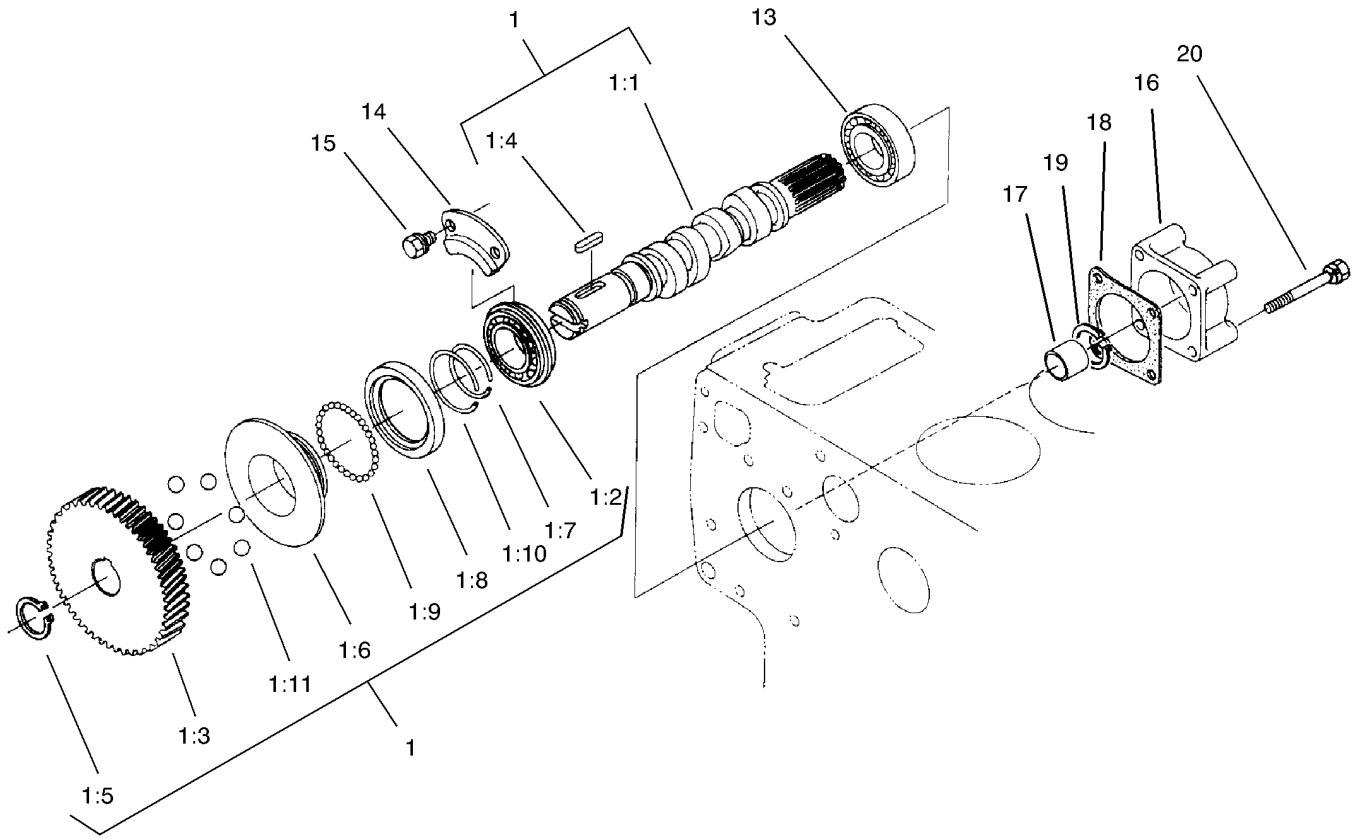
Ref	Part No.	Qty.	Description
19	98-7483	1	Metal-Crankshaft (-0.40mm)
20	98-7484	1	Metal-Crankshaft (Std)
20	99-6862	1	Metal-Crankshaft (-0.20mm)
20	99-6863	1	Metal-Crankshaft (-0.40mm)
21	99-6864	2	Metal-Side (Std)
21	99-6865	2	Metal-Side, O/s (0.2mm)
21	99-6866	2	Metal-Side, O/s (0.4mm)
22	99-6869	2	Metal-Side, O/s (0.4mm)
22	99-6868	2	Metal-Side, O/s (0.2mm)
22	99-6867	2	Metal-Side (Std)



Flywheel Assembly

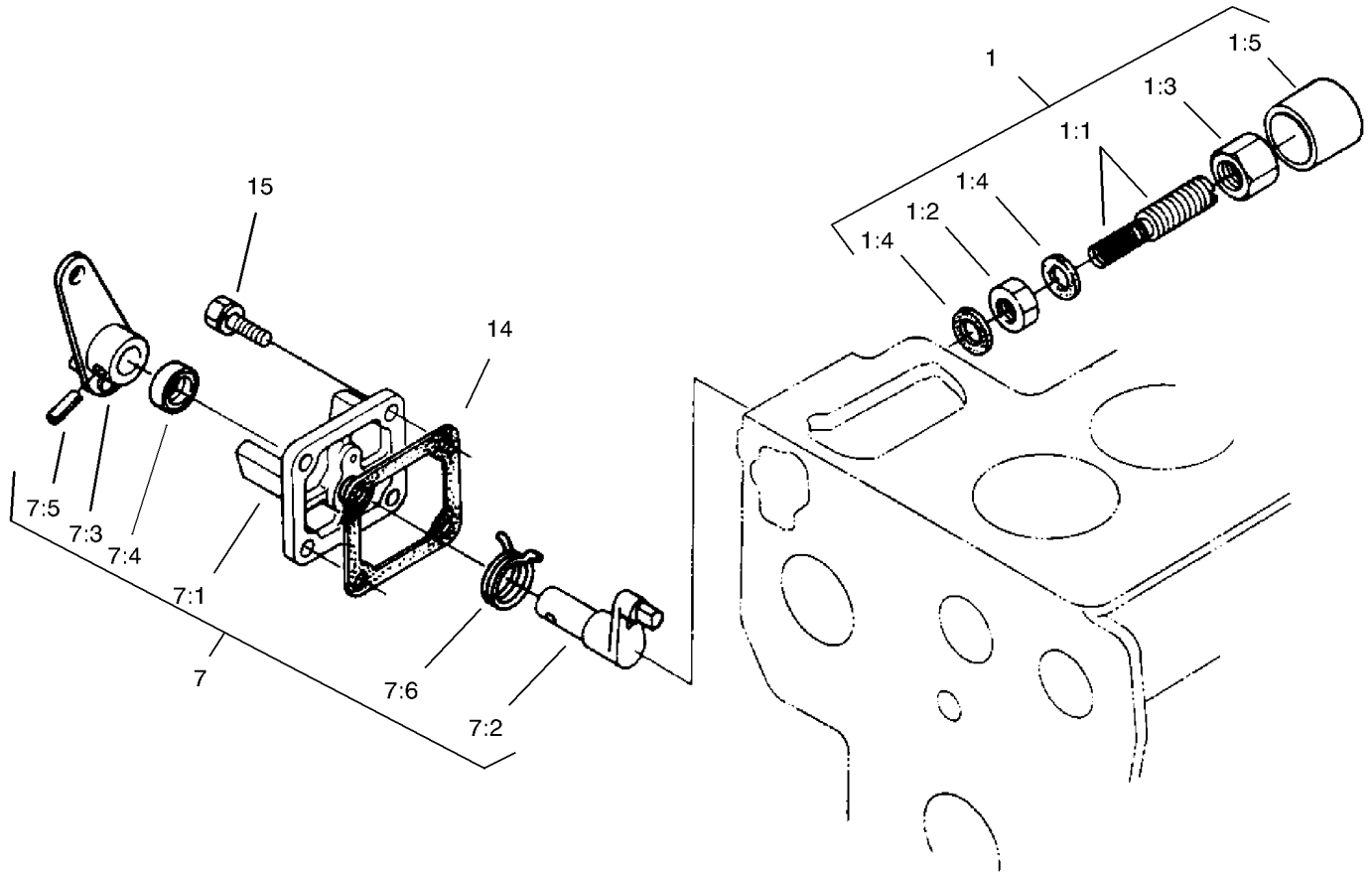
Ref	Part No.	Qty.	Description
1	98-7532	1	Flywheel
1:1	98-7560	1	Gear-Ring
3	98-7573	6	Bolt-Flywheel
4	98-7559	1	Housing-Flywheel
5	98-7883	1	Cover
6	98-7884	2	Bolt
7	98-7535	2	Washer-Spring
8	98-7885	11	Bolt
10	98-7886	1	Gasket

--	--	--	--



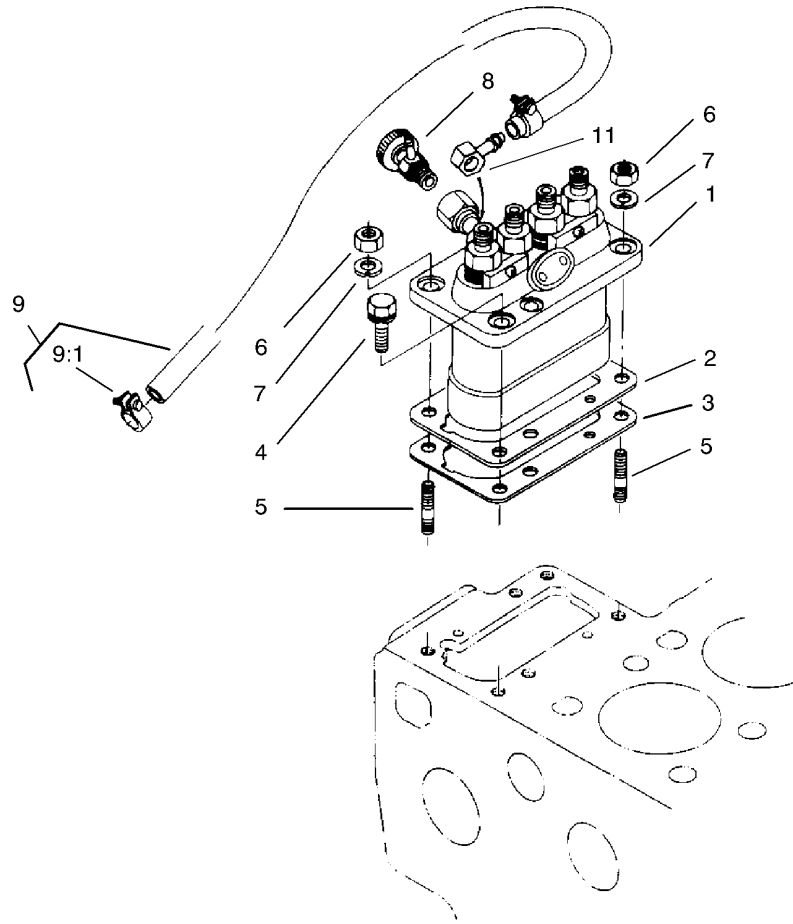
Fuel Camshaft Assembly

Ref	Part No.	Qty.	Description
1	98-7551	1	Fuel Camshaft ASM
1:1	98-7508	1	Camshaft-Fuel
1:2	98-7595	1	Bearing-Ball
1:3	98-7574	1	Gear-Pump, Injection
1:4	98-7575	1	Key-Feather
1:5	98-7576	1	Clip-Cir., External
1:6	98-7577	1	Sleeve-Governor
1:7	98-7578	1	Clip-Cir., Governor Sleeve
1:8	98-7579	1	Case-Ball, Governor
1:9	98-7580	39	Ball
1:10	98-7581	1	Clip-Cir.
1:11	98-7582	7	Ball
13	98-7583	1	Bearing-Ball
14	98-7584	1	Stopper
15	98-7585	2	Bolt
16	98-7586	1	Cover-Fuel, Camshaft
17	98-7587	1	Collar
18	98-7588	1	Gasket
19	98-7589	1	Clip-Cir., External
20	98-7590	4	Bolt



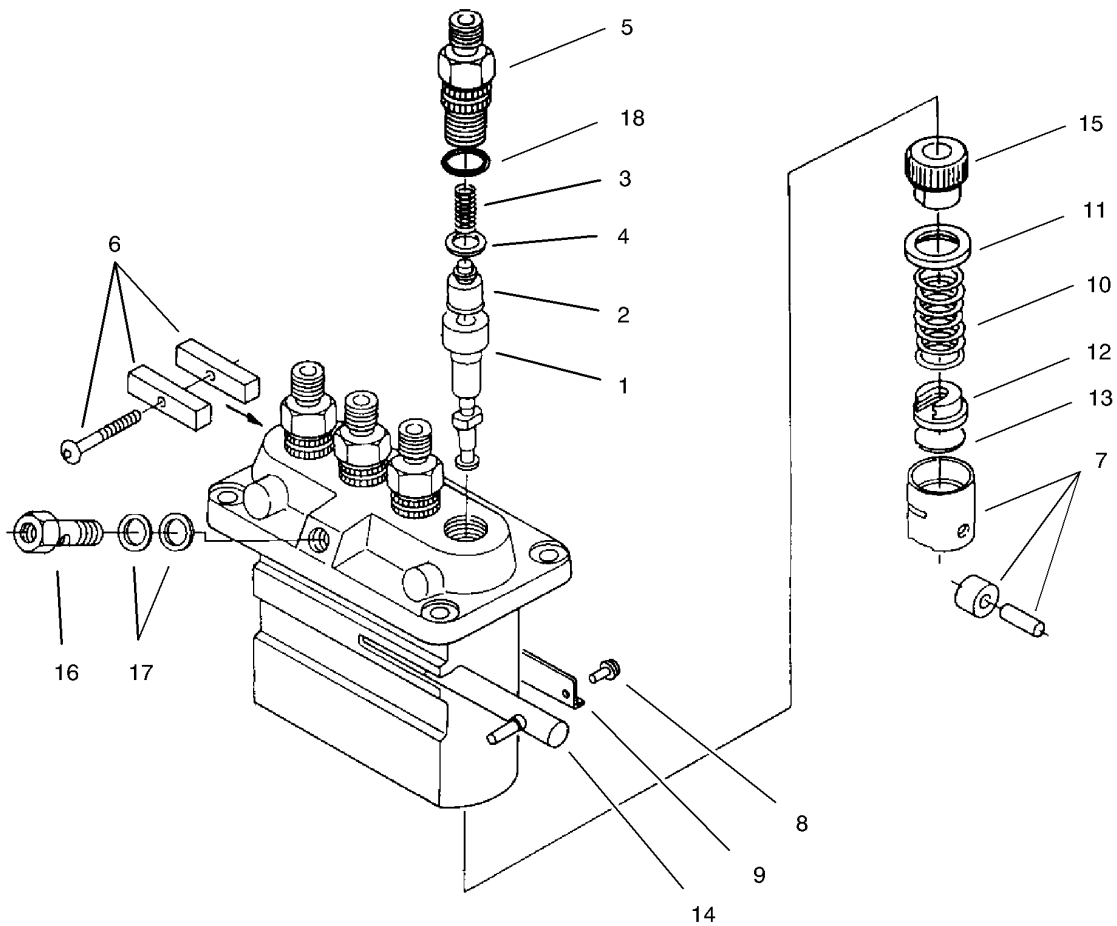
Engine Stop Lever Assembly

Ref	Part No.	Qty.	Description
1	98-7591	1	I/d Appartus ASM
1:1	98-7592	1	Adjusting Bolt ASM
1:2	98-7593	1	Nut
1:3	98-7594	1	Nut-Cap
1:4	98-7428	2	Gasket
1:5	98-7596	1	Cap
7	98-7597	1	Engine Stop Lever ASM
7:1	98-7598	1	Cover-Pump, Injection
7:2	98-7599	1	Shaft-Lever
7:3		1	Lever-Stop, Engine
7:4	98-7601	1	Seal-Oil
7:5	98-7602	1	Pin-Spring
7:6	98-7603	1	Spring-Return
14	98-7604	1	Gasket-Cover, Pump
15	98-7605	4	Bolt



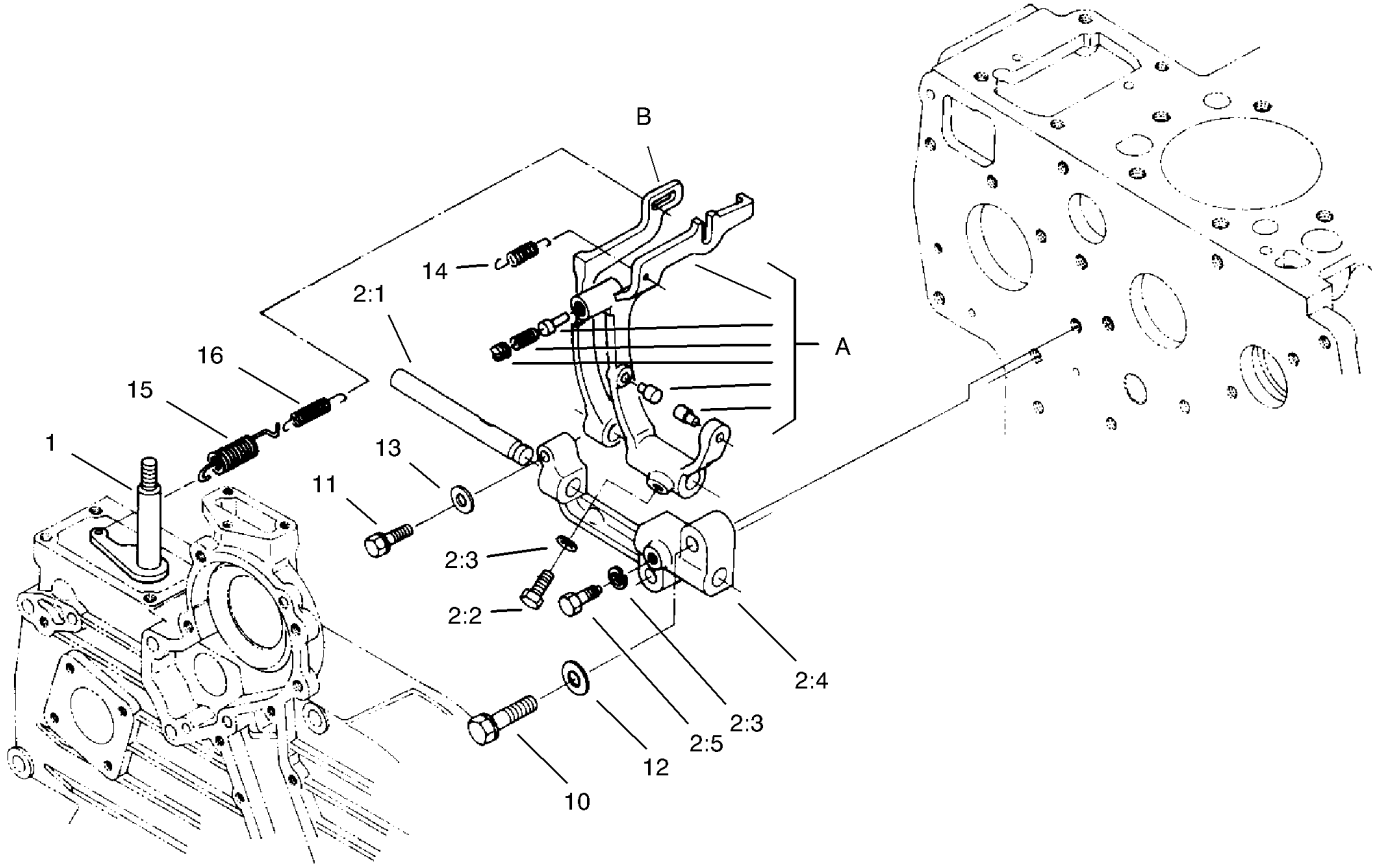
Injection Pump Assembly

Ref	Part No.	Qty.	Description
1	98-7606	1	Injection Pump ASM
2	98-7608	1	Shim
2	98-7607	1	Shim
3	98-7609	1	Shim-Pump, Injection
4	98-7610	4	Bolt
5	98-7533	2	Stud
6	98-7534	2	Nut
7	98-7535	2	Washer-Spring
8	98-7614	1	Jet Start Cock ASM
9	98-7615	1	Fuel Pipe ASM
9:1	98-7616	2	Clip-Pipe
11	98-7617	1	Joint



Injection Pump Assembly No. 98-7606

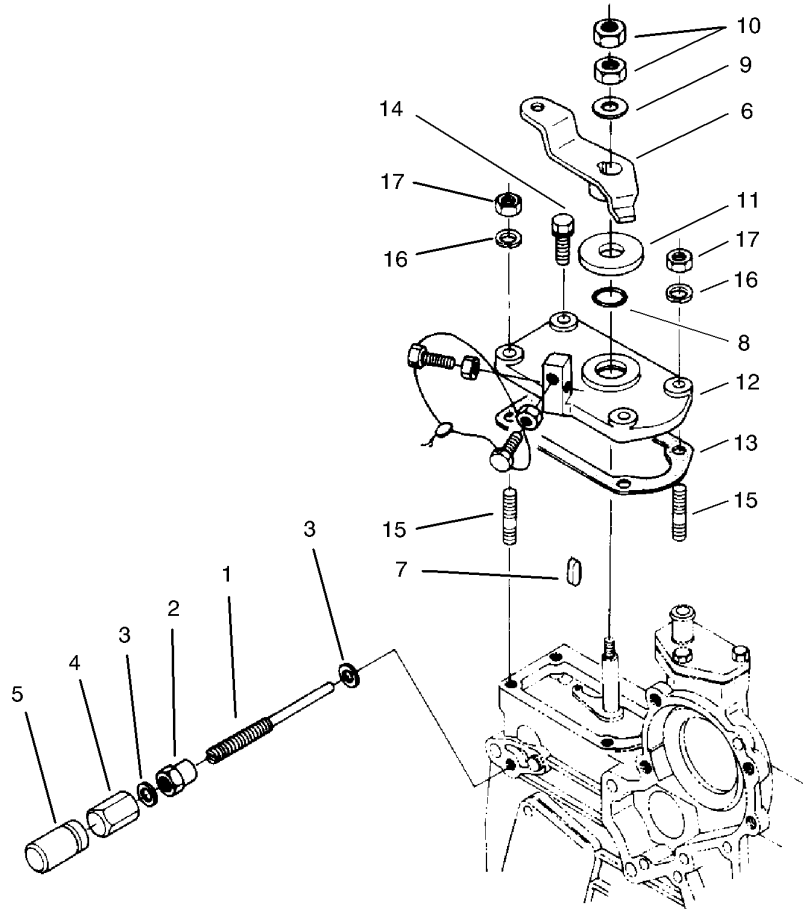
Ref	Part No.	Qty.	Description
1	98-7619	4	Plunger-Pump
2	98-7620	4	Valve-Delivery
3	98-7621	4	Spring-Valve, Delivery
4	98-7622	4	Gasket-Valve, Delivery
5	98-7623	4	Holder-Valve, Delivery
6	98-7624	2	Lock Plate ASM
7	98-7625	4	Tappet ASM
8	98-7626	4	Pin-Guide, Tappet
9	98-7627	2	Plate
10	98-7628	4	Spring-Plunger
11	98-7629	4	Seat-Spring, Upper
12	98-7630	4	Seat-Spring, Lower
13	98-7631	4	Shim
14	98-7632	1	Rack-Control
15	98-7634	4	Sleeve-Control
16	98-7635	1	Screw
17	98-7636	2	Gasket
18	98-7637	4	O-Ring



Governor Assembly

Ref	Part No.	Qty.	Description
1	98-7638	1	Lever-Governor
2	98-7639	1	Fork Lever ASM
2:1	98-7640	1	Shaft-Lever, Fork
2:2	98-7641	1	Bolt-Shaft, Lever
2:3	98-7515	2	Washer-Spring
2:4	98-7643	1	Holder-Lever, Fork
2:5	98-7644	1	Bolt
10	98-7645	2	Bolt
11	98-7646	1	Bolt
12	98-7536	2	Washer-Plain
13	98-7648	1	Washer-Plain
14	98-7649	1	Spring-Start
15	98-7650	1	Spring-Governor
16	98-7651	1	Spring-Governor

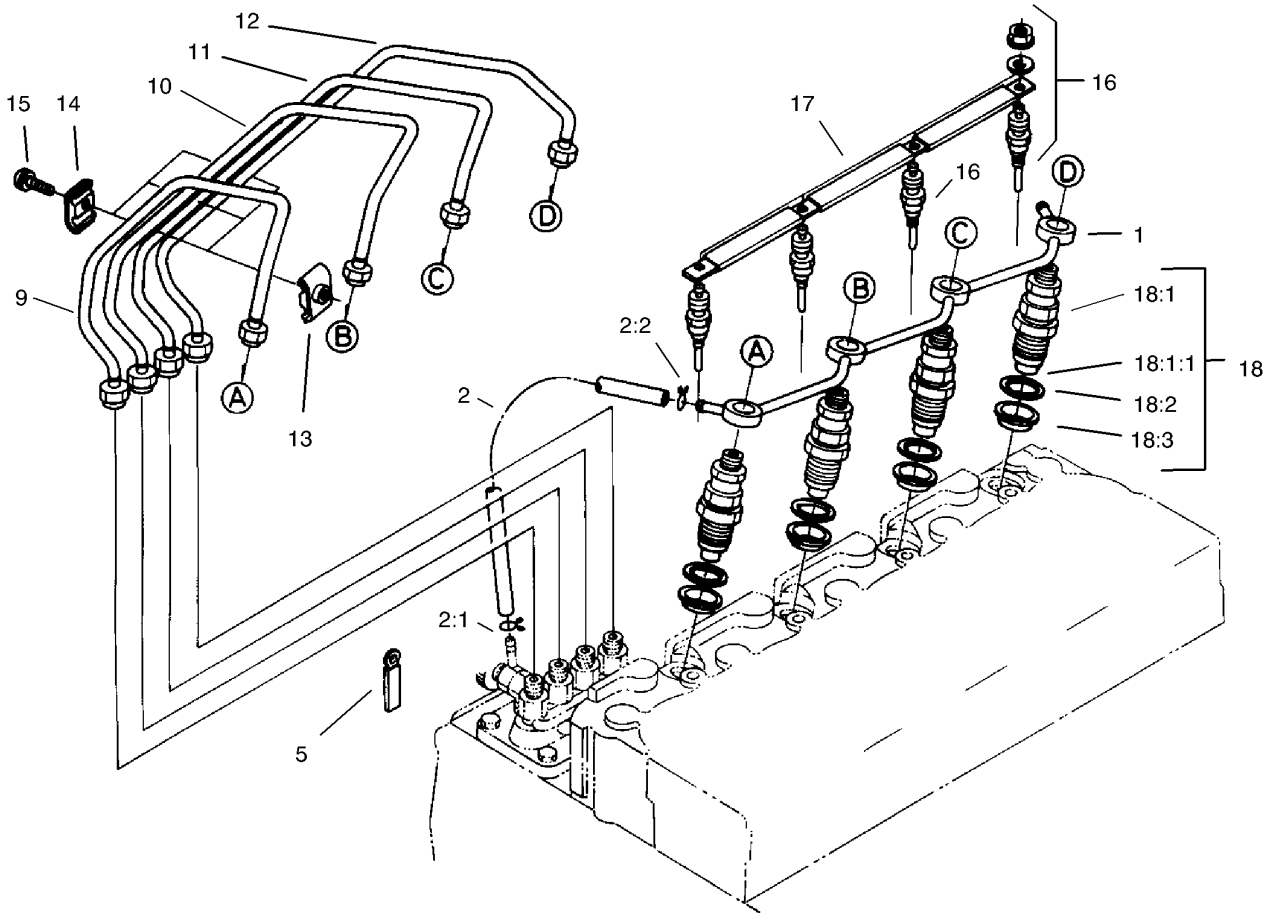
--	--	--	--	--	--	--	--



Speed Control Plate Assembly

Ref	Part No.	Qty.	Description
1	98-7652	1	Bolt-Adjusting
2	98-7653	1	Nut
3	98-7654	2	Gasket
4	98-7655	1	Nut-Cap
5	98-7656	1	Cap
6	98-7657	1	Lever-Control, Speed
7	98-7658	1	Key-Feather
8	98-7659	1	O-Ring
9	98-7660	1	Washer-Plain
10	98-7661	2	Nut
11	98-7662	1	Collar
12	98-7663	1	Plate-Control, Speed
13	98-7664	1	Gasket
14	98-7568	2	Bolt
15	98-7571	2	Stud
16	98-7515	2	Washer-Spring
17	98-7572	2	Nut

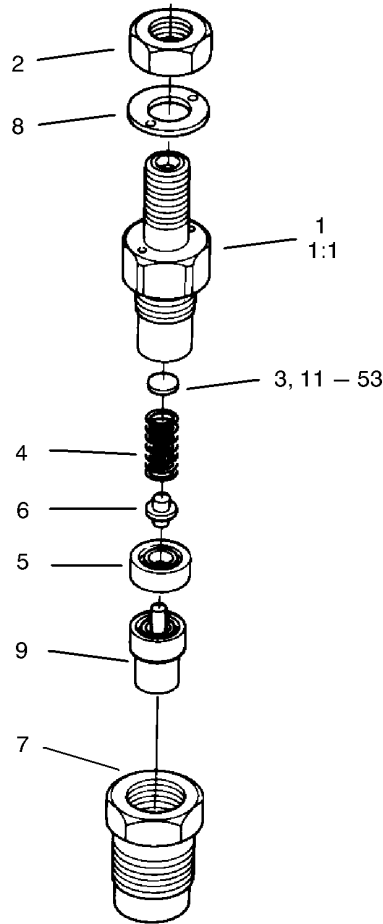
--	--	--	--



Nozzle Holder and Glow Plug Assembly

Ref	Part No.	Qty.	Description
1	98-7669	1	Over Flow Pipe ASM
2	98-7670	1	Overflow Pipe ASM
2:1	98-7671	1	Clip-Pipe
2:2	98-7672	1	Clip-Pipe
5	98-7673	1	Clamp-Cord
9	98-7678	1	Pipe-Injection
10	98-7679	1	Pipe-Injection
11	98-7680	1	Pipe-Injection
12	98-7681	1	Pipe-Injection
13	98-7682	3	Clamp-Pipe
14	98-7683	3	Clamp-Pipe
15	98-7684	3	Screw W/washer ASM
16	98-7685	4	Plug-Glow
17	98-7686	1	Cord-Plug, Glow
18	98-7687	4	Nozzle Holder Kit
18:1	98-7674	4	Nozzle Holder ASM
18:1:1	98-7675	1	Piece-Nozzle
18:2	98-7676	4	Gasket
18:3	98-7677	4	Seal

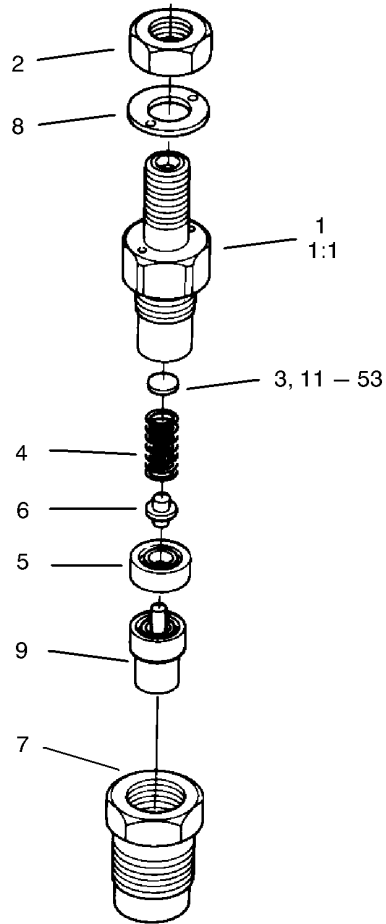
--	--	--	--



Nozzle Holder Assembly No. 98-7688

Ref	Part No.	Qty.	Description
1	98-7674	4	Nozzle Holder ASM
1:1	98-7675	1	Piece-Nozzle
2	98-7613	4	Nut
3	98-7642	4	Washer-Adjusting
4	98-7647	4	Spring-Nozzle
5	98-7665	4	Piece-Distant
6	98-7666	4	Rod-Push
7	98-7667	4	Nut-Nozzle
8	98-7668	4	Washer
9	98-7700	4	Piece-Nozzle
11	98-7642	4	Washer-Adjusting
12	98-7841	4	Washer-Adjusting
13	98-7842	4	Washer-Adjusting
14	98-7843	4	Washer-Adjusting
15	98-7844	4	Washer-Adjusting
16	98-7845	4	Washer-Adjusting
17	98-7846	4	Washer-Adjusting
18	98-7847	4	Washer-Adjusting
19	98-7848	4	Washer-Adjusting
20	98-7849	4	Washer-Adjusting
21	98-7850	4	Washer-Adjusting
22	98-7851	4	Washer-Adjusting
23	98-7852	4	Washer-Adjusting
24	98-7853	4	Washer-Adjusting

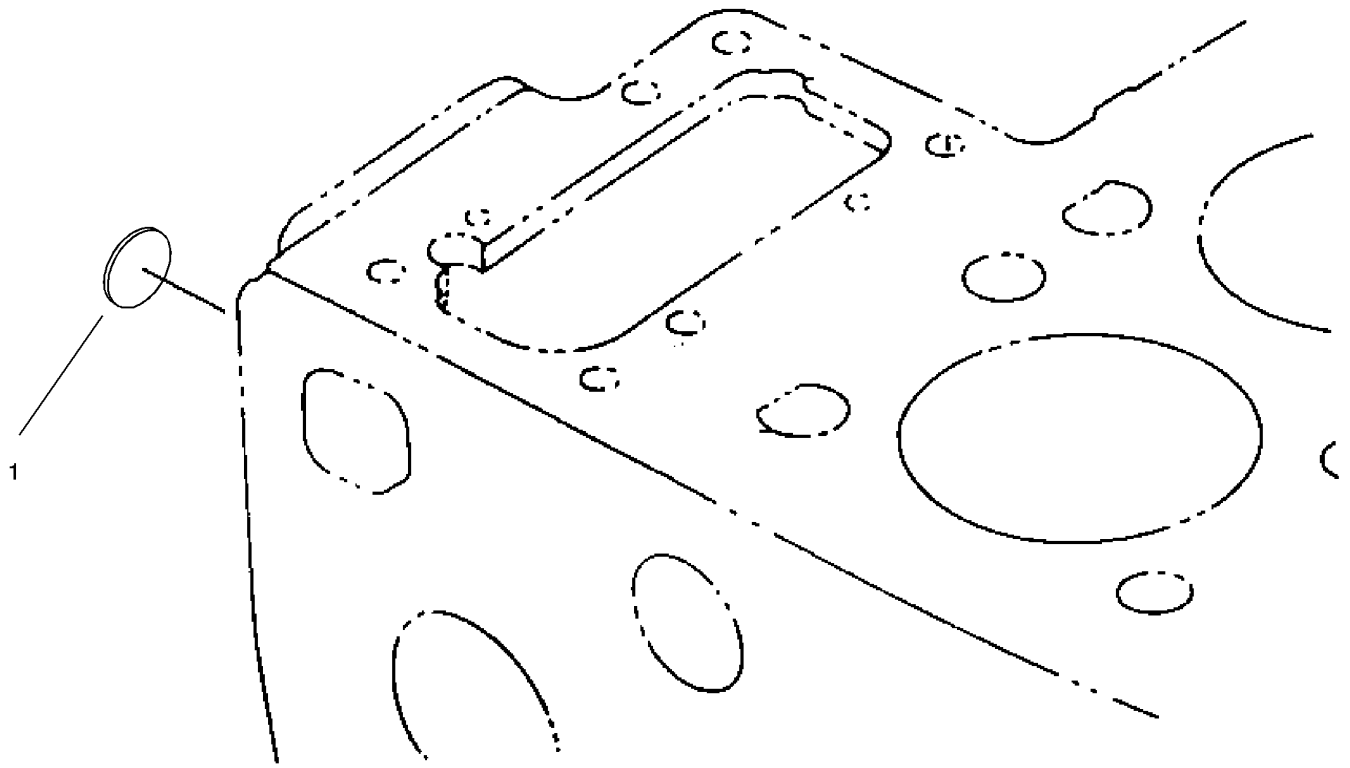
Ref	Part No.	Qty.	Description
25	98-7854	4	Washer-Adjusting
26	98-7855	4	Washer-Adjusting
27	98-7856	4	Washer-Adjusting
28	98-7857	4	Washer-Adjusting
29	98-7858	4	Washer-Adjusting
30	98-7859	4	Washer-Adjusting
31	98-7860	4	Washer-Adjusting
32	98-7861	4	Washer-Adjusting
33	98-7862	4	Washer-Adjusting
34	98-7863	4	Washer-Adjusting
35	98-7864	4	Washer-Adjusting
36	98-7865	4	Washer-Adjusting
37	98-7866	4	Washer-Adjusting
38	98-7867	4	Washer-Adjusting
39	98-7868	4	Washer-Adjusting
40	98-7869	4	Washer-Adjusting
41	98-7870	4	Washer-Adjusting
42	98-7871	4	Washer-Adjusting
43	98-7872	4	Washer-Adjusting
44	98-7873	4	Washer-Adjusting
45	98-7874	4	Washer-Adjusting
46	98-7875	4	Washer-Adjusting
47	98-7876	4	Washer-Adjusting
48	98-7877	4	Washer-Adjusting



Nozzle Holder Assembly No. 98-7688 (continued)

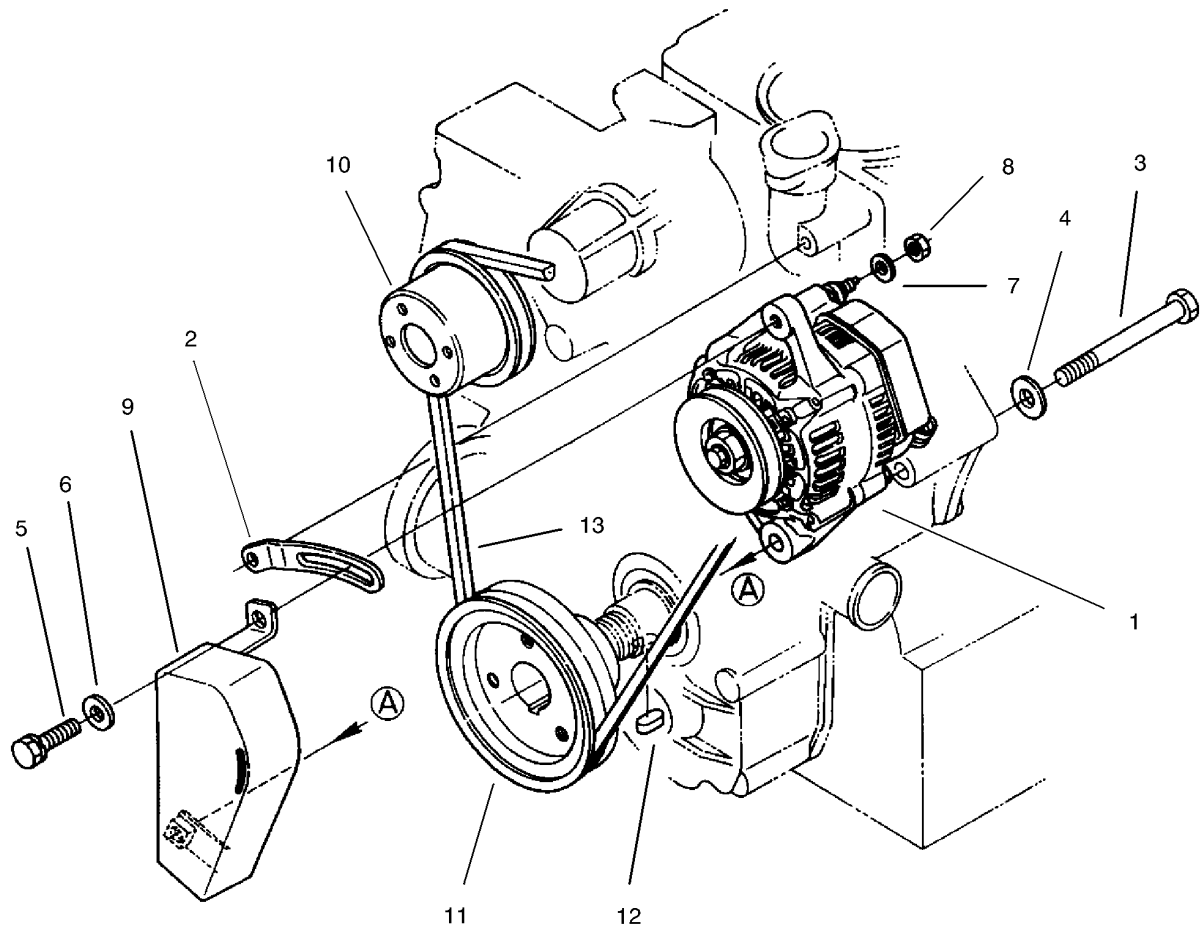
Ref	Part No.	Qty.	Description
49	98-7878	4	Washer-Adjusting
50	98-7879	4	Washer-Adjusting
51	98-7880	4	Washer-Adjusting
52	98-7881	4	Washer-Adjusting
53	98-7882	4	Washer-Adjusting

--	--	--	--



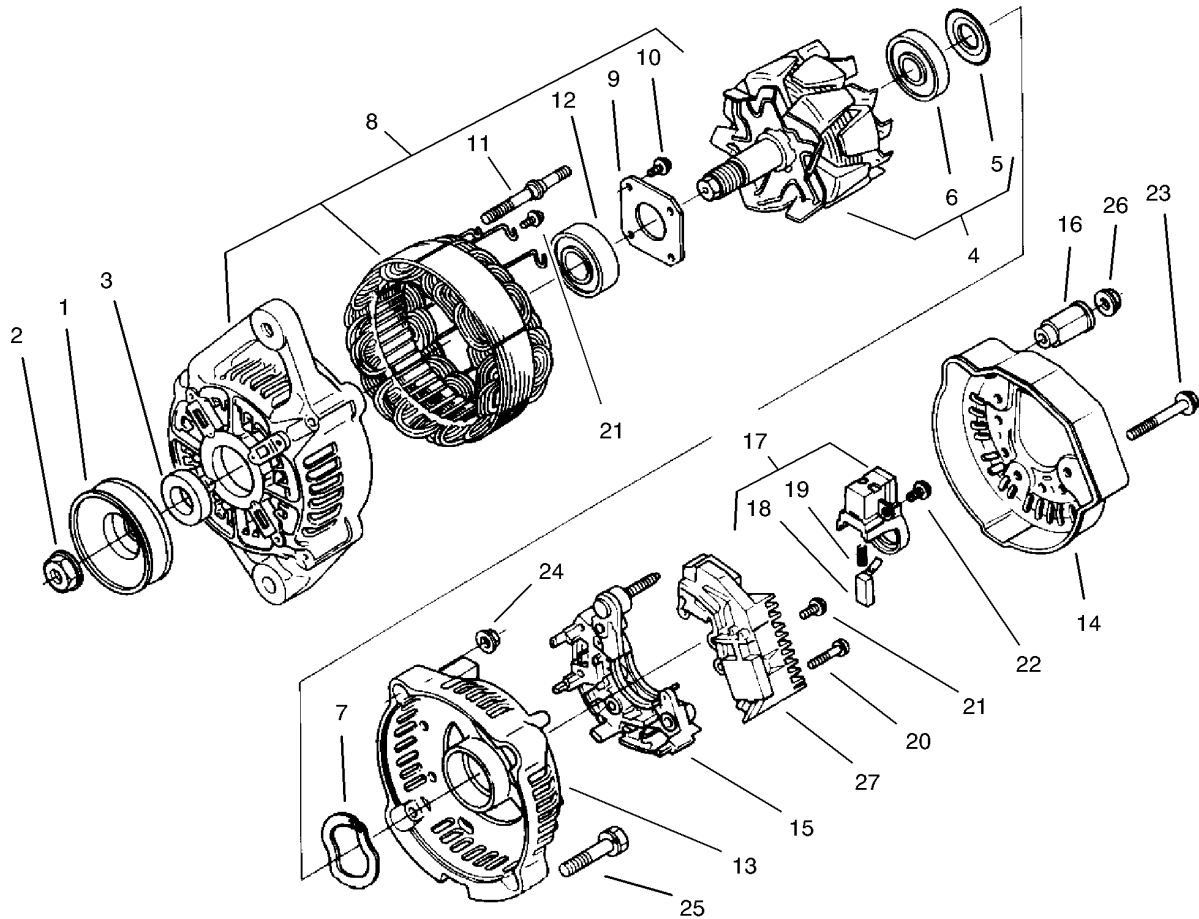
Sealing Cap Assembly

Ref	Part No.	Qty.	Description				
1	105-2883	1	Cap-Sealing				



Alternator and Pulley Assembly

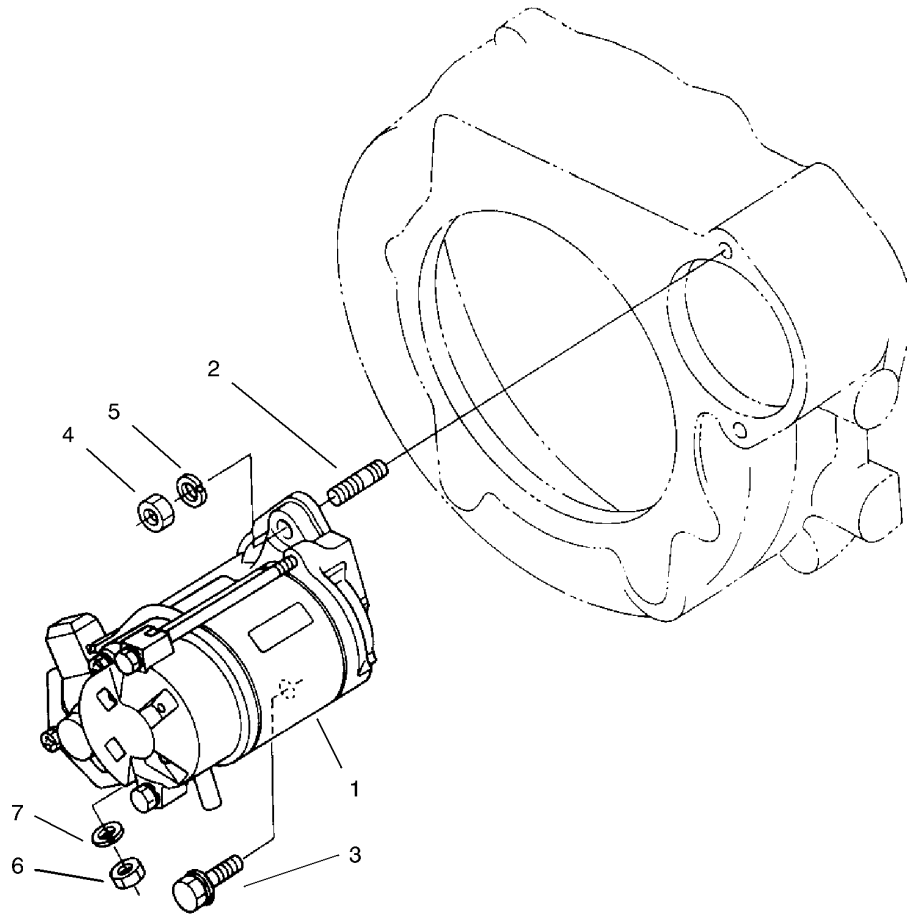
Ref	Part No.	Qty.	Description
1	98-7693	1	Alternator ASM
2	98-7694	1	Bracket-Alternator
3	98-7695	1	Bolt
4	98-7696	1	Washer-Plain
5	98-7697	1	Bolt
6	98-7698	1	Washer-Plain
7	98-7699	1	Washer-Spring
8	98-7572	1	Nut
9	98-7701	1	Cover-Belt
10	98-7702	1	Pulley-Fan
11	98-7703	1	Pulley-Drive, Fan
12	98-7451	1	Key-Feather
13	98-7705	1	V-Belt



Alternator Assembly No. 98-7693

Ref	Part No.	Qty.	Description
1	98-7707	1	Pulley-Alternator
2	98-7708	1	Nut
3	98-7709	1	Collar
4	98-7710	1	Rotor
5	98-7711	1	Cover-Bearing
6	98-7712	1	Bearing-Ball
7	98-7713	1	Washer-Thrust
8	98-7714	1	Frame-End, Drive
9	98-7715	1	Plate-Retainer
10	98-7716	4	Screw-Head, Round
11	98-7717	2	Bolt-Through
12	98-7718	1	Bearing-Ball
13	98-7719	1	Frame-End
14	98-7720	1	Cover-End
15	98-7721	1	Rectifier ASM
16	98-7722	1	Bushing-Insulation
17	98-7723	1	Holder-Brush
18	98-7724	2	Brush
19	98-7725	2	Spring-Brush
20	98-7726	2	Screw-Head, Round
21	98-7727	6	Screw-Head, Round
22	98-7728	1	Screw-Head, Round
23	98-7729	3	Bolt
24	98-7730	2	Nut

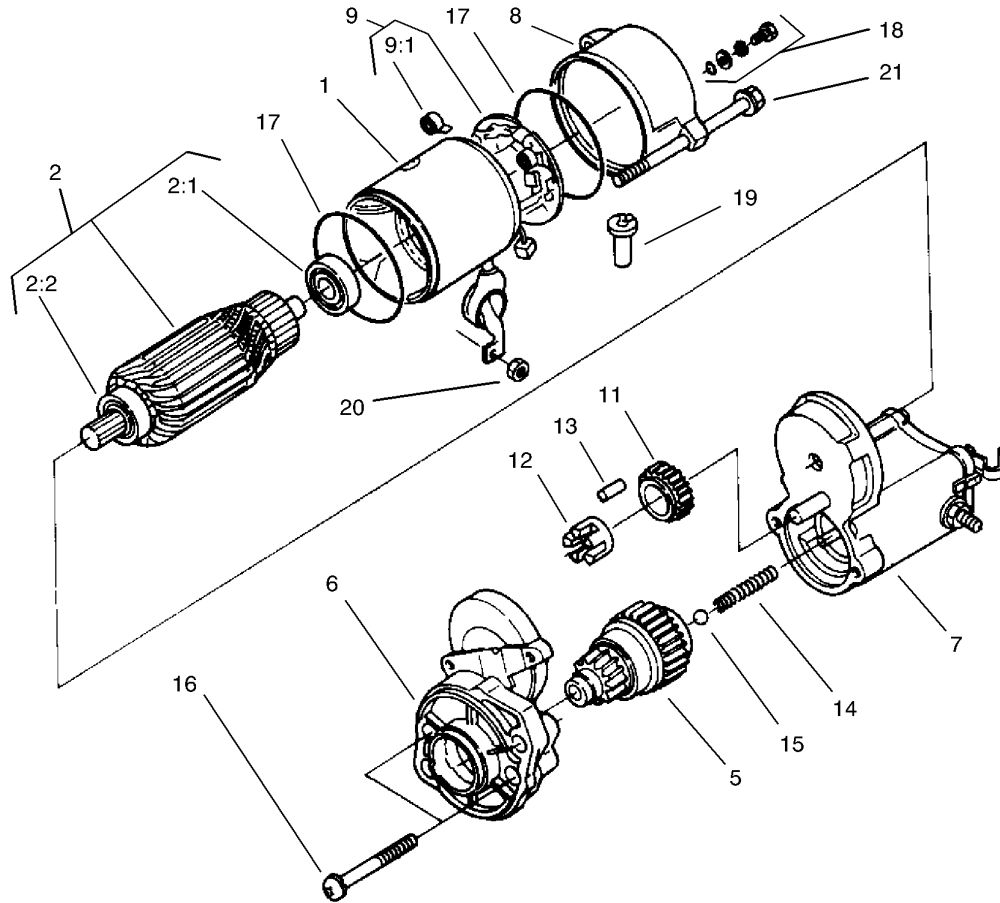
Ref	Part No.	Qty.	Description
25	98-7731	2	Bolt
26	98-7732	1	Nut
27	98-7733	1	Regulator ASM



Starter Assembly

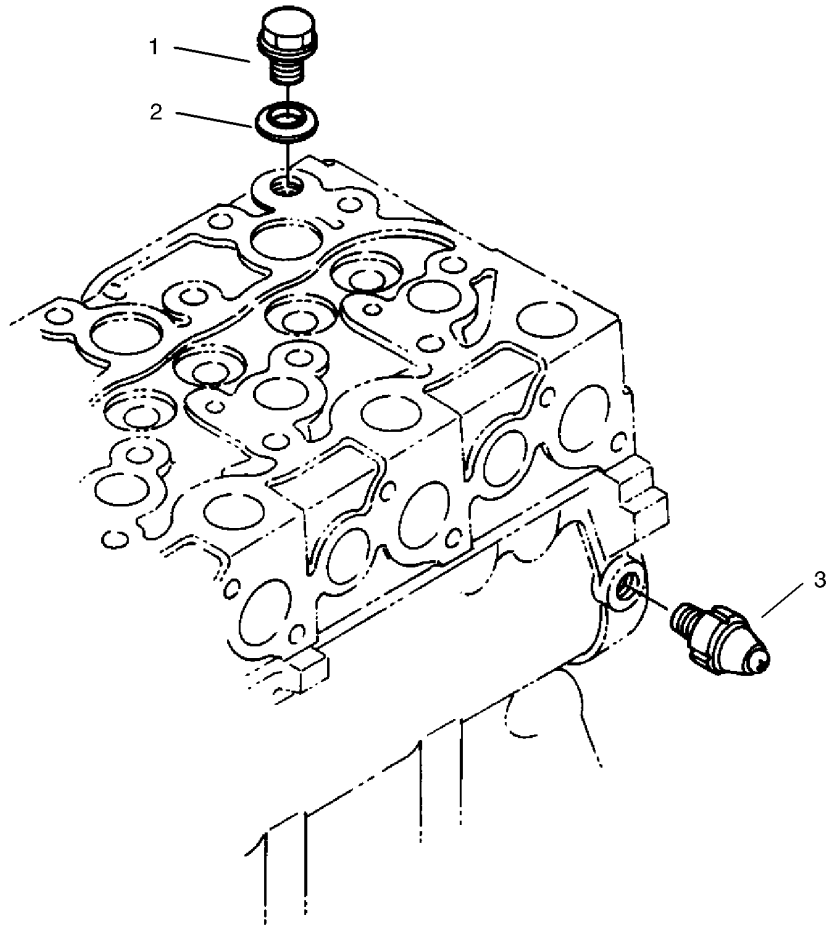
Ref	Part No.	Qty.	Description
1	98-7734	1	Starter ASM
2	98-7735	1	Stud
3	98-7736	1	Bolt
4	98-7737	1	Nut
5	98-7738	1	Washer-Spring
6	98-7739	1	Nut
7	98-7535	1	Washer-Spring

--	--	--	--



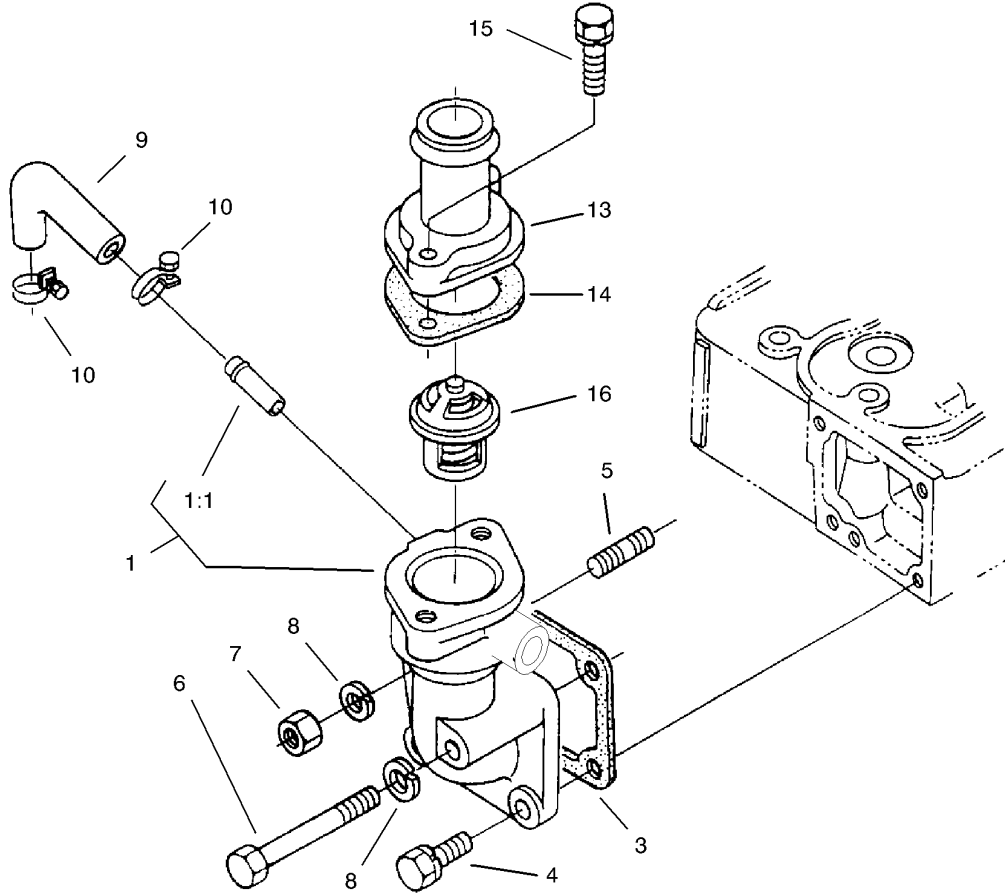
Starter Assembly No. 98-7734

Ref	Part No.	Qty.	Description				
1	98-7741	1	Yoke ASM				
2	98-7742	1	Armature ASM				
2:1	98-7743	1	Bearing				
2:2	98-7744	1	Bearing				
5	98-7745	1	Clutch-Running, Over				
6	98-7746	1	Frame-End, Drive				
7	98-7747	1	Magnetic Switch ASM				
8	98-7748	1	Frame-End				
9	98-7749	1	Brush Holder ASM				
9:1	98-7750	4	Spring-Brush				
11	98-7751	1	Gear				
12	98-7752	1	Retainer				
13	98-7753	5	Roller				
14	98-7754	1	Spring				
15	98-7755	1	Ball				
16	98-7756	2	Bolt				
17	98-7757	2	O-Ring				
18	98-7758	2	Bolt ASM				
19	98-7759	1	Pipe-Drain				
20	98-7760	1	Nut-Hex				
21	98-7761	2	Bolt-Through				



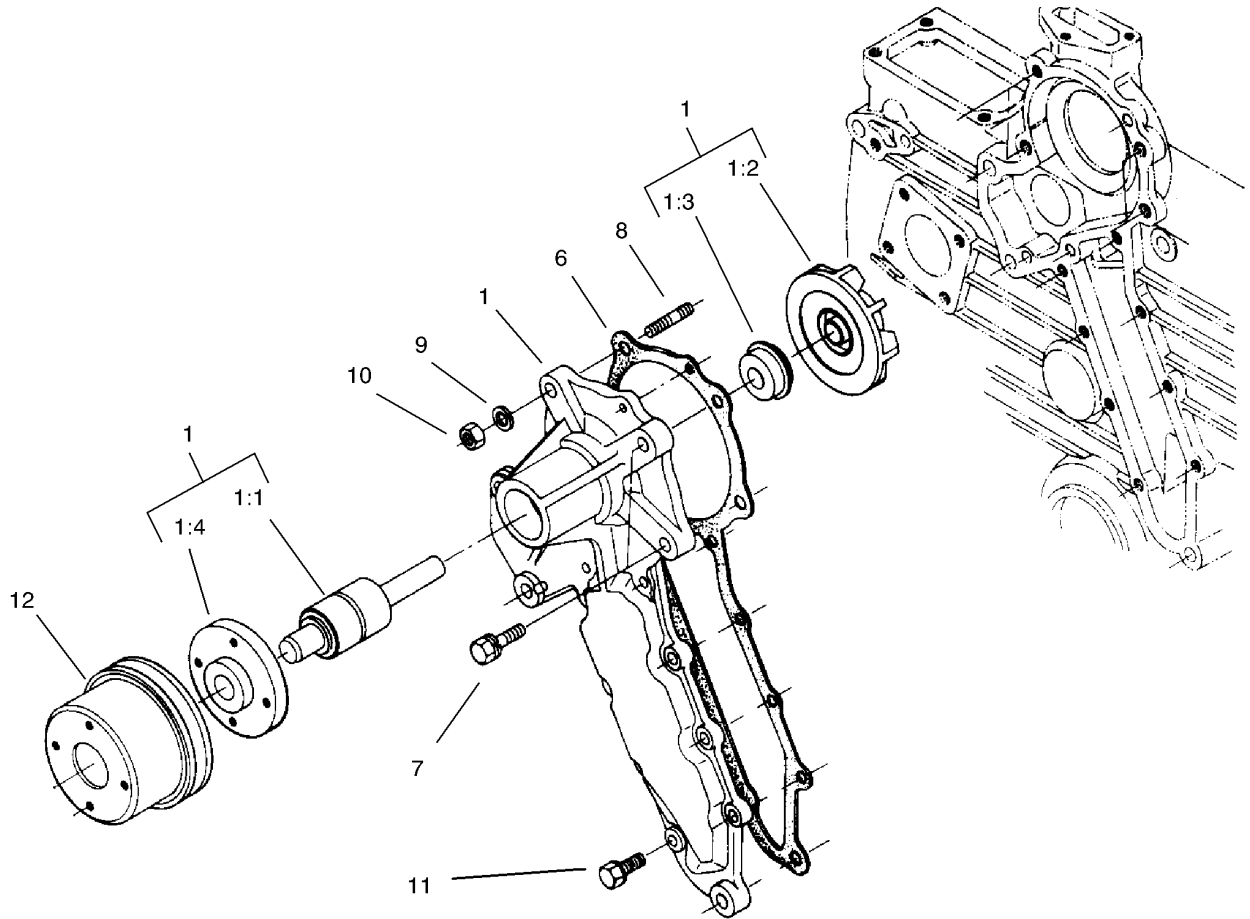
Oil Switch and Plug Assembly

Ref	Part No.	Qty.	Description
1	98-7762	1	Plug-Glow
2	98-7763	1	Washer W/rubber
3	98-7764	1	Switch-Oil



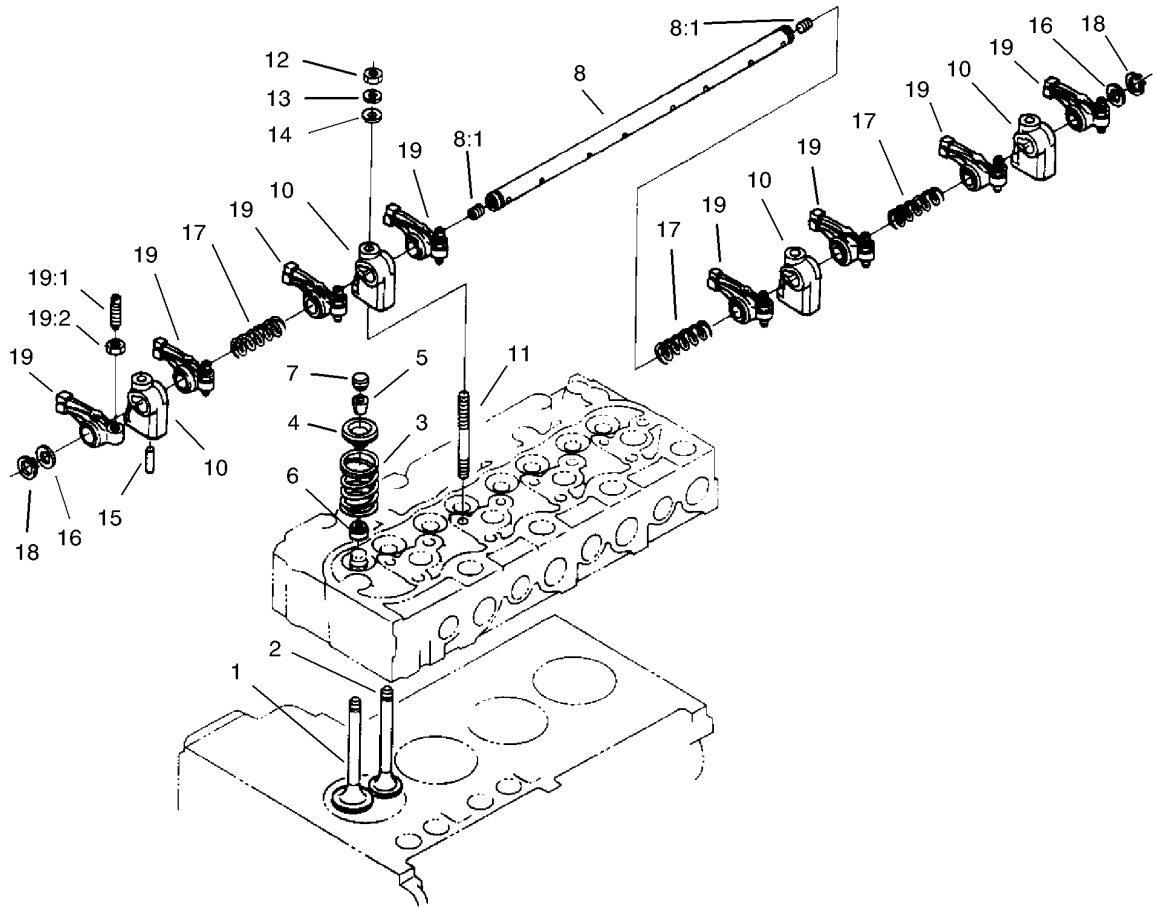
Water Flange and Thermostat Assembly

Ref	Part No.	Qty.	Description
1	98-7765	1	Flange-Water, Complete
1:1	98-7766	1	Pipe-Return, Water
3	98-7767	1	Gasket-Flange, Water
4	98-7610	2	Bolt
5	98-7769	1	Stud
6	98-7554	1	Bolt
7	98-7534	1	Nut
8	98-7535	2	Washer-Spring
9	98-7773	1	Pipe-Return, Water
10	98-7774	2	Band-Pipe
13	98-7775	1	Cover-Thermostat
14	98-7776	1	Gasket
15	98-7777	1	Bolt
16	98-7778	1	Thermostat ASM



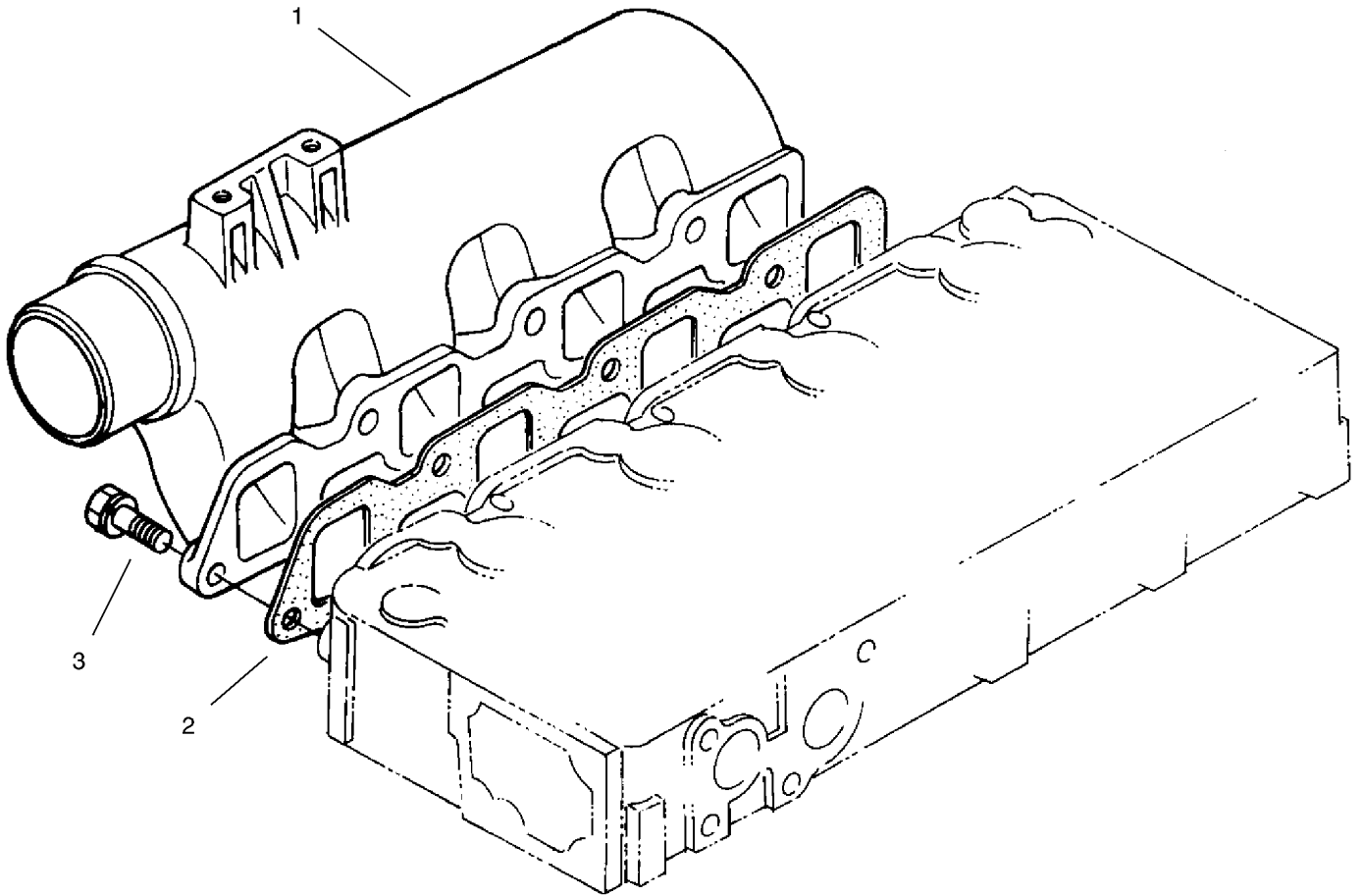
Water Pump Assembly

Ref	Part No.	Qty.	Description
1	98-7779	1	Water Pump ASM
1:1	98-7780	1	Bearing-Ball
1:2	98-7781	1	Impeller-Pump, Water
1:3	98-7782	1	Mechanical Seal ASM
1:4	98-7783	1	Flange-Pump, Water
6	98-7784	1	Gasket-Pump, Water
7	98-7439	2	Bolt
8	98-7786	2	Stud
9	98-7535	2	Washer-Spring
10	98-7534	2	Nut
11	98-7605	8	Bolt
12	98-7702	1	Pulley-Fan



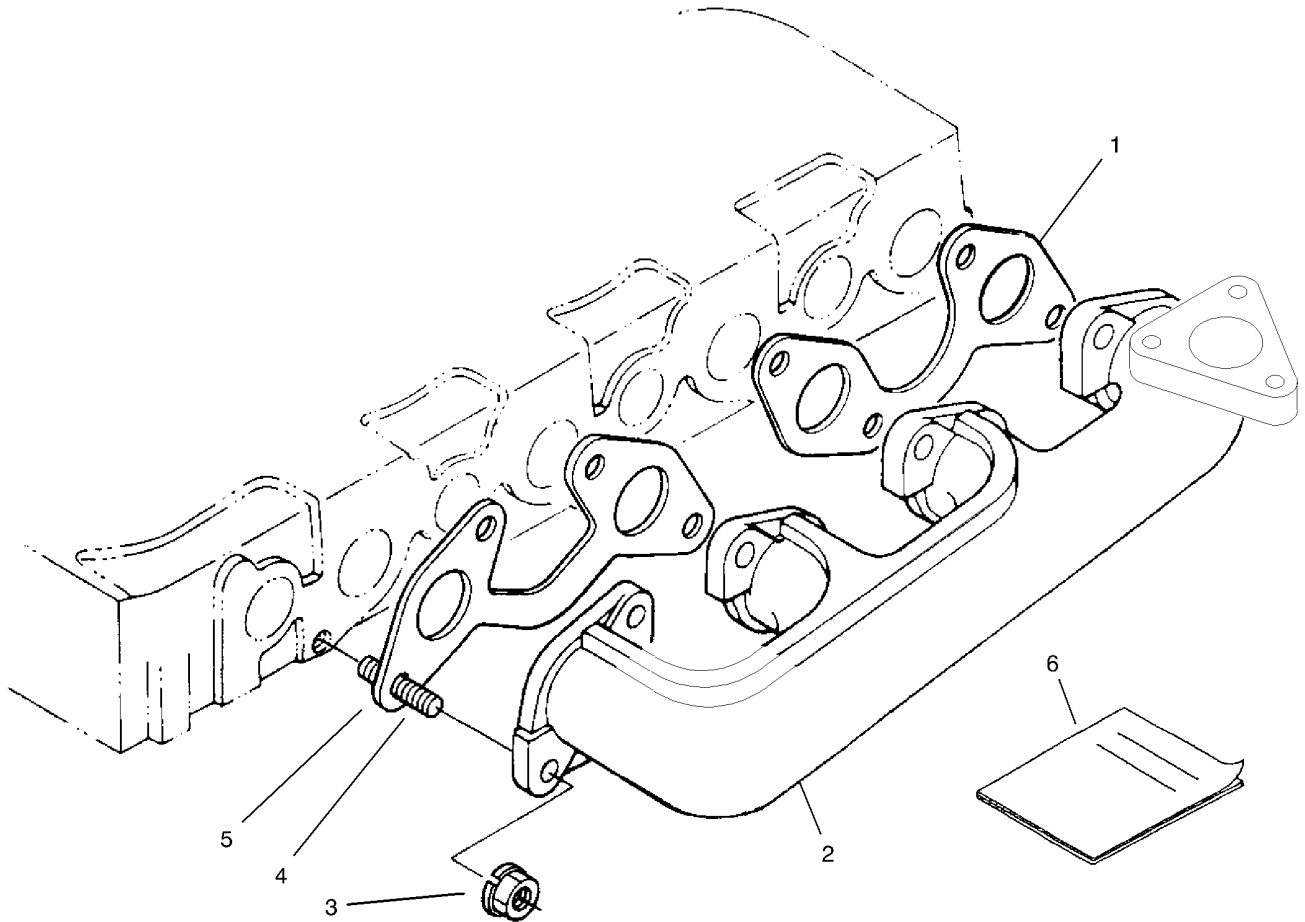
Valve and Rocker Assembly

Ref	Part No.	Qty.	Description
1	98-7791	4	Valve-Inlet
2	98-7792	4	Valve-Exhaust
3	98-7793	8	Spring-Valve
4	98-7794	8	Retainer-Spring, Valve
5	98-7795	8	Collet-Spring, Valve
6	98-7796	8	Seal-Stem, Valve
7	98-7797	8	Cap-Valve
8	98-7798	1	Rocker Arm Shaft ASM
8:1	98-7799	2	Screw-Set
10	98-7800	4	Bracket-Arm, Rocker
11	98-7801	4	Stud
12	98-7534	4	Nut
13	98-7535	4	Washer-Spring
14	98-7536	4	Washer-Plain
15	98-7805	1	Pin-Spring
16	98-7806	2	Washer
17	98-7807	3	Spring-Arm, Rocker
18	98-7808	2	Clip-Cir., External
19	98-7809	8	Rocker Arm ASM
19:1	98-7810	1	Screw-Adjusting
19:2	98-7811	1	Nut



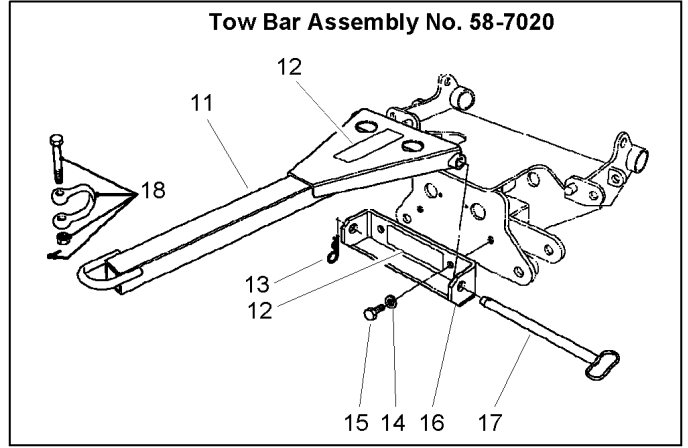
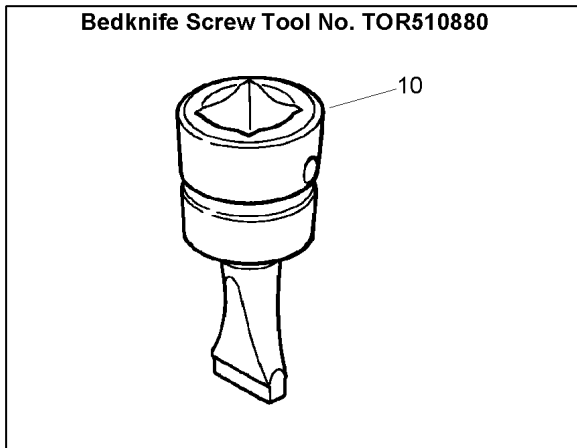
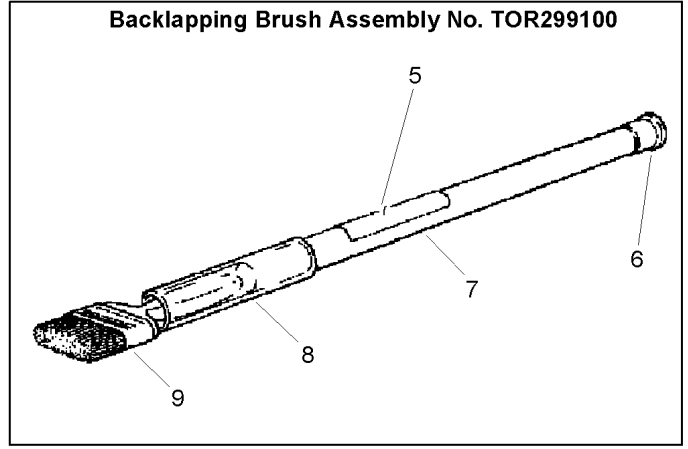
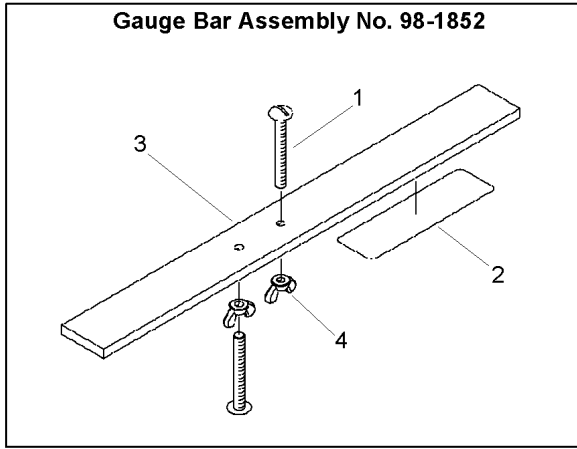
Inlet Manifold Assembly

Ref	Part No.	Qty.	Description				
1	98-7812	1	Manifold-Inlet				
2	98-7813	1	Gasket-Manifold, In				
3	98-7610	3	Bolt				



Exhaust Manifold Assembly

Ref	Part No.	Qty.	Description
1	98-7802	1	Gasket
2	98-7815	1	Manifold-Exhaust
3	100-1559	8	Nut-Manifold, Exhaust
4	100-1558	8	Stud-Manifold, Exhaust
5	98-7803	1	Gasket
6	105-3316	1	Manual-Operator, Kubota



Special Tools

Ref	Part No.	Qty.	Description
1	32122-54	1	Screw-Head, Truss
2	98-7976	1	Decal-Bar, Gauge
3		1	Bar
4	32103-3	1	Nut-Wing
5	12-9140	1	Decal-Body, Front
6	2410-18	1	Cap-Plastic
7	29-9080	1	Handle
8	29-9090	1	Hose-Handle
9	36-4310	1	Brush
10		1	Tool-Bedknife, Screw
11	12-7579	1	Tow Bar (Incl. Ref. #12)
12	63-4380	2	Decal-Tow Warning
13	60-4150	1	Pin-Lynch
14	48-8070	2	Washer-Lock
15	48-7830	2	Screw
16	12-7589	1	Tow Bar Bracket ASM (Incl. Ref. #12)
17	60-4120	1	Pin
18	60-4480	1	Shackle-Chain

NOTES

