



22in Recycler[®] Lawnmower

Model No. 20016 - 250000001 and up.

Parts Catalog

Ordering Replacement Parts

To order replacement parts, please supply the part number, the quantity, and the description of each part desired.

Understanding Reference Numbers

Each Identified part in an illustration has a reference number. The reference number for a part also appears in the parts list, along with other information about the part.

This catalog uses two special reference number formats, one to indicate parts in a service assembly and another to indicate the quantity of a given part in an illustration.

Service Assembly Reference Numbers

Parts in service assemblies have reference numbers in the form a:b. The a represents the reference number of the entire service assembly and the b represents a sequential number unique to each part within the service assembly.

For example, a wheel assembly might be identified by reference number 6, the tire by 6:1, the valve by 6:2, and the wheel by 6:3. When you order the assembly identified by reference number 6, you receive all parts identified by reference numbers 6:1, 6:2, and 6:3. However, you may also order any part individually. Reference numbers of this type appear in illustrations and in part lists.

Reference Numbers Indicating Quantity

In an illustration, if a reference number indicates more than one part, the reference number has the form nX y. The n represents the quantity of the part, the X is the multiplication symbol, and the y represents the reference number.

For example, in an illustration, the reference number 2X 37 means that two of the parts identified by reference number 37 are indicated.

Contents

| Description | Page | Description | Page |
|--|------|--|------|
| Deck, Side Chute, and Rear Door Assembly | 3 | Engine Assembly Tecumseh Lv195ea-362003b (continued) | 12 |
| Rear Axle and High Wheel Assembly | 4 | Carburetor Assembly No. 640303 Tecumseh Lv195ea-362003B | 14 |
| Front Axle and Transmission Assembly | 5 | Recoil Starter Assembly No. 590702 (Optional) Tecumseh Lv195ea-362003b | 15 |
| Transmission Assembly No. 106-3955 | 6 | Recoil Starter Assembly No. 590739 Tecumseh No. Lv195ea-362003b | 16 |
| Engine and Blade Assembly | 7 | | |
| HP-2 Bail Handle Assembly | 8 | | |
| Rear Bag Assembly | 9 | | |
| Engine Assembly Tecumseh Lv195ea-362003b | 10 | | |

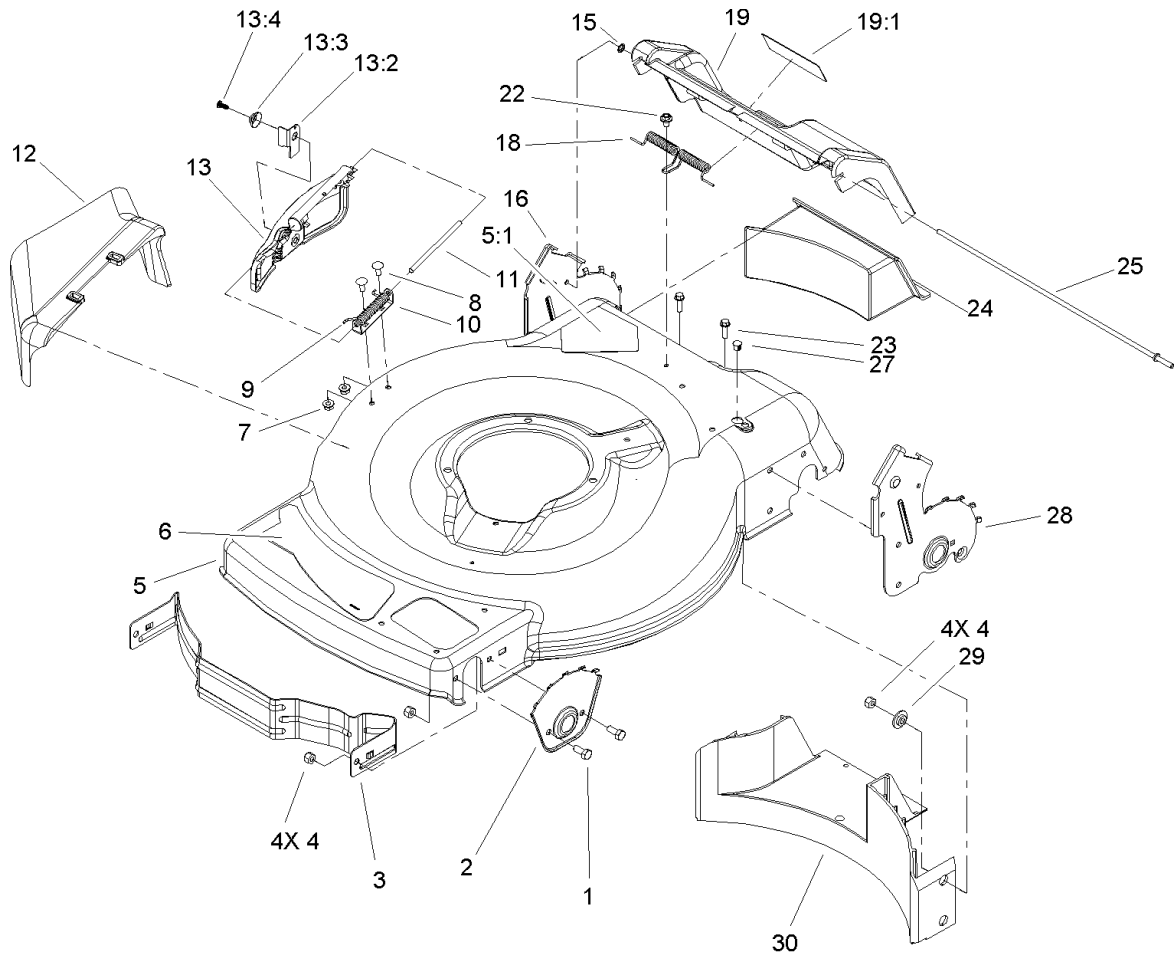
Part Description Abbreviations

Part descriptions in this catalog may include the following abbreviations.

| | |
|--|------------------------------------|
| AR. as required | INC. incorporated |
| ASM. assembly | LH. left hand |
| CARR. carriage | NI. nylon insert |
| DEG. degrees | PPH. phillips pan head |
| FH. flat head | PTH. phillips truss head |
| GA. gauge | PTO. power take off |
| HF. hex flange | RH. right hand |
| HH. hex head | SFH. slotted fillister head |
| HHF. hex head flange | SHH. slotted hex head |
| HHFTF. hex head flange thread forming | SHWH. slotted hex washer head |
| HJ. hex jam | SPH. slotted pan head |
| HLH. hex lag head | SQH. square head |
| HOC. height-of-cut | SRH. slotted round head |
| HS. hex | STD. standard |
| HSBH. hex socket button head | TAP. self tapping |
| HSFH. hex socket flat head | TTH. torx truss head |
| HSH. hex socket head | WH. wing head |
| HWH. hex washer head | |
| HWHTF. hex washer head thread forming | |
| HYD. hydraulic | |

Footnotes

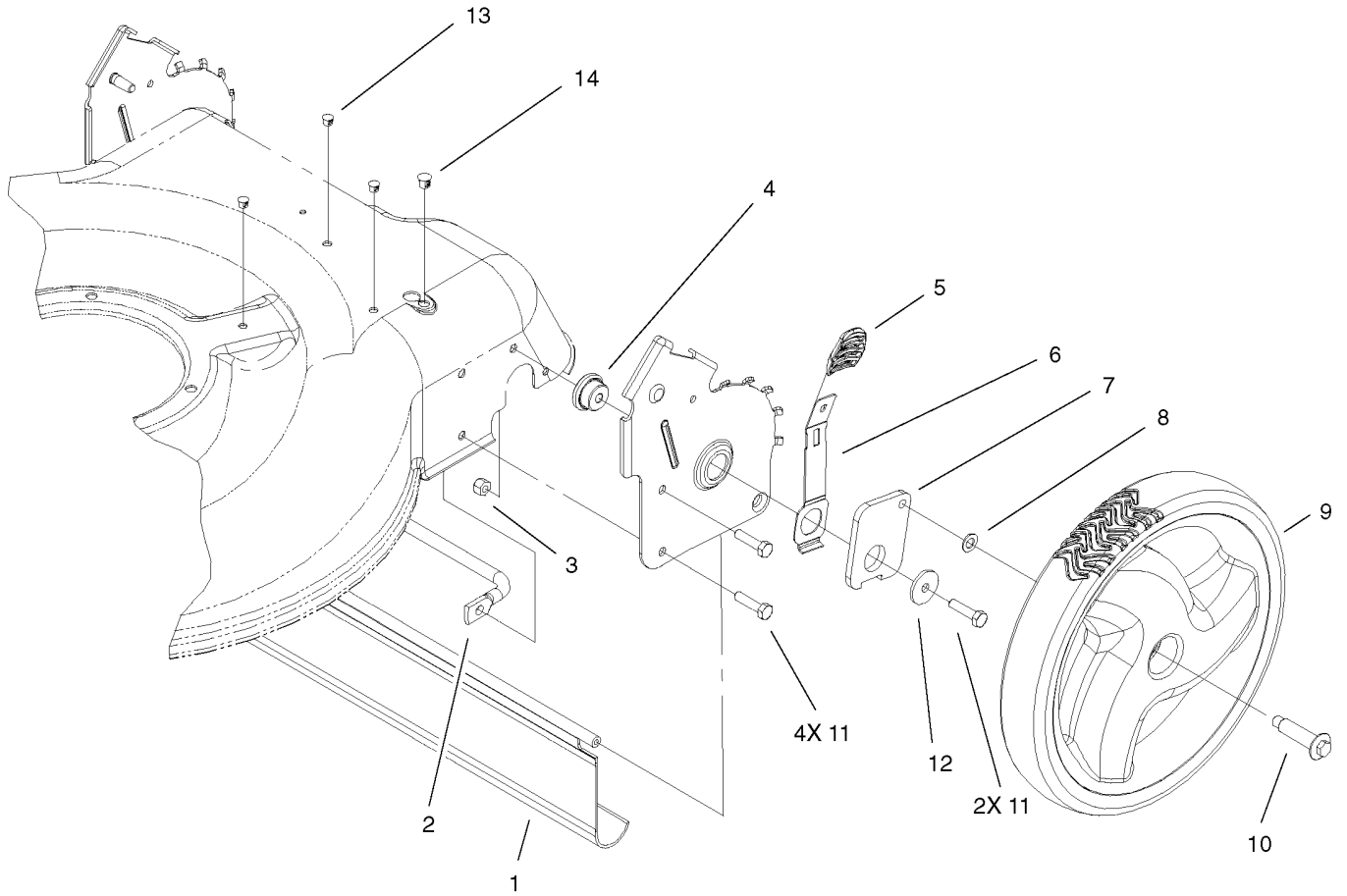
- | | |
|---|---|
| <ul style="list-style-type: none"> ❶ Not serviced separately ❸ Obtain parts from your local Tecumseh dealer | <ul style="list-style-type: none"> ❷ Included in Repair Kit No. 632809 |
|---|---|



Deck, Side Chute, and Rear Door Assembly

| Ref | Part No. | Qty. | Description |
|------|-------------|------|-----------------------|
| 1 | 322-3 | 4 | Screw-HH |
| 2 | 105-1808-03 | 2 | Plate-Hoc, Front |
| 3 | 104-8694-03 | 1 | Baffle-Front |
| 4 | 3296-29 | 8 | Nut-Lock, NI |
| 5 | 104-7915 | 1 | Housing |
| 5:1 | 105-6838 | 1 | Decal-Danger |
| 6 | 105-1296 | 1 | Decal-Deck |
| 7 | 32128-32 | 2 | Nut-HHF |
| 8 | 3229-11 | 2 | Screw-CARR |
| 9 | 99-5293 | 1 | Spring-Torsion |
| 10 | 99-5292 | 1 | Bracket-Cover |
| 11 | 99-5291 | 1 | Rod-Cover |
| 12 | 105-3028 | 1 | Chute-Discharge, Side |
| 13 | 106-8376 | 1 | Discharge Door ASM |
| 13:2 | 107-0795 | 1 | Latch-Door |
| 13:3 | 107-7456 | 1 | Cap-Door |
| 13:4 | 107-7461 | 1 | Screw-Plastite |
| 15 | 32112-6 | 1 | Nut-Push |
| 16 | 107-0791 | 1 | Plate-Hoc, RH |
| 18 | 105-3032 | 1 | Spring-Door, Rear |
| 19 | 105-1323 | 1 | Door |
| 19:1 | 105-1295 | 1 | Decal-Warning |
| 22 | 46-6810 | 1 | Screw And Washer ASM |
| 23 | 46-8091 | 2 | Screw-HWH |

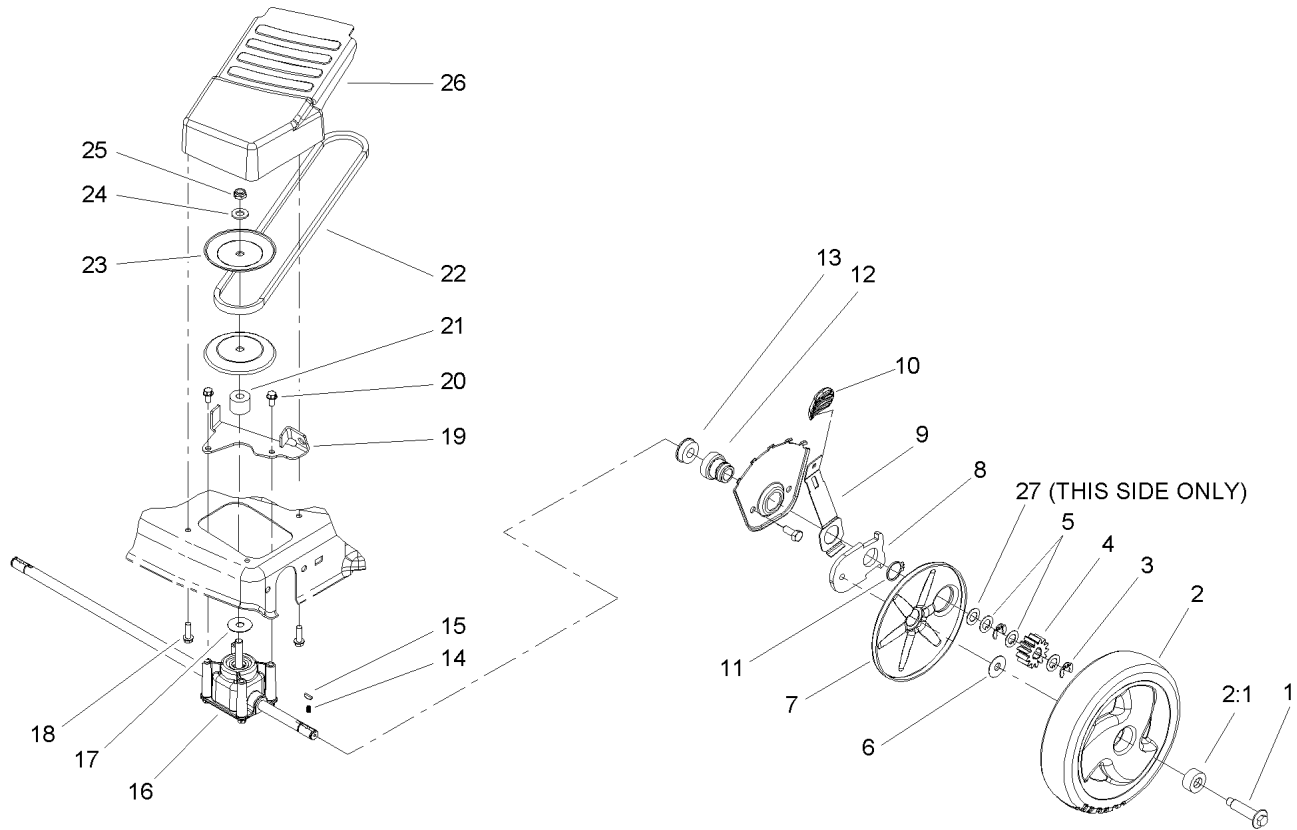
| Ref | Part No. | Qty. | Description |
|-----|----------|------|----------------------|
| 24 | 105-1842 | 1 | Plug-Discharge, Rear |
| 25 | 105-1827 | 1 | Rod-Pivot, Rear Door |
| 27 | 104-9369 | 1 | Plug-Dome |
| 28 | 107-0782 | 1 | Plate-Hoc, LH |
| 29 | 105-3006 | 4 | Washer-Stepped |
| 30 | 105-3047 | 1 | Baffle-Rear |



Rear Axle and High Wheel Assembly

| Ref | Part No. | Qty. | Description |
|-----|----------|------|--------------------|
| 1 | 105-1843 | 1 | Shield-Trailing |
| 2 | 105-1811 | 1 | Brace-HOC Plate |
| 3 | 3296-29 | 2 | Nut-Lock, NI |
| 4 | 105-1818 | 2 | Bushing-Mount, HOC |
| 5 | 105-3042 | 2 | Knob-Lever, HOC |
| 6 | 105-1809 | 2 | Arm-Spring |
| 7 | 105-1820 | 2 | Arm-Pivot, Rear |
| 8 | 40-1940 | 2 | Washer |
| 9 | 105-1816 | 2 | Wheel ASM |
| 10 | 614650 | 2 | Bolt-Shoulder |
| 11 | 322-6 | 6 | Screw-HH |
| 12 | 105-3048 | 2 | Washer-Flat |
| 13 | 104-9373 | 3 | Plug-Dome |
| 14 | 104-9368 | 1 | Plug-Dome |

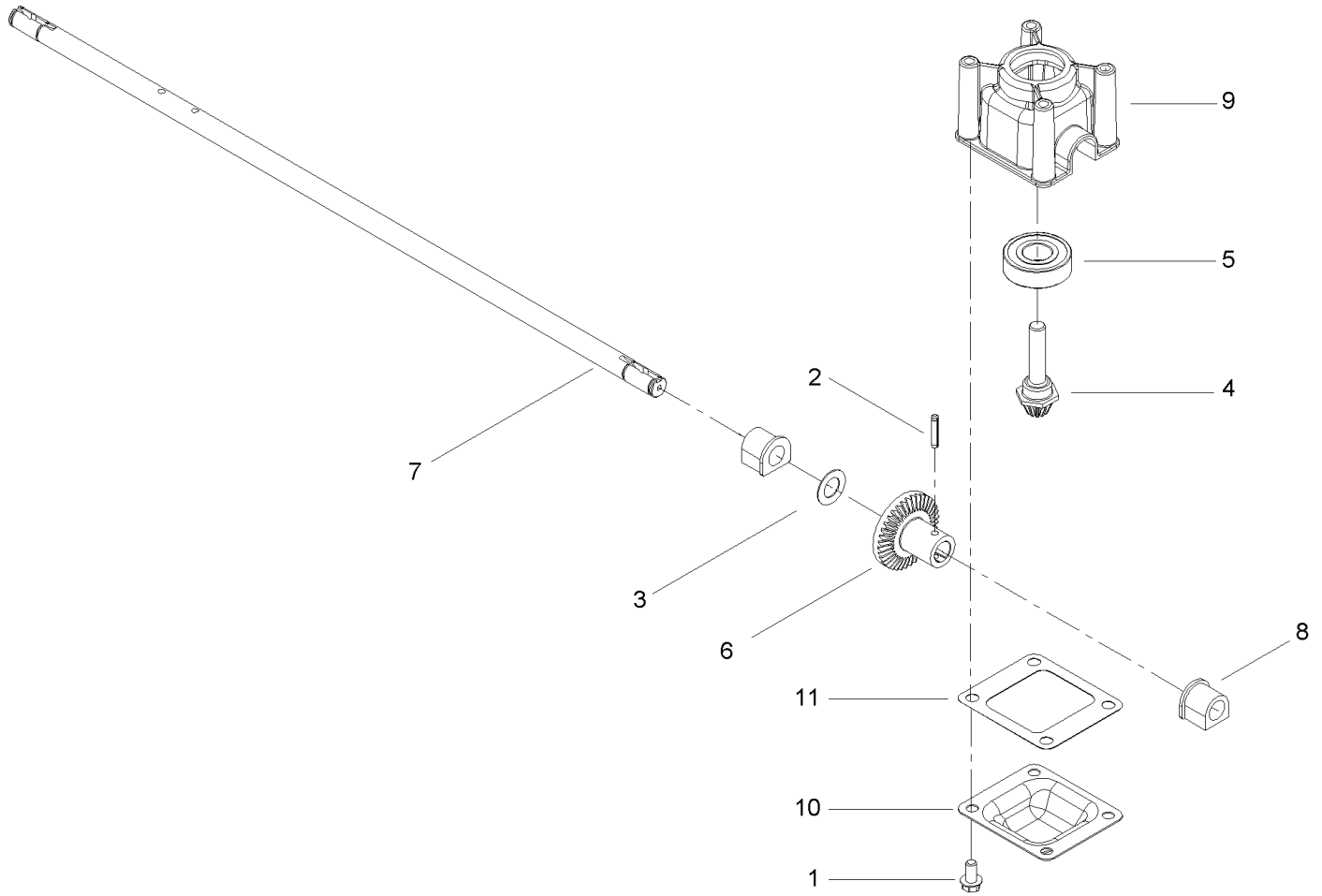
| | | | |
|--|--|--|--|
| | | | |
|--|--|--|--|



Front Axle and Transmission Assembly

| Ref | Part No. | Qty. | Description |
|-----|-------------|------|-----------------------|
| 1 | 614650 | 2 | Bolt-Shoulder |
| 2 | 105-1815 | 2 | Wheel Gear ASM |
| 2:1 | 27-6250 | 2 | Bushing |
| 3 | 65-2720 | 4 | Klipring-Locking |
| 4 | 104-8670 | 2 | Gear-Pinion, 13t |
| 5 | 105-6840 | 6 | Washer-Thrust |
| 6 | 614426 | 2 | Washer-Stepped |
| 7 | 105-1838 | 2 | Cover-Wheel |
| 8 | 105-1807 | 2 | Arm-Pivot, Front |
| 9 | 105-1809 | 2 | Arm-Spring |
| 10 | 105-3042 | 2 | Knob-Lever, HOC |
| 11 | 32151-36 | 2 | Ring-Retaining |
| 12 | 104-8698 | 2 | Retainer-Bearing, HOC |
| 13 | 104-8699 | 2 | Bearing-Ball |
| 14 | 39-9650 | 2 | Spring-Compression |
| 15 | 612066 | 2 | Key |
| 16 | 106-3955 | 1 | Fwd Transmission ASM |
| 17 | 105-6814 | 1 | Washer-Shield |
| 18 | 46-8091 | 2 | Screw-HWH |
| 19 | 105-1833-03 | 1 | Bracket-Pivot, Fwd |
| 20 | 32144-4 | 2 | Screw-HWH |
| 21 | 92-5791 | 1 | Spacer |
| 22 | 91-2258 | 1 | V-Belt |
| 23 | 104-8691 | 2 | Pulley-Half, Front |

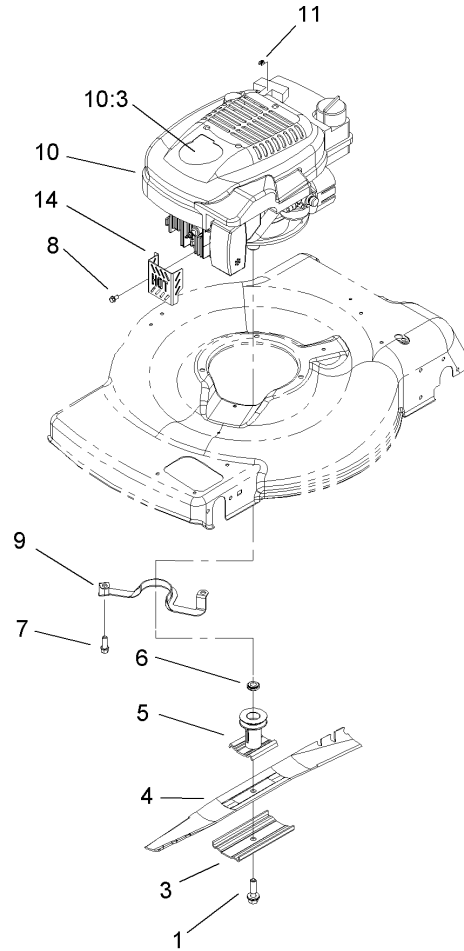
| Ref | Part No. | Qty. | Description |
|-----|----------|------|-------------------|
| 24 | 3256-24 | 1 | Washer-Flat |
| 25 | 3296-5 | 1 | Nut-Lock |
| 26 | 105-1839 | 1 | Cover-Belt, Front |
| 27 | 36-4780 | 1 | Washer |



Transmission Assembly No. 106-3955

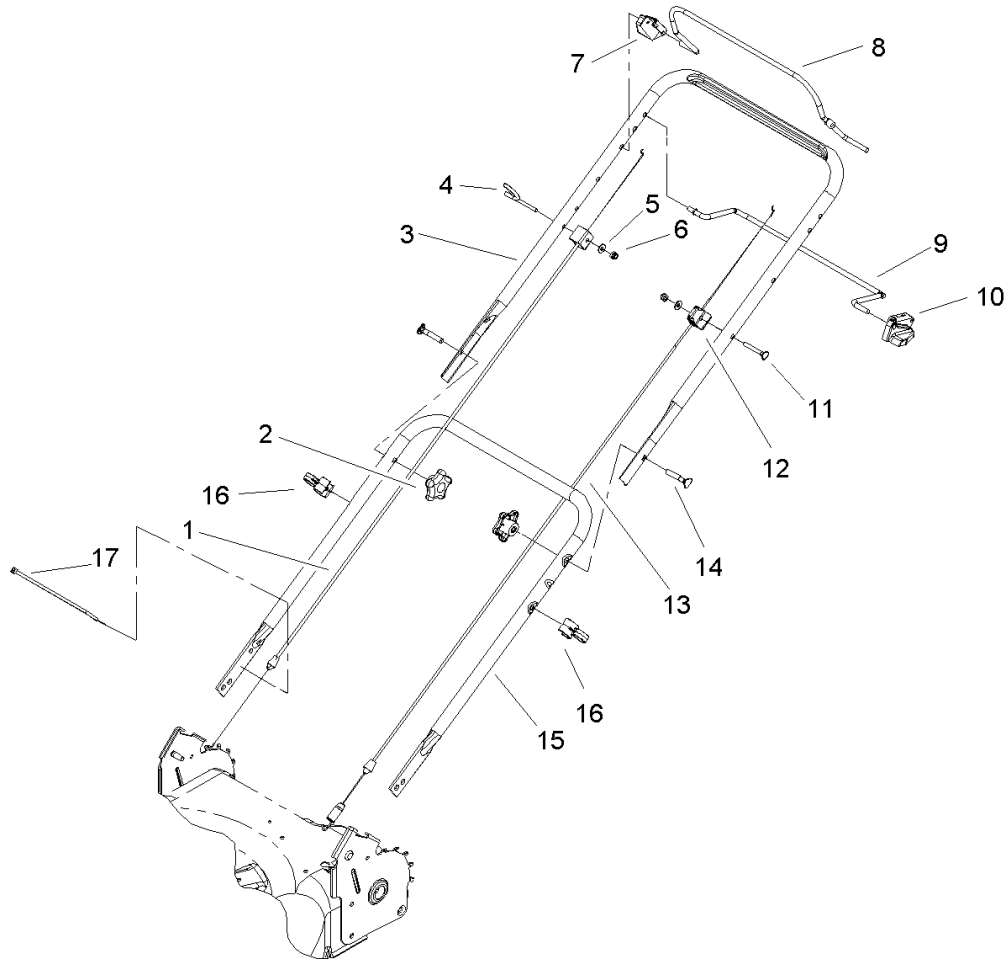
| Ref | Part No. | Qty. | Description |
|-----|-------------|------|-----------------------|
| 1 | 32144-4 | 4 | Screw-HWH |
| 2 | 3285-19 | 1 | Pin-Groove |
| 3 | 36-4780 | 1 | Washer |
| 4 | 92-5790 | 1 | Pinion |
| 5 | 100-1048 | 1 | Bearing-Ball |
| 6 | 104-8671 | 1 | Gear-Bevel, 37t |
| 7 | 106-3957 | 1 | Shaft-Output |
| 8 | 104-8673 | 2 | Bushing-Shaft, Output |
| 9 | 104-8674 | 1 | Gearcase-Upper |
| 10 | 104-8675-03 | 1 | Cover-Gearcase |
| 11 | 105-6839 | 1 | Gasket-Gearcase |

| | | | |
|--|--|--|--|
| | | | |
|--|--|--|--|



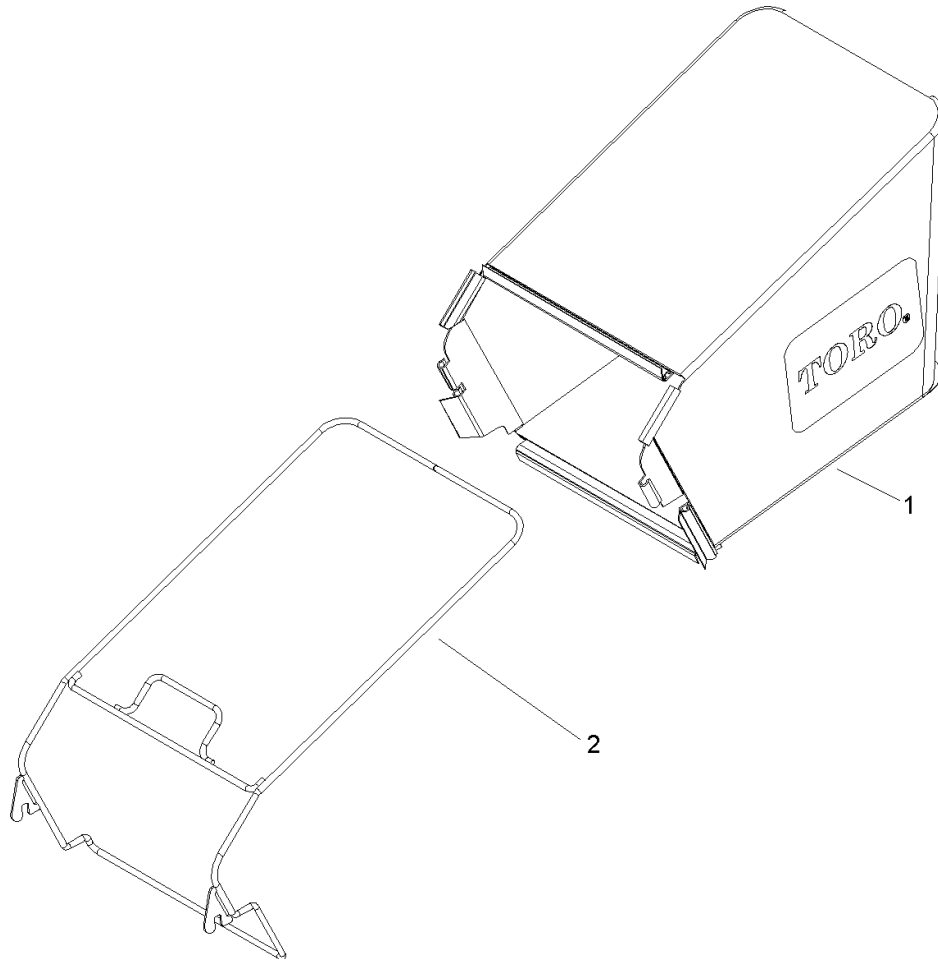
Engine and Blade Assembly

| Ref | Part No. | Qty. | Description | | | | |
|------|-------------|------|-----------------------------------|--|--|--|--|
| 1 | 105-8579 | 1 | Bolt-Blade | | | | |
| 3 | 108-3766-03 | 1 | Support-Blade [black] | | | | |
| 4 | 104-8697-03 | 1 | Blade-22 Inch | | | | |
| 5 | 106-3987 | 1 | Blade Driver ASM | | | | |
| 6 | 106-3999 | 1 | Spacer-Driver | | | | |
| 7 | 95-1726 | 3 | Screw-Taptite | | | | |
| 8 | 32144-85 | 1 | Screw-HWH | | | | |
| 9 | 105-3031-03 | 1 | Guide-Belt | | | | |
| 10 | | 1 | Engine-Tecumseh, Lev195ea-362003b | | | | |
| 10:3 | 108-4825 | 1 | Decal-Tec Shroud | | | | |
| 11 | 92-1701 | 1 | Stop-Rope | | | | |
| 14 | 106-8346-03 | 1 | Guard-Muffler | | | | |



HP-2 Bail Handle Assembly

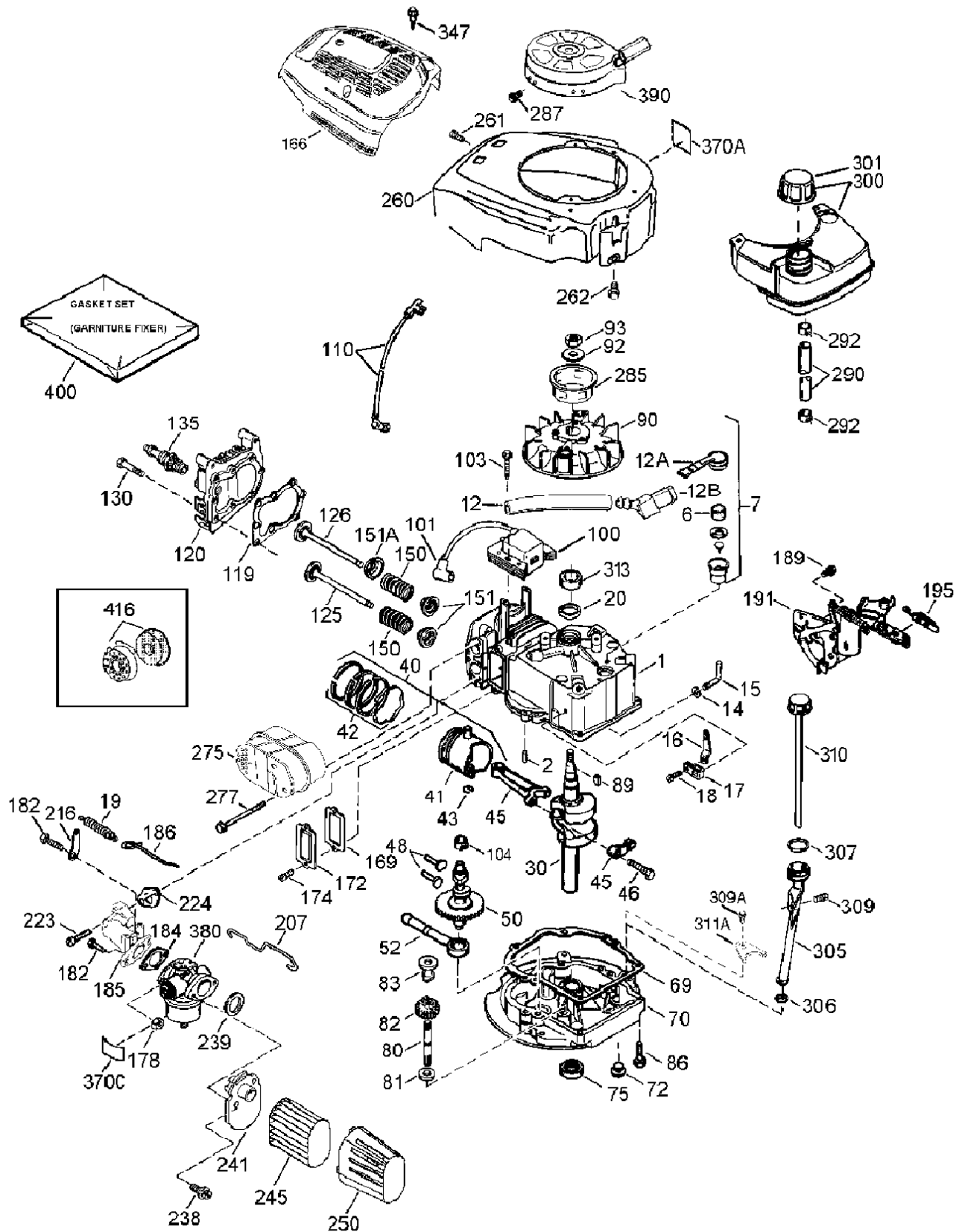
| Ref | Part No. | Qty. | Description |
|-----|-------------|------|---------------------|
| 1 | 104-8677 | 1 | Cable-Brake |
| 2 | 106-4161 | 2 | Knob-Handle |
| 3 | 104-8680-05 | 1 | Handle-Upper |
| 4 | 106-8330 | 1 | Guide-Rope |
| 5 | 3256-1 | 2 | Washer-Flat |
| 6 | 3296-73 | 2 | Nut-Lock, NI |
| 7 | 107-0757 | 1 | Stop-Pivot |
| 8 | 105-6800-03 | 1 | Bail-Brake |
| 9 | 105-1837-03 | 1 | Bail-Control |
| 10 | 104-8682 | 1 | Stop-Pivot |
| 11 | 95-4453 | 1 | Screw |
| 12 | 92-7729 | 1 | Anchor-Cable, Upper |
| 13 | 105-1845 | 1 | Cable-Traction |
| 14 | 92-2260 | 2 | Screw-Handle |
| 15 | 107-0784-05 | 1 | Handle-Lower |
| 16 | 106-6805 | 2 | Guide-Cable |
| 17 | 614249 | 1 | Strap-Tie |



Rear Bag Assembly

| Ref | Part No. | Qty. | Description |
|-----|-------------|------|---------------------|
| 1 | 105-3011 | 1 | Grass Bag ASM |
| 2 | 105-6831-03 | 1 | Brace-Bag Frame ASM |

Engine Assembly Tecumseh Lv195ea-362003b



Engine Assembly

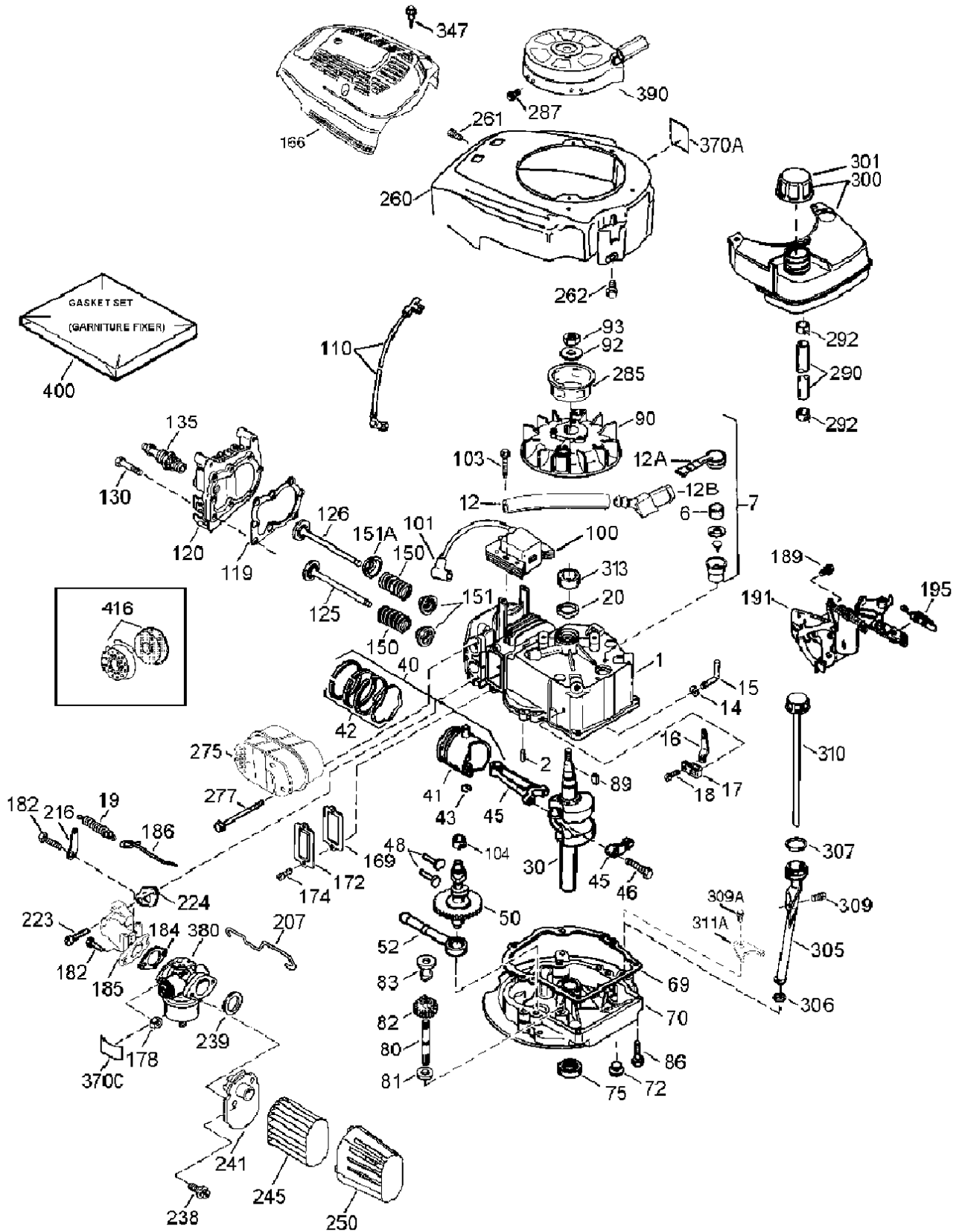
Tecumseh Lv195ea-362003b

| Ref | Part No. | Qty. | Description |
|-------|----------|------|---|
| ①1 | 37465 | 1 | Cylinder (Incl. Ref. #2, 20 And 150) |
| ①2 | 26727 | 2 | Pin-Dowel |
| ①6 | 33734 | 1 | Element-Breather |
| ①7 | 36557 | 1 | Breather ASM (Incl. Ref. #6 And 12a) |
| ①12 | 36775 | 1 | Tube-Breather |
| ①12A | 36558 | 1 | Breather Cover And Tube (Incl. Ref. #12b) |
| ①12B | 36694 | 1 | Elbow-Breather Tube |
| ①14 | 28277 | 1 | Washer |
| ①15 | 30589 | 1 | Governor Rod (Incl. Ref. #14) |
| ①16 | 34839A | 1 | Lever-Governor |
| ①17 | 31335 | 1 | Lever Clamp-Governor |
| ①18 | 651018 | 1 | Screw, T-15, 8-32 X 19/64in |
| ①19 | 36281 | 1 | Spring-Extension |
| ①20 | 32600 | 1 | Seal-Oil |
| ①30 | 37692 | 1 | Crankshaft |
| ①40 | 40027 | 1 | Piston, Pin And Ring ASM (Std.) |
| ①41 | 40042 | 1 | Piston And Pin ASM (Std.) (Incl. Ref. # 43) |
| ①42 | 40006 | 1 | Ring Set (Std.) |
| ①43 | 20381 | 2 | Ring-Piston Pin Retaining |
| ①45 | 36777 | 1 | Connecting Rod ASM (Incl. Ref. #46) |
| ①46 | 32610A | 2 | Bolt-Connecting Rod |
| ①48 | 27241 | 2 | Valve-Lifter |
| ①50 | 37460 | 1 | Camshaft (Exhaust Mcr) (Incl. Ref. #104) |
| ①52 | 29914 | 1 | Oil Pump ASM |
| ①*69 | 37609 | 1 | Gasket-Mounting Flange |
| ①70 | 37608 | 1 | Flange-Mounting (Incl. Ref. #72-83,306,309a & 311a) |
| ①72 | 37614 | 1 | Plug-Oil Drain |
| ①75 | 27897 | 1 | Seal-Oil |
| ①80 | 30574A | 1 | Shaft-Governor |
| ①81 | 30590A | 1 | Washer |
| ①82 | 30591 | 1 | Governor Gear ASM (Incl. Ref. #81) |
| ①83 | 30588A | 1 | Spool-Governor |
| ①86 | 650488 | 6 | Screw, 1/4-20 X 1-1/4in |
| ①89 | 611004 | 1 | Key-Flywheel |
| ①90 | 611112 | 1 | Flywheel |
| ①92 | 650815 | 1 | Washer-Belleville |
| ①93 | 650816 | 1 | Nut-Flywheel |
| ①100 | 34443C | 1 | Ignition-Solid State |
| ①101 | 610118 | 1 | Cover-Spark Plug |
| ①103 | 651007 | 2 | Screw, Torx T-15, 10-24 X 1in |
| ①104 | 37480 | 1 | Bushing-Cam |
| ①110 | 37047 | 1 | Wire-Ground |
| ①*119 | 36787 | 1 | Gasket-Cylinder Head |
| ①120 | 36825 | 1 | Head-Cylinder |
| ①125 | 36780 | 1 | Valve-Exhaust (1/32in Os) (Incl. 151) |

| Ref | Part No. | Qty. | Description |
|-------|----------|------|--|
| ①125 | 37288 | 1 | Valve-Exhaust (Std.) (Incl. Ref. #151) |
| ①126 | 37289 | 1 | Valve-Intake (Std.) (Incl. Ref. #151 And 151a) |
| ①130 | 6021A | 8 | Screw, 5/16-18 X 1-7/16in |
| ①135 | 35395 | 1 | Resistor Spark Plug (Rj19lm) |
| ①150 | 31672 | 2 | Spring-Valve |
| ①151 | 31673 | 2 | Cap-Valve Spring |
| ①151A | 40017 | 1 | Seal-Intake Valve |
| ①166 | 37694 | 1 | Shroud-Engine |
| ①*169 | 36783 | 1 | Gasket-Valve Cover |
| ①172 | 36784 | 1 | Cover-Valve |
| ①174 | 30200 | 2 | Screw, 10-24 X 9/16in |
| ①178 | 29752 | 2 | Nut And Lock Washer, 1/4-28 |
| ①182 | 6201 | 2 | Screw, 1/4-28 X 7/8in |
| ①*184 | 26756 | 1 | Carburetor To Intake Pipe Gasket |
| ①185 | 37466 | 1 | Pipe-Intake |
| ①186 | 32653 | 1 | Link-Governor |
| ①189 | 650839 | 2 | Screw, 1/4-20 X 3/8in |
| ①191 | 36559A | 1 | Bracket-S.e. Brake (Incl. Ref. #195) |
| ①195 | 610973 | 1 | Terminal |
| ①207 | 34336A | 1 | Link-Throttle |
| ①216 | 33086 | 1 | Lever-Rpm Adjusting |
| ①223 | 650451 | 2 | Screw, 1/4-20 X 1in |
| ①*224 | 36786 | 1 | Gasket-Intake Pipe |
| ①238 | 650932 | 2 | Screw, 10-32 X 49/64in |
| ①*239 | 34338 | 1 | Gasket-Air Cleaner |
| ①241 | 36919 | 1 | Collar-Air Cleaner |
| ①245 | 36905 | 1 | Filter-Air Cleaner |
| ①250 | 37122 | 1 | Cover-Air Cleaner |
| ①260 | 37696A | 1 | Housing-Blower |
| ①261 | 30200 | 2 | Screw, 10-24 X 9/16in |
| ①262 | 650831 | 2 | Screw, 1/4-20 X 1/2in |
| ①275 | 37498 | 1 | Muffler |
| ①277 | 650988 | 2 | Screw, 1/4-20 X 2-9/32in |
| ①285 | 35000A | 1 | Cup-Starter |
| ①287 | 650926 | 2 | Screw, 8-32 X 21/64in |
| ①290 | 29774 | 1 | Line-Fuel |
| ①292 | 26460 | 2 | Clamp-Fuel Line |
| ①300 | 35586A | 1 | Fuel Tank (Incl. Ref. #292 And 301) |
| ①301 | 36246 | 1 | Cap-Fuel |
| ①305 | 35647 | 1 | Tube-Oil Fill |
| ①*306 | 37610 | 1 | Inoin-Ring |
| ①307 | 35499 | 1 | O Ring |
| ①309 | 650562 | 1 | Screw, 10-32 X 1/2in |
| ①309A | 650783 | 1 | Screw, 10-24 X 3/4in |
| ①310 | 35648 | 1 | Dipstick |
| ①311A | 37611 | 1 | Bracket-Hold Down |
| ①313 | 34080 | 1 | Spacer |
| ①347 | 650898A | 1 | Screw, 10-32 X 27/32in |

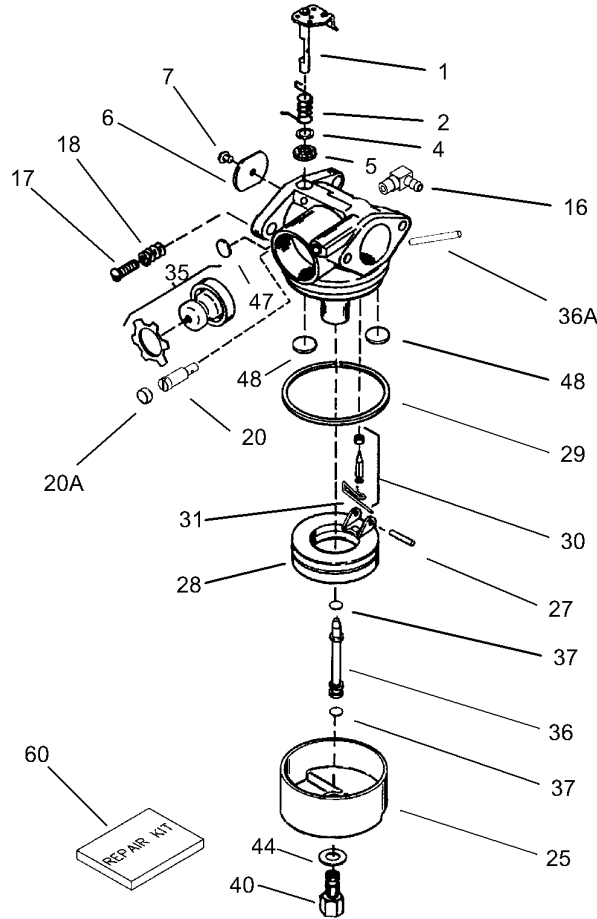
Engine Assembly

Tecumseh Lv195ea-362003b (continued)



Engine Assembly Tecumseh Lv195ea-362003b (continued)

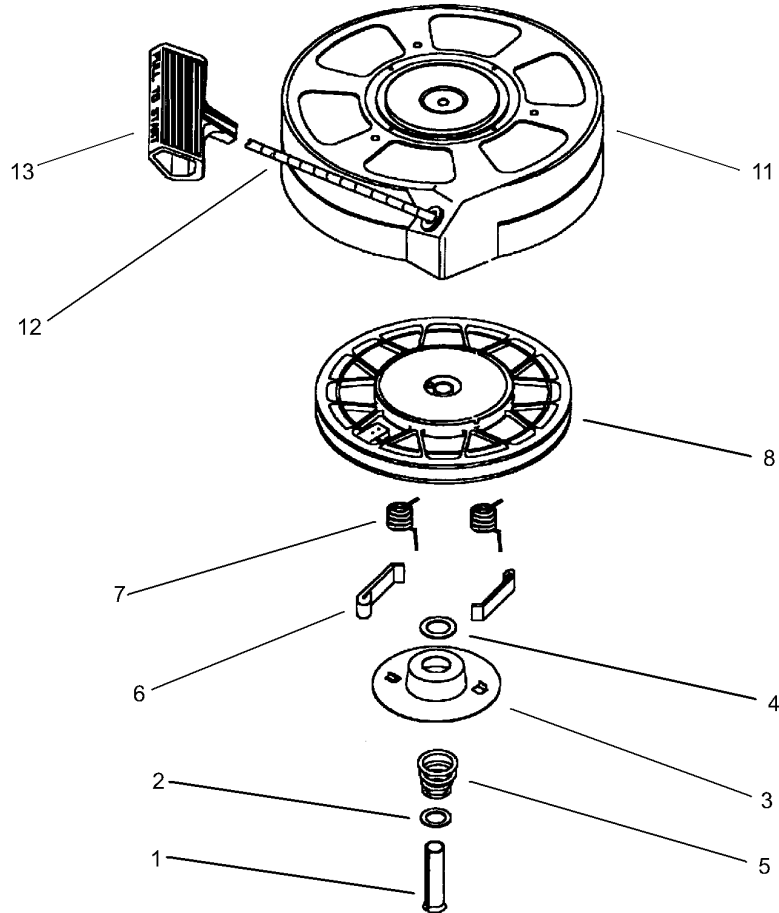
| Ref | Part No. | Qty. | Description | | | | |
|-------|----------|------|-------------------------------|--|--|--|--|
| ③370 | 35977 | 1 | Decal-Warning | | | | |
| ③370A | 36261 | 2 | Decal-Lubrication | | | | |
| ③370C | 37695 | 1 | Decal-Primer | | | | |
| ③380 | 640303 | 1 | Carburetor (Incl. Ref. #184) | | | | |
| ③390 | 590739 | 1 | Starter-Rewind | | | | |
| ③400 | 37613 | 1 | Gasket Set | | | | |
| ③416 | 37530 | 1 | Spark Arrestor Kit (Optional) | | | | |
| ③ | 750876 | 1 | Shortblock | | | | |



Carburetor Assembly No. 640303 Tecumseh Lv195ea-362003B

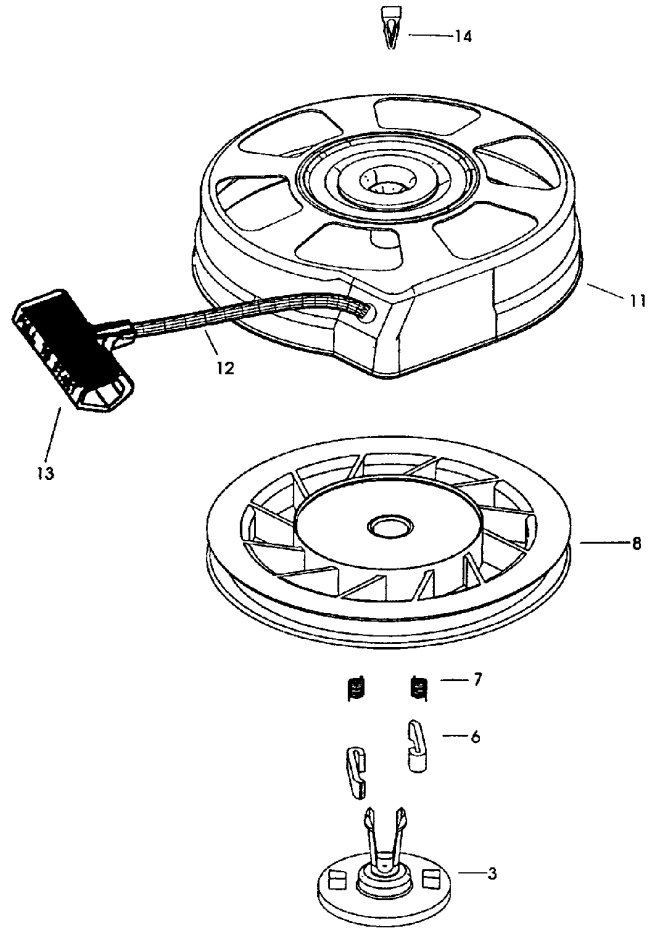
| Ref | Part No. | Qty. | Description |
|--------|----------|------|---|
| 0 | 640303 | 1 | Carburetor (Incl. Ref. #184 Of Engine Parts List) |
| 1 | 631615 | 1 | Throttle Shaft And Lever ASM |
| 2 | 631767 | 1 | Spring-Return, Throttle |
| 2 34 | 631184 | 1 | Washer-Dust Seal |
| 2 35 | 631183 | 1 | Seal-Dust |
| 36 | 640070 | 1 | Shutter-Throttle |
| 2 37 | 650506 | 1 | Screw-Shutter |
| 316 | 631807 | 1 | Fitting-Fuel |
| 317 | 651025 | 1 | Idle Speed Screw |
| 318 | 630766 | 1 | Spring-Tension |
| 320 | 640018 | 1 | Screw-Idle Restrictor |
| 2 320A | 640200 | 1 | Cap-Idle Restrictor Screw |
| 325 | 631867 | 1 | Bowl-Float |
| 2 327 | 631024 | 1 | Shaft-Float |
| 328 | 632802 | 1 | Float |
| 2 329 | 631028 | 1 | O-Ring-Float Bowl |
| 2 330 | 632807 | 1 | Inlet Needle, Seat, And Clip Asm(Incl. Ref. #31) |
| 2 331 | 631022 | 1 | Clip-Spring |
| 335 | 640259 | 1 | Primer Bulb/retainer Ring |
| 336 | 640019 | 1 | Tube-Main Nozzle |
| 336A | 632766 | 1 | Tube Extension-Bowl Vent |
| 2 337 | 632547 | 2 | O-Ring, Main Nozzle Tube |

| Ref | Part No. | Qty. | Description |
|-------|----------|------|-------------------------------|
| 340 | 640087 | 1 | Nut-High Speed Bowl |
| 2 344 | 27110A | 1 | Bowl Nut Washer |
| 2 347 | 630748 | 1 | Welch Plug, Idle Mixture Well |
| 2 348 | 631027 | 2 | Welch Plug, Vent |
| 360 | 632809 | 1 | Repair Kit |



Recoil Starter Assembly No. 590702 (Optional) Tecumseh Lv195ea-362003b

| Ref | Part No. | Qty. | Description | | | | |
|-----|----------|------|---|--|--|--|--|
| ⑩0 | 590702 | 1 | Starter-Recoil | | | | |
| ⑩1 | 590599A | 1 | Pin-Spring | | | | |
| ⑩2 | 590600 | 1 | Washer | | | | |
| ⑩3 | 590696 | 1 | Retainer | | | | |
| ⑩4 | 590601 | 1 | Washer | | | | |
| ⑩5 | 590697 | 1 | Spring-Brake | | | | |
| ⑩6 | 590698 | 2 | Dog-Starter | | | | |
| ⑩7 | 590699 | 2 | Spring-Dog | | | | |
| ⑩8 | 590700 | 1 | Pulley And Rewind Spring ASM | | | | |
| ⑩11 | 590703A | 1 | Starter Housing ASM (40 Degree Grommet) | | | | |
| ⑩12 | 590535 | 1 | Rope-Starter (Length 98in X 9/64in Dia) | | | | |
| ⑩13 | 590701 | 1 | Handle-Starter | | | | |



Recoil Starter Assembly No. 590739 Tecumseh No. Lv195ea-362003b

| Ref | Part No. | Qty. | Description | | | | |
|-----|----------|------|---|--|--|--|--|
| 0 | 590739 | 1 | Starter-Rewind | | | | |
| 3 | 590740 | 1 | Retainer | | | | |
| 6 | 590616 | 2 | Dog-Starter | | | | |
| 7 | 590617 | 2 | Spring-Dog | | | | |
| 8 | 590618A | 1 | Pulley And Rewind Spring ASM | | | | |
| 11 | 590638A | 1 | Starter Housing ASM (40 Degree Grommet) | | | | |
| 12 | 590535 | 1 | Rope-Starter (Length 98in X 9/64in Dia) | | | | |
| 13 | 590701 | 1 | Handle-Starter | | | | |
| 14 | 590760 | 1 | Clip-Spring | | | | |

NOTES

NOTES

NOTES

