



206cc OHV Vacuum Blower

Model No. 62925 - 250000001 and up.

Parts Catalog

Ordering Replacement Parts

To order replacement parts, please supply the part number, the quantity, and the description of each part desired.

Understanding Reference Numbers

Each identified part in an illustration has a reference number. The reference number for a part also appears in the parts list, along with other information about the part.

This catalog uses two special reference number formats, one to indicate parts in a service assembly and another to indicate the quantity of a given part in an illustration.

Service Assembly Reference Numbers

Parts in service assemblies have reference numbers in the form a:b. The a represents the reference number of the entire service assembly and the b represents a sequential number unique to each part within the service assembly.

For example, a wheel assembly might be identified by reference number 6, the tire by 6:1, the valve by 6:2, and the wheel by 6:3. When you order the assembly identified by reference number 6, you receive all parts identified by reference numbers 6:1, 6:2, and 6:3. However, you may also order any part individually. Reference numbers of this type appear in illustrations and in part lists.

Reference Numbers Indicating Quantity

In an illustration, if a reference number indicates more than one part, the reference number has the form nX y. The n represents the quantity of the part, the X is the multiplication symbol, and the y represents the reference number.

For example, in an illustration, the reference number 2X 37 means that two of the parts identified by reference number 37 are indicated.

Contents

Description	Page	Description	Page
Blower and Snout Assembly 3	Air Cleaner Assembly Briggs and Stratton	
Blower Assembly 4	126302-0245-E1 14
Engine and Front Wheel Assembly 5	Muffler and Fuel Tank Assembly Briggs and	
Traction and Wheel Assembly 6	Stratton 126302-0245-E1 15
Traction Assembly 7	Governor Assembly Briggs and Stratton	
Handle and Vacuum Bag Assembly 8	126302-0245-E1 16
Cylinder Assembly Briggs and Stratton		Blower Housing Assembly Briggs and Stratton	
126302-0245-E1 9	126302-0245-E1 17
Crankshaft Assembly Briggs and Stratton		Starter Assembly Briggs and Stratton 126302-	
126302-0245-E1 10	0245-E1 18
Cylinder Head Assembly Briggs and Stratton		Oil Tube and Dipstick Assembly Briggs and	
126302-0245-E1 11	Stratton 126302-0245-E1 19
Crankcase Assembly Briggs and Stratton		358 Engine Gasket Set and 1095 Valve	
126302-0245-E1 12	Gasket Set Assemblies Briggs and Stratton	
Carburetor Assembly Briggs and Stratton		126302-0245-E1 20
126302-0245-E1 13	121 Carburetor Overhaul Kit and 977 Carburetor	
		Gasket Set Assemblies, Briggs and Stratton	
		126302-0245-E1 21

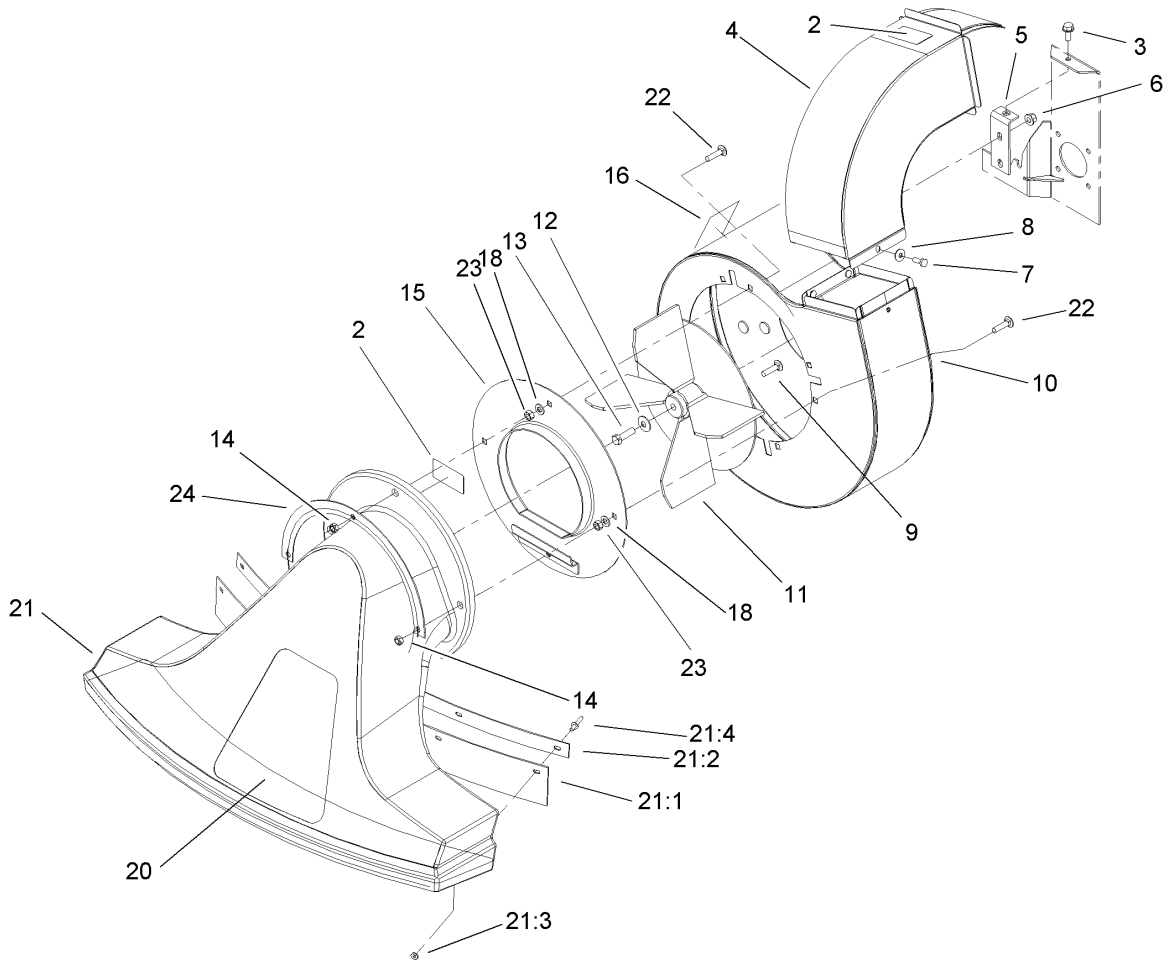
Part Description Abbreviations

Part descriptions in this catalog may include the following abbreviations.

AR. as required	HWHTF. hex washer head thread forming
ASM. assembly	HYD. hydraulic
BBC. blade brake clutch	INC. incorporated
CARR. carriage	LH. left hand
DEG. degrees	NI. nylon insert
EXT. external	NPTF. national pipe thread fine
FH. flat head	PPH. phillips pan head
GA. gauge	PPHTF. phillips pan head thread forming
HF. hex flange	PRH. phillips round head
HH. hex head	PTH. phillips truss head
HHF. hex head flange	PTO. power take off
HHFTF. hex head flange thread forming	RH. right hand
HJ. hex jam	ROPS. roll over protection system
HLH. hex lag head	SFH. slotted fillister head
HOC. height-of-cut	SHH. slotted hex head
HSBH. hex socket button head	SHWH. slotted hex washer head
HSFH. hex socket flat head	SPH. slotted pan head
HSH. hex socket head	SQH. square head
HWH. hex washer head	

Footnotes

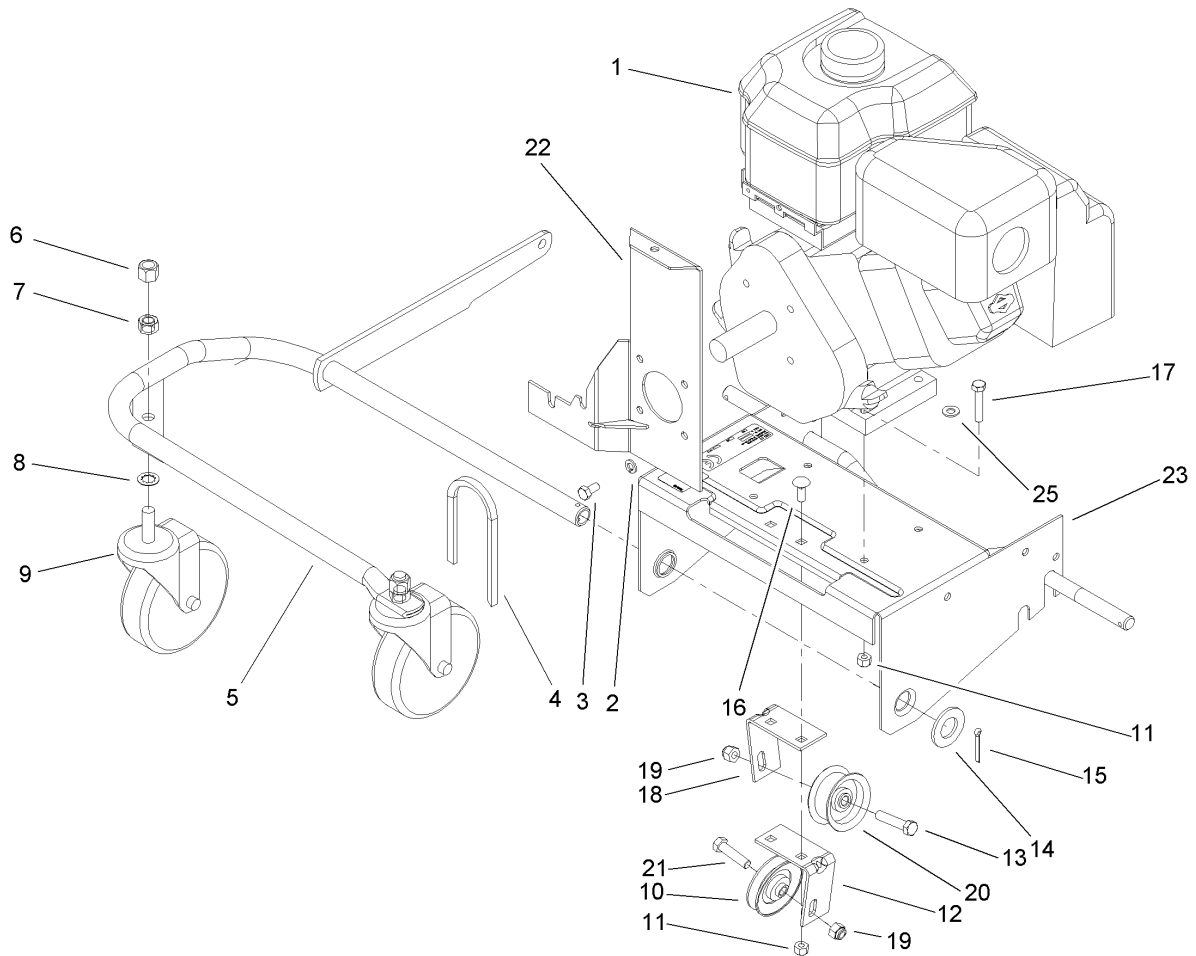
- | | |
|--|---|
| ❶ Not serviced separately | ❷ Obtain from your local Briggs & Stratton dealer |
| ❸ Included in Carburetor Overhaul Kit (Ref. No. 121) | ❹ Included in Engine Gasket Set (Ref. No. 358) |
| ❺ Included in Carburetor Gasket Set (Ref. No. 977) | ❻ Included in Valve Gasket Set (Ref. No. 1095) |



Blower and Snout Assembly

Ref	Part No.	Qty.	Description
2	93-4139	2	Decal-Caution, Bag
3	32144-70	1	Screw-HH
4	20-6130-01	1	Vacuum Chute ASM
5	105-1233-03	1	Bracket-Mounting, Housing
6	3296-58	4	Nut-Lock, NI
7	321-2	1	Screw-HH
8	3290-436	1	Washer-Belleville
9	3230-19	1	Screw-CARR
10	20-5890-01	1	Housing-Blower
11	93-3677-03	1	Fan ASM
12	3290-340	1	Washer-Belleville
13	3211-5	1	Screw-HH
14	3296-47	4	Nut-Lock, NI
15	20-5450-01	1	Cover-Blower
16	105-4062	1	Decal-Warning, Rotate
18	3256-23	3	Washer-Flat
20	107-8919	1	Decal
21	40-7000	1	Snout ASM
21:1	20-6830	1	Flap-Rubber
21:2	20-6840-03	1	Clamp-Flap
21:3	3256-51	5	Washer-Flat
21:4	3269-22	5	Rivet-Pop
22	3230-3	3	Screw-CARR
23	3217-6	3	Nut-Hex

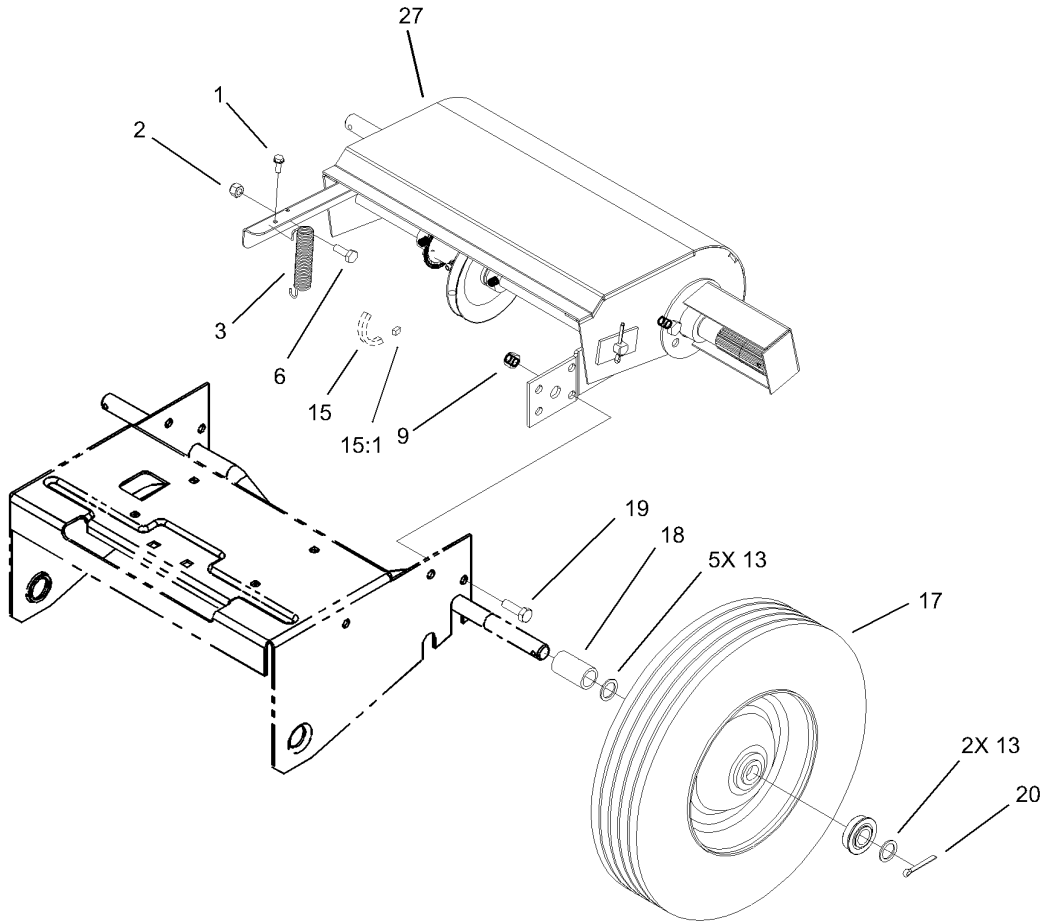
Ref	Part No.	Qty.	Description
24	105-8543-03	1	Flange-Retainer



Engine and Front Wheel Assembly

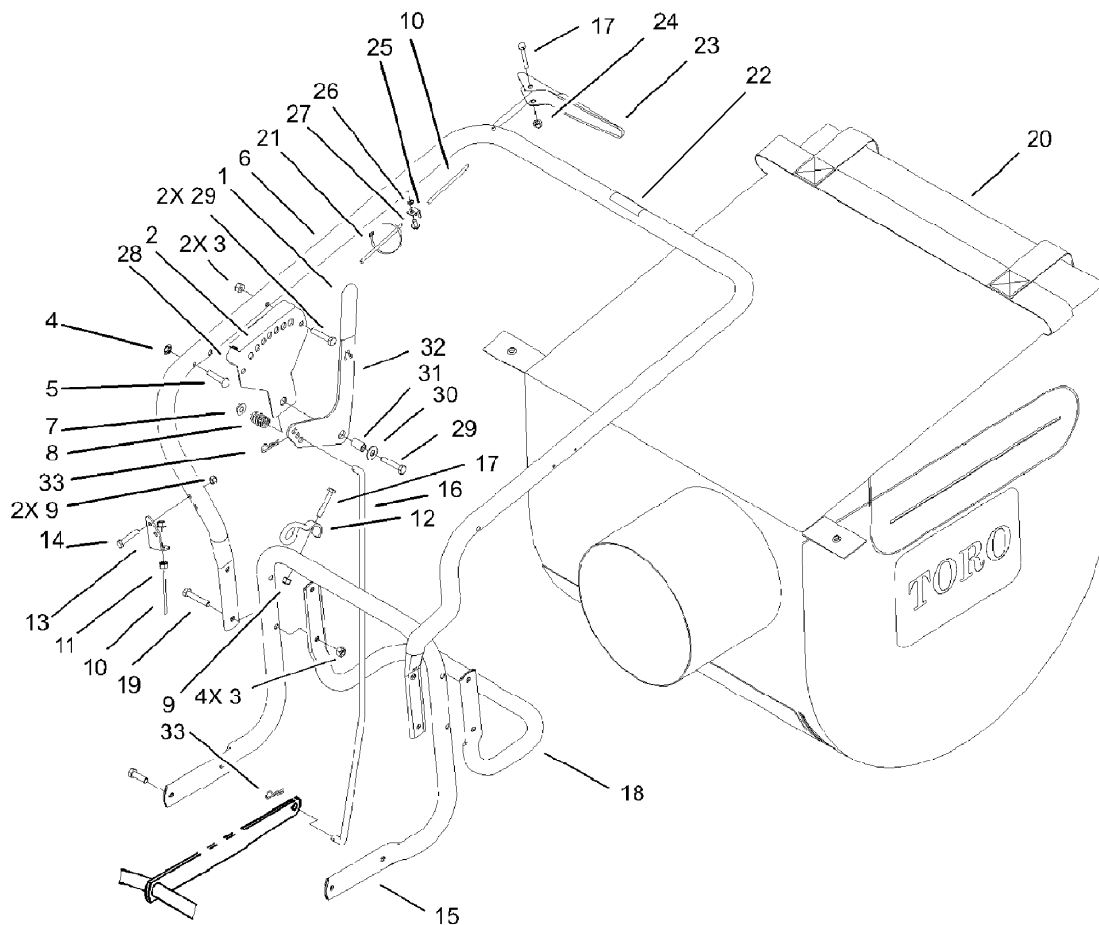
Ref	Part No.	Qty.	Description
1		1	Engine-Briggs And Stratton, 126302-0245-E1
2	3253-4	4	Washer-Lock
3	3210-2	4	Screw-HH
4	20-5990	1	Belt-V
5	93-4146-03	1	Front Wheel Support ASM
6	3296-23	2	Nut-Lock, NI
7	3217-9	2	Nut-Hex
8	3254-4	2	Washer-Lock/Int
9	23-3320	2	Caster
10	12-5820	1	Pulley-Idler
11	3296-29	6	Nut-Lock, NI
12	20-8690-03	1	Bracket-Idler Mount, LH
13	323-9	1	Screw-HH
14	3256-29	1	Washer-Flat
15	3272-17	1	Pin-Cotter
16	3230-1	2	Bolt-CARR
17	322-8	4	Screw-HH
18	20-8680-03	1	Bracket-Idler Mount, RH
19	3296-39	2	Nut-Lock, NI
20	12-6700	1	Pulley-Idler
21	323-8	1	Screw-HH
22	105-1232-03	1	Stabalizer Bracket ASM
23	20-5560-03	1	Plate-Engine

Ref	Part No.	Qty.	Description
25	3256-23	1	Washer-Flat



Traction and Wheel Assembly

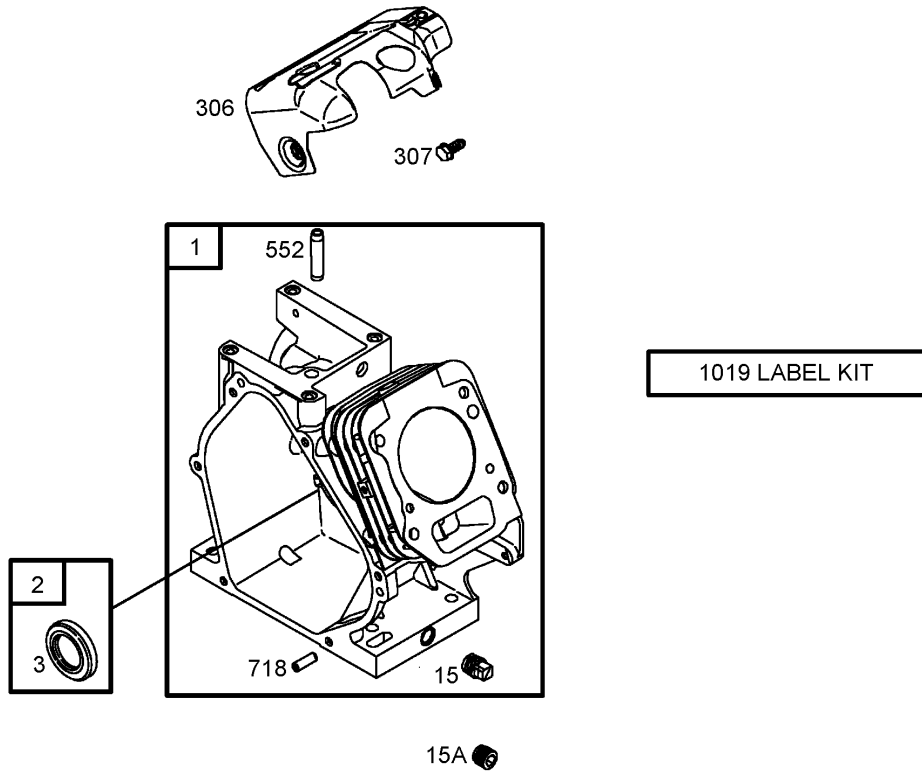
Ref	Part No.	Qty.	Description	
1	32140-32	1	Screw-HH	
2	3296-27	1	Nut-Lock NI	
3	23-3520	1	Spring-Traction	
6	25-8640	1	Screw-HH	
9	3296-29	6	Nut-Lock, NI	
13	7-3590	7	Washer	
15	3-3434	1	Chain-Roller, Reel Drive	
15:1	2710-31	1	Link-Connecting #35	
17	20-6100	2	Wheel	
18	20-5410	2	Spacer-Axle	
19	322-5	6	Screw-HH	
20	3272-17	2	Pin-Cotter	
● 27		1	Traction ASM	



Handle and Vacuum Bag Assembly

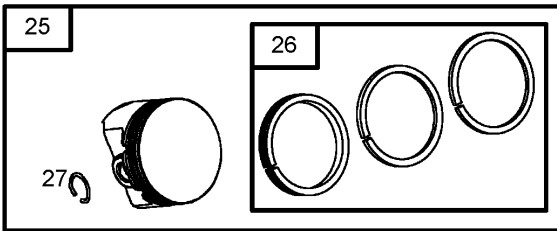
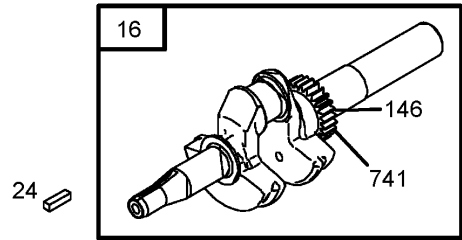
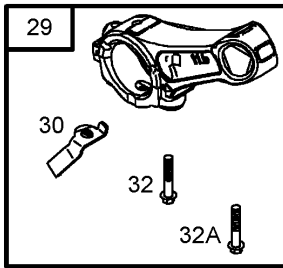
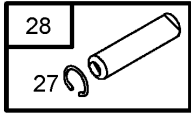
Ref	Part No.	Qty.	Description
1	3-7877	1	Grip-Handle
2	93-4137	1	Decal-Adjustment, Height
3	3296-29	6	Nut-Lock, NI
4	3290-418	2	Nut-Push In
5	3263-9	2	Rivet
6	23-3570	1	Handle-Upper, Vacuum
7	32128-13	1	Nut-HF
8	20-6110	1	Spring-Compression
9	3296-42	3	Nut-Lock, NI
10	105-1234	1	Cable-Traction
11	32149-5	2	Nut-Keps
12	46-8082	1	Guide-Rope
13	33-2830	1	Mount-Bowden, Lower
14	321-9	2	Screw-HH
15	105-1236	1	Handle-Lower
16	105-1235	1	Rod-Adjust, Height
17	321-10	2	Screw-HH
18	66-1640-03	1	Support-Bag
19	322-9	4	Screw-HH
20	105-1245	1	Bag-Vacuum
21	3290-378	1	Tie-Cable
22	93-4141	1	Decal-Control, Traction
23	93-8464	1	Lever
24	32111-7	1	Nut-Cap

Ref	Part No.	Qty.	Description
25	20-8780	1	Retaining-Clip
26	3255-17	1	Washer-Lock / EXT
27	32144-112	1	Screw-HWH
28	20-5820-03	1	Bracket-Adjustment
29	322-8	3	Screw-HH
30	3256-3	1	Washer-Flat
31	20-5650	1	Spacer
32	23-3410-03	1	Handle-Adjust, Height
33	3290-250	2	Pin-Hair



Cylinder Assembly Briggs and Stratton 126302-0245-E1

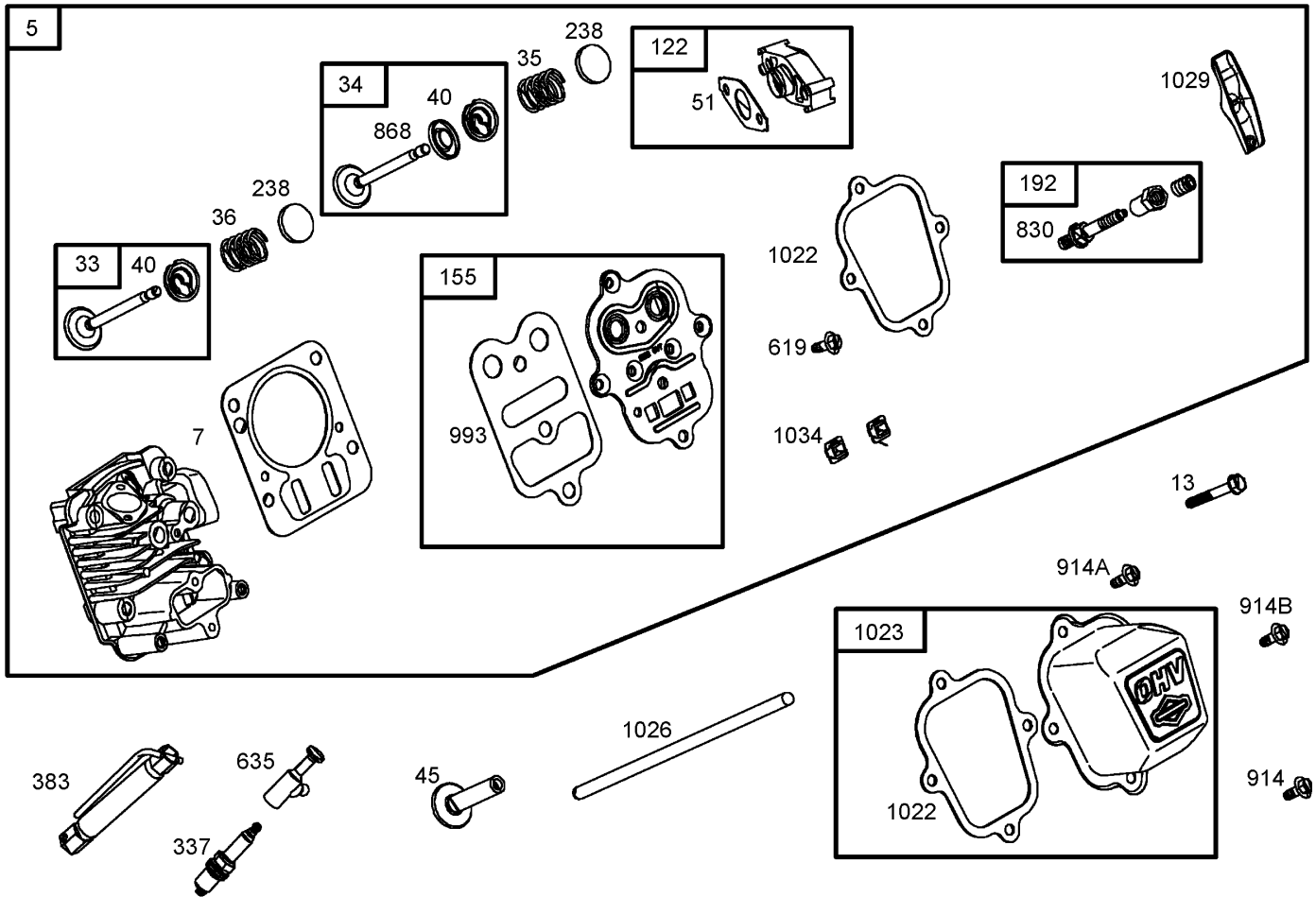
Ref	Part No.	Qty.	Description
①	699510	1	Cylinder ASM
②	399269	1	Bushing/Seal Kit
②③	299819	1	Seal-Oil
②15	691686	1	Plug-Drain, Oil (Square Head)
②15A	691682	1	Plug-Drain, Oil (Flush)
②306	693610	1	Shield-Cylinder
②307	699483	1	Screw (Cylinder Shield)
②552	692346	1	Busing-Crank, Governor
②718	690959	1	Pin-Locating
②1019	694852	1	Label Kit



Crankshaft Assembly Briggs and Stratton 126302-0245-E1

Ref	Part No.	Qty.	Description
● 16	699452	1	Crankshaft
● 24	222698	1	Key
● 25	790359	1	Piston ASM (Standard)
● 25	694168	1	Piston ASM (.020In Oversize)
● 26	499631	1	Ring Set (Standard)
● 26	692786	1	Ring Set (.020In Oversize)
● 27	691866	1	Lock-Pin, Piston
● 28	499423	1	Pin-Piston
● 29	690124	1	Rod-Connecting
● 30	692562	1	Dipper-Rod, Connecting
● 32	691664	1	Screw
● 32A	695759	1	Screw
● 146	690979	1	Key-Timing
● 741	695087	1	Gear-Timing

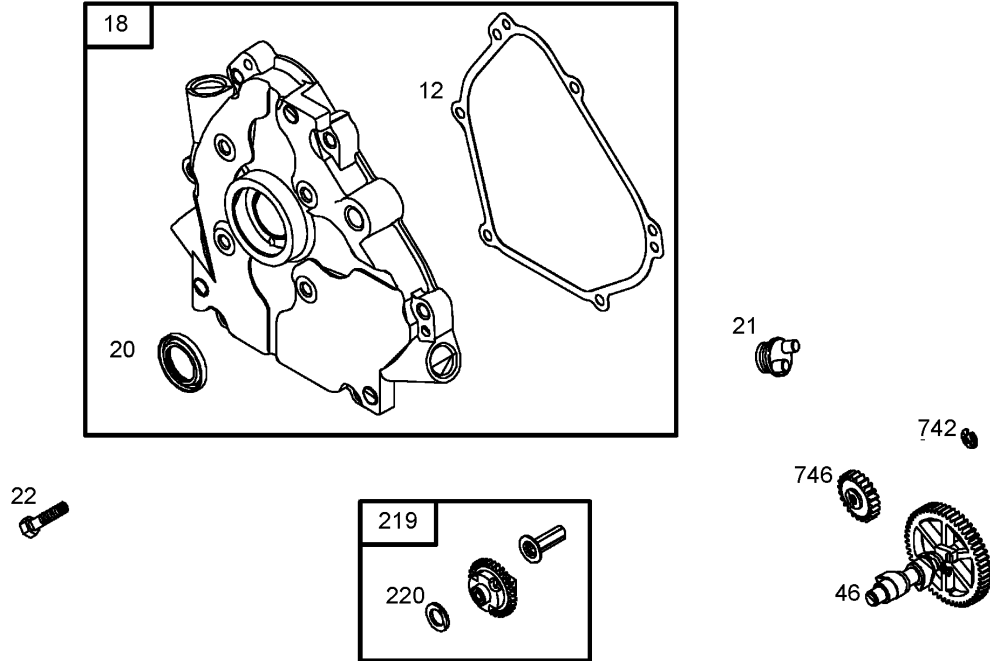
--	--	--	--



Cylinder Head Assembly Briggs and Stratton 126302-0245-E1

Ref	Part No.	Qty.	Description
25	699486	1	Head-Cylinder
247	698210	1	Gasket-Head, Cylinder
6			
213	699482	1	Screw (Cylinder Head)
233	499642	1	Valve-Exhaust
234	499641	1	Valve-Intake
235	691304	1	Spring-Valve
236	691304	1	Spring-Valve
240	692194	1	Retainer-Valve
245	690977	1	Valve-Tappet
3451	692555	1	Gasket-Intake
6			
23122	693749	1	Spacer-Carburetor
4			
2155	698214	1	Plate-Head, Cylinder
2192	694543	1	Adjuster-Arm, Rocker
2238	691300	1	Cap-Valve
2337	691043	1	Spark Plug
2383	19374	1	Wrench-Spark Plug
2619	699230	1	Screw (Cylinder Head Plate)
2635	692076	1	Boot-Spark Plug
2830	694544	1	Stud-Arm, Rocker
24868	692044	1	Seal-Valve
6			
2914	699481	1	Screw (Rocker Cover) (Bottom)

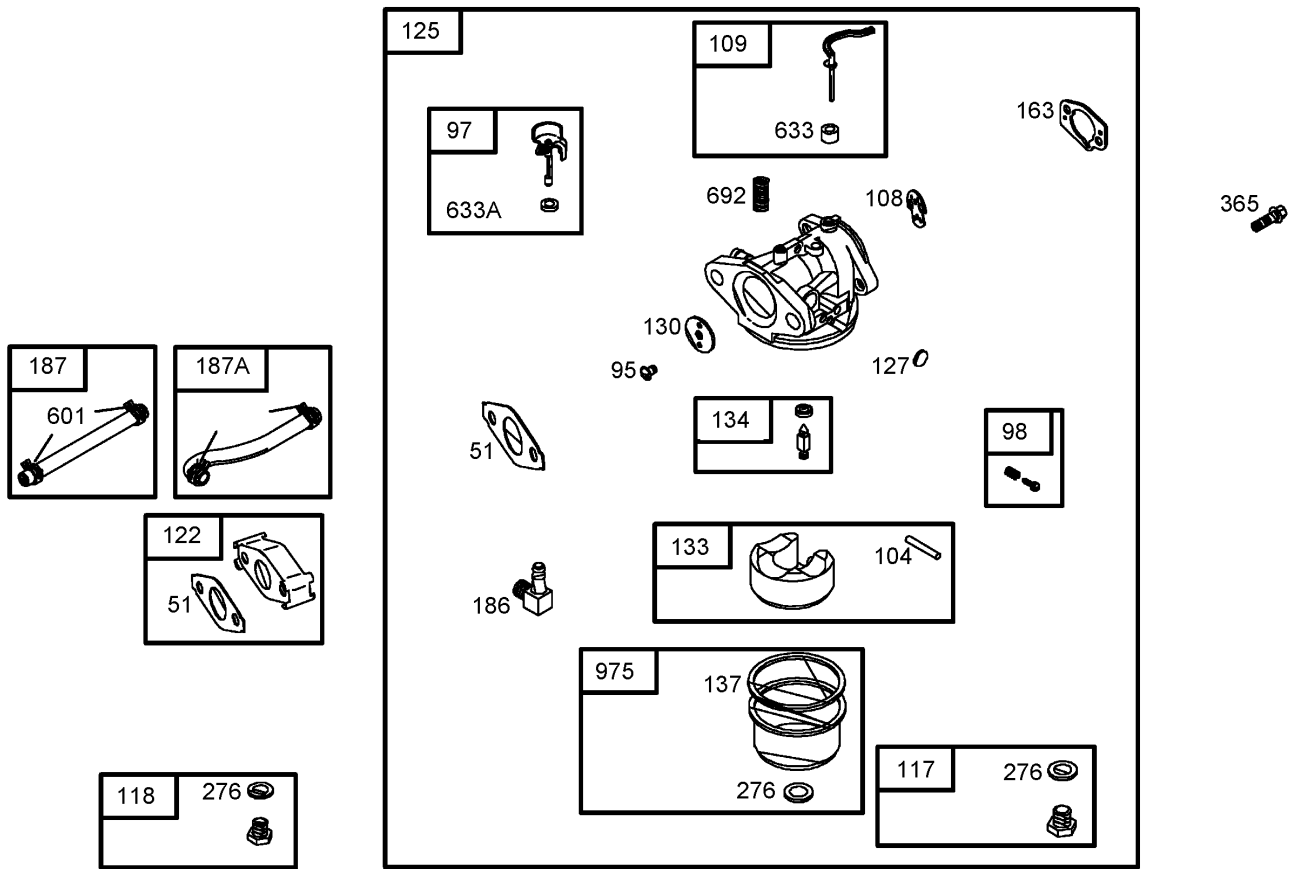
Ref	Part No.	Qty.	Description
2914A	692557	1	Screw (Rocker Cover) (Top)
2914B	697551	1	Screw
24993	694088	1	Gasket-Plate, Cylinder Head
6			
241022	691890	1	Gasket-Cover, Rocker
6			
21023	499924	1	Rocker Cover
21026	790287	1	Push Rod
21029	691230	1	Arm-Rocker
21034	691343	1	Guide-Rod, Push



Crankcase Assembly Briggs and Stratton 126302-0245-E1

Ref	Part No.	Qty.	Description
②④ 12	699485	1	Gasket-Cover, Crankcase
② 18	699696	1	Cover-Crankcase
②④ 20	692550	1	Oil Seal (PTO Side)
② 21	281658	1	Cap-Fill, Oil
② 22	699478	1	Screw (Crankcase Cover/Sump)
② 46	693404	1	Camshaft
② 219	693578	1	Gear-Governor
② 220	691724	1	Washer (Governor Gear)
② 742	692564	1	Retainer-E Ring
② 746	692566	1	Gear-Idler

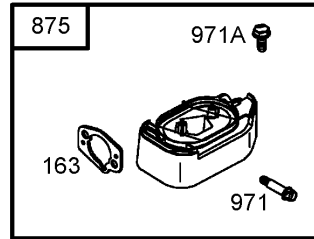
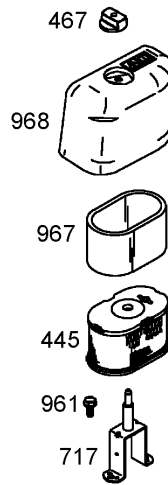
--	--	--	--



Carburetor Assembly Briggs and Stratton 126302-0245-E1

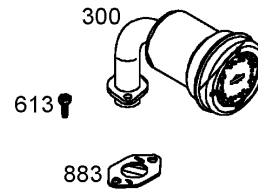
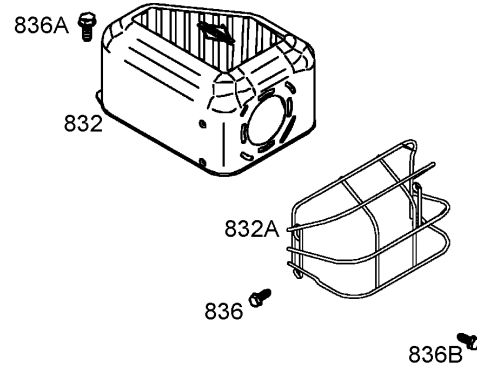
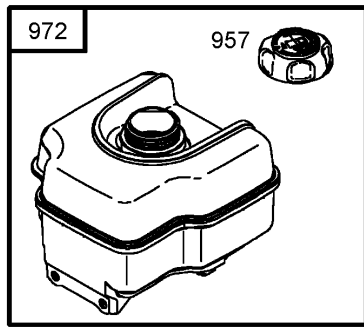
Ref	Part No.	Qty.	Description
③④ ⑤	692555	1	Gasket-Intake
②	691636	1	Screw (Throttle Valve)
②	690024	1	Shaft-Throttle
②	398185	1	Idle Speed Kit
②③	691242	1	Pin-Hinge, Float
②	692567	1	Valve-Choke
②	693628	1	Shaft-Choke
②	697355	1	Jet-Main (Standard)
②	494870	1	Jet-Main (High Altitude)
②③ ④	693749	1	Spacer-Carburetor
②	697028	1	Carburetor
②③	691739	1	Plug-Welch
②	691181	1	Valve-Throttle
②	398187	1	Float-Carburetor
②③	398188	1	Needle/Seat Kit
②③ ⑤	693981	1	Gasket-Bowl, Float
③④ ⑤	696979	1	Gasket-Cleaner, Air
②	692317	1	Connector-Hose
②	691050	1	Line-Fuel (Cut To Required Length)
②	692601	1	Line-Fuel (Molded)

Ref	Part No.	Qty.	Description
②③ ⑤	271716	1	Washer-Sealing
②	699484	1	Screw (Carburetor)
②	95162	1	Clamp-Hose
②③ ⑤	693867	1	Seal-Shaft, Choke/Throttle
②③ ⑤	691321	1	Seal-Shaft, Choke/Throttle
②	690572	1	Spring-Detent
②	493640	1	Bowl-Float



Air Cleaner Assembly Briggs and Stratton 126302-0245-E1

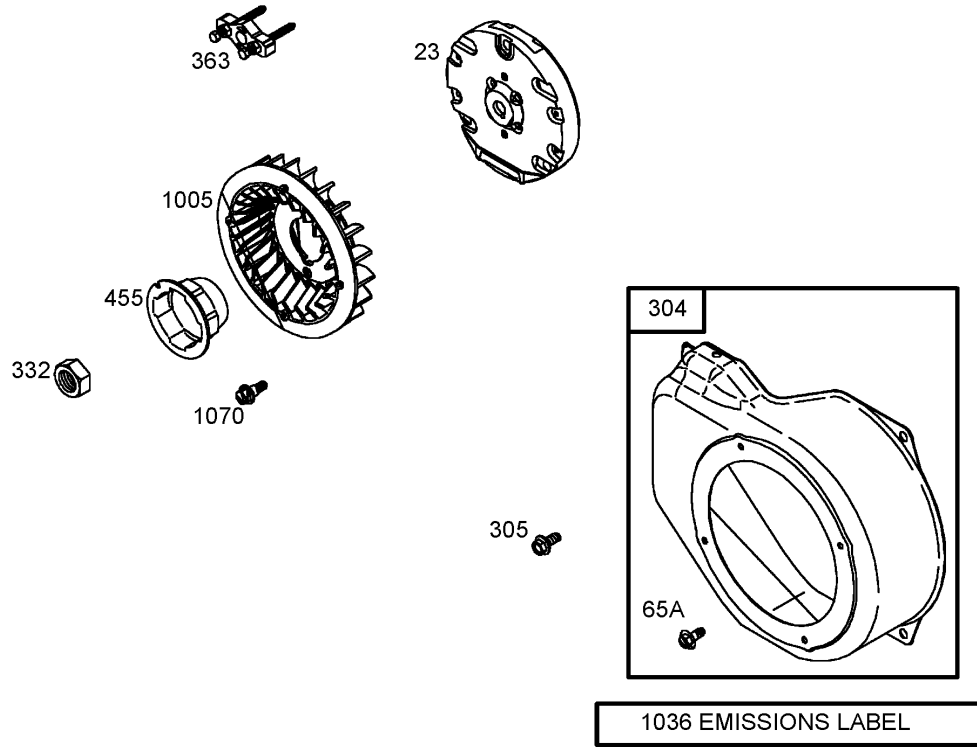
Ref	Part No.	Qty.	Description
2 11	693647	1	Tube-Breather
3 4 163	696979	1	Gasket-Cleaner, Air
5			
2 445	697029	1	Filter-Cartridge, Air Cleaner
2 467	691668	1	Knob-Cleaner, Air
2 717	693462	1	Bracket-Cleaner, Air
2 875	697030	1	Base-Cleaner, Air
2 961	698304	1	Screw (Air Cleaner Bracket)
2 967	273356	1	Filter-Pre Cleaner
2 968	693460	1	Cover-Cleaner, Air
2 971	690349	1	Screw (Air Cleaner Base)
2 971A	699629	1	Screw (Air Cleaner Base)



Muffler and Fuel Tank Assembly Briggs and Stratton 126302-0245-E1

Ref	Part No.	Qty.	Description
2 300	693593	1	Muffler
2 190	699220	1	Screw (Fuel Tank)
2 613	699209	1	Screw
2 832	693583	1	Guard-Muffler
2 832A	696516	1	Guard-Muffler
2 836	699204	1	Screw
2 836A	699632	1	Screw
2 836B	699203	1	Screw
2 883	691893	1	Gasket-Exhaust
2 957	694261	1	Cap-Tank, Fuel
2 958	698180	1	Valve-Shut Off, Fuel
2 972	694260	1	Tank-Fuel

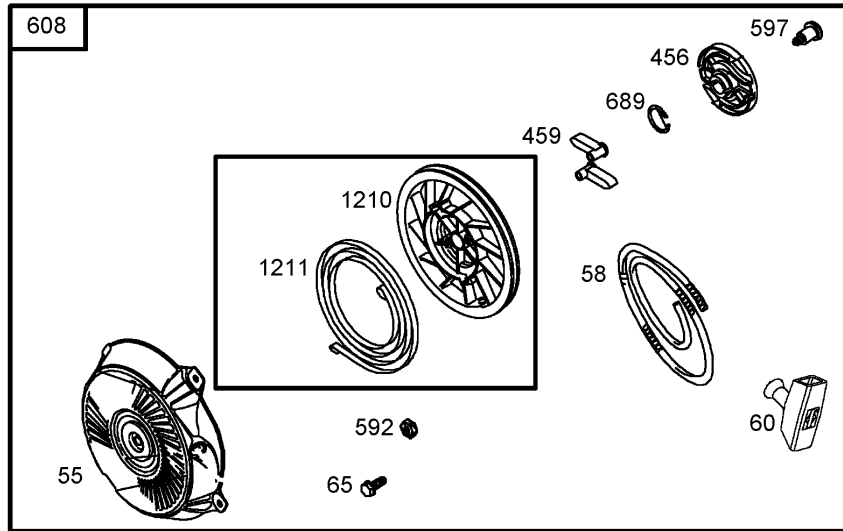
--	--	--	--



Blower Housing Assembly Briggs and Stratton 126302-0245-E1

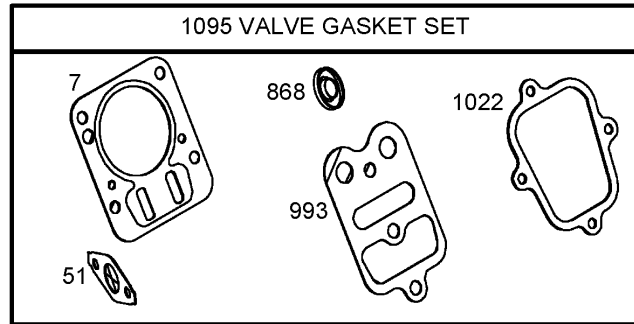
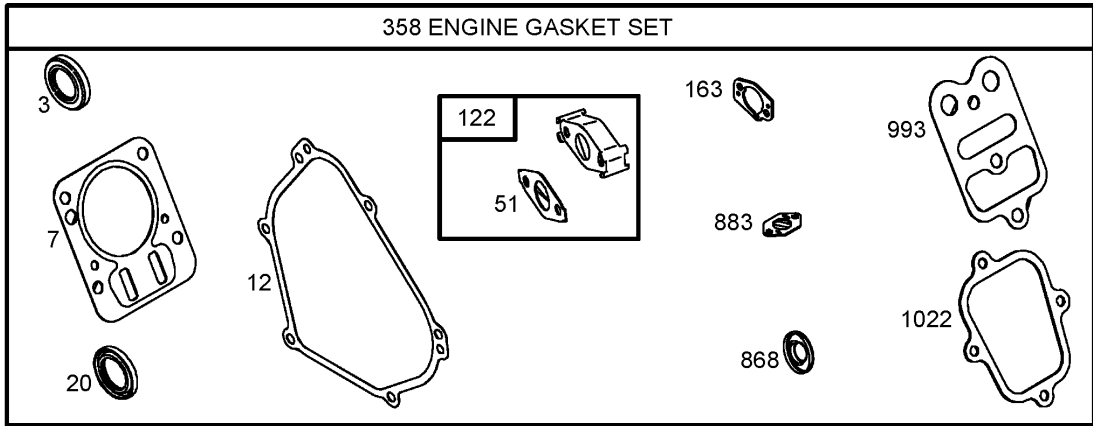
Ref	Part No.	Qty.	Description
23	699488	1	Flywheel
265A	699228	1	Screw
2304	699598	1	Blower Housing
2305	699480	1	Screw (Blower Housing)
2332	699359	1	Nut
2363	19069	1	Puller-Flywheel
2455	692591	1	Cup-Flywheel
21005	692592	1	Fan-Flywheel
21036	790634	1	Emissions Label (Used After Code Date 04063000)
21036	699946	1	Emissions Label(Used After Code Date 04070100)
21070	699201	1	Screw

--	--	--	--



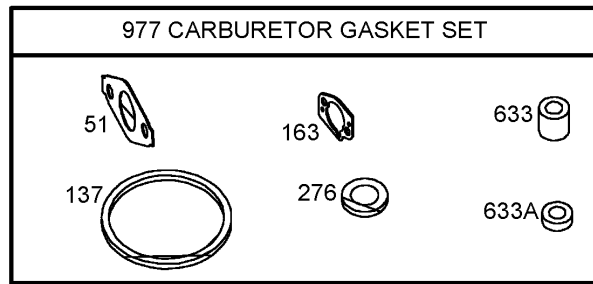
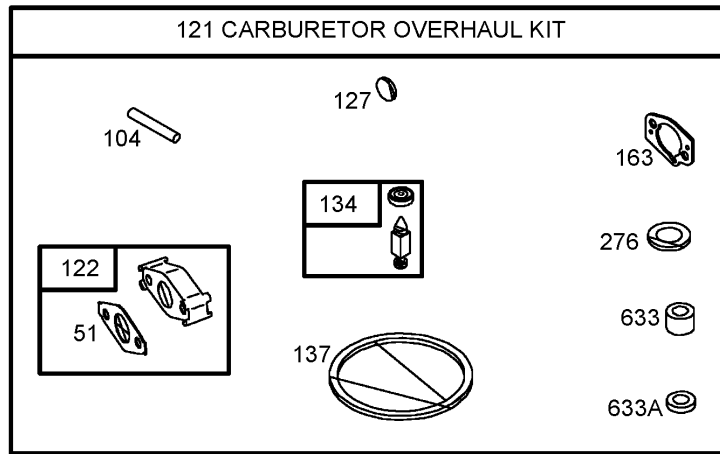
Starter Assembly Briggs and Stratton 126302-0245-E1

Ref	Part No.	Qty.	Description
②55	691422	1	Housing-Starter, Rewind
②58	693389	1	Rope-Starter (Cut To Required Length)
②60	691915	1	Grip-Rope, Starter
②65	690837	1	Screw
②456	692299	1	Plate-Friction, Pawl
②459	281505	1	Ratchet-Pawl
②592	690800	1	Nut
②597	691696	1	Screw
②608	693394	1	Starter-Rewind
②689	691855	1	Spring-Friction
②1210	498144	1	Pulley/Spring ASM (Pulley)
②1211	498144	1	Pulley/Spring ASM (Spring)



358 Engine Gasket Set and 1095 Valve Gasket Set Assemblies Briggs and Stratton 126302-0245-E1

Ref	Part No.	Qty.	Description
② 3	299819	1	Seal-Oil
② 7	698210	1	Gasket-Head, Cylinder
② 12	699485	1	Gasket-Cover, Crankcase
② 20	692550	1	Oil Seal
② ⑤ 51	692555	1	Gasket-Intake
② 122	693749	1	Spacer-Carburetor
② ⑤ 163	696979	1	Gasket-Cleaner, Air
② 358	699638	1	Engine Gasket Set
② 868	692044	1	Seal-Valve
② 883	691893	1	Gasket-Exhaust
② 993	694088	1	Gasket-Plate, Cylinder Head
② 1022	691890	1	Gasket-Cover, Rocker
② 1095	698215	1	Valve Gasket Set



121 Carburetor Overhaul Kit and 977 Carburetor Gasket Set Assemblies, Briggs and Stratton 126302-0245-E1

Ref	Part No.	Qty.	Description
②④51 ⑥	692555	1	Gasket-Intake
②104	691242	1	Pin-Hinge, Float
②121	696998	1	Carburetor Overhaul Kit
②④122	693749	1	Spacer-Carburetor
②127	691739	1	Plug-Welch
②134	398188	1	Needle/Seat Kit
②137	693981	1	Gasket-Bowl, Float
②④163	696979	1	Gasket-Cleaner, Air
②276	271716	1	Washer-Sealing
②633	693867	1	Seal-Shaft, Choke/Throttle
②633A	691321	1	Seal-Shaft, Choke/Throttle
②977	697001	1	Carburetor Gasket Set

NOTES

NOTES

