



# TimeCutter<sup>®</sup> Z Riding Mower

Form No. 3352-232

## Setup Instructions

Use these instructions and procedures below when setting up this mower.

**Important** Refer to the *Operator's Manual* for complete details on safety, operation, maintenance, and the warranty.

## Setup

- 1. Lift the seat and verify that the positive battery cable (red) is attached to the positive (+) battery terminal. This will require slightly lifting the red terminal boot on the battery end of the positive cable.
- 2. Attach the negative battery cable (black) to the negative (-) battery terminal with the bolt and wing nut supplied.

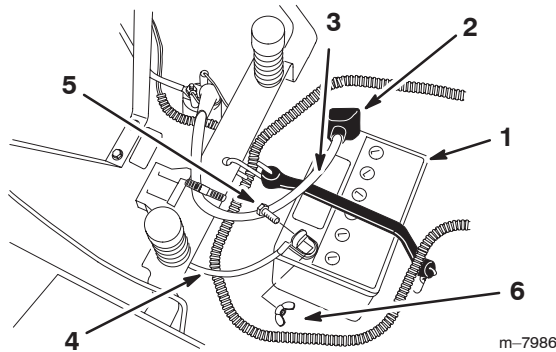


Figure 1

- |                           |                           |
|---------------------------|---------------------------|
| 1. Battery                | 4. Negative battery cable |
| 2. Red terminal boot      | 5. Bolt                   |
| 3. Positive battery cable | 6. Wing nut               |

- 3. Check engine oil level and verify that oil level is close to, but not over the full mark on the engine dipstick.

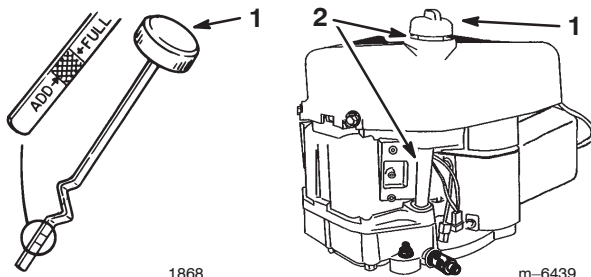
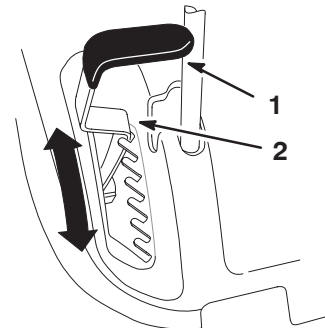


Figure 2

- |                        |                |
|------------------------|----------------|
| 1. Engine oil dipstick | 2. Filler tube |
|------------------------|----------------|

- 4. Raise the mower height-of-cut lever to the highest height-of-cut position for easier removal from wooden skid.

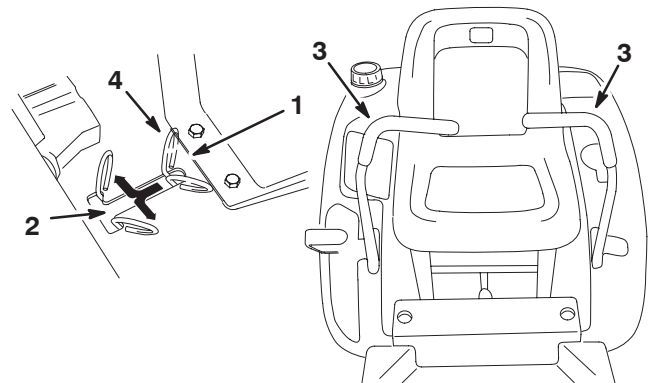


m-6421

Figure 3

- |                        |                     |
|------------------------|---------------------|
| 1. Height-of-cut lever | 2. Highest position |
|------------------------|---------------------|

- 5. Lift the seat and move the two bypass levers forward and then outward to lock them in place as shown in Figure 4. Place the motion control levers in the center, unlocked position. Manually push the unit to the desired location. Never tow the Toro TimeCutter Z.



m-7873

m-6561

Figure 4

- |                                       |  |
|---------------------------------------|--|
| 1. Position for operating the machine | 3. Control levers in the center, unlocked position |
| 2. Position for pushing the machine   | 4. Bypass levers                                   |

- 6. Lower the height-of-cut lever to the lowest position.