



22in Recycler[®] Lawnmower

Model No. 20016 - 240000001 and up.

Parts Catalog

Ordering Replacement Parts

To order replacement parts, please supply the part number, the quantity, and the description of each part desired.

Understanding Reference Numbers

Each Identified part in an illustration has a reference number. The reference number for a part also appears in the parts list, along with other information about the part.

This catalog uses two special reference number formats, one to indicate parts in a service assembly and another to indicate the quantity of a given part in an illustration.

Service Assembly Reference Numbers

Parts in service assemblies have reference numbers in the form a:b. The a represents the reference number of the entire service assembly and the b represents a sequential number unique to each part within the service assembly.

For example, a wheel assembly might be identified by reference number 6, the tire by 6:1, the valve by 6:2, and the wheel by 6:3. When you order the assembly identified by reference number 6, you receive all parts identified by reference numbers 6:1, 6:2, and 6:3. However, you may also order any part individually. Reference numbers of this type appear in illustrations and in part lists.

Reference Numbers Indicating Quantity

In an illustration, if a reference number indicates more than one part, the reference number has the form nX y. The n represents the quantity of the part, the X is the multiplication symbol, and the y represents the reference number.

For example, in an illustration, the reference number 2X 37 means that two of the parts identified by reference number 37 are indicated.

Contents

Description	Page	Description	Page
Deck, Side Chute, and Rear Door Assembly 3	Engine Assembly Tecumseh Lv195ea-362003b 12
Rear Axle and High Wheel Assembly 4	Engine Assembly Tecumseh Lv195ea-362003b (continued) 14
Front Axle and Transmission Assembly 5	Recoil Starter (Optional) No. 590702 Tecumseh Lv195ea-362003b 16
Transmission Assembly No. 106-3955 6	Recoil Starter Assembly No. 590739 Tecumseh No. Lv195ea-362003b 17
Engine and Blade Assembly 7		
2 Bail HP Handle Assembly 8		
Rear Bag Assembly 9		
Bumper Assembly Serial No. 240003073-240004191 10		
Carburetor Assembly No. 640303 Tecumseh Model No. Lv195ea-362003b 11		

Part Description Abbreviations

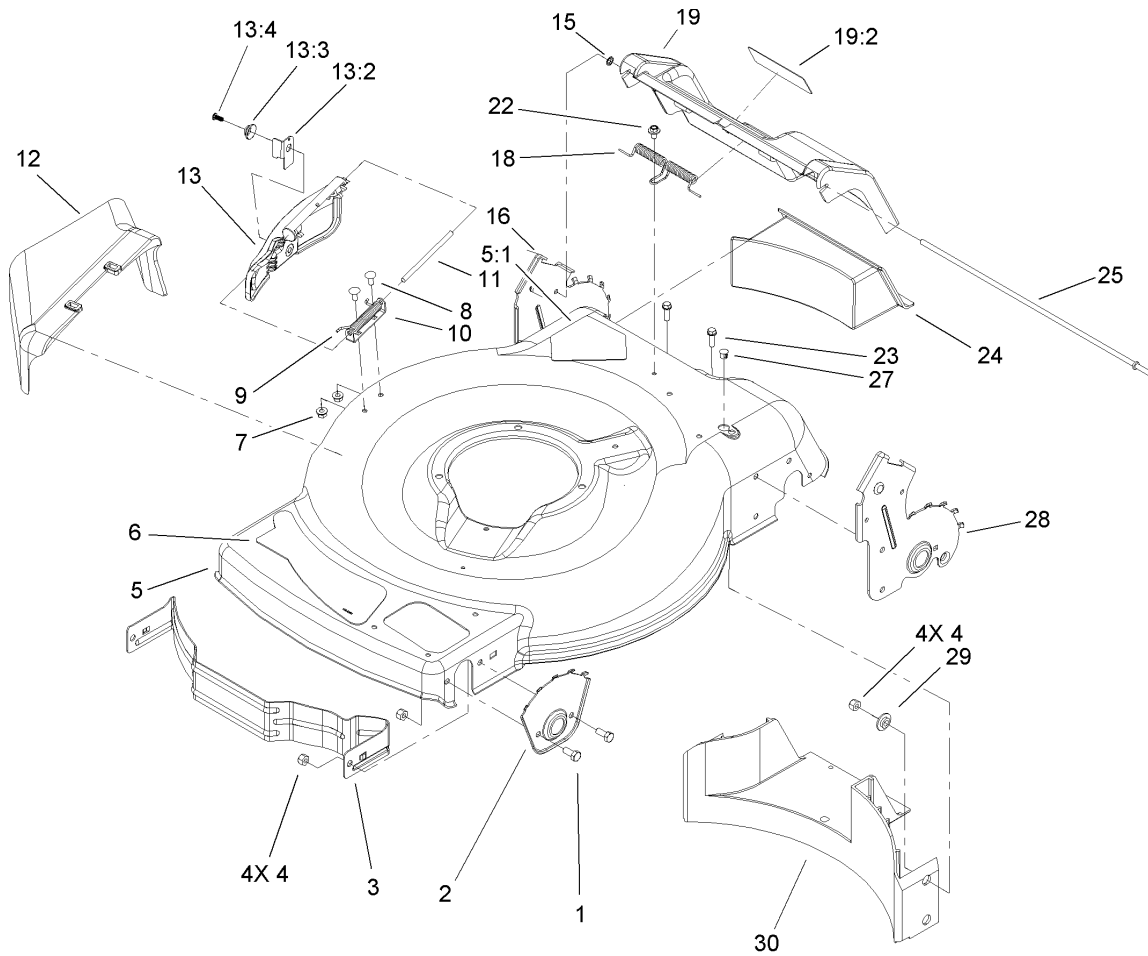
Part descriptions in this catalog may include the following abbreviations.

AR. as required	INC. incorporated
ASM. assembly	LH. left hand
CARR. carriage	NI. nylon insert
DEG. degrees	PPH. phillips pan head
FH. flat head	PTH. phillips truss head
GA. gauge	PTO. power take off
HF. hex flange	RH. right hand
HH. hex head	SFH. slotted fillister head
HHF. hex head flange	SHH. slotted hex head
HHFTF. hex head flange thread forming	SHWH. slotted hex washer head
HJ. hex jam	SPH. slotted pan head
HLH. hex lag head	SQH. square head
HOC. height-of-cut	SRH. slotted round head
HS. hex	STD. standard
HSBH. hex socket button head	TAP. self tapping
HSFH. hex socket flat head	TTH. torx truss head
HSH. hex socket head	WH. wing head
HWH. hex washer head	
HWHTF. hex washer head thread forming	
HYD. hydraulic	

Footnotes

❶ Not serviced separately

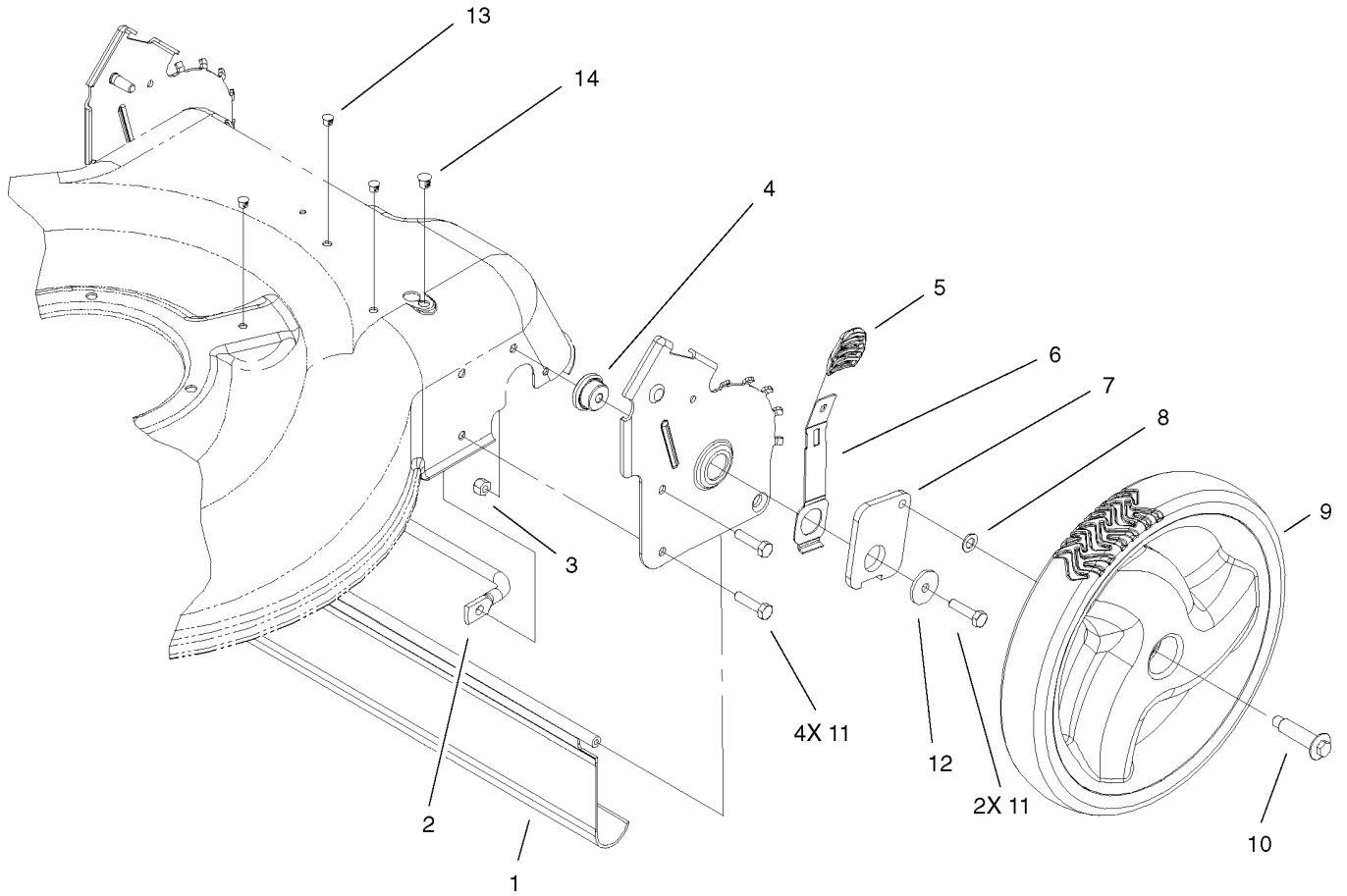
❷ Obtain parts from your local Tecumseh dealer



Deck, Side Chute, and Rear Door Assembly

Ref	Part No.	Qty.	Description
1	322-3	4	Screw-HH
2	105-1808-03	2	Plate-Hoc, Front
3	104-8694-03	1	Baffle-Front
4	3296-29	8	Nut-Lock, NI
5	104-7915	1	Housing
5:1	105-6838	1	Decal-Danger
6	105-1296	1	Decal-Deck
7	32128-32	2	Nut-HHF
8	3229-11	2	Screw-CARR
9	99-5293	1	Spring-Torsion
10	99-5292	1	Bracket-Cover
11	99-5291	1	Rod-Cover
12	105-3028	1	Chute-Side Discharge
13	106-8376	1	Discharge Door ASM
13:2	107-0795	1	Latch-Door
13:3	107-7456	1	Cap-Door
13:4	107-7461	1	Screw-Plastite
15	32112-6	1	Pushnut
16	107-0791	1	Plate-Hoc, RH
18	105-3032	1	Spring-Door, Rear
19	105-1323	1	Door
19:2	105-1295	1	Decal-Warning
22	46-6810	1	Screw And Washer ASM
23	46-8091	2	Screw-HWH

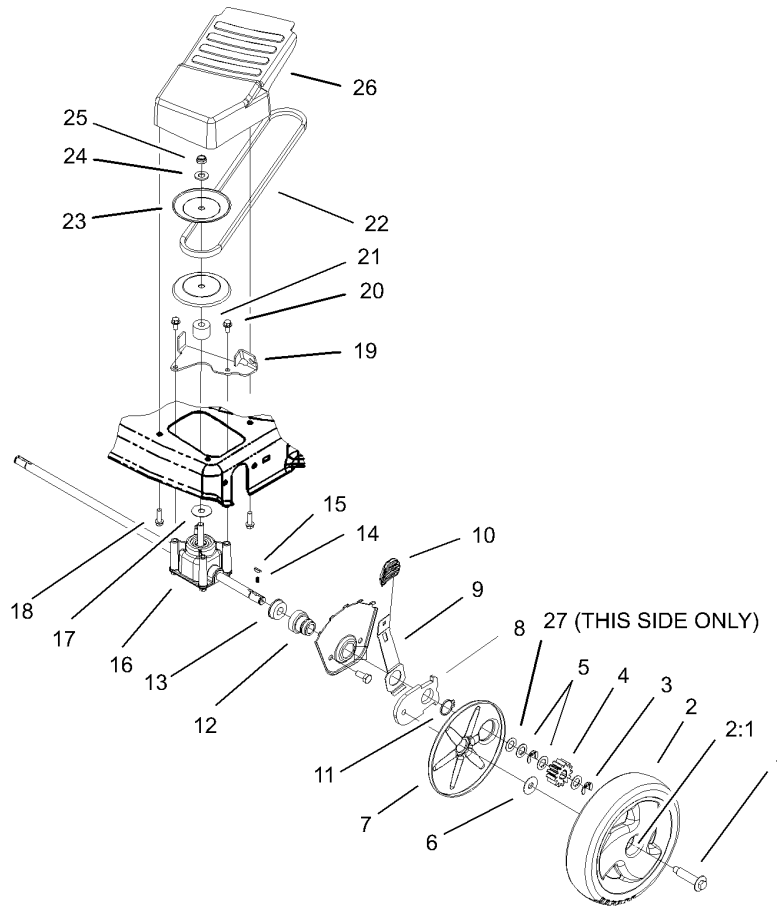
Ref	Part No.	Qty.	Description
24	105-1842	1	Plug-Discharge, Rear
25	105-1827	1	Rod-Pivot, Rear Door
27	104-9369	1	Plug-Dome
28	107-0782	1	Plate-Hoc, LH
29	105-3006	4	Washer-Stepped
30	105-3047	1	Baffle-Rear



Rear Axle and High Wheel Assembly

Ref	Part No.	Qty.	Description
1	105-1843	1	Shield-Trailing
2	105-1811	1	Brace-HOC Plate
3	3296-29	2	Nut-Lock, NI
4	105-1818	2	Bushing-Mount, HOC
5	105-3042	2	Knob-Lever, HOC
6	105-1809	2	Arm-Spring
7	105-1820	2	Arm-Pivot, Rear
8	40-1940	2	Washer
9	105-1816	2	Wheel ASM
10	614650	2	Bolt-Shoulder
11	322-6	6	Screw-HH
12	105-3048	2	Washer-Flat
13	104-9373	3	Plug-Dome
14	104-9368	1	Plug-Dome

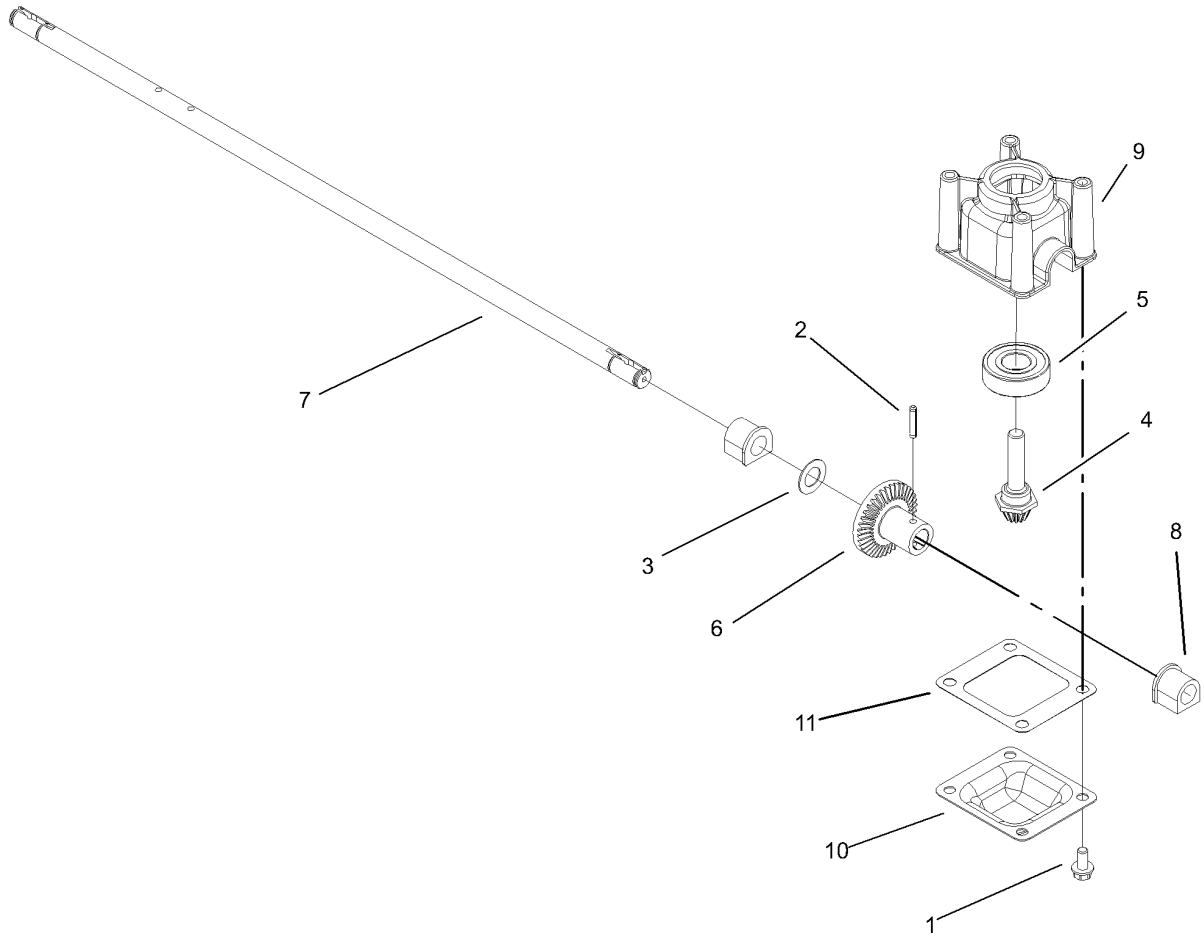
--	--	--	--



Front Axle and Transmission Assembly

Ref	Part No.	Qty.	Description
1	614650	2	Bolt-Shoulder
2	105-1815	2	Wheel Gear ASM
2:1	27-6250	2	Bushing
3	65-2720	4	Klipring-Locking
4	104-8670	2	Gear-Pinion, 13t
5	105-6840	6	Washer-Thrust
6	614426	2	Washer-Stepped
7	105-1838	2	Cover-Wheel
8	105-1807	2	Arm-Pivot, Front
9	105-1809	2	Arm-Spring
10	105-3042	2	Knob-Lever, HOC
11	32151-36	2	Ring-Retaining
12	104-8698	2	Retainer-Bearing, HOC
13	104-8699	2	Bearing-Ball
14	39-9650	2	Spring-Compression
15	612066	2	Key
16	106-3955	1	Transmission Asm, Fwd
17	105-6814	1	Washer-Shield
18	46-8091	2	Screw-HWH
19	105-1833-03	1	Bracket-Pivot, Fwd
20	32144-4	2	Screw-HWH
21	92-5791	1	Spacer
22	91-2258	1	V-Belt
23	104-8691	2	Pulley-Half, Front

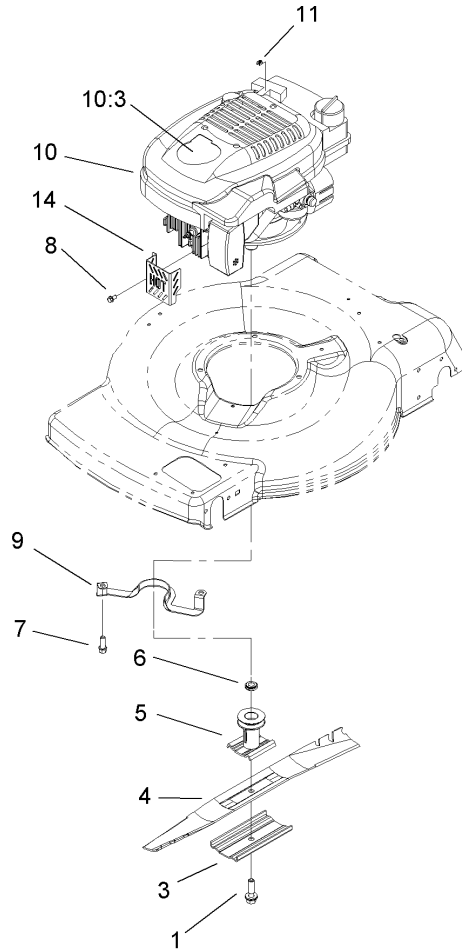
Ref	Part No.	Qty.	Description
24	3256-24	1	Washer-Flat
25	3296-5	1	Nut-Lock, NI
26	105-1839	1	Cover-Belt, Front
27	36-4780	1	Washer



Transmission Assembly No. 106-3955

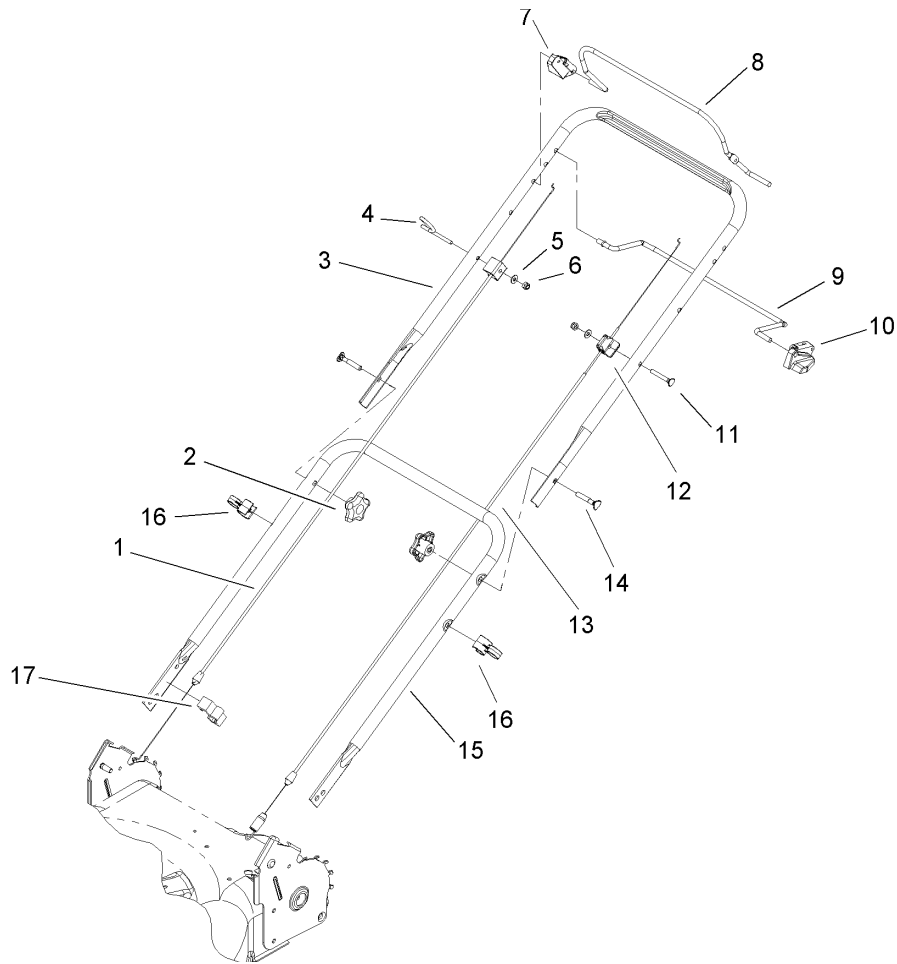
Ref	Part No.	Qty.	Description
1	32144-4	4	Screw-HWH
2	105-6817	1	Pin-Groove
3	36-4780	1	Washer
4	92-5790	1	Pinion
5	100-1048	1	Bearing-Ball
6	104-8671	1	Gear-Bevel, 37t
7	106-3957	1	Shaft-Output
8	104-8673	2	Bushing-Shaft, Output
9	104-8674	1	Gearcase-Upper
10	104-8675-03	1	Cover-Gearcase
11	105-6839	1	Gasket-Gearcase

--	--	--	--



Engine and Blade Assembly

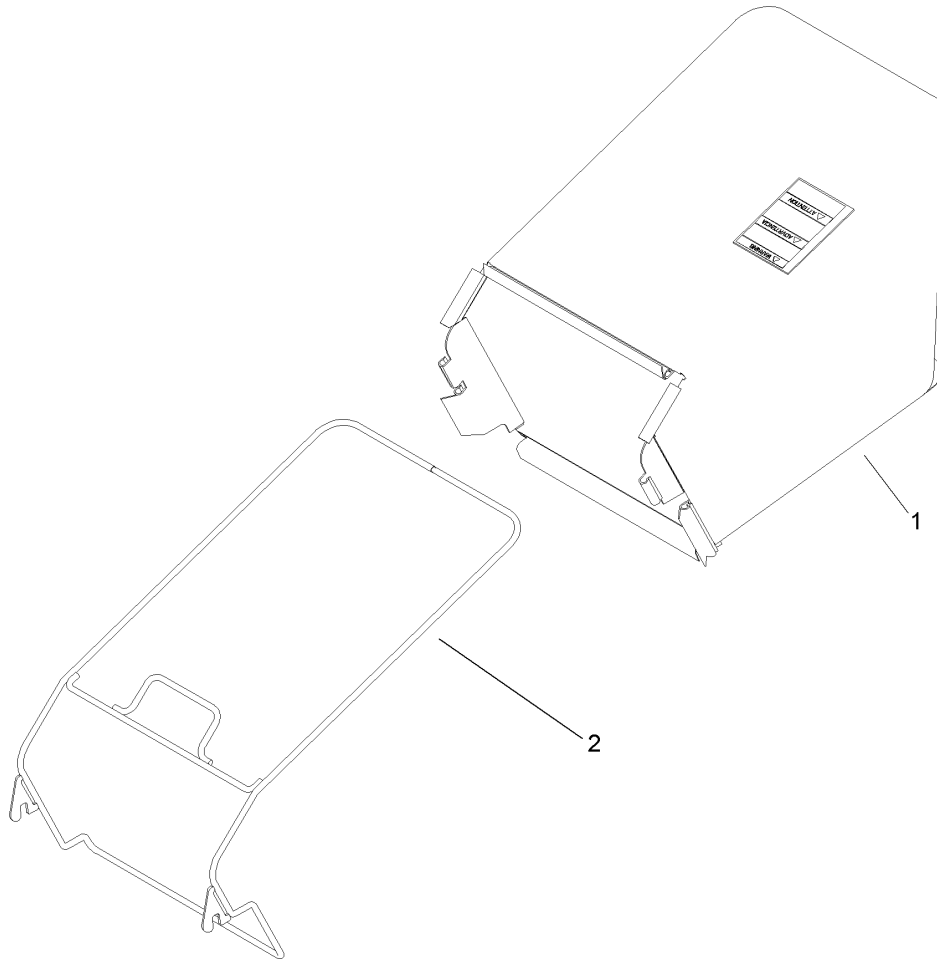
Ref	Part No.	Qty.	Description				
1	105-8579	1	Bolt-Blade				
3	105-3029-03	1	Support-Blade				
4	104-8697-03	1	Blade-22 Inch				
5	106-3987	1	Blade Driver ASM				
6	106-3999	1	Spacer-Driver				
7	95-1726	3	Screw-Taptite				
8	32144-85	1	Screw-HWH				
9	105-3031-03	1	Guide-Belt				
10		1	Engine-Tecumseh, Lev195ea-362003b				
10:3	105-6815	1	Decal-Recoil				
11	92-1701	1	Stop-Rope				
14	106-8346-03	1	Guard-Muffler				



2 Bail HP Handle Assembly

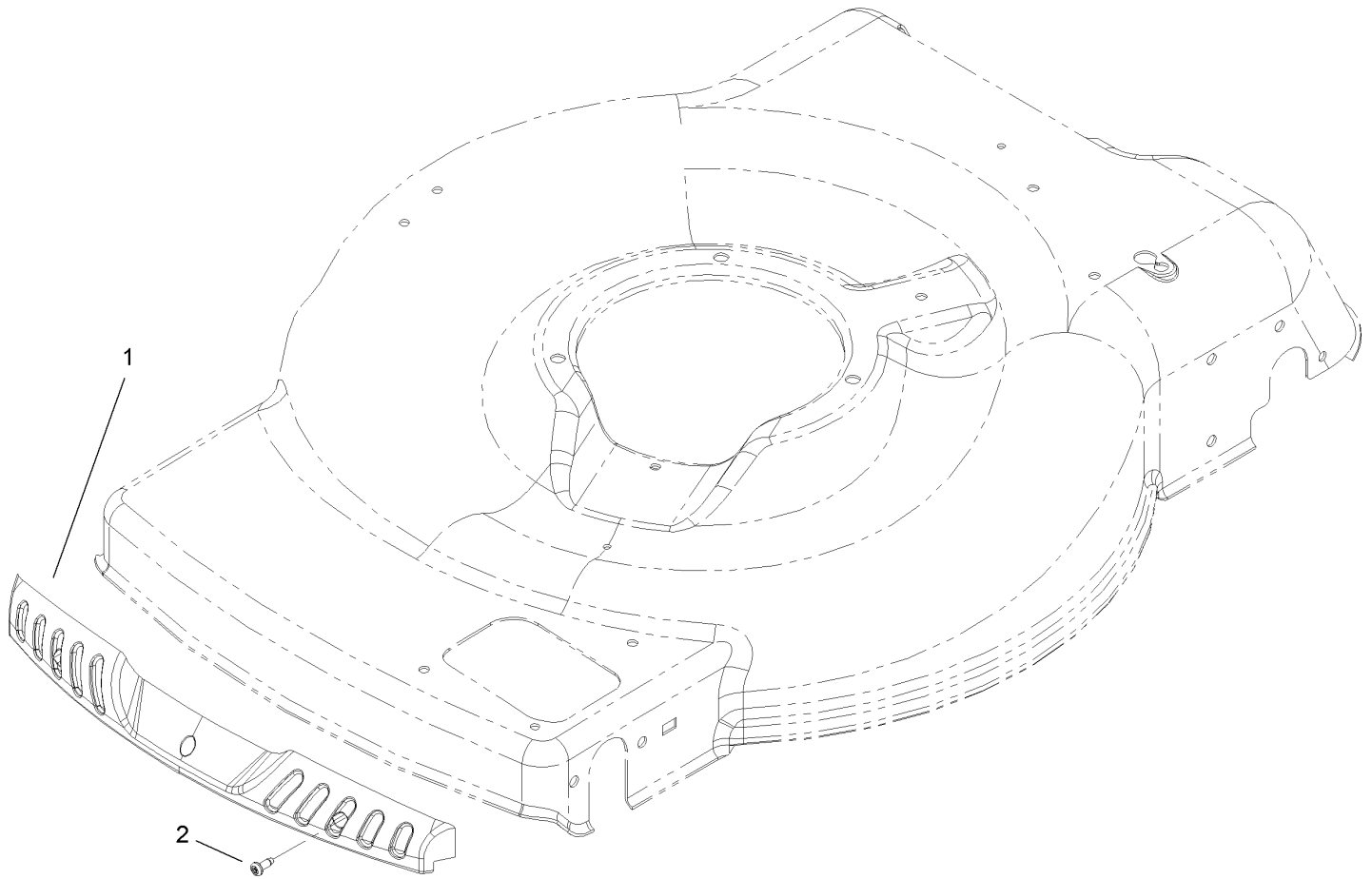
Ref	Part No.	Qty.	Description
1	104-8677	1	Cable-Brake
2	106-4161	2	Knob-Handle
3	104-8680-05	1	Handle-Upper
4	106-8330	1	Guide-Rope
5	3256-1	2	Washer-Flat
6	3296-73	2	Nut-Lock, NI
7	107-0757	1	Stop-Pivot
8	105-6800-03	1	Bail-Brake
9	105-1837-03	1	Bail-Control
10	104-8682	1	Stop-Pivot
11	95-4453	1	Screw
12	92-7729	1	Anchor-Cable, Upper
13	105-1845	1	Cable-Traction
14	92-2260	2	Screw-Handle
15	107-0784-05	1	Handle-Lower
16	106-6805	2	Guide-Cable
17	105-6830	1	Guide-Cable

--	--	--	--



Rear Bag Assembly

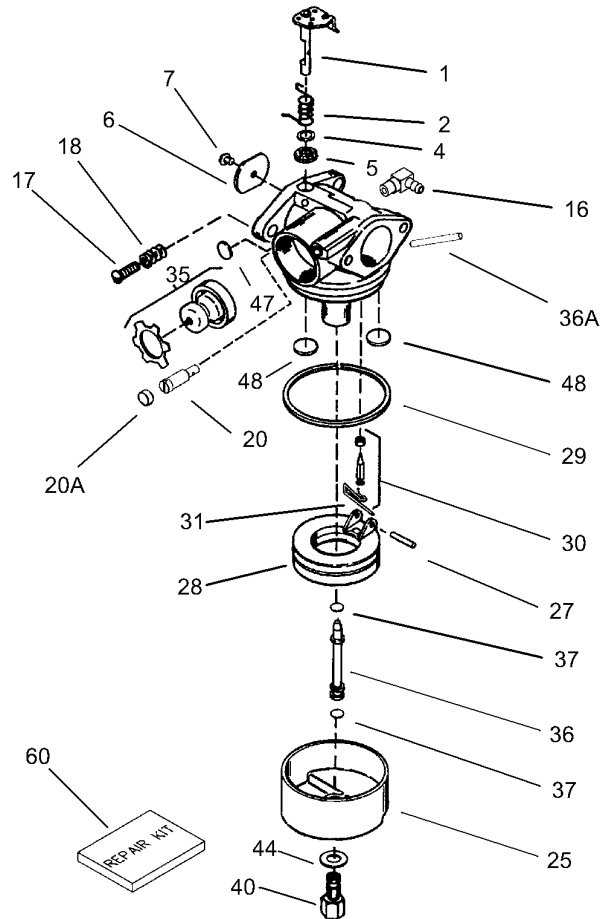
Ref	Part No.	Qty.	Description
1	105-3011	1	Grass Bag ASM
2	105-6831-03	1	Brace-Bag Frame ASM



Bumper Assembly Serial No. 240003073-240004191

Ref	Part No.	Qty.	Description
1	104-9359	1	Bumper-Mower
2	105-6849	3	Screw-Thread Forming

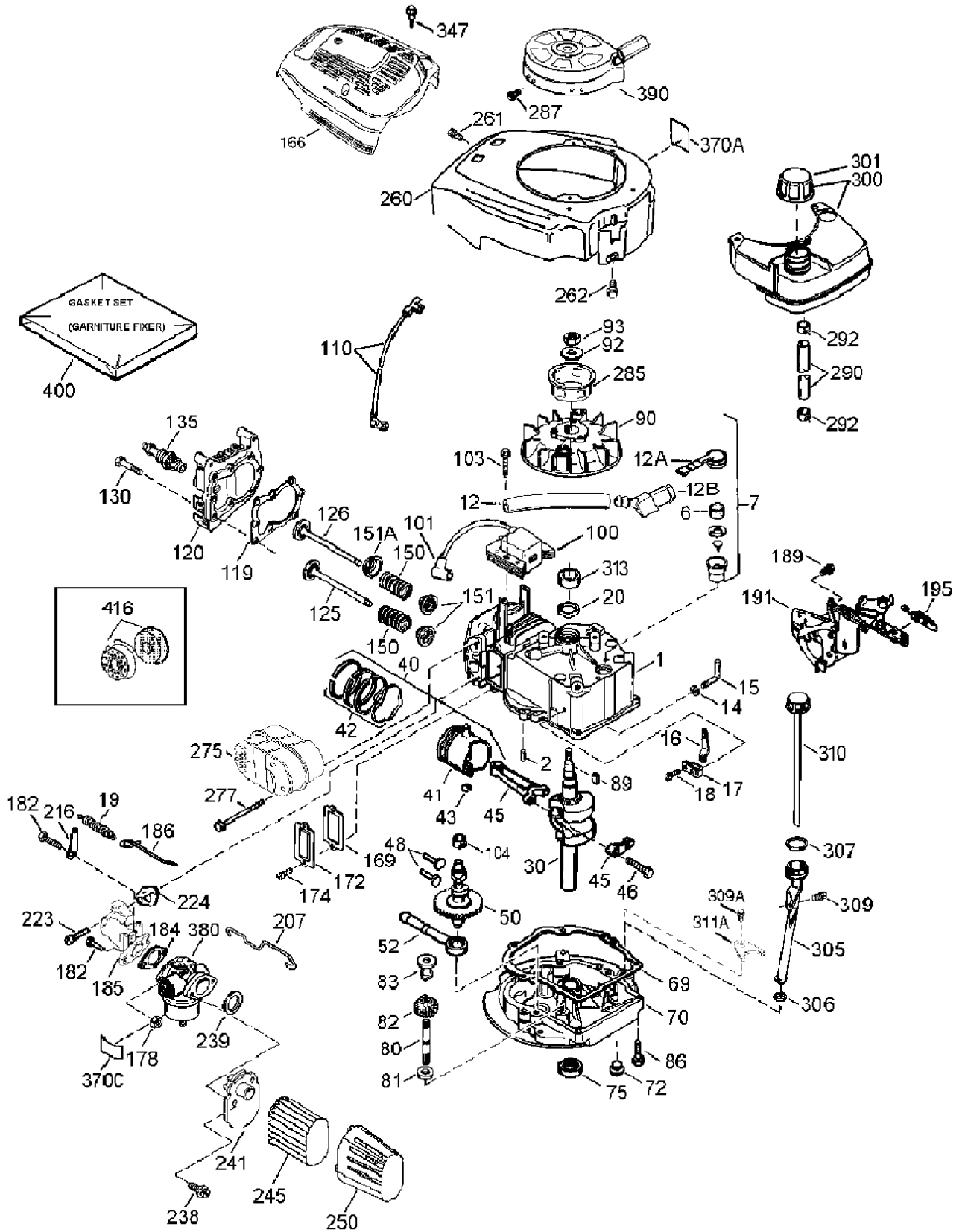
--	--	--	--



Carburetor Assembly No. 640303 Tecumseh Model No. Lv195ea-362003b

Ref	Part No.	Qty.	Description	Ref	Part No.	Qty.	Description
②0	640303	1	Carburetor (Incl. Ref. #184 Of Engine Parts List)	②40	640087	1	High Speed Bowl Nut
②1	631615	1	Throttle Shaft And Lever ASM	②*44	27110A	1	Bowl Nut Washer
②2	631767	1	Throttle Return Spring	②*47	630748	1	Welch Plug, Idle Mixture Well
②*4	631184	1	Dust Seal Washer	②*48	631027	2	Welch Plug, Atmospheric Vent
②*5	631183	1	Dust Seal	②60	632809	1	Repair Kit (Incl. Items Marked * In Notes)
②6	640070	1	Throttle Shutter				
②*7	650506	1	Shutter Screw				
②16	631807	1	Fuel Fitting				
②17	651025	1	Throttle Crack Screw/idle Speed Screw				
②18	630766	1	Tension Spring				
②20	640018	1	Idle Restrictor Screw				
②*20A	640200	1	Idle Restrictor Screw Cap				
②25	631867	1	Float Bowl				
②*27	631024	1	Float Shaft				
②28	632802	1	Float (Plastic)				
②*29	631028	1	Float Bowl O-Ring				
②*30	632807	1	Inlet Needle, Seat, & Clip (Incl. Ref. # 31)				
②*31	631022	1	Spring Clip				
②35	640259	1	Primer Bulb(Red)/retainer Ring				
②36	640019	1	Main Nozzle Tube				
②36A	632766	1	Bowl Vent Tube Extension				
②*37	632547	2	O-Ring, Main Nozzle Tube				

Engine Assembly Tecumseh Lv195ea-362003b



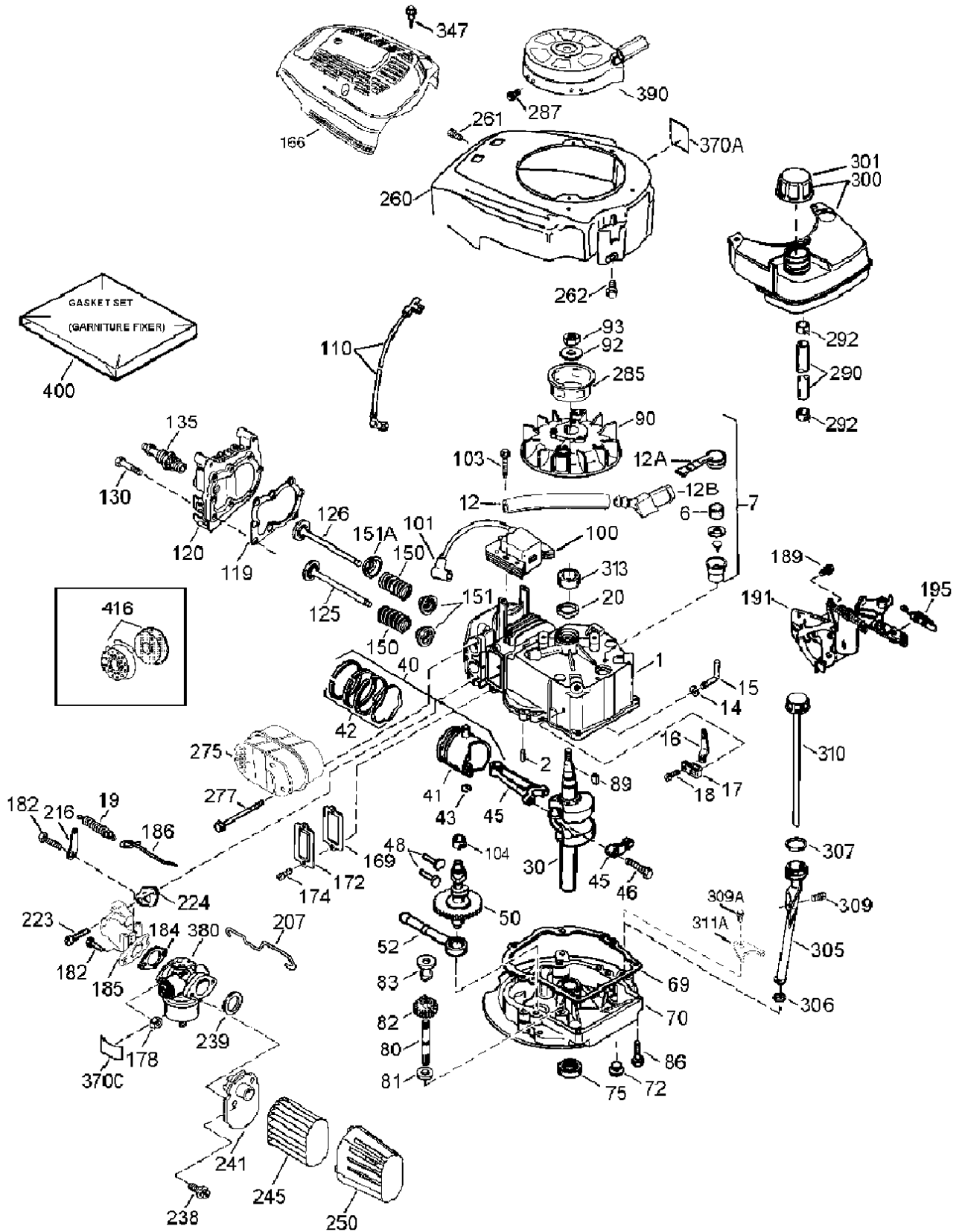
Engine Assembly

Tecumseh Lv195ea-362003b

Ref	Part No.	Qty.	Description	Ref	Part No.	Qty.	Description
②1	37465	1	Cylinder (Incl. Ref. #2, 20 And 150)	②125	37288	1	Valve-Exhaust (Std.) (Incl. Ref. #151)
②2	26727	2	Pin-Dowel	②126	37289	1	Valve-Intake (Std.) (Incl. Ref. #151 And 151a)
②6	33734	1	Element-Breather	②130	6021A	8	Screw, 5/16-18 X 1-7/16in
②7	36557	1	Breather ASM (Incl. Ref. #6 And 12a)	②135	35395	1	Resistor Spark Plug (Rj19Im)
②12	36775	1	Tube-Breather	②150	31672	2	Spring-Valve
②12A	36558	1	Breather Cover And Tube (Incl. Ref. #12b)	②151	31673	2	Cap-Valve Spring
②12B	36694	1	Elbow-Breather Tube	②151A	40017	1	Seal-Intake Valve
②14	28277	1	Washer	②166	37694	1	Shroud-Engine
②15	30589	1	Governor Rod (Incl. Ref. #14)	②*169	36783	1	Gasket-Valve Cover
②16	34839A	1	Lever-Governor	②172	36784	1	Cover-Valve
②17	31335	1	Lever Clamp-Governor	②174	30200	2	Screw, 10-24 X 9/16in
②18	651018	1	Screw, T-15, 8-32 X 19/64in	②178	29752	2	Nut & Lock Washer, 1/4-28
②19	36281	1	Spring-Extension	②182	6201	2	Screw, 1/4-28 X 7/8in
②20	32600	1	Seal-Oil	②*184	26756	1	Carburetor To Intake Pipe Gasket
②30	37692	1	Crankshaft	②185	37466	1	Pipe-Intake
②40	40027	1	Piston, Pin And Ring Set (Std.)	②186	32653	1	Link-Governor
②41	40042	1	Piston And Pin ASM (Std.) (Incl. Ref. # 43)	②189	650839	2	Screw, 1/4-20 X 3/8in
②42	40006	1	Ring Set (Std.)	②191	36559A	1	Bracket-S.e. Brake (Incl. Ref. #195)
②43	20381	2	Piston Pin Retaining Ring	②195	610973	1	Terminal
②45	36777	1	Connecting Rod ASM (Incl. Ref. #46)	②207	34336A	1	Link-Throttle
②46	32610A	2	Bolt-Connecting Rod	②216	33086	1	Lever-R.p.m. Adjusting
②48	27241	2	Valve-Lifter	②223	650451	2	Screw, 1/4-20 X 1in
②50	37460	1	Camshaft (Exhaust Mcr) (Incl. Ref. #104)	②*224	36786	1	Gasket-Intake Pipe
②52	29914	1	Oil Pump Asm.	②238	650932	2	Screw, 10-32 X 49/64in
②*69	37609	1	Gasket-Mounting Flange	②*239	34338	1	Gasket-Air Cleaner
②70	37608	1	Flange-Mounting (Incl. Ref. #72-83,306,309a & 311a)	②241	36919	1	Collar-Air Cleaner
②72	37614	1	Plug-Oil Drain	②245	36905	1	Filter-Air Cleaner
②75	27897	1	Seal-Oil	②250	37122	1	Cover-Air Cleaner
②80	30574A	1	Shaft-Governor	②260	37696A	1	Housing-Blower
②81	30590A	1	Washer	②261	30200	2	Screw, 10-24 X 9/16in
②82	30591	1	Governor Gear ASM (Incl. Ref. #81)	②262	650831	2	Screw, 1/4-20 X 1/2in
②83	30588A	1	Spool-Governor	②275	37498	1	Muffler
②86	650488	6	Screw, 1/4-20 X 1-1/4in	②277	650988	2	Screw, 1/4-20 X 2-9/32in
②89	611004	1	Key-Flywheel	②285	35000A	1	Cup-Starter
②90	611112	1	Flywheel	②287	650926	2	Screw, 8-32 X 21/64in
②92	650815	1	Washer-Belleville	②290	29774	1	Line-Fuel
②93	650816	1	Nut-Flywheel	②292	26460	2	Clamp-Line, Fuel
②100	34443C	1	Ignition-Solid State	②300	35586A	1	Fuel Tank (Incl. Ref. #292 And 301)
②101	610118	1	Cover-Spark Plug	②301	36246	1	Fuel Cap ASM
②103	651007	2	Screw, T-15, 10-24 X 15/16in	②305	35647	1	Tube-Oil Fill
②104	37480	1	Bushing-Cam	②*306	37610	1	Inoin-Ring
②110	37047	1	Wire-Ground	②307	35499	1	Inoin-Ring
②*119	36787	1	Gasket-Cylinder Head	②309	650562	1	Screw, 10-32 X 1/2in
②120	36825	1	Head-Cylinder	②309A	650783	1	Screw, 10-24 X 3/4in
②125	36780	1	Valve-Exhaust (1/32in Os) (Incl. 151)	②310	35648	1	Dipstick
				②311A	37611	1	Bracket-Hold Down
				②313	34080	1	Spacer
				②347	650898A	1	Screw, 10-32 X 27/32in

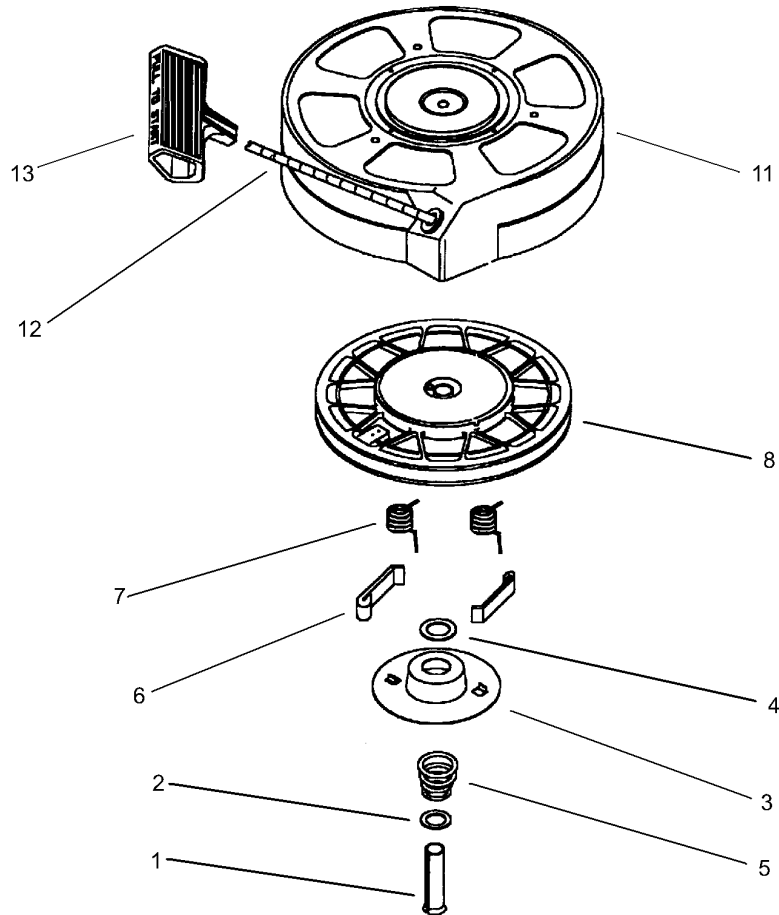
Engine Assembly

Tecumseh Lv195ea-362003b (continued)



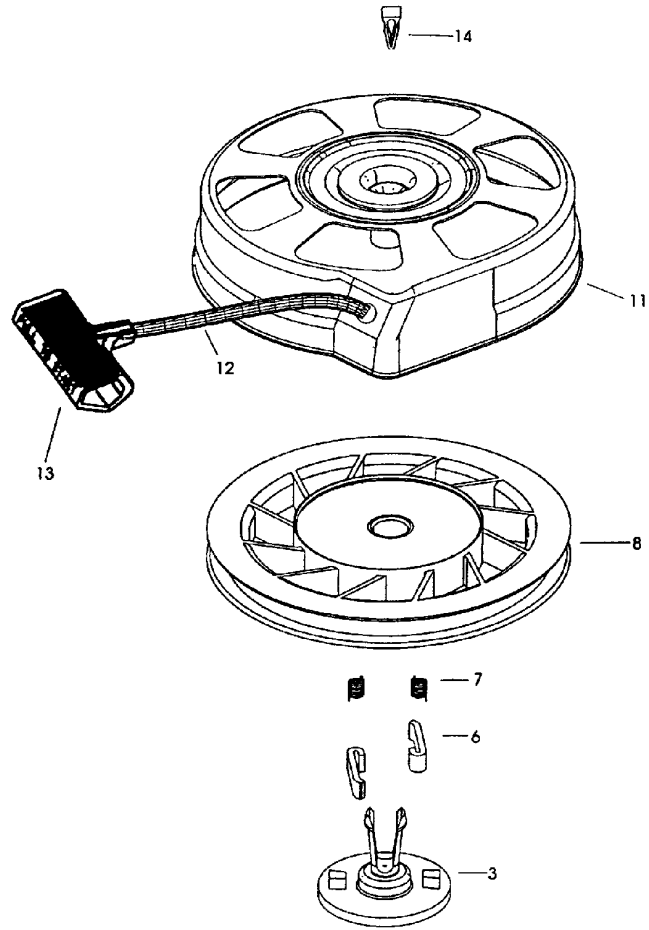
Engine Assembly Tecumseh Lv195ea-362003b (continued)

Ref	Part No.	Qty.	Description				
②370	35977	1	Decal-Warning				
②370A	36261	2	Decal-Lubrication				
②370C	37695	1	Decal-Primer				
②380	640303	1	Carburetor (Incl. Ref. #184)				
②390	590739	1	Starter-Rewind				
②400	37613	1	Gasket Set				
②416	37530	1	Spark Arrestor Kit (Optional)				
②	750876	1	Shortblock				



Recoil Starter (Optional) No. 590702 Tecumseh Lv195ea-362003b

Ref	Part No.	Qty.	Description				
②0	590702	1	Recoil Starter				
②1	590599A	1	Spring Pin ASM (Incl. Ref. #4)				
②2	590600	1	Washer				
②3	590696	1	Retainer				
②4	590601	1	Washer				
②5	590697	1	Brake Spring				
②6	590698	2	Starter Dog				
②7	590699	2	Dog Spring				
②8	590700	1	Pulley & Rewind Spring Asm.				
②11	590703A	1	Starter Housing Asm. (40 Degree Grommet)				
②12	590535	1	Starter Rope (98in X 9/64in Dia.)				
②13	590701	1	Starter Handle				



Recoil Starter Assembly No. 590739 Tecumseh No. Lv195ea-362003b

Ref	Part No.	Qty.	Description				
②0	590739	1	Starter-Rewind				
②3	590740	1	Retainer				
②6	590616	2	Starter Dog				
②7	590617	2	Dog Spring				
②8	590618A	1	Pulley & Rewind Spring ASM				
②11	590638A	1	Starter Housing ASM (40 Degree Grommet)				
②12	590535	1	Starter Rope (98in X 9/64in Dia.)				
②13	590701	1	Starter Handle				
②14	590760	1	Spring Clip				

NOTES

NOTES

