



## Workman<sup>®</sup> 2110 Utility Vehicle

Model No. 07277 - 240000001 and up.

### Parts Catalog

---

#### **Ordering Replacement Parts**

To order replacement parts, please supply the part number, the quantity, and the description of each part desired.

#### **Understanding Reference Numbers**

Each Identified part in an illustration has a reference number. The reference number for a part also appears in the parts list, along with other information about the part.

This catalog uses two special reference number formats, one to indicate parts in a service assembly and another to indicate the quantity of a given part in an illustration.

#### **Service Assembly Reference Numbers**

Parts in service assemblies have reference numbers in the form a:b. The a represents the reference number of the entire service assembly and the b represents a sequential number unique to each part within the service assembly.

For example, a wheel assembly might be identified by reference number 6, the tire by 6:1, the valve by 6:2, and the wheel by 6:3. When you order the assembly identified by reference number 6, you receive all parts identified by reference numbers 6:1, 6:2, and 6:3. However, you may also order any part individually. Reference numbers of this type appear in illustrations and in part lists.

#### **Reference Numbers Indicating Quantity**

In an illustration, if a reference number indicates more than one part, the reference number has the form nX y. The n represents the quantity of the part, the X is the multiplication symbol, and the y represents the reference number.

For example, in an illustration, the reference number 2X 37 means that two of the parts identified by reference number 37 are indicated.

# Contents

Description	Page	Description	Page
Hood and Fender Assembly	3	Crankcase Assembly Briggs and Stratton 303440-1326-E1	30
Pedal Assembly	4	Crankshaft Assembly Briggs and Stratton 303440-1326-E1	31
Shifter Assembly	5	Cylinder Head Assembly Briggs and Stratton 303440-1326-E1	32
Frame Assembly	6	Oil Filter, Tube and Pump Assembly Briggs and Stratton 303440-1326-E1	33
Seat Base Assembly	7	Carburetor Assembly Briggs and Stratton 303440-1326-E1	34
Front Tire and Steering Assembly	8	Intake Manifold Assembly Briggs and Stratton 303440-1326-E1	35
Engine and Clutch Assembly	9	Governor Assembly Briggs and Stratton 303440-1326-E1	36
Drive Clutch Assembly No. 99-7145	11	Flywheel Assembly Briggs and Stratton 303440-1326-E1	37
Starter Generator Assembly No. 99-7108	12	Blower Housing Assembly Briggs and Stratton 303440-1326-E1	38
Rear Tire and Transaxle Assembly	13	Gasket Assembly Briggs and Stratton 303440-1326-E1	39
Transaxle Assembly No. 107-0360	14	Carburetor Overhaul Kit Assembly Briggs and Stratton 303440-1326-E1	40
Driven Clutch Assembly No. 99-7104	16		
Left Hand Brake Assembly No. 104-6807	17		
Right Hand Brake Assembly No. 104-6806	18		
Drivetrain Mount Assembly	19		
Air Cleaner Assembly No. 99-7120	20		
Upper Steering Assembly	21		
Steering Gearbox Assembly No. 99-7660	22		
Box Assembly	23		
Box and Tailgate Assembly	24		
Hydraulic Brake Assembly	25		
Left Hand Caliper Assembly No. 107-0361	26		
Right Hand Caliper Assembly No. 107-0362	27		
Master Cylinder Assembly No. 104-6782	28		
Cylinder Assembly Briggs and Stratton 303440-1326-E1	29		

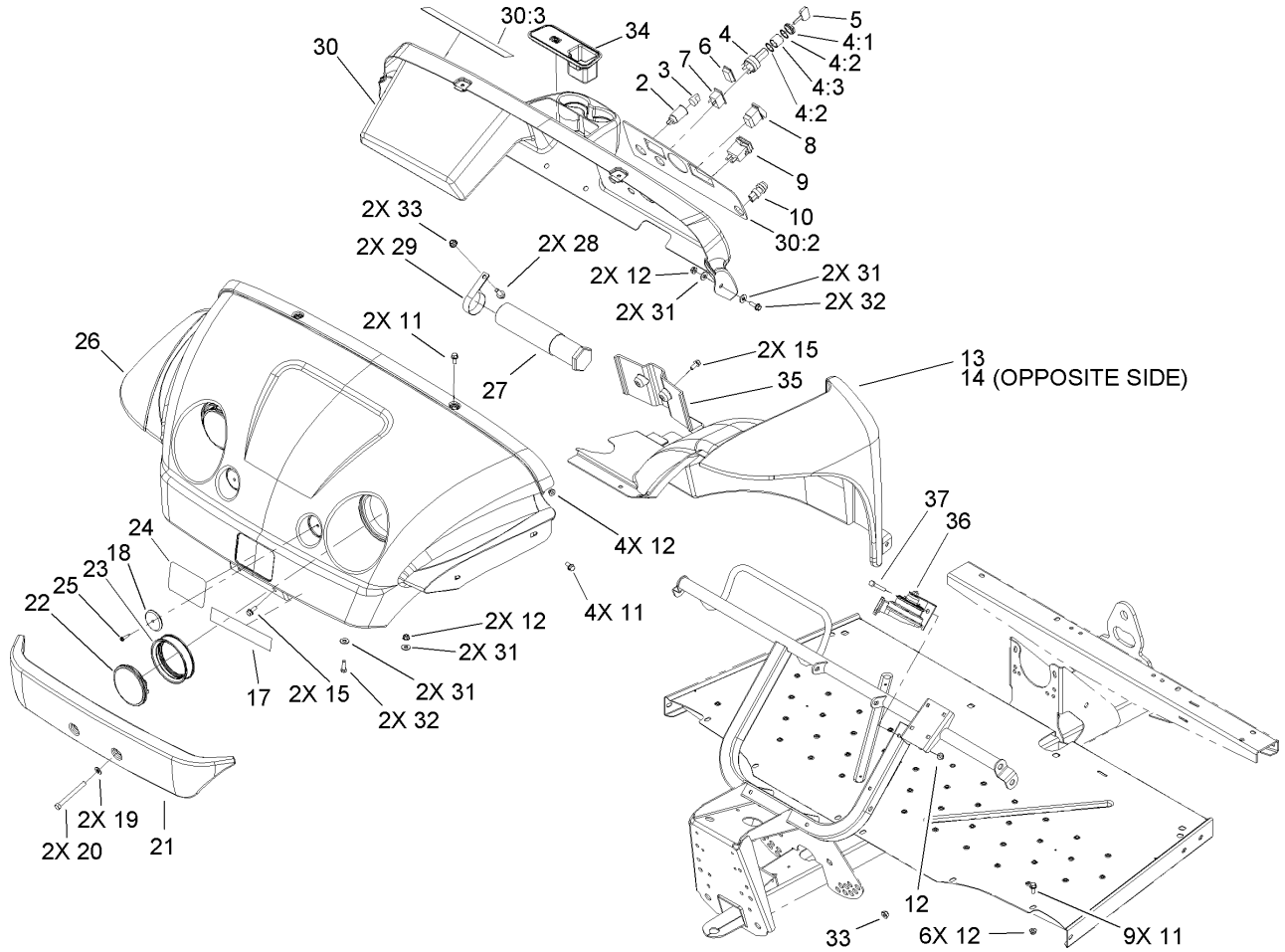
## Part Description Abbreviations

Part descriptions in this catalog may include the following abbreviations.

AR. .... as required	INC. .... incorporated
ASM. .... assembly	LH. .... left hand
CARR. .... carriage	NI. .... nylon insert
DEG. .... degrees	PPH. .... phillips pan head
FH. .... flat head	PTH. .... phillips truss head
GA. .... gauge	PTO. .... power take off
HF. .... hex flange	RH. .... right hand
HH. .... hex head	SFH. .... slotted fillister head
HHF. .... hex head flange	SHH. .... slotted hex head
HHFTF. .... hex head flange thread forming	SHWH. .... slotted hex washer head
HJ. .... hex jam	SPH. .... slotted pan head
HLH. .... hex lag head	SQH. .... square head
HOC. .... height-of-cut	SRH. .... slotted round head
HS. .... hex	STD. .... standard
HSBH. .... hex socket button head	TAP. .... self tapping
HSFH. .... hex socket flat head	TTH. .... torx truss head
HSH. .... hex socket head	WH. .... wing head
HWH. .... hex washer head	
HWHTF. .... hex washer head thread forming	
HYD. .... hydraulic	

## Footnotes

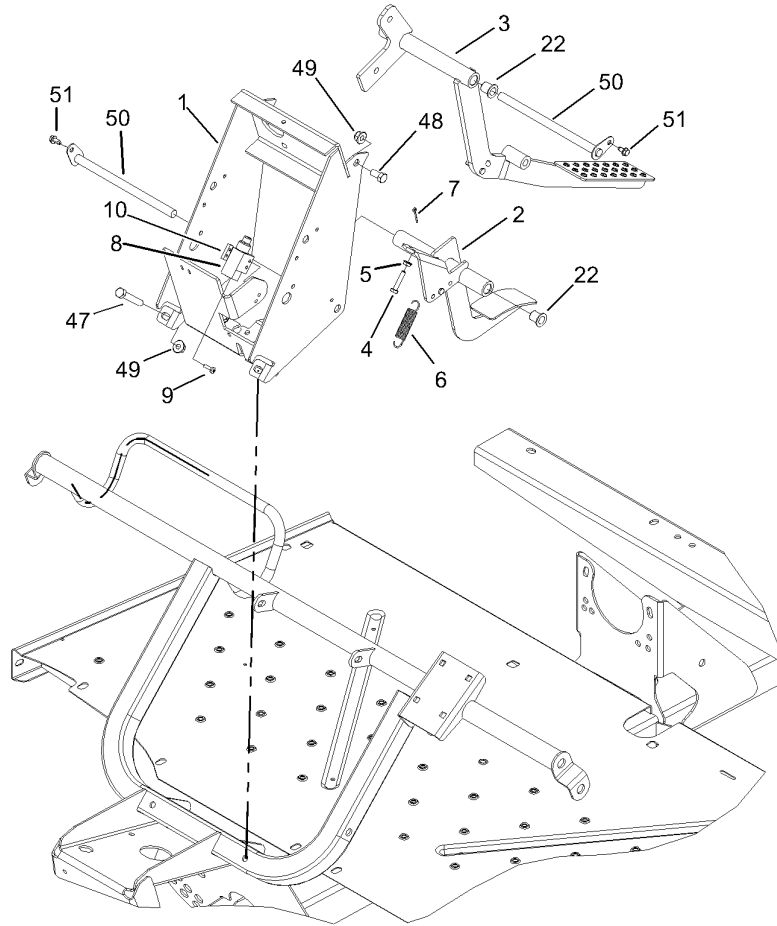
- |   |   |
|---|---|
| ❶ Not illustrated                               | ❷ Not serviced separately                               |
| ❸ Included in Engine Gasket Set-Ref. 358.       | ❹ Included in Valve Gasket Set-Ref. 1095.               |
| ❺ Included in Carburetor Overhaul Kit-Ref. 121. | ❻ Obtain parts from your local Briggs & Stratton dealer |



## Hood and Fender Assembly

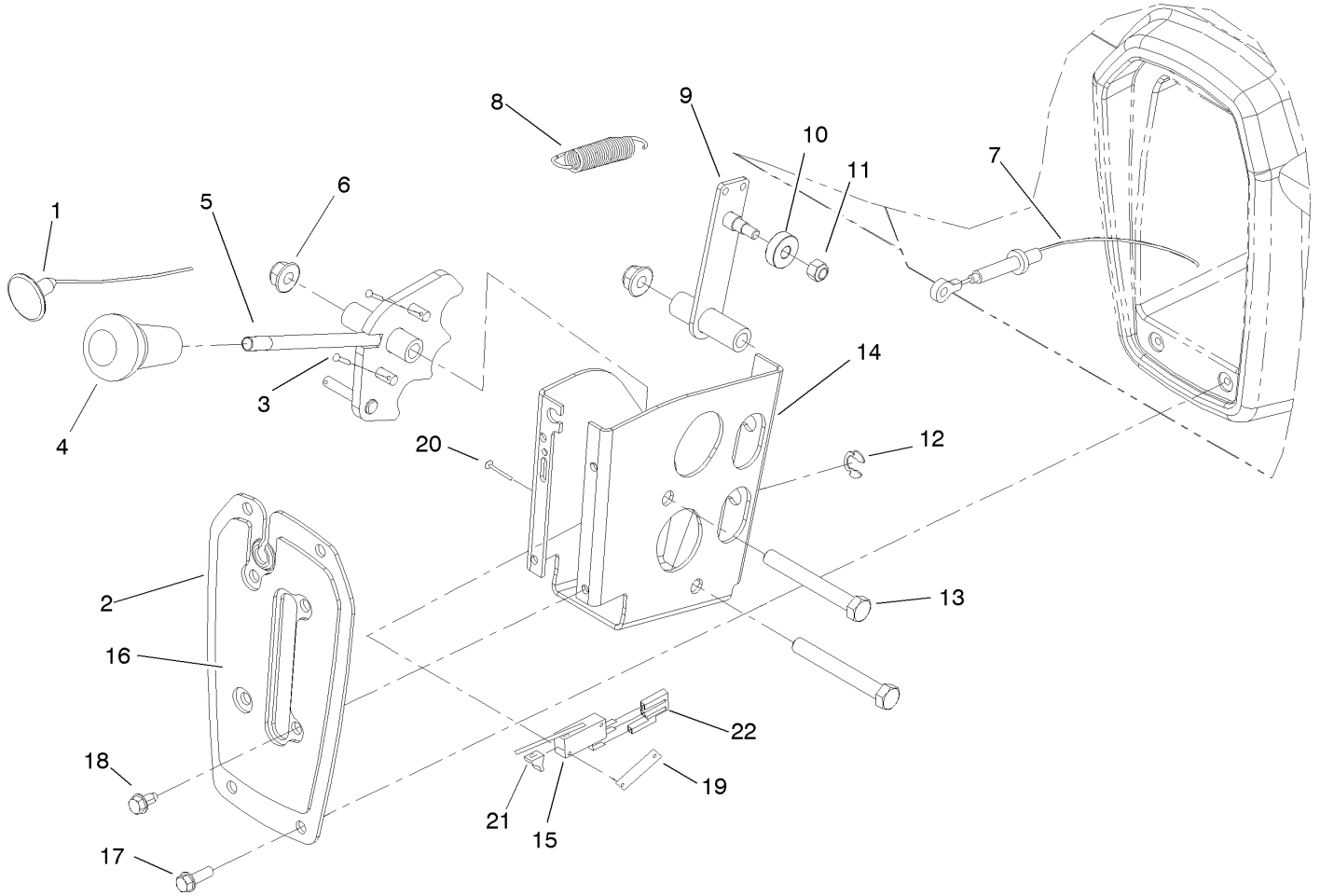
Ref	Part No.	Qty.	Description
2	99-7411	1	Point-Power
3	99-7416	1	Cap
4	104-6929	1	Switch-Ignition
4:1	104-7042	1	Nut-Switch, Plastic
4:2	104-7019	2	Washer-Lock, Internal
4:3	104-7021	1	Spacer-Switch
5	99-7418	2	Key-Ignition
6	99-7420	1	Plug-Hole
7	99-7410	1	Light-Oil
8	95-8999	1	Switch
9	94-4208	1	Hourmeter
10	18-2830	1	Button-Horn
11	3234-5	14	Screw
12	104-8300	15	Nut-Flange, NI
13	104-7076	1	LH Fender ASM
14	104-7077	1	RH Fender ASM
15	104-7206	4	Screw HHF
17	104-7267	1	Decal
18	99-7312	2	Reflector
19	3256-24	2	Washer-Flat
20	323-42	2	Screw-HH
21	99-7733	1	Bumper-Plastic
22	99-7310	2	Headlight
23	99-7311	2	Mount-Headlight

Ref	Part No.	Qty.	Description
24	99-7339	1	Decal
25	32144-89	2	Screw-Forming, Thread
26	104-7003	1	Hood
27	74-0720	1	Tube-Manual
28	3234-11	2	Screw-HHF
29	2412-133	2	R-Clamp
30	107-0700	1	Dash ASM
30:2	107-0699	1	Decal-Panel, Control
30:3	104-6581	1	Decal-Danger
31	3256-3	8	Washer-Flat
32	3234-17	4	Screw-HHF
33	104-8301	4	Nut-Flange, NI
34	104-6930	1	Plug-Rubber
35	104-7075	1	Cover-Channel
36	116749	1	Horn
37	322-11	1	Screw-HH



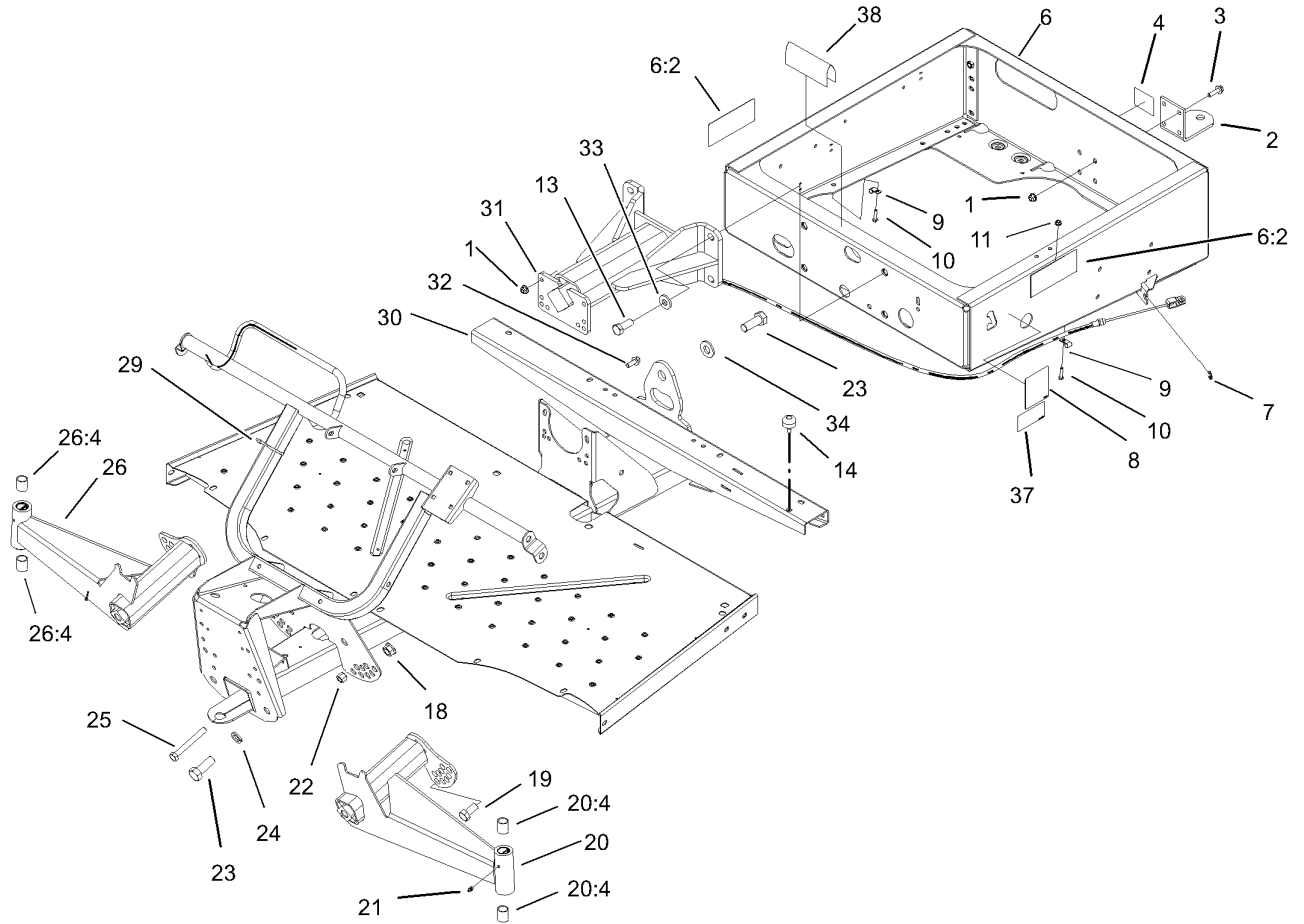
## Pedal Assembly

Ref	Part No.	Qty.	Description	
1	104-7160-03	1	Frame-Pedals	
2	104-7165-03	1	Pedal-Throttle	
3	104-7170-03	1	Pedal-Brake	
4	321-7	2	Screw-HH	
5	32149-2	2	Nut	
6	104-6415	1	Spring-Return, Pedal	
7	3272-4	1	Pin-Cotter	
8	99-7407	1	Switch	
9	104-7221	2	Screw-PPH	
10	1-633181	1	Plate-Tapped	
22	256-155	4	Bushing-Flange	
47	323-11	2	Screw-HH	
48	323-4	2	Screw-HH	
49	104-8301	4	Nut-Flange, NI	
50	104-7164	2	Pivot-Pedals	
51	12-3270	2	Screw	



## Shifter Assembly

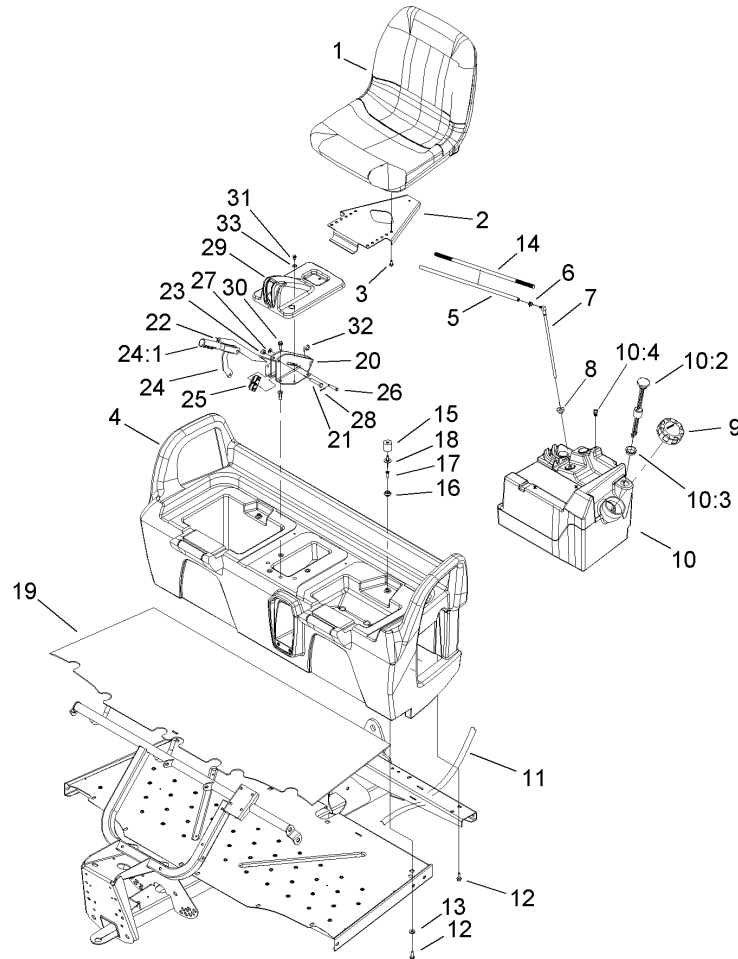
Ref	Part No.	Qty.	Description			
1	99-7111	1	Cable-Choke			
2	99-7887-03	1	Plate-Shifter			
3	3272-5	2	Pin-Cotter			
4	99-7981	1	Knob-Grip, Soft			
5	99-7879	1	Lever-Shifter			
6	104-8301	2	Nut-Flange, NI			
7	104-6896	2	Cable-Shift			
8	104-6415	1	Spring-Return, Pedal			
9	99-7176	1	Detent			
10	251-307	1	Bearing-Ball			
11	3296-42	1	Nut-Lock, NI			
12	32151-101	2	E-Ring			
13	323-14	2	Screw-HH			
14	104-6509-03	1	Bracket-Shift			
15	88-9932	1	Switch-Micro			
16	99-7952	1	Decal-Shifter			
17	32105-15	4	Screw			
18	12-3270	4	Screw			
19	3290-354	1	Nut-Speed			
20	3290-313	2	Screw-Ph			
21	93-3240	1	Plunger-Seal			
22	107-0725	1	Harness-Jumper, Shift			



## Frame Assembly

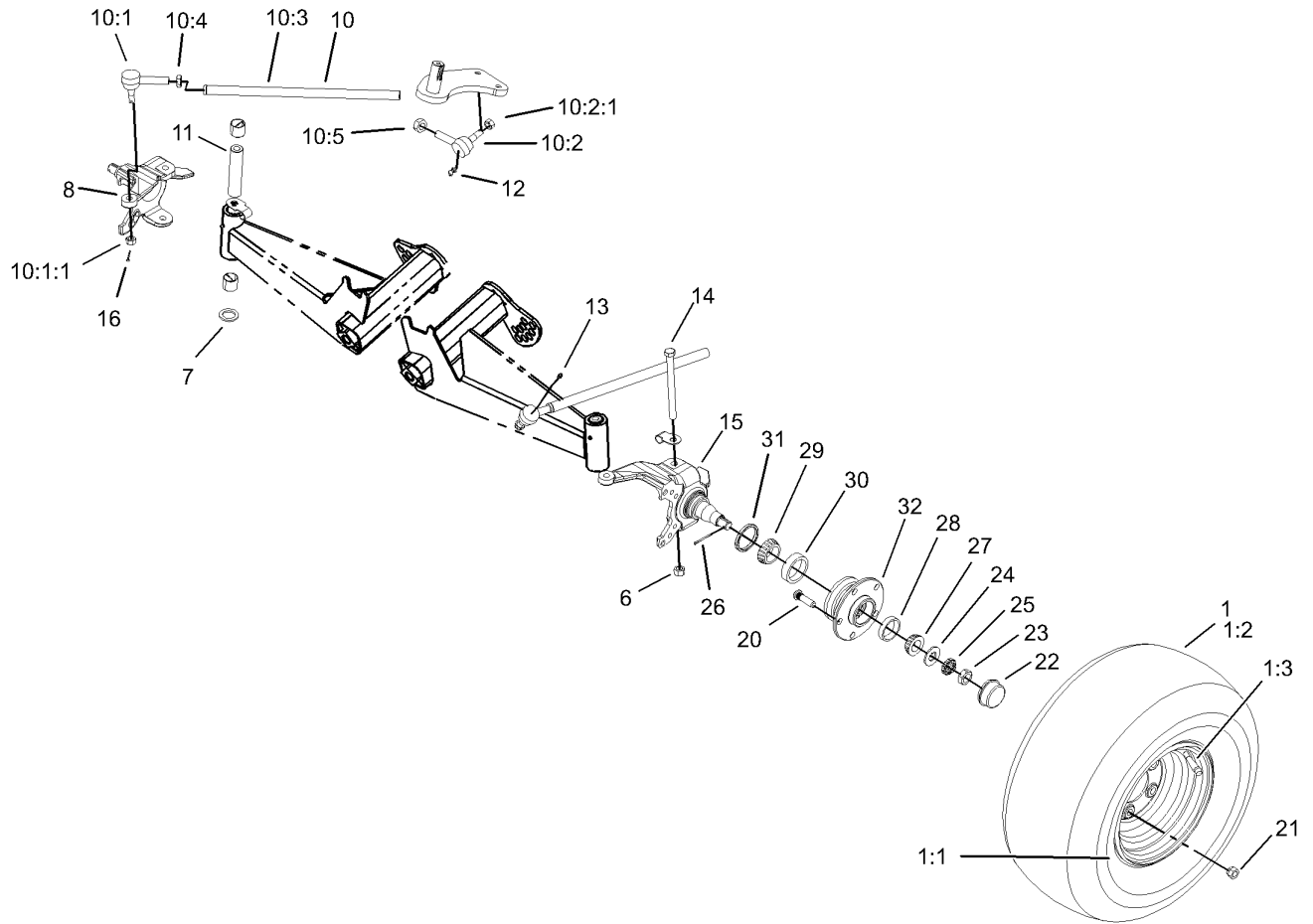
Ref	Part No.	Qty.	Description
1	104-8301	8	Nut-Flange, NI
2	99-7654-03	1	Hitch-Duty, Light
3	3234-24	4	Screw-HHF
4	99-7350	1	Decal-Information
6	99-7362	1	Rear Frame ASM
6:2	99-7345	2	Decal-Warning
7	32120-47	2	Ring-Retaining, External
8	99-7349	1	Decal-Information, Boxlatch
9	2412-89	2	Clamp
10	321-6	2	Screw-HH
11	32128-33	2	Nut-HF
13	327-4	4	Screw-HH
14	87-2440	1	Bumper-Rubber
18	32128-54	2	Nut-Flange
19	3214-2	2	Screw-HH
20	99-7685	1	LH A-Arm ASM
20:4	3-0348	2	Bushing
21	302-5	2	Fitting-Grease
22	3296-23	2	Nut-Lock, NI
23	328-24	5	Screw-HH
24	3254-7	4	Washer-Lock, Int
25	325-17	2	Screw-HH
26	99-7684	1	RH A-Arm ASM
26:4	3-0348	2	Bushing

Ref	Part No.	Qty.	Description
29	3290-379	12	Tie-Cable
30	104-7197-03	1	Front Frame ASM
31	99-7700	1	Pivot Yoke ASM
32	3234-11	4	Screw-HHF
33	99-7667	4	Washer-Flat
34	87-3060	1	Washer-Hardened
37	104-6591	1	Decal-Capacity
38	95-5686	1	Trim



## Seat Base Assembly

Ref	Part No.	Qty.	Description	Ref	Part No.	Qty.	Description
1	106-6672	2	Seat	22	3290-477	1	Washer-Curved
2	99-7829	2	Bracket-Seat	23	3296-39	1	Nut-Lock, NI
3	33114-016	8	Screw-HH	24	104-6842	1	Lever-Brake, Park
4	104-6847	1	Seat Base ASM	24:1	106-7972	1	Grip-Handle
5	99-7187	1	Hose-Fuel	25	87-3480	1	Bracket-Equalizer, Cable
6	2412-98	1	Clamp	26	94-3829	1	Pin-Clevis
7	99-7264	1	Pipe-Stand	27	3256-23	1	Washer-Flat
8	46-6560	1	Bushing	28	3272-6	1	Pin-Cotter
9	95-4192	1	Unleaded Gas Cap ASM	29	104-7014	1	Cover-Brake, Parking
10	99-7323	1	Fuel Tank ASM	30	3234-17	4	Screw-HHF
10:2	99-7262	1	Gauge-Fuel	31	12-3270	2	Screw
10:3	95-8972	1	Grommet	32	32120-47	2	Ring-Retaining, External
10:4	99-7267	1	Vent-Air	33	3256-1	2	Washer-Flat
11	3339-175	1	Strapping-Web, 48in				
12	3234-17	8	Screw-HHF				
13	88-7200	8	Washer-Flat				
14	99-7129	1	Conduit-Line, Fuel				
15	99-7830	2	Rubber Receptical ASM				
16	99-7833	2	Post-Holding				
17	32108-5	2	Screw-FH				
18	3290-412	2	Rivet				
19	104-6590	1	Mat-Floor				
20	104-6844-03	1	Support-Brake, Park				
21	323-10	1	Screw-HH				

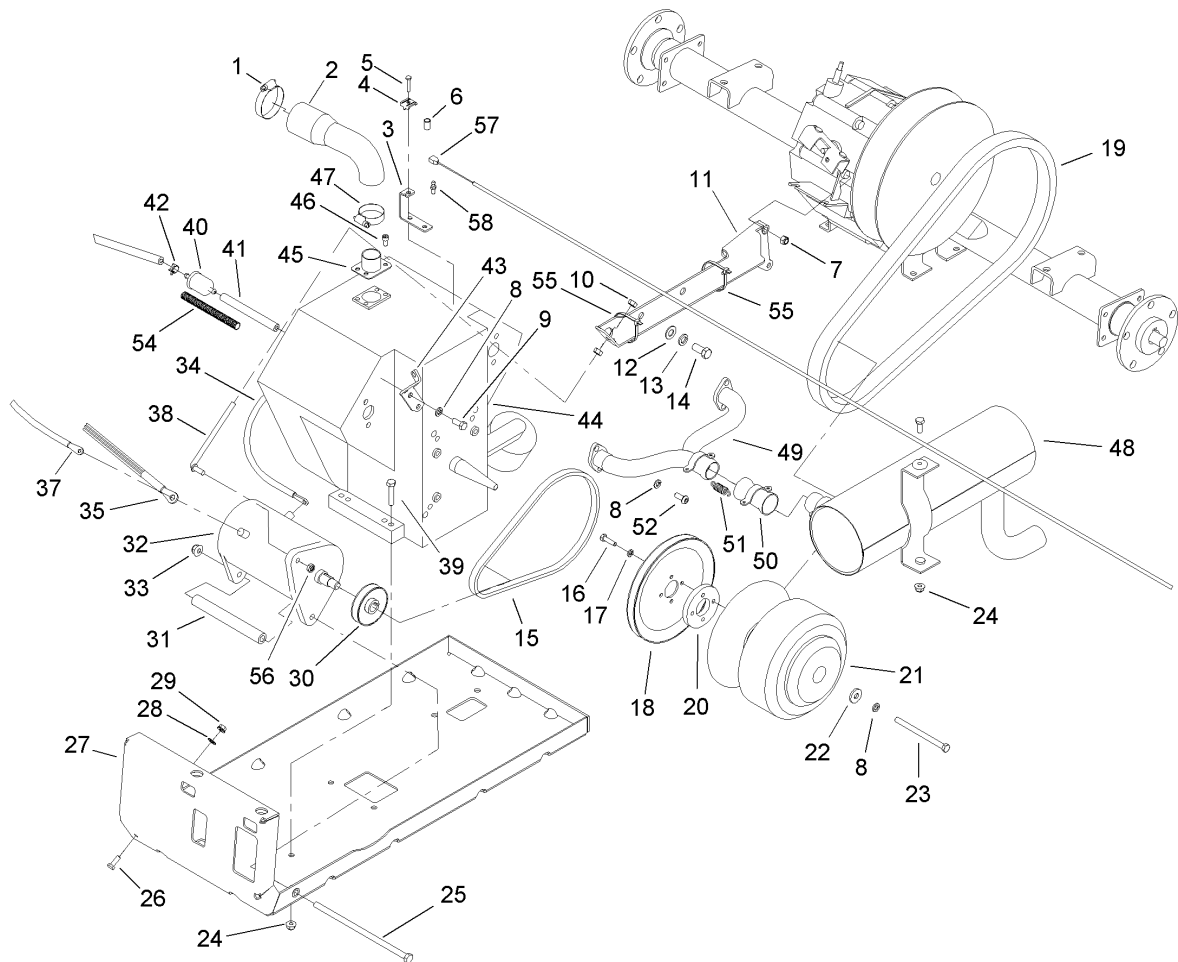


## Front Tire and Steering Assembly

Ref	Part No.	Qty.	Description
1	104-7290	2	Tire/wheel ASM
1:1	104-7288	1	Wheel
1:2	104-7289	1	Tire
1:3	232-27	1	Stem-Valve
6	3296-23	2	Nut-Lock, NI
7	256-115	2	Washer-Thrust
8	104-6877-03	1	Spindle-Machined, RH Disc
10		2	Tie Rod ASM
10:1	112772	1	Joint-Ball, RH
10:1:1	915031	1	Nut
10:2	112771	1	Joint-Ball, LH
10:2:1	915031	1	Nut
10:3	99-7600-03	1	Rod-Tie
10:4	3220-11	1	Nut-Jam
10:5	3218-21	1	Nut-Jam
11	99-7499	2	Sleeve-Kingpin
12	302-60	2	Fitting-Grease
13	302-5	2	Fitting-Grease
14	325-20	2	Screw-HH
15	104-6876-03	1	Spindle-Disc, LH
16	3272-7	4	Pin-Cotter
20	10-6830	10	Stud-Type, Drive
21	242-50	10	Nut-Lug
22	241-119	2	Cap-Dust

Ref	Part No.	Qty.	Description
23	3220-7	2	Nut-Jam
24	93-0309	2	Washer-Tab
25	93-0307	2	Nut-Lock, Retainer
26	3272-12	2	Pin-Cotter
27	254-94	2	Bearing-Cone, Tapered
28	254-72	2	Bearing-Cup, Tapered
29	254-106	2	Cone-Bearing, Tapered
30	254-107	2	Cup-Bearing, Tapered
31	87-3590	2	Seal-Bearing
32	104-6809-03	2	Hub (Machined)

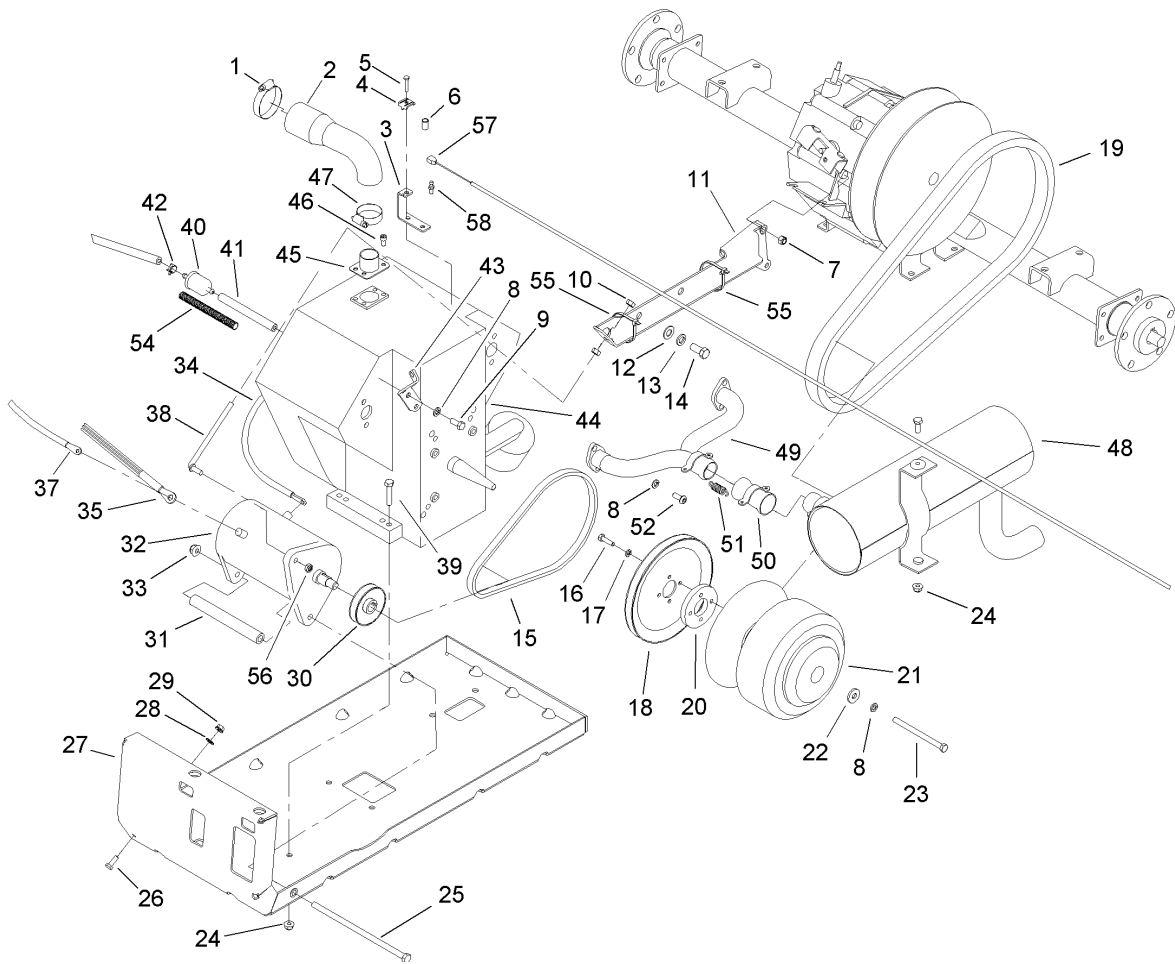




## Engine and Clutch Assembly

Ref	Part No.	Qty.	Description
1	2412-130	1	Clamp-Hose
2	99-7106	1	Hose-Intake
3	107-0319	1	Bracket-Cable
4	81-1690	1	Clamp-Cable
5	3290-432	1	Screw-HH
6	32148-14	1	Insert-Threaded
7	33024-00	2	Nut-Lock
8	3253-4	6	Washer-Lock
9	66-3160	2	Screw-Cap
10	3217-6	2	Nut-Hex
11	104-6631-03	1	Torque Arm ASM
12	3256-25	2	Washer-Flat
13	3253-6	2	Washer-Lock
14	324-4	2	Screw-HH
15	99-7133	1	V-Belt-Starter
16	321-6	4	Screw-HH
17	3253-3	4	Washer-Lock
18	99-7131	1	Pulley-Engine
19	99-7144	1	Belt-Drive
20	99-7064	1	Spacer-Starter
21	99-7145	1	Clutch-Drive
22	5-0838	1	Washer
23	99-7201	1	Screw-HH
24	104-8300	5	Nut-Flange, NI

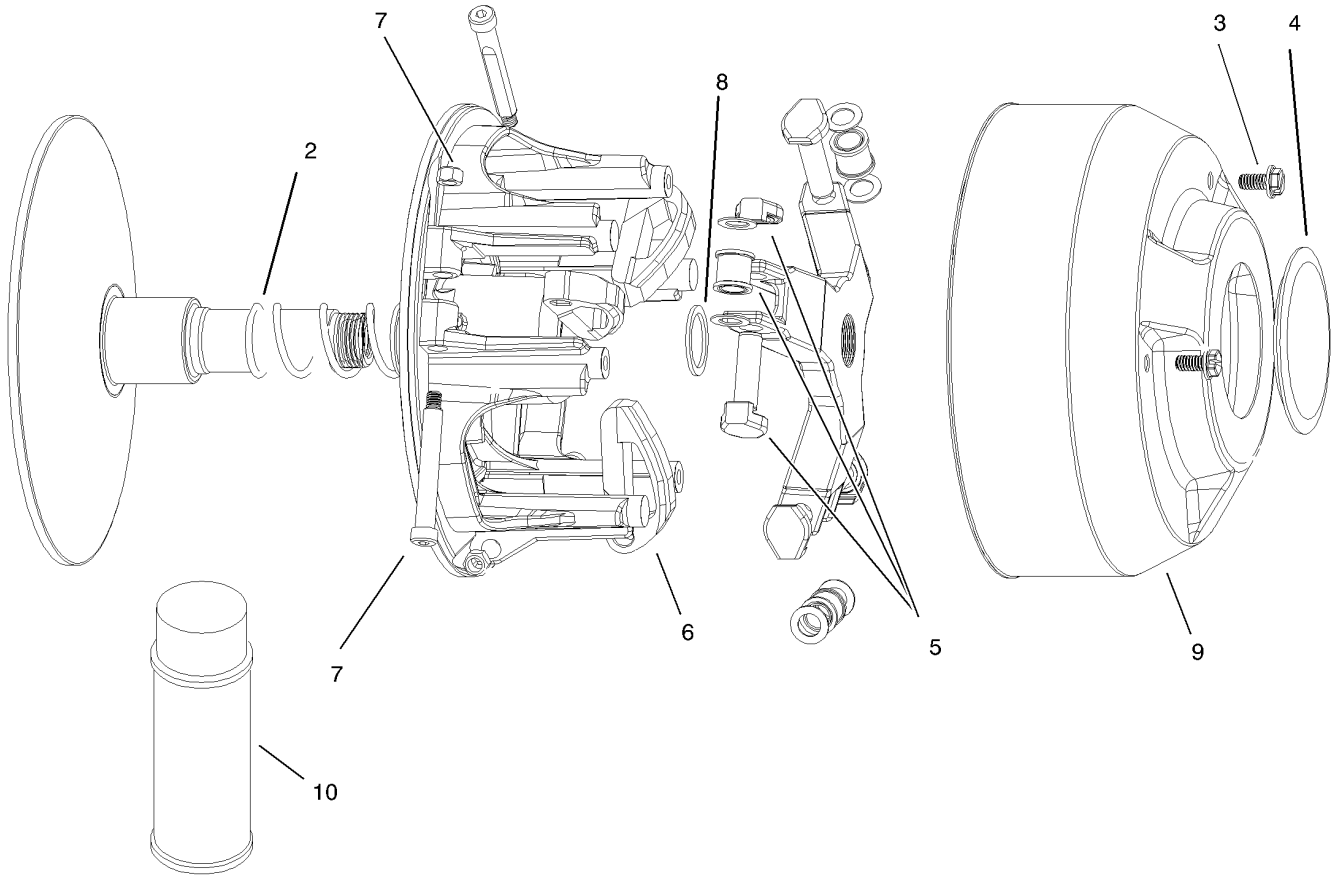
Ref	Part No.	Qty.	Description
25	99-7203	1	Screw
26	321-4	1	Screw-HH
27	104-6433-03	1	Mount-Engine
28	3255-8	1	Washer-Lock
29	32128-32	1	Nut-HHF
30	99-7130	1	Pulley-Starter
31	99-7053	1	Pivot-Starter
32	99-7108	1	Generator-Starter
33	104-8301	2	Nut-Flange, NI
34	99-7403	1	Cable-Negative
35	99-7437	1	Harness-Wire, Engine
37	104-6926	1	Cable-Positive
38	104-6629	1	Rod-Starter
39	322-8	4	Screw-HH
40	94-2690	1	Filter-Fuel
41	47-2966	1	Hose-Fuel
42	2412-98	3	Clamp
43	104-7152	1	Bracket-Cable, Throttle
44	107-0353	1	Engine-Briggs, 16hp
45	99-7083	1	Bracket-Intake
46	99-7202	4	Screw
47	2412-3	1	Clamp-Hose
48	104-6475	1	Muffler-Engine
49	104-6476	1	Manifold-Engine



### Engine and Clutch Assembly (continued)

Ref	Part No.	Qty.	Description
50	104-6477	1	Coupler-Exhaust
51	104-6478	4	Spring-Coupler, Exhaust
52	3274-96	4	Screw
54	99-7377	1	Conduit-Line, Fuel
55	3290-379	2	Tie-Cable
56	3296-20	1	Nut-Lock, NI
57	104-7169	1	Cable-Accelerator
58	99-7847	1	Ball-Stud

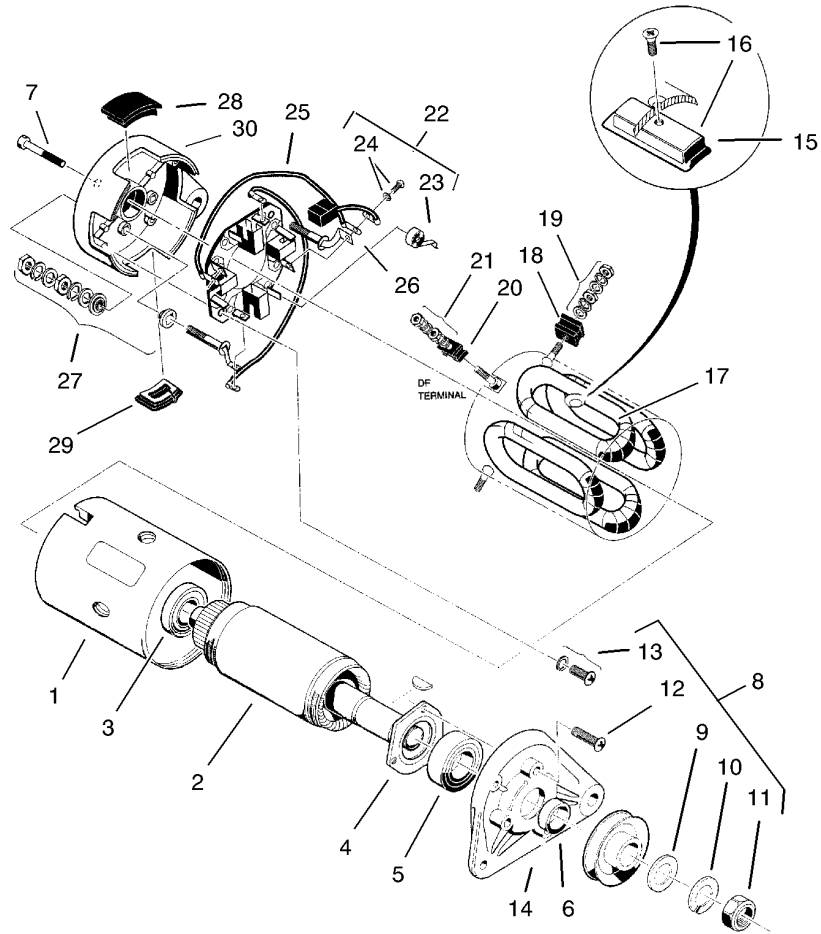
--	--	--	--



### Drive Clutch Assembly No. 99-7145

Ref	Part No.	Qty.	Description
2	104-1686	1	Spring
3	3234-26	3	Screw
4	104-1690	1	Cap
5	104-1697	1	Spider Roller Kit
6	104-1696	1	Arm-Cam
7	104-4256	1	Pivot Bolt And Nut Kit
8	104-1687	1	Spacer
9	104-1691	1	Cover
10	104-7011	1	Lubricant-Dry

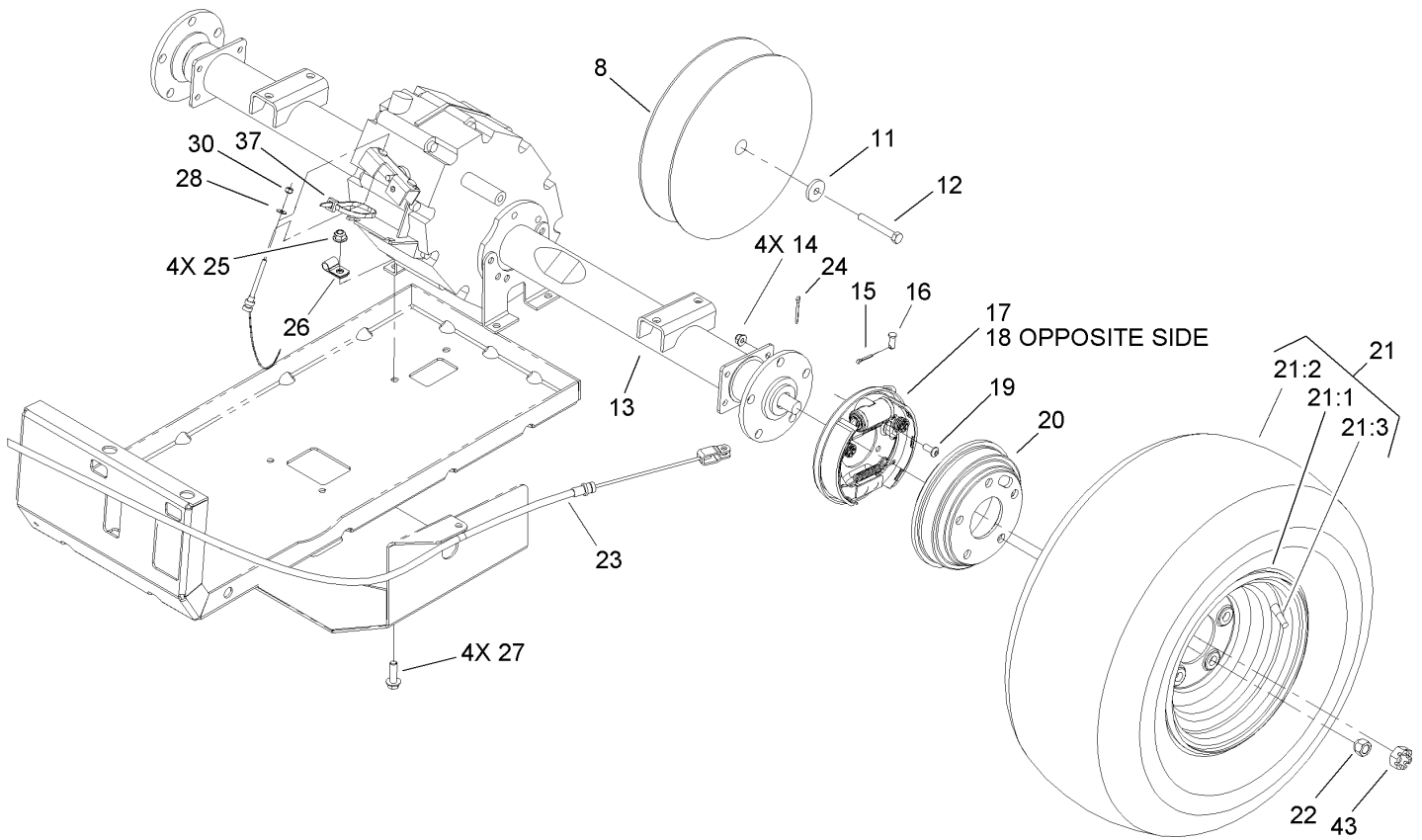
--	--	--	--



## Starter Generator Assembly No. 99-7108

Ref	Part No.	Qty.	Description
①		1	Yoke
2	104-1210	1	Armature Kit
3	104-1211	1	Bearing-Ball, Rear
4	104-1212	1	Retainer
5	104-1213	1	Bearing-Ball, Front
6	104-1214	1	Spacer
7	104-1215	2	Bolt
⑧		1	Nut & Screw Set
9	104-1216	1	Washer-Plain
10	104-1217	1	Washer-Spring
11	104-1218	1	Nut-Hex
⑫		3	Screw-Flange
13	104-1219	2	Set-Screw
14	104-1220	1	Bracket-Front
⑮		4	Pole
16	104-1221	1	Set-Pole & Screw
17	104-1222	1	Field Stator Coil ASM
⑮		2	F Mold
19	104-1223	2	Set-Screw
⑳		1	Df Mold
21	104-1224	1	Set-Screw
22	104-1225	1	Brush Holder Kit
23	104-1226	4	Spring-Brush
24	104-1227	1	Brush & Screw Set

Ref	Part No.	Qty.	Description
⑳		2	Brush Connector ASM
㉑		2	A Terminal ASM
27	104-1228	2	Screw & Mold ASM
㉓		1	Cover Set
㉔		1	Cover B
㉕		1	Bracket-Rear

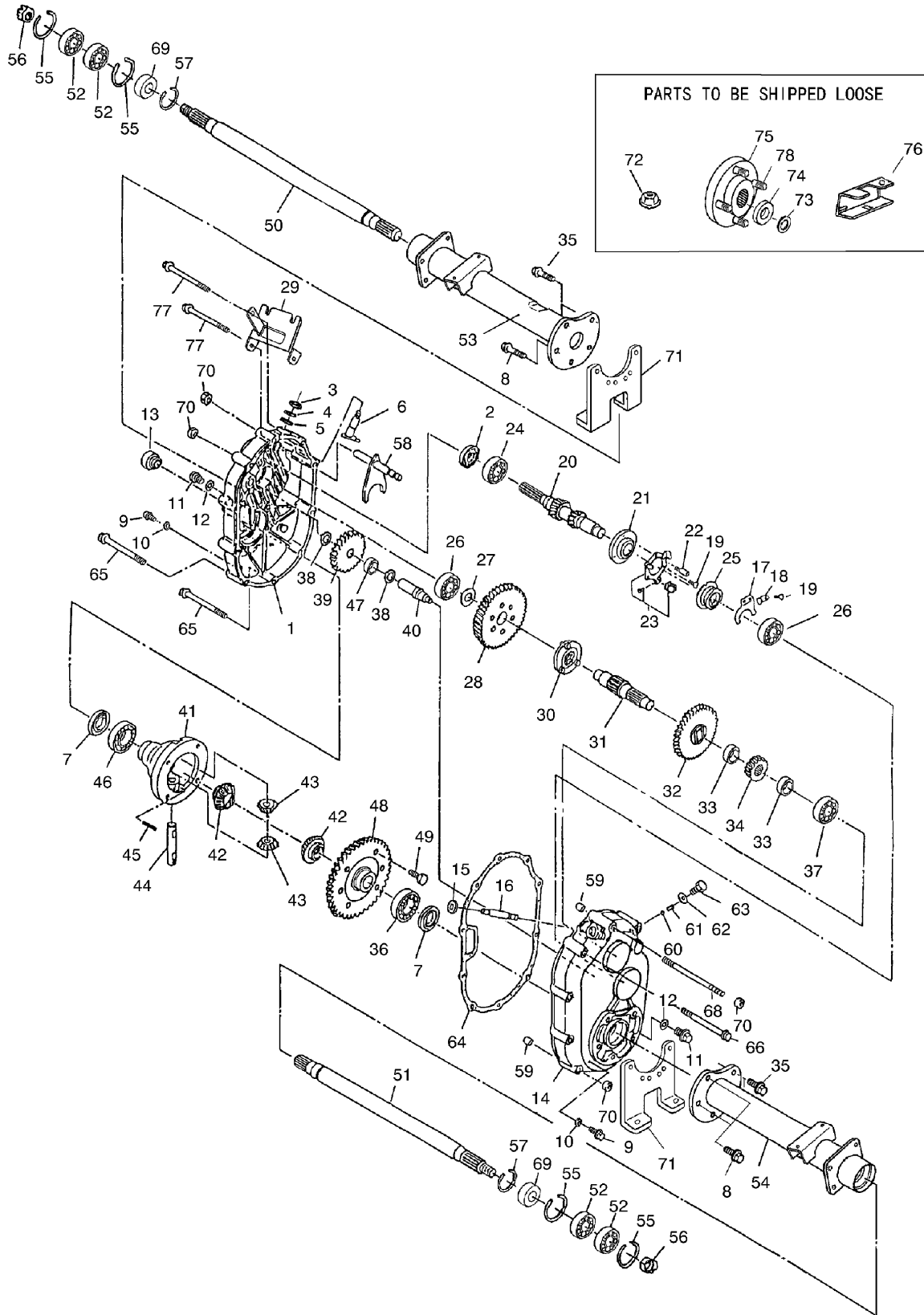


## Rear Tire and Transaxle Assembly

Ref	Part No.	Qty.	Description
8	99-7104	1	Clutch-Driven
11	104-6563	1	Washer-Stepped
12	104-6564	1	Screw-HH
13	107-0360	1	Transaxle
14	104-8300	8	Nut-Flange, NI
15	3272-10	2	Pin-Cotter
16	283-62	2	Pin-Clevis
17	104-6807	1	LH Brake ASM
18	104-6806	1	RH Brake ASM
19	3274-55	8	Screw-HSBH
20	104-6500	2	Drum-Brake
21	104-7282	2	Tire/wheel ASM
21:1	104-7279	1	Wheel
21:2	104-7281	1	Tire
21:3	232-27	1	Stem-Valve
22	242-50	10	Nut-Lug
23	104-6846	2	Cable-Brake, Park
24	3272-42	2	Pin-Cotter
25	104-8301	4	Nut-Flange, NI
26	2412-10	1	R-Clamp
27	3234-24	4	Screw-HHF
28	3256-49	2	Washer-Flat
30	3296-2	2	Nut-Lock
37	3290-378	1	Tie-Cable

Ref	Part No.	Qty.	Description
43	104-1656	2	Nut-Castle

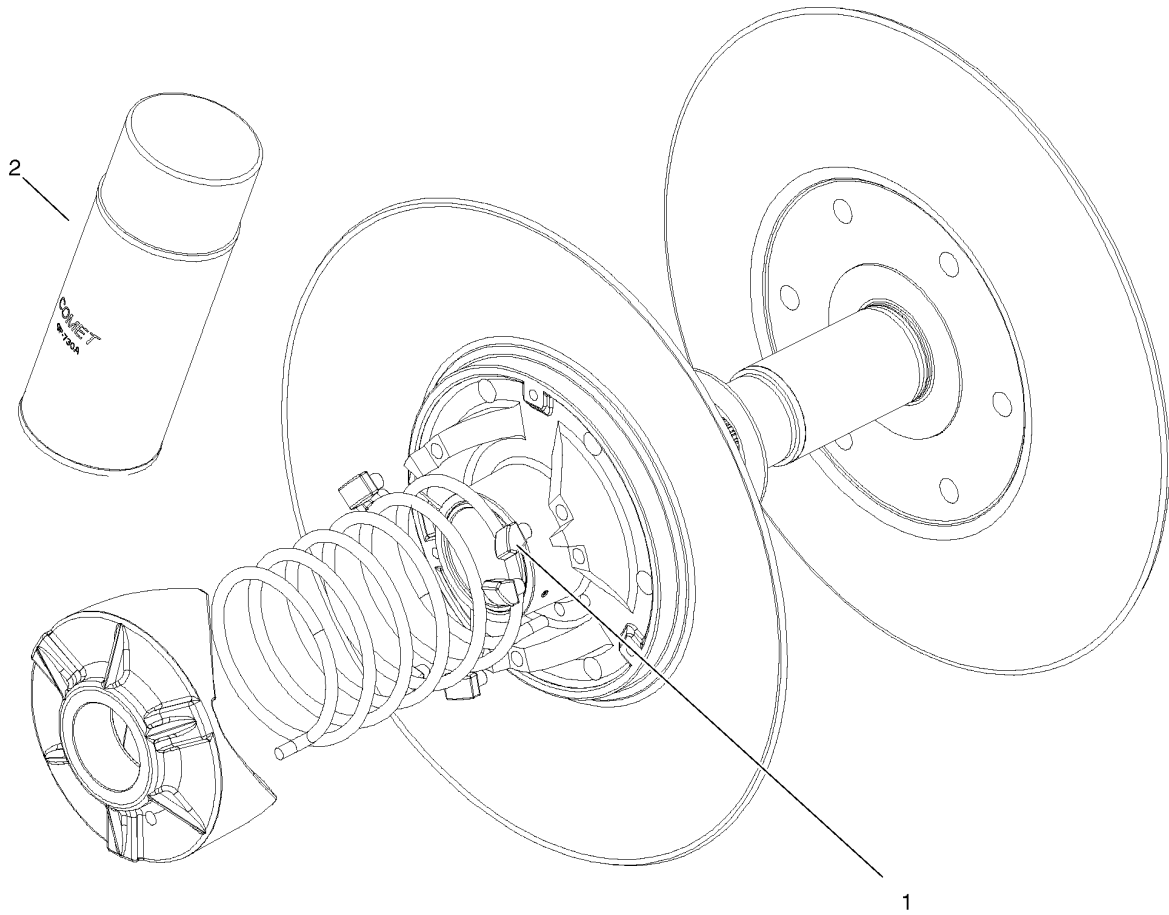
# Transaxle Assembly No. 107-0360



## Transaxle Assembly No. 107-0360

Ref	Part No.	Qty.	Description
1	104-1601	1	Case-Lh, Complete
2	104-1602	1	Seal-Oil
3	104-1603	1	Seal-Oil
4	104-1604	1	Ring-Snap
5	104-1605	1	Spacer
6	104-1606	1	Shaft-Selector
7	104-1607	2	Seal-Oil
8	104-1608	4	Bolt-Flange
9	104-1609	2	Plug-Check, Oil
10	104-1610	2	Gasket
11	104-1611	2	Plug-Drain, Oil
12	104-1612	2	Gasket
13	104-1613	1	Plug-Filler, Oil
14	104-1614	1	Case-Complete, RH
15	104-1615	1	Seal-Oil
16	104-1616	1	Shaft-Governor
17	104-1617	1	Fork-Governor
18	104-1618	1	Stopper
19	104-1619	4	Screw And Washer ASM
20	104-7002	1	Shaft-Input, Complete
21	104-1621	1	Base-Governor
22	104-1622	1	Pin-Lock
23	104-1623	1	Unit-Plate, Governor
24	104-1624	1	Bearing-Ball
25	104-1625	1	Sleeve-Governor
26	104-1626	2	Bearing-Ball
27	104-1627	1	Spacer
28	104-1628	1	Gear
29	104-1629	1	Bracket-Wire, Change
30	104-1630	1	Clutch-Pin
31	104-1631	1	Shaft-Center
32	104-1632	1	Gear-47
33	104-1633	2	Collar
34	104-1634	1	Gear
35	104-1635	6	Bolt-Flange
36	104-1636	1	Bearing-Ball
37	104-1637	1	Bearing-Ball
38	104-1638	2	Spacer
39	104-1639	1	Gear-34
40	104-1640	1	Shaft-Counter
41	104-1641	1	Case-Differential
42	104-1642	2	Gear-Side, Differential
43	104-1643	2	Pinion-Differential
44	104-1644	1	Shaft-Differential
45	104-1645	1	Pin
46	104-1646	1	Bearing-Ball
47	104-1647	1	Bearing-Needle
48	104-1648	1	Gear-62
49	104-1649	6	Bolt
50	104-1650	1	Shaft-Axle, LH
51	104-1651	1	Shaft-Axle, RH
52	104-1652	4	Bearing-Ball

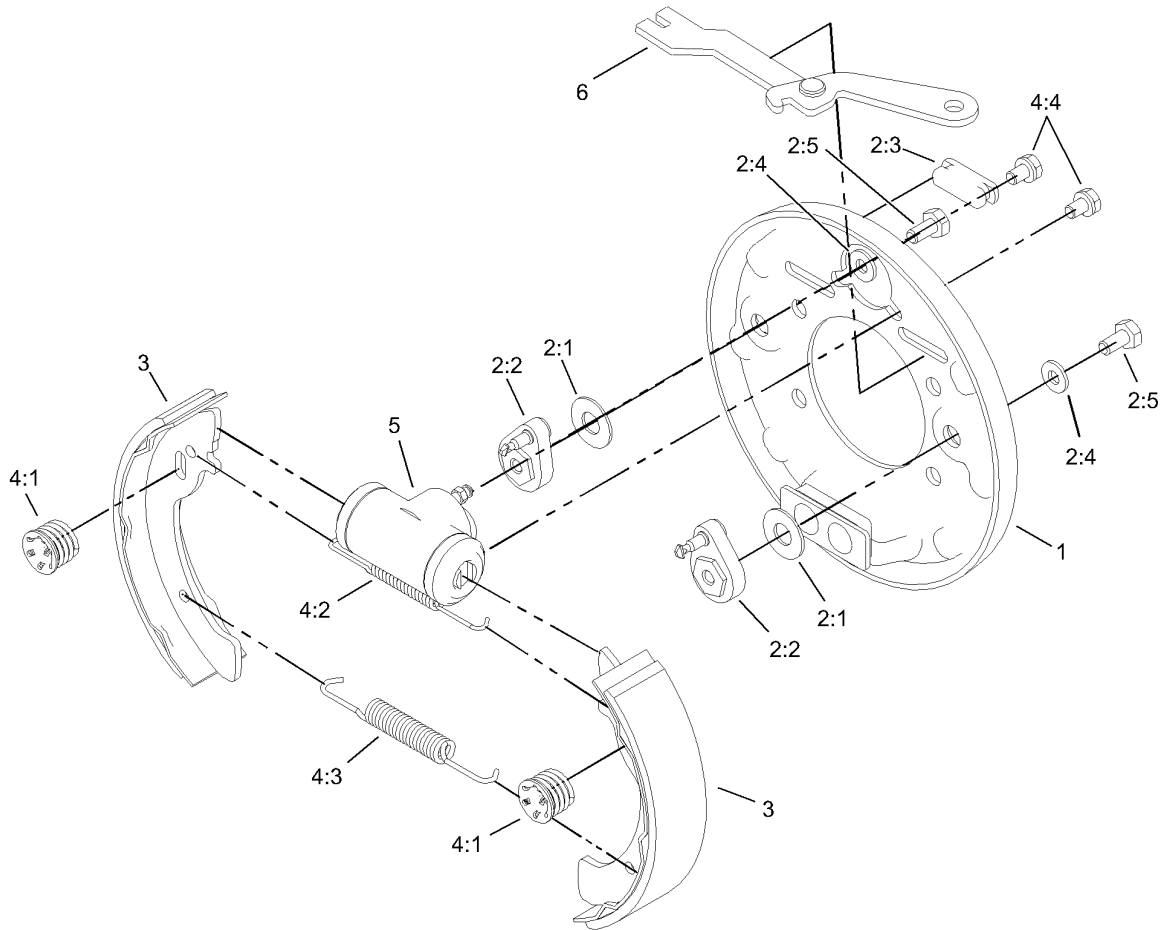
Ref	Part No.	Qty.	Description
53	104-1653	1	Case-Axle, LH
54	104-1654	1	Case-Axle, RH
55	104-1655	4	Ring-Snap
56	104-1656	2	Nut-Castle
60	104-1660	1	Ball-Steel
57	104-1657	2	Ring-Snap
58	104-6870	1	Shaft-Shift, Complete
59	104-1659	2	Knock-Pipe
60	104-1660	1	Ball-Steel
61	104-1661	1	Spring
62	104-1662	1	Gasket
63	104-1663	1	Bolt
64	104-1664	1	Gasket
65	104-1665	6	Bolt-Flange
66	104-1666	1	Bolt-Flange
68	104-6866	1	Bolt
69	104-6867	2	Collar
70	33004-00	11	Nut-HF
71	104-1671	2	Bracket-Axle
72	104-1672	1	Nut-Lock
73	104-1673	2	Washer-Spring
74	104-1674	2	Washer
75	104-1675	2	Hub
76	104-6860	1	Lever-Select
77	104-6869	2	Bolt-Flange
78	104-8649	10	Stud



### Driven Clutch Assembly No. 99-7104

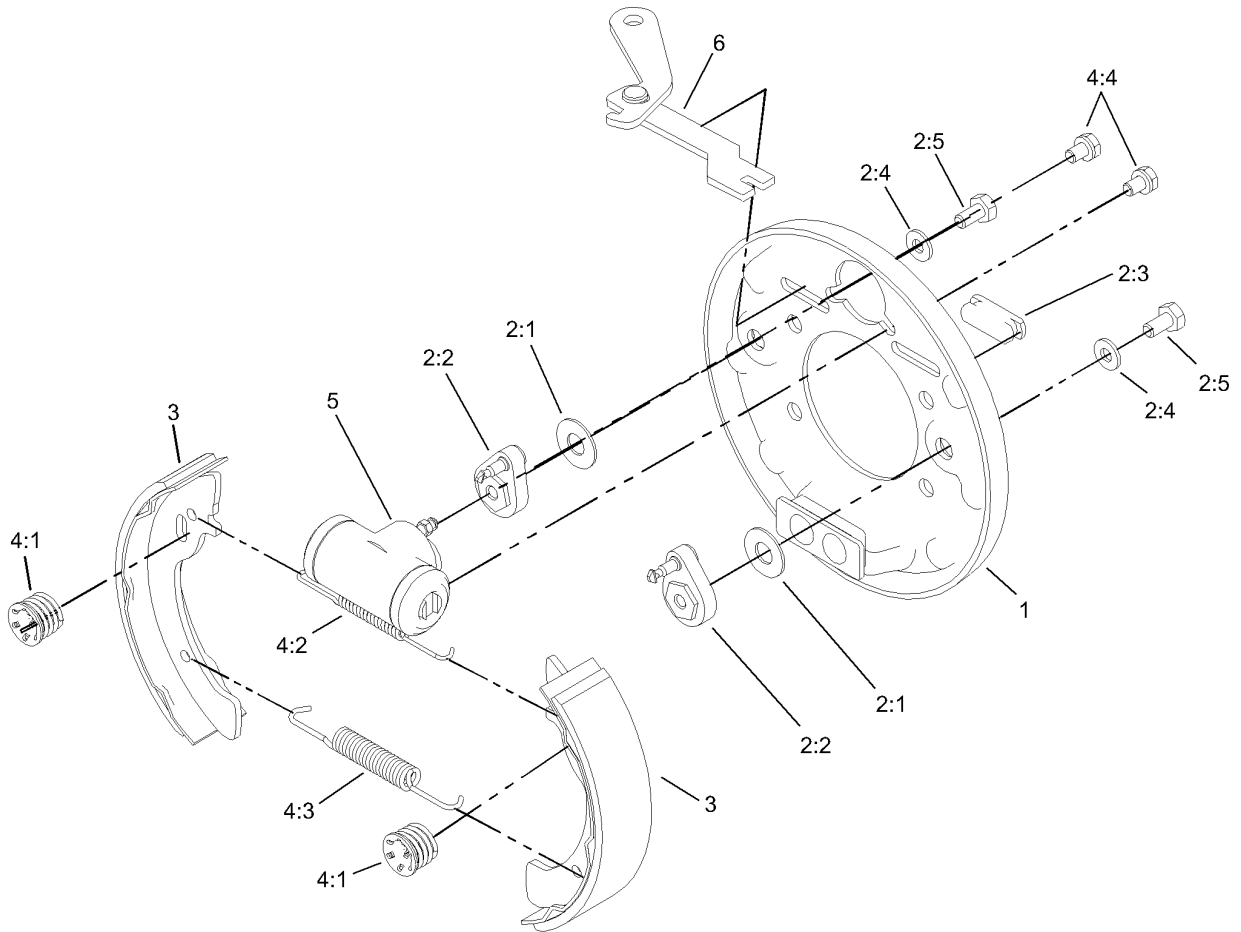
Ref	Part No.	Qty.	Description
1	104-4257	1	Button Kit
2	104-7011	1	Lubricant-Dry



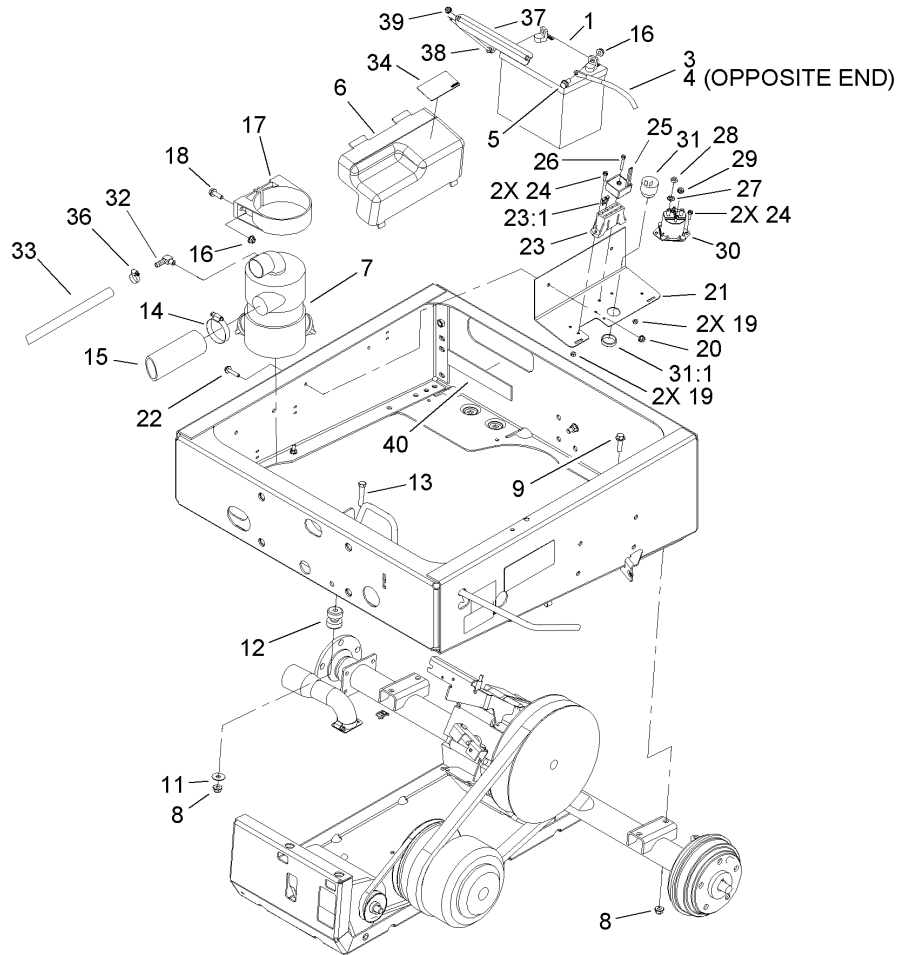
## Left Hand Brake Assembly No. 104-6807

Ref	Part No.	Qty.	Description				
1	100-8586	1	Backing Plate ASM				
2	104-6820	1	Adjuster Kit				
2:1	100-8585	2	Washer-Bellville				
2:2	100-8588	2	Adjuster Lever ASM				
2:3	100-8584	2	Cover-Dust				
2:4		2	Washer				
2:5		2	Bolt				
3	104-6818	4	Shoe & Lining Kit				
4	104-6819	1	Hardware Kit				
4:1	100-8583	2	Shoe Hold Down Spring ASM				
4:2	100-8581	2	Spring-Upper				
4:3	100-8582	2	Spring-Lower				
4:4		2	Bolt & Washer				
5	104-6824	1	Wheel Cylinder ASM				
6	104-6825	1	LH Park Brake Lever ASM				



## Right Hand Brake Assembly No. 104-6806

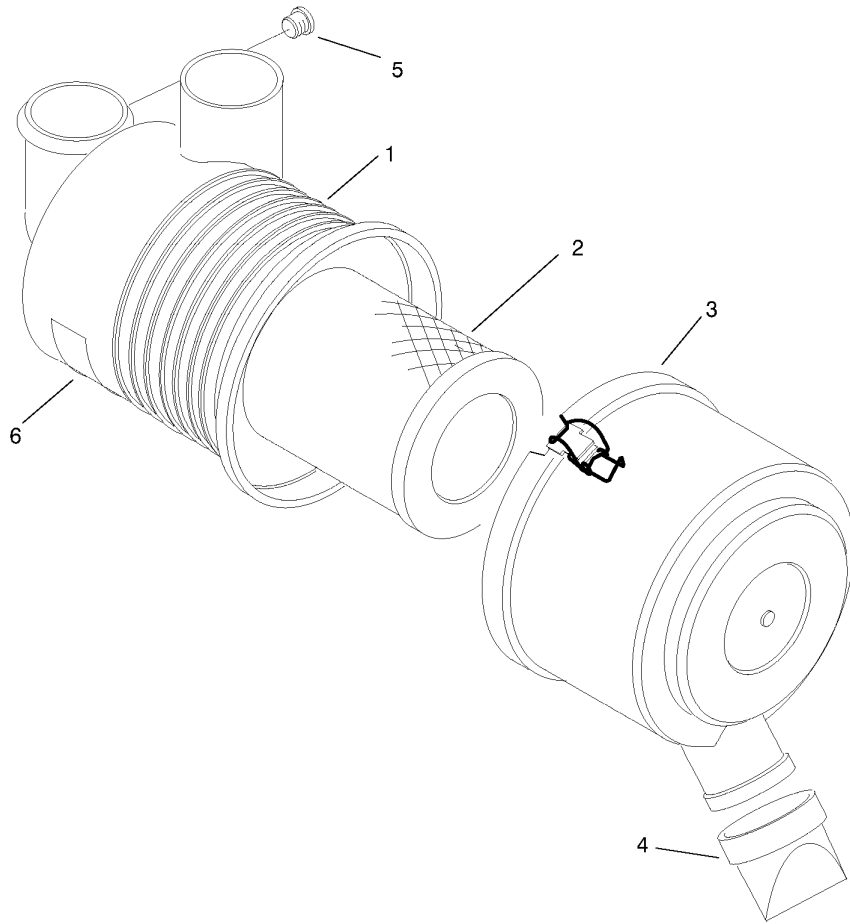
Ref	Part No.	Qty.	Description	
1	100-8586	1	Backing Plate ASM	
2	104-6820	1	Adjuster Kit	
2:1	100-8585	2	Washer-Bellville	
2:2	100-8588	2	Adjuster Lever ASM	
2:3	100-8584	2	Cover-Dust	
2:4		2	Washer	
2:5		2	Bolt	
3	104-6818	4	Shoe & Lining Kit	
4	104-6819	1	Hardware Kit	
4:1	100-8583	2	Shoe Hold Down Spring ASM	
4:2	100-8581	2	Spring-Upper	
4:3	100-8582	2	Spring-Lower	
4:4		2	Bolt & Washer	
5	104-6824	1	Wheel Cylinder ASM	
6	104-6826	1	RH Park Brake Lever ASM	



## Drivetrain Mount Assembly

Ref	Part No.	Qty.	Description
1	104-8162	1	Battery (Dry)
3	99-7415	1	Cable-Negative
4	99-7404	1	Cable-Positive
5	3234-5	2	Screw
6	99-7325	1	Cover-Electrical
7	99-7120	1	Filter-Air
8	104-8301	6	Nut-Flange, NI
9	3234-24	4	Screw-HHF
11	3256-35	2	Washer-Flat
12	95-2596	2	Mount-Iso
13	323-10	2	Screw-HH
14	2412-130	1	Clamp-Hose
15	104-6528	1	Hose-Intake
16	104-8300	4	Nut-Flange, NI
17	95-5806	1	Bracket-Mounting
18	3234-17	2	Screw-HHF
19	3296-2	5	Nut-Lock
20	32128-32	2	Nut-HHF
21	99-7051-03	1	Mount-Component
22	3234-21	2	Screw-Cap
23	107-0669	1	Harness-Wire, Main
23:1	218-578	3	Fuse-10 Amp
23:2	100-4918	1	Diode
24	32105-13	4	Screw-SHH

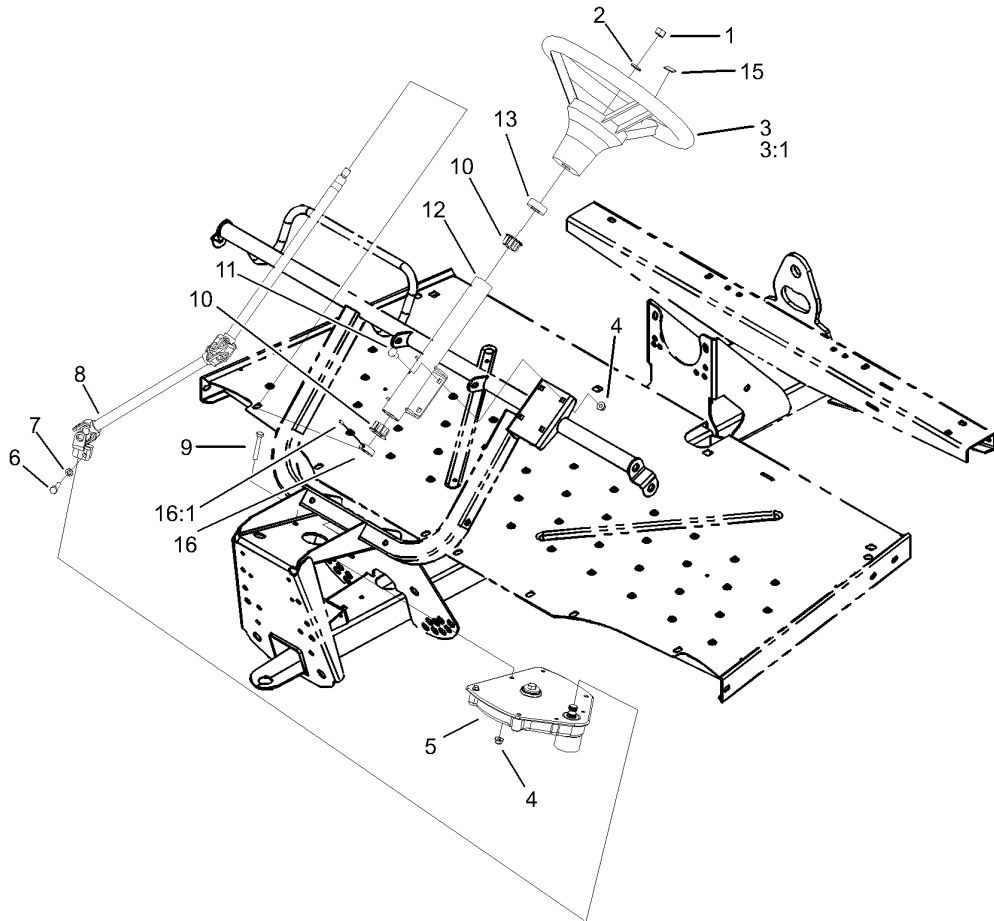
Ref	Part No.	Qty.	Description
25	104-6927	1	Regulator
26	32105-1	1	Screw-SHH
27	3255-8	2	Washer-Lock
28	3218-2	2	Nut-Jam
29	32149-8	2	Nut-Keps
30	99-7406	1	Solenoid
31	80-9330	1	Alarm-Audio
31:1	104-5107	1	Nut-Plastic, Knurled
32	99-7230	1	Fitting-90 DEG
33	99-7842	1	Hose-Breather
34	99-7352	1	Decal-Information
36	2412-36	2	Clamp-Hose
37	92-5018-03	1	Clamp-Battery
38	95-4042	2	Hook-Retain, Battery
39	104-7201	2	Nut-HF
40	104-7102	1	Pad-Battery



### Air Cleaner Assembly No. 99-7120

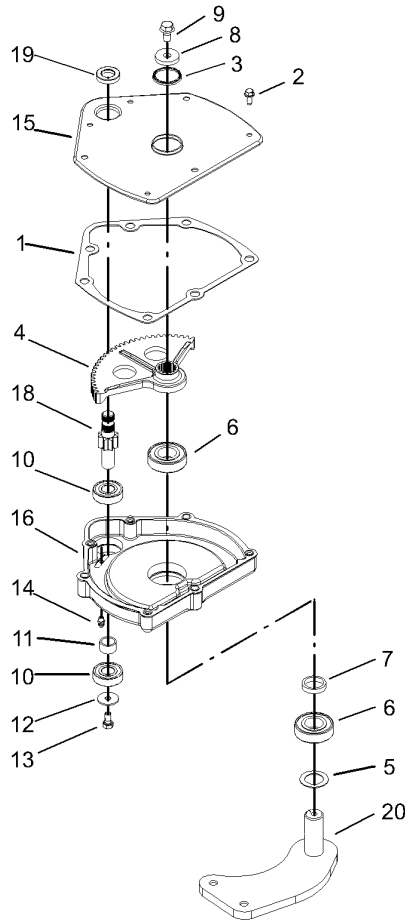
Ref	Part No.	Qty.	Description
②1		1	Body
2	93-2195	1	Filter
3	94-3652	1	Cover ASM
4	87-9400	1	Valve-Vacuator
②5		1	Plug
②6		1	Marking

--	--	--	--



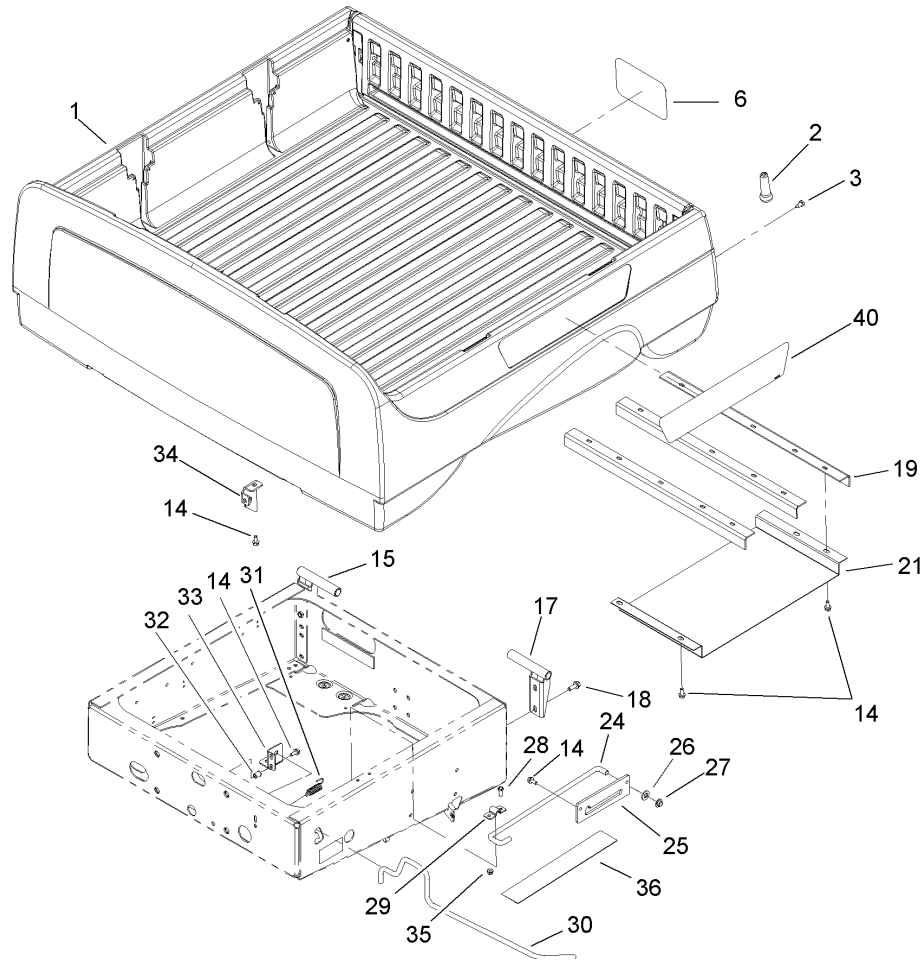
## Upper Steering Assembly

Ref	Part No.	Qty.	Description				
1	3277-1	1	Nut-Hex				
2	48-8070	1	Washer-Lock				
3	98-1471	1	Wheel-Steering				
3:1	98-1468	1	Cover-Wheel, Steering				
4	104-8300	7	Nut-Flange, NI				
5	99-7660	1	Steering Gearbox ASM				
6	48-7730	1	Screw-HH				
7	3253-4	1	Washer-Lock				
8	99-7653	1	Shaft-Steering				
9	322-10	3	Screw-HH				
10	93-1146	2	Bushing-Upper, Steering				
11	3230-1	4	Bolt-CARR				
12	99-7651-03	1	Column-Steering				
13	21-9260	1	Cover-Dust				
15	98-1459	1	Decal				
16	111383	1	Collar				
16:1	3245-32	1	Screw-HS				



## Steering Gearbox Assembly No. 99-7660

Ref	Part No.	Qty.	Description	
1	94-2135	1	Gasket	
2	32144-10	4	Screw-HWH	
3	103118	1	Seal	
4	99-7843	1	Sector-Gear	
5	3256-42	1	Washer-Flat	
6	251-82	2	Bearing-Ball	
7	94-2218	1	Spacer-Shaft, Output	
8	104-6563	1	Washer-Stepped	
9	104-7156	1	Screw-HHF	
10	38-7820	2	Bearing-Ball	
11	94-2217	1	Spacer-Shaft, Input	
12	3256-82	1	Washer-Flat	
13	98-3498	1	Screw-HH	
14	302-5	1	Fitting-Grease	
15	99-7656-03	1	Cover-Housing, Steering	
16	99-7658	1	Housing-Steering	
18	99-7650	1	Gear-Pinion	
19	99-7657	1	Seal-Oil	
20	99-7601-03	1	Arm-Pitman	

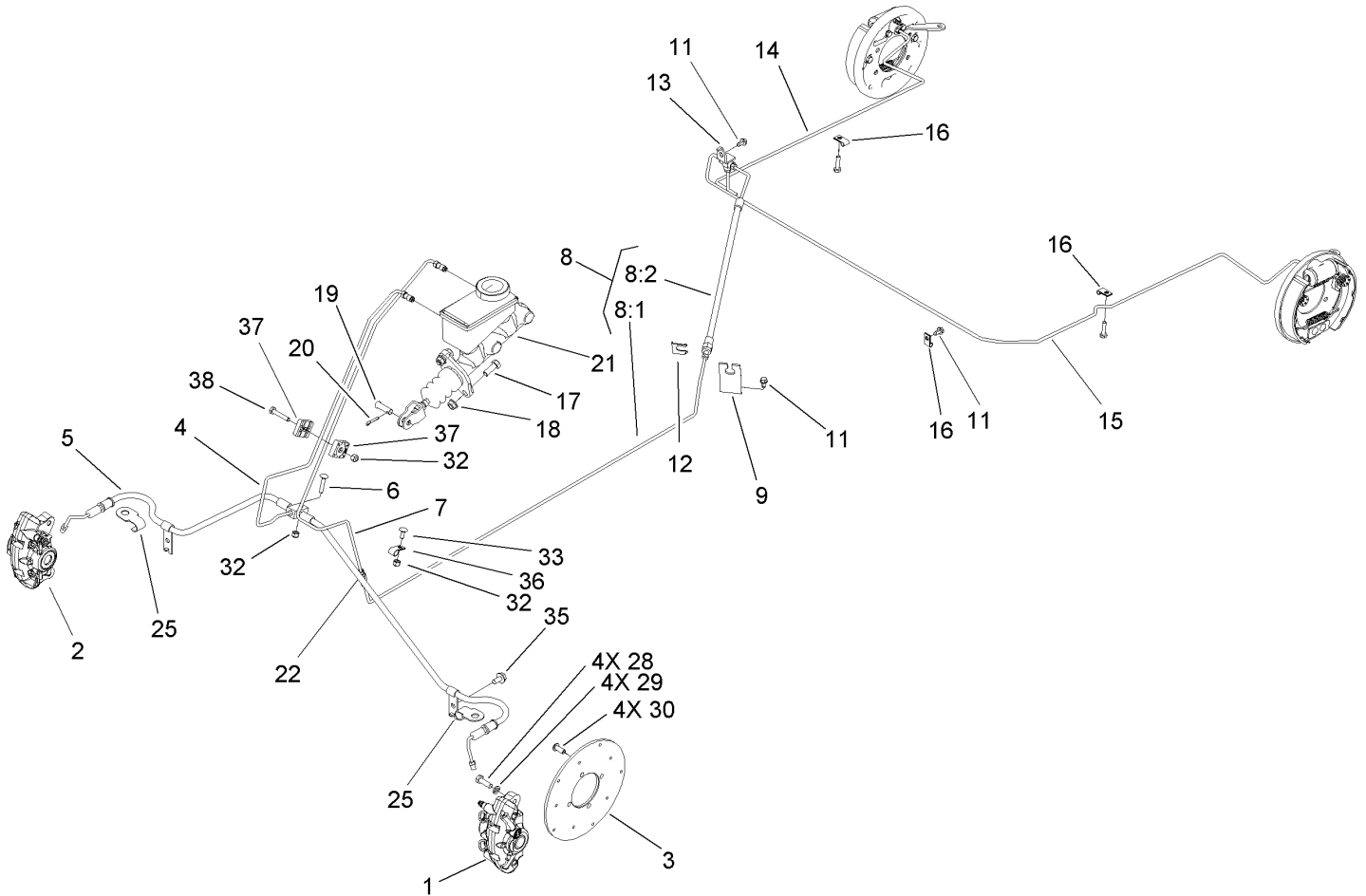


## Box Assembly

Ref	Part No.	Qty.	Description
1		1	Box And Tailgate ASM
2	99-7984	2	Knob-Soft Grip, Push-On
3	87-8460	2	Bumper-Rubber
6	104-7213	1	Decal
14	3234-5	18	Screw
15	99-7309-03	1	RH Pivot Bracket ASM
17	99-7308-03	1	LH Pivot Bracket ASM
18	3234-11	4	Screw-HHF
19	99-7864-03	3	Brace-Box
21	99-7870	1	Shield-Heat
24	99-7895	1	Rod-Prop
25	99-7894	1	Bracket-Rod, Prop
26	3256-26	1	Washer-Flat
27	32112-14	1	Nut-Push
28	3234-17	2	Screw-HHF
29	99-7896	1	Bracket-U, Prop Rod
30	99-7745	1	Rod-Latch
31	5-7290	1	Spring-Tension
32	32148-7	2	Insert-Nut
33	99-7744-03	1	Bracket-Latch
34	99-7742-03	1	Hook-Latch, RH
35	104-8300	1	Nut-Flange, NI
36	104-6859	1	Shield-Heat
40	104-7265	2	Decal



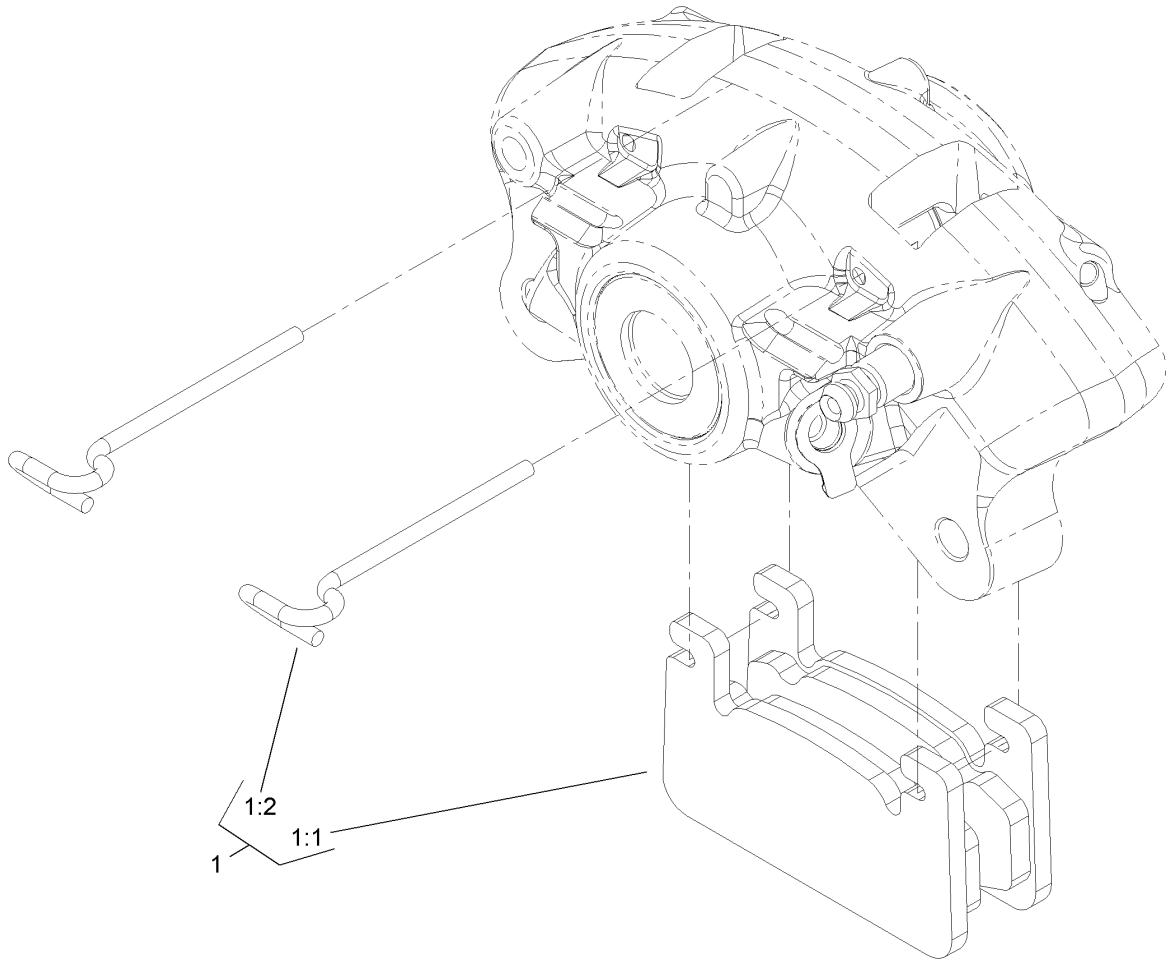


## Hydraulic Brake Assembly

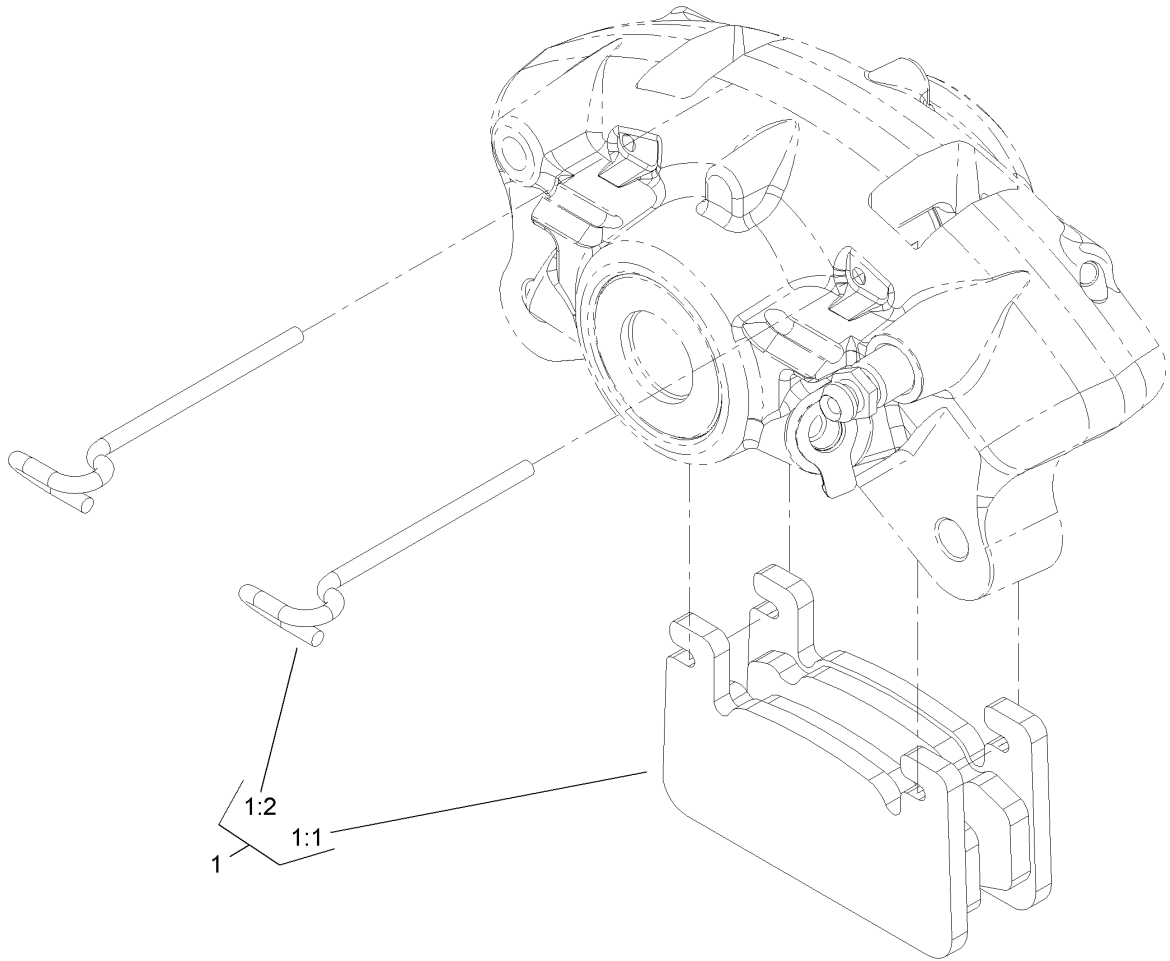
Ref	Part No.	Qty.	Description
1	107-0361	1	Caliper, LH
2	107-0362	1	Caliper, RH
3	104-6891	2	Rotor
4	104-6798	1	Tube-Front, Brake
5	104-7256	1	Hose Asm, Front
6	3229-3	1	Screw-CARR
7	104-6793	1	Tube-Brake, Rear
8		1	Complete Rear Brake Hose ASM
8:1	104-6794	1	Tube-Brake, Rear
8:2	104-6795	1	Hose-Brake, Rear
9	104-6799	1	Bracket-Hose, Brake
11	12-3270	3	Screw
12	104-7092	1	Clip
13	87-3560	1	Tee
14	104-6796	1	Tube-Brake Rear, RH
15	104-6797	1	Tube-Brake Rear, LH
16	2412-72	3	Clip-Closed, Insulated
17	323-6	2	Screw-HH
18	3290-357	2	Nut-HHF
19	283-2	1	Pin-Clevis
20	3272-10	1	Pin-Cotter
21	104-6782	1	Cylinder-Master
22	87-3570	1	Union
25	104-7073	2	Bracket-Hose

Ref	Part No.	Qty.	Description
28	323-6	4	Screw-HH
29	3253-21	4	Washer-Lock
30	3274-55	8	Screw-HSBH
32	3296-42	3	Nut-Lock, NI
33	3229-11	1	Screw-CARR
35	32144-14	2	Screw-HWH
36	2412-89	1	Clamp
37	87-7660	2	Clamp-Tube
38	321-9	1	Screw-HH



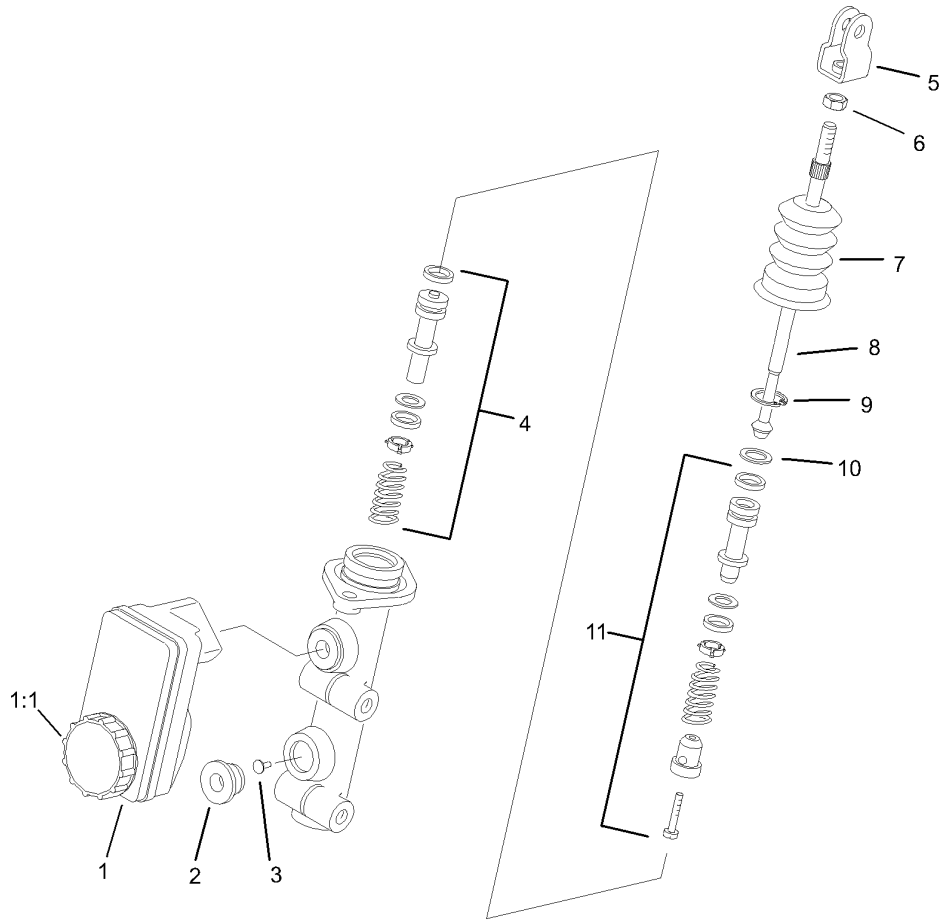
### Left Hand Caliper Assembly No. 107-0361

Ref	Part No.	Qty.	Description				
1	107-0708	1	Friction Pad And Pin Kit				
② 1:1		2	Brake Pad ASM				
② 1:2		2	Pin				



### Right Hand Caliper Assembly No. 107-0362

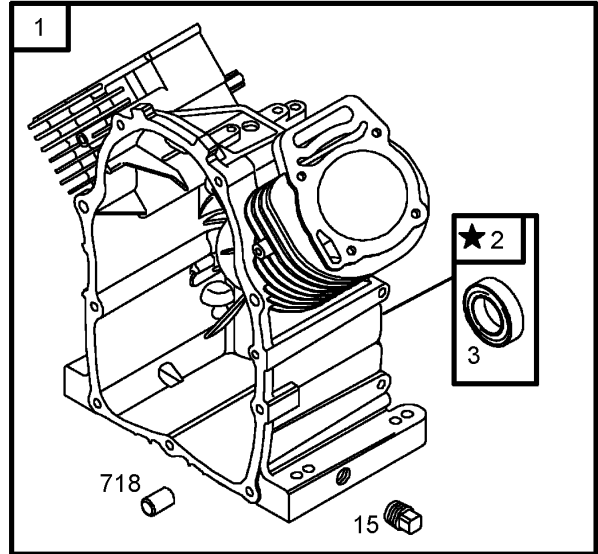
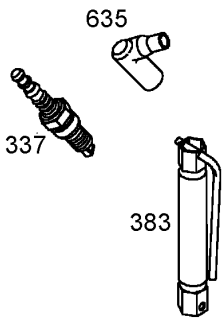
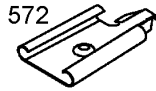
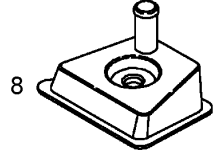
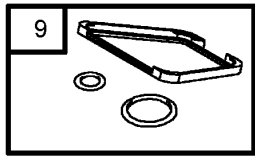
Ref	Part No.	Qty.	Description				
1	107-0708	1	Friction Pad And Pin Kit				
② 1:1		2	Brake Pad ASM				
② 1:2		2	Pin				



## Master Cylinder Assembly No. 104-6782

Ref	Part No.	Qty.	Description
1	104-6845	1	Reservoir ASM
1:1	92-4112	1	Cap ASM
2	93-8971	2	Seal-Port, Flange
3	92-4103	1	Pin-Stop
4	92-4102	1	Secondary Piston ASM
5	92-4110	1	Clevis
6	21-0360	1	Nut-Hex
7	94-5209	1	Cover-Dust
8	94-5210	1	Rod-Push
9	92-4109	1	Circlip
10	92-4108	1	Retainer-Washer
11	92-4101	1	Primary Piston ASM

--	--	--	--



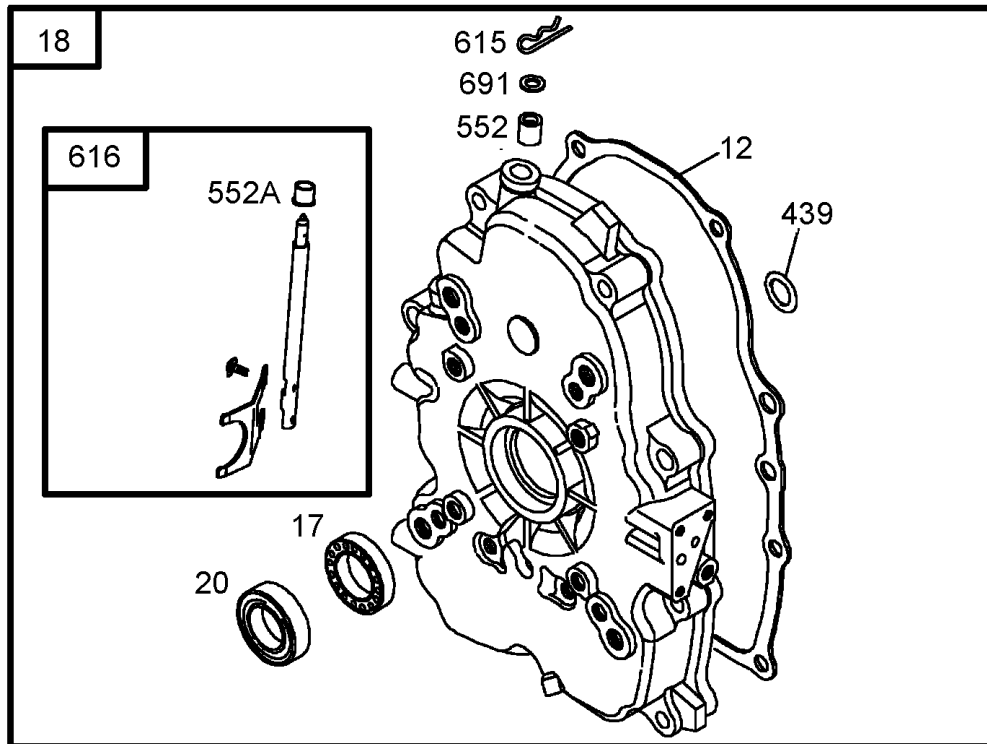
1019 LABEL KIT

Assemblies include all parts shown in frames.

## Cylinder Assembly Briggs and Stratton 303440-1326-E1

Ref	Part No.	Qty.	Description
①	692178	1	Cylinder ASM
②	808534	1	Bushing/seal Kit (Magneto Side)
③③	805101	1	Seal-oil (Magneto Side)
⑧	808984	1	Breather ASM
⑨⑨	809094	1	Gasket-breather
⑩	690751	1	Screw (Breather Asm)
⑮	690946	1	Plug-drain, Oil
③③⑦	496018	1	Plug-spark
③③③	19374	1	Wrench-plug, Spark
⑤⑦②	690686	1	Baffle-breather
⑥③⑤	692076	1	Boot-plug, Spark
⑦①⑧	690684	1	Pin-locating
⑩①⑨	808036	1	Label Kit

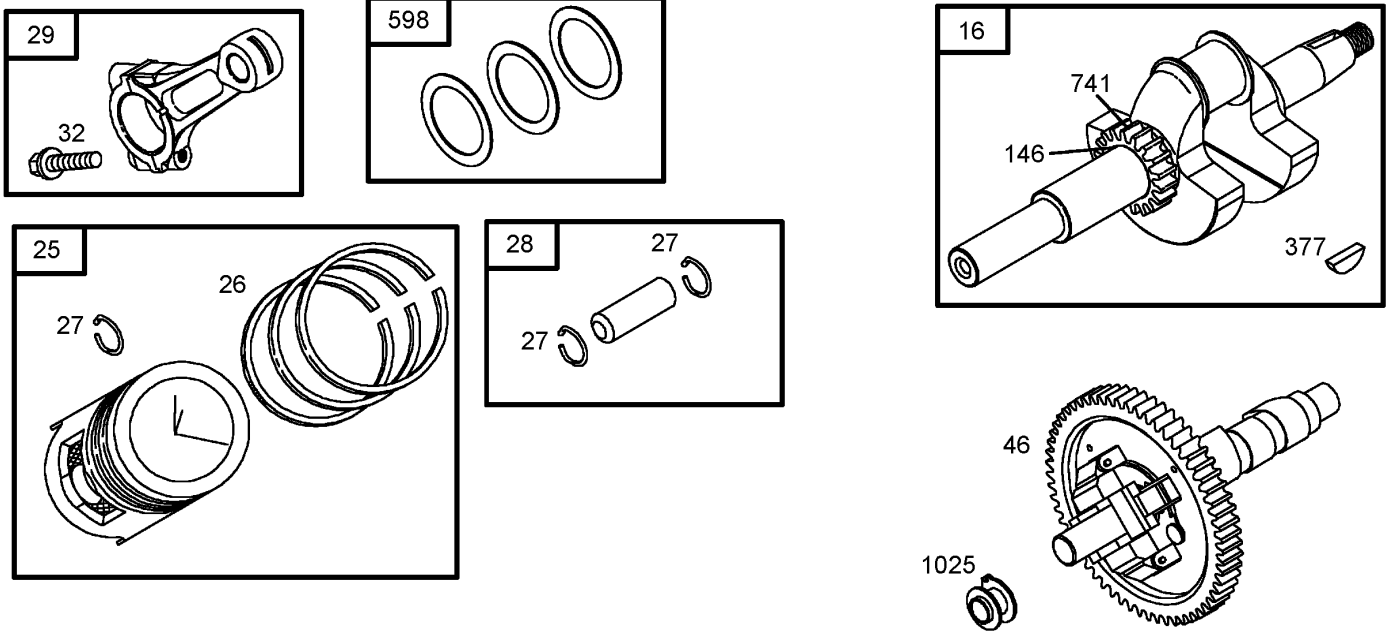
--	--	--	--



Assemblies include all parts shown in frames.

## Crankcase Assembly Briggs and Stratton 303440-1326-E1

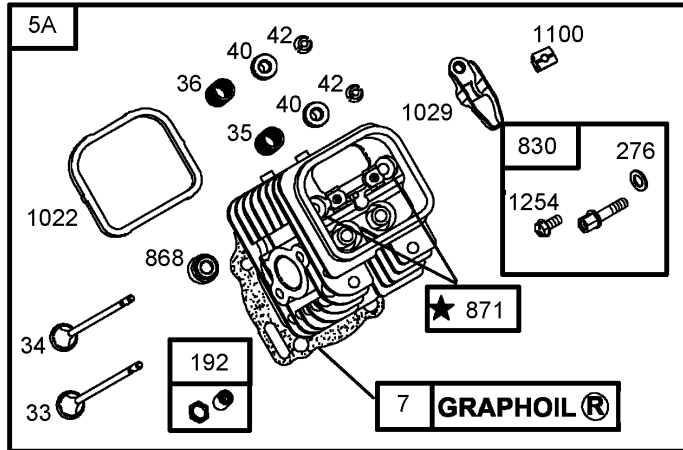
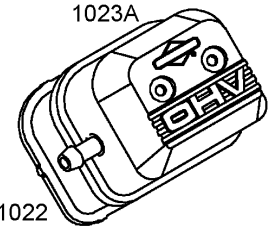
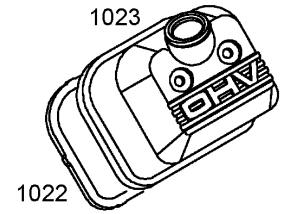
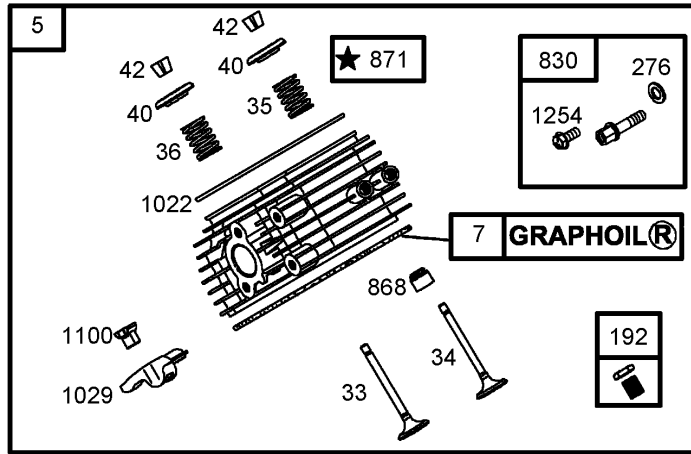
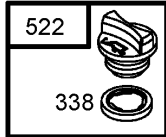
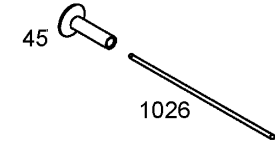
Ref	Part No.	Qty.	Description				
12	691684	1	Gasket—crankcase				
17	690752	1	Bearing—ball				
18	808847	1	Cover—crankcase				
20	805049	1	Seal—oil (Pto Side)				
22	692540	1	Screw (Crankcase Cover)				
276A	690704	1	Washer—sealing				
439	692154	1	Seal—o Ring (Crankcase Cover)				
552	690701	1	Bushing—crank, Governor				
552A	806686	1	Bushing—crank, Governor				
615	691550	1	Retainer—shaft, Governor				
616	806685	1	Crank—governor				
691	690680	1	Seal—shaft, Governor				



Assemblies include all parts shown in frames.

## Crankshaft Assembly Briggs and Stratton 303440-1326-E1

Ref	Part No.	Qty.	Description
16	692163	1	Crankshaft
25	807619	1	Piston ASM (Standard)
25	807807	1	Piston ASM (.010 Oversize)
25	807809	1	Piston ASM (.020 Oversize)
25	807811	1	Piston ASM (.030 Oversize)
26	807620	1	Ring Set (Standard)
26	807808	1	Ring Set (.010 Oversize)
26	807810	1	Ring Set (.020 Oversize)
26	807812	1	Ring Set (.030 Oversize)
27	690683	1	Lock-pin, Piston
28	807621	1	Pin-piston
29	807900	1	Rod-connecting (Standard)
29	807809	1	Piston ASM (.020 Oversize)
32	690698	1	Screw (Connecting Rod)
46	692157	1	Camshaft
146	691639	1	Key-timing
377	808095	1	Key-woodruff
598	807625	1	Shim-play, End
741	691530	1	Gear-timing
1025	690689	1	Spool-governor



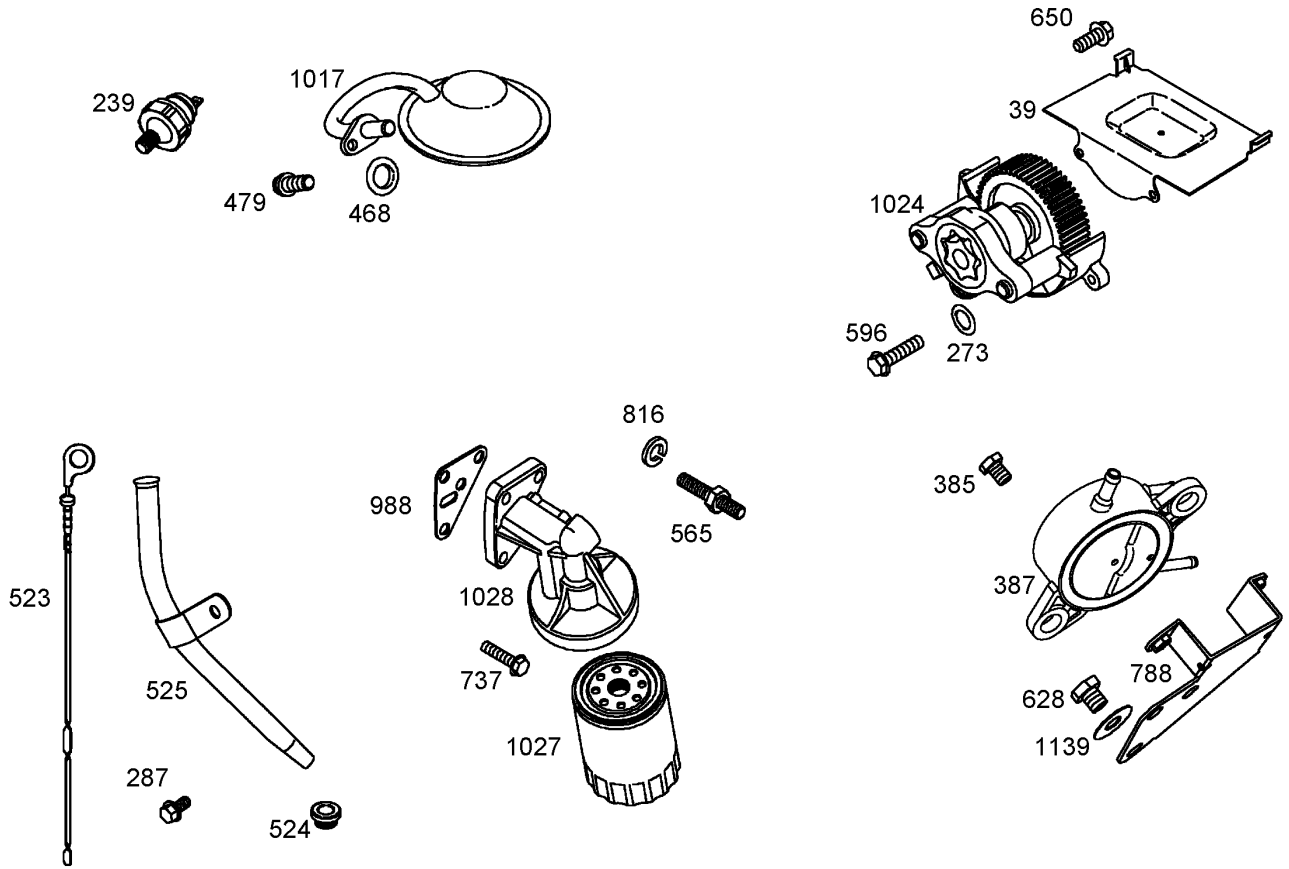
Assemblies include all parts shown in frames.

## Cylinder Head Assembly Briggs and Stratton 303440-1326-E1

Ref	Part No.	Qty.	Description
5	809200	1	Head-cylinder (Cylinder 1)
5A	809201	1	Head-cylinder (Cylinder 2)
47	806085	1	Gasket-head, Cylinder
6			
13	692059	1	Screw (Cylinder Head)
33	807681	1	Valve-exhaust
34	807680	1	Valve-intake
35	692084	1	Spring-valve (Intake)
36	692084	1	Spring-valve (Intake)
40	692058	1	Retainer-valve
42	807683	1	Keeper-valve
45	690977	1	Tappet-valve
192	807623	1	Adjuster-arm, Rocker
276	807085	1	Washer-sealing
4338	691312	1	Gasket-dipstick
6			
522	491832	1	Plug-dipstick/fill
830	809157	1	Stud-arm, Rocker
4868	691963	1	Seal-valve
6			
871	692057	1	Bushing-guide, Valve
41022	806039	1	Gasket-cover, Rocker
6			
1023	690758	1	Cover-valve
1023A	691558	1	Cover-valve

Ref	Part No.	Qty.	Description
1026	691836	1	Rod-push (Intake)
1026	691758	1	Rod-push (Exhaust)
1029	807323	1	Arm-rocker
1100	690973	1	Pivot-arm, Rocker
1254	807084	1	Screw (Rocker Arm Stud)



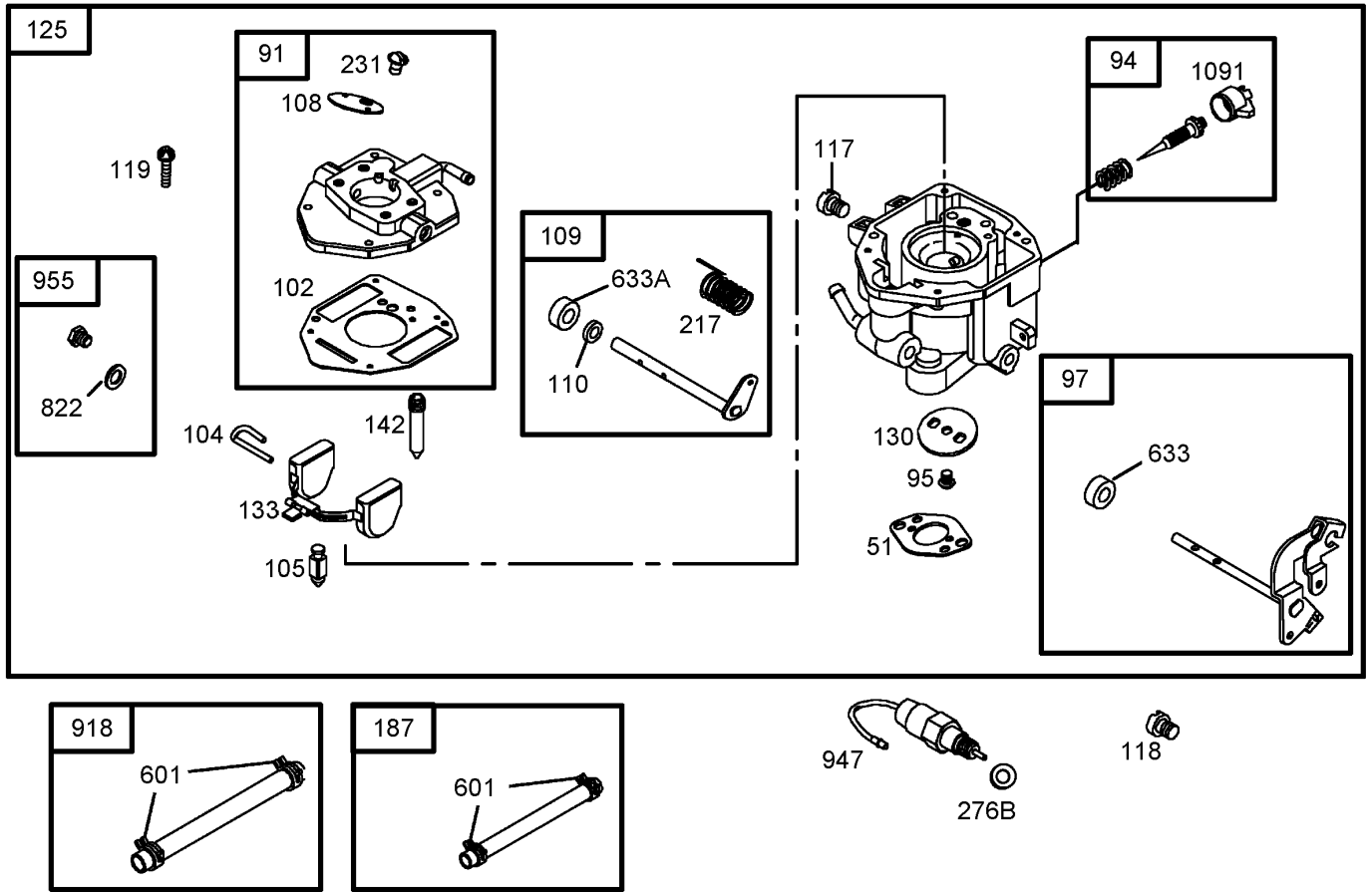


Assemblies include all parts shown in frames.

## Oil Filter, Tube and Pump Assembly Briggs and Stratton 303440-1326-E1

Ref	Part No.	Qty.	Description
③39	690745	1	Deflector-oil
③239	690233	1	Switch-pressure, Oil
③273	690681	1	Seal-o Ring (Oil Pump)
③287	692062	1	Screw (Dipstick Tube)
③385	807084	1	Screw (Rocker Arm Stud)
③387	808656	1	Pump-fuel
③④468	690690	1	Seal-o Ring (Oil Pump Screen)
③479	692537	1	Screw (Oil Pump Screen)
③523	693175	1	Dipstick
③④524	693172	1	Seal-tube, Dipstick
③525	693173	1	Tube-dipstick
③565	690682	1	Stud (Oil Filter Adapter)
③596	691492	1	Screw (Oil Pump)
③628	806660	1	Screw (Fuel Pump Bracket)
③650	692539	1	Screw (Cylinder Head Cover)
③737	690679	1	Screw (Oil Filter Adapter)
③788	691559	1	Bracket-pump, Fuel
③816	690706	1	Washer (Oil Filter Adapter)
③④988	692063	1	Gasket-adapter, Oil Filter
③1017	690900	1	Screen-pump, Oil
③1024	693185	1	Pump-oil
③1027	492932	1	Filter-oil
③1028	808235	1	Adapter-filter, Oil
③1139	806497	1	Washer (Fuel Pump Bracket)

--	--	--	--

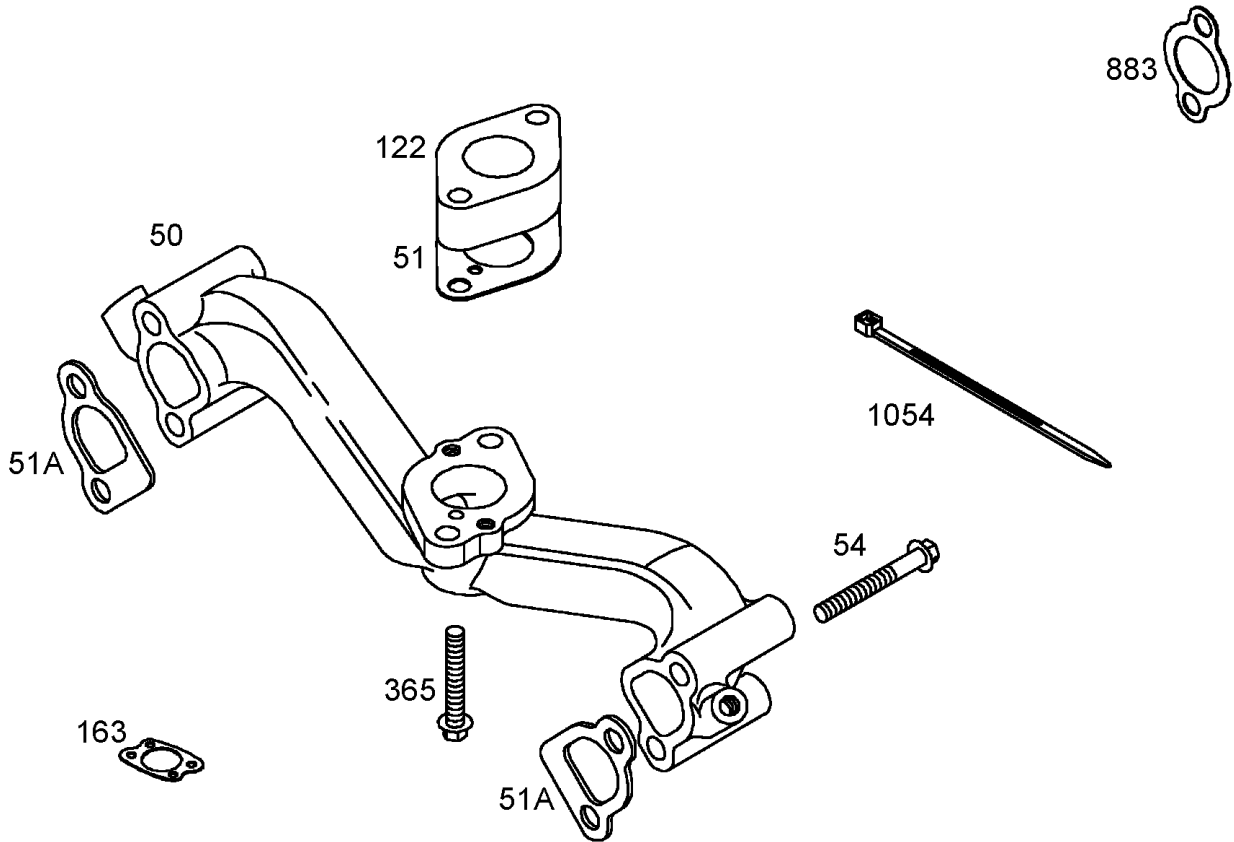


Assemblies include all parts shown in frames.

## Carburetor Assembly Briggs and Stratton 303440-1326-E1

Ref	Part No.	Qty.	Description
51	691694	1	Gasket-Intake
91	808964	1	Body-carburetor, Upper
94	808257	1	Idle Mixture Kit
95	690718	1	Screw (Throttle Valve)
97	841498	1	Shaft-throttle
102	692077	1	Gasket-body, Carburetor
104	690723	1	Pin-hinge, Float
105	692078	1	Valve-needle, Float
108	690719	1	Valve-choke
109	808962	1	Shaft-choke
110	806861	1	Washer (Choke Shaft)
117	806859	1	Jet-main
118	807115	1	Jet-main (High Altitude)
119	690720	1	Screw (Upper To Lower Body)
125	841494	1	Carburetor
130	690726	1	Valve-throttle
133	806961	1	Float-carburetor
142	806860	1	Nozzle-carburetor
187	691050	1	Line-fuel (Cut To Required Length)
217	806862	1	Spring-return, Choke
231	690718	1	Screw (Throttle Valve)
276B	806137	1	Washer-sealing
601	691038	1	Clamp-hose

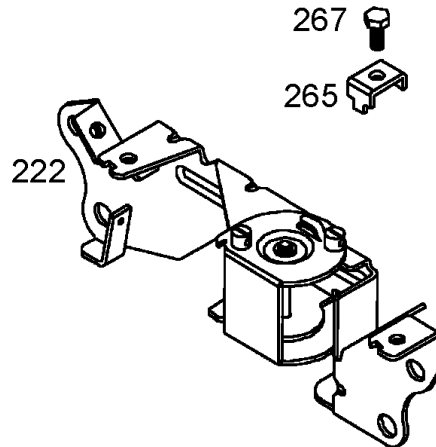
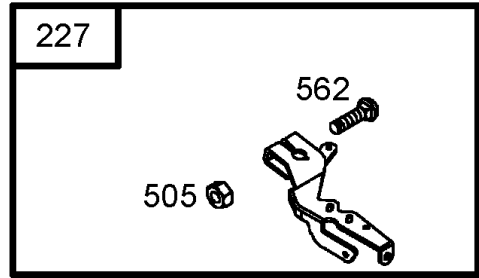
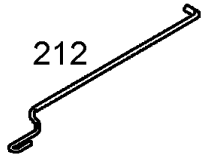
Ref	Part No.	Qty.	Description
633	806131	1	Seal-shaft, Choke/throttle
633A	690722	1	Seal-shaft, Choke/throttle
822	690724	1	Seal-o Ring (Carburetor Plug)
918	393815	1	Line-vacuum (Cut To Required Length)
947	692094	1	Solenoid-fuel
955	807723	1	Plug-carburetor
1091	691516	1	Cap-limiter



Assemblies include all parts shown in frames.

## Intake Manifold Assembly Briggs and Stratton 303440-1326-E1

Ref	Part No.	Qty.	Description				
⑤50	690754	1	Manifold-intake				
⑤⑤51	691694	1	Gasket-Intake				
⑤④51A	692035	1	Gasket-intake				
⑤54	690676	1	Screw (Intake Manifold)				
⑤122	690691	1	Spacer-carburetor				
⑤⑤163	692081	1	Gasket-cleaner, Air				
⑤365	690711	1	Screw (Carburetor)				
⑤④883	691613	1	Gasket-exhaust				
⑤1054	280275	1	Tie-cable				

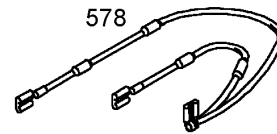
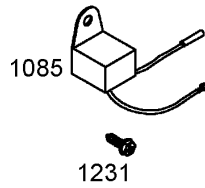
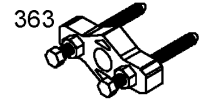
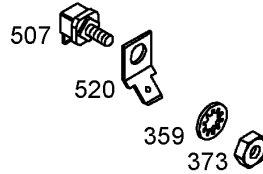
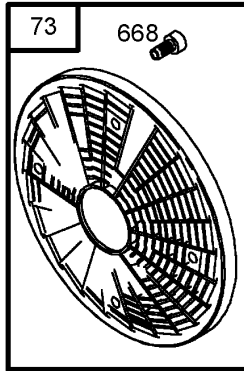
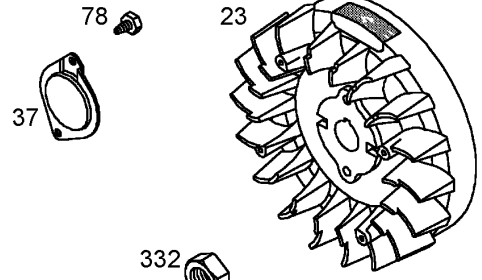
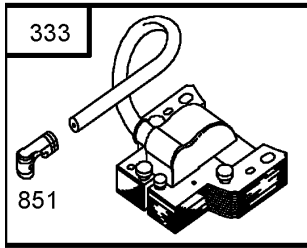


Assemblies include all parts shown in frames.

## Governor Assembly Briggs and Stratton 303440-1326-E1

Ref	Part No.	Qty.	Description
②09	691507	1	Spring-governor
②12	690712	1	Link-throttle
②22	691570	1	Bracket-control
②27	690236	1	Lever-control, Governor
②32	692073	1	Spring-link, Governor
②65	691024	1	Clamp-casing
②67	692083	1	Screw (Casing Clamp)
⑤05	690238	1	Nut (Governor Control Lever)
⑤62	690239	1	Bolt (Governor Control Lever)

--	--	--	--

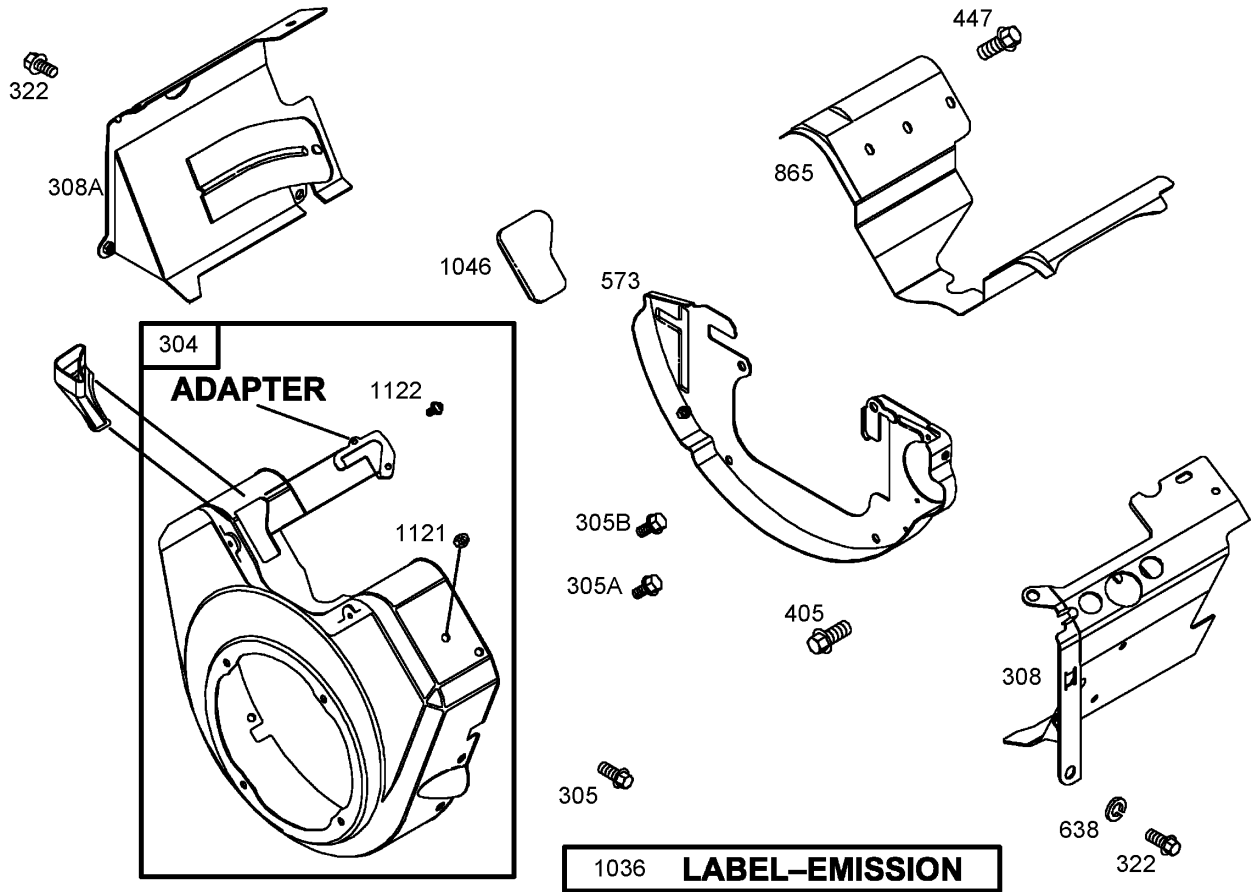


Assemblies include all parts shown in frames.

## Flywheel Assembly Briggs and Stratton 303440-1326-E1

Ref	Part No.	Qty.	Description
23	690889	1	Flywheel
37	841309	1	Guard-flywheel
73	494439	1	Screen-rotating
74	691647	1	Screw (Rotating Screen)
78	690688	1	Screw (Flywheel Guard)
332	690887	1	Nut (Flywheel)
333	492341	1	Armature-magneto
334	692066	1	Screw (Magneto Armature)
359	691077	1	Washer (Ground Terminal)
363	19203	1	Puller-flywheel
373	691612	1	Nut (Ground Terminal)
507	691972	1	Insulator
520	691084	1	Terminal-ground
529	690744	1	Grommet
578	692319	1	Wire ASM
668	691500	1	Spacer
729	690586	1	Clip-wire
851	493880	1	Terminal-sparkplug
1085	809093	1	Module-ignition
1231	692067	1	Screw (Ignition Module)

--	--	--	--

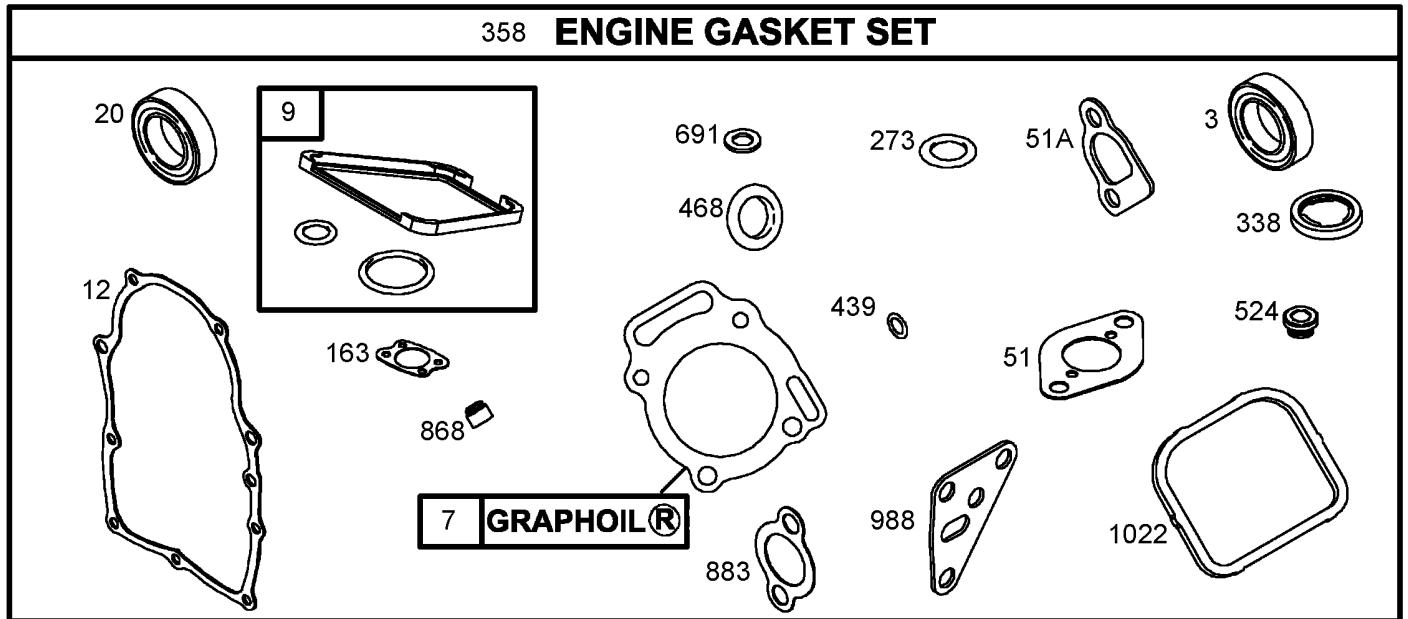


Assemblies include all parts shown in frames.

## Blower Housing Assembly Briggs and Stratton 303440-1326-E1

Ref	Part No.	Qty.	Description
304	808408	1	Housing—blower
305	692539	1	Screw (Cylinder Head Cover)
305A	692056	1	Screw (Blower Housing)
305B	692062	1	Screw (Dipstick Tube)
308	841232	1	Cover—head, Cylinder (Cylinder 1)
308A	841182	1	Cover—head, Cylinder (Cylinder 2)
322	692539	1	Screw (Cylinder Head Cover)
405	807163	1	Screw (Backplate)
447	692539	1	Screw (Cylinder Head Cover)
573	690902	1	Plate—back
638	691551	1	Washer (Cylinder Head Cover)
865	690750	1	Cover—guide, Air
1036	806881	1	Label—emission
1046	692082	1	Plug—housing, Blower
1121	810056	1	Nut (Air Cleaner)
1122	93410	1	Screw (Control Wire Casing)

--	--	--	--

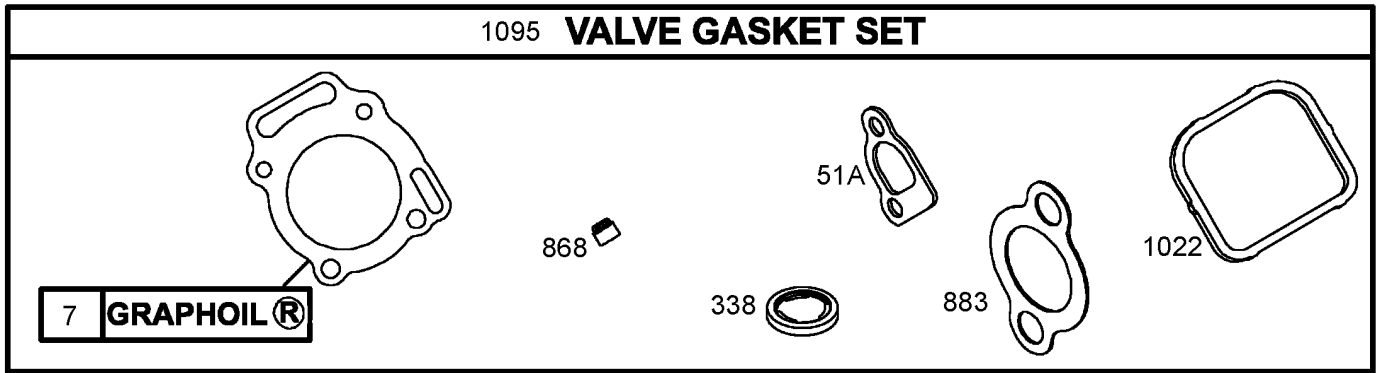


Assemblies include all parts shown in frames.

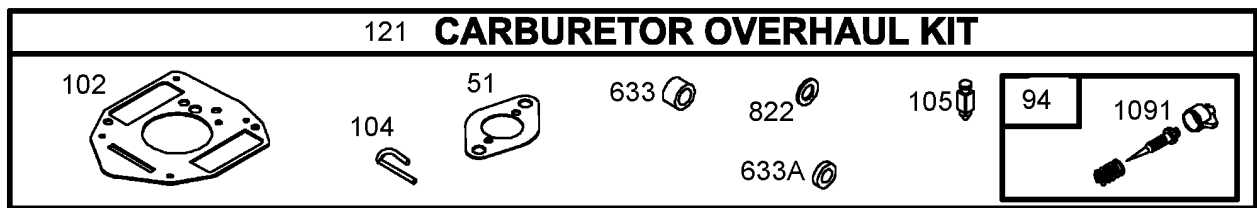
## Gasket Assembly Briggs and Stratton 303440-1326-E1

Ref	Part No.	Qty.	Description
3 6 3	805101	1	Seal-oil (Magneto Side)
3 4 7 6	806085	1	Gasket-head, Cylinder
3 6 9	809094	1	Gasket-breather
3 6 12	691684	1	Gasket-crankcase
3 6 20	805049	1	Seal-oil (Pto Side)
3 5 51 6	691694	1	Gasket-Intake
3 4 51A 6	692035	1	Gasket-intake
3 6 163	692081	1	Gasket-cleaner, Air
3 6 273	690681	1	Seal-o Ring (Oil Pump)
3 4 338 6	691312	1	Gasket-dipstick
3 358	808390	1	Engine Gasket Set
3 6 439	692154	1	Seal-o Ring (Crankcase Cover)
3 6 468	690690	1	Seal-o Ring (Oil Pump Screen)
3 6 524	693172	1	Seal-tube, Dipstick
3 6 691	690680	1	Seal-shaft, Governor
3 4 868 6	691963	1	Seal-valve
3 4 883 6	691613	1	Gasket-exhaust
3 6 988	692063	1	Gasket-adapter, Oil Filter
3 4 1022 6	806039	1	Gasket-cover, Rocker

--	--	--	--



7 **GRAPHOIL®**



Assemblies include all parts shown in frames.

## Carburetor Overhaul Kit Assembly Briggs and Stratton 303440-1326-E1

Ref	Part No.	Qty.	Description
④⑦ ⑥	806085	1	Gasket-head, Cylinder
④⑤① ⑥	691694	1	Gasket-Intake
④④⑤①A ⑥	692035	1	Gasket-intake
⑤⑥⑨④	808257	1	Idle Mixture Kit
⑤⑥①② ⑥①④	692077	1	Gasket-body, Carburetor
⑥①④	690723	1	Pin-hinge, Float
⑤⑥①⑤ ⑥①②	692078	1	Valve-needle, Float
⑥①②	809023	1	Carburetor Overhaul Kit
④④③③⑧ ⑥	691312	1	Gasket-dipstick
⑤⑥⑥③③	806131	1	Seal-shaft, Choke/throttle
⑤⑥⑥③③A	690722	1	Seal-shaft, Choke/throttle
⑤⑥⑧②②	690724	1	Seal-o Ring (Carburetor Plug)
④④⑧⑥⑧ ⑥	691963	1	Seal-valve
④④⑧⑧③ ⑥	691613	1	Gasket-exhaust
④④①②②② ⑥	806039	1	Gasket-cover, Rocker
⑤⑥⑥①②① ⑥①②⑤	691516	1	Cap-limiter
⑥①②⑤	808392	1	Valve Gasket Set

--	--	--	--	--



## NOTES

## NOTES

## NOTES

