



# Recycler<sup>®</sup> Kit

## 38in Mowers for TimeCutter<sup>™</sup> Z Riding Mowers

Model No. 79217

## Parts Catalog

---

### Ordering Replacement Parts

To order replacement parts, please supply the part number, the quantity, and the description of each part desired.

### Understanding Reference Numbers

Each Identified part in an illustration has a reference number. The reference number for a part also appears in the parts list, along with other information about the part.

This catalog uses two special reference number formats, one to indicate parts in a service assembly and another to indicate the quantity of a given part in an illustration.

### Service Assembly Reference Numbers

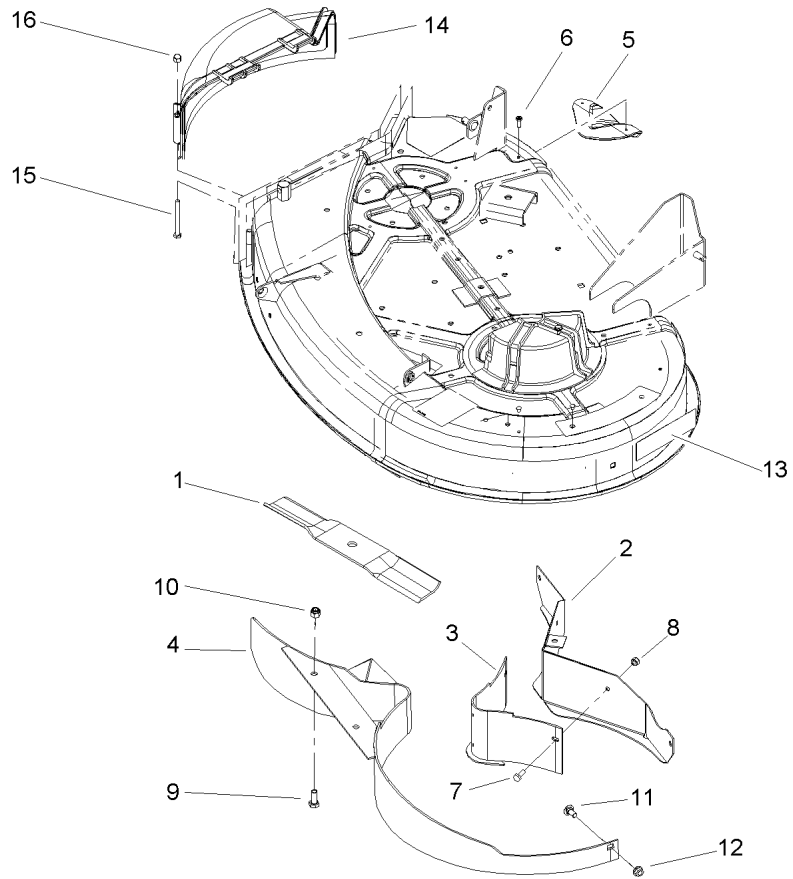
Parts in service assemblies have reference numbers in the form a:b. The a represents the reference number of the entire service assembly and the b represents a sequential number unique to each part within the service assembly.

For example, a wheel assembly might be identified by reference number 6, the tire by 6:1, the valve by 6:2, and the wheel by 6:3. When you order the assembly identified by reference number 6, you receive all parts identified by reference numbers 6:1, 6:2, and 6:3. However, you may also order any part individually. Reference numbers of this type appear in illustrations and in part lists.

### Reference Numbers Indicating Quantity

In an illustration, if a reference number indicates more than one part, the reference number has the form nX y. The n represents the quantity of the part, the X is the multiplication symbol, and the y represents the reference number.

For example, in an illustration, the reference number 2X 37 means that two of the parts identified by reference number 37 are indicated.



## Recycler Kit, 38in Mower

Ref	Part No.	Qty.	Description			
1	79-3061-03	2	Blade			
2	107-2484-03	1	Baffle-Rear			
3	79-1640-03	1	Baffle			
4	79-1600-03	1	Baffle			
5	76-2160	4	Plate-Kicker			
6	32144-111	8	Screw-PPH			
7	321-4	2	Screw-HH			
8	3296-42	2	Nut-Lock, NI			
9	323-5	2	Screw-HH			
10	3296-39	2	Nut-Lock, NI			
11	3230-1	1	Bolt-CARR			
12	32128-25	1	Nut-HF			
13	106-6407	1	Decal-Recycler			
14	88-4430	1	Cover-Recycler			
15	321-55	2	Screw-HH			
16	32111-7	2	Nut-Cap			