



CE Decal Kit

107cm Rear Discharge and 132cm Side Discharge Mowers

Model No. 107-3699

Parts Catalog

Ordering Replacement Parts

To order replacement parts, please supply the part number, the quantity, and the description of each part desired.

Understanding Reference Numbers

Each Identified part in an illustration has a reference number. The reference number for a part also appears in the parts list, along with other information about the part.

This catalog uses two special reference number formats, one to indicate parts in a service assembly and another to indicate the quantity of a given part in an illustration.

Service Assembly Reference Numbers

Parts in service assemblies have reference numbers in the form a:b. The a represents the reference number of the entire service assembly and the b represents a sequential number unique to each part within the service assembly.

For example, a wheel assembly might be identified by reference number 6, the tire by 6:1, the valve by 6:2, and the wheel by 6:3. When you order the assembly identified by reference number 6, you receive all parts identified by reference numbers 6:1, 6:2, and 6:3. However, you may also order any part individually. Reference numbers of this type appear in illustrations and in part lists.

Reference Numbers Indicating Quantity

In an illustration, if a reference number indicates more than one part, the reference number has the form nX y. The n represents the quantity of the part, the X is the multiplication symbol, and the y represents the reference number.

For example, in an illustration, the reference number 2X 37 means that two of the parts identified by reference number 37 are indicated.

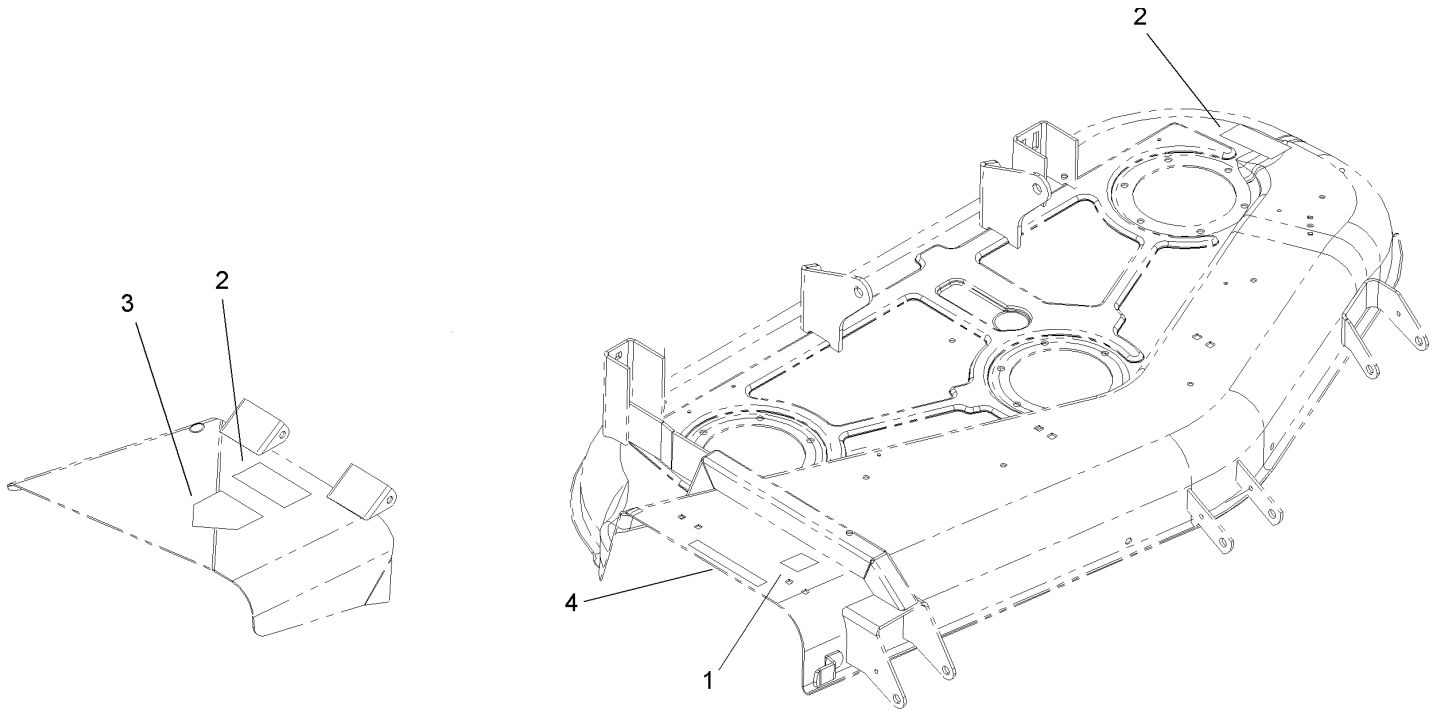
Contents

Description	Page	Description	Page
Roller and Baffle Decal Assembly 132cm Side Discharge Mower 3	Deck Decal Assembly 107cm Rear Discharge Mower 6
Deck Suspension Decal Assembly 132cm Side Discharge Mower 4	Deck Suspension Assembly 107cm Rear Discharge Mower 7
Pulley Box Decal Assembly 132cm Side and 107cm Rear Discharge Mower 5		

Part Description Abbreviations

Part descriptions in this catalog may include the following abbreviations.

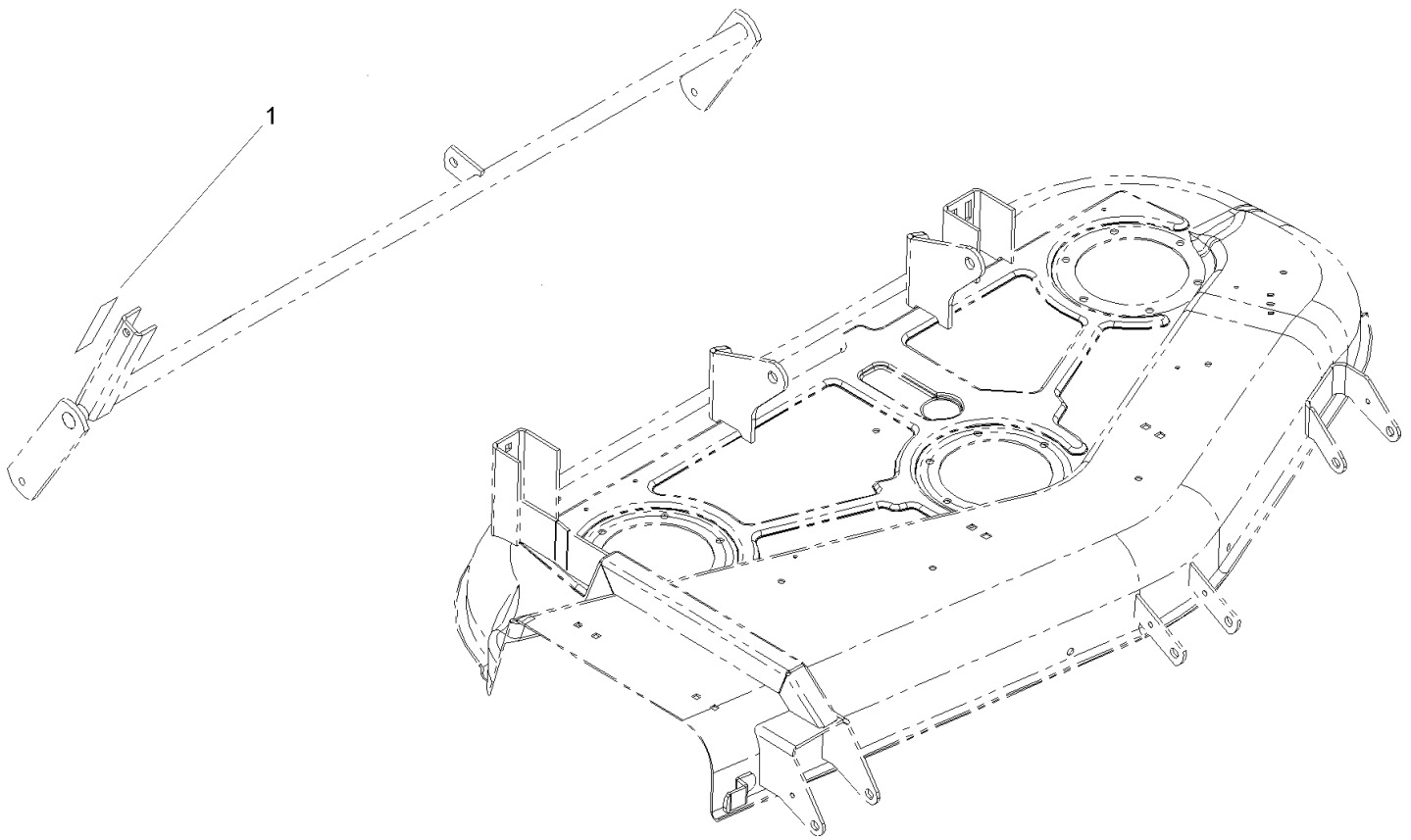
AR. as required	INC. incorporated
ASM. assembly	LH. left hand
CARR. carriage	NI. nylon insert
DEG. degrees	PPH. phillips pan head
FH. flat head	PTH. phillips truss head
GA. gauge	PTO. power take off
HF. hex flange	RH. right hand
HH. hex head	SFH. slotted fillister head
HHF. hex head flange	SHH. slotted hex head
HHFTF. hex head flange thread forming	SHWH. slotted hex washer head
HJ. hex jam	SPH. slotted pan head
HLH. hex lag head	SQH. square head
HOC. height-of-cut	SRH. slotted round head
HS. hex	STD. standard
HSBH. hex socket button head	TAP. self tapping
HSFH. hex socket flat head	TTH. torx truss head
HSH. hex socket head	WH. wing head
HWH. hex washer head	
HWHTF. hex washer head thread forming	
HYD. hydraulic	



Roller and Baffle Decal Assembly 132cm Side Discharge Mower

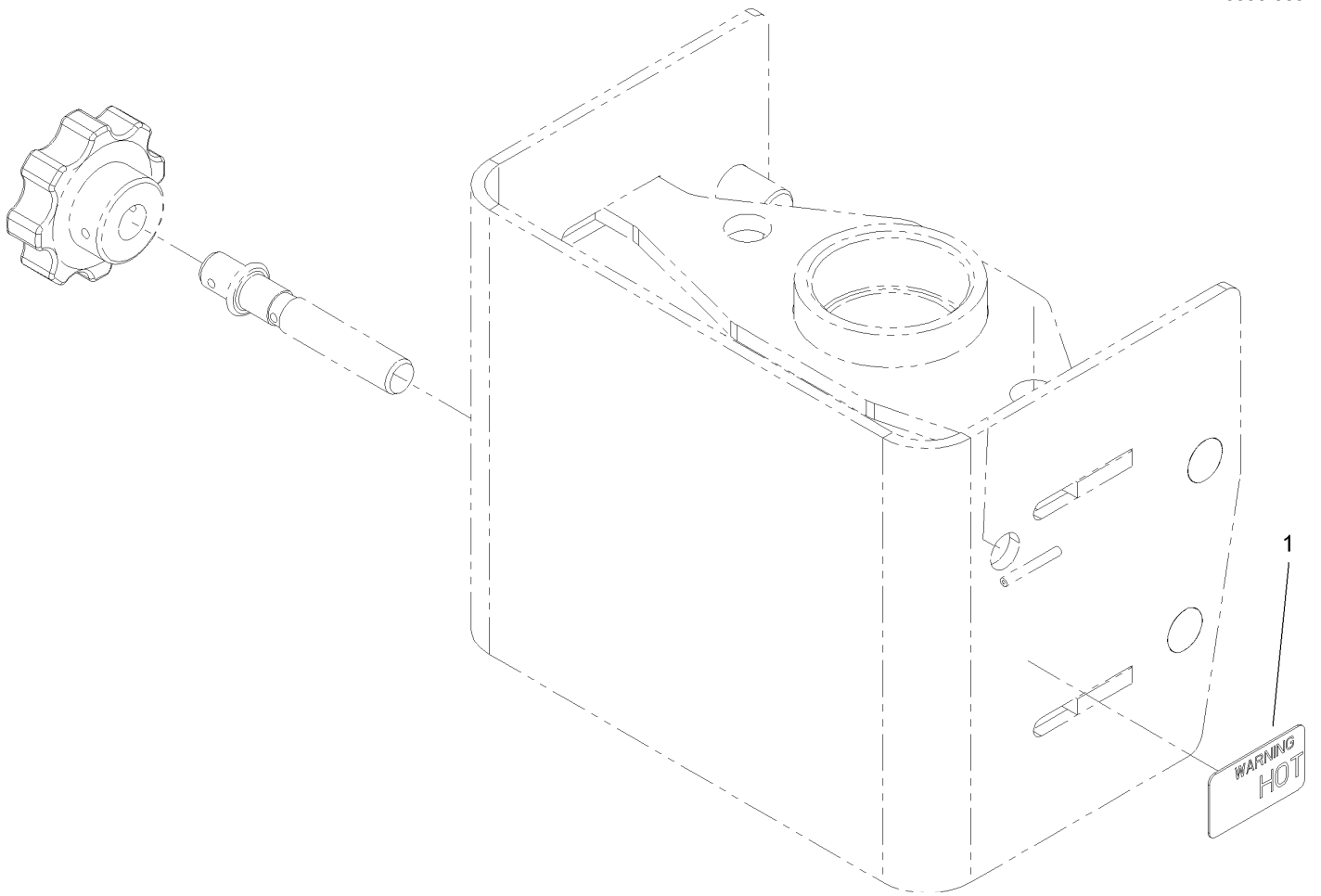
Ref	Part No.	Qty.	Description
1	105-4674	1	Decal-Noise, Ce
2	93-7317	2	Decal-Danger
3	93-7316	1	Decal-Danger
4	93-7009	1	Decal-Danger

--	--	--	--



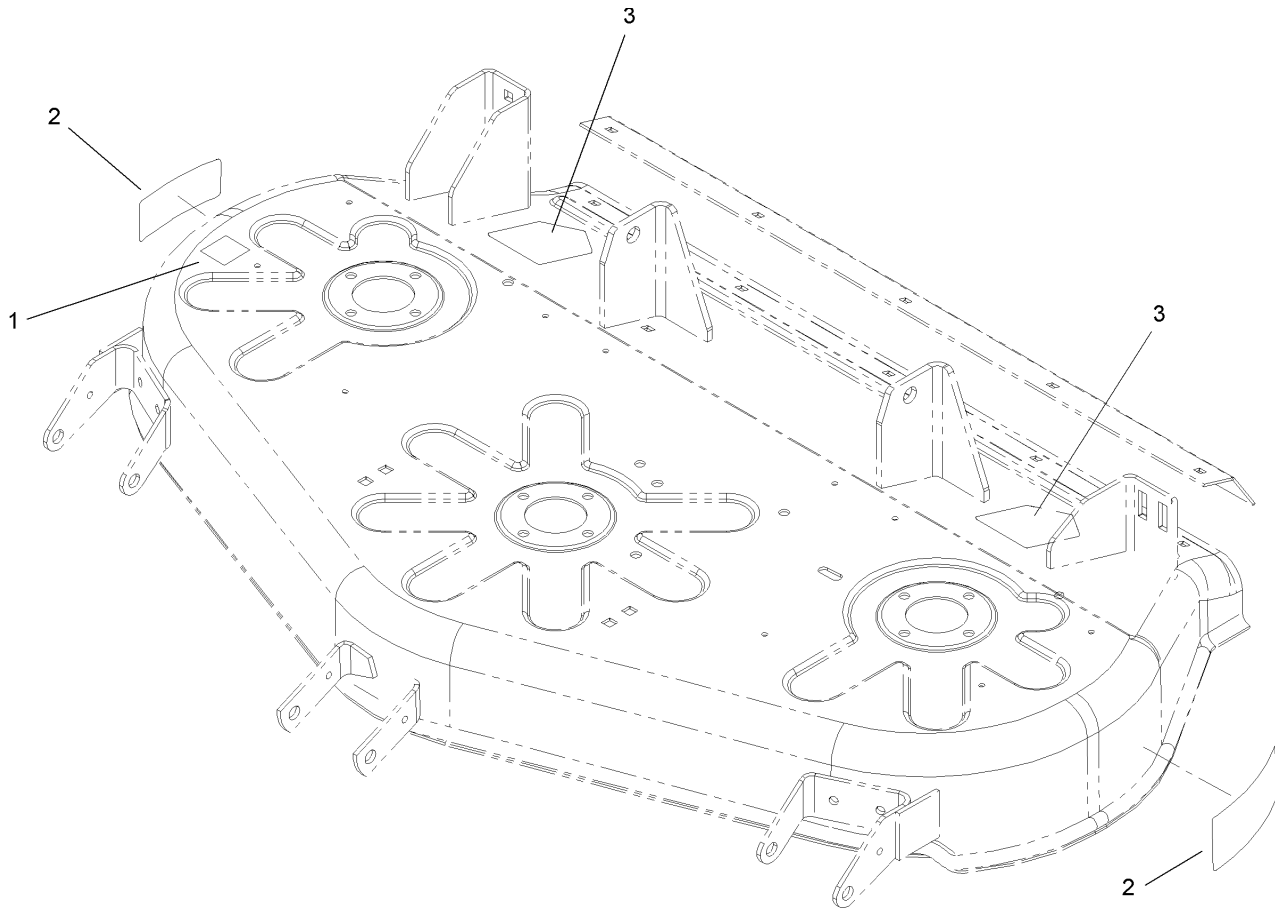
Deck Suspension Decal Assembly 132cm Side Discharge Mower

Ref	Part No.	Qty.	Description
1	107-8456	1	Decal-HOC



**Pulley Box Decal Assembly
132cm Side and 107cm Rear Discharge Mower**

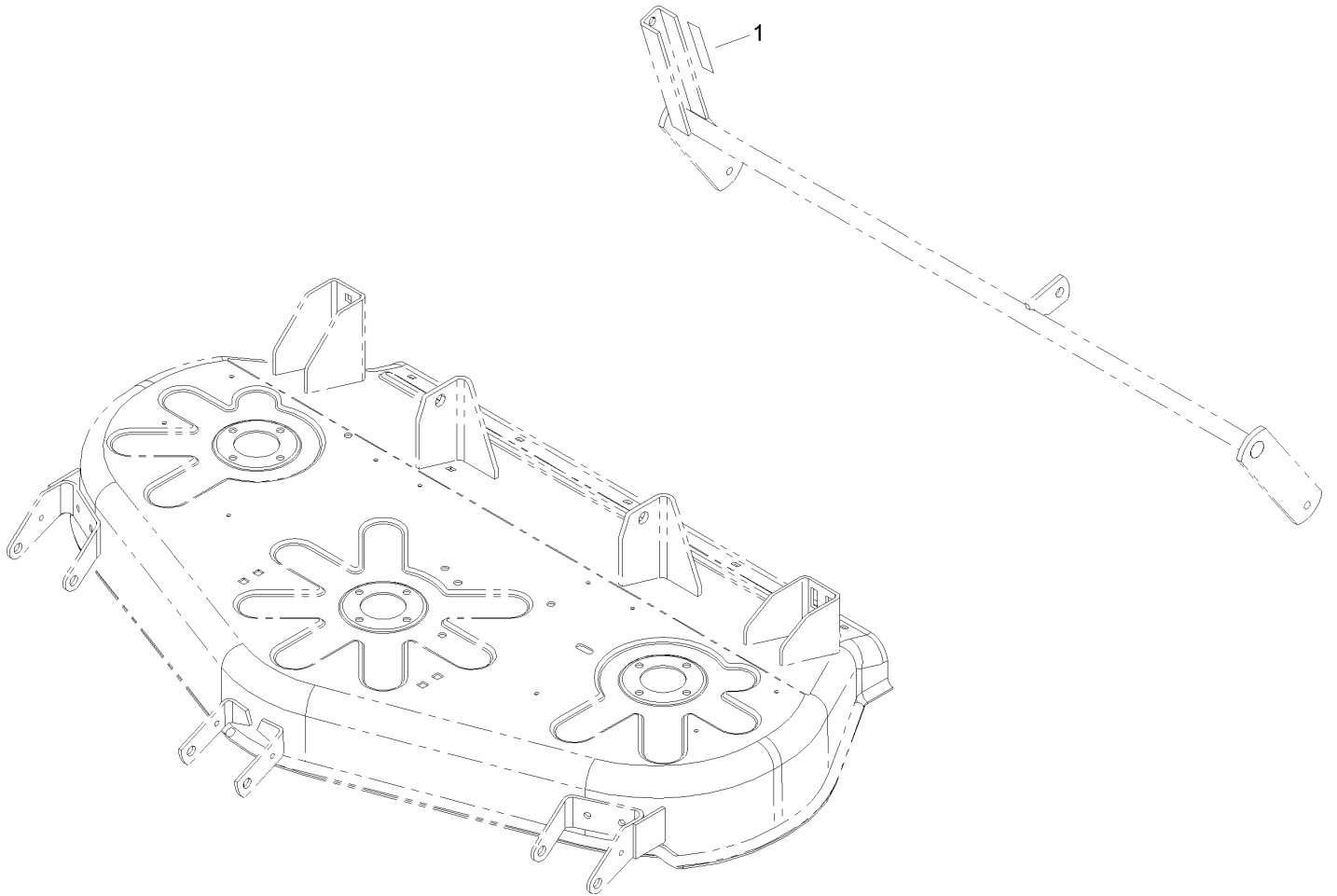
Ref	Part No.	Qty.	Description
1	107-9200	2	Decal-Warning, Hot



Deck Decal Assembly 107cm Rear Discharge Mower

Ref	Part No.	Qty.	Description
1	105-2699	1	Decal-Noise
2	93-7317	2	Decal-Danger
3	93-7316	2	Decal-Danger

--	--	--	--	--	--	--	--



Deck Suspension Assembly 107cm Rear Discharge Mower

Ref	Part No.	Qty.	Description				
1	107-8456	1	Decal-HOC				

