



## Z Stand<sup>®</sup> Kit 200 and 500 Series Z Master<sup>®</sup>

Model No. 105-1622

### Parts Catalog

---

#### Ordering Replacement Parts

To order replacement parts, please supply: the part number, the quantity, and the description of each part desired.

#### Understanding Reference Numbers

Each identified part in an illustration has a reference number. The reference number for a part also appears in the parts list, along with other information about the part.

This catalog uses two special reference number formats, one to indicate parts in a service assembly and another to indicate the quantity of a given part in an illustration.

#### Service Assembly Reference Numbers

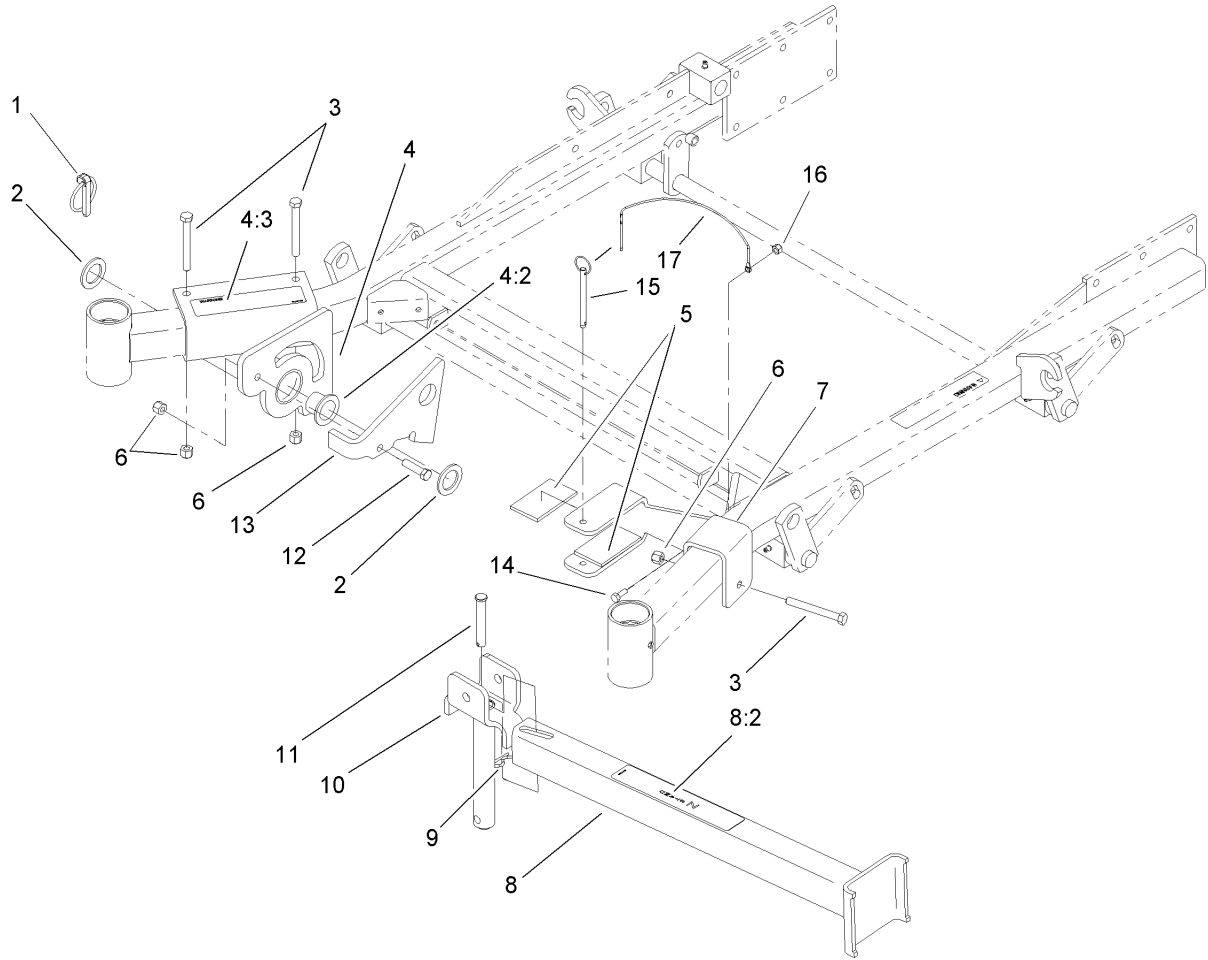
Parts in service assemblies have reference numbers in the form **a:b**. The **a** represents the reference number of the entire service assembly and the **b** represents a sequential number unique to each part within the service assembly.

For example, a wheel assembly might be identified by reference number 6, the tire by **6:1**, the valve by **6:2**, and the wheel by **6:3**. When you order the assembly identified by reference number 6, you receive all parts identified by reference numbers 6:1, 6:2, and 6:3. However, you may also order any part individually. Reference numbers of this type appear in illustrations and in part lists.

#### Reference Numbers Indicating Quantity

In an illustration, if a reference number indicates more than one part, the reference number has the form **nX y**. The **n** represents the quantity of the part, the **X** is the multiplication symbol, and the **y** represents the reference number.

For example, in an illustration, the reference number **2X 37** means that two of the parts identified by reference number 37 are indicated.



## Stand Assembly

Ref	Part No.	Qty.	Description				
1	283-71	1	Pin-Lynch				
2	3-6781	4	Washer-Thrust				
3	323-20	3	Screw-HH				
4	105-1620	1	Hub And Clamp ASM				
4:2	94-1291	2	Bushing				
4:3	104-7759	1	Decal-Warning				
5	100-6547	2	Cushion-Rubber				
6	3296-39	4	Nut-Lock, NI				
7	100-6542-01	1	Bracket-Cradle				
8	107-1874	1	Leg ASM				
8:2	106-7464	1	Decal-Z Stand				
9	3290-355	1	Pin-Hair				
10	100-9692-01	1	Pivot Pin ASM				
11	283-55	1	Pin-Clevis				
12	323-8	1	Screw-HH				
13	100-9686-01	1	Bracket-Latch				
14	321-4	1	Screw-HH				
15	105-1647	1	Pin-Hitch, Cotterless				
16	3296-42	1	Nut-Lock, NI				
17	100-9385	1	Lanyard-Nylon				