



53cm Super Recycler[®] Lawnmower

Model No. 20783 - 250000001 and up.

Parts Catalog

Ordering Replacement Parts

To order replacement parts, please supply the part number, the quantity, and the description of each part desired.

Understanding Reference Numbers

Each Identified part in an illustration has a reference number. The reference number for a part also appears in the parts list, along with other information about the part.

This catalog uses two special reference number formats, one to indicate parts in a service assembly and another to indicate the quantity of a given part in an illustration.

Service Assembly Reference Numbers

Parts in service assemblies have reference numbers in the form a:b. The a represents the reference number of the entire service assembly and the b represents a sequential number unique to each part within the service assembly.

For example, a wheel assembly might be identified by reference number 6, the tire by 6:1, the valve by 6:2, and the wheel by 6:3. When you order the assembly identified by reference number 6, you receive all parts identified by reference numbers 6:1, 6:2, and 6:3. However, you may also order any part individually. Reference numbers of this type appear in illustrations and in part lists.

Reference Numbers Indicating Quantity

In an illustration, if a reference number indicates more than one part, the reference number has the form nX y. The n represents the quantity of the part, the X is the multiplication symbol, and the y represents the reference number.

For example, in an illustration, the reference number 2X 37 means that two of the parts identified by reference number 37 are indicated.

Contents

Description	Page	Description	Page
Housing, Handle Brackets and Wheel Assembly	3	Crankcase Assembly Briggs and Stratton 122602-0120-E1	14
Housing, Kicker, and Washout Assembly No. 105-1309	4	Carburetor Assembly Briggs and Stratton 122602-0120-E1	15
Gear Case Assembly No. 104-7674	5	Air Cleaner Assembly Briggs and Stratton 122602-0120-E1	16
Gearcase and Wheel Assembly	6	Governor Assembly Briggs and Stratton 122602-0120-E1	17
Engine Assembly	7	Muffler and Fuel Tank Assembly Briggs and Stratton 122602-0120-E1	18
Handle Assembly	8	Blower Housing Assembly Briggs and Stratton 122602-0120-E1	19
Rear Bag Discharge Chute Assembly	9	Starter Assembly Briggs and Stratton 122602-0120-E1	20
Rear Bagger Assembly No. 11-0189	10	Gasket Assembly Briggs and Stratton 122602-0120-E1	21
Cylinder Assembly Briggs and Stratton 122602-0120-E1	11	Carburetor Overhaul Kit Assembly Briggs and Stratton 122602-0120-E1	22
Cylinder Head Assembly Briggs and Stratton 122602-0120-E1	12		
Crankshaft Assembly Briggs and Stratton 122602-0120-E1	13		

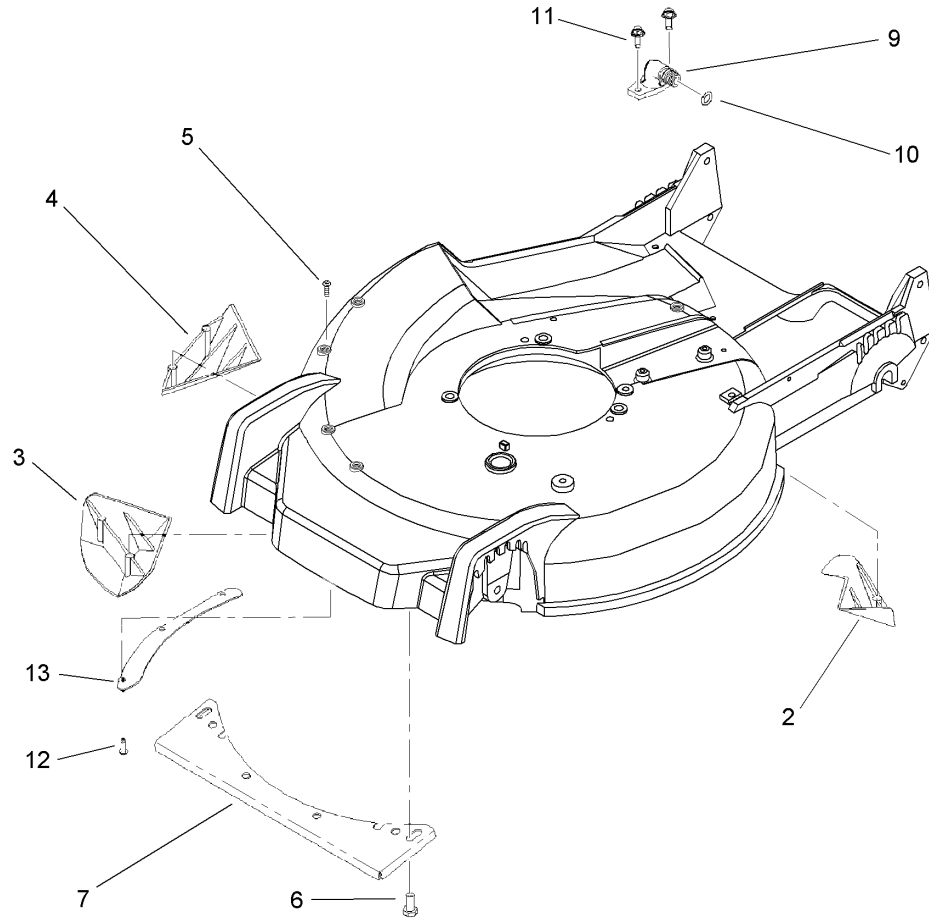
Part Description Abbreviations

Part descriptions in this catalog may include the following abbreviations.

AR. as required	INC. incorporated
ASM. assembly	LH. left hand
CARR. carriage	NI. nylon insert
DEG. degrees	NPTF. national pipe thread fine
FH. flat head	PPH. phillips pan head
GA. gauge	PRH. phillips round head
HF. hex flange	PTH. phillips truss head
HH. hex head	PTO. power take off
HHF. hex head flange	RH. right hand
HHFTF. hex head flange thread forming	ROPS. roll over protection system
HJ. hex jam	SFH. slotted fillister head
HLH. hex lag head	SHH. slotted hex head
HOC. height-of-cut	SHWH. slotted hex washer head
HS. hex	SPH. slotted pan head
HSBH. hex socket button head	SQH. square head
HSFH. hex socket flat head	SRH. slotted round head
HSH. hex socket head	STD. standard
HWH. hex washer head	TAP. self tapping
HWHTF. hex washer head thread forming	TTH. torx truss head
HYD. hydraulic	WH. wing head

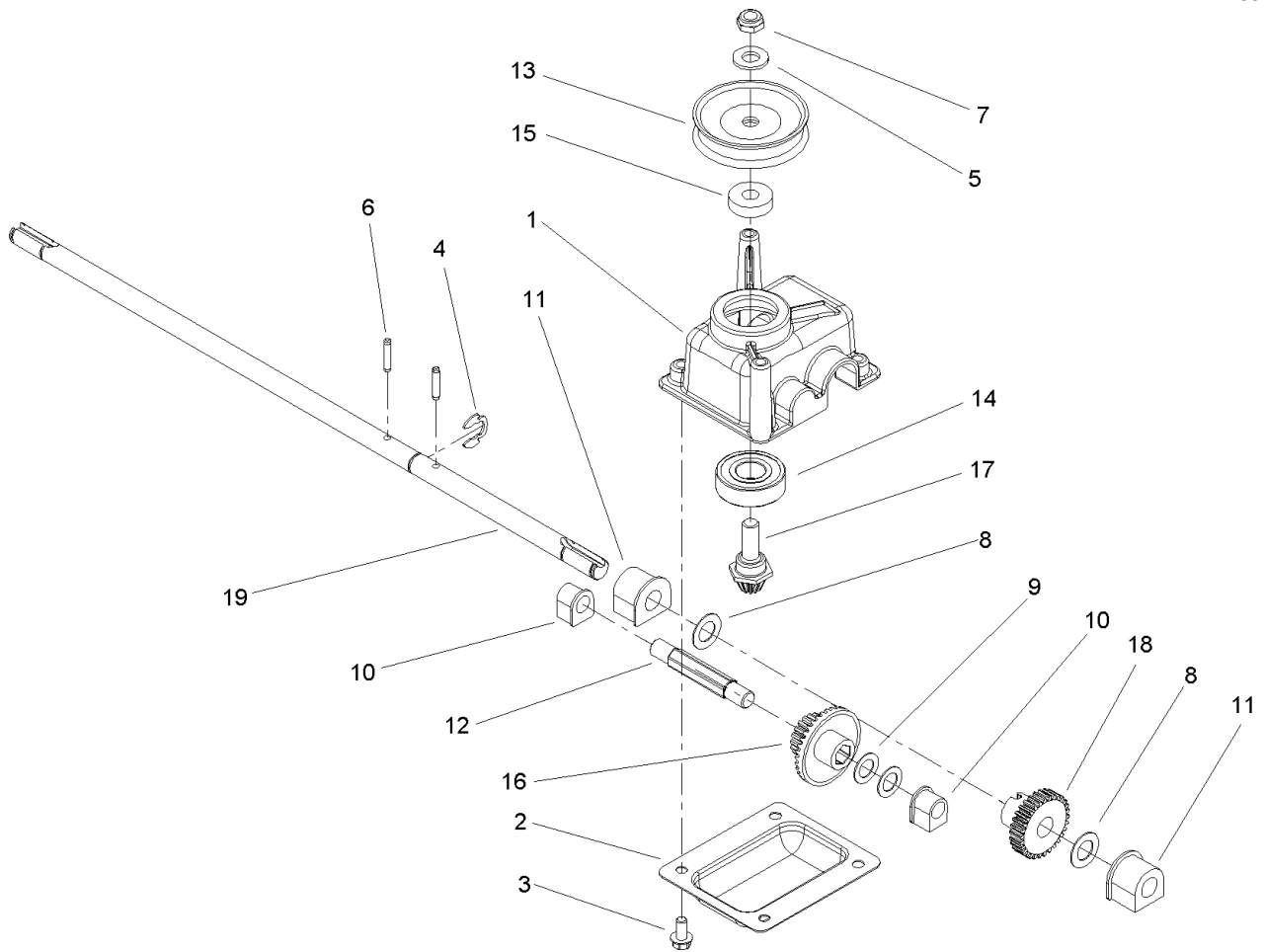
Footnotes

- | | |
|---|---|
| ❶ Not serviced separately | ❷ Included in Engine Gasket Set-Ref. 358. |
| ❸ Included in Valve Gasket Set-Ref. 1095. | ❹ Included in Carburetor Overhaul Kit-Ref. 121. |
| ❺ Included in Carburetor Gasket Set-Ref. 977. | ❻ Obtain parts from your local Briggs & Stratton dealer |



Housing, Kicker, and Washout Assembly No. 105-1309

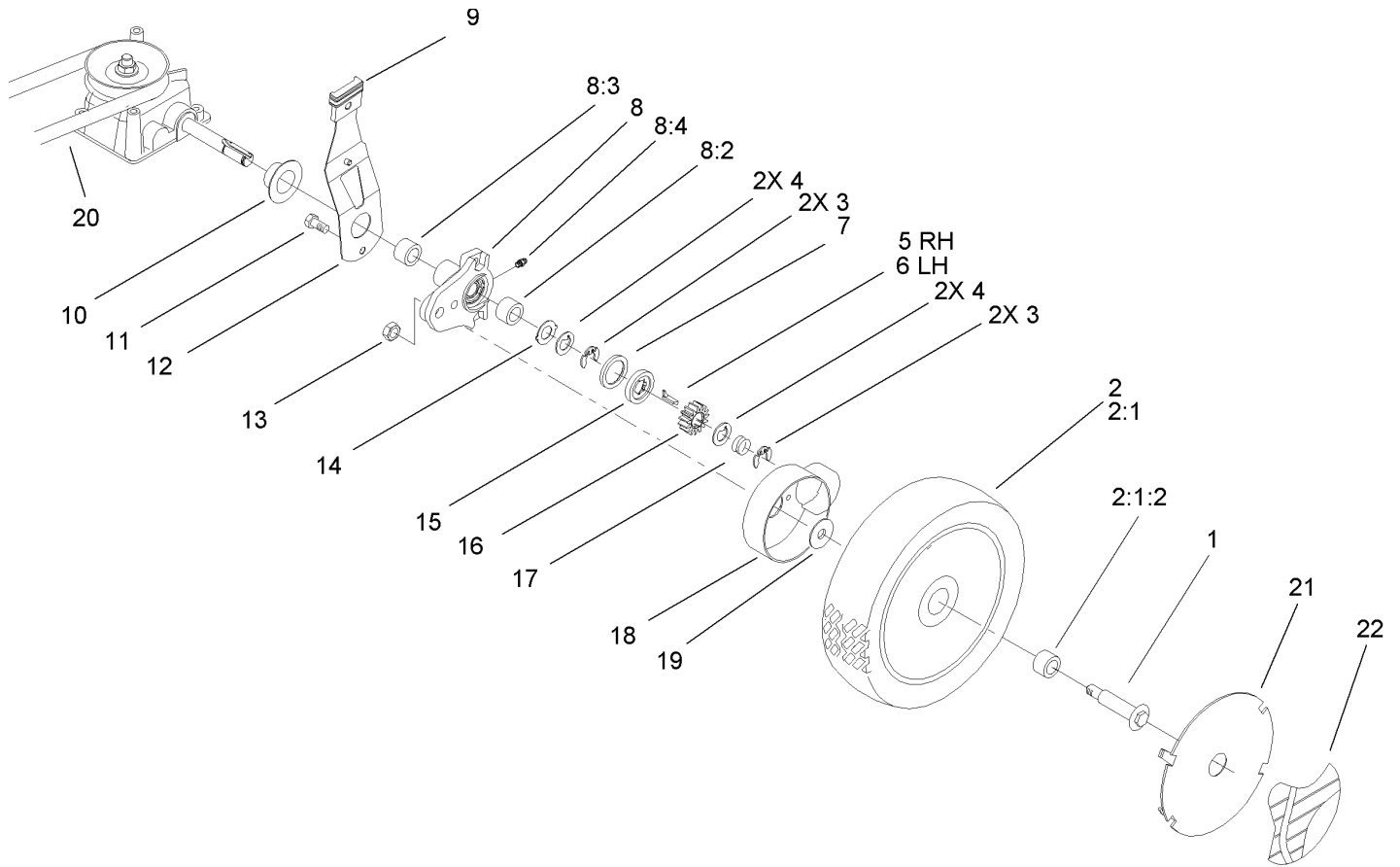
Ref	Part No.	Qty.	Description				
2	92-1750	1	Kicker-Rear				
3	92-1720	1	Kicker-Front				
4	92-1730	1	Kicker-RH				
5	32144-111	6	Screw-PPH				
6	32144-70	4	Screw-HH				
7	46-5400-03	1	Shield				
9	95-2747	1	Fitting-Washout				
10	46-6290	1	O-Ring				
11	46-6811	2	Screw-HWH				
12	63-8590	3	Screw				
13	105-1316-03	1	Sheet-Lip				



Gear Case Assembly No. 104-7674

Ref	Part No.	Qty.	Description
1	104-7619	1	Case-Gear
2	614668-03	1	Cover-Case, Gear
3	32144-4	4	Screw-HWH
4	32151-68	1	Ring-Retaining
5	3256-24	1	Washer-Flat
6	3285-19	2	Pin-Groove
7	3296-5	1	Nut-Lock
8	36-4780	2	Washer
9	36-4791	2	Washer-Thrust
10	60-8750	2	Bushing
11	60-8850	2	Bushing
12	614696	1	Shaft-Intermediate
13	100-1176	2	Pulley-Half
14	100-1048	1	Bearing-Ball
15	62-6660	1	Spacer
16	104-1005	1	Gear-19t Spur, 37t Bevel
17	104-7667	1	Gear-Pinion, Bevel
18	104-1004	1	Gear-30t
19	104-7673	1	Shaft-Output

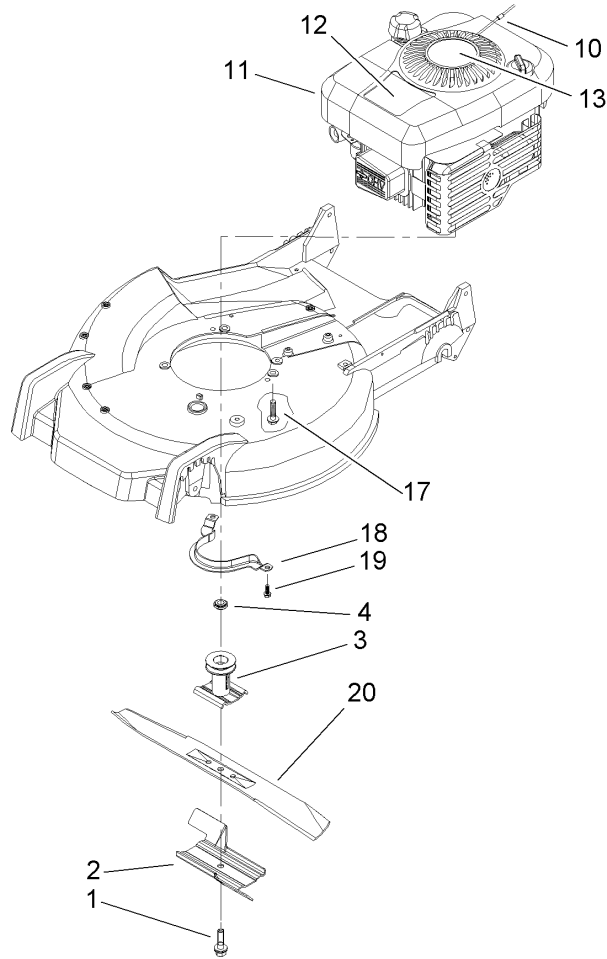
--	--	--	--



Gearcase and Wheel Assembly

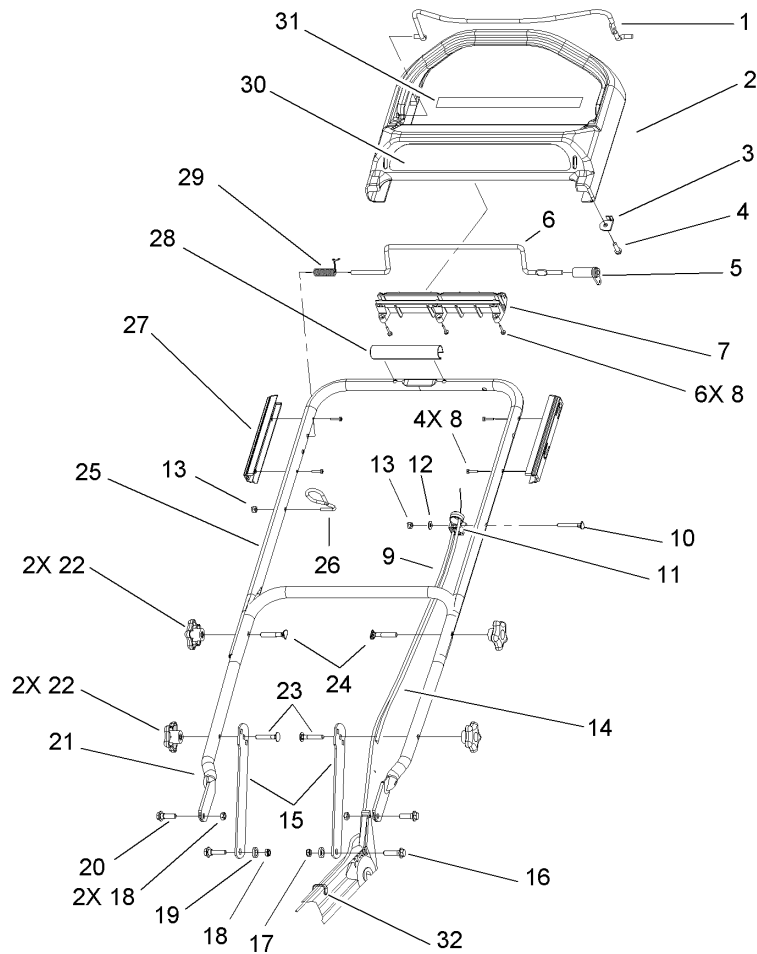
Ref	Part No.	Qty.	Description
1	92-1057	2	Bolt-Shoulder
2	100-5955	2	Wheel ASM
2:1		1	Wheel ASM
2:1:2	27-6250	2	Bushing
3	65-2720	4	Klipring-Locking
4	65-4740	4	Washer-Thrust, Keyed
5	66-6040	1	Key-Rocking, RH
6	66-6050	1	Key-Rocking, LH
7	65-4710	2	Ring-Friction
8	100-8774	2	Pivot Arm ASM
8:2	47-2900	1	Bushing
8:3	70-9760	1	Bushing
8:4	302-56	1	Fitting-Grease
9	25-7740	2	Knob-Arm
10	42-3520	2	Cap-End
11	32144-85	2	Screw-HWH
12	63-8721	2	Spring Arm ASM
13	603773	2	Nut
14	65-4730	2	Washer-Arm, Pivot
15	65-4760	2	Washer-Clutch
16	65-4750	2	Gear-Pinion
17	65-4720	2	Spring-Compression
18	74-1660	2	Cover-Wheel
19	74-1671	2	Spacer-Cover, Wheel

Ref	Part No.	Qty.	Description
20	91-2258	1	V-Belt
21	100-6351	1	Cover-Wheel
22	100-1519	1	Label-Wheel, Smart



Engine Assembly

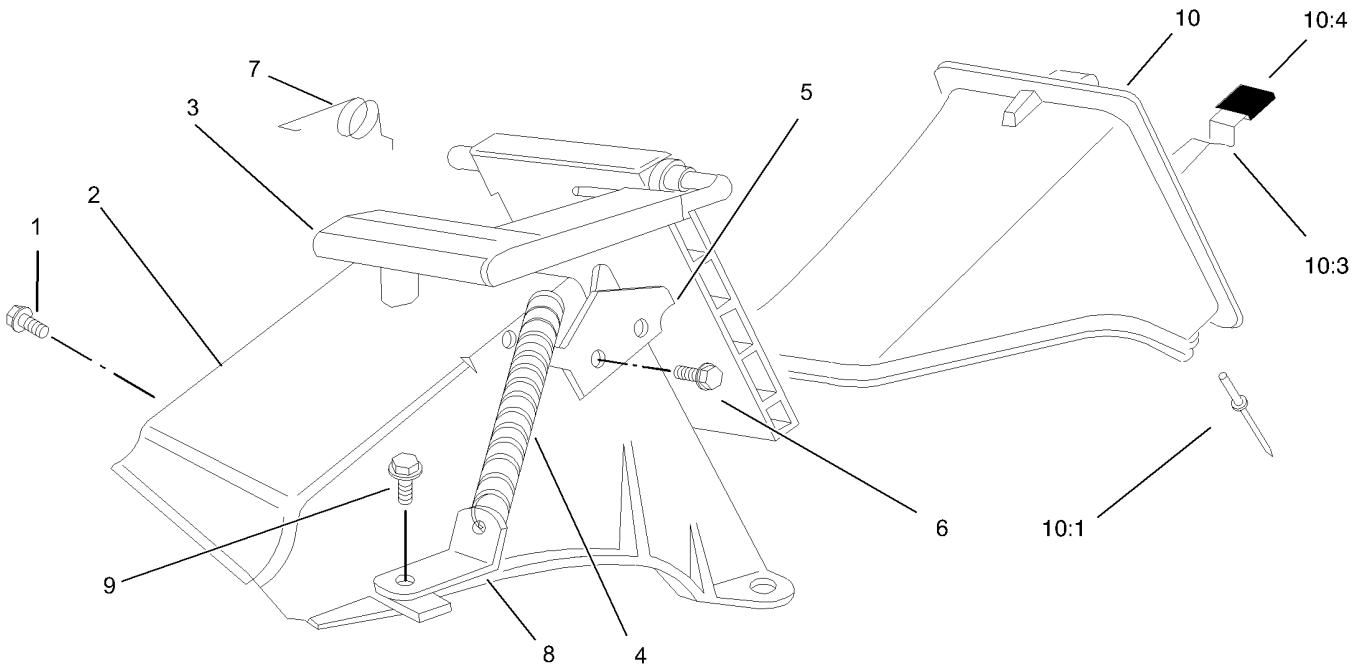
Ref	Part No.	Qty.	Description				
1	105-8579	1	Bolt-Blade				
2	105-6848-03	1	Accelerator-Blade				
3	106-3987	1	Blade Driver ASM				
4	106-3999	1	Spacer-Driver				
10	2210-316	1	Stop-Rope				
11		1	Engine-Briggs And Stratton No. 122602-0120-E1				
12	99-6015	1	Decal Logo-Recoil				
13	107-8921	1	Decal-Recoil, Recycler				
17	32144-102	3	Screw-HWH				
18	66-0570-03	1	Bracket-Guide, Belt				
19	32144-70	2	Screw-HH				
20	93-4106-03	1	Blade				



Handle Assembly

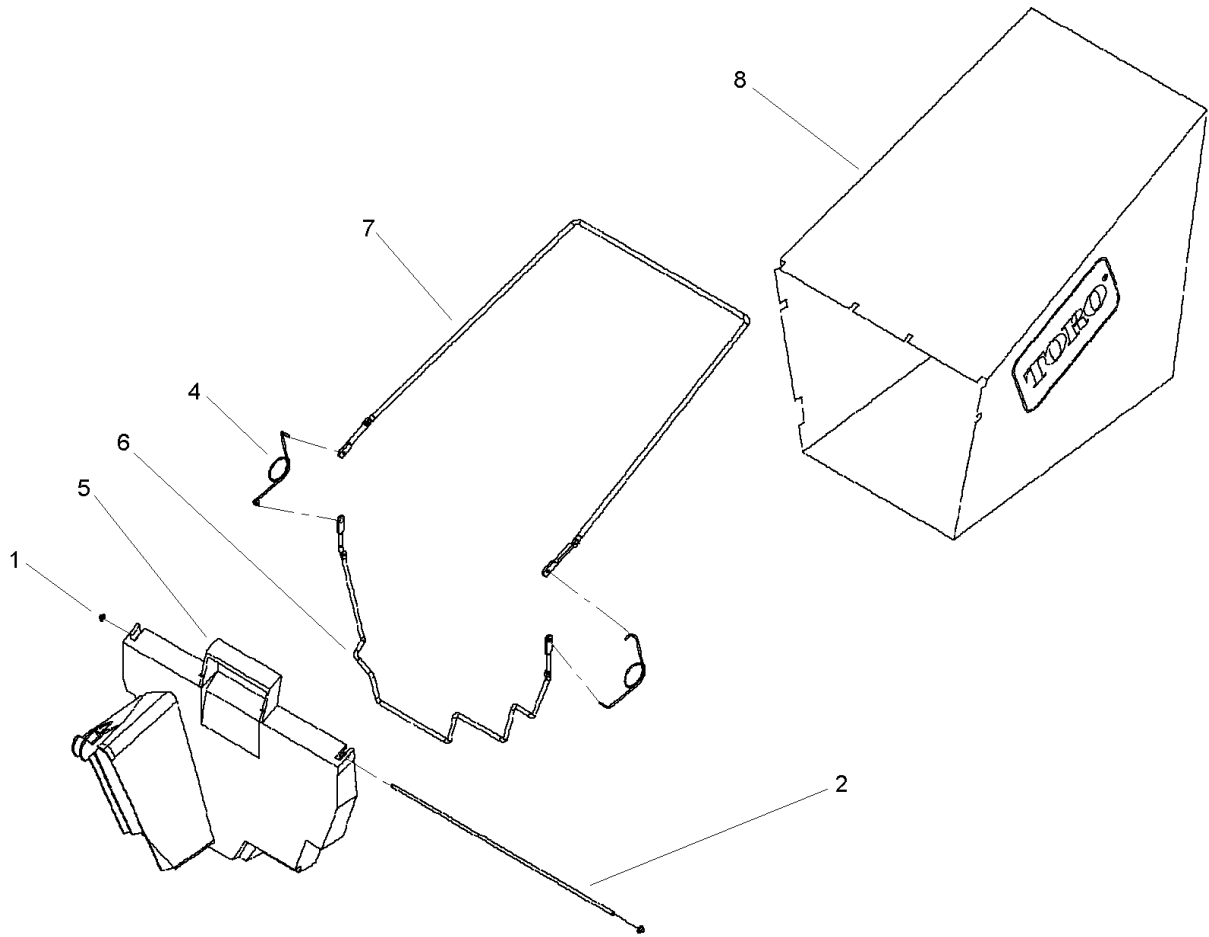
Ref	Part No.	Qty.	Description
1	99-1593-03	1	Bail-Brake
2	99-1582	1	Handle-Control
3	106-2662	1	Retainer-Cable
4	98-2682	1	Screw
5	99-1589	1	Lever-Traction
6	99-1588	1	Bar-Control, Traction
7	99-6008	1	Retainer-Control Rod, Traction
8	94-4496	10	Screw-PPH
9	100-1186	1	Cable-Brake
10	95-4453	1	Screw
11	99-5239	1	Anchor-Cable
12	3256-1	1	Washer-Flat
13	3296-73	2	Nut-Lock, NI
14	106-8300	1	Cable-Traction
15	99-5248-03	2	Latch-Handle
16	27-7210	2	Screw-Shoulder
17	3296-47	1	Nut-Lock, NI
18	3296-72	3	Nut-Lock, Ne
19	3-3287	2	Spacer-Latch, Handle
20	27-7211	2	Screw-Shoulder
21	99-5249-05	1	Handle-Lower
22	106-4161	4	Knob-Handle
23	99-6019	2	Screw-CARR
24	92-2260	2	Screw-Handle

Ref	Part No.	Qty.	Description
25	99-1596-05	1	Handle-Upper
26	86-9671	1	Guide-Rope
27	99-1590	2	Guide-Handle, Control
28	100-5970	1	Cover-Handle
29	99-1592	1	Spring-Torsion, RH
30	105-8643	1	Decal-Panel
31	93-6655	1	Decal-Panel, Rear
32	100-2894	1	Tie-Cable



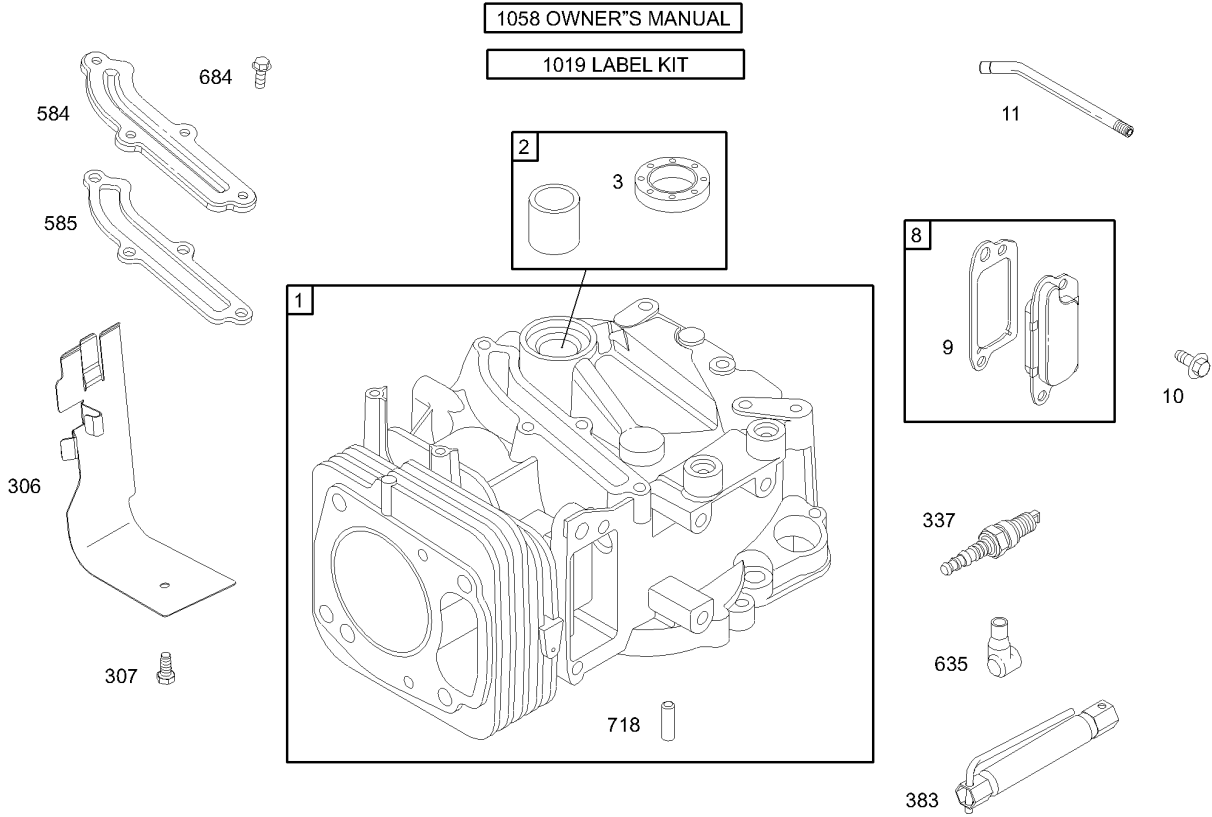
Rear Bag Discharge Chute Assembly

Ref	Part No.	Qty.	Description
1	46-6810	1	Screw And Washer ASM
2	82-9151	1	Tunnel-Discharge
3	106-8336	1	Discharge Door ASM
4	76-4660	1	Spring-Door
5	106-8334	1	Plate-Latch
6	46-8090	2	Screw-Plastite
7	80-3770	1	Retainer-Door
8	71-9350	1	Bracket-Spring
9	46-6811	3	Screw-HWH
10	77-0502	1	Discharge Plug ASM
10:1	3295-35	1	Rivet-Head, Flat
10:3	76-4640	1	Latch-Plug, Discharge
10:4	76-4650	1	Grip-Latch



Rear Bagger Assembly No. 11-0189

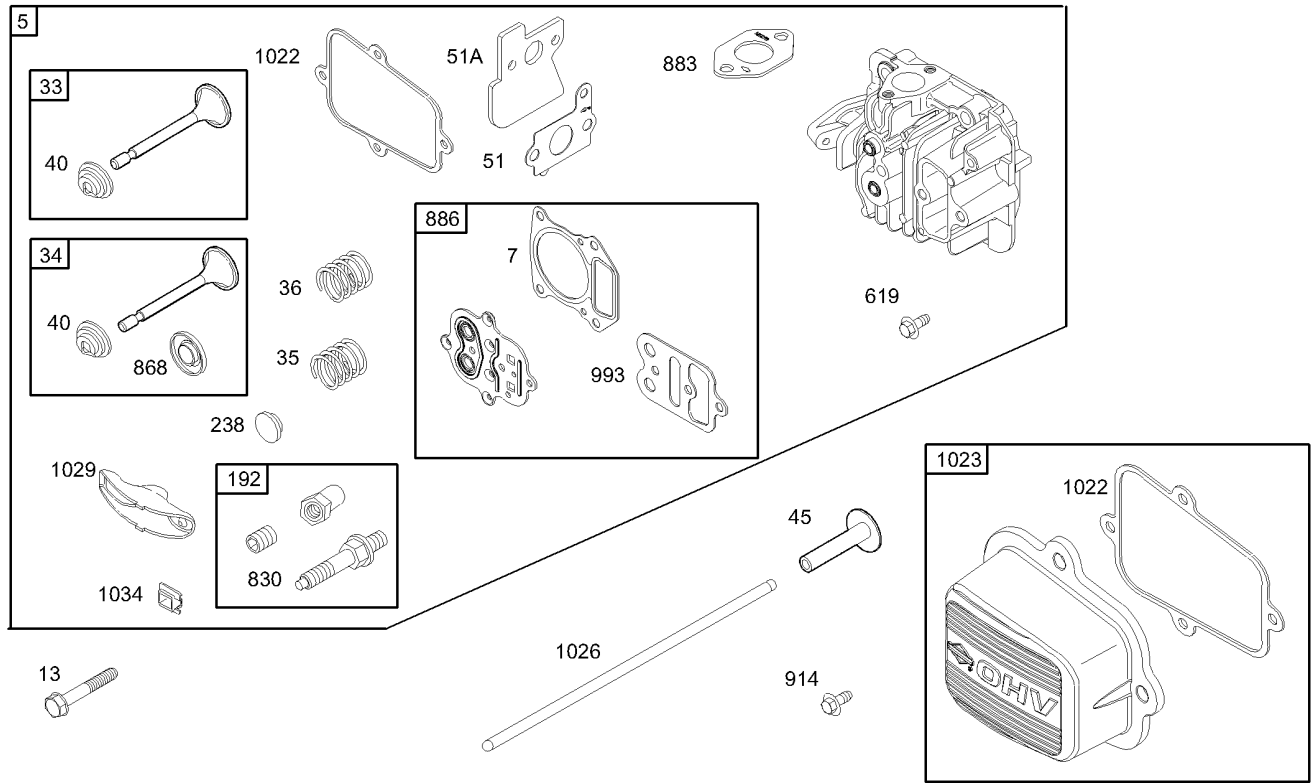
Ref	Part No.	Qty.	Description				
1	3290-422	2	Nut-Push				
2	33-4820	1	Hinge-Door, Bag				
4	36-6910	2	Spring				
5	37-1393	1	Door-Bag				
6	42-4020	1	Frame-Bag				
7	42-4030	1	Frame-Bag, Upper				
8	44-0522	1	Bag-Grass				



Assemblies include all parts shown in frames.

Cylinder Assembly Briggs and Stratton 122602-0120-E1

Ref	Part No.	Qty.	Description
1	499678	1	Cylinder Assembly
2	399269	1	Kit-bushing/seal
3	299819	1	Seal-oil Magneto Side)
8	495786	1	Breather Assembly
9	272481	1	Gasket-breather
10	691125	1	Screw (Breather Asm)
11	691260	1	Tube-breather
306	691232	1	Shield-cylinder
307	690345	1	Screw (Cylinder Shield)
337	692051	1	Sparkplug
383	19374	1	Wrench-Spark Plug
584	692342	1	Cover-breather Passage
585	691879	1	Gasket-breather Passage
635	66538	1	Boot-spark Plug
684	690345	1	Screw (Cylinder Shield)
718	690959	1	Pin-locating
1019	695811	1	Kit-Label
1058	274979	1	Owners Manual

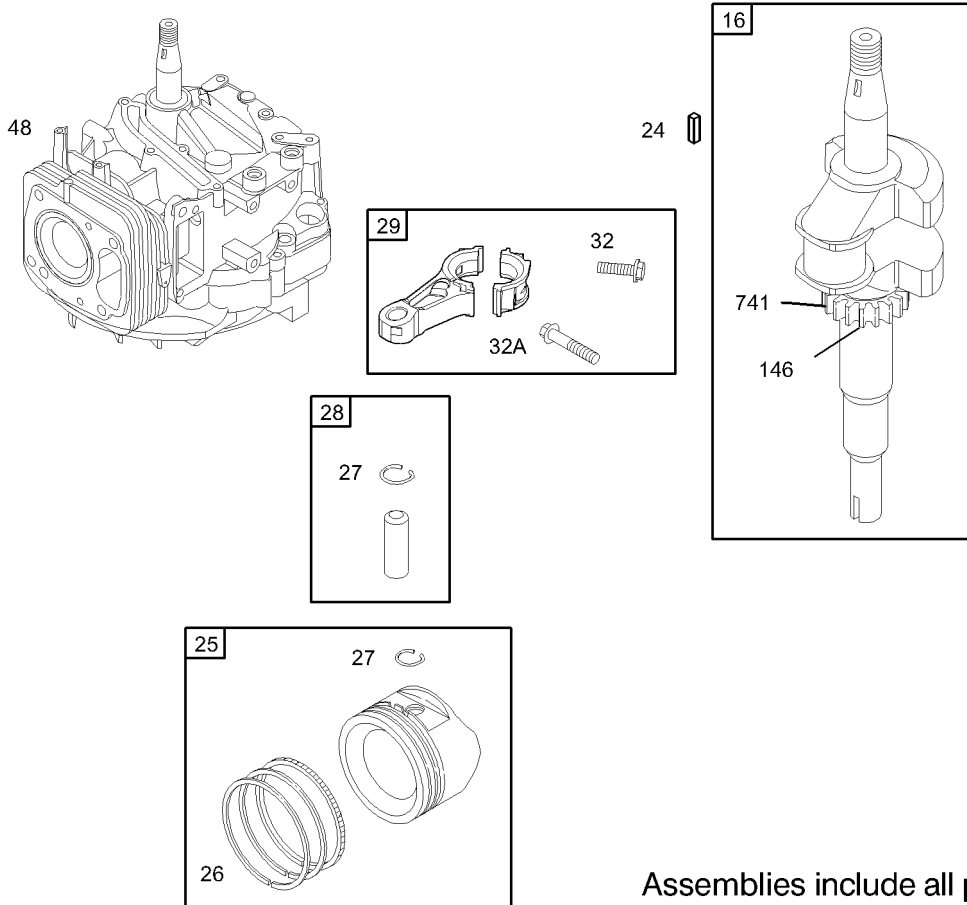


Assemblies include all parts shown in frames.

Cylinder Head Assembly Briggs and Stratton 122602-0120-E1

Ref	Part No.	Qty.	Description
5	695276	1	Head-cylinder
7	695166	1	Cylinder Head Gasket
13	691137	1	Screw (Cylinder Head)
33	499642	1	Exhaust Valve
34	499641	1	Intake Valve
35	691304	1	Valve Spring (Exhaust)
36	691304	1	Valve Spring (Exhaust)
40	692194	1	Retainer-valve
45	690977	1	Valve Tappet
51	692668	1	Gasket-intake
51A	692799	1	Gasket-intake
192	694543	1	Rocker Arm Adjuster
238	691300	1	Valve Cap
619	691108	1	Screw
830	694544	1	Rocker Arm Stud
868	692044	1	Valve Seal
883	691893	1	Exhaust Gasket
886	696268	1	Cylinder Head/plate Gasket Kit
914	691127	1	Screw (Starter Motor)
993	694088	1	Cylinder Head Plate Gasket
1022	691890	1	Rocker Cover Gasket
1023	692694	1	Cover-rocker
1026	692045	1	Rod-push
1029	691230	1	Rocker Arm

Ref	Part No.	Qty.	Description
1034	691343	1	Push Rod Guide

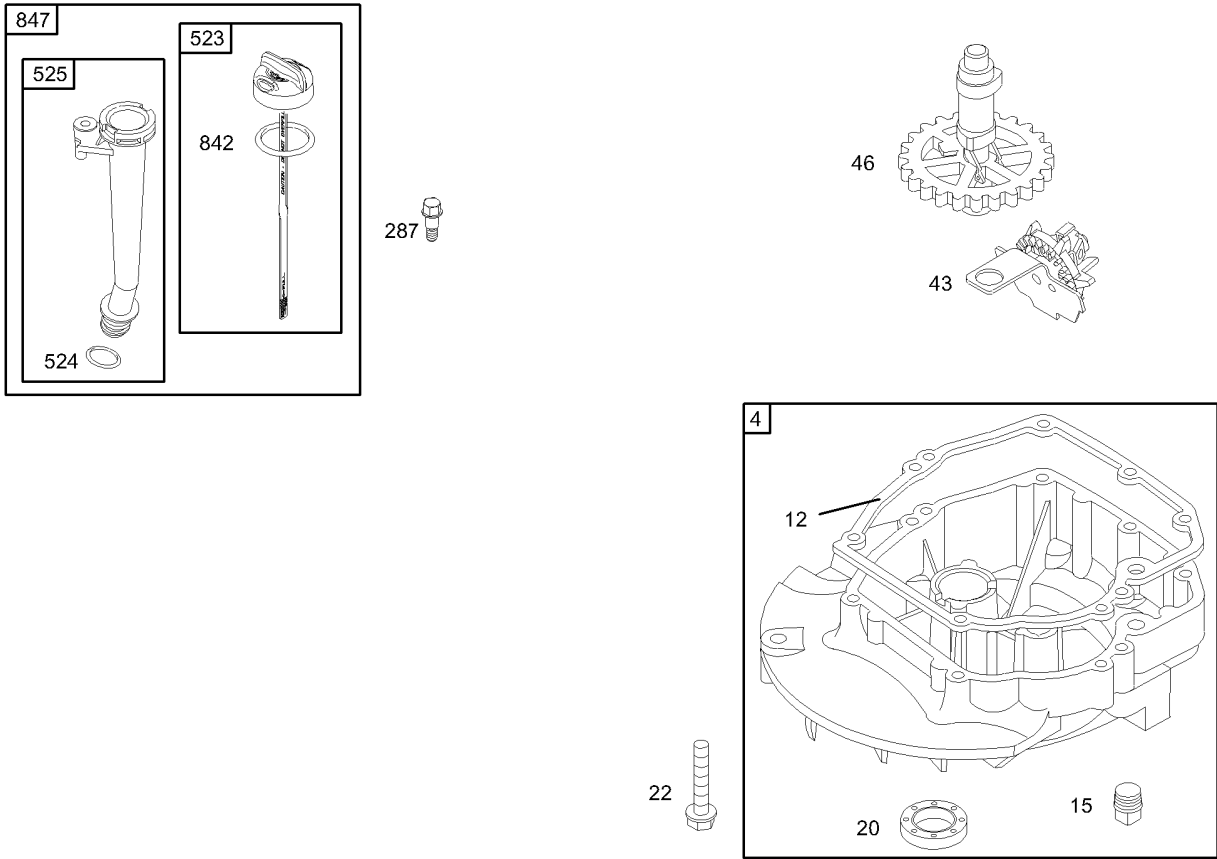


Assemblies include all parts shown in frames.

Crankshaft Assembly Briggs and Stratton 122602-0120-E1

Ref	Part No.	Qty.	Description
⑥16	695950	1	Crankshaft
⑥24	222698	1	Key-flywheel
⑥25	499627	1	Piston Assembly (Standard)
⑥	692788	1	Piston Assembly (.010 Oversize)
⑥	692789	1	Piston Assembly (.020 Oversize)
⑥	692790	1	Piston Assembly (.030 Oversize)
⑥26	499631	1	Ring Set (Standard)
⑥	692785	1	Ring Set (.010in Oversize)
⑥	692786	1	Ring Set (.020in Oversize)
⑥	692787	1	Ring Set (.030in Oversize)
⑥27	691866	1	Lock-piston Pin
⑥28	499423	1	Piston Pin (Standard)
⑥29	499424	1	Connecting Rod (Standard)
⑥32	691664	1	Screw (Connecting Rod)
⑥32A	695759	1	Screw (Connecting Rod)
⑥48	694898	1	Short Block
⑥146	690979	1	Timing Key
⑥741	691830	1	Gear-timing

--	--	--	--

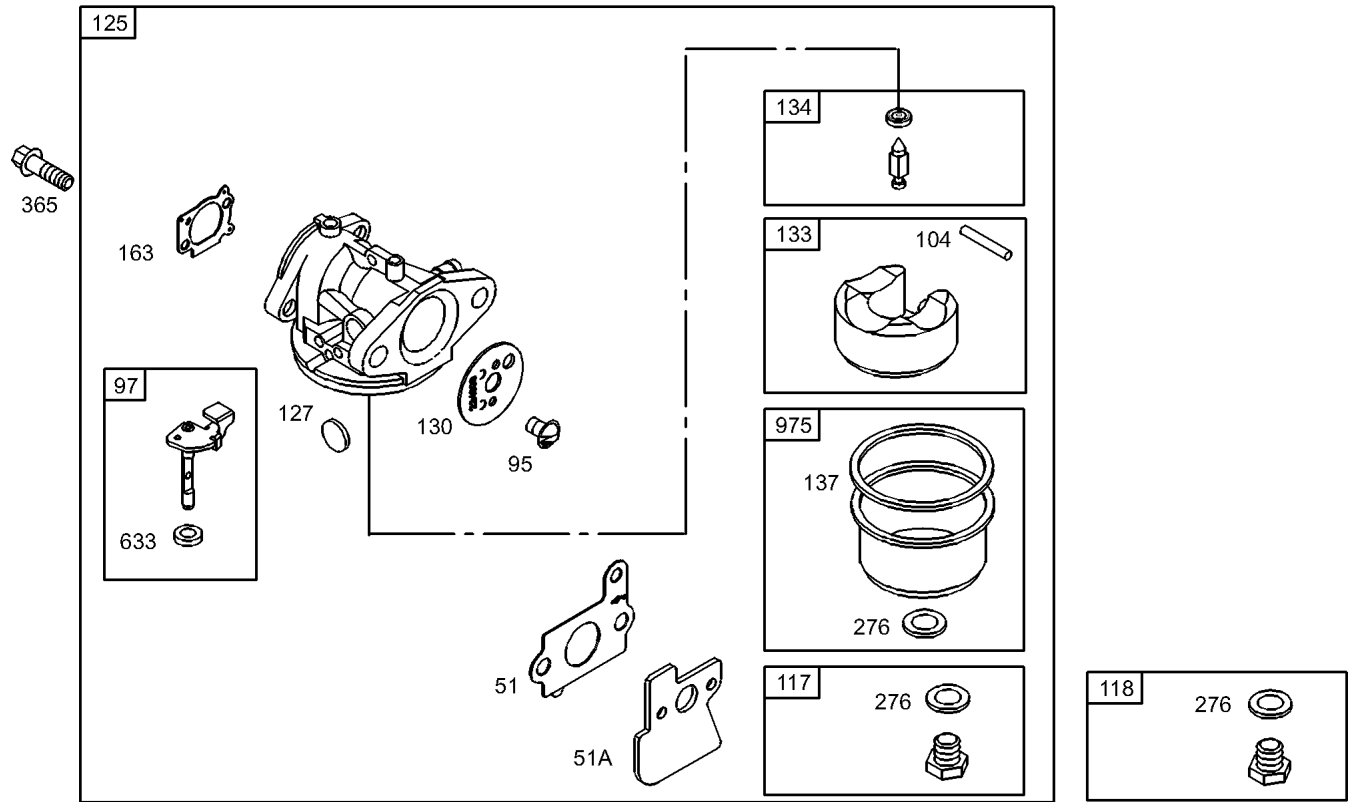


Assemblies include all parts shown in frames.

Crankcase Assembly Briggs and Stratton 122602-0120-E1

Ref	Part No.	Qty.	Description
④	499619	1	Sump-engine
⑫	692232	1	Gasket-crankcase (.015 Thick, Std.)
⑮	691680	1	Plug-drain, Oil
⑳	399781	1	Seal-oil
㉒	691092	1	Screw (Engine Sump)
㉓	691997	1	Slinger-governor/oil
㉔	694039	1	Camshaft
㉔	690940	1	Screw (Dipstick Tube)
㉕	499621	1	Dipstick
㉕	692296	1	Dipstick Tube Seal
㉕	495265	1	Dipstick Tube
㉕	691031	1	Seal-O Ring Seal (Dipstick Tube)
㉕	692047	1	Dipstick/ Tube ASM

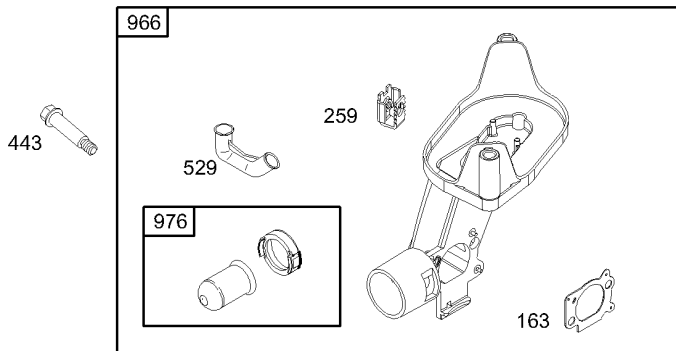
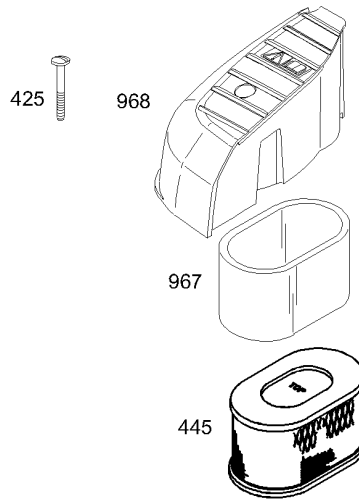
--	--	--	--



Carburetor Assembly Briggs and Stratton 122602-0120-E1

Ref	Part No.	Qty.	Description
2 51 4 5	692668	1	Gasket-intake
2 51A 4 5	692799	1	Gasket-intake
6 95	691636	1	Screw
6 97	499682	1	Shaft-throttle
4 6 104	691242	1	Pin-float Hinge
6 117	498978	1	Jet-main (Standard)
6 118	498975	1	Jet-main (High Altitude)
6 125	694202	1	Carburetor
4 6 127	694468	1	Plug-welch
6 130	691203	1	Valve-throttle
6 133	398187	1	Float-carburetor
4 6 134	398188	1	Kit-needle/seat
4 5 137 6	693981	1	Gasket-float Bowl
2 5 163 4 5	691894	1	Gasket-air Cleaner
4 5 276 6	271716	1	Washer-sealing
6 365	691136	1	Screw (Carburetor)
4 5 633 6	691321	1	Seal-choke/throttle Shaft
6 975	493640	1	Bowl-float

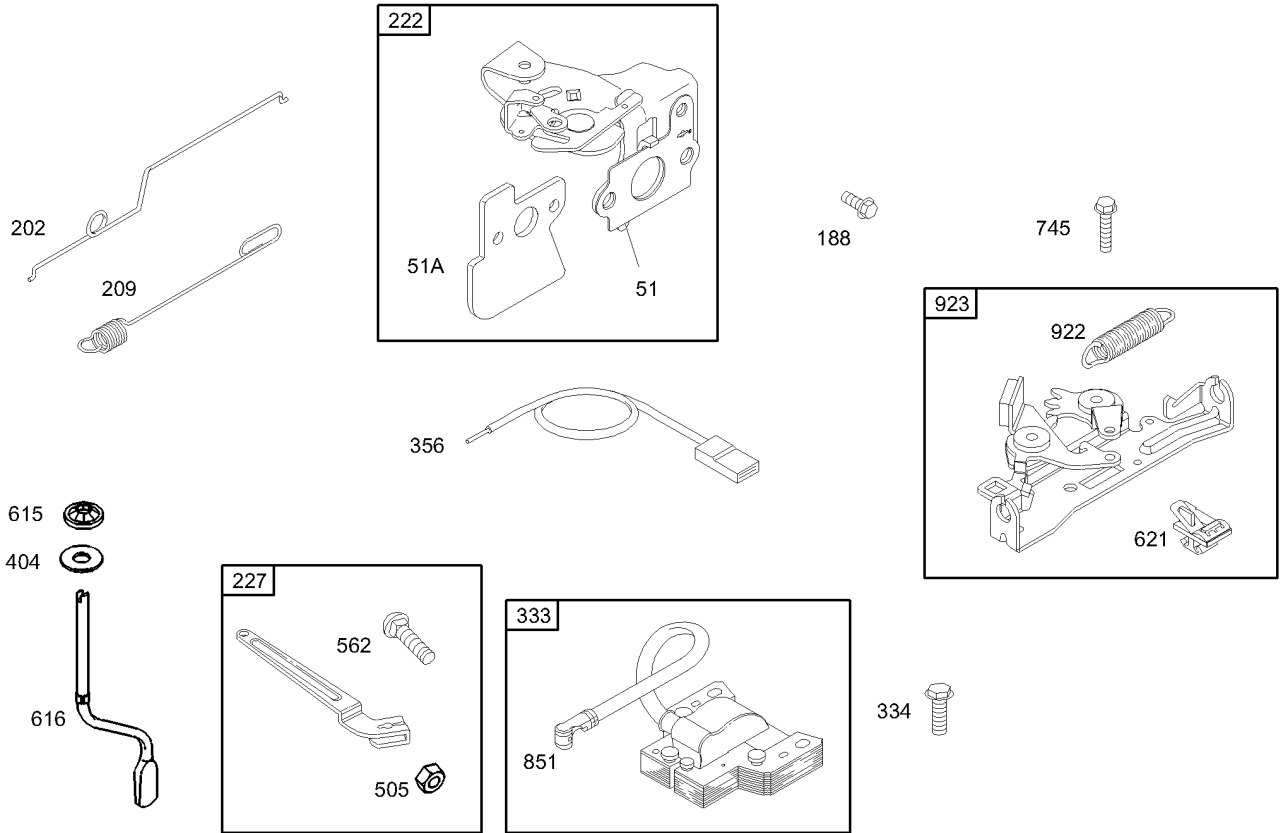
--	--	--	--



Assemblies include all parts shown in frames.

Air Cleaner Assembly Briggs and Stratton 122602-0120-E1

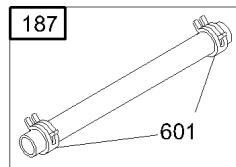
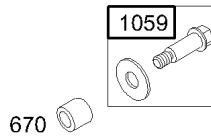
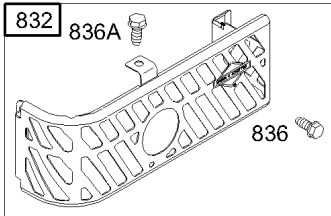
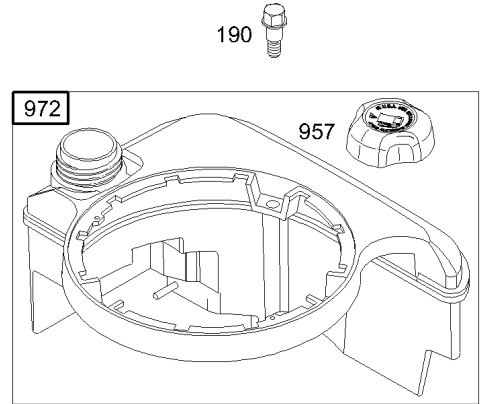
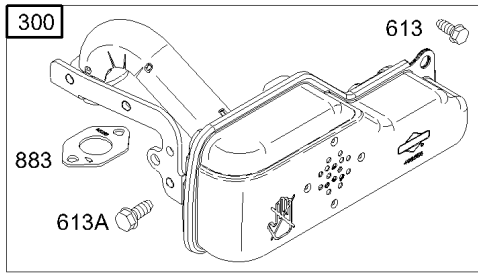
Ref	Part No.	Qty.	Description				
2 ⑤ 163 ④ ⑤	691894	1	Gasket-air Cleaner				
⑥ 259	691189	1	Bracket-casing Clamp				
⑥ 425	690244	1	Screw (Air Cleaner Cover)				
⑥ 443	690255	1	Screw (Air Cleaner Primer Bracket)				
⑥ 445	690610	1	Filter-air Cleaner Cartridge				
⑥ 529	692937	1	Grommet				
⑥ 966	690243	1	Base-air Cleaner Primer				
⑥ 967	273356	1	Pre-cleaner Filter				
⑥ 968	692692	1	Cover-air Cleaner				
⑥ 976	694395	1	Primer-carburetor				



Assemblies include all parts shown in frames.

Governor Assembly Briggs and Stratton 122602-0120-E1

Ref	Part No.	Qty.	Description
2 51 4 5	692668	1	Gasket-intake
2 51A 4 5	692799	1	Gasket-intake
6 188	693168	1	Screw (Control Bracket)
6 202	691303	1	Link-mechanical Governor
6 209	691292	1	Spring-governor
6 222	692723	1	Bracket-control
6 227	690783	1	Lever-governor Control
6 333	802574	1	Armature-magneto
6 334	691061	1	Screw
6 356	692390	1	Stop Wire
6 404	690272	1	Washer (Governor Crank)
6 505	231082	1	Nut (Governor Control Lever)
6 562	92613	1	Bolt-Lever
6 615	690340	1	Retainer-governor Shaft
6 616	691308	1	Crank-governor
6 621	692310	1	Switch-stop
6 745	691648	1	Screw Brake)
6 851	493880	1	Terminal-spark Plug
6 922	691831	1	Spring-brake
6 923	691994	1	Brake

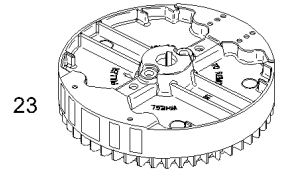
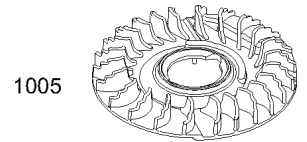
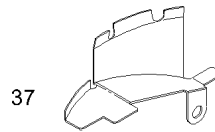
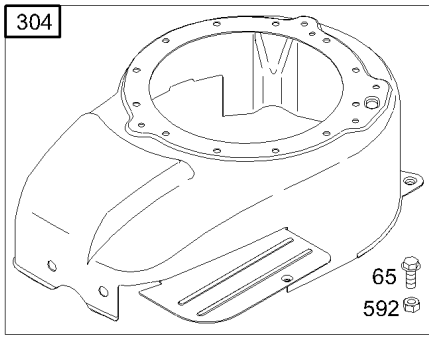
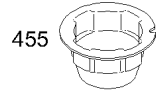
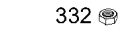
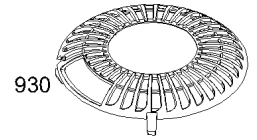
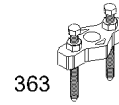
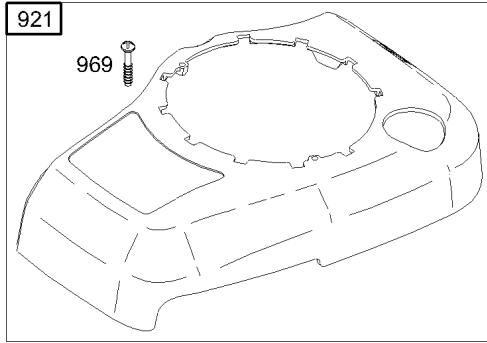


Assemblies include all parts shown in frames.

Muffler and Fuel Tank Assembly Briggs and Stratton 122602-0120-E1

Ref	Part No.	Qty.	Description
⑥187	691050	1	Line—fuel Cut To Required Length
⑥190	690940	1	Screw (Dipstick Tube)
⑥300	694248	1	Muffler
⑥601	95162	1	Clamp—hose
⑥613	691108	1	Screw
⑥613A	691140	1	Screw (Muffler)
⑥670	692294	1	Spacer—fuel Tank
⑥832	691466	1	Guard—muffler
⑥836	690960	1	Screw
⑥836A	691147	1	Screw (Muffler Guard)
②③⑥883	691893	1	Exhaust Gasket
⑥957	692046	1	Cap—fuel Tank
⑥972	499618	1	Tank—fuel
⑥1059	692311	1	Kit—screw/washer

--	--	--	--

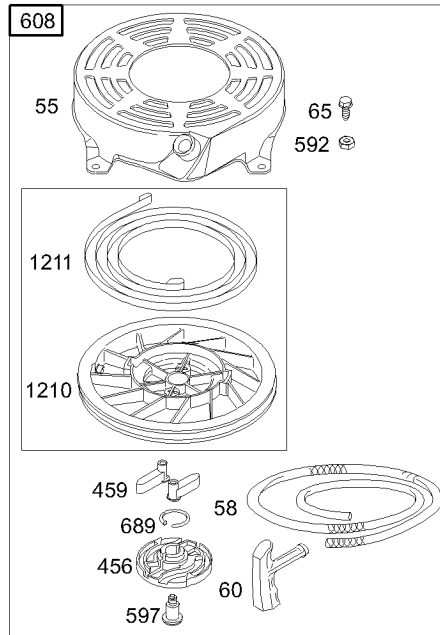


1036 Emission Label

Assemblies include all parts shown in frames.

Blower Housing Assembly Briggs and Stratton 122602-0120-E1

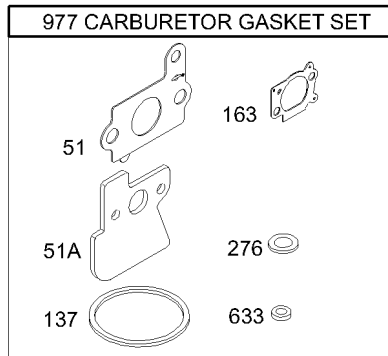
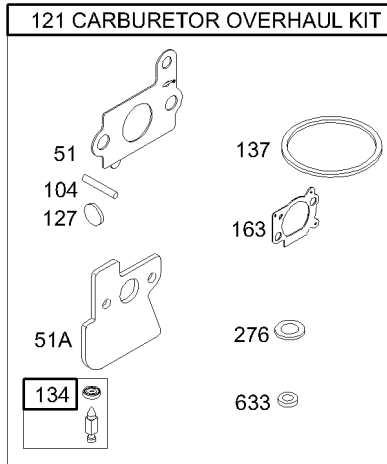
Ref	Part No.	Qty.	Description
⑥23	696569	1	Flywheel
⑥37	694086	1	Guard-flywheel
⑥65	690837	1	Screw (Rewind Starter)
⑥78	691108	1	Screw
⑥304	499677	1	Housing-blower
⑥305	690960	1	Screw
⑥332	690662	1	Nut (Flywheel)
⑥363	19069	1	Puller-flywheel
⑥455	695161	1	Cup/screen ASM
⑥592	690800	1	Nut (Rewind Starter)
⑥921	692699	1	Cover-blower Housing
⑥930	692691	1	Guard-rewind
⑥969	691138	1	Screw (Blower Housing Cover)
⑥1005	691346	1	Fan-flywheel
⑥1036	696767	1	Label-emission



Assemblies include all parts shown in frames.

Starter Assembly Briggs and Stratton 122602-0120-E1

Ref	Part No.	Qty.	Description				
55	691421	1	Housing-rewind Starter				
58	280399	1	Rope-starter (Cut To Required Length)				
60	281434	1	Grip-starter Rope				
65	690837	1	Screw (Rewind Starter)				
456	692299	1	Plate-pawl Friction				
459	281505	1	Ratchet-pawl				
592	690800	1	Nut (Rewind Starter)				
597	691696	1	Screw (Pawl Friction Plate)				
608	497680	1	Starter-rewind				
689	691855	1	Spring-friction				
1210	498144	1	Pulley/spring ASM (Spring)				
1211	498144	1	Pulley/spring ASM (Spring)				



Assemblies include all parts shown in frames.

Carburetor Overhaul Kit Assembly Briggs and Stratton 122602-0120-E1

Ref	Part No.	Qty.	Description				
2 51 4 5	692668	1	Gasket-intake				
2 51A 4 5	692799	1	Gasket-intake				
4 6 104 6 121	691242 692703	1 1	Pin-float Hinge Kit-carburetor Overhaul				
4 6 127	694468	1	Plug-welch				
4 6 134	398188	1	Kit-needle/seat				
4 5 137 6	693981	1	Gasket-float Bowl				
2 3 163 4 5	691894	1	Gasket-air Cleaner				
4 5 276 6	271716	1	Washer-sealing				
4 5 633 6	691321	1	Seal-choke/throttle Shaft				
6 977	692704	1	Gasket Set-carburetor				

NOTES

