

LAWN-BOY®

SilverPro Series® Lawnmower

Model No. 10323 - 240000001 and up.

Parts Catalog

Ordering Replacement Parts

To order replacement parts, please supply the part number, the quantity, and the description of each part desired.

Understanding Reference Numbers

Each Identified part in an illustration has a reference number. The reference number for a part also appears in the parts list, along with other information about the part.

This catalog uses two special reference number formats, one to indicate parts in a service assembly and another to indicate the quantity of a given part in an illustration.

Service Assembly Reference Numbers

Parts in service assemblies have reference numbers in the form a:b. The a represents the reference number of the entire service assembly and the b represents a sequential number unique to each part within the service assembly.

For example, a wheel assembly might be identified by reference number 6, the tire by 6:1, the valve by 6:2, and the wheel by 6:3. When you order the assembly identified by reference number 6, you receive all parts identified by reference numbers 6:1, 6:2, and 6:3. However, you may also order any part individually. Reference numbers of this type appear in illustrations and in part lists.

Reference Numbers Indicating Quantity

In an illustration, if a reference number indicates more than one part, the reference number has the form nX y. The n represents the quantity of the part, the X is the multiplication symbol, and the y represents the reference number.

For example, in an illustration, the reference number 2X 37 means that two of the parts identified by reference number 37 are indicated.

Contents

Description	Page	Description	Page
Housing Assembly 3	Engine Assembly 8
Gear Case Assembly No. 104-7672 4	Short Block Assembly No. 95-7636 10
Engine And Blade Assembly 5	Carburetor Assembly No. 98-7042 11
Gear Case and Wheel Assembly 6	Recoil Assembly No. 95-1781 12
Handle Assembly 7		

Part Description Abbreviations

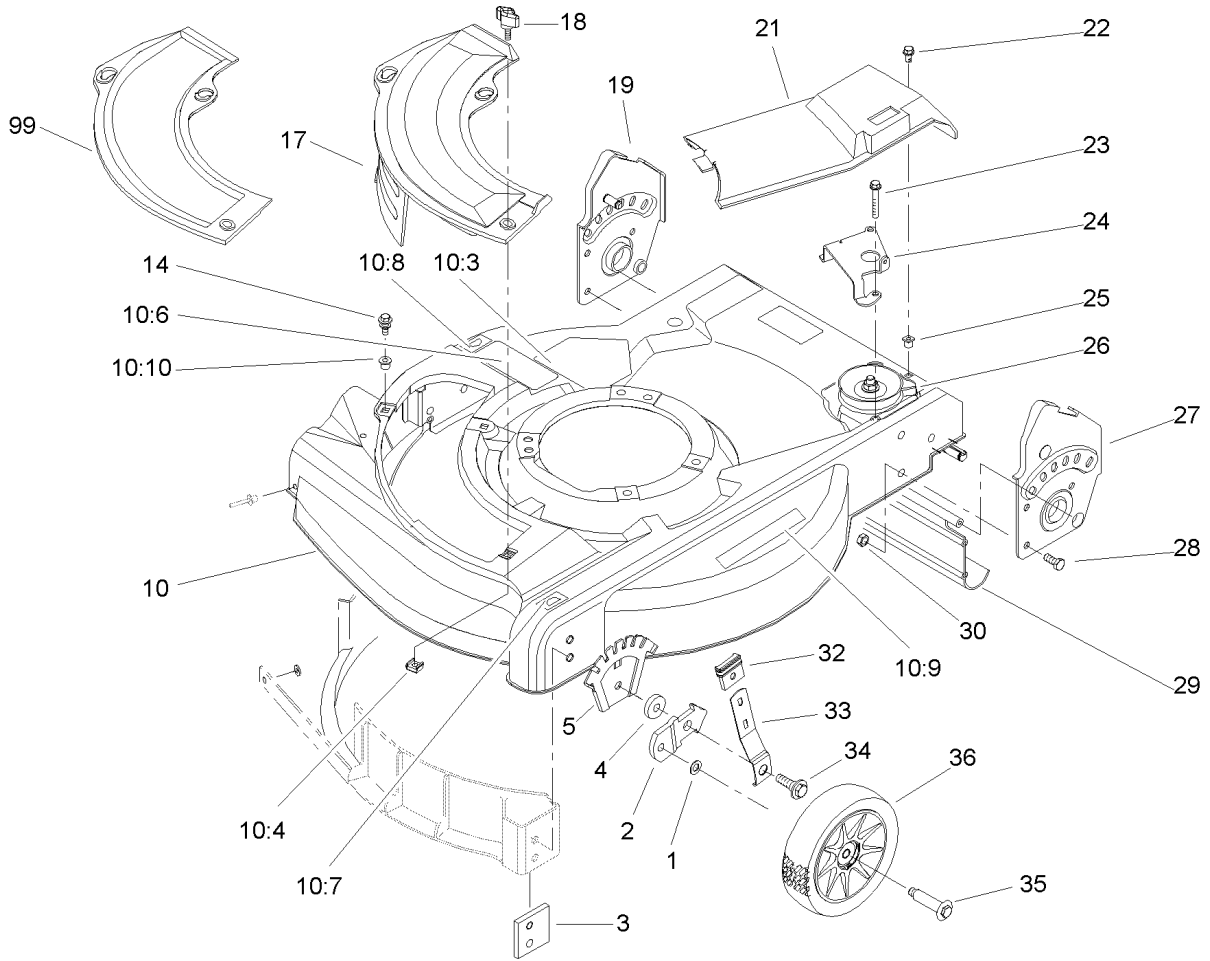
Part descriptions in this catalog may include the following abbreviations.

AR. as required	INC. incorporated
ASM. assembly	LH. left hand
CARR. carriage	NI. nylon insert
DEG. degrees	PPH. phillips pan head
FH. flat head	PTH. phillips truss head
GA. gauge	PTO. power take off
HF. hex flange	RH. right hand
HH. hex head	SFH. slotted fillister head
HHF. hex head flange	SHH. slotted hex head
HHFTF. hex head flange thread forming	SHWH. slotted hex washer head
HJ. hex jam	SPH. slotted pan head
HLH. hex lag head	SQH. square head
HOC. height-of-cut	SRH. slotted round head
HS. hex	STD. standard
HSBH. hex socket button head	TAP. self tapping
HSFH. hex socket flat head	TTH. torx truss head
HSH. hex socket head	WH. wing head
HWH. hex washer head	
HWHTF. hex washer head thread forming	
HYD. hydraulic	

Footnotes

❶ Not illustrated

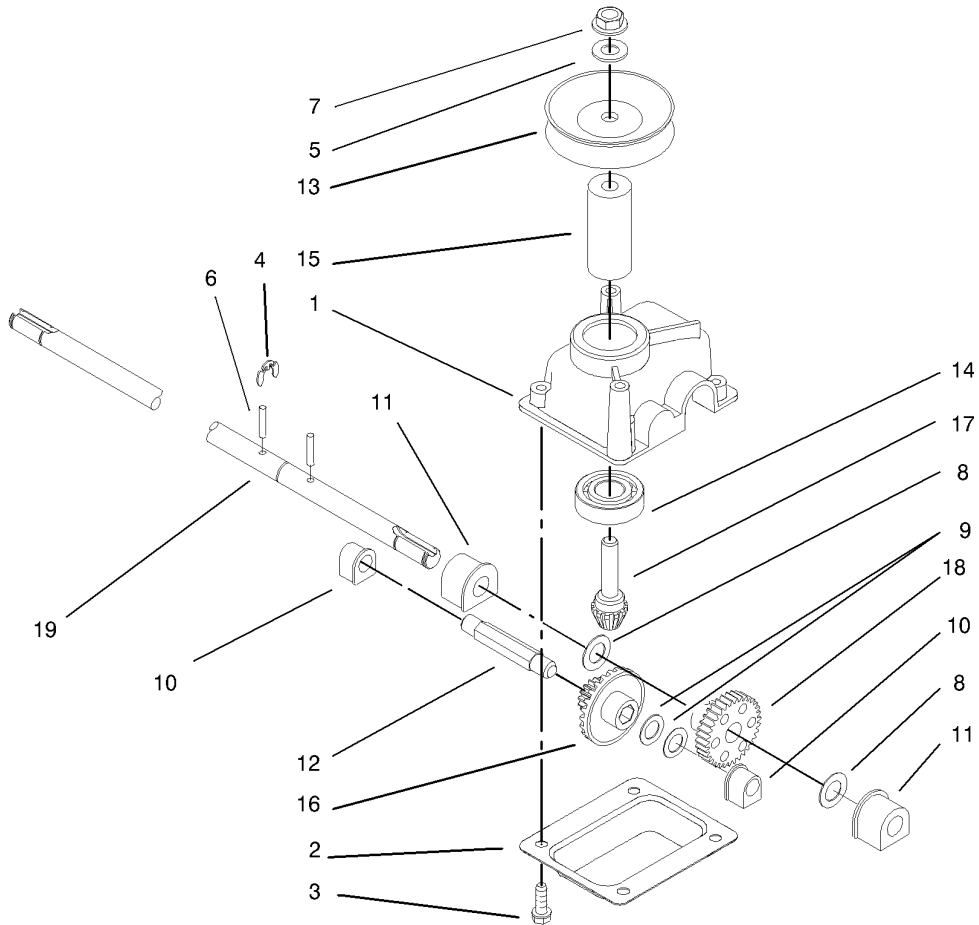
❷ Not serviced separately



Housing Assembly

Ref	Part No.	Qty.	Description
1	40-1940	2	Washer
2	95-7403-03	2	Bracket-Height Adjustment, Wheel
3	92-7731	2	Plate-Baffle
4	92-4890	2	Washer-Wheel
5	92-4881-03	2	Plate-Height, Adjustment
10	98-4472	1	Deck ASM
10:3	43-8480	1	Decal-Danger
10:4	613765	1	Nut-Cage
10:6	99-6018	1	Decal-Warning
10:7	92-2914	1	Decal-Hoc, LH
10:8	92-2915	1	Decal-Hoc, RH
10:9	93-7250	1	Decal-Warning
10:10	94-1610	2	Nut-Clip
14	614677	2	Screw-Sems
17	92-8630	1	Plate-Mulch
18	98-8332	1	Knob
19	105-8602	1	RH Bracket ASM
21	95-7413	1	Cover-Drive
22	92-9665	1	Screw-Thread Cut
23	65-5221	2	Screw-HWHTF
24	95-1732-03	1	Guide-Transmission
25	605120	1	Nut-Clip
26	104-7672	1	Gear Case ASM
27	105-8604	1	LH Bracket ASM

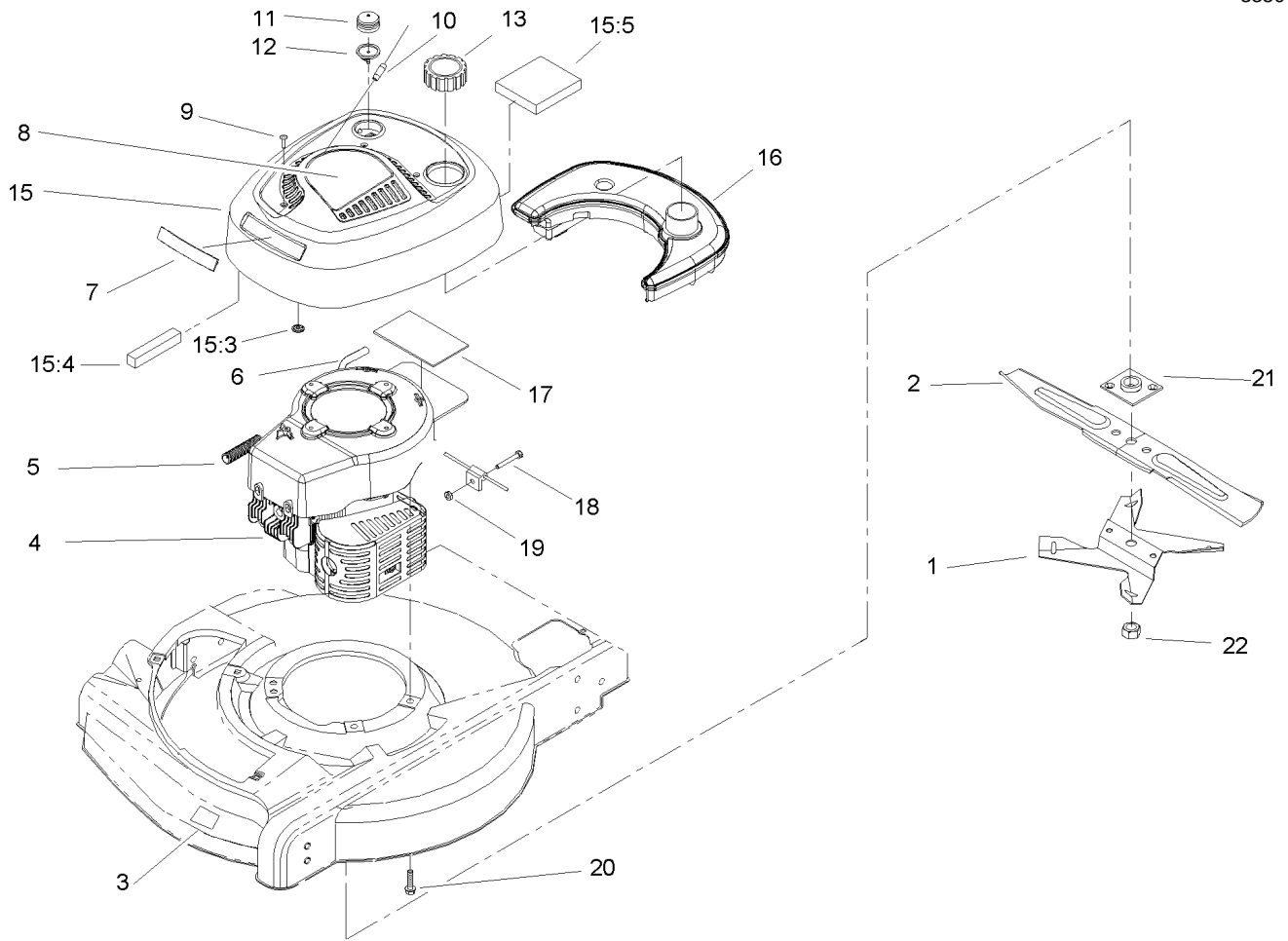
Ref	Part No.	Qty.	Description
28	322-3	6	Screw-HH
29	92-8647	1	Shield-Trailing
30	3296-29	6	Nut-Lock, NI
32	92-1008	2	Knob-Lever, Height Adjustment
33	614687	2	Arm-Front Spring
34	614672	2	Bolt-Shoulder
35	92-1099	2	Bolt-Shoulder
36	684776	2	Wheel And Tire ASM
99	95-7052	1	Plate-Opening, Chute



Gear Case Assembly No. 104-7672

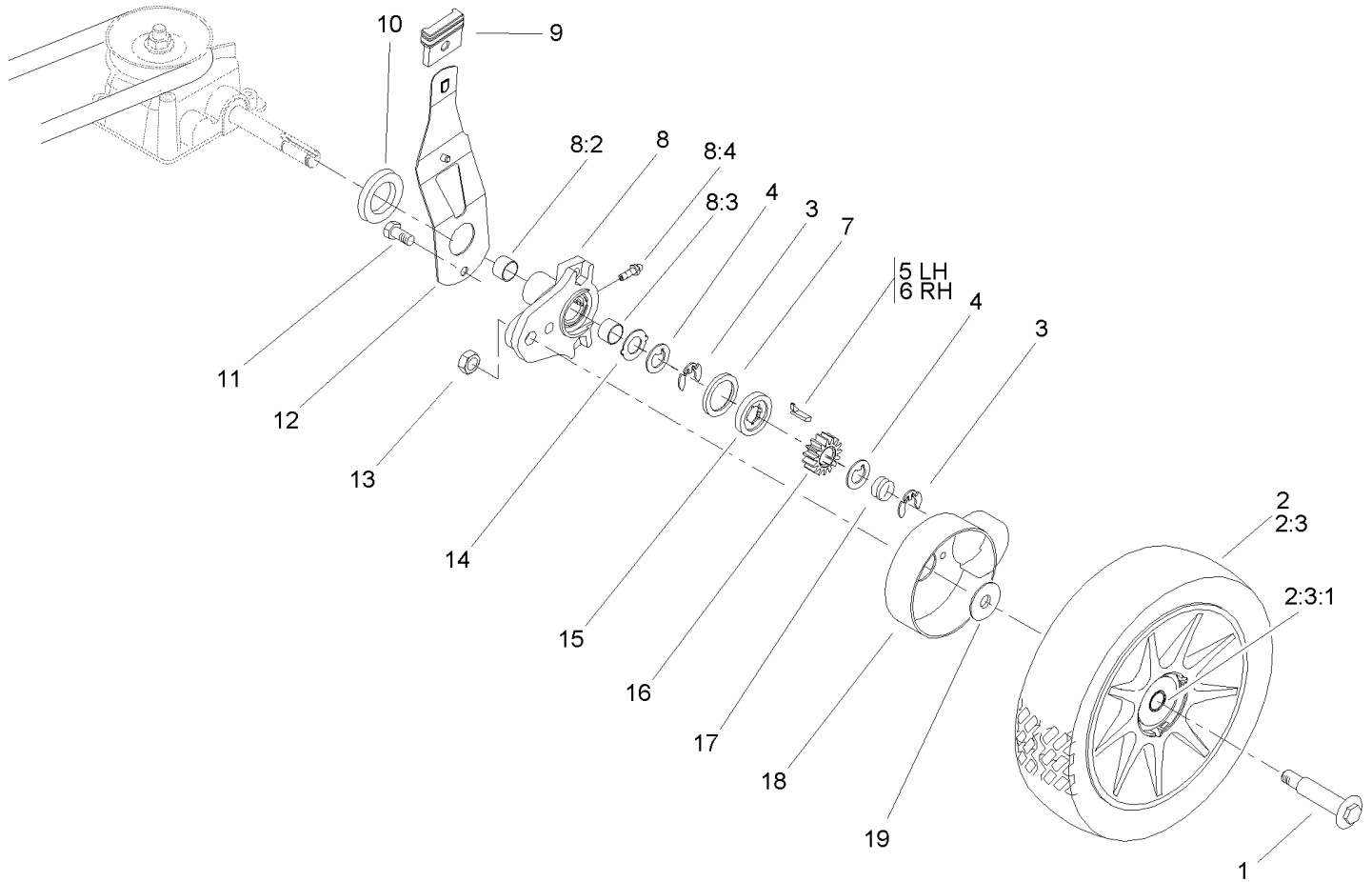
Ref	Part No.	Qty.	Description
1	104-7619	1	Case-Gear
2	614668-03	1	Cover-Case, Gear
3	32144-4	4	Screw-HWH
4	32151-68	1	Ring-Retaining
5	3256-24	1	Washer-Flat
6	3285-19	2	Pin-Groove
7	3296-5	1	Nut-Lock, NI
8	36-4780	2	Washer
9	36-4791	2	Washer-Thrust
10	60-8750	2	Bushing
11	60-8850	2	Bushing
12	614696	1	Shaft-Intermediate
13	614669	2	Half-Pulley
14	100-1048	1	Bearing-Ball
15	95-5550	1	Spacer-Pulley
16	104-7668	1	Gear-15t Spur, 37t Bevel
17	104-7669	1	Gear-Pinion, bevel
18	614596	1	Gear
19	104-7670	1	Shaft-Output

--	--	--	--



Engine And Blade Assembly

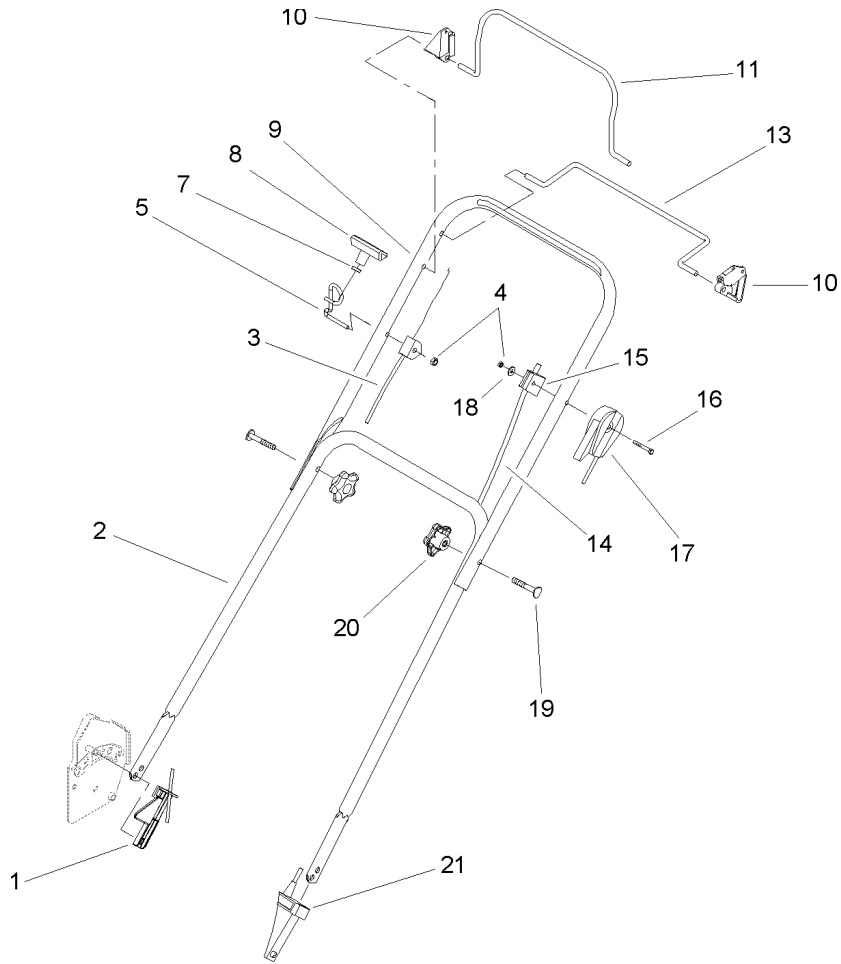
Ref	Part No.	Qty.	Description
1	99-6351-03	1	Fan-Mulching
2	612543-03	1	Blade
3	104-7955	1	Decal-Deck
4		1	Engine ASM
5	93-4306	1	Spring-Compression
6	612782	1	Line-Fuel
7	92-8615	1	Applique-Shroud
8	95-7417	1	Decal-Recoil
9	95-7621	3	Screw
10	92-1701	1	Stop-Rope
11	44-2750	1	Body-Primer
12	66-7460	1	Bulb-Primer
13	98-8344	1	Fuel And Oil Cap ASM
15	100-6398	1	Shroud And Recoil Cover ASM
15:3	613329	2	Nut-Push
15:4	99-1522	2	Strip-Foam
15:5	99-1521	1	Strip-Foam
16	95-1897	1	Tank
17	98-1386	1	Pad-Foam
18	314576	1	Screw
19	306531	1	Nut-Hex
20	611774	3	Screw-HH
21	677525	1	Plate And Collar ASM
22	603164	1	Nut-Blade



Gear Case and Wheel Assembly

Ref	Part No.	Qty.	Description
1	92-1057	2	Bolt-Shoulder
2	92-1042	2	Wheel And Tire ASM
2:3		1	Wheel ASM
2:3:1	27-6250	2	Bushing
3	65-2720	4	Klipring-Locking
4	65-4740	4	Washer-Thrust, Keyed
5	66-6050	1	Key-Rocking, LH
6	66-6040	1	Key-Rocking, RH
7	65-4710	2	Ring-Friction
8	92-7746	2	Rear Height Adjustment Arm ASM
8:2	70-9760	1	Bushing
8:3	47-2900	1	Bushing
8:4	302-56	1	Fitting-Grease
9	92-1008	2	Knob-Lever, Height Adjustment
10	614447	2	Spacer-Axle Shaft
11	32144-85	2	Screw-HWH
12	92-1004	2	Rear Spring Arm ASM
13	603773	2	Nut
14	65-4730	2	Washer-Arm, Pivot
15	65-4760	2	Washer-Clutch
16	65-4750	2	Gear-Pinion
17	65-4720	2	Spring-Compression
18	94-1609	2	Cover-Wheel
19	614426	2	Washer-Stepped

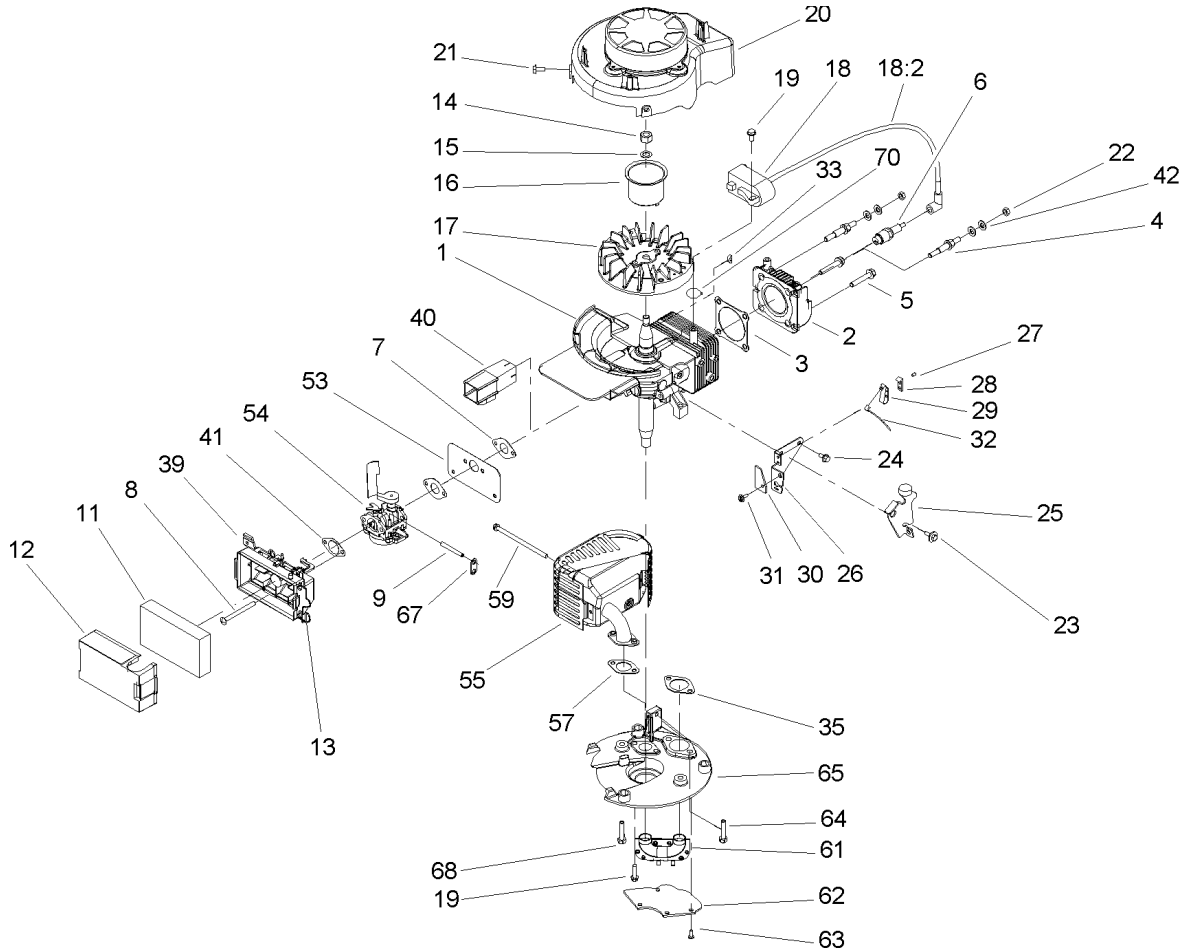
--	--	--	--



Handle Assembly

Ref	Part No.	Qty.	Description
1	104-1013	1	Guard-Cable
2	614643-05	1	Handle-Lower
3	100-5983	1	Cable-Brake
4	3296-73	2	Nut-Lock, NI
5	106-8330	1	Guide-Rope
7	612824	1	Clip-Starter
8	612825	1	Handle-Start
9	100-2888-05	1	Handle-Upper
10	107-0757	2	Stop-Pivot
11	93-4184-03	1	Bail-Brake
13	92-1001-03	1	Bail-Control
14	100-5990	1	Cable-Ground Speed
15	92-7729	1	Anchor-Cable, Upper
16	321-55	1	Screw-HH
17	100-5987	1	Throttle Control ASM
18	3256-1	1	Washer-Flat
19	614697	2	Screw
20	106-4161	2	Knob-Handle
21	93-7380	1	Anchor-Cable

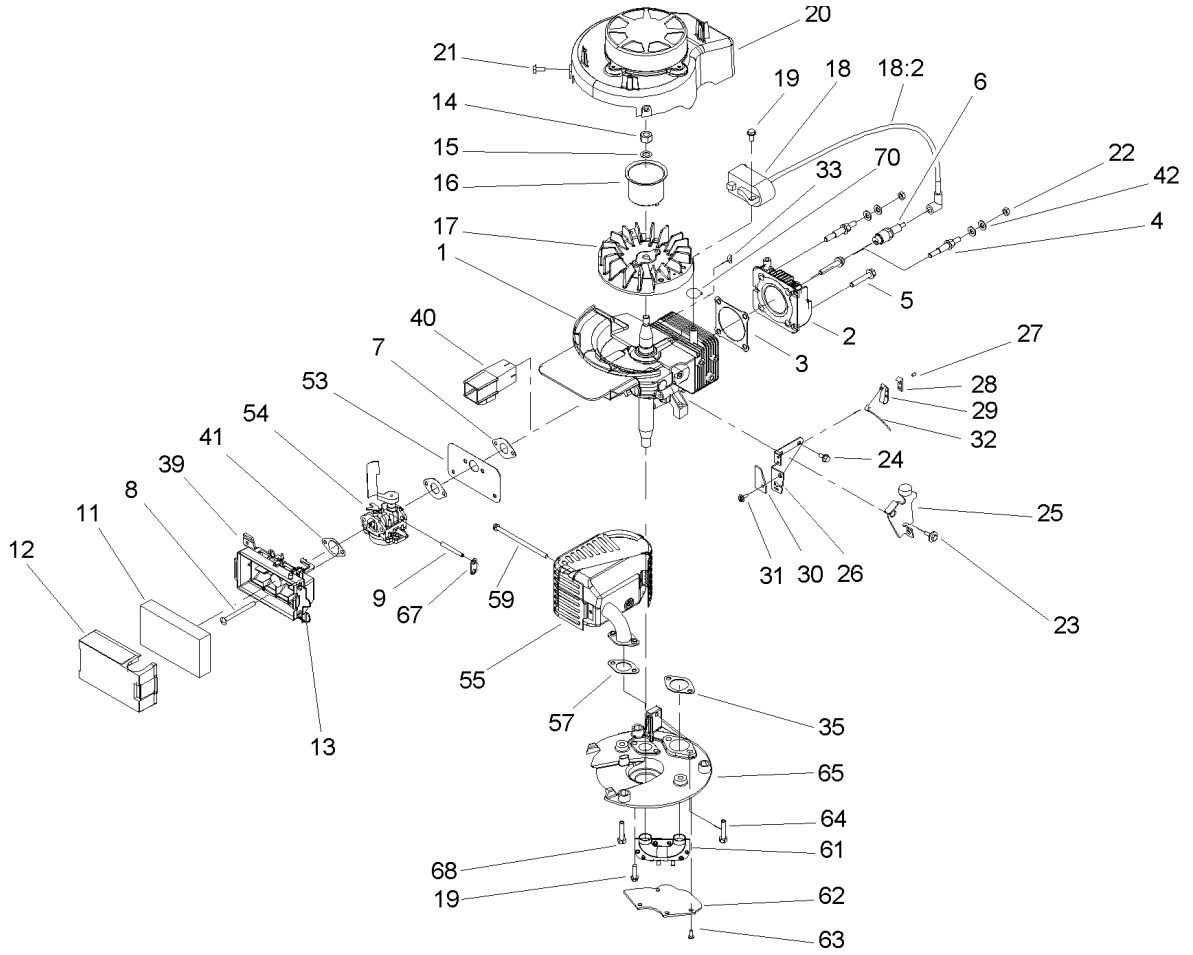
--	--	--	--



Engine Assembly

Ref	Part No.	Qty.	Description
1	95-7636	1	Short Block ASM
2	94-5776	1	Head-Cylinder
3	94-5778	1	Gasket-Head
4	94-5779	2	Stud
5	94-5780	2	Screw-HWH
6	50-1170	1	Spark Plug
7	94-5795	2	Gasket-Intake
8	612507	2	Screw
9	95-1861	1	Hose-Primer
11	95-5574	1	Filter-Air
12	95-5577	1	Cover-Filter, Air
13	610383	1	Retainer-Cover, Filter
14	130743	1	Nut
15	3253-6	1	Washer-Lock
16	95-1786	1	Cup-Starter
17	95-1866	1	Flywheel
18	99-2911	1	Module-Ignition
18:2	99-6719	1	Lead-Tension, High
19	613208	4	Screw
20	95-1868	1	Shroud-Recoil
21	700094	2	Screw-HH
22	146501	2	Nut
23	95-1870	1	Screw-Shoulder
24	95-1871	1	Screw-HWH

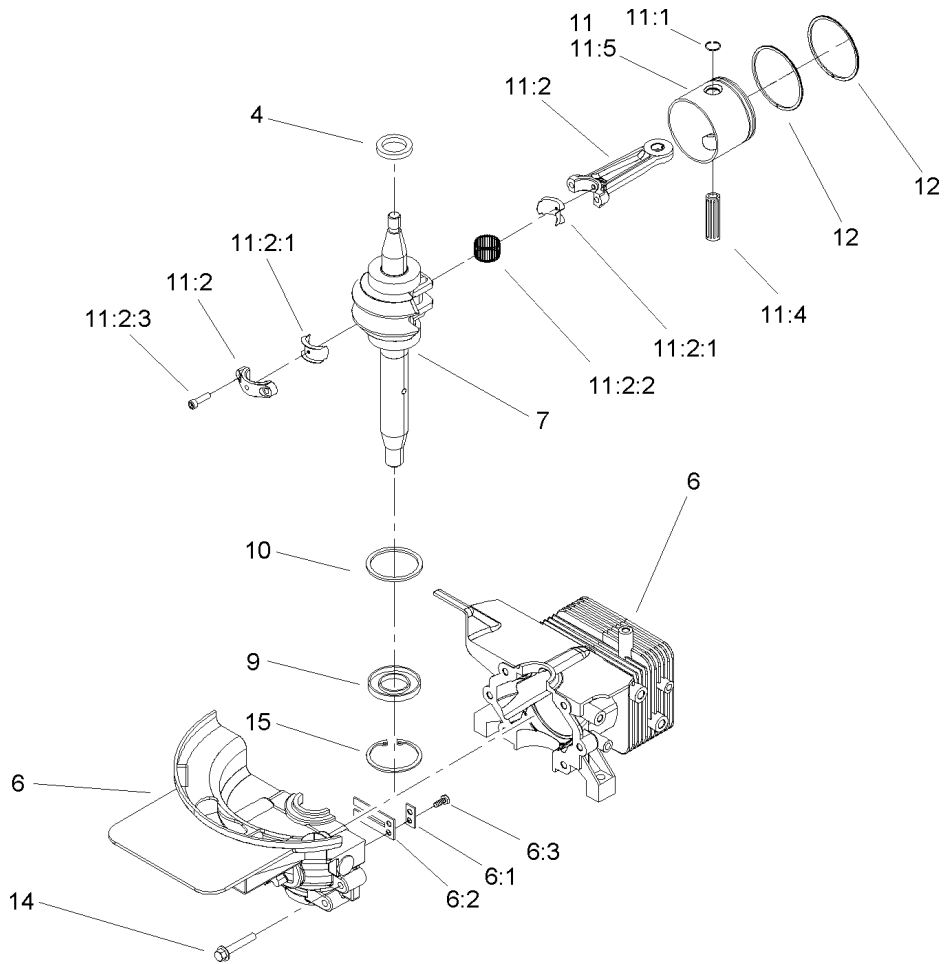
Ref	Part No.	Qty.	Description
25	93-4312	1	Plate-Brake
26	84-7820	1	Plate-Brake
27	3290-459	2	Rivet-Plastic
28	92-2925	1	Strap-Insulation
29	60-9010	1	Strap-Ground
30	100-2929	1	Stop-Strap, Ground
31	12-5450	1	Screw
32	98-7037	1	Lead Wire-Switch, Brake
33	607199	1	Key
35	95-1778	1	Gasket-Exhaust
39	95-5588	1	Air Base ASM
40	95-5578	1	Tunnel-Inlet
41	95-7613	1	Gasket-Filter
42	3290-456	4	Washer-Belleville
51	609790	1	Sealer-Loctite 50cc
53	98-1388	1	Shield-Carb
54	98-7042	1	Carburetor ASM
55	100-9514	1	Muffler And Guard
57	98-1392	1	Gasket
59	611228	1	Bolt-Console
61	98-1557	1	Pipe-Transfer
62	98-1591	1	Cover-Muffler
63	3234-13	4	Screw-HHF
64	322-17	2	Screw-HH



Engine Assembly (continued)

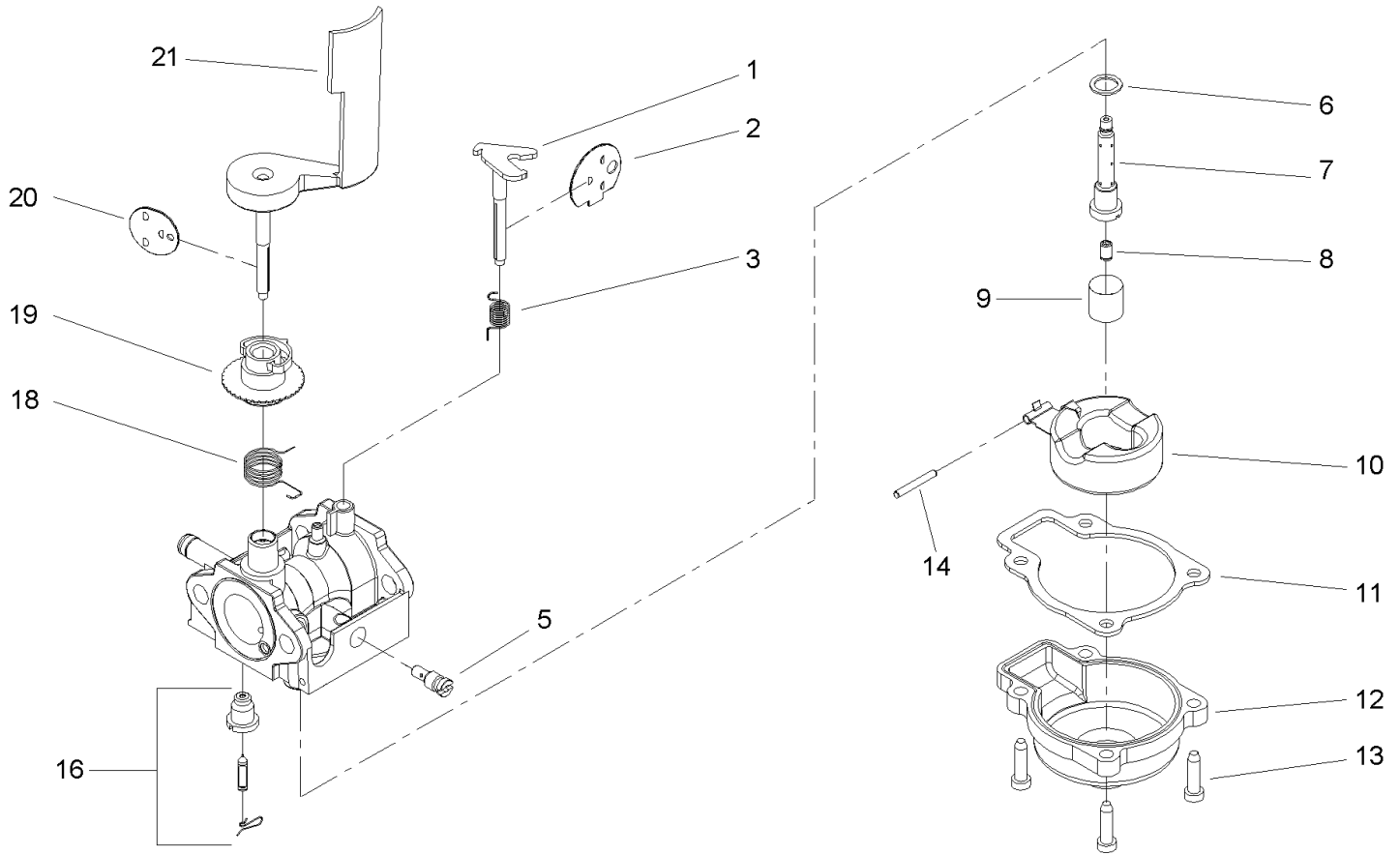
Ref	Part No.	Qty.	Description
65	98-1383	1	Plate-Mounting
67	95-7615	1	Hose-Retainer
68	613233	2	Screw
70	317893	1	Strap-Tie

--	--	--	--



Short Block Assembly No. 95-7636

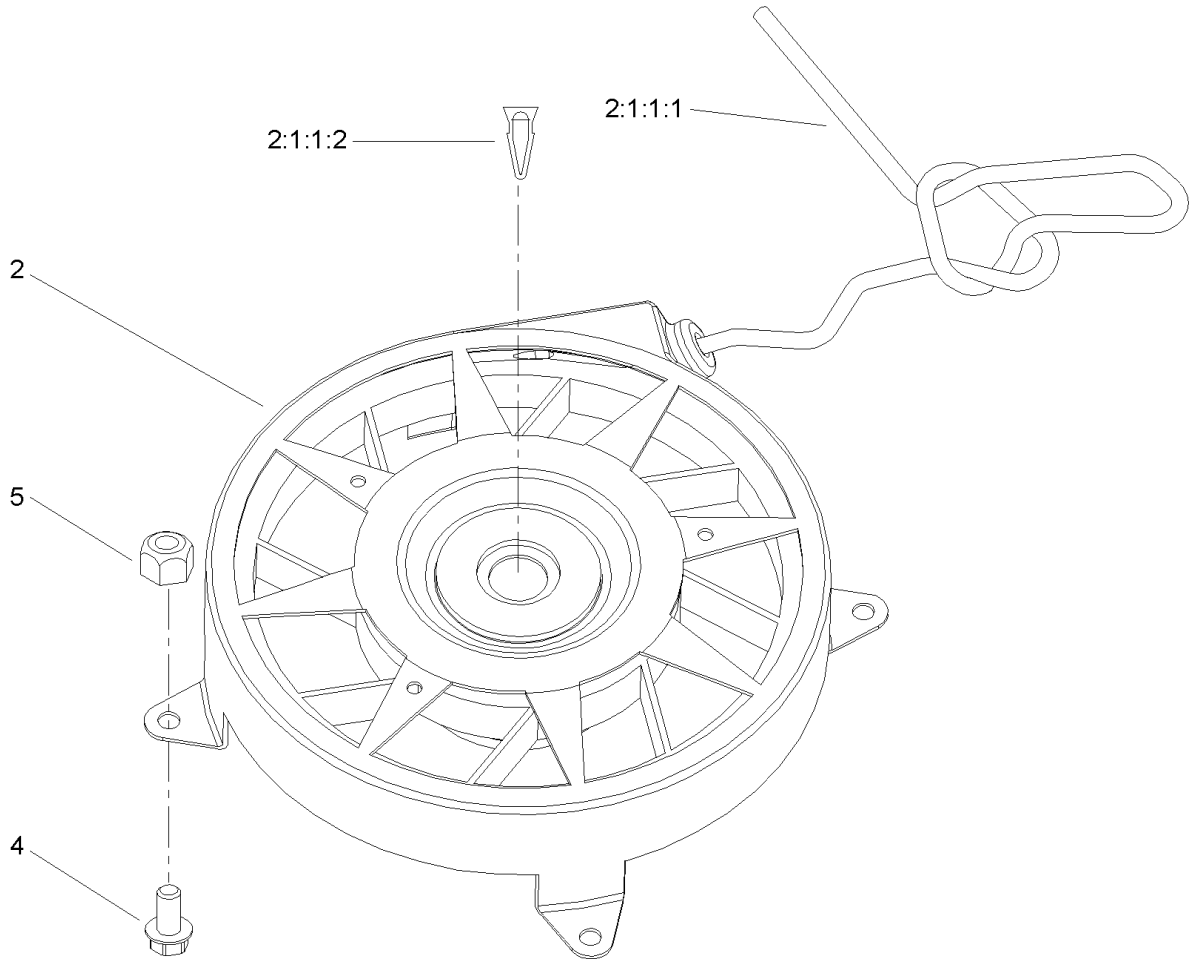
Ref	Part No.	Qty.	Description
①2	609790	1	Sealer-Loctite 50cc
①2	610372	1	Sealer-Loctite 6cc
4	611396	1	Seal-Oil
6	95-7631	1	Cylinder And Crankcase ASM
6:1	602587	1	Plate-Backup, Reed
6:2	602588	1	Reed-Carburetor
6:3	612872	2	Screw-HH
7	99-2920	1	Crankshaft And Bearing ASM
9	94-5764	1	Seal-Oil
10	94-5765	1	Ring-Retaining, Ext.
②11		1	Piston And Connecting Rod ASM
11:1	303712	2	Ring-Retaining
11:2	95-7629	1	Connecting Rod ASM
11:2:1	677982	1	Liner ASM
11:2:2	683911	1	Bearing-Needle
11:2:3	611393	2	Screw-HSH
11:4	94-5774	1	Pin-Wrist
11:5	100-2916	1	Piston And Rings ASM
12	100-2917	1	Set-Ring
14	94-5781	6	Screw-HHF
15	32151-75	1	Ring-Retaining



Carburetor Assembly No. 98-7042

Ref	Part No.	Qty.	Description
1	95-5581	1	Shaft-Choke
2	94-5788	1	Disc-Choke
3	95-5583	1	Spring-Choke
5	98-7041	1	Pilot-Jet 37.5
6	612383	1	Washer
7	98-7001	1	Nozzle
8	98-1357	1	Jet-Main
9	94-5787	1	Filter-Fuel
10	95-1899	1	Float And Arm ASM
11	98-1362	1	Gasket
12	92-9691	1	Chamber-Float
13	608850	4	Screw-HH
14	92-6389	1	Pin-Straight
16	92-9697	1	Valve/seat-Float
18	98-7011	1	Spring-Throttle
19	610834	1	Collar-Adjust, Airvane
20	104-4431	1	Throttle-Disc
21	104-4430	1	Airvane And Shaft ASM

--	--	--	--



Recoil Assembly No. 95-1781

Ref	Part No.	Qty.	Description				
2	99-6713	1	Recoil ASM				
2:1		1	Recoil And Decal ASM				
2:1:1		1	Recoil				
2:1:1:1	613773	1	Rope-Recoil				
2:1:1:2	100-9540	1	Retainer And Clip ASM				
4	3290-321	4	Screw-HWH				
5	3296-2	4	Nut-Lock				

NOTES

NOTES

NOTES

LAWN-BOY®