



Turf Sweeper 4800

Model No. 44044 - 230000501 and up.

Parts Catalog

Ordering Replacement Parts

To order replacement parts, please supply: the part number, the quantity, and the description of each part desired.

Understanding Reference Numbers

Each identified part in an illustration has a reference number. The reference number for a part also appears in the parts list, along with other information about the part.

This catalog uses two special reference number formats, one to indicate parts in a service assembly and another to indicate the quantity of a given part in an illustration.

Service Assembly Reference Numbers

Parts in service assemblies have reference numbers in the form **a:b**. The **a** represents the reference number of the entire service assembly and the **b** represents a sequential number unique to each part within the service assembly.

For example, a wheel assembly might be identified by reference number 6, the tire by **6:1**, the valve by **6:2**, and the wheel by **6:3**. When you order the assembly identified by reference number 6, you receive all parts identified by reference numbers 6:1, 6:2, and 6:3. However, you may also order any part individually. Reference numbers of this type appear in illustrations and in part lists.

Reference Numbers Indicating Quantity

In an illustration, if a reference number indicates more than one part, the reference number has the form **nX y**. The **n** represents the quantity of the part, the **X** is the multiplication symbol, and the **y** represents the reference number.

For example, in an illustration, the reference number **2X 37** means that two of the parts identified by reference number 37 are indicated.

Part Description Abbreviations

Part descriptions in this catalog may include the following abbreviations.

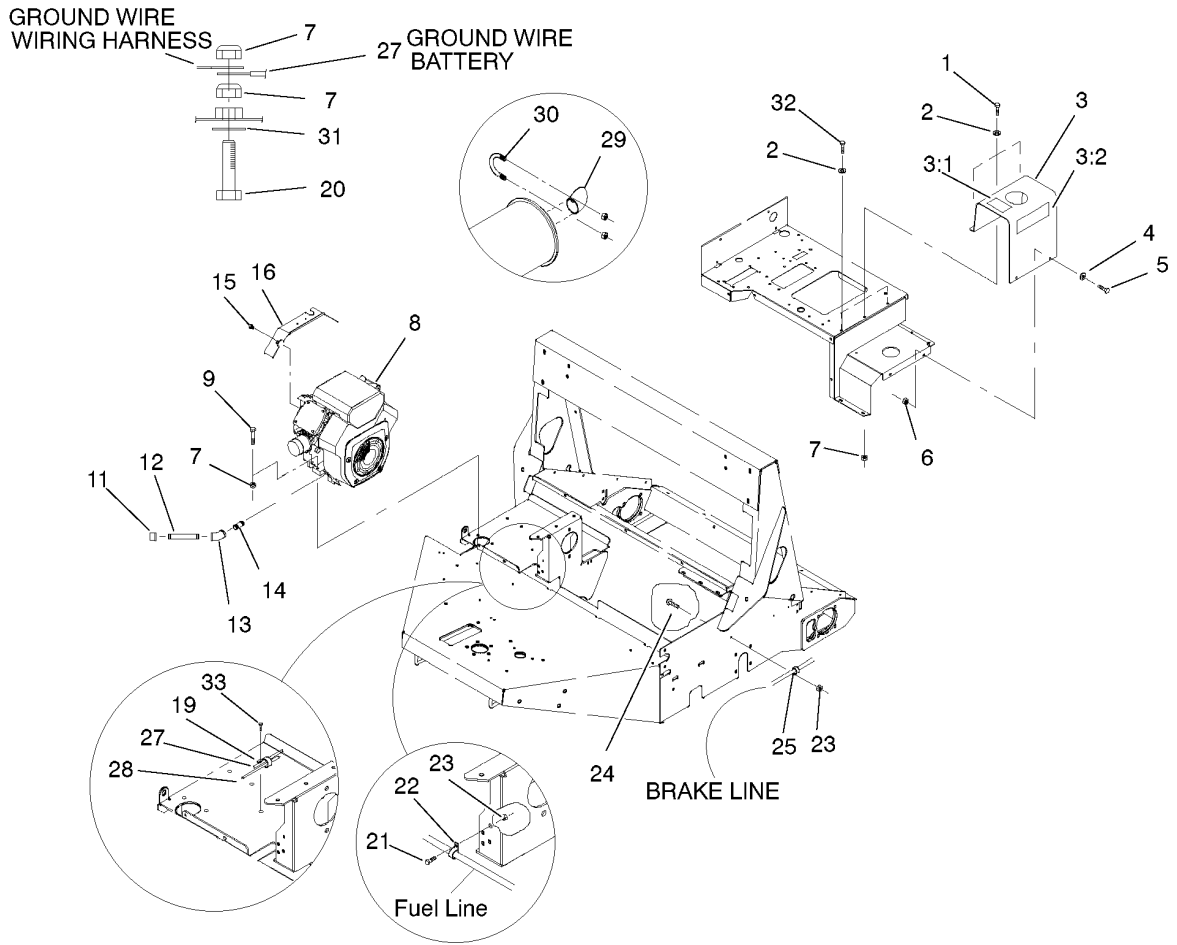
AR.	as required	HYD.	hydraulic
ASM.	assembly	INC.	incorporated
CARR.	carriage	LH.	left hand
DEG.	degrees	NI.	nylon insert
FH.	flat head	PPH.	phillips pan head
GA.	gauge	PTH.	phillips truss head
HF.	hex flange	PTO.	power take off
HH.	hex head	RH.	right hand
HHF.	hex head flange	SFH.	slotted fillister head
HHFTF.	hex head flange thread forming	SHH.	slotted hex head
HJ.	hex jam	SHWH.	slotted hex washer head
HLH.	hex lag head	SPH.	slotted pan head
HOC.	height-of-cut	SQH.	square head
HS.	hex	SRH.	slotted round head
HSBH.	hex socket button head	STD.	standard
HSFH.	hex socket flat head	TAP.	self tapping
HS.	hex socket head	TTH.	torx truss head
HWH.	hex washer head	WH.	wing head
HWHTF.	hex washer head thread forming		

Footnotes

- ❶ Not illustrated
- ❷ Not serviced
- ❸ Not serviced separately
- ❹ Obtain parts locally from a Kohler dealer
- ❺ (The following are used with one of M-545016 as positive throttle stop in bracket 24 126 56-S)

Contents

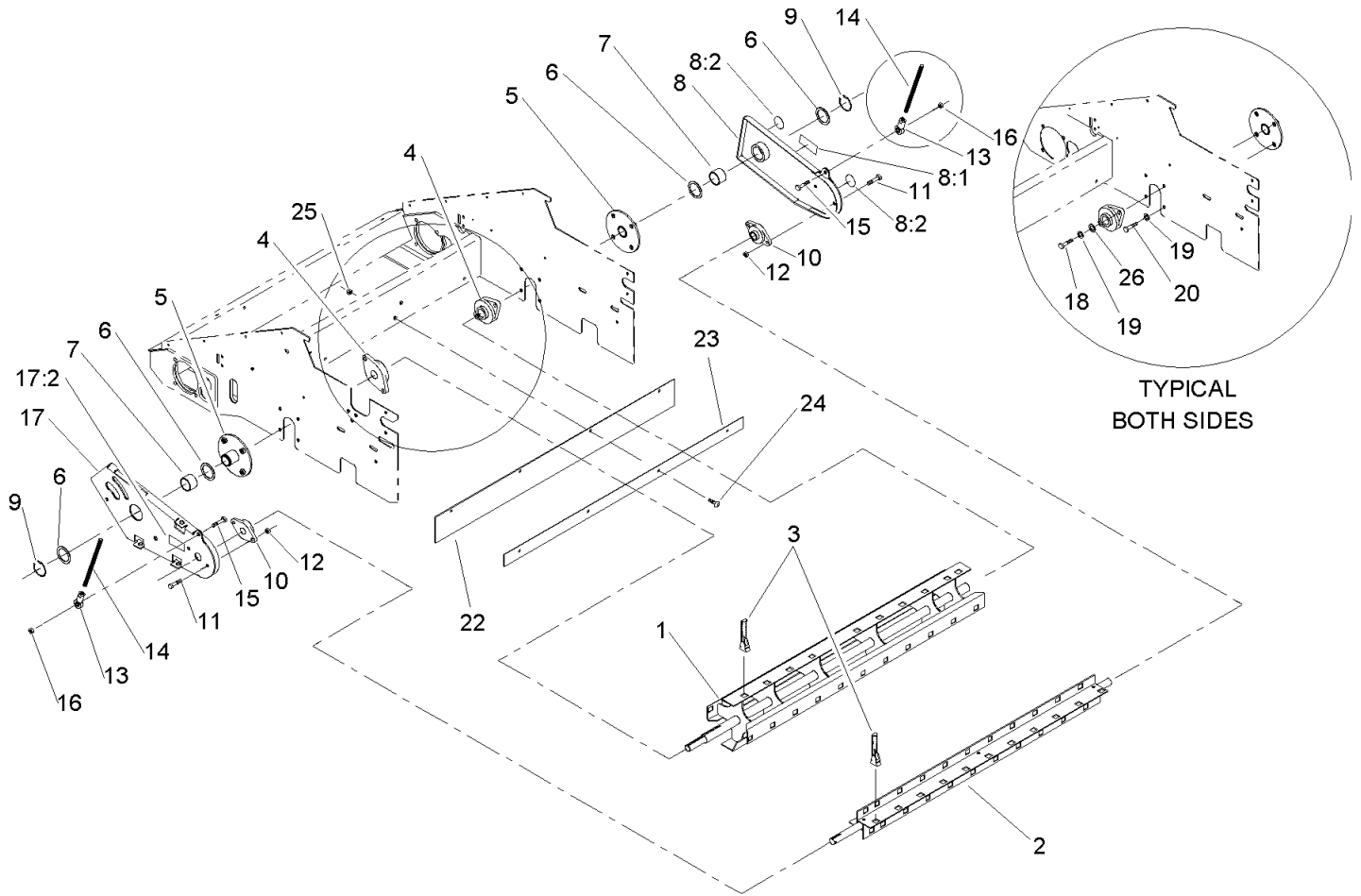
Description	Page	Description	Page
Engine Mounting Assembly	3	Main Frame Assembly	29
Reel Assembly	4	Main Frame Decal Assembly No. 100-4012	30
Drive Shaft-Pump Assembly	5	Crankshaft And Crankcase Assembly Kohler Ch18s PS-62595	31
Belt Drive and Clutch Assembly	6	Oil Pan And Lubrication Assembly Kohler Ch18s PS-62595	32
Electric Clutch Assembly No. 98-5308	8	Head, Valve And Breather Assembly Kohler Ch18s ps-62595	33
Reel Lift Assembly	9	Ignition And Electrical Assembly Kohler Ch18s ps-62595	34
Neutral Return System Assembly	10	Blower Housing And Baffle Assembly Kohler Ch18s ps-62595	35
Yoke Assembly	11	Starting System Assembly Kohler Ch18s ps-62595	36
Seat Assembly	12	Fuel System Assembly Kohler Ch18s ps-62595	37
Control Panel Assembly	13	Engine Control Assembly Kohler Ch18s ps-62595	38
Parking Brake Assembly	14	Air Intake Assembly Kohler Ch18s ps-62595	39
Wheel and Brake Assembly	15	Exhaust Assembly Kohler Ch18s ps-62595	40
Brake Assembly No. 104-7705	16		
Hydraulic Motor Assembly No. 92-9199	17		
Hopper Assembly	18		
Hopper Mounting Assembly	19		
Door Assembly	20		
Door Lift Assembly	21		
Hydraulic Reservoir And Fuel Tank Assembly	22		
Pump Assembly	23		
Hydraulic Pump Assembly No. 95-0156	24		
Tilt Assembly	26		
Traction Control Assembly	27		
Hydraulic Tube and Hose Assembly	28		



Engine Mounting Assembly

Ref	Part No.	Qty.	Description
1	323-6	2	Screw-HH
2	3256-24	3	Washer-Flat
3	95-4850	1	Gas Tank Cover ASM
3:1	27-7310	1	Decal-Refueling
3:2	53-4420	1	Decal-Gas
4	3256-23	2	Washer-Flat
5	322-5	2	Screw-HH
6	3296-29	2	Nut-Lock, NI
7	3296-39	8	Nut-Lock, NI
8	95-4907	1	Engine-Kohler, 18hp
9	323-9	3	Screw-HH
11	288-10	1	Cap-Pipe
12	289-48	1	Nipple
13	95-4824	1	Fitting-Hyd, 45 DEG
14	01-456-0050	1	Nipple-Pipe
15	33103-012	2	Screw-HHF
16	95-4856	1	Engine Heat Guard ASM
19	2412-105	1	Clamp-Tube, Double
20	323-11	1	Screw-HH
21	321-4	1	Screw-HH
22	2412-73	1	Clamp-R
23	3296-42	3	Nut-Lock, NI
24	3229-1	2	Screw-CARR
25	2412-89	2	Clamp

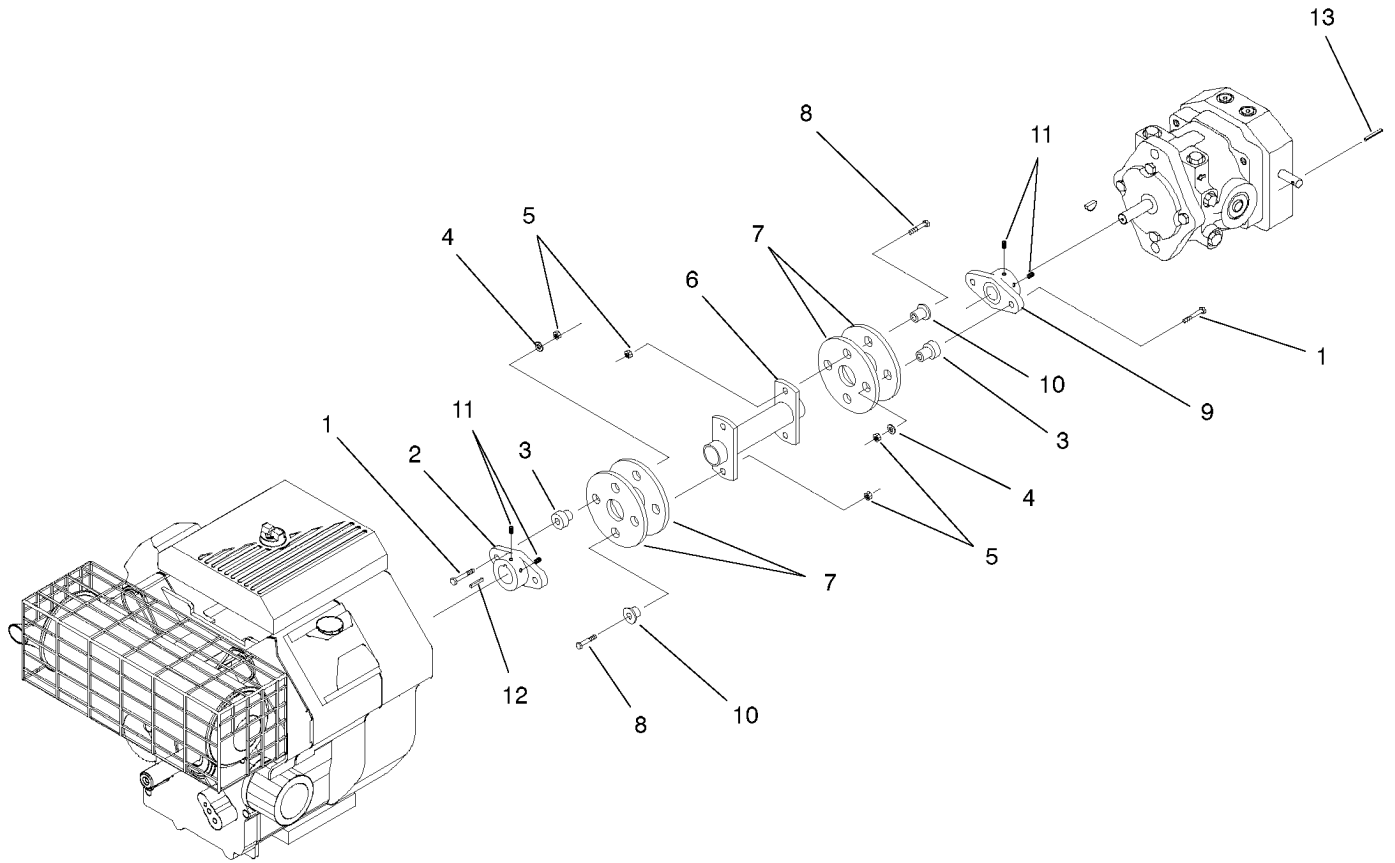
Ref	Part No.	Qty.	Description
27	95-4828	1	Cable-Battery, Neg.
28	95-4827	1	Cable-Battery, Pos.
29	95-4797	1	Exhaust-Outlet, 90 DEG
30	2112-11	1	Clamp-Muffler
31	3255-9	1	Washer-Lock, Ext
32	323-4	1	Screw-HH
33	32144-14	1	Screw-HWH



Reel Assembly

Ref	Part No.	Qty.	Description
1	106-1080-03	1	Rear Reel ASM
2	95-4934-03	1	Reel-Front
3	01-279-0010	88	Finger-Rubber
4	106-1082	2	Bearing-Flange, 2 Bolt
5	106-1085-03	2	Reel Spindle ASM
6	01-168-2810	4	Bushing-Narrow
7	98-8856	2	Bushing-Oilight
8	98-8883	1	LH Reel Plate ASM
8:1	01-506-0080	1	Decal-Keep Hands & Feet
8:2	58-6520	2	Decal-Grease
9	98-8858	2	Ring-Retaining
10	98-8872	2	Bearing-Flange
11	324-5	4	Screw-HH
12	3296-48	4	Nut-Lock, NI
13	2411-44	2	End-Rod
14	95-4822	2	Rod-Threaded
15	325-6	2	Screw-HH
16	3296-23	2	Nut-Lock, NI
17	98-8882	1	RH Reel Plate ASM
17:2	88-8950	1	Decal-Warning
18	324-7	4	Screw-HH
19	3253-6	8	Washer-Lock
20	324-4	4	Screw-HH
22	98-8878	1	Deflector-Rubber

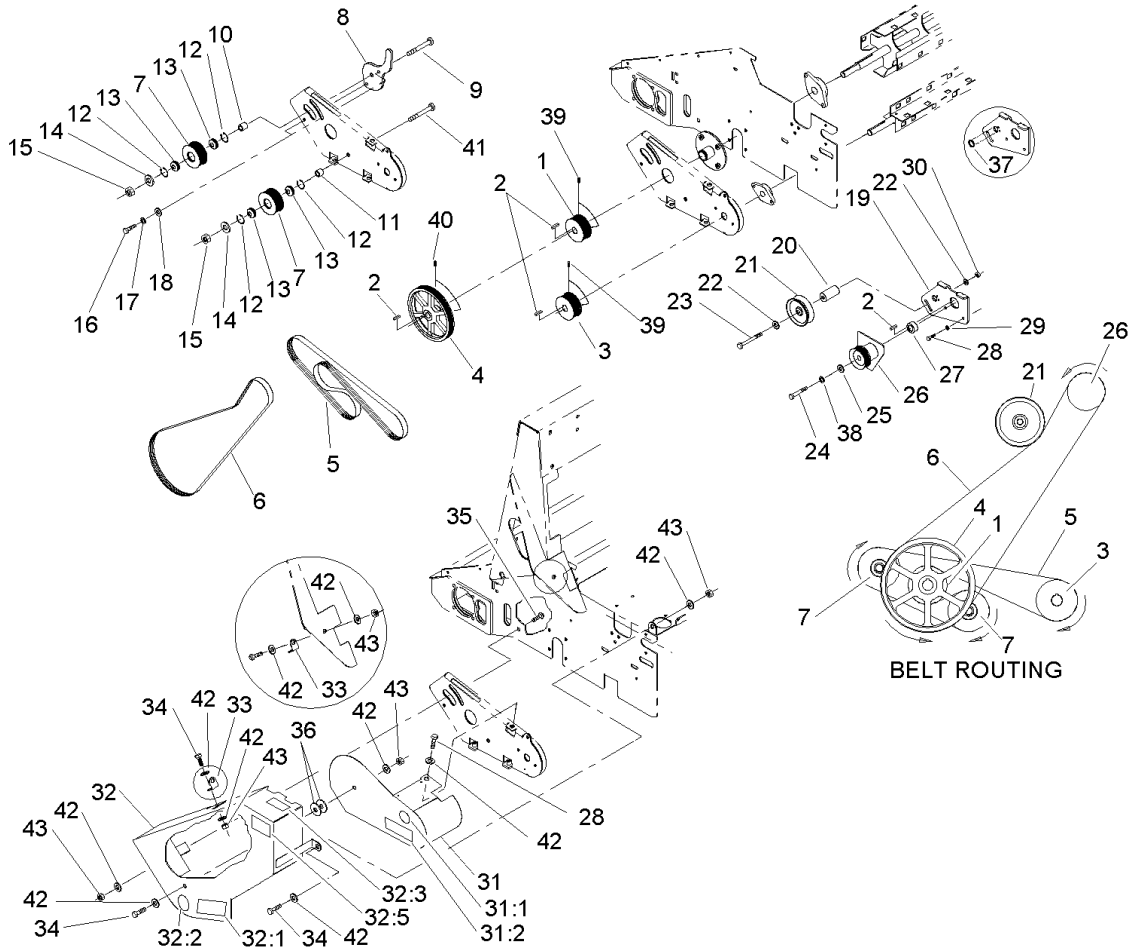
Ref	Part No.	Qty.	Description
23	98-8879-01	1	Plate-Backing
24	3230-2	4	Bolt-CARR
25	3296-29	4	Nut-Lock, NI
26	3256-25	4	Washer-Flat



Drive Shaft-Pump Assembly

Ref	Part No.	Qty.	Description
1	322-10	4	Screw-HH
2	27-1960	1	Hub-Engine
3	71-4410	4	Spacer
4	3256-23	4	Washer-Flat
5	3296-29	8	Nut-Lock, NI
6	71-4400-03	1	Coupling-Drive
7	44-2230	4	Coupling-Rubber
8	322-7	4	Screw-HH
9	33-4380	1	Hub-Pump
10	71-4411	4	Spacer
11	3241-5	4	Screw-Set
12	5-4916	1	Key
13	32121-6	1	Pin-Roll

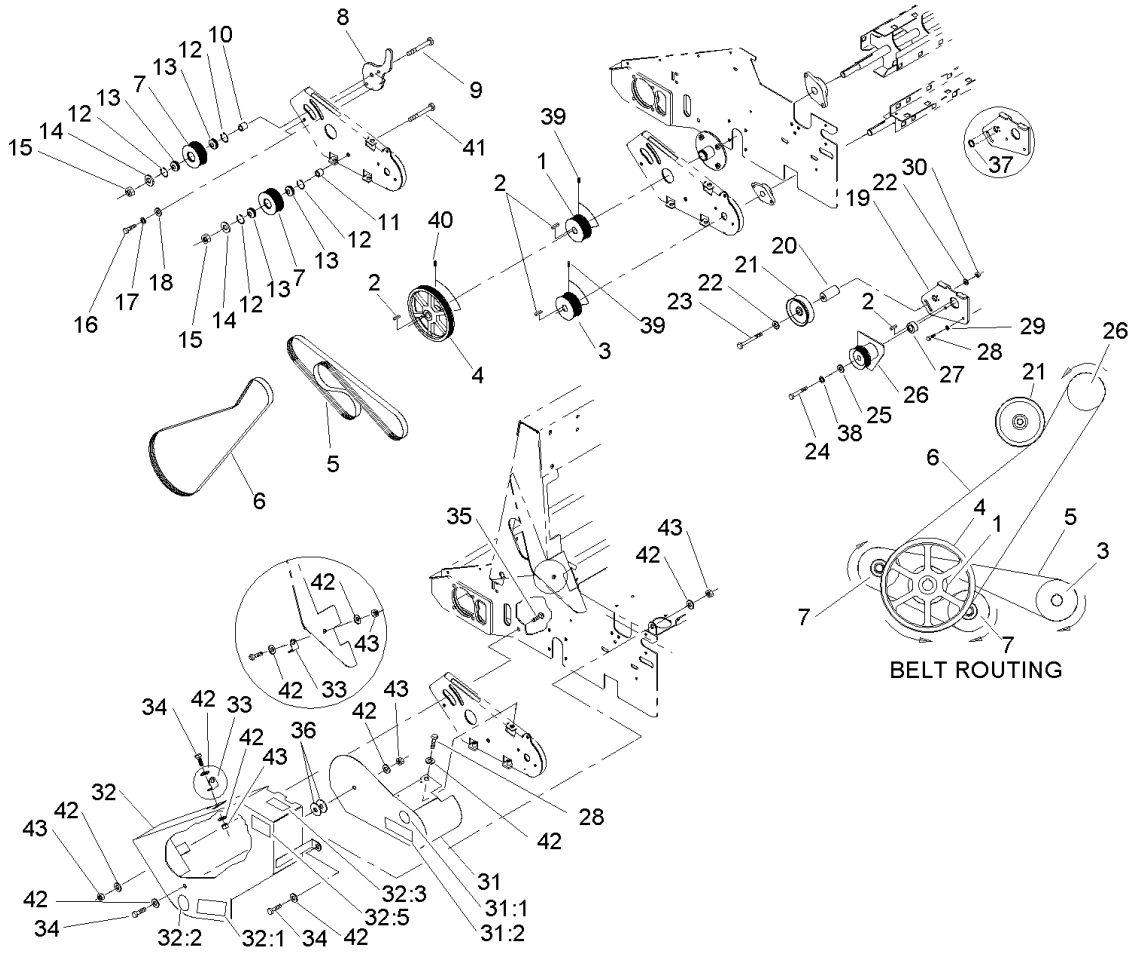
--	--	--	--



Belt Drive and Clutch Assembly

Ref	Part No.	Qty.	Description
1	98-8853	1	Pulley-Goodyear
2	7-0238	4	Key-Square
3	98-8851	1	Pulley
4	98-5351	1	Pulley
5	98-8867	1	Belt-Poly
6	98-8868	1	Belt-Poly
7	98-8852	2	Pulley-Idler
8	98-8850-03	1	Plate-Arm, Adjustment
9	327-16	1	Screw-HH
10	98-8863	1	Spacer
11	98-8862	1	Spacer
12	98-8859	4	Ring-Retaining, Int.
13	98-8854	4	Bearing
14	3256-27	2	Washer-Flat
15	3296-53	2	Nut-Lock, NI
16	325-4	2	Screw-HH
17	3253-7	2	Washer-Lock
18	3256-6	2	Washer-Flat
19	95-4912-03	1	Bracket-Clutch
20	98-8861	1	Spacer
21	01-268-0370	1	Pulley
22	3256-26	2	Washer-Flat
23	325-19	1	Screw-HH
24	3212-11	1	Screw-HH

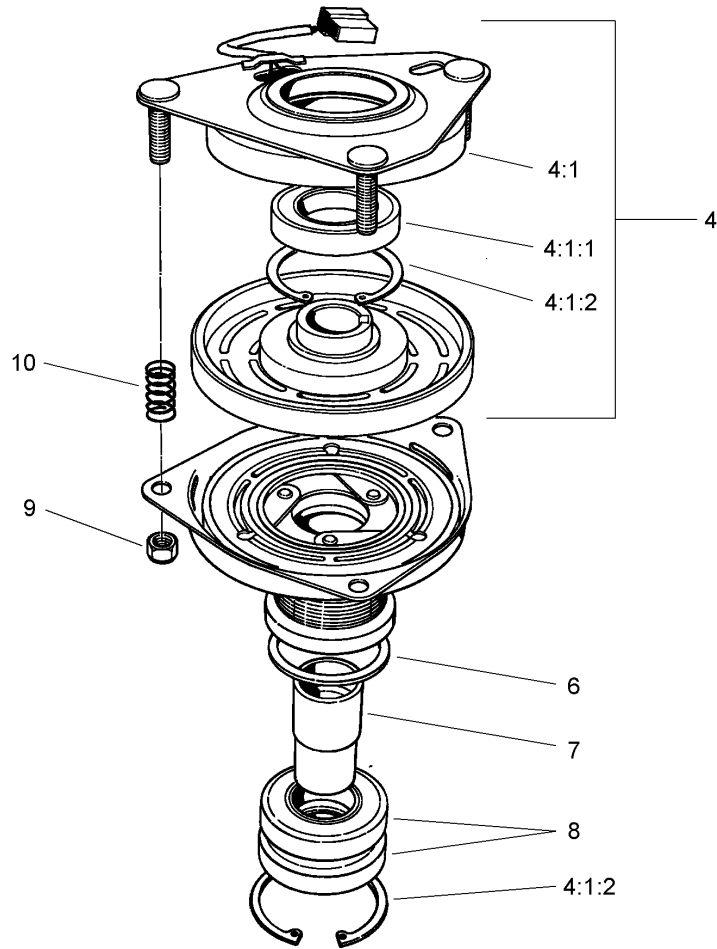
Ref	Part No.	Qty.	Description
25	70-8040	1	Washer
26	98-5308	1	Electric Clutch ASM
27	98-8860	1	Spacer
28	323-6	7	Screw-HH
29	3253-5	4	Washer-Lock
30	3296-23	1	Nut-Lock, NI
31	98-8884	1	Lower Guard ASM
31:1	58-6520	1	Decal-Grease
31:2	67-5360	1	Decal-Danger
32	98-8881	1	Upper Guard ASM
32:1	01-506-0080	1	Decal-Keep Hands & Feet
32:2	58-6520	1	Decal-Grease
32:3	67-5360	1	Decal-Danger
32:5	98-8880	1	Decal-Routing, Belt
33	98-8855-03	1	Bracket-Guard, Upper
34	323-7	4	Screw-HH
35	3231-28	1	Screw-CARR
36	95-4896	2	Washer-Nylon
37	98-8529	1	Grommet
38	3253-6	1	Washer-Lock
39	01-163-0030	4	Screw-Set, Hollow
40	3246-3	2	Screw-HS
41	327-14	1	Screw-HH
42	3256-24	12	Washer-Flat



Belt Drive and Clutch Assembly (continued)

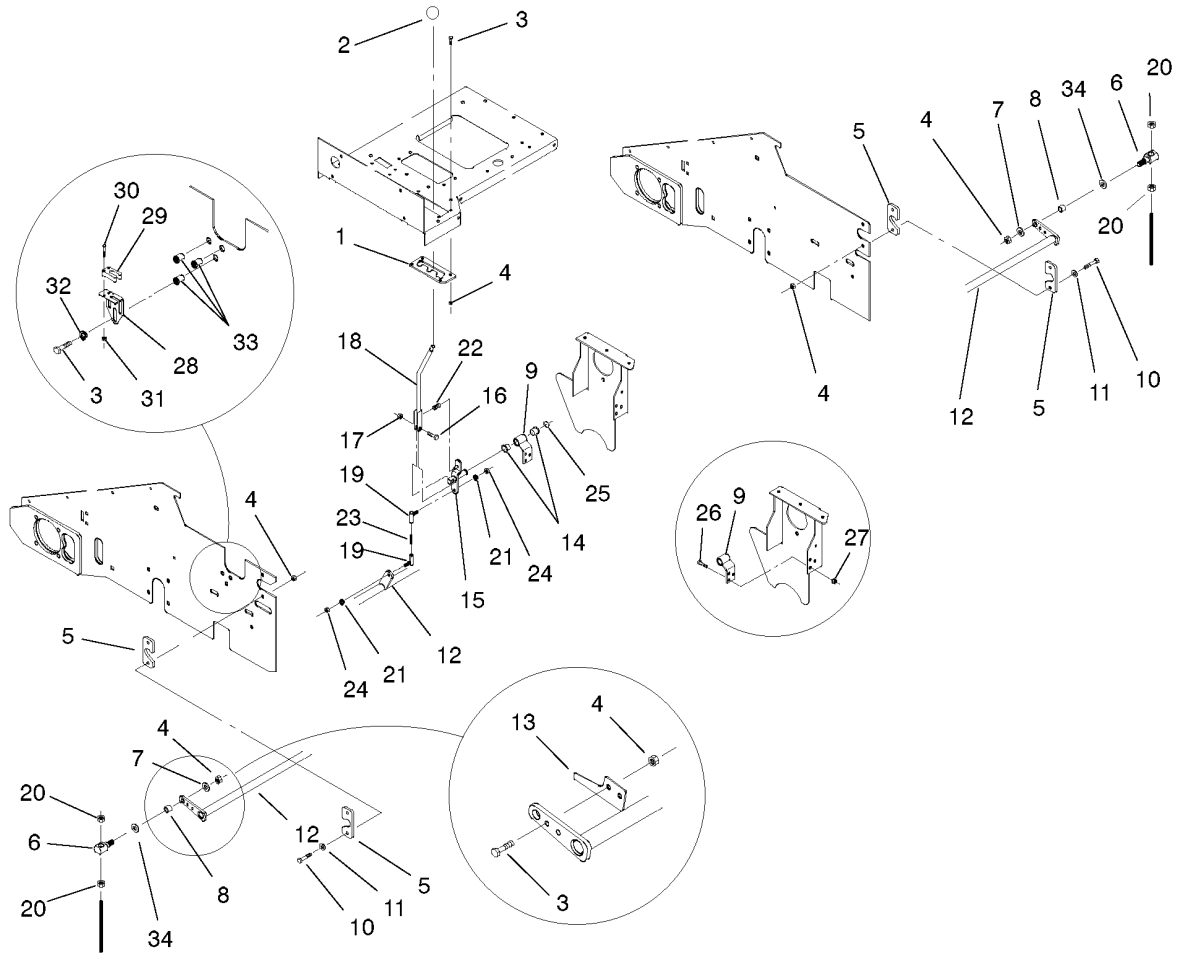
Ref	Part No.	Qty.	Description
43	3296-39	5	Nut-Lock, NI

--	--	--	--



Electric Clutch Assembly No. 98-5308

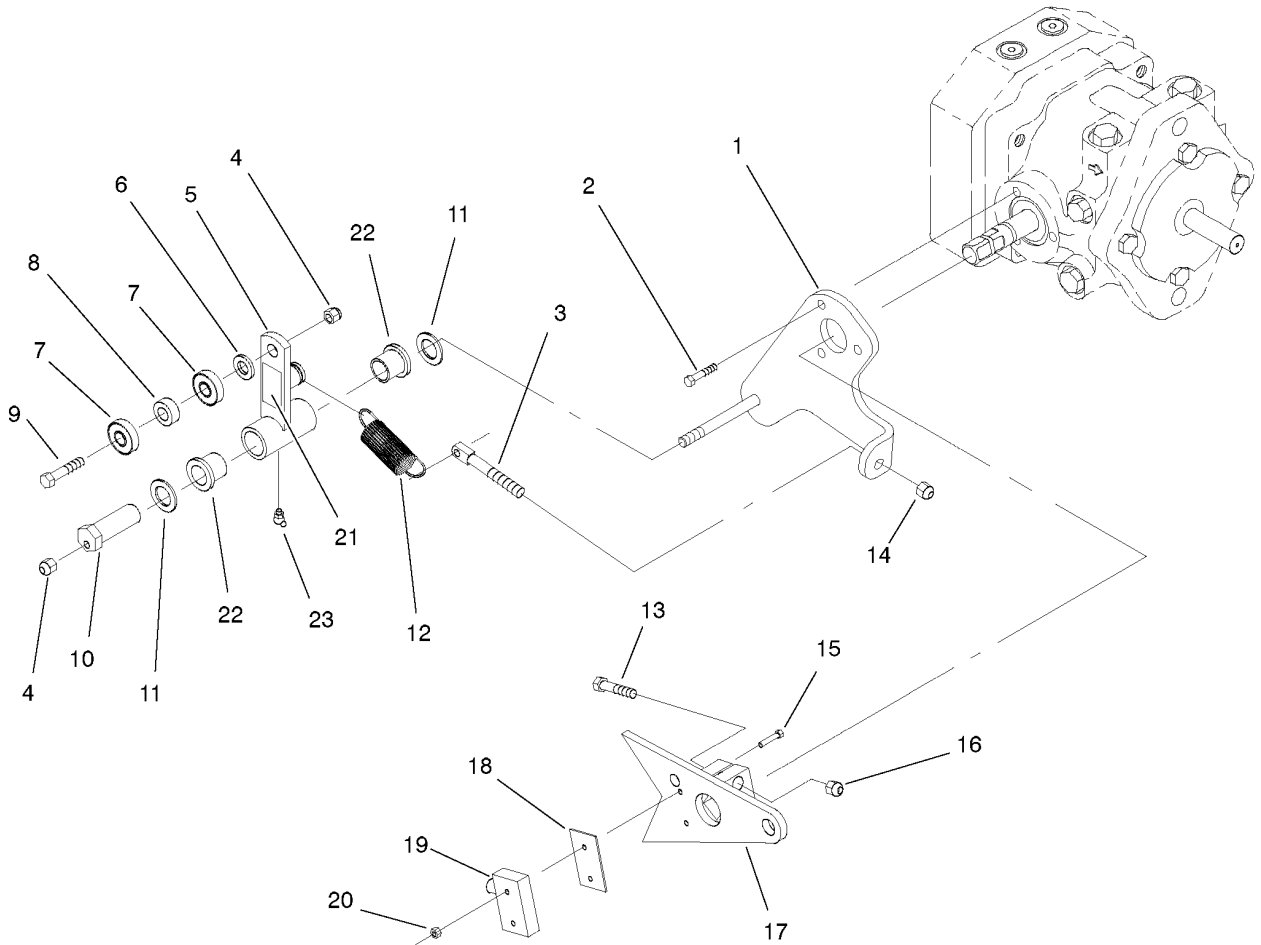
Ref	Part No.	Qty.	Description				
4	44-8360	1	Field Coil/rotor Bearing ASM				
4:1	54-0230	1	Field Bearing ASM				
4:1:1	251-292	1	Bearing-Field				
4:1:2	44-8310	1	Ring-Retaining				
6	44-8330	1	Spacer-Bearing, Pulley				
7	98-5334	1	Collar-Bearing, Clutch				
8	251-291	1	Bearing-Pulley				
9	3296-6	3	Nut-Lock, NI				
10	44-8320	3	Spring				



Reel Lift Assembly

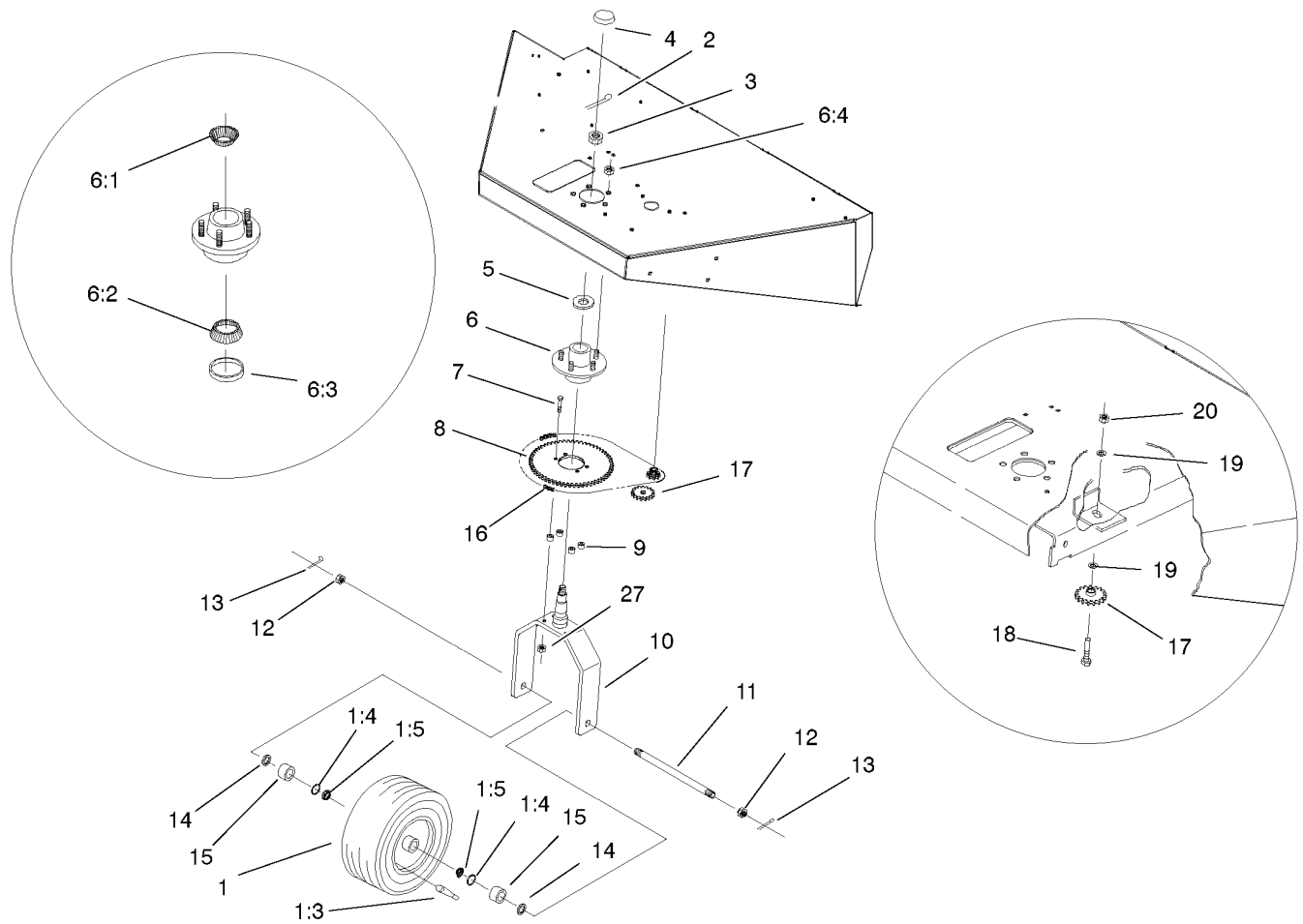
Ref	Part No.	Qty.	Description
1	98-8864	1	Gate-Reel
2	233-48	1	Knob
3	323-6	9	Screw-HH
4	3296-39	12	Nut-Lock, NI
5	95-0272	4	Bushing
6	92-2344	2	Trunnion
7	3256-4	2	Washer-Flat
8	95-4782	2	Bushing
9	95-4888-03	1	Bracket-Lift, Reel
10	323-8	4	Screw-HH
11	3256-24	4	Washer-Flat
12	95-0179-03	1	Rod-Lift, Reel
13	98-8865-03	1	Plate-Switch
14	256-10	2	Bushing-Flange
15	95-4891	1	Pivot-Lift, Reel
16	325-5	1	Screw-HH
17	3296-45	1	Nut-Lock, NI
18	95-4702	1	Handle-Lift, Reel
19	01-250-0040	2	Ball Joint ASM
20	3219-5	4	Nut-Hex
21	3253-5	2	Washer-Lock
22	01-261-0330	1	Spring
23	01-650-1100	1	Rod-Threaded
24	3220-3	2	Nut-Jam

Ref	Part No.	Qty.	Description
25	95-4893	1	Ring-Retaining, Ext
26	322-5	3	Screw-HH
27	3296-29	3	Nut-Lock, NI
28	98-8866	1	Bracket-Switch
29	98-4132	1	Switch-Reed
30	32105-29	2	Screw-SHWH
31	3296-54	2	Nut-Lock, NI
32	3253-21	3	Washer-Lock
33	32148-9	3	Insert-Nut
34	3256-26	3	Washer-Flat



Neutral Return System Assembly

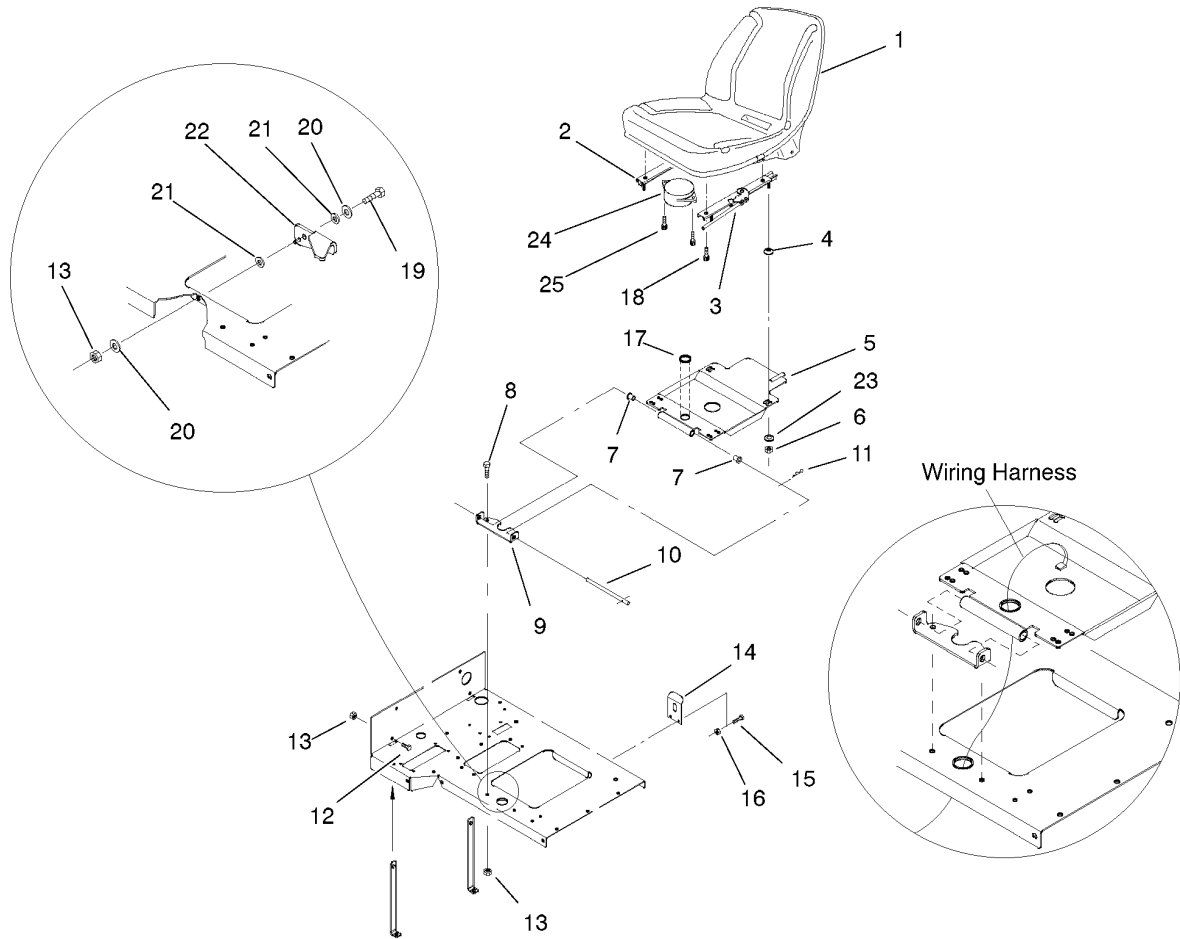
Ref	Part No.	Qty.	Description
1	95-0347-03	1	Plate-Neutral
2	49-2040	3	Screw-Tapping
3	99-8194	1	Pin-Adjusting
4	3296-29	2	Nut-Lock, NI
5	85-8461-03	1	Arm-Switch
6	75-5470	1	Spacer-Bearing
7	251-259	2	Bearing-Ball
8	85-9120	1	Spacer-Pivot, Tilt
9	322-8	1	Screw-HH
10	76-8640	1	Stud-Traction
11	3-6498	2	Washer-Thrust
12	85-9030	1	Spring-Extension
13	323-10	1	Screw-HH
14	3296-4	1	Nut-Lock, NI
15	32105-21	2	Screw-HH
16	3296-39	1	Nut-Lock, NI
17	85-8300-03	1	Lever-Pump
18	85-9150	1	Plate-Switch
19	29-6163	1	Switch-Micro
20	3296-9	2	Nut-Lock, NI
21	85-8860	1	Decal-Bolt, Eccentric
22	256-113	2	Bushing-Flange
23	302-60	1	Fitting-Grease



Yoke Assembly

Ref	Part No.	Qty.	Description
1	01-269-1820	1	Front Tire & Wheel ASM
1:3	232-24	1	Stem-Valve
1:4	01-405-0460	2	Seal-Grease
1:5	254-78	2	Bearing-Cone
2	3272-15	1	Pin-Cotter
3	01-190-1216	1	Nut-Slotted
4	241-119	1	Cap-Dust
5	3256-28	1	Washer-Flat
6	01-269-0140	1	Steering Hub ASM
6:1	254-92	1	Cone-Bearing, Outer
6:2	01-102-0050	1	Bearing
6:3	01-405-0370	1	Seal-Oil
6:4	242-50	5	Nut-Lug
7	323-10	4	Screw-HH
8	95-4729	1	Sprocket-Steering
9	98-8895	4	Spacer
10	95-0008-03	1	Wheel-Yoke
11	95-0225	1	Axle-Front
12	01-190-1210	2	Nut-Slotted
13	3272-19	2	Pin-Cotter
14	01-168-1210	2	Bushing
15	01-269-0060	2	Spacer-Axle
16	95-4796	1	Chain-Steering
17	01-262-0290	1	Sprocket

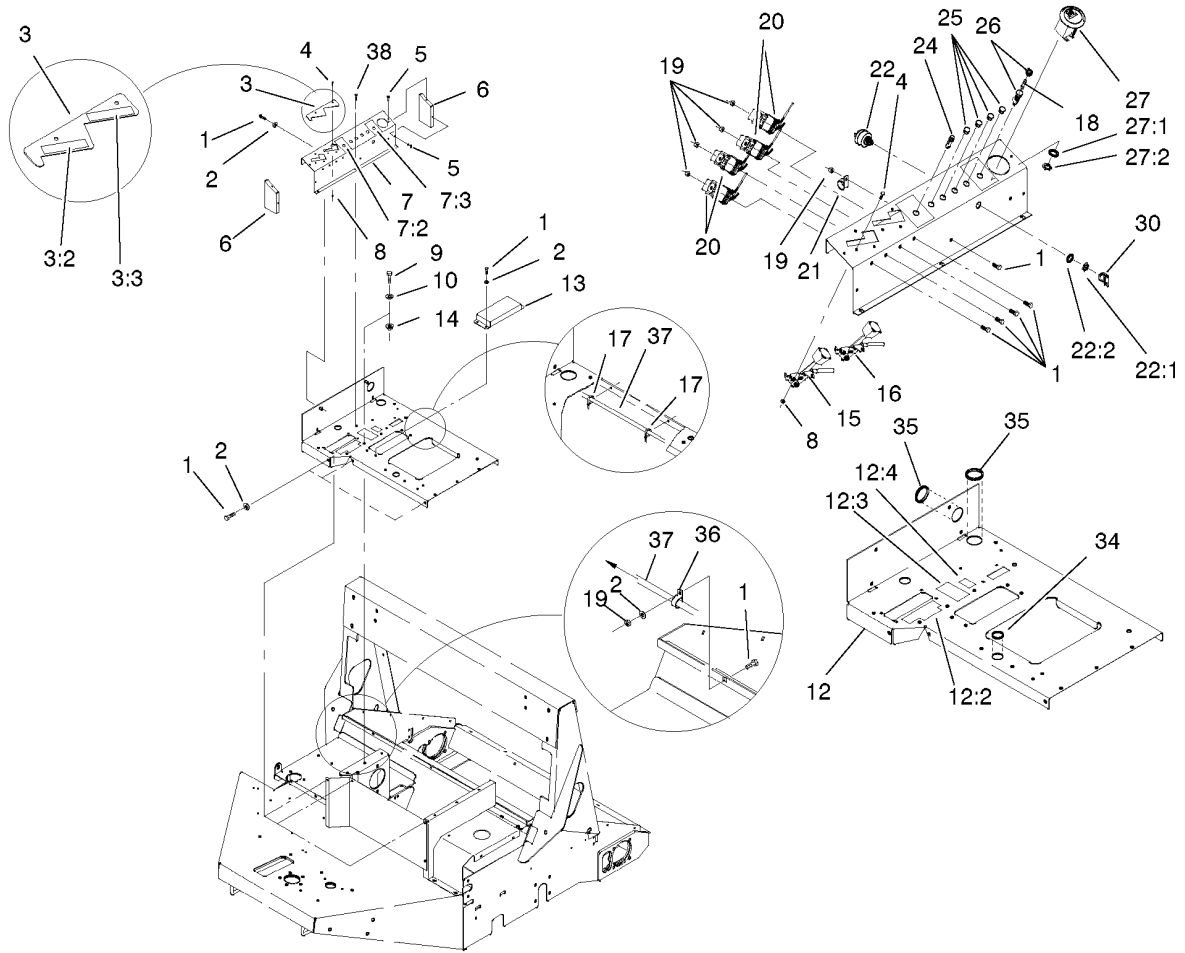
Ref	Part No.	Qty.	Description
18	327-6	1	Screw-HH
19	3256-27	2	Washer-Flat
20	3296-53	1	Nut-Lock, NI
27	3296-39	4	Nut-Lock, NI



Seat Assembly

Ref	Part No.	Qty.	Description
1	104-4620	1	Seat-Olympic, Toro
2	95-4763	1	Adjuster-Seat
3	95-4764	1	Adjuster-Seat, W/handle
4	66-9290	4	Spacer-Suspension
5	95-4909-03	1	Plate-Seat
6	3296-29	4	Nut-Lock, NI
7	256-155	2	Bushing-Flange
8	323-6	2	Screw-HH
9	95-0379-03	1	Bracket-Pivot, Seat
10	49-5880	1	Shaft-Support, Seat
11	3290-467	1	Pin-Hair
12	323-5	2	Screw-HH
13	3296-39	5	Nut-Lock, NI
14	66-2630	1	Latch-Seat
15	321-2	2	Screw-HH
16	3296-42	2	Nut-Lock, NI
17	240-5	1	Grommet
18	3274-12	4	Screw-HSH
19	323-7	1	Screw-HH
20	3256-4	2	Washer-Flat
21	95-4896	2	Washer-Nylon
22	95-4894	1	Prop-Seat
23	3256-23	4	Washer-Flat
24	92-6282	1	Switch-Seat

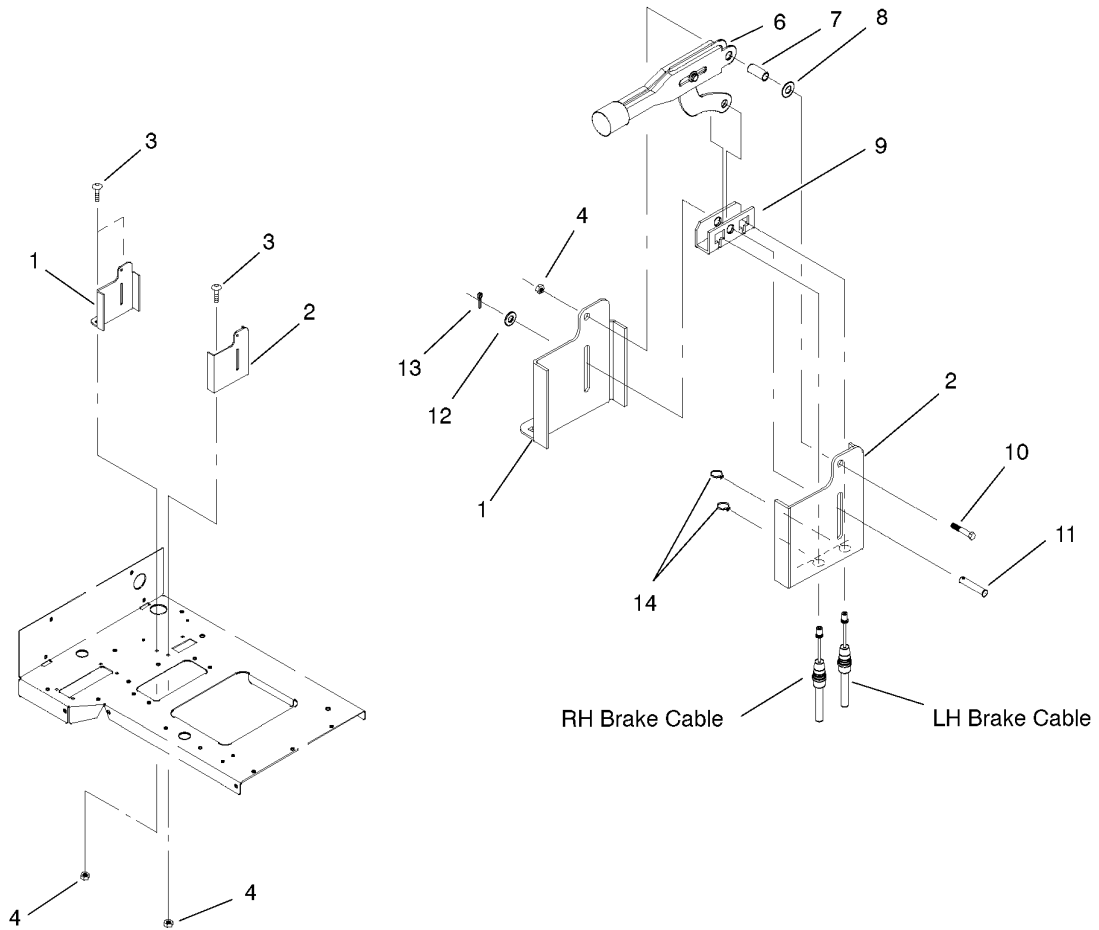
Ref	Part No.	Qty.	Description
25	32144-10	2	Screw-HWH



Control Panel Assembly

Ref	Part No.	Qty.	Description
1	321-4	15	Screw-HH
2	3256-22	7	Washer-Flat
3	100-4010	1	Cover Plate ASM
3:2	95-0370	1	Decal-Throttle
3:3	95-0371	1	Decal-Choke
4	3290-134	6	Screw
5	3269-4	4	Rivet-Pop
6	95-0186-03	2	Cap-Control Panel, Front
7	100-4009	1	Control Panel ASM
7:2	95-0383	1	Decal-Light, Oil
7:3	95-0384	1	Decal-Fuse
8	3296-2	6	Nut-Lock
9	323-6	3	Screw-HH
10	3256-24	3	Washer-Flat
12	100-4008	1	Access Cover ASM
12:2	95-0390	1	Decal-Operation, Reels
12:3	87-6020	1	Decal-Brake, Parking
12:4	95-0389	1	Decal-Operation, Starting
13	95-0329-03	1	Cover-Top
14	32128-43	4	Nut-Flange
15	95-4816	1	Control-Throttle
16	95-0286	1	Cable-Control
17	3290-410	2	Tie-Mount, Push
18	98-8876	1	Fuse-10 Amp

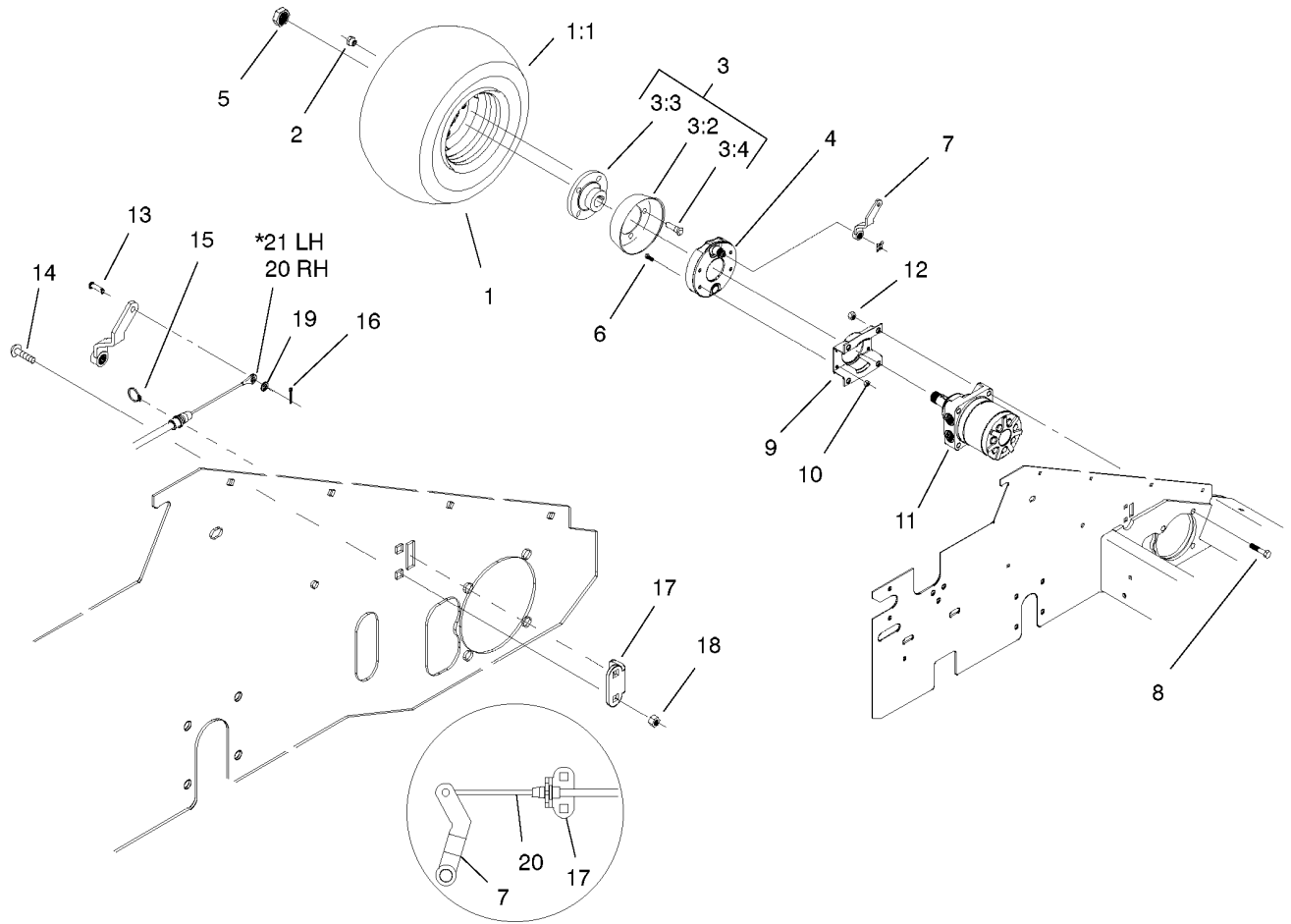
Ref	Part No.	Qty.	Description
19	3296-42	6	Nut-Lock, NI
20	70-1480	4	Relay
21	2412-73	1	Clamp-R
22	27-2360	1	Switch-Key
22:1	218-446	1	Nut-Hex
22:2	218-447	1	Washer-Lock
24	87-8580	1	Light-Indicator
25	95-4765	4	Plug-Hole
26	218-489	1	Holder-Fuse
27	66-2950	1	Gauge-Hourmeter
27:1	3255-20	2	Washer-Lock
27:2	3217-25	2	Nut-Hex
30	63-8360	1	Key-Ignition
34	240-5	1	Grommet
35	240-7	2	Grommet-Rubber
36	2412-39	1	R-Clamp
37	98-8874	1	Harness-Wire
38	87-6620	3	Screw



Parking Brake Assembly

Ref	Part No.	Qty.	Description
1	95-0010-03	1	Mount-Brake, RH
2	95-0009-03	1	Mount-Brake, LH
3	3229-1	3	Screw-CARR
4	3296-42	4	Nut-Lock, NI
6	87-2710	1	Lever-Brake
7	87-4710	1	Spacer-Brake, Parking
8	3290-477	1	Washer-Curved
9	87-3480	1	Bracket-Equalizer, Cable
10	321-10	1	Screw-HH
11	283-18	1	Clevis
12	3256-23	1	Washer-Flat
13	3272-9	1	Pin-Cotter
14	32120-47	2	Ring-Retaining, External

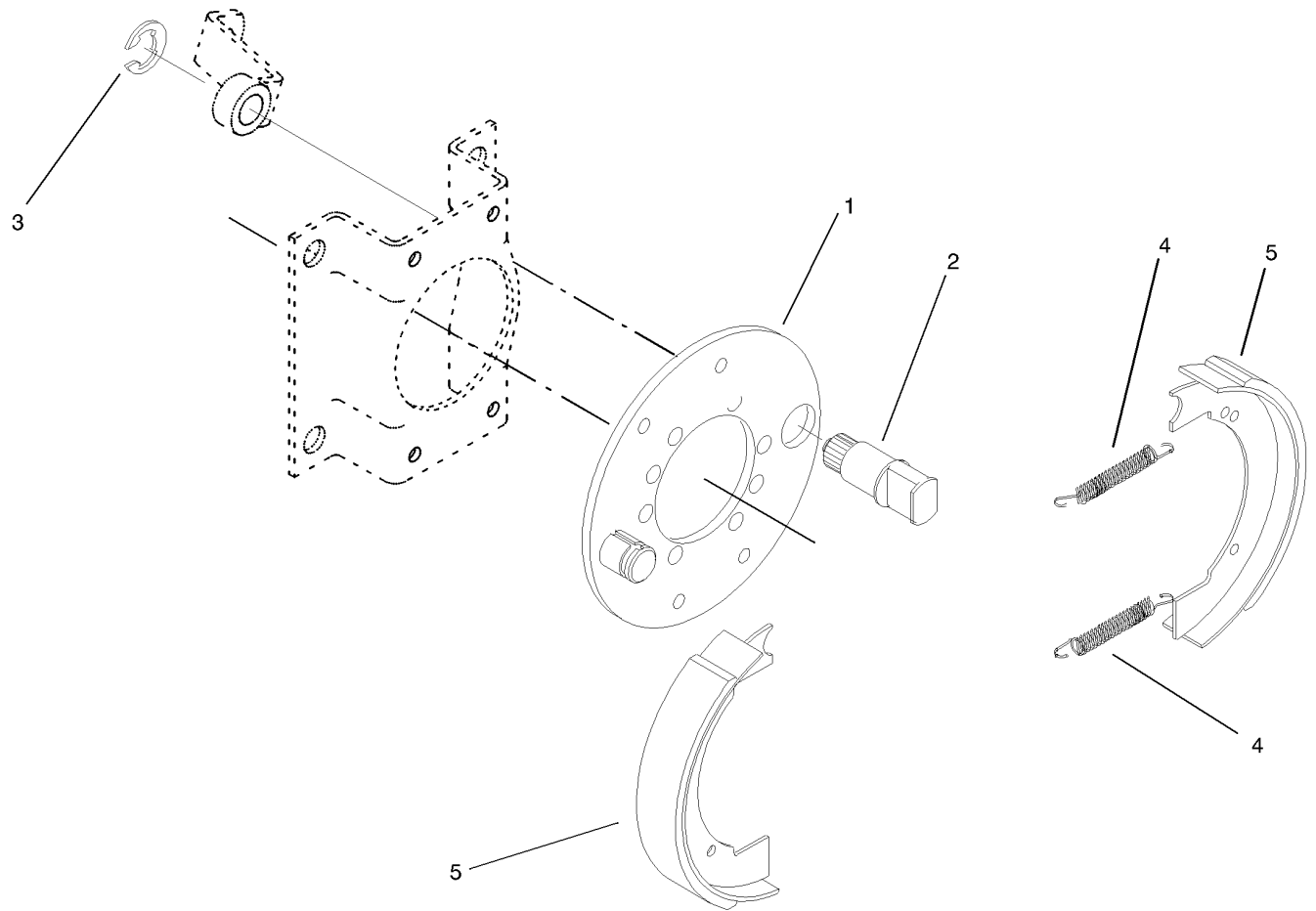
--	--	--	--



Wheel and Brake Assembly

Ref	Part No.	Qty.	Description
1		2	Tire Assembly
1:1	95-0177	1	Tire-Tubeless
2	242-50	8	Nut-Lug
3	10-6821	2	Brake Drum ASM
3:2	10-6850	1	Drum-Brake
3:3	10-6870-03	1	Hub-Wheel
3:4	85-6540	4	Stud-Drive
4	104-7705	2	Brake ASM
5	26-3790	2	Nut-Lock
6	321-5	8	Screw-HH
7	80-7400-03	2	Lever-Brake
8	3274-100	8	Screw-HSH
9	84-2000-03	2	Bracket-Brake
10	3296-42	8	Nut-Lock, NI
11	92-9199	2	Motor-Wheel, HYD
12	3296-23	8	Nut-Lock, NI
13	283-62	2	Pin-Clevis
14	3231-12	4	Screw-CARR
15	32120-47	2	Ring-Retaining, External
16	3272-10	2	Pin-Cotter
17	92-4698-01	2	Mount-Cable, Brake
18	3296-39	4	Nut-Lock, NI
19	3256-23	2	Washer-Flat
20	95-0025	1	Cable-Brake, RH

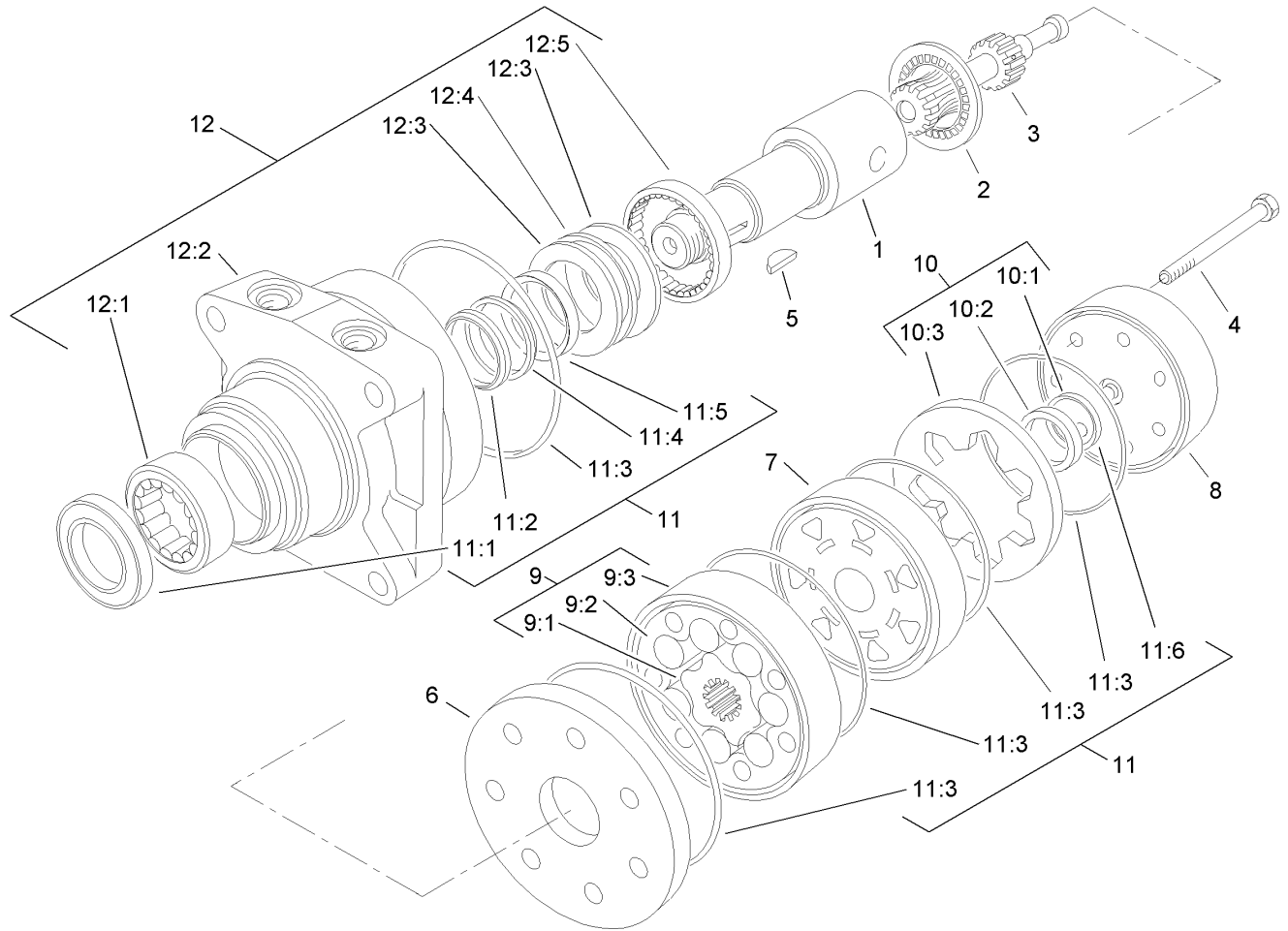
Ref	Part No.	Qty.	Description
21	95-0287	1	Cable-Brake, LH



Brake Assembly No. 104-7705

Ref	Part No.	Qty.	Description
1	70-9870	1	Plate-Backing
2	104-7707	1	Shaft-Cam, Brake
3	104-7706	1	E Ring-Bowed
4	70-9880	2	Spring-Return
5	70-9840	2	Shoe-Brake

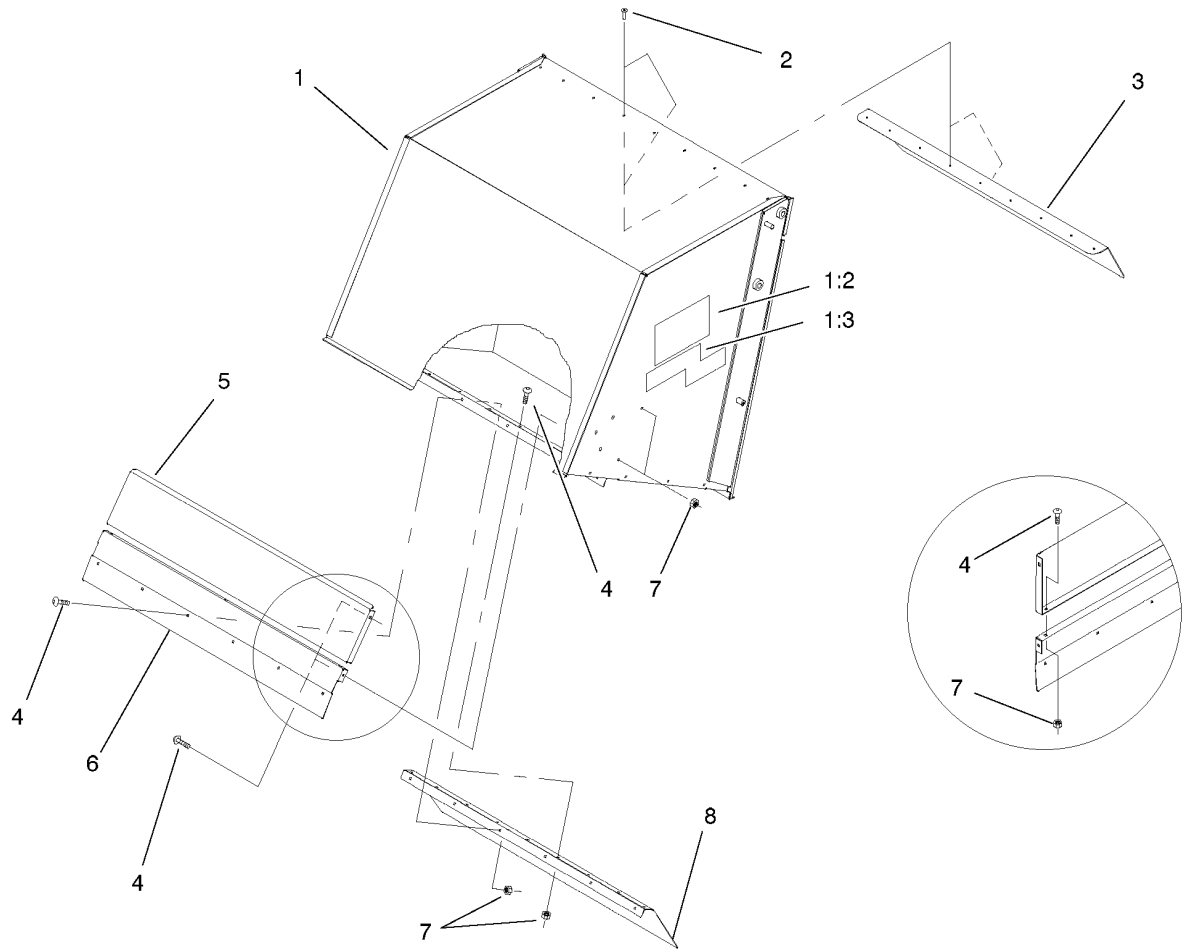
--	--	--	--	--	--



Hydraulic Motor Assembly No. 92-9199

Ref	Part No.	Qty.	Description
1	76-0860	1	Shaft-Coupling
2	76-0850	1	Bearing-Thrust
3	92-9761	1	Link-Drive
4	92-9762	7	Screw-HH
5	3257-42	1	Key-Woodruff
6	76-0870	1	Plate-Wear
7	76-0840	1	Manifold
8	76-0940	1	End Cover ASM
9	92-9763	1	Rotor Set
9:1		1	Rotor
9:2		1	Vane
9:3		1	Stator
10	76-0880	1	Commutator ASM
10:1		1	Seal-Commutator
10:2		1	Commutator
10:3		1	Ring-Commutator
11	94-8178	1	Seal Kit
11:1		1	Seal-Dirt & Water
11:2		1	Washer-Backup
11:3		5	Seal-Ring
11:4		1	Washer-Backup
11:5		1	Seal-Inner
11:6		1	Seal-Commutator
12	76-0810	1	Housing ASM

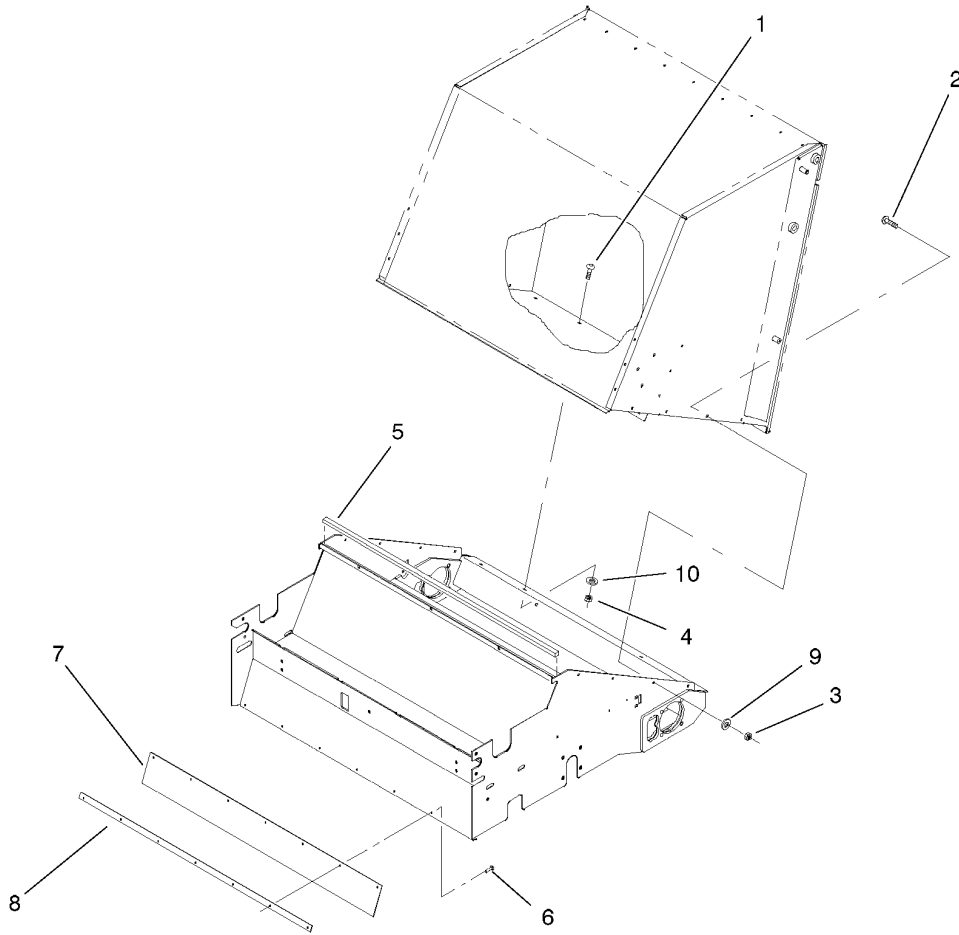
Ref	Part No.	Qty.	Description
12:1		1	Bearing
12:2		1	Housing
12:3		2	Washer-Thrust
12:4		1	Bearing-Thrust
12:5		1	Bearing



Hopper Assembly

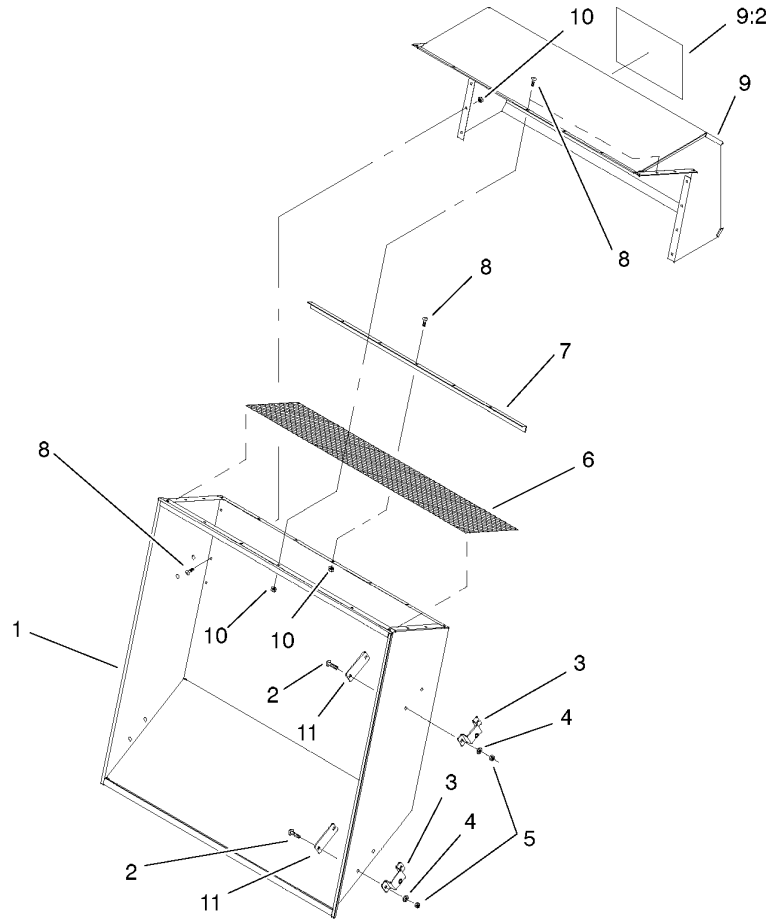
Ref	Part No.	Qty.	Description
1	100-4014	1	Hopper ASM
1:2	66-6140	2	Decal
1:3	01-506-0650	2	Decal
2	3269-22	14	Rivet-Pop
3	95-0240-01	1	Deflector-Top, Hopper
4	3229-11	22	Screw-CARR
5	95-4814-01	1	Baffle-Inlet, Upper
6	95-4815-01	1	Baffle-Inlet, Lower
7	3296-42	22	Nut-Lock, NI
8	95-0234-01	1	Deflector-Bottom, Hopper

--	--	--	--



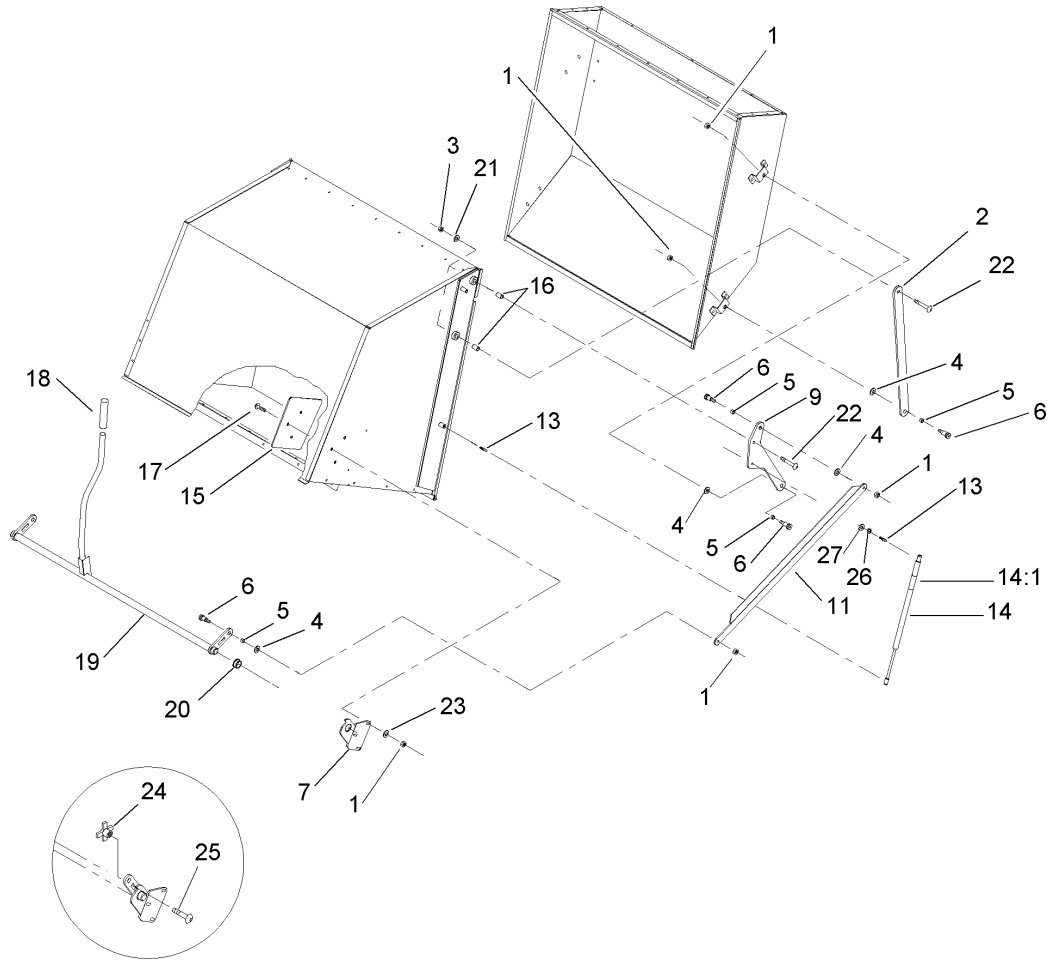
Hopper Mounting Assembly

Ref	Part No.	Qty.	Description
1	3231-2	2	Screw-CARR
2	3229-1	8	Screw-CARR
3	3296-42	8	Nut-Lock, NI
4	3296-39	2	Nut-Lock, NI
5	95-4788	1	Sponge-Neoprene
6	01-161-0090	7	Rivet-Pop
7	95-4802	1	Skirt-Rubber
8	95-4803-01	1	Bar-Reinforcement
9	3256-2	8	Washer-Flat
10	3256-24	2	Washer-Flat



Door Assembly

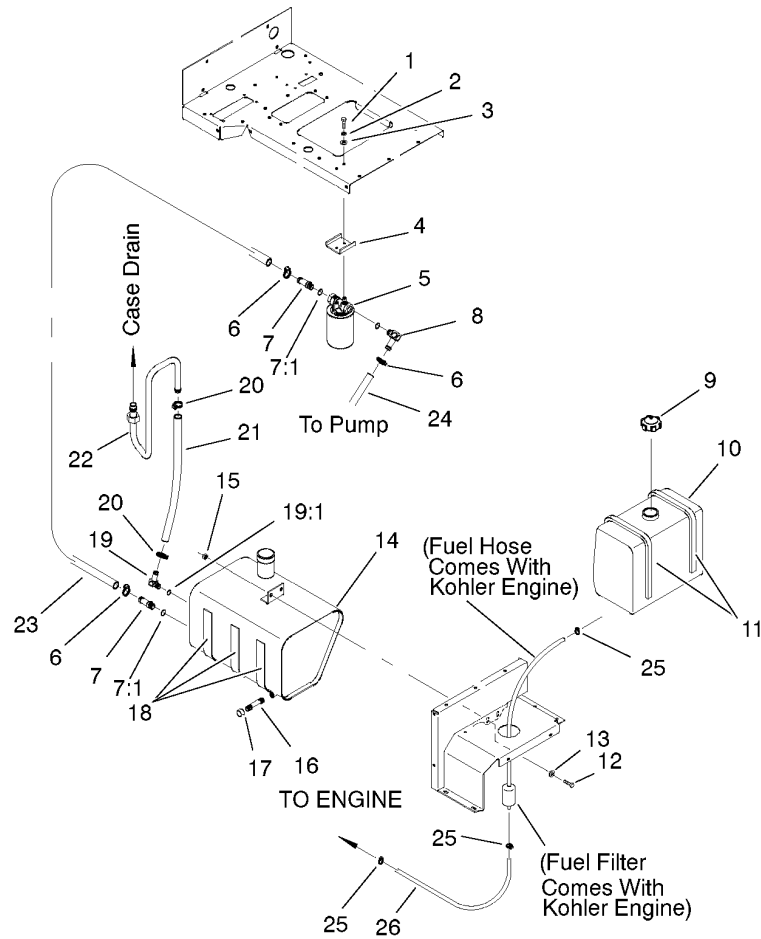
Ref	Part No.	Qty.	Description	
1	95-0249-01	1	Door-Hopper	
2	3231-2	8	Screw-CARR	
3	95-0247-01	4	Hinge-Door	
4	3256-24	8	Washer-Flat	
5	3296-39	8	Nut-Lock, NI	
6	95-0231-01	1	Hood-Screen	
7	95-0253-01	1	Screen-Clamp	
8	3229-1	26	Screw-CARR	
9	100-4013	1	Hood ASM	
9:2	67-7920	1	Decal	
10	3296-42	26	Nut-Lock, NI	
11	95-4829-01	4	Plate-Reinforcement	



Door Lift Assembly

Ref	Part No.	Qty.	Description
1	3296-59	14	Nut-Lock, NI
2	95-0313-03	2	Link-Door, Lower
3	3296-53	4	Nut-Lock, NI
4	3256-26	8	Washer-Flat
5	47-2890	8	Bushing
6	95-4857	8	Screw-Shoulder, Socket Hd
7	95-4767-03	1	Bracket-Door, Lift RH
8	95-0352-03	1	Bracket-Door, Lift LH
9	95-0316-03	2	Link-Door, Upper
11	95-0315-03	1	Link-Lift, LH
12	95-0393-03	1	Link-Lift, RH
13	98-3104	4	Stud-Ball
14	95-4902	2	Gas Spring ASM
14:1	85-7490	1	Decal-Warning
15	95-4781	2	Plate-Support, Hopper
16	17-1620	4	Bushing-Wheel
17	3231-28	6	Screw-CARR
18	01-259-0010	1	Handle-Grip
19	95-0322-03	1	Lift-Door
20	01-126-0110	2	Bushing
21	3256-27	4	Washer-Flat
22	3233-32	4	Screw-CARR
23	3256-24	6	Washer-Flat
24	95-4769	1	Knob-Clamping

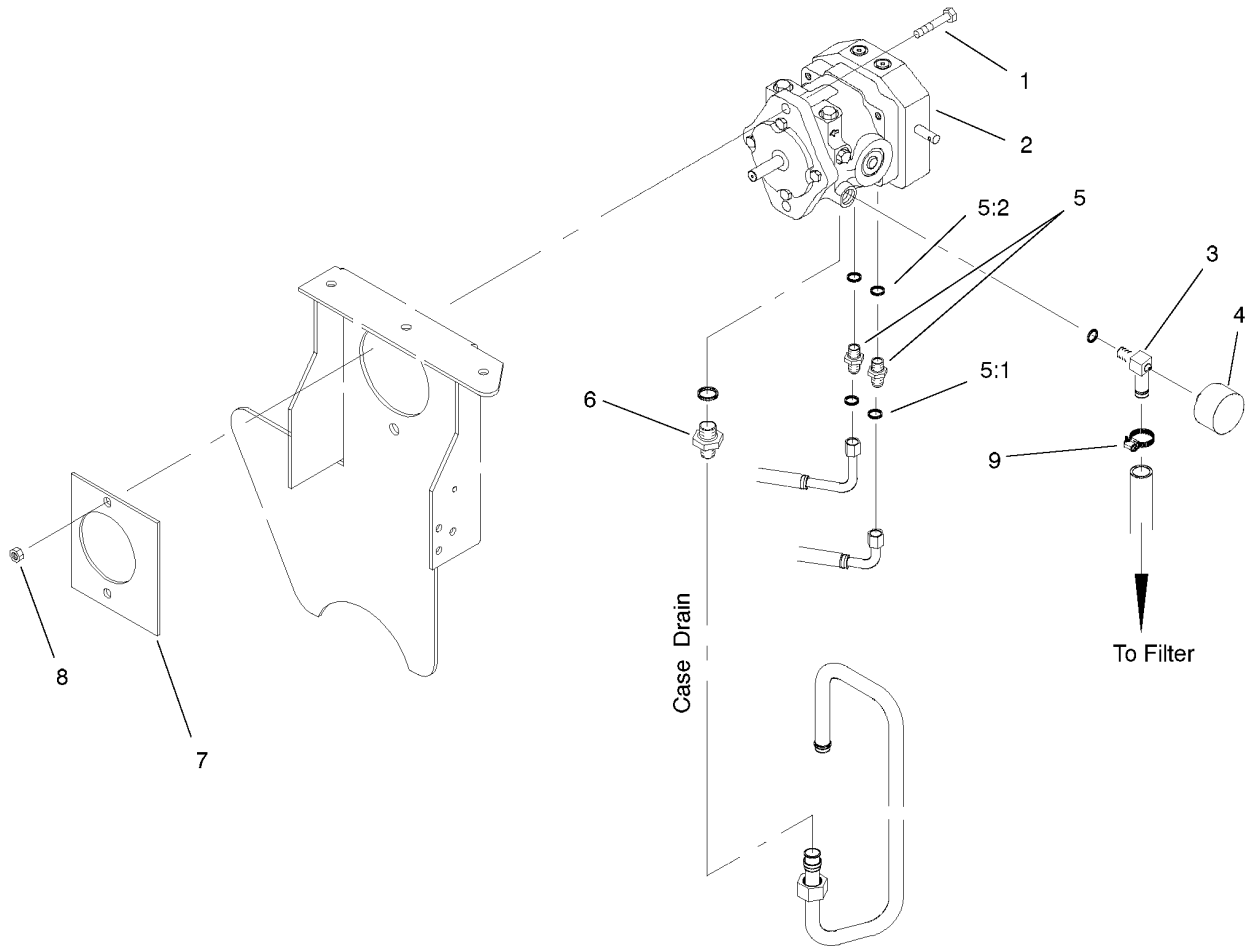
Ref	Part No.	Qty.	Description
25	3233-26	1	Screw-CARR
26	3253-4	2	Washer-Lock
27	3256-23	2	Washer-Flat



Hydraulic Reservoir And Fuel Tank Assembly

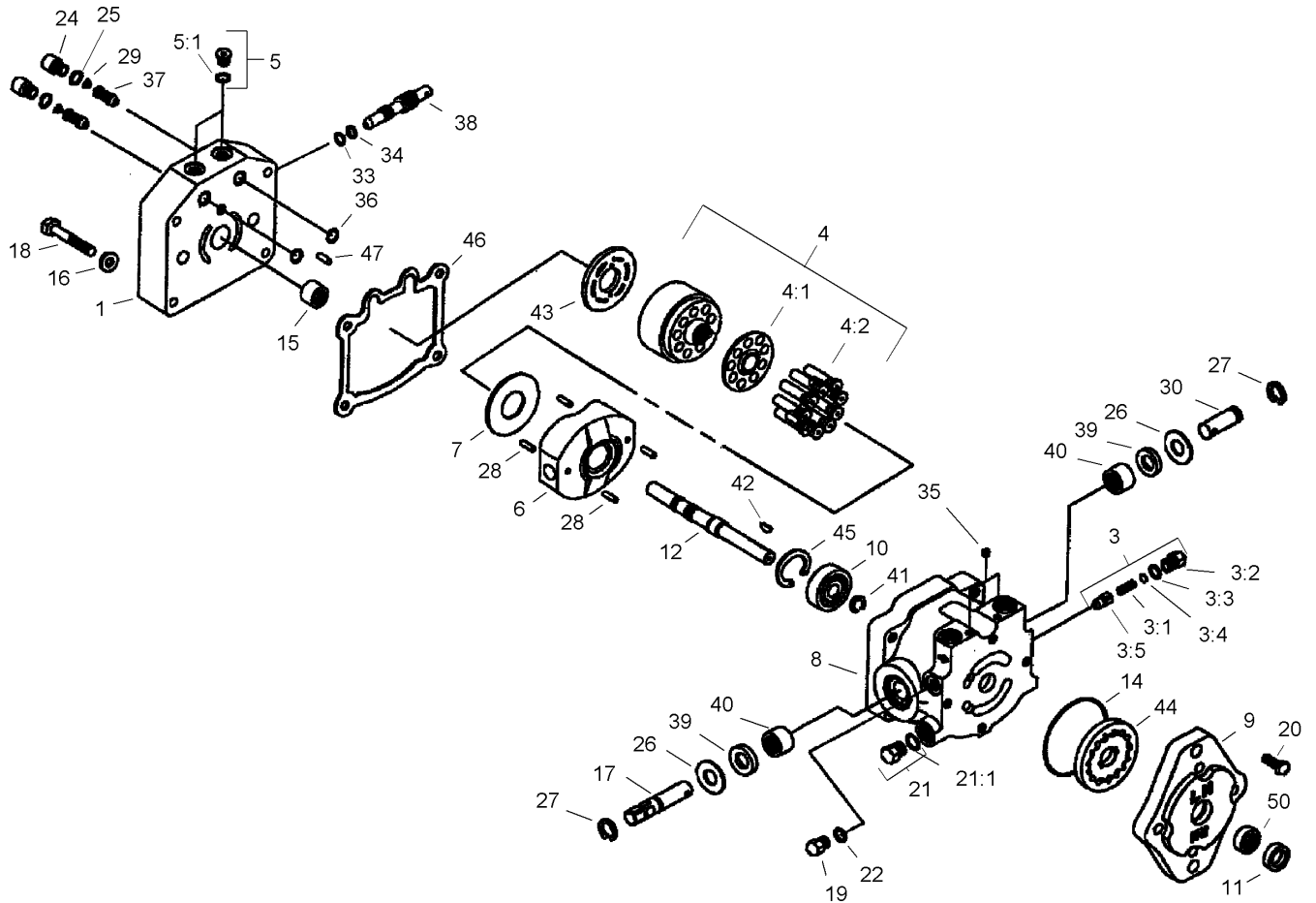
Ref	Part No.	Qty.	Description
1	321-9	2	Screw-HH
2	3253-3	2	Washer-Lock
3	3256-22	2	Washer-Flat
4	95-0267-03	1	Mount-Filter, Oil
5	95-4818	1	Oil Filter ASM
6	2412-34	3	Clamp-Hose
7	354-73	2	Fitting
7:1	237-81	1	O-Ring
8	01-201-1080	1	Fitting-HYD
9	95-4766	1	Fuel Cap ASM
10	62-4040	1	Tank-Fuel
11	95-4789	2	Sponge-Neoprene
12	323-6	2	Screw-HH
13	3256-24	2	Washer-Flat
14	95-0013	1	Tank-Hydraulic
15	3296-39	2	Nut-Lock, NI
16	289-51	1	Nipple
17	288-10	1	Cap-Pipe
18	18-204-1781	3	Strap-Tank, Gas
19	95-4779	1	Fitting-Hydraulic
19:1	237-80	1	O-Ring
20	2412-129	2	Clamp-Hose
21	95-4777	1	Hose-Hydraulic
22	95-4774	1	Tube-Drain, Case

Ref	Part No.	Qty.	Description
23	95-4776	1	Hose-Hydraulic
24	95-4775	1	Hose-Hydraulic
25	2412-108	3	Clamp-Worm
26	95-4801	1	Hose-Fuel



Pump Assembly

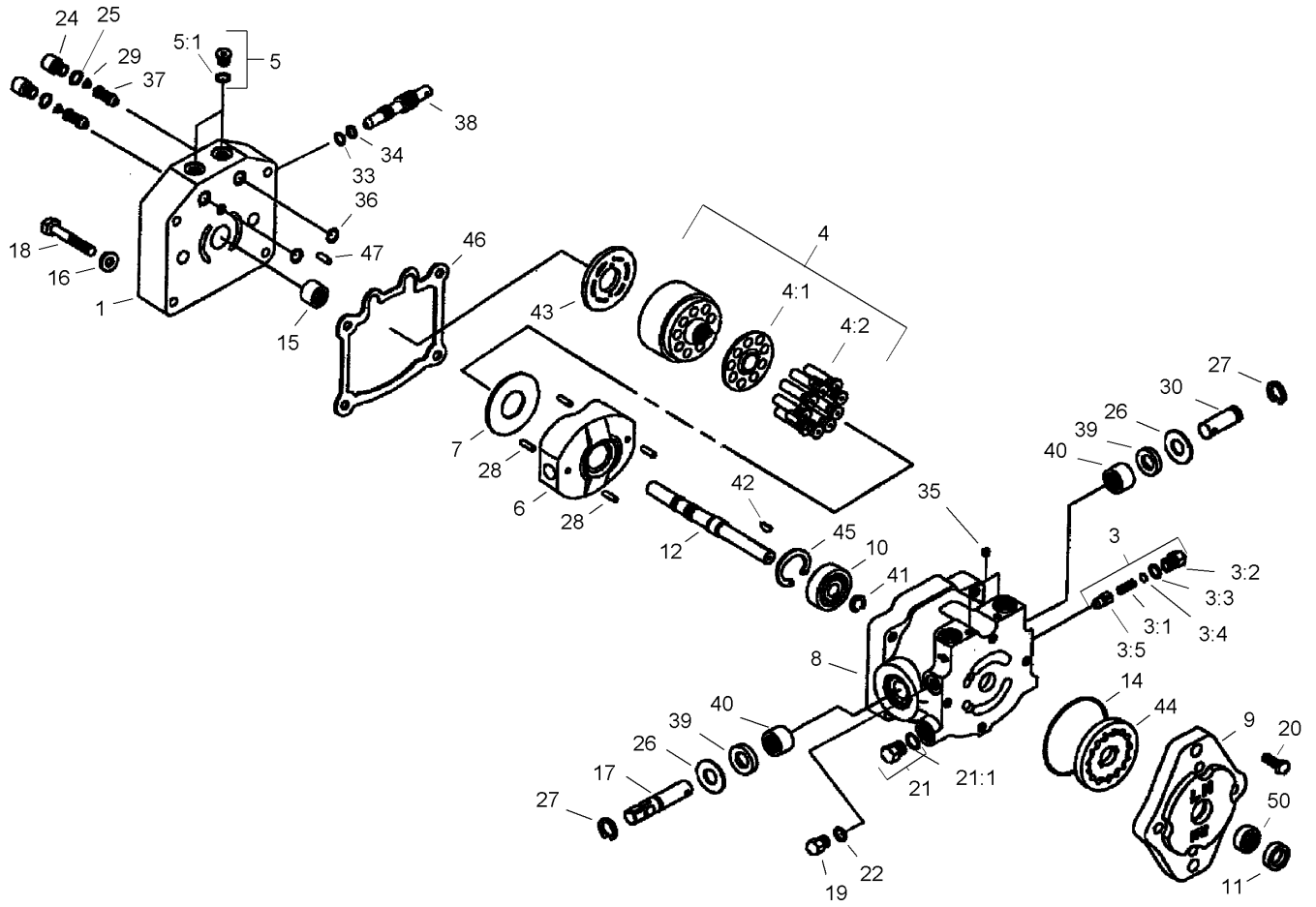
Ref	Part No.	Qty.	Description
1	3274-5	2	Screw-HSH
2	95-0156	1	Pump-Variable
3	95-4778	1	Fitting-Hyd, Barb
4	95-0334	1	Gauge-Vacuum
5	340-4	2	Fitting-Hyd, Sraight
5:1	237-30	1	O-Ring
5:2	237-79	1	O-Ring
6	01-201-4680	1	Fitting-Hyd
7	92-4679-01	1	Plate-Reinforcement, Hydrostat
8	3296-23	2	Nut-Lock, NI
9	2412-34	1	Clamp-Hose



Hydraulic Pump Assembly No. 95-0156

Ref	Part No.	Qty.	Description
1	95-4897	3	Cap-End
3	49-8510	1	Valve Kit
3:1	25-2480	1	Spring-Valve
3:2	25-2460	1	Plug-HH
3:3	237-86	1	O-Ring
3:4	25-2470	1	Pack-Shim
3:5	83-7260	1	Cone-Relief, Charge
4	48-1800	1	Cylinder Block Kit
④4:1		1	Retainer-Slipper
④4:2		9	Piston ASM
5	75-0170	2	Plug-Thread, Straight
5:1	92-8777	1	O-Ring
6	25-2450	1	Plate-Swash, Variable
7	25-2380	1	Plate-Thrust
8	95-4898	1	Variable Housing ASM
9	25-2690	1	Housing-Pump, Charge
10	95-5809	1	Bearing-Ball
11	93-4133	1	Seal-Lip
12	95-4899	1	Shaft
14	95-4904	1	O-Ring
15	67-8080	1	Bearing-Needle
16	93-0312	1	Washer-Hardened
17	88-8180	1	Shaft-Trunnion
18	323-12	4	Screw-HH

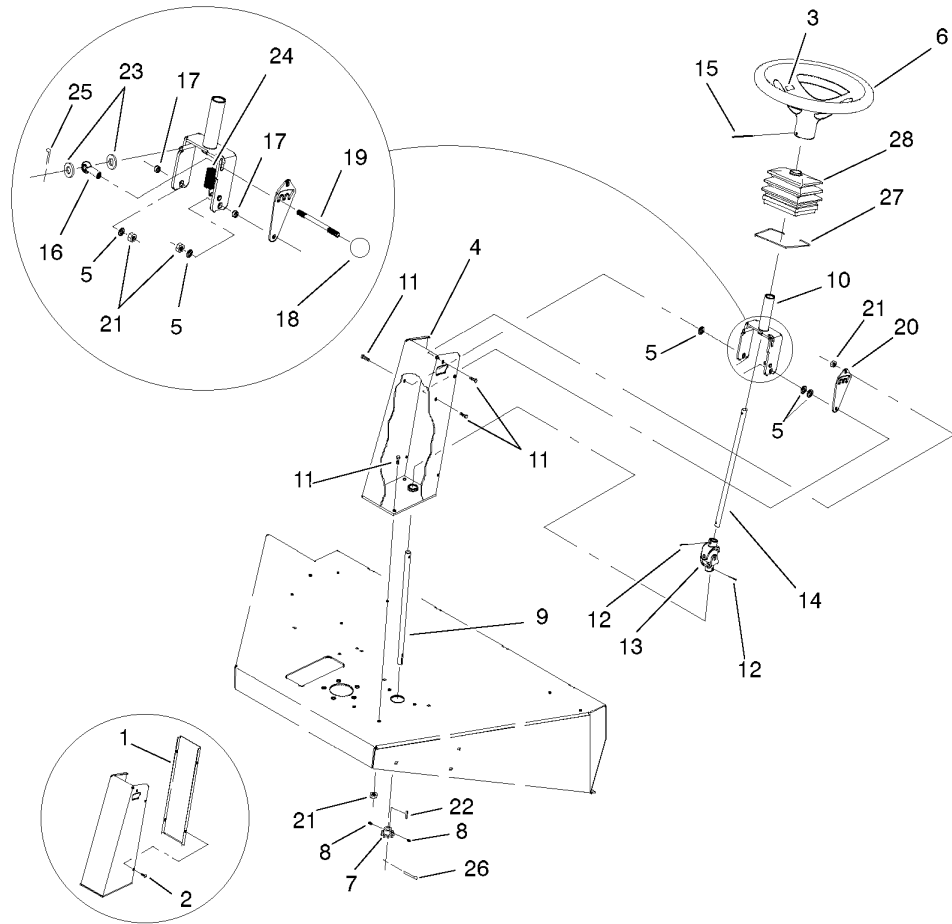
Ref	Part No.	Qty.	Description
19	25-2460	2	Plug-HH
20	322-4	4	Screw-HH
21	88-8210	1	Plug
21:1	237-80	1	O-Ring
22	28-3400	2	O-Ring
24	95-4900	2	Plug
25	75-0240	2	O-Ring
26	25-2510	2	Washer-Flat
27	32151-79	2	Ring-Retaining, Ext.
28	83-3880	4	Pin-Spring
29	75-0140	2	Spring-Conical
30	25-2500	1	Shaft-Trunnion
33	69-3840	1	O-Ring
34	25-2630	1	Ring-Back-Up
35	75-0160	2	Plug-Pipe
36	95-4903	2	O-Ring
37	95-4901	2	Valve
38	88-8220	1	Valve-By-Pass
39	25-3210	2	Seal-Lip
40	252-82	2	Bearing-Needle
41	94-3996	1	Ring-Retaining
42	3257-32	1	Key-Woodruff
43	88-8160	1	Plate-Valve
44	95-5812	1	Gerotor ASM



Hydraulic Pump Assembly No. 95-0156 (continued)

Ref	Part No.	Qty.	Description
45	32151-75	1	Ring-Retaining
46	25-2400	1	Gasket
47	25-2430	1	Pin-Dowel
●49	83-7260	1	Cone-Relief, Charge
50	67-8050	1	Bearing-Needle

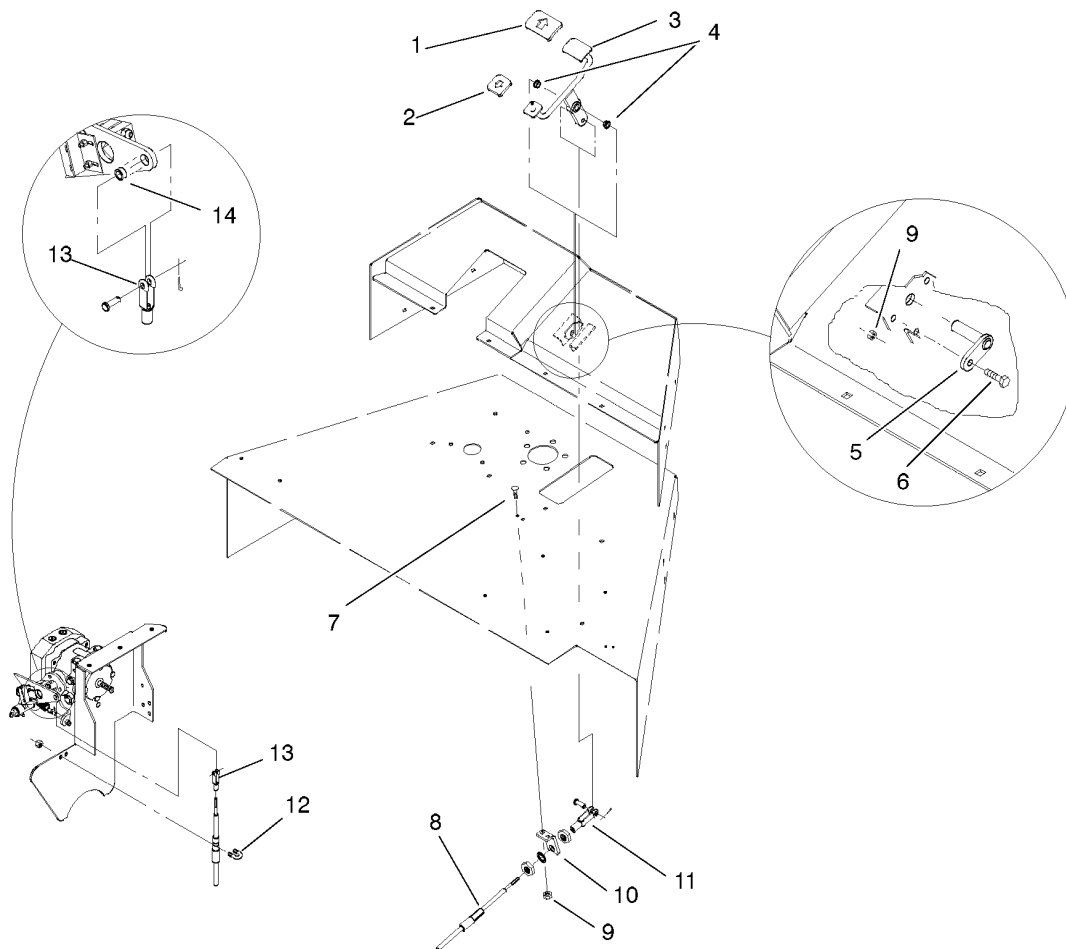
--	--	--	--



Tilt Assembly

Ref	Part No.	Qty.	Description
1	95-4746	1	Steering Cover ASM
2	87-6620	4	Screw
3	98-1459	1	Decal
4	95-4745	1	Housing-Steering
5	3256-23	5	Washer-Flat
6	98-1467	1	Wheel-Steering
①6:1	98-1468	1	Cover-Wheel, Steering
7	98-8871	1	Sprocket-Steering
8	3245-1	2	Screw-Set, HSH
9	98-8870	1	Shaft-Steering, Lower
10	95-4744	1	Bracket-Steering
11	322-5	7	Screw-HH
12	32121-15	2	Pin-Roll
13	85-9200	1	Knuckle-Steering
14	85-9220	1	Shaft-Steering, Upper
15	32121-111	1	Pin-Roll
16	95-4737	1	Rod End-Lever, Lift
17	85-9120	2	Spacer-Pivot, Tilt
18	233-42	1	Knob
19	95-4736	1	Shaft-Lever, Lift
20	95-4738	1	Sprocket-Adjustment, Tilt
21	3296-29	7	Nut-Lock, NI
22	10-8040	1	Key-Square
23	3256-24	2	Washer-Flat

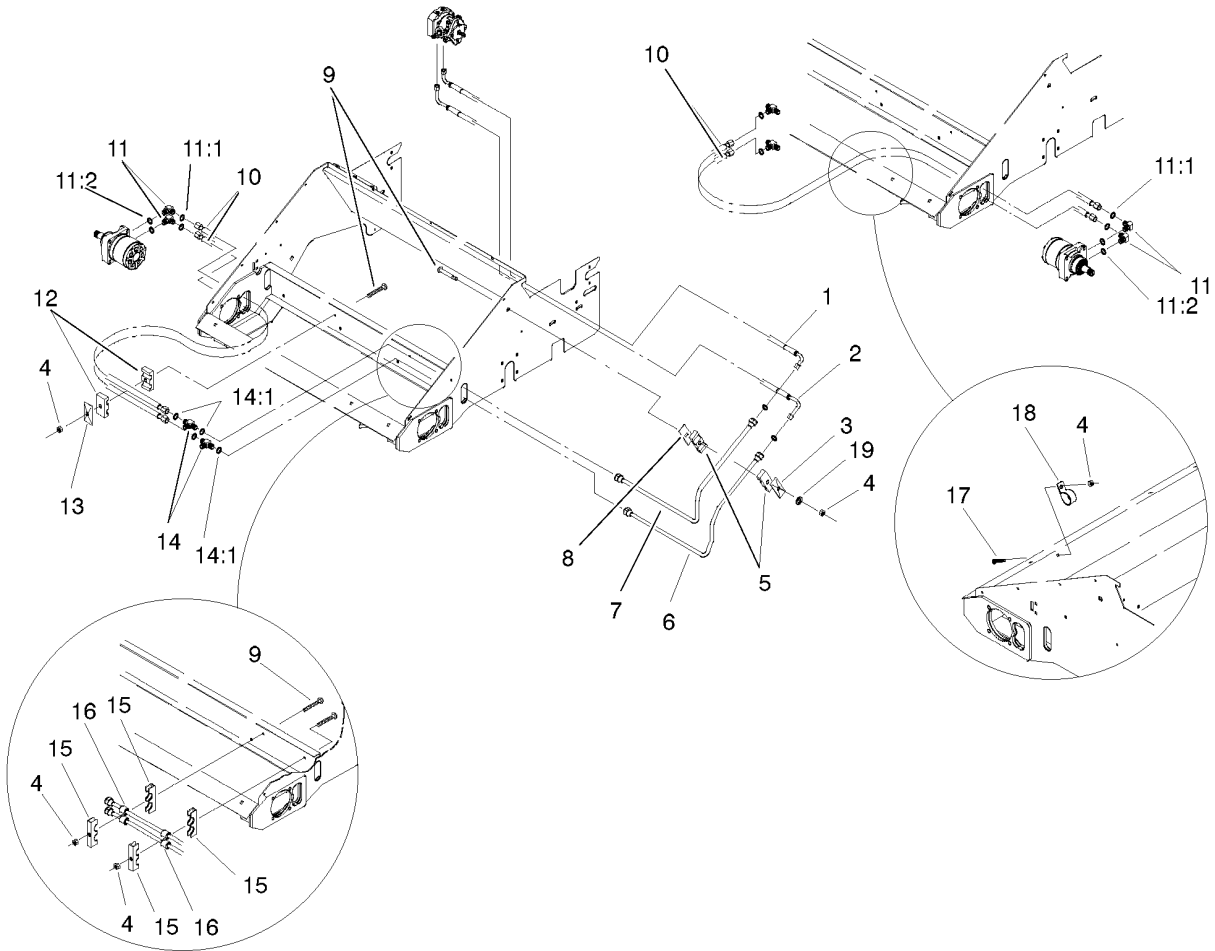
Ref	Part No.	Qty.	Description
24	95-4798	1	Spring-Tilt
25	3272-10	1	Pin-Cotter
26	3272-16	1	Pin-Cotter
27	85-8930	1	Retainer-Boot
28	95-4714	1	Boot-Steering



Traction Control Assembly

Ref	Part No.	Qty.	Description
1	74-9100	1	Pad-Pedal, Forward
2	74-9110	1	Pad-Pedal, Reverse
3	95-4708-01	1	Pedal-Traction
4	256-156	2	Bushing-Flange
5	95-4808	1	Pin-Traction
6	321-4	1	Screw-HH
7	3229-2	2	Screw-CARR
8	92-4699	1	Cable-Traction
9	3296-42	3	Nut-Lock, NI
10	92-4676-01	1	Mount-Cable
11	95-4727	1	Clevis-Pedal, Traction
12	95-4731	1	U-Bolt
13	95-4728	1	Clevis
14	95-4721	1	Bushing-Straight

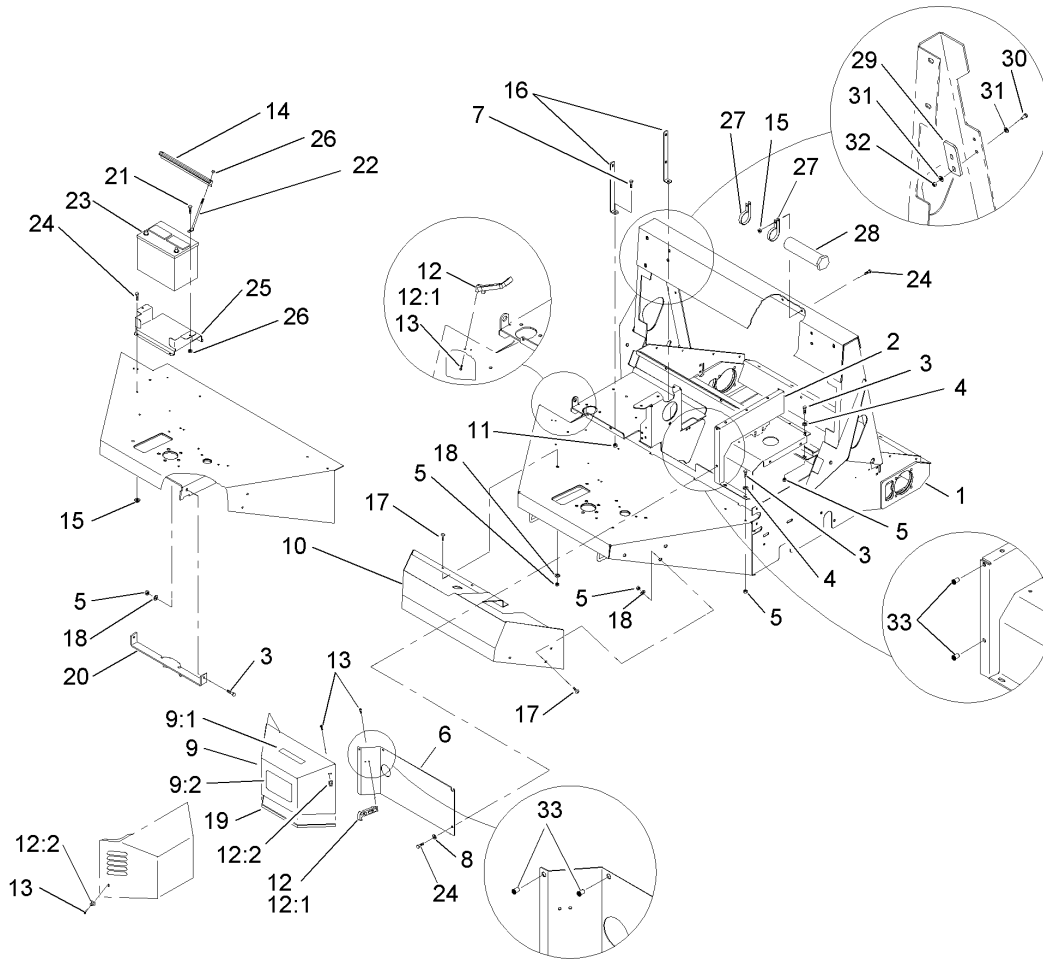
--	--	--	--



Hydraulic Tube and Hose Assembly

Ref	Part No.	Qty.	Description
1	95-4755	1	Hose-Hydraulic (B)
2	95-4754	1	Hose-Hydraulic (A)
3	95-4795	1	Plate-Clamp
4	3296-29	5	Nut-Lock, NI
5	95-4794	1	Clamp-Twin
6	95-0264	1	Tube ASM
7	95-0263	1	Tube ASM
8	95-4793	1	Plate-Clamp
9	3230-32	4	Screw-CARR
10	95-4753	4	Hose-Hydraulic
11	340-17	4	Fitting-Hyd, 90 DEG
11:1	237-65	1	O-Ring
11:2	237-80	1	O-Ring
12	95-4791	1	Clamp-Twin
13	95-4792	1	Plate-Clamp
14	340-19	2	Fitting
14:1	237-65	3	O-Ring
15	95-0277	2	Bracket-Tube
16	95-0276	4	Bushing-Rubber
17	3230-1	1	Bolt-CARR
18	92-4372	1	Retainer-Hose
19	3256-23	1	Washer-Flat

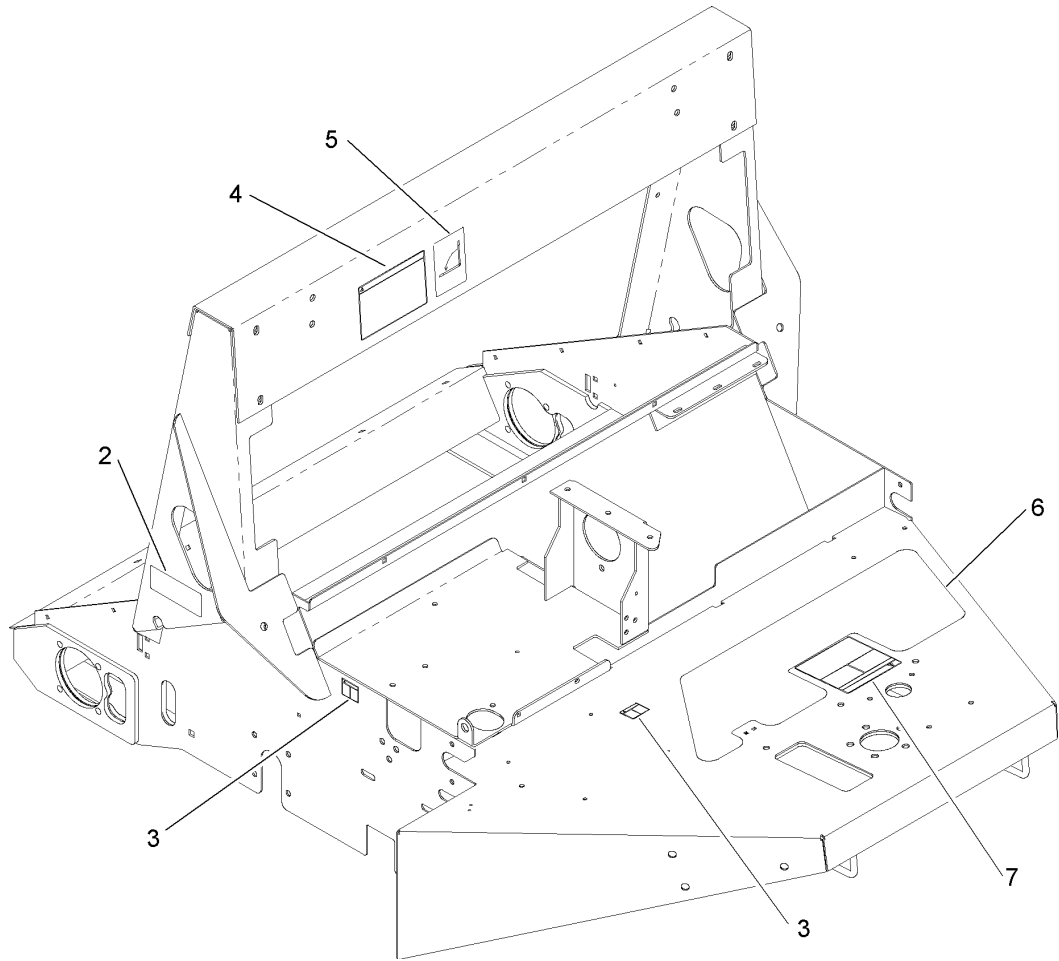
--	--	--	--



Main Frame Assembly

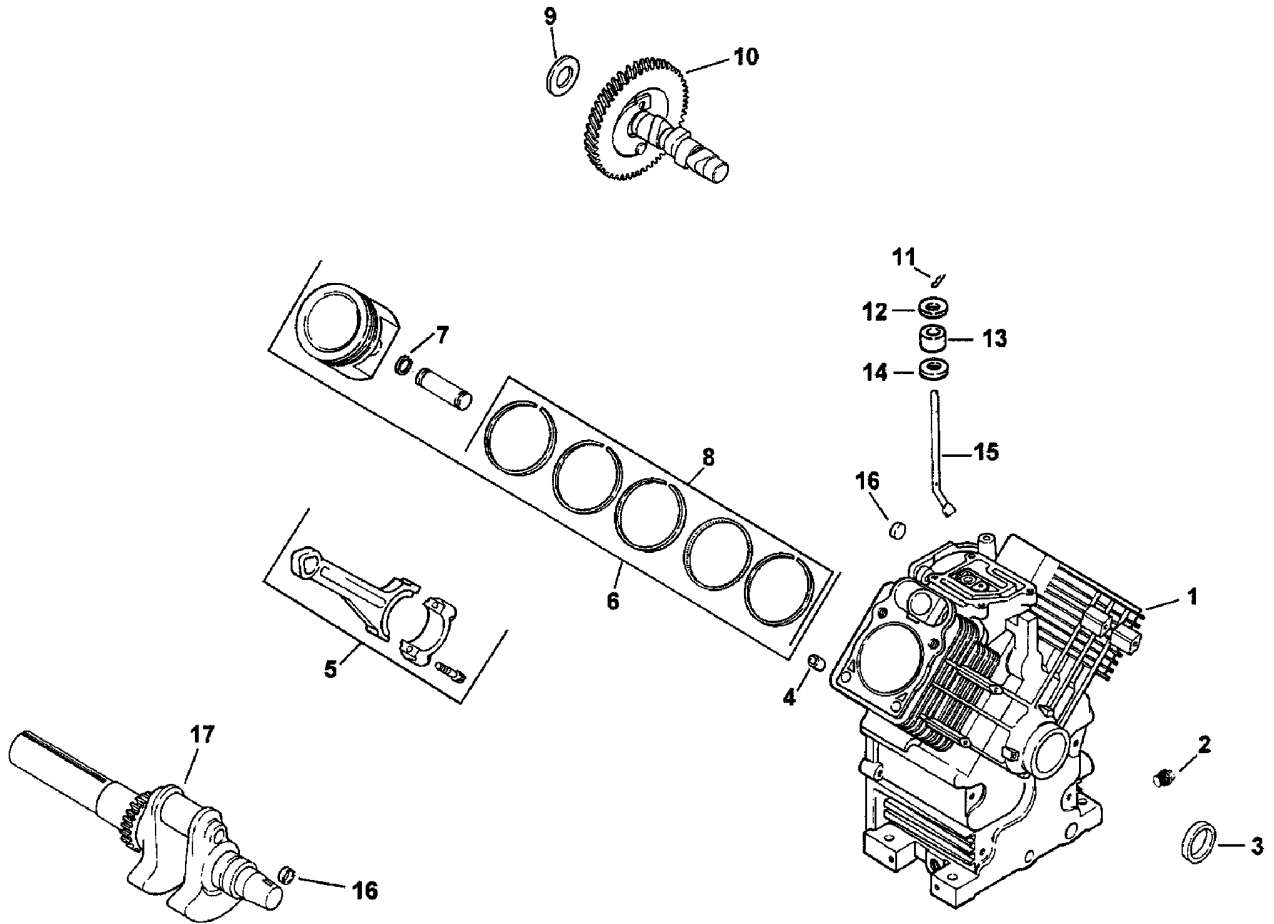
Ref	Part No.	Qty.	Description
1	100-4012	1	Main Frame ASM
2	95-0395-03	1	Mount-Cover, Access
3	322-5	7	Screw-HH
4	3256-23	5	Washer-Flat
5	32128-20	17	Nut-HF
6	95-0165-03	1	Plate-Seat, Front
7	323-6	2	Screw-HH
8	3256-22	3	Washer-Flat
9	95-4855	1	Hydrostat Guard ASM
9:1	67-5360	1	Decal-Danger
9:2	67-7320	1	Decal
10	95-4717-01	1	Riser-Board, Floor
11	32128-43	2	Nut-Flange
12	94-5626	2	Latch-Draw, Flexible
12:1	100-5806	1	Handle-Latch
12:2	100-5807	1	Keeper-Latch
13	32105-8	5	Screw
14	24-6420-03	1	Holddown-Battery
15	32128-33	6	Nut-HF
16	95-4709-03	2	Bar-Support, Access Cover
17	3230-2	10	Bolt-CARR
18	3256-3	14	Washer-Flat
19	95-4833	1	Edging-Rubber
20	95-4761-03	1	Stop-Steering

Ref	Part No.	Qty.	Description
21	322-3	2	Screw-HH
22	24-6390	2	Stud-Holddown, Battery
23	55-7291	1	Battery (Wet)
24	321-4	8	Screw-HH
25	95-0172-03	1	Mount-Battery
26	3296-29	3	Nut-Lock, NI
27	2412-133	2	R-Clamp
28	74-0720	1	Tube-Manual
29	95-4784-03	1	Plate-Stop, Linkage
30	323-7	2	Screw-HH
31	3256-4	4	Washer-Flat
32	3296-39	2	Nut-Lock, NI
33	32148-6	4	Insert-Nut



Main Frame Decal Assembly No. 100-4012

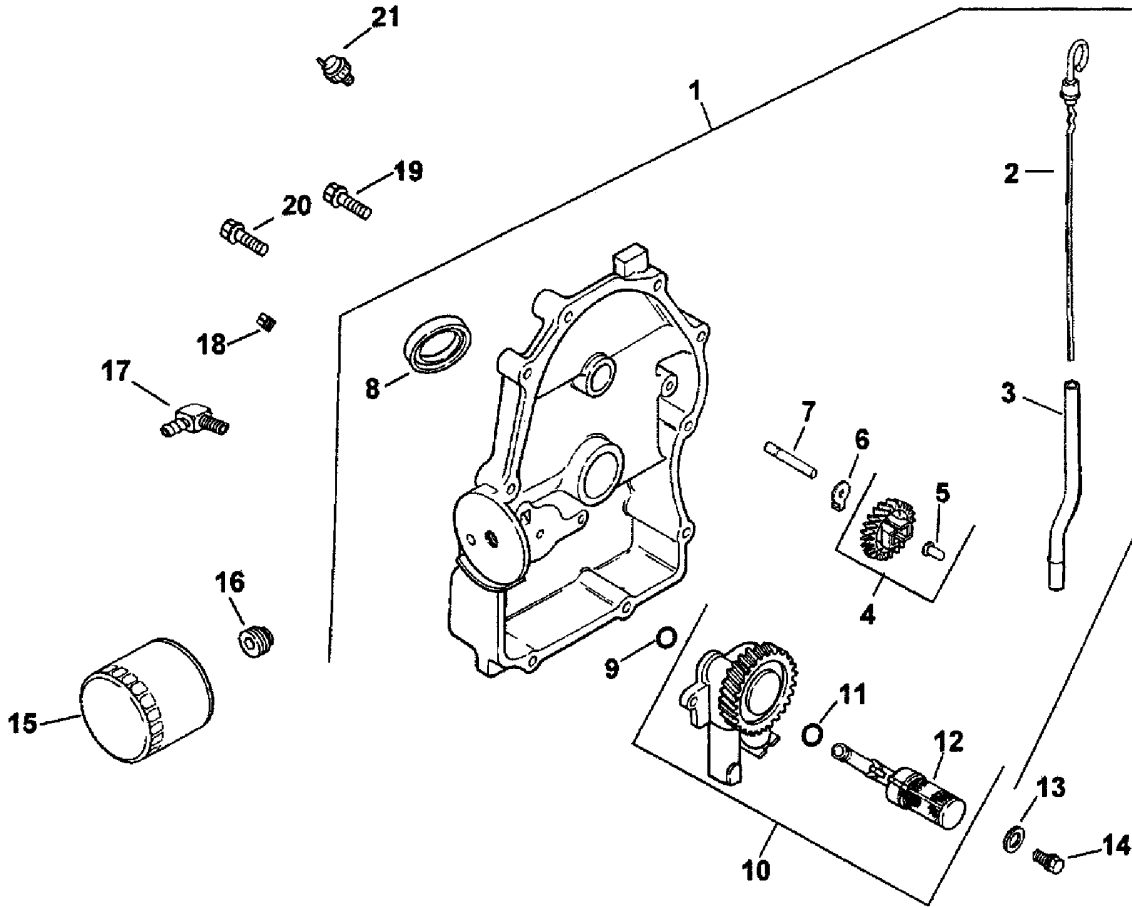
Ref	Part No.	Qty.	Description				
2	82-4600	2	Decal-Hydro				
3	88-8950	2	Decal-Warning				
4	95-0387	1	Decal-Instruction, Operating				
5	95-0388	1	Decal-Operating, Hopper				
6	95-0398	1	Tread-Floorboard				
7	01-506-0090	1	Decal-Sweeping On Slope				



Crankshaft And Crankcase Assembly Kohler Ch18s PS-62595

Ref	Part No.	Qty.	Description
2 1		1	Block-Cylinder (Use Mini-Block)
2	25 139 57-S	2	Plug-SQH
3	24 380-13-S	1	Seal-Oil Front
4	12 380 17-S	6	Pin, Dowel Locating
5	24 067 13-S	2	Rod-Connecting (Std)
6	24 067 14-S	2	Rod-Connecting (.25)
6	24 874 17-S	2	Piston W/ring Set (Std.)(Incl. #7 & 8)
6	24 874 18-S	2	Set-Piston W/ring(.25)
6	24 874 19-S	2	Set-Piston W/ring(.50)
7	24 018 01-S	4	Retainer-Piston Pin
8	24 108 11-S	2	Ring Set (Std.)
8	24 108 12-S	2	Ring Set (.25)
8	24 874 13-S	2	Ring Set (.50)
9	12 422 09-S	0	Shim-Camshaft
9	12 422 13-S	0	Shim-Camshaft
9	12 422 07-S	0	Shim-Camshaft
9	12 422 08-S	0	Shim-Camshaft
9	12 422 10-S	0	Shim-Camshaft
9	12 422 11-S	0	Shim-Camshaft
9	12 422 12-S	0	Shim-Camshaft
10	24 012 10-S	1	Camshaft
11	24 018 09-S	1	Retainer-Ring
12	M-931010-S	1	Washer-Flat

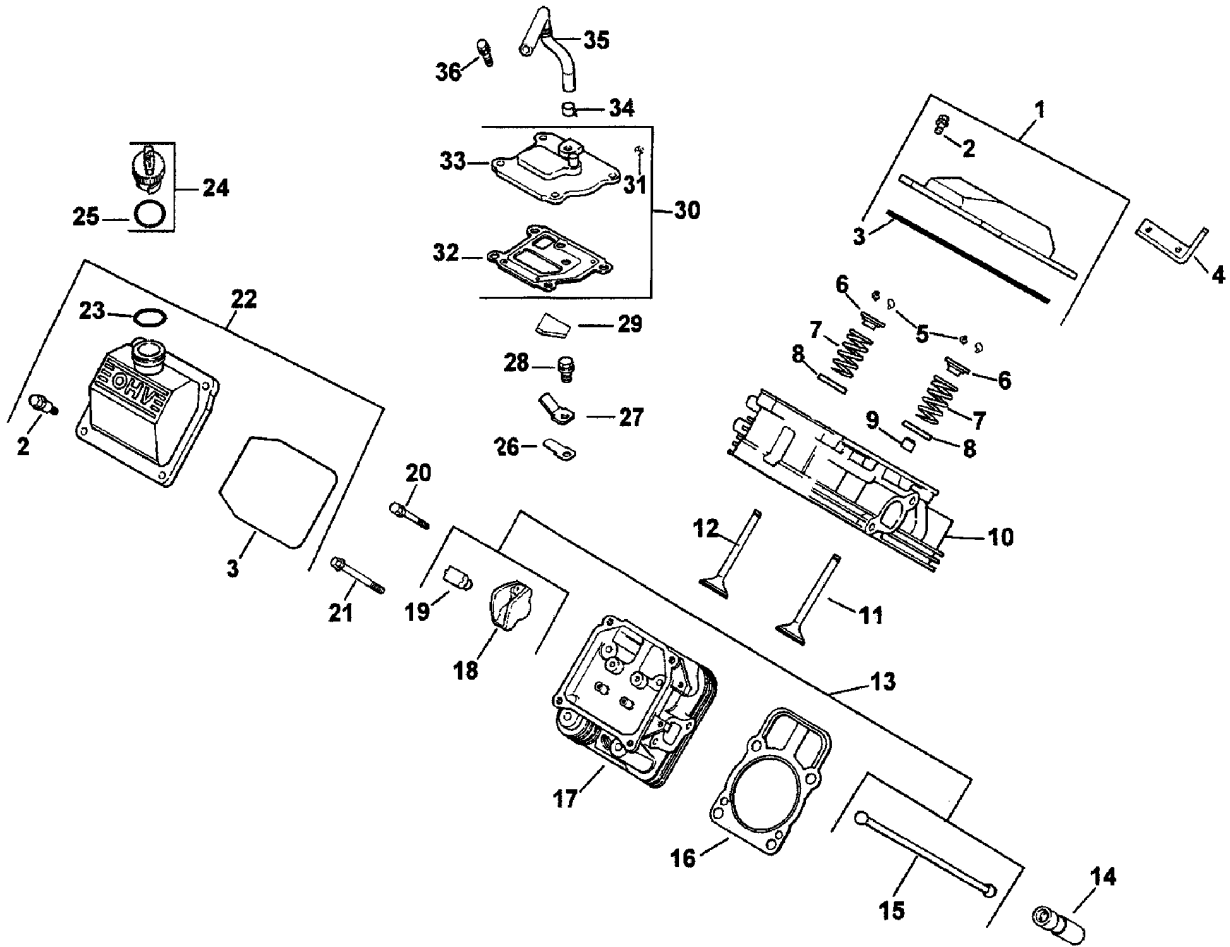
Ref	Part No.	Qty.	Description
13	28 032 09-S	1	Seal-Governor Cross
14	24 468 15-S	1	Washer
15	24 144 33-S	1	Shaft-Governor Shaft
16	52 139 09-S	2	Plug-Cup
17	24 014 84-S	1	Crankshaft (Incl #16)
18	24 755 107-S	1	Gasket Set
18	24 782 15-S	1	Miniblock



Oil Pan And Lubrication Assembly Kohler Ch18s PS-62595

Ref	Part No.	Qty.	Description
①	24 009 82-S	1	Closure Plate ASM (Incl #2-12)
②	24 038 10-S	1	Dipstick
③	24 755 121-S	1	Dipstick Tube Kit
④	24 043 12-S	1	Kit-Governor Gear (Incl #5)
⑤	12 380 01-S	1	Pin, Gvrn. Regulating
⑥	52 448 02-S	1	Tab-Locking
⑦	12 144 02-S	1	Shaft-Governor Gear
⑧	52 032 08-S	1	Seal-Oil
⑨	24 153 08-S	1	O-Ring
⑩	24 393 10-S	1	Oil Pump ASM (Incl #11-12)
⑪	24 153 01-S	1	"o"ring
⑫	24 381 04-S	1	Pick-Up-Oil
⑬	M-631005-S	2	Washer-Flat
⑭	M-645025-S	2	Screw-HF
⑮	52 050 02-S	1	Filter-Oil
⑯	24 136 01-S	1	Nipple,oil Filter
⑰	25 155 02-S	1	Connector
⑱	25 139 60-S	1	Plug-Allen Head
⑲	24 086 16-S	9	Screw
⑳	24 086 17-S	1	Screw-HF
㉑	25 099 24-S	1	Switch-Oil Pressure
①④	25 113 05-S	1	Decal-Oil Sentry

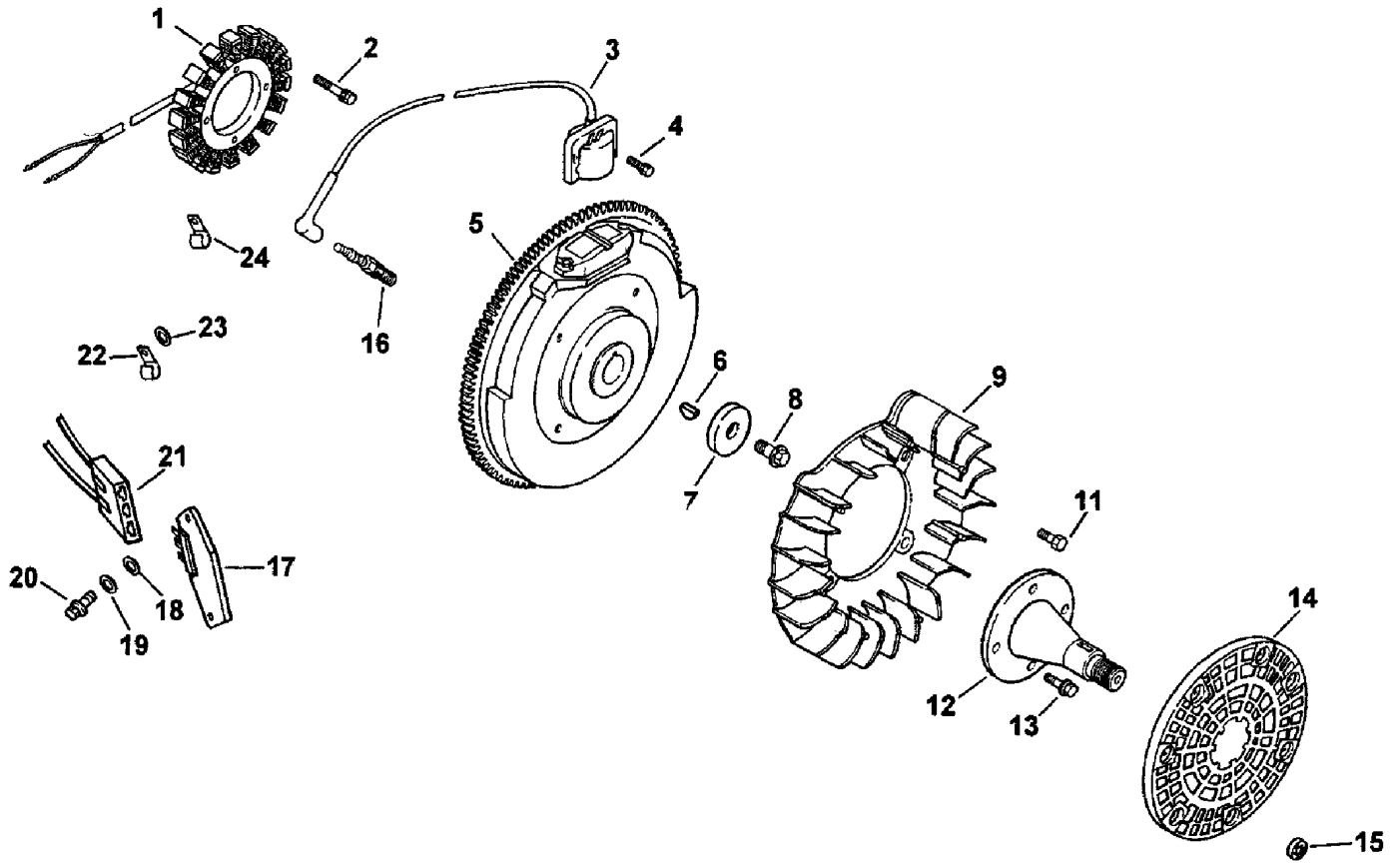
--	--	--	--



Head, Valve And Breather Assembly Kohler Ch18s ps-62595

Ref	Part No.	Qty.	Description
④1	24 755 74-S	1	Kit-Valve Cover-Plain (Incl #2-3)
④2	24 086 32-S	4	Screw-Shoulder
④3	24 153 16-S	1	O-Ring
④4	24 445 01-S	1	Strap-Lifting
④5	12 755 03-S	4	Kit-Retainer
④6	12 173 01-S	4	Cap-Valve Spring
④7	24 089 02-S	4	Spring-Valve
④8	230511-S	4	Retainer-Spring
④9	24 032 05-S	2	Seal-Valve Stem
④10	24 318 68-S	1	#1 Cylinder Head ASM
④11	24 017 01-S	2	Valve-Intake (Std)
①④	24 017 02-S	2	Valve-Intake (.25)
④12	24 016 01-S	2	Valve-Exhaust (Std)
①④	24 016 02-S	2	Valve-Exhaust (.25)
④13	24 755 66-S	1	Kit-Valve Train (Incl #15, 18-19)
④14	25 351 01-S	4	Lifter-Valve
④15	24 411 05-S	4	Rod-Push
④16	24 041 05-S	2	Gasket-Cylinder Head
④17	24 318 71-S	1	#2 Cylinder Head ASM
④18	25 186 01-S	4	Arm-Rocker
④19	24 599 01-S	4	Pivot-Rocker Arm
④20	M-640034-S	4	Screw-HF
④21	12 072 09-S	8	Stud-Cylinder Head
①④	24 468 16-S	8	Washer,flat

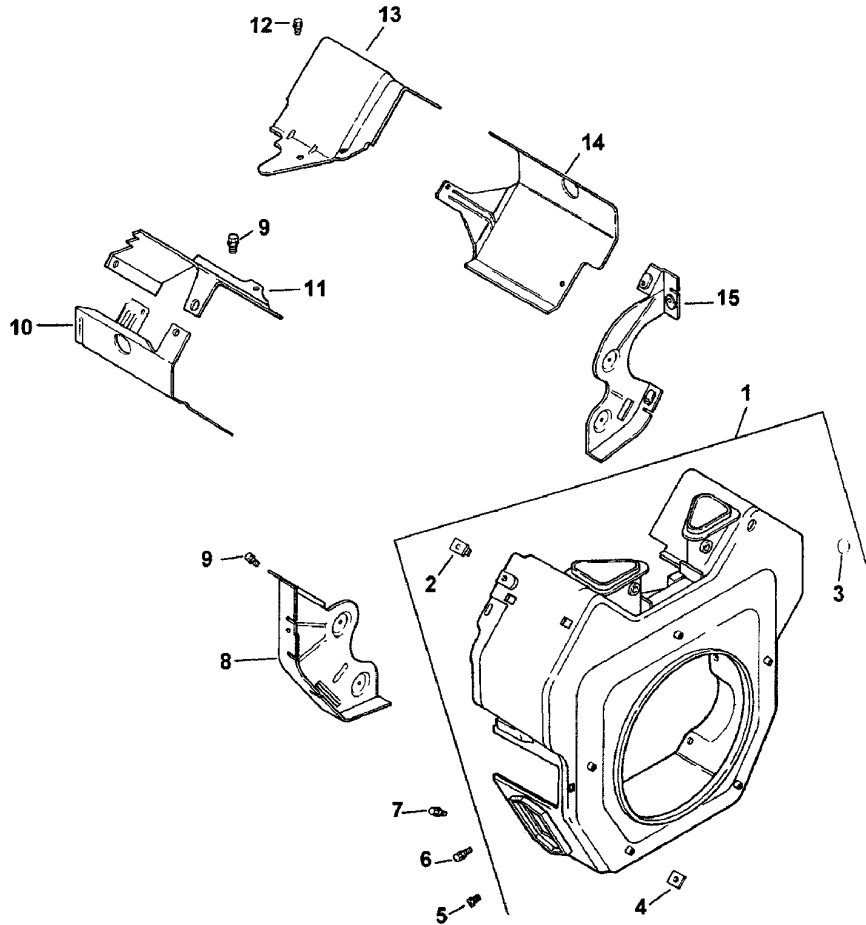
Ref	Part No.	Qty.	Description
①④	24 100 10-S	8	Nut-HF
④22	24 755 75-S	1	Kit-Valve Cover-Oil Fill (Incl #2, 3 & 23)
④23	24 153 09-S	1	O-Ring
④24	25 755 13-S	1	Kit-Oil Fill Cap (Incl #25)
④25	12 153 03-S	1	O-Ring
④26	24 402 03-S	1	Reed
④27	12 018 01-S	1	Retainer-Reed
④28	M-545010-S	1	Nut-HF
④29	24 050 01-S	1	Filter-Breather
④30	24 033 01-S	1	Kit-Breather Coverw/gasket (Incl #31-33)
④31	25 139 60-S	1	Plug-Allen Head
④32	24 041 23	1	Gasket-Breather
④33	24 096 58-S	1	Cover-Breather
④34	25 237 14-S	1	Clamp-Hose
④35	24 326 26-S	1	Hose-Breather
④36	M-645020-S	4	Screw-HF



Ignition And Electrical Assembly Kohler Ch18s ps-62595

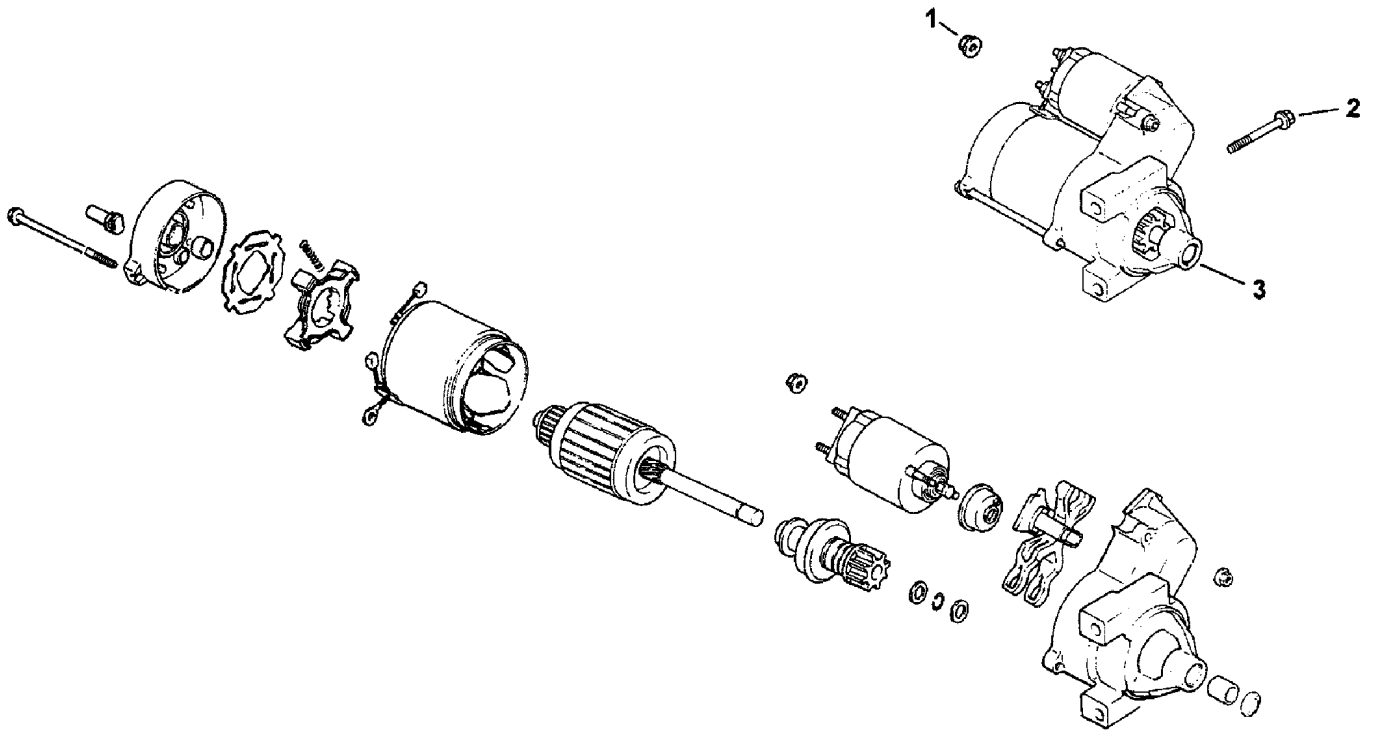
Ref	Part No.	Qty.	Description
1	54 755 09-S	1	Kit-15 Amp Stator(Incl #24 176 71 Bracket)
2	M-548025-S	2	Screw-Hex Cap
3	24 584 01-S	2	Module-Ignition
4	M-545020-S	4	Screw-HF
5	24 025 04-S	1	Flywheel
6	X-42-15-S	1	Key
7	12 468 03-S	1	Washer
8	12 086 14-S	1	Screw
9	24 157 01-S	1	Fan
11	25 086 47-S	4	Bolt-Shoulder
12	24 144 23-S	1	Shaft-Front Drive
13	M-839025-S	4	Scerw-HF
14	24 162 16-S	1	Screen-Grass
15	24 018 03-S	3	Retainer
16	12 132 06-S	2	Plug-Spark
17	25 403 03-S	1	Rectifier-Regulator
18	X-22-11-S	1	Washer-Lock
19	X-25-92-S	2	Washer
20	24 086 18-S	2	Screw
21	236602-S	1	Connector
22	235173-S	1	Clip-Cable
23	X-25-63-S	1	Washer
24	48 154 02-S	1	Clip-Cable

Ref	Part No.	Qty.	Description
1	24 176 51-S	1	Harness-Wiring
1	25 518 12-S	1	Lead-Black (5"-18ga.)
1	24 176 71-S	1	Bracket-Stator Wire



Blower Housing And Baffle Assembly Kohler Ch18s ps-62595

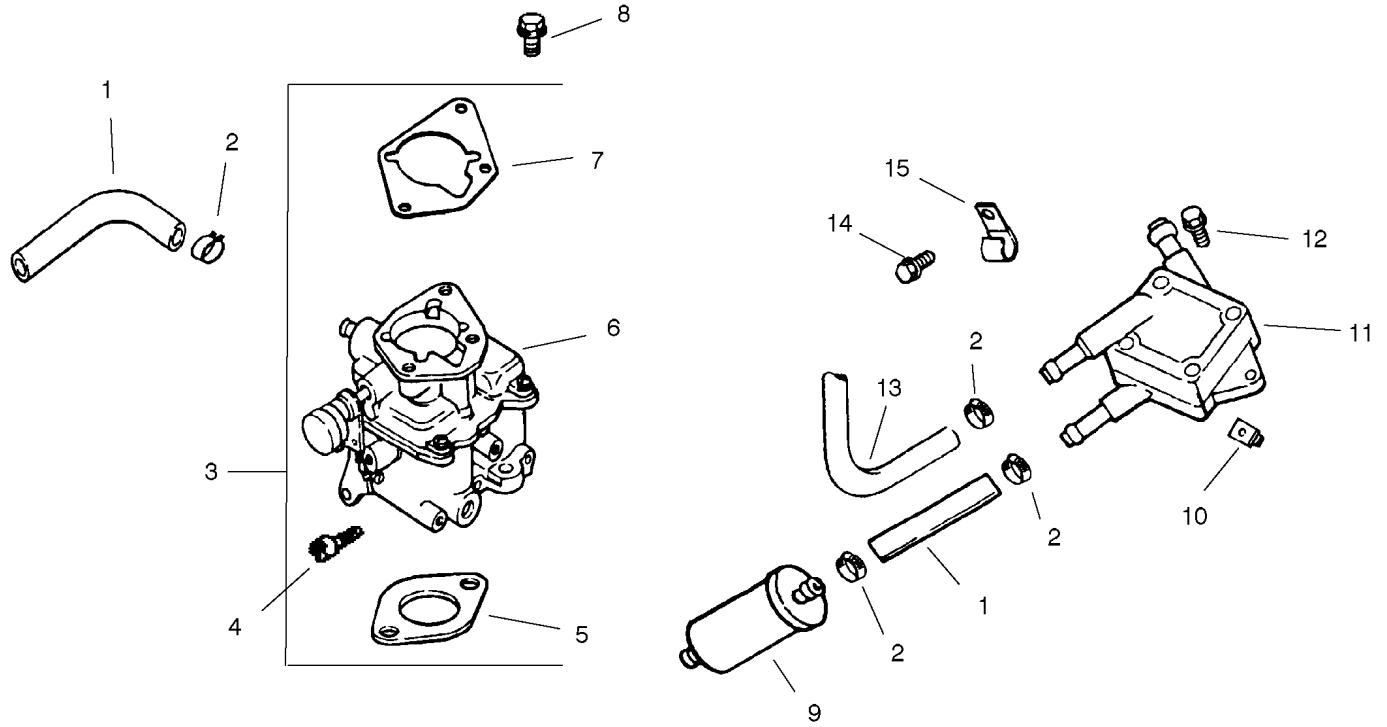
Ref	Part No.	Qty.	Description
①	24 027 20-S	1	Housing-Blower (Incl #2-4)
②	24 100 01-S	3	Nut
③	25 139 16-S	1	Plug-Button
④	24 100 02-S	2	Nut-Plastic
⑤	M-551016-S	1	Screw-HF
⑥	M-545016-S	3	Screw-HF
⑦	M-545020-S	5	Screw-HF
⑧	24 146 16-S	1	Plate-Backing, #2 Side
⑨	M-645016-S	6	Screw-HF
⑩	24 063 20-S	1	Baffle-Cylinder Barrel, #2 Side
⑪	24 063 17-S	1	Baffle-Valley #2 Side
⑫	M-545010-S	2	Nut-HF
⑬	24 063 24-S	1	Baffle, Valley 1 Side
⑭	24 063 58-S	1	Baffle-Cylinder, #2 Side
⑮	24 146 20-S	1	Plate-Backing, #1 Side
①④	24 113 94-S	1	Decal-Hp



Starting System Assembly Kohler Ch18s ps-62595

Ref	Part No.	Qty.	Description
①	M-839080-S	2	Screw-HF
②	24 098 08-S	1	Starter-Solenoid Shift (Incl #4-18)
③	M-841080-S	1	Nut-HF
④	25 755 33-S	1	Kit-Pinion Cover
⑤	25 221 01-S	1	Brush Kit
⑥	25 435 04-S	1	Kit-Solenoid

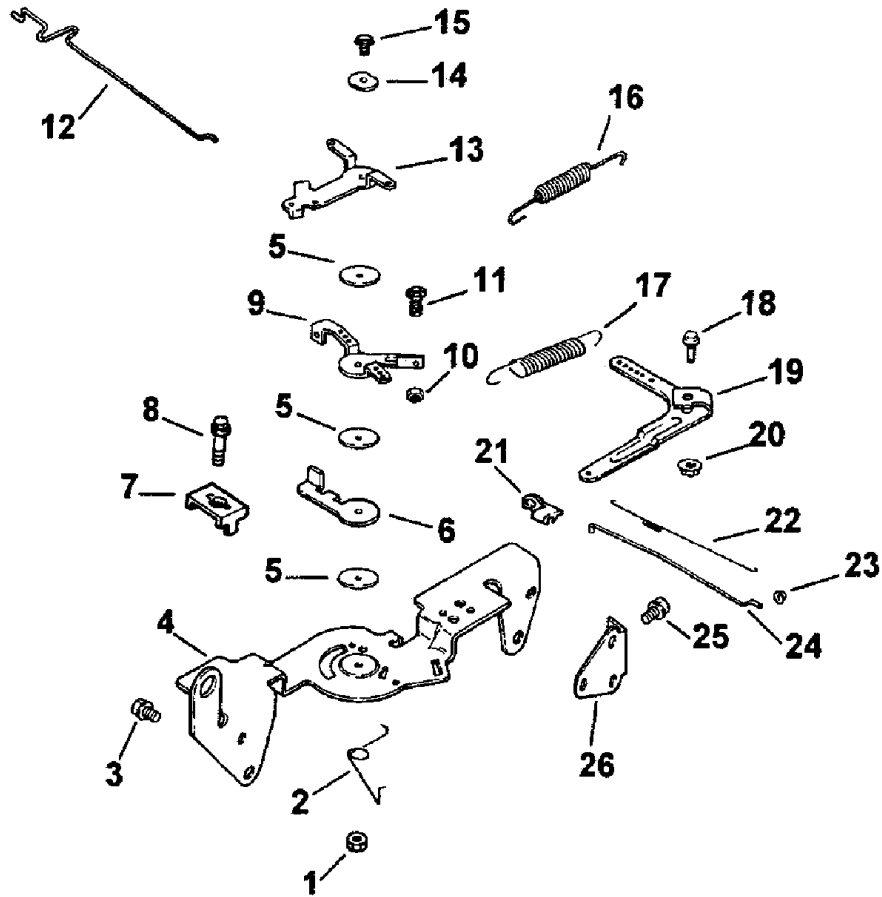
--	--	--	--



Fuel System Assembly Kohler Ch18s ps-62595

Ref	Part No.	Qty.	Description
④1	25 353 32-S	2	Line-Fuel
④2	25 237 14-S	6	Clamp-Hose
④3	24 853 35-S	1	Kit-Carburetor W/gasket (Incl #4-7)
④4	24 086 05-S	1	Screw-Throttle Stop
④5	24 041 17-S	1	Gasket-Carburetor
④6	24 053 32-S	1	Carburetor ASM (Incl #9, 10, 16-43)(For Information Only, Not Available Separately)
④7	24 041 06-S	1	Gasket-Air Cleaner
④8	M-651030-S	2	Screw-HF
④9	24 050 02-S	1	Filter-Fuel
④10	24 100 01-S	2	Nut
④11	24 393 16-S	1	Pump-Fuel
④12	24 086 12-S	2	Screw
④13	24 353 02-S	1	Line-Fuel
①④	24 757 01-S	1	Solenoid Kit
①④	24 757 02-S	1	Float Kit
①④	24 757 03-S	1	Carburetor Repair Kit
①④	24 757 07-S	1	Choke Repair Kit

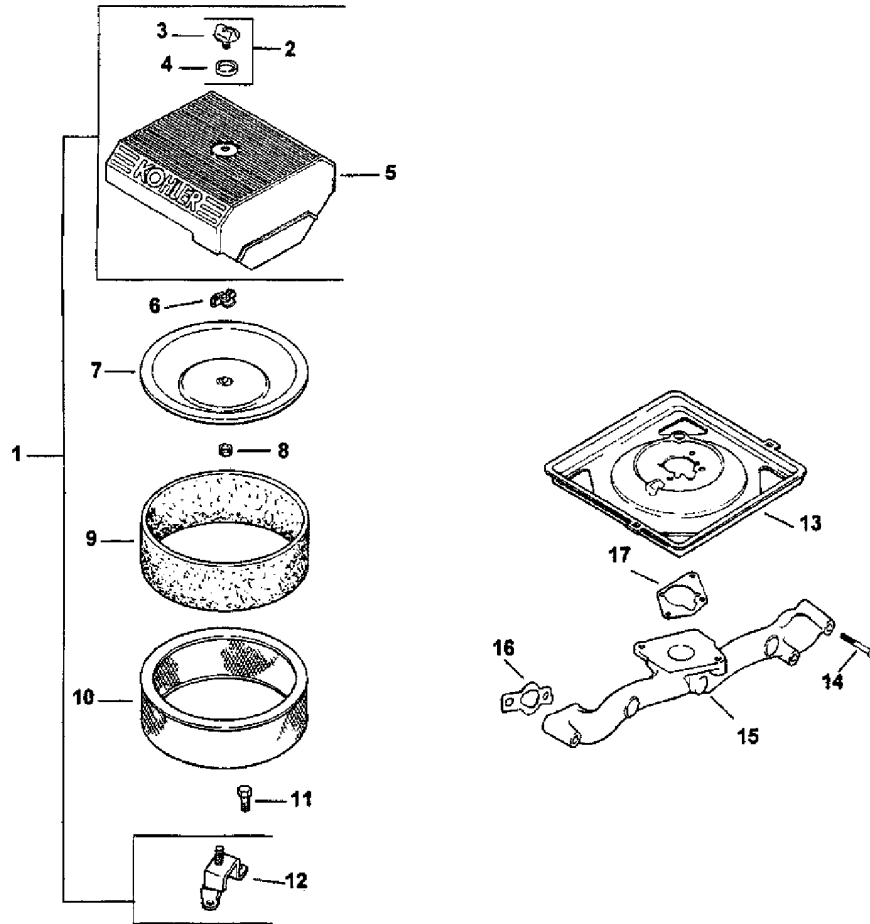
--	--	--	--



Engine Control Assembly Kohler Ch18s ps-62595

Ref	Part No.	Qty.	Description
①	M-547050-S	1	Nut-Hex
②	24 089 03-S	1	Spring-Choke Return
③	M-645016-S	4	Screw-HF
④	24 126 56-S	1	Bracket-Control
⑤	24 468 01-S	3	Washer
⑥	24 090 07-S	1	Lever-Actuator,throttle
⑦	12 237 01-S	2	Clamp-Cable
⑧	M-545016-S	3	Screw-HF
⑨	24 090 03-S	1	Lever-Throttle Control
⑩	M-446030-S	1	Nut-HF
⑪	M-401030-S	1	Screw
⑫	24 079 02-S	1	Linkage-Choke
⑬	24 090 05-S	1	Lever-Choke
⑭	41 468 03-S	1	Washer-Wave
⑮	M-545020-S	1	Screw-HF
⑯	24 089 51-S	1	Spring, Governor
⑰	24 089 45-S	1	Spring-Governor
⑱	24 211 03-S	1	Bolt
⑲	24 090 33-S	1	Lever-Governor
⑳	M-0641060-S	1	Nut-Hex Flange
㉑	25 158 11-S	1	Bushing
㉒	25 089 01-S	1	Spring-Linkage
㉓	25 158 08-S	1	Bushing
㉔	24 079 01-S	1	Linkage-Throttle

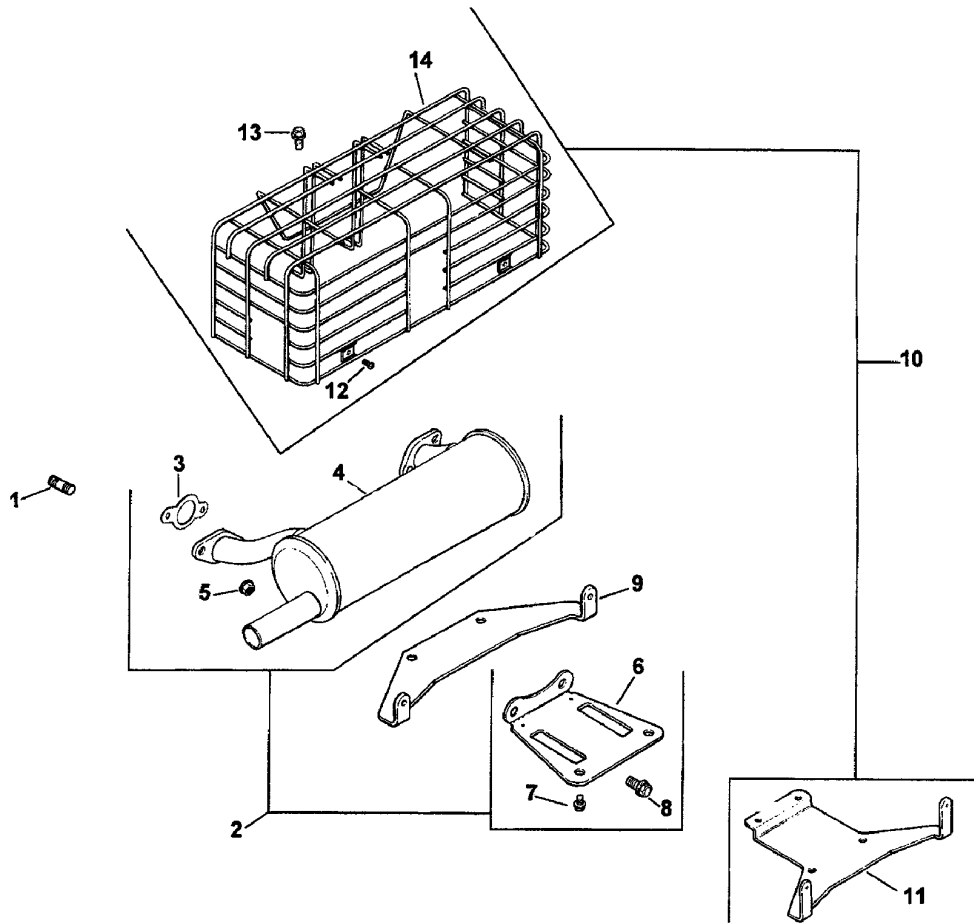
Ref	Part No.	Qty.	Description
㉕	M-639010-S	2	Screw-HF
㉖	24 126 04-S	2	Bracket-Support
①④	M-541050-S	1	Nut
⑤			
①④	X-20-1-S	1	Washer-Lock
⑤			



Air Intake Assembly Kohler Ch18s ps-62595

Ref	Part No.	Qty.	Description
④1	24 743 05-S	1	Kit-Air Cleaner Cover (Incl #2-5, 12)
④2	54 755 01-S	1	Kit-Knob W/seal (Incl #3-4)
④3	25 341 03-S	1	Knob-Cover
④4	24 153 20-S	1	O-Ring
④5	24 096 67-S	1	Cover-Air Cleaner
④6	12 100 01-S	1	Nut-Wing
④7	24 096 01-S	1	Cover-Inner Air Cleaner
④8	24 032 03-S	1	Seal-Breather
④9	24 083 02-S	1	Element-Precleaner
④10	47 083 03-S	1	Element-Air Cleaner
④11	M-639016-S	3	Screw-HF
④12	24 126 21-S	1	Bracket-Air Cleaner
④13	24 094 03-S	1	Base-Air Cleaner
④14	M-651055-S	4	Screw-HF
④15	24 164 14-S	1	Manifold
④16	24 041 01-S	2	Gasket-Intake Manifold
④17	24 041 16-S	1	Gasket, Cylinder Head

--	--	--	--



Exhaust Assembly Kohler Ch18s ps-62595

Ref	Part No.	Qty.	Description
④1	25 072 04-S	4	Stud
④2	24 786 06-S	1	Kit-Low Mount Muffler#1 Side Outlet (Incl #3-8)
④3	24 041 02-S	2	Gasket-Exhaust
④4	24 068 06-S	1	Muffler-Low Mount
④5	M-841080-S	4	Nut-HF
④6	24 126 12-S	1	Bracket-Muffler
④7	M-650012-S	2	Screw-HF
④8	M-839020-S	2	Screw-Hex Flange
④9	24 126 10-S	1	Bracket-Muffler Guard
④10	24 755 80-S	1	Kit-Muffler Guard (Incl #11-14)
④11	24 126 48-S	1	Bracket-Muffler Guard
④12	M-550010-S	2	Screw-Hex Flange
④13	M-545016-S	2	Screw-HF
④14	24 314 02-S	1	Guard-Muffler

--	--	--	--

NOTES

NOTES

NOTES

