



## Roll-Over-Protection-System Kit 200 and 500 Series Z Master<sup>®</sup>

Model No. 107-0038

### Parts Catalog

---

#### Ordering Replacement Parts

To order replacement parts, please supply: the part number, the quantity, and the description of each part desired.

#### Understanding Reference Numbers

Each identified part in an illustration has a reference number. The reference number for a part also appears in the parts list, along with other information about the part.

This catalog uses two special reference number formats, one to indicate parts in a service assembly and another to indicate the quantity of a given part in an illustration.

#### Service Assembly Reference Numbers

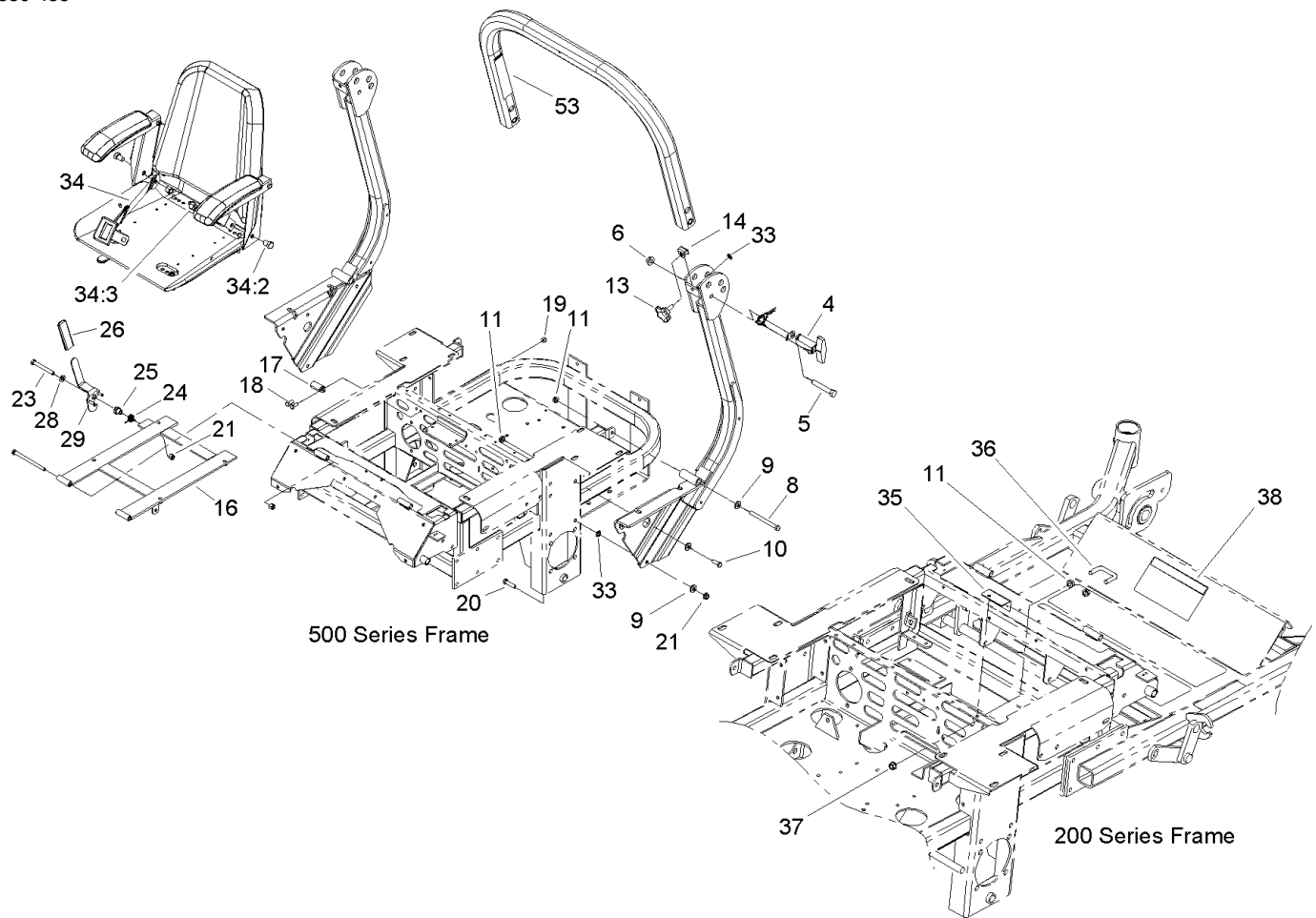
Parts in service assemblies have reference numbers in the form **a:b**. The **a** represents the reference number of the entire service assembly and the **b** represents a sequential number unique to each part within the service assembly.

For example, a wheel assembly might be identified by reference number 6, the tire by **6:1**, the valve by **6:2**, and the wheel by **6:3**. When you order the assembly identified by reference number 6, you receive all parts identified by reference numbers 6:1, 6:2, and 6:3. However, you may also order any part individually. Reference numbers of this type appear in illustrations and in part lists.

#### Reference Numbers Indicating Quantity

In an illustration, if a reference number indicates more than one part, the reference number has the form **nX y**. The **n** represents the quantity of the part, the **X** is the multiplication symbol, and the **y** represents the reference number.

For example, in an illustration, the reference number **2X 37** means that two of the parts identified by reference number 37 are indicated.



## Roll-Over-Protection-System Kit Assembly

Ref	Part No.	Qty.	Description
4	107-3060	2	Pin Latch ASM
5	325-13	2	Screw-HH
6	32128-23	2	Nut-HF
8	323-23	2	Screw-HH
9	98-5975	8	Washer-Belleville
10	323-6	4	Screw-HH
11	3290-357	8	Nut-HHF
13	106-0887	2	Knob
14	107-3124	2	Clip
16	107-3052-03	1	Frame-Support, Seat
17	107-3058	1	Catch-Latch, Seat
18	322-3	2	Screw-HH
19	3296-29	2	Nut-Lock, NI
20	323-8	2	Screw-HH
21	3296-39	3	Nut-Lock, NI
23	323-20	1	Screw-HH
24	107-0076	1	Spring-Torsion
25	107-0075	1	Bushing-Latch, Seat
26	62-9130	1	Grip-Handle
28	3256-24	1	Washer-Flat
29	107-3083	1	Latch ASM
33	107-3154	4	Nut-Push
34	103-4469	1	Seatbelt Kit
34:2	3212-4	2	Screw-HH

Ref	Part No.	Qty.	Description
34:3	3296-38	2	Nut-Lock NI
35	107-3074	1	Template-Drill, Seat Catch
36	107-3073	1	U-Bolt
37	32128-21	2	Nut-HF
38	107-2112	1	Decal-Warning
53	107-2102	1	Decal-Warning, Folding Rops