



Multi-Pro[®] 1250 Turf Sprayer

Model No. 41106 - 230000301 and up.

Parts Catalog

Ordering Replacement Parts

To order replacement parts, please supply: the part number, the quantity, and the description of each part desired.

Understanding Reference Numbers

Each identified part in an illustration has a reference number. The reference number for a part also appears in the parts list, along with other information about the part.

This catalog uses two special reference number formats, one to indicate parts in a service assembly and another to indicate the quantity of a given part in an illustration.

Service Assembly Reference Numbers

Parts in service assemblies have reference numbers in the form **a:b**. The **a** represents the reference number of the entire service assembly and the **b** represents a sequential number unique to each part within the service assembly.

For example, a wheel assembly might be identified by reference number 6, the tire by **6:1**, the valve by **6:2**, and the wheel by **6:3**. When you order the assembly identified by reference number 6, you receive all parts identified by reference numbers 6:1, 6:2, and 6:3. However, you may also order any part individually. Reference numbers of this type appear in illustrations and in part lists.

Reference Numbers Indicating Quantity

In an illustration, if a reference number indicates more than one part, the reference number has the form **nX y**. The **n** represents the quantity of the part, the **X** is the multiplication symbol, and the **y** represents the reference number.

For example, in an illustration, the reference number **2X 37** means that two of the parts identified by reference number 37 are indicated.

Part Description Abbreviations

Part descriptions in this catalog may include the following abbreviations.

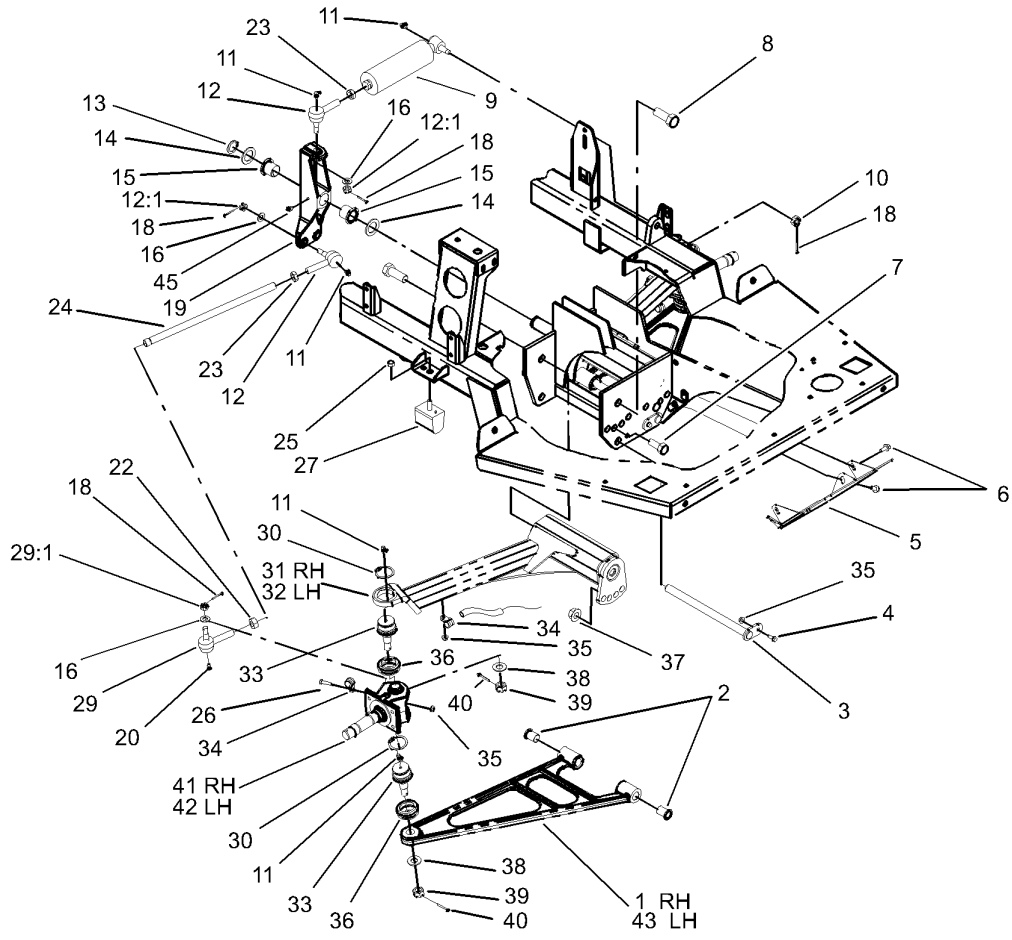
AR.	as required	HYD.	hydraulic
ASM.	assembly	INC.	incorporated
CARR.	carriage	LH.	left hand
DEG.	degrees	NI.	nylon insert
FH.	flat head	PPH.	phillips pan head
GA.	gauge	PTH.	phillips truss head
HF.	hex flange	PTO.	power take off
HH.	hex head	RH.	right hand
HHF.	hex head flange	SFH.	slotted fillister head
HHFTF.	hex head flange thread forming	SHH.	slotted hex head
HJ.	hex jam	SHWH.	slotted hex washer head
HLH.	hex lag head	SPH.	slotted pan head
HOC.	height-of-cut	SQH.	square head
HS.	hex	SRH.	slotted round head
HSBH.	hex socket button head	STD.	standard
HSFH.	hex socket flat head	TAP.	self tapping
HS.	hex socket head	TTH.	torx truss head
HWH.	hex washer head	WH.	wing head
HWHTF.	hex washer head thread forming		

Footnotes

- | | | | |
|---|--------------------------|---|-------------------------|
| ❶ | Not illustrated | ❷ | Not serviced separately |
| ❸ | Obtain Parts From Kohler | | |

Contents

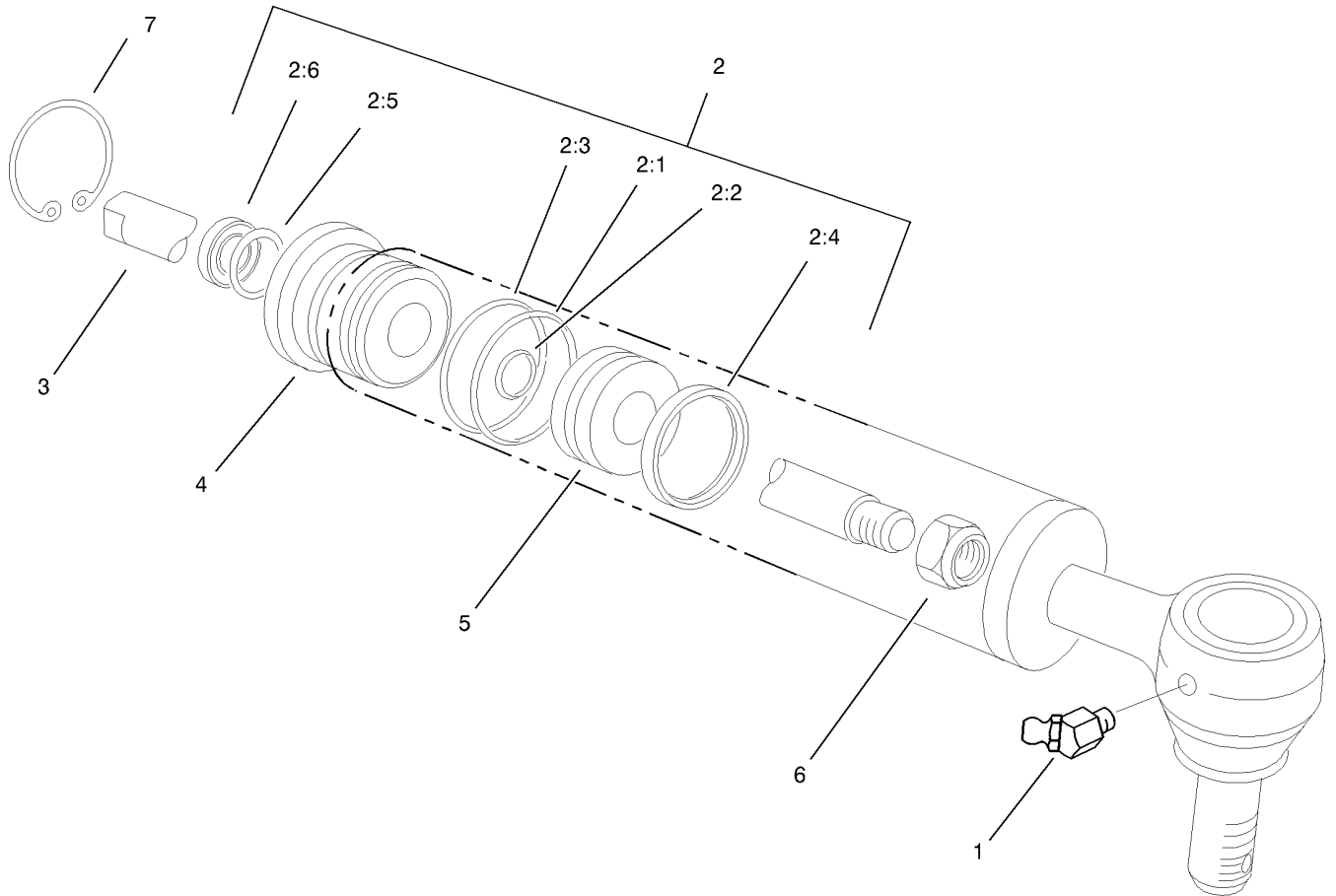
Description	Page	Description	Page
Front Suspension Assembly 4	Sprayer Component Assembly 43
Steering Cylinder Assembly No. 100-8278 5	Sprayer Component Assembly No. 2 44
Engine Cover Assembly 6	Drain Screw Assembly 45
Seat Support Assembly 8	Top Mounted Suction Assembly 46
Brake and Accelerator Pedal Assembly 9	Sprayer Component Assembly No. 3 47
Master Cylinder Assembly No. 94-3800 10	Safety Valve Assembly No. 100-6820 48
Rear Fender and Battery Mount Assembly 11	Hose Assemblies No. 1 49
Right Hand Boom Mount Assembly No. 106-4960 12	Hose Assemblies No. 2 50
Left Hand Boom Mount Assembly No. 106-4961 13	Transaxle Case Assembly Transaxle Assembly No. 104-9078 51
EVC Valve Control Assembly No. 106-4885 14	Transaxle Gear Shaft Assembly Transaxle Assembly No. 104-9078 52
Fresh Water Tank Assembly 16	Countershaft Assembly Transaxle Assembly No. 104-9078 53
Fresh Water Tank Assembly No. 100-8438 17	Shift Fork Assembly Transaxle Assembly No. 104-9078 54
Shifter Assembly 18	Differential Gear Assembly Transaxle No. 104-9078 55
Parking Brake Console Assembly 19	Crankshaft Assembly Kohler CH20S-64647 56
Front Wheel Assembly 20	Crankcase Assembly Kohler CH20S-64647 57
Front Brake Assembly No. 100-8285 21	Oil Pan / Lubrication Assembly Kohler CH20S-64647 58
Transaxle Installation Assembly 22	Head / Valve / Breather Assembly Kohler CH20S-64647 59
Rear Wheel Assembly 23	Ignition / Electrical Assembly Kohler CH20S-64647 60
Rear Brake Assembly No. 93-7125 (Right) and 93-7126 (Left) 24	Blower Housing and Baffle Assembly Kohler CH20S-64647 61
Driveshaft Assembly No. 98-2918 25	Starting System Kohler CH20S-64647 62
Engine Installation Assembly 26	Fuel System Assembly Kohler CH20S-64647 63
Gearbox Assembly No. 99-0663 28	Engine Controls Kohler CH20S-64647 64
Drive Pulley Assembly No. 100-8289 29	Air Intake / Filtration Assembly Kohler CH20S-64647 65
Steering Pump Assembly No. 100-8302 30	Exhaust Assembly Kohler CH20S-64647 66
Driver Clutch Assembly No. 100-8288 31		
Pump Installation Assembly 32		
Pump Assembly No. 106-5121 33		
Hydraulic Brake Line Assembly 34		
Tank and Saddle Assembly 35		
Spray Tank Assembly No. 104-9020 36		
Spray Tank Lid Assembly No. 94-7088 37		
Throttle Linkage Assembly 38		
Exhaust Assembly 39		
Electrical Panel Assembly 40		
Hydraulic Hose Routing Assembly 41		
Steering Control Assembly No. 92-3502 42		



Front Suspension Assembly

Ref	Part No.	Qty.	Description
1	100-6744-03	1	RH A-Arm ASM
2	100-8541	4	Bushing-A-Arm
3	100-8544	2	Pivot Pin ASM
4	3234-4	2	Screw-HHF
5	100-7060-03	1	Plate-Skid
6	3234-5	4	Screw
7	327-4	2	Screw-HH
8	328-24	4	Screw-HH
9	100-8278	1	Cylinder-Steering
10	32136-13	1	Nut-SHH
11	302-60	8	Fitting-Grease
12	112772	3	Joint-Ball, RH
12:1	915031	1	Nut
13	100-6785	1	Ring-Retaining
14	3-6781	2	Washer-Thrust
15	256-318	2	Bearing-Nyliner
16	3256-25	3	Washer-Flat
18	3272-11	6	Pin-Cotter
19	100-6774-03	1	Pivot-Steering
20	302-5	2	Fitting-Grease
22	3218-21	2	Nut-Jam
23	3220-11	3	Nut-Jam
24	100-8534-03	2	Tie Rod-Steering
25	48-9520	2	Nut

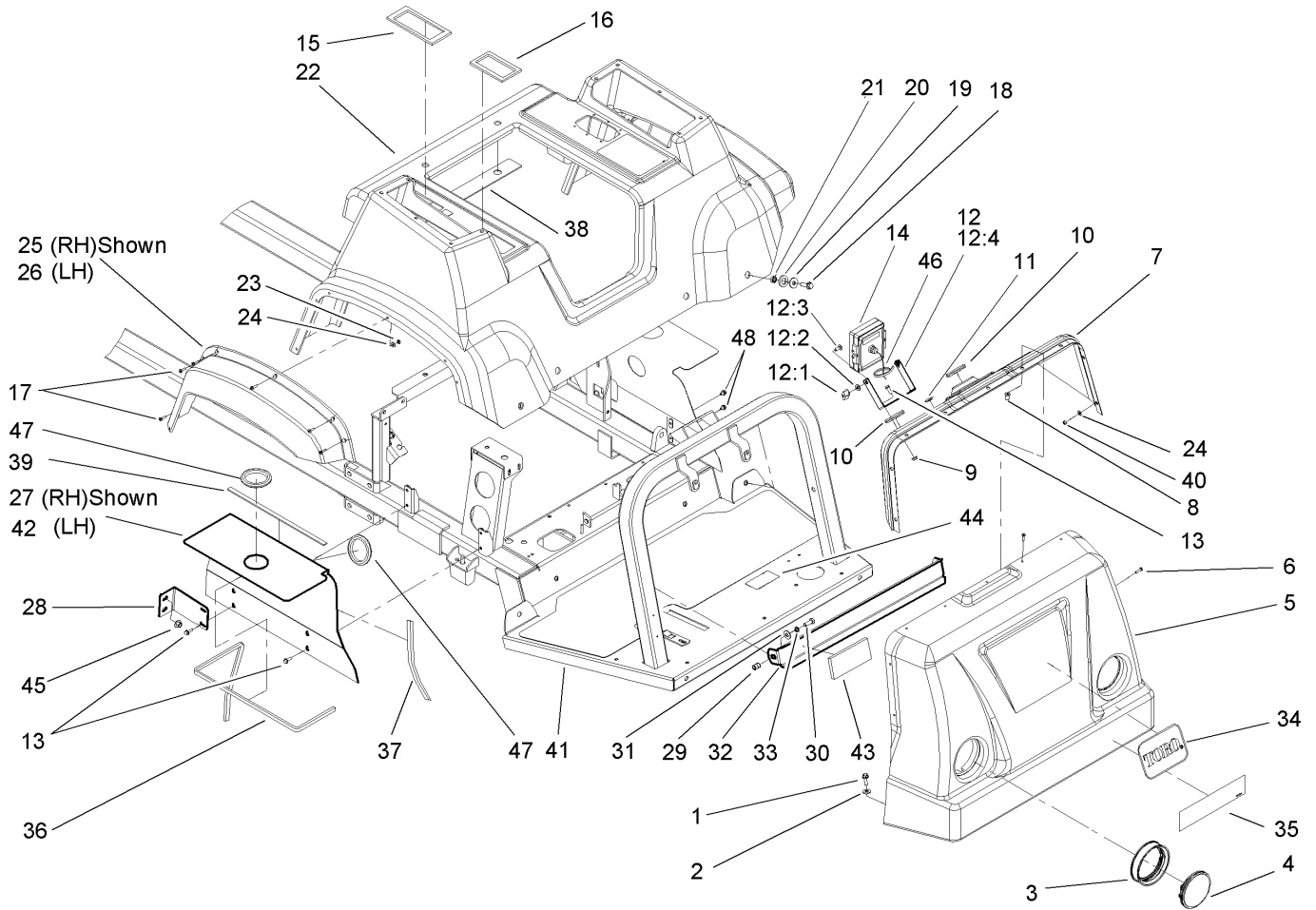
Ref	Part No.	Qty.	Description
26	321-6	2	Screw-HH
27	87-3470	2	Bumper-Axle, Rear
29	112771	2	Joint-Ball, LH
29:1	915031	1	Nut
30	32151-104	4	Ring-Retaining, External
31	100-8414	1	RH Axle ASM
32	100-8413	1	LH Axle ASM
33	87-1430	4	Joint-Ball
34	2412-134	4	R-Clamp
35	32128-33	6	Nut-HF
36	87-2420	4	Seal-Joint, Ball
37	32128-50	2	Nut-Flange
38	3256-27	4	Washer-Flat
39	32136-2	4	Nut-SHH
40	3272-17	4	Pin-Cotter
41	100-6738-03	1	Spindle-RH
42	100-6739-03	1	Spindle-LH
43	100-6745-03	1	LH A-Arm ASM
45	302-11	1	Fitting-Lube, 45 DEG



Steering Cylinder Assembly No. 100-8278

Ref	Part No.	Qty.	Description
1	302-60	1	Fitting-Grease
2	107-1552	1	Seal Kit
2:1		1	O-Ring
2:2		1	O-Ring
2:3		1	Seal-Back Up
2:4		1	Seal-Psp
2:5		1	Seal-Rod
2:6		1	Seal-Dust
3		1	Shaft
4		1	Head
5		1	Piston
6		1	Nut
7	94-3612	1	Ring-Retaining

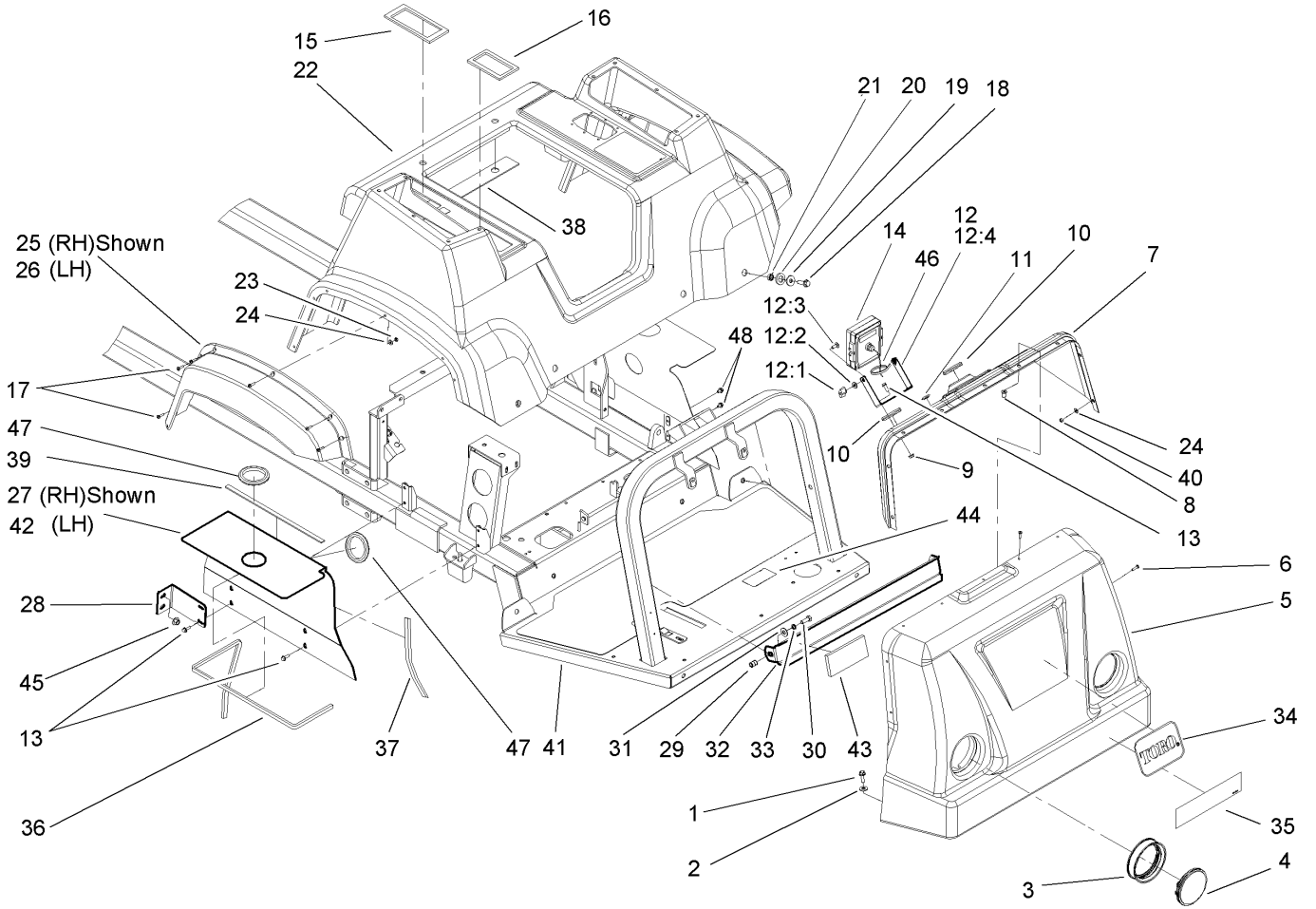
--	--	--	--



Engine Cover Assembly

Ref	Part No.	Qty.	Description
1	3234-17	5	Screw-HHF
2	3256-3	5	Washer-Flat
3	99-7311	2	Mount-Headlight
4	99-7310	2	Headlight
5	100-8281	1	Hood-Front, Console
6	3250-25	9	Screw-PPH
7	100-6777	1	Dash Panel ASM
8	100-8450	15	Nut-Well
9	32128-33	2	Nut-HF
10	40764	2	Grommet
11	94-7290	1	Plug-Hole
12	100-6735	1	Monitor Mounting Bracket Kit
12:1	99-0667	2	Knob
12:2	99-0730	2	Washer-Rubber
12:3	106-4868	2	Screw-CARR
12:4	99-0576	1	Bracket
13	3234-4	8	Screw-HHF
14	104-8991	1	Monitor-Spray
15	100-8436	1	Seal-Foam
16	100-8437	1	Seal-Foam
17	3250-13	12	Screw-PPH
18	3234-24	6	Screw-HHF
19	356308	6	Washer-Special
20	100-8468	6	Washer-Rubber

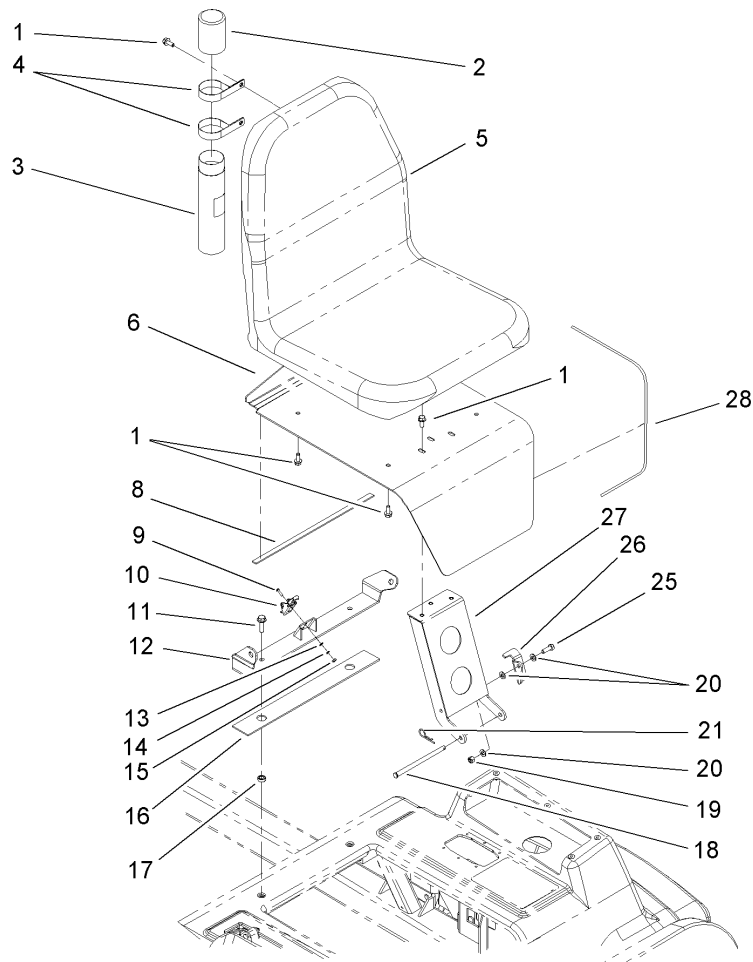
Ref	Part No.	Qty.	Description
21	100-8464	6	Spacer
22	100-6776	1	Seat Base ASM
23	3217-26	12	Nut-Hex
24	3256-49	16	Washer-Flat
25	94-7074	1	Flare-Fender, RH
26	94-7075	1	Flare-Fender, LH
27	100-8443-03	1	Panel-Shield RH
28	100-8623	2	Bracket-Engine Cover Support, Rear
29	92-3788	2	Insert
30	323-6	2	Screw-HH
31	3256-4	2	Washer-Flat
32	100-6731-03	1	Shield-Head Light
33	3253-21	2	Washer-Lock
34	62-5550	1	Decal
35	106-5128	1	Decal
36	100-8423	2	Trim-Shield, Top
37	100-8444	2	Trim-Shield, Front And Rear
38	100-8463	1	Seal-Foam
39	100-8499	2	Seal-Foam
40	3296-21	4	Nut-Lock, NI
41	100-8622	1	Tread-Floor
42	100-8448-03	1	Panel-Shield, LH
43	106-4872	2	Pad-Foam, Headlight



Engine Cover Assembly (continued)

Ref	Part No.	Qty.	Description
44	100-8619	1	Decal-Boom Switch
45	32128-43	2	Nut-Flange
46	3290-379	1	Tie-Cable
47	237-164	4	Grommet
48	3234-26	2	Screw

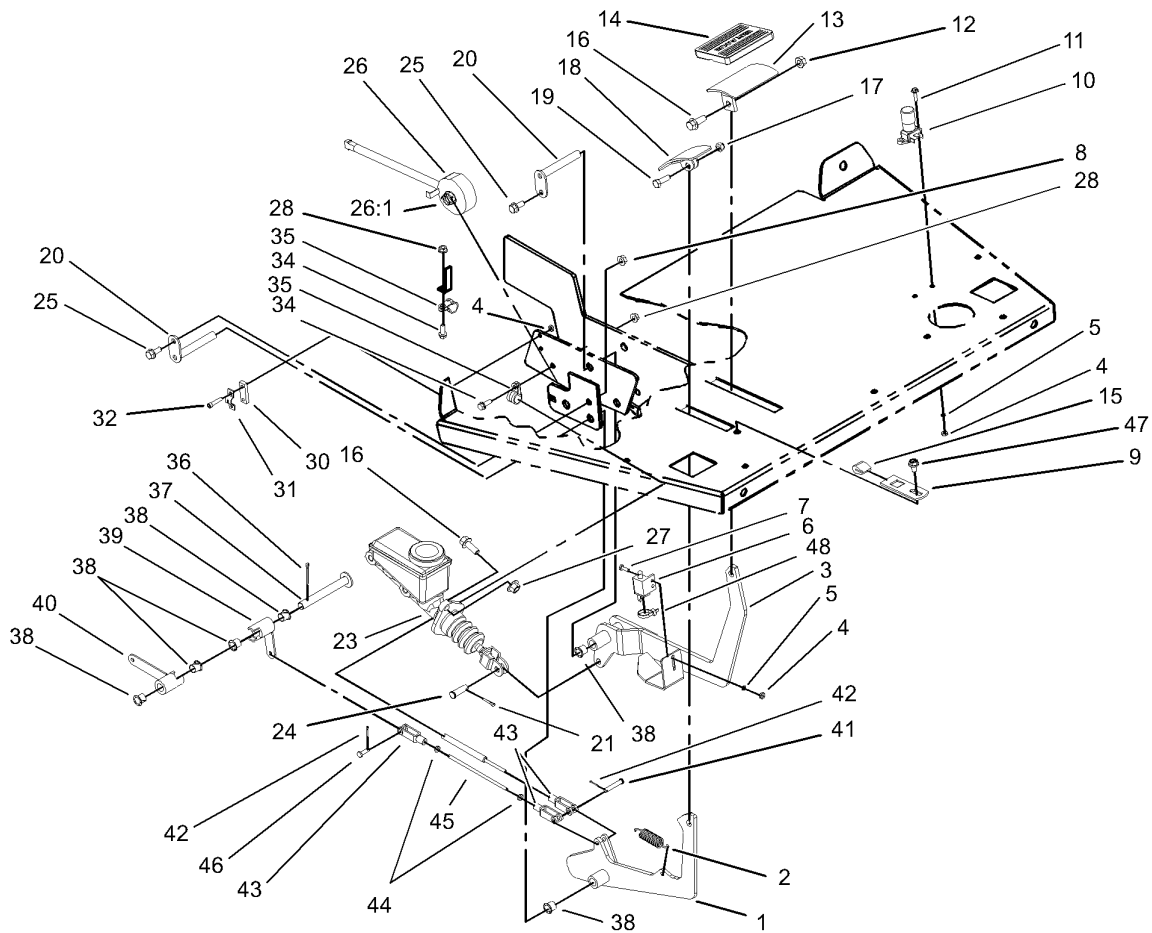
Ref	Part No.	Qty.	Description



Seat Support Assembly

Ref	Part No.	Qty.	Description
1	3234-5	9	Screw
2	104-7048	1	Cap-Housing
3	104-7050	1	Housing-Manual
4	2412-133	2	R-Clamp
5	104-4620	1	Seat-Olympic, Toro
6	100-8495-03	1	Panel-Mounting, Seat
8	100-8499	1	Seal-Foam
9	3250-4	2	Screw
10	100-8502	1	Latch-Hinge
11	3234-24	2	Screw-HHF
12	100-8459-03	1	Seat Belt And Bracket ASM
13	3256-53	2	Washer-Flat
14	3253-15	2	Washer-Lock/sp
15	3217-25	2	Nut-Hex
16	100-8463	1	Seal-Foam
17	100-8464	2	Spacer
18	100-8501	1	Pin-Clevis
19	3296-29	1	Nut-Lock, NI
20	3256-23	3	Washer-Flat
21	9335054	1	Pin-Hair
25	322-5	1	Screw-HH
26	100-8503-03	1	Bracket-Seat Prop
27	100-8496-03	1	Mount-Bracket, Hinge
28	100-8500	1	Trim-Seat

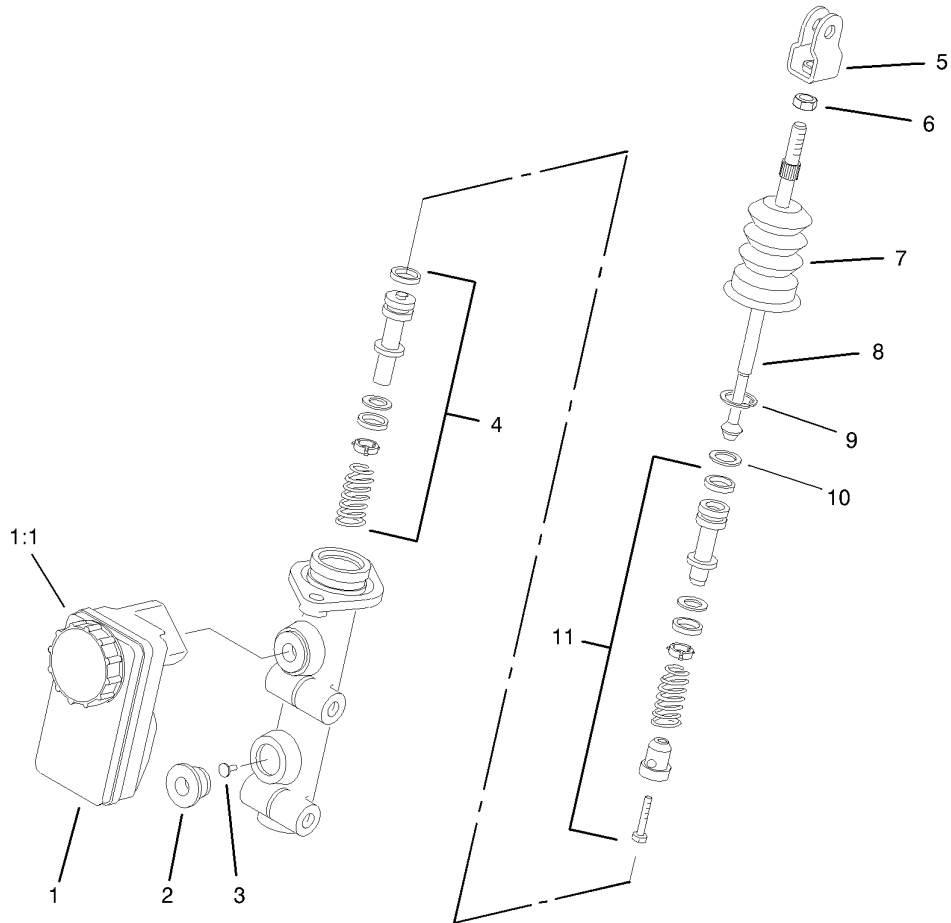
--	--	--	--



Brake and Accelerator Pedal Assembly

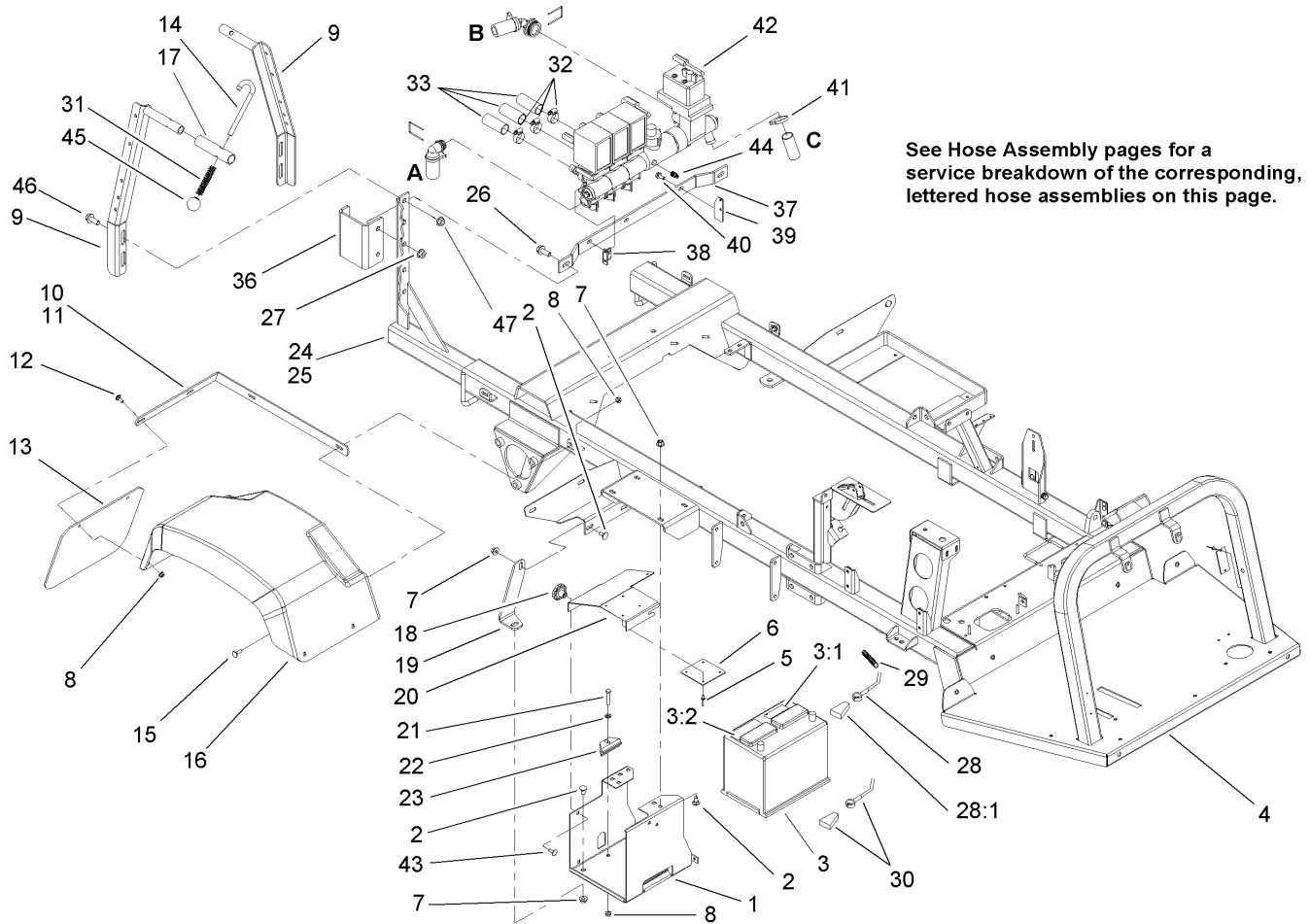
Ref	Part No.	Qty.	Description
1	100-8367-03	1	Accelerator-Lever
2	67-1450	1	Spring-Idler, Deck
3	100-8553-03	1	Brake-Lever
4	3217-26	6	Nut-Hex
5	3253-17	4	Washer-Lock/sp
6	92-0305	1	Switch
7	3290-134	2	Screw
8	32128-20	2	Nut-HF
9	104-8791-03	1	Plate-Pedal Stop
10	94-7170	1	Switch-Floor
11	32105-13	2	Screw-SHH
12	32128-21	1	Nut-HF
13	100-8422-03	1	Bracket-Pedal
14	7-3900	1	Pad-Brake
15	100-6702	3	Stop-Lever, Pedal
16	3234-11	3	Screw-HHF
17	32153-3	1	Nut-Lock
18	93-8969-03	1	Pedal
19	322-5	1	Screw-HH
20	100-8554	2	Pin-Pivot
21	3272-10	1	Pin-Cotter
23	94-3800	1	Master Cylinder ASM
24	283-2	1	Pin-Clevis
25	3234-5	2	Screw

Ref	Part No.	Qty.	Description
26	99-8090	1	Magnet ASM
26:1	93-6601	1	Spring-Compression
27	32128-43	2	Nut-Flange
28	32128-33	2	Nut-HF
30	100-8561	1	Plate-Spacer
31	100-8560	1	Bracket-Throttle Cable
32	3274-81	2	Screw-HSH
34	3234-4	2	Screw-HHF
35	2412-134	2	R-Clamp
36	3272-12	1	Pin-Cotter
37	100-8517	1	Pivot Pin ASM
38	256-257	8	Bushing-Nyliner
39	100-8515	1	Arm-Actuator, Short
40	100-8512	1	Arm-Actuator, Long
41	283-66	1	Pin-Clevis
42	3272-1	3	Pin-Cotter
43	282-28	4	Clevis-Adjustable
44	3219-14	4	Nut-Hex
45	100-8562	1	Rod-Threaded
46	283-67	2	Pin-Clevis
47	3234-28	1	Screw-HHF
48	3290-379	1	Tie-Cable



Master Cylinder Assembly No. 94-3800

Ref	Part No.	Qty.	Description
1	87-3040	1	Reservoir-Cylinder, Master
1:1	92-4112	1	Cap ASM
2	93-8971	2	Seal-Port, Flange
3	92-4103	1	Pin-Stop
4	92-4102	1	Secondary Piston ASM
5	92-4110	1	Clevis
6	21-0360	1	Nut-Hex
7	94-5209	1	Cover-Dust
8	94-5210	1	Rod-Push
9	92-4109	1	Circlip
10	92-4108	1	Retainer-Washer
11	92-4101	1	Primary Piston ASM

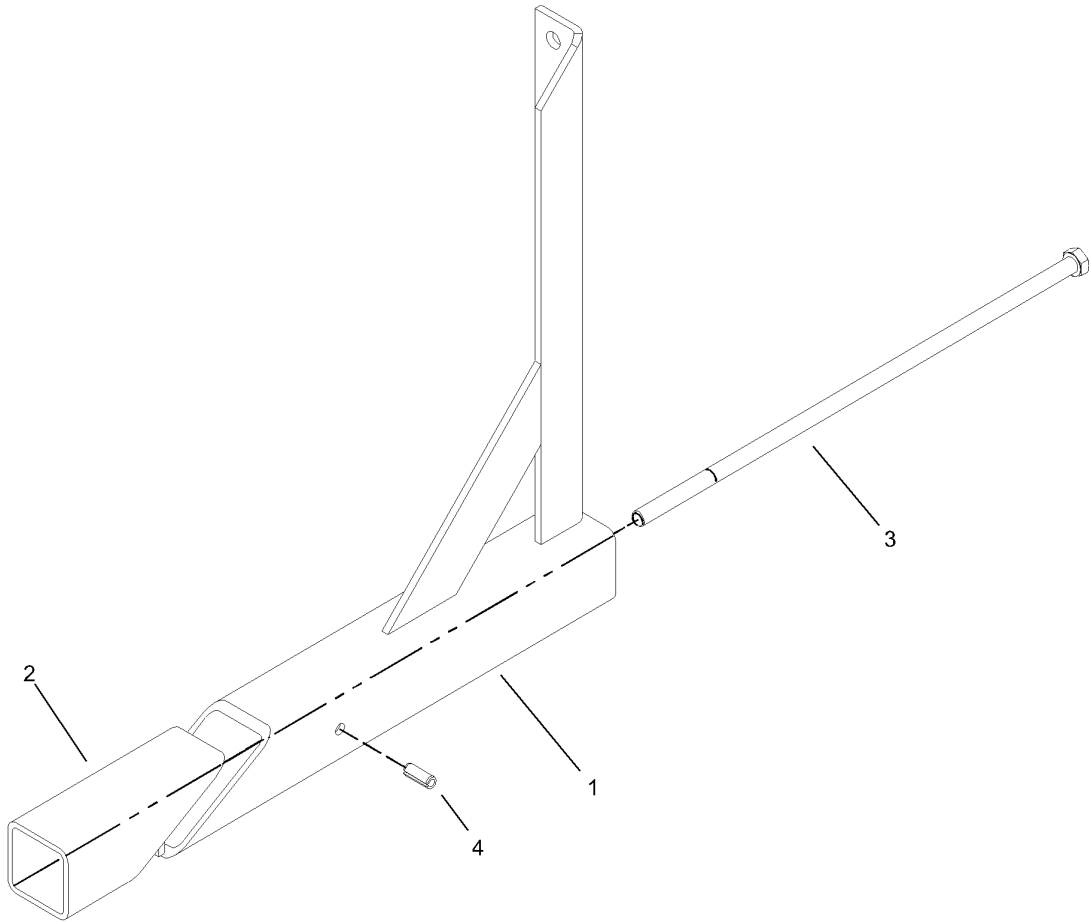


See Hose Assembly pages for a service breakdown of the corresponding, lettered hose assemblies on this page.

Rear Fender and Battery Mount Assembly

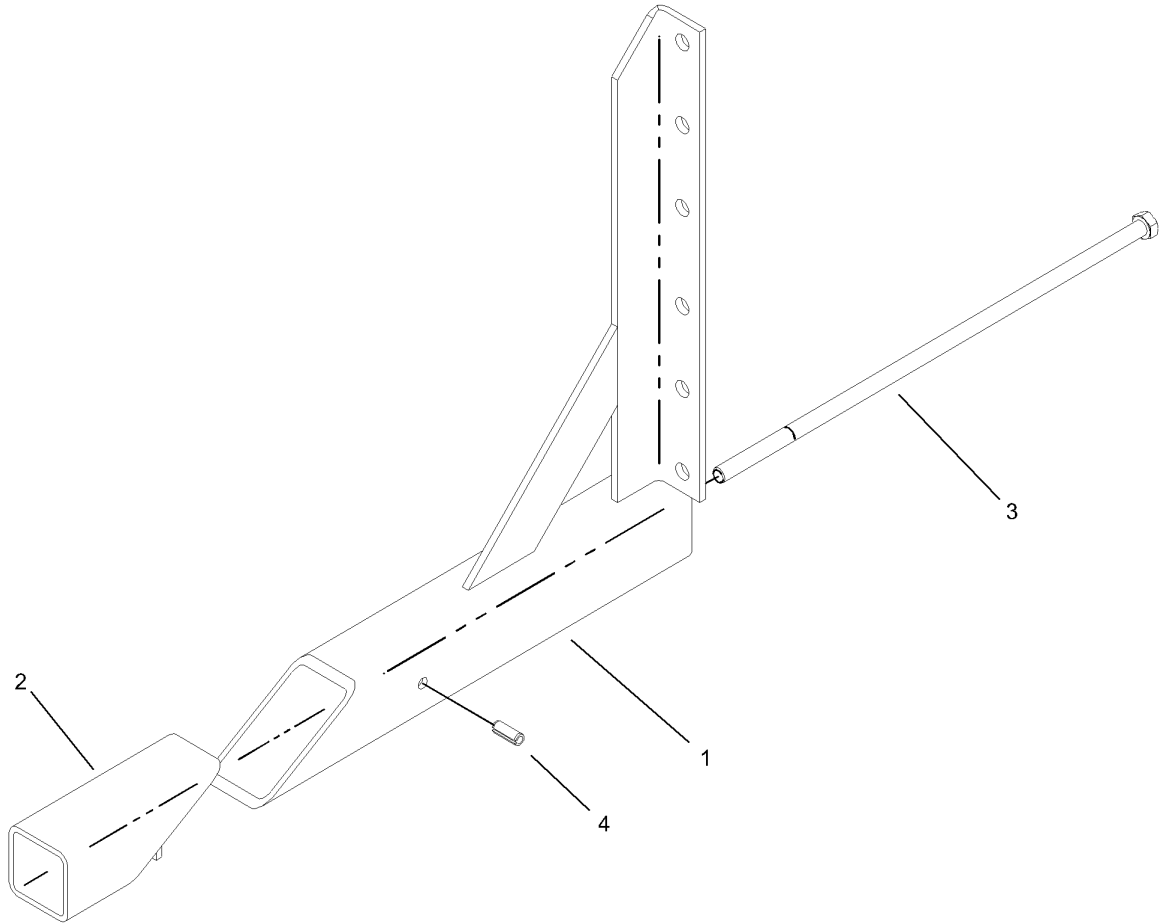
Ref	Part No.	Qty.	Description
1	87-5120-03	1	Bracket-Holder, Battery
2	3231-1	4	Screw-CARR
3	55-7290	1	Battery (Dry)
3:1	26-7170	1	Decal-Battery, Wisco
3:2	26-7180	1	Decal-Battery
4	100-8339-03	1	Mainframe ASM
5	3269-27	4	Rivet-Snap
6	87-7620	1	Shield-Terminal, Battery
7	32128-43	4	Nut-Flange
8	32128-20	13	Nut-HF
9	106-5082-03	2	Hold-Boom
10	100-8246-03	1	Mount-Fender, RH
11	100-8245-03	1	Mount-Fender, LH
12	3230-1	8	Bolt-CARR
13	100-8259	2	Guard-Splash
14	92-8562	2	Hook-Boom Restraint
15	3230-2	4	Bolt-CARR
16	93-6498	2	Fender-Rear
17	92-8561	2	Hose-Hold In
18	19-4050	2	Knob
19	100-8201-03	1	Support-Battery
20	87-5130-03	1	Cover-Battery
21	322-9	1	Screw-HH
22	3256-23	1	Washer-Flat

Ref	Part No.	Qty.	Description
23	66-2490	1	Retainer-Battery
24	106-4960	1	Boom Mount ASM LH
25	106-4961	1	Boom Mount ASM RH
26	3234-32	4	Screw-HHF
27	32128-49	6	Nut-HHF
28	99060	1	Cable-Ground
28:1	106-4915	1	Cap-Protective, Blue
29	104-8742	1	Conduit-Cable, Battery
30	106-5113	1	Cable-Battery, Positive
31	92-8563	2	Spring
32	2412-129	3	Clamp-Hose
33	41340	3	Hose-Boom, Left And Right
36	100-8431-03	2	Bracket-Mounting, Boom
37	100-8434-03	1	Bar-Valve Mounting
38	100-8432-03	2	Bracket-Boom Valve ASM
39	100-8433-03	1	Bracket-Control Valve ASM
40	3234-5	3	Screw
41	99-0782	1	Clamp-Hose
42	106-4885	1	Control-Evc Valve
43	3230-23	2	Screw-CARR
44	100-8674	1	Coupler-Tube
45	92-8564	2	Knob
46	32128-23	4	Nut-HF
47	3234-32	4	Screw-HHF



Right Hand Boom Mount Assembly No. 106-4960

Ref	Part No.	Qty.	Description				
1	42222-03	1	RH Boom Mount ASM				
2	42223-03	1	Wedge Tube ASM				
3	42199	1	Bolt				
4	32121-41	1	Pin-Roll				

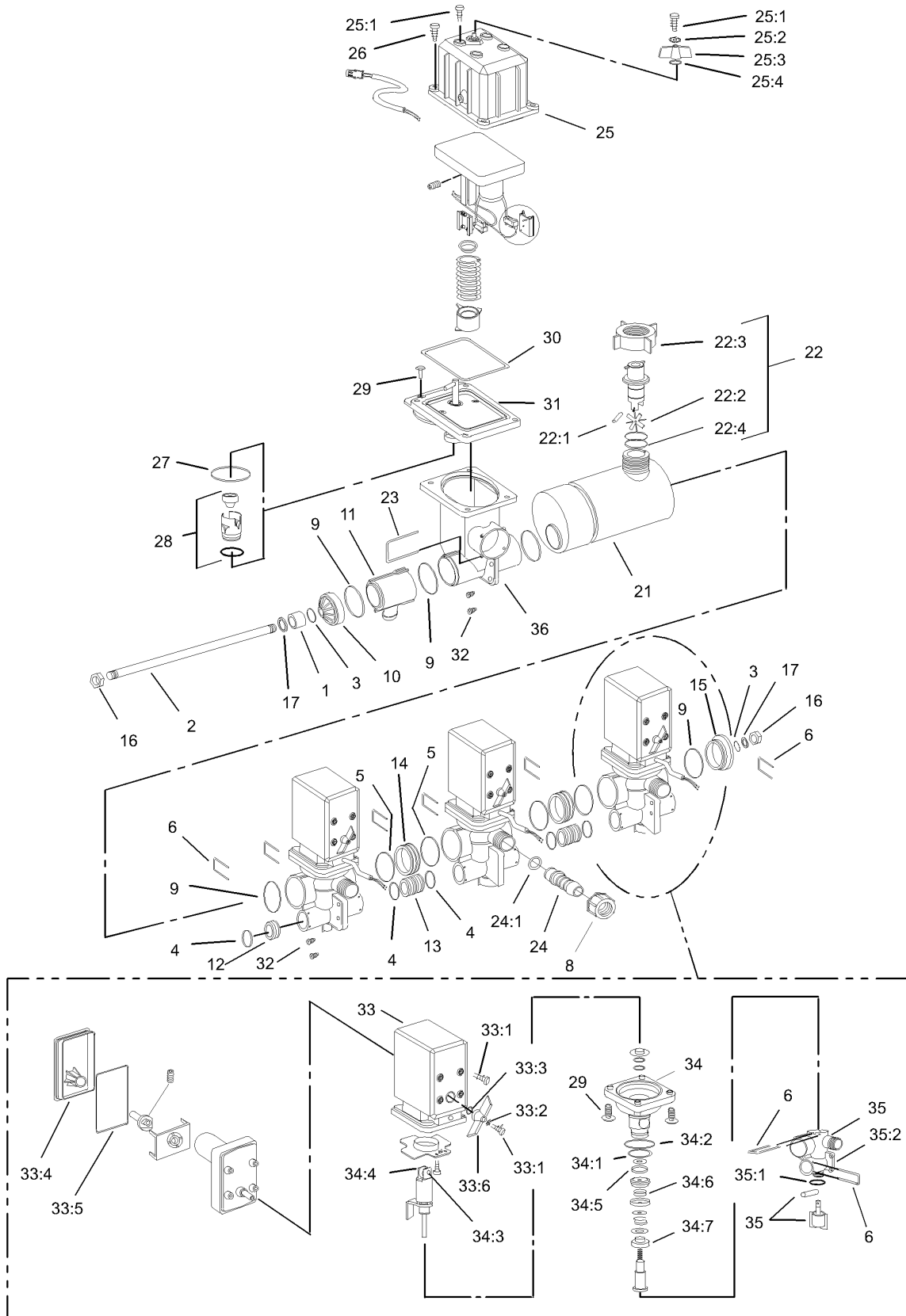


Left Hand Boom Mount Assembly No. 106-4961

Ref	Part No.	Qty.	Description
1	42217-03	1	Boom Mount Assy LH
2	42223-03	1	Wedge Tube ASM
3	42199	1	Bolt
4	32121-41	1	Pin-Roll

--	--	--	--

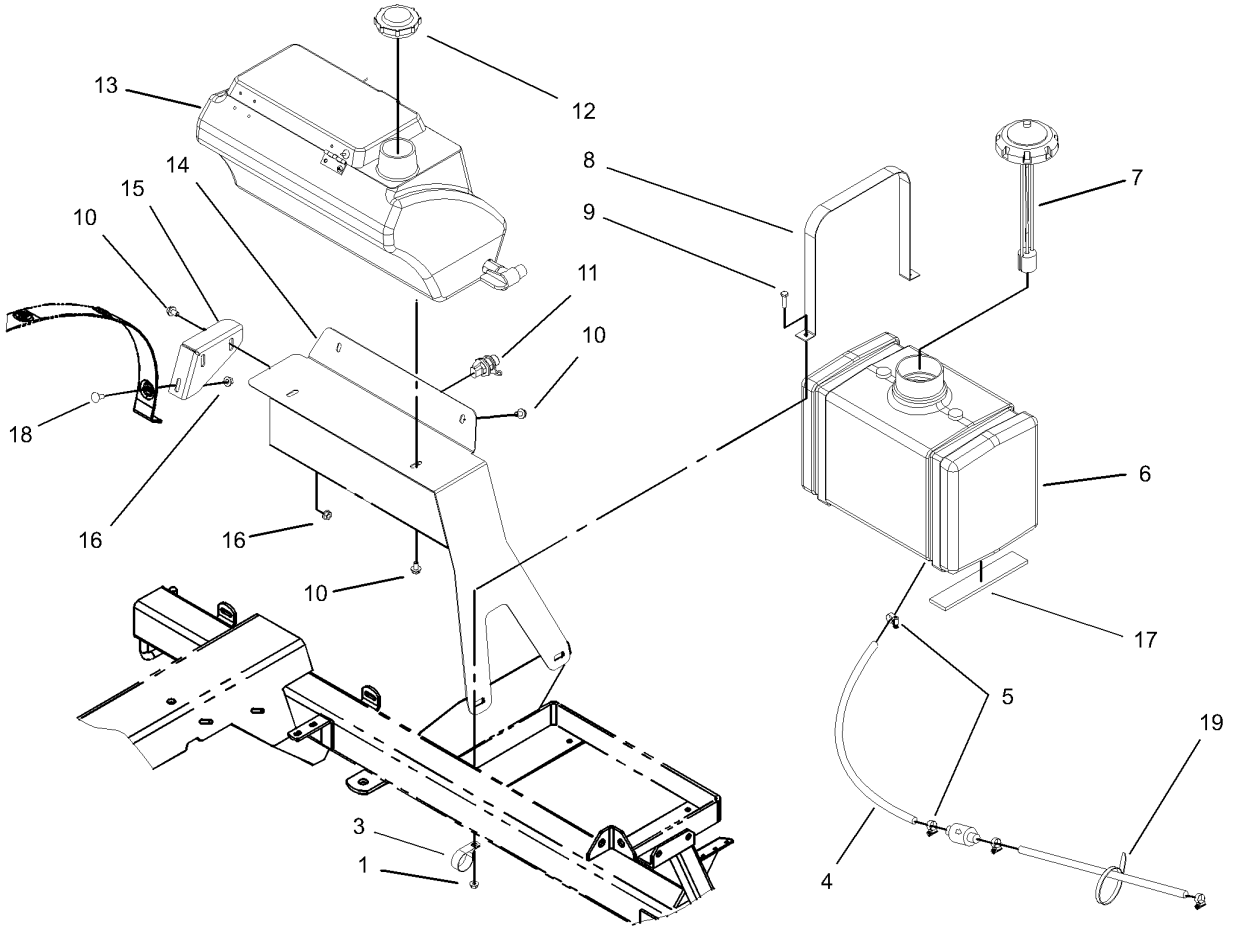
EVC Valve Control Assembly No. 106-4885



EVC Valve Control Assembly No. 106-4885

Ref	Part No.	Qty.	Description
1	100-6897	1	Bushing
2	100-6909	1	Rod-Threaded
3	100-6887	2	O-Ring
4	100-6882	5	O-Ring
5	100-6646	5	O-Ring
6	100-6885	9	Fork-Valve, Boom
8	99-0850	3	Nut
9	100-6892	4	O-Ring
10	100-6913	1	Cover
11	100-6908	1	T-Piece
12	100-6891	1	Cap-End
13	100-6890	2	Joiner-Bypass, Boom
14	100-6896	2	Joiner-Valve, Boom
15	100-6915	1	Cover-End
16	100-6894	2	Nut
17	100-6634	2	Washer
21	100-6920	1	Housing-Meter, Flow
22	100-6900	1	Flow Sensor ASM
22:1	100-6906	1	Shaft-Rotor
22:2	100-6919	1	Meter-Flow, Rotor
22:3	100-8678	1	Nut
22:4	100-8653	1	O-Ring
23	100-6907	1	Fork
24	106-5112	3	Hosebarb ASM
24:1	100-6645	1	O-Ring
25	100-6902	1	Control-Rate, Motor
25:1	100-6876	4	Screw
25:2	100-6877	4	Washer-Lock
25:3	100-6903	4	Grip-Hand
25:4	100-6880	4	O-Ring
26	100-6918	4	Screw-Plastic
27	100-6904	1	O-Ring
28	100-6905	1	Rate Valve Repair Kit
29	100-6917	16	Screw-Plastic
30	100-6901	1	Gasket-Housing, Valve Motor
31	100-6899	1	Section-Spindle, Valve Rate
32	100-6916	6	Screw-Plastic
33	100-6923	3	Boom Motor ASM
33:1	100-6876	3	Screw
33:2	100-6877	3	Washer-Lock
33:3	100-6880	3	O-Ring
33:4	100-6874	3	Cover-Valve, Boom
33:5	100-6912	3	Cover-Seal
33:6	100-6875	3	Handgrip-Valve, Boom
34	100-6889	3	Section- Spindle, Boom Valve
34:1	100-8653	1	O-Ring
34:2	100-6882	5	O-Ring
34:3	100-6911	1	Pin-Roller
34:4	100-6910	1	Bearing-Roller

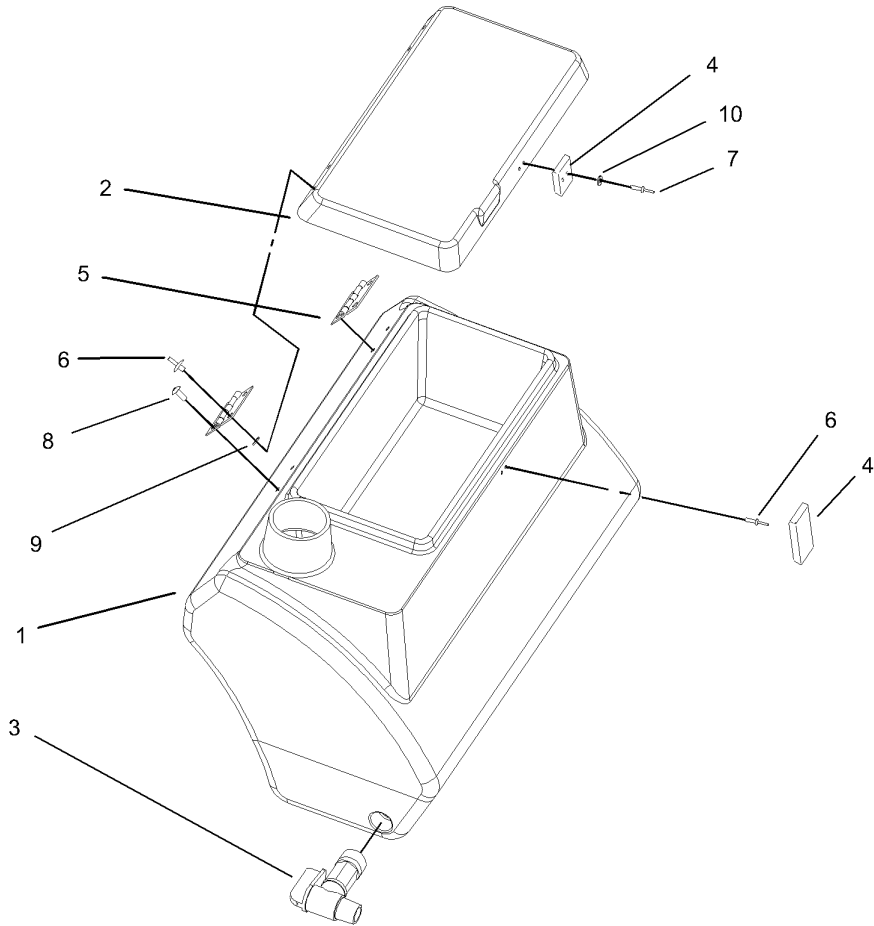
Ref	Part No.	Qty.	Description
34:5	100-6879	1	O-Ring
34:6	100-6878	1	O-Ring
34:7	100-6881	1	Cone-Stem, Boom Valve
35	100-6888	3	Manifold-Valve, Boom
35:1	100-6887	1	O-Ring
35:2	106-5151	1	Manifold-Lower
36	100-6914	1	Valve-Control, Housing Rate
●99	100-7045	1	Plug



Fresh Water Tank Assembly

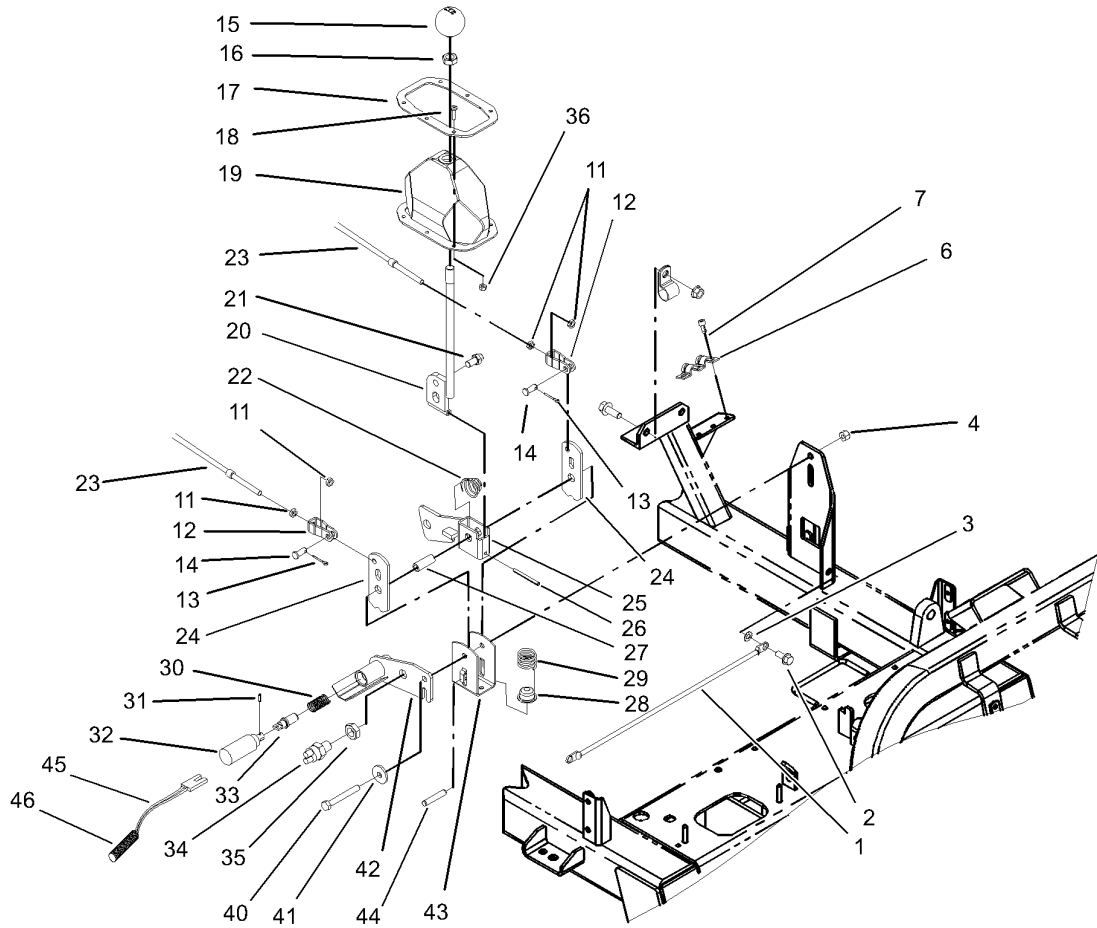
Ref	Part No.	Qty.	Description
1	32128-33	4	Nut-HF
3	2412-74	1	R-Clamp
4	100-8387	1	Hose-Fuel
5	2412-108	2	Clamp-Worm
6	100-8294	1	Tank-Fuel
7	100-8386	1	Fuel Cap And Guage ASM
8	106-4867-03	2	Strip-Hold Down, Gas Tank
9	321-6	4	Screw-HH
10	3234-28	6	Screw-HHF
11	104-8914	1	Latch-Storage Box
12	100-7008	1	Cap-Tank, Fresh Water
13	100-8438	1	Fresh Water Tank ASM
14	104-8912	1	Tank Bracket ASM
15	100-8401-03	1	Plate-Tank Mount
16	32128-20	3	Nut-HF
17	100-8524	2	Foam-Strip, Gas Tank
18	3230-1	1	Bolt-CARR
19	3290-379	1	Tie-Cable

--	--	--	--



Fresh Water Tank Assembly No. 100-8438

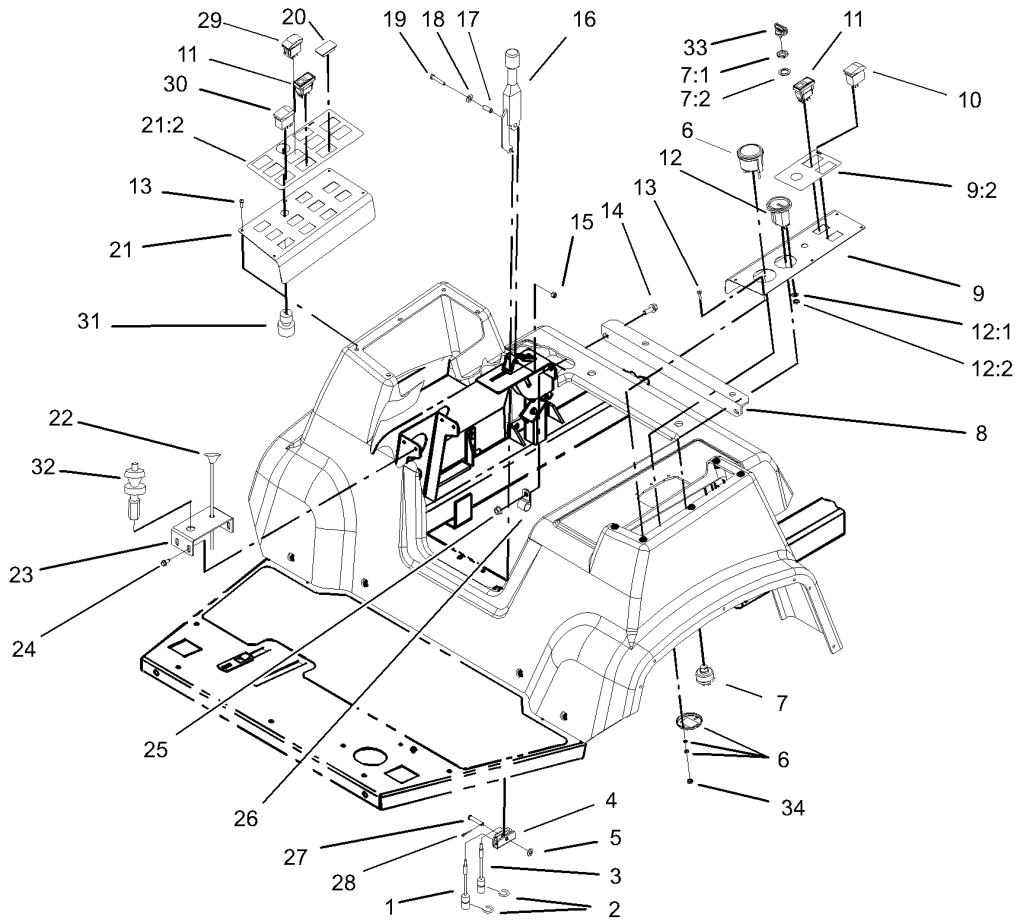
Ref	Part No.	Qty.	Description
1		1	Tank-Water, Fresh
2	100-8397	1	Cover-Tank
3	100-7011	1	Spigot-90 DEG
4	100-7009	1	Latch-Draw
5	100-7010	2	Hinge
6	100-7062	4	Rivet
7	100-7063	4	Rivet
8	100-7064	4	Screw
9	100-7065	4	Washer
10	100-7066	2	Washer



Shifter Assembly

Ref	Part No.	Qty.	Description
1	42617	1	Cable-Ground
2	3234-5	1	Screw
3	3255-8	1	Washer-Lock
4	3296-29	1	Nut-Lock, NI
6	87-4960	1	Clamp-Cable
7	65-5220	3	Screw-Forming, Thread
11	3220-1	4	Nut-Jam
12	87-2310	2	Clevis-Cable
13	3272-6	2	Pin-Cotter
14	283-62	2	Pin-Clevis
15	87-6720	1	Knob-Shift
16	3218-18	1	Nut-Jam
17	87-3760-03	1	Plate-Boot, Shift
18	3250-13	6	Screw-PPH
19	87-8620	1	Shift Boot ASM
20	87-2040	1	Shift Lever ASM
21	87-3650	1	Pin-Shift
22	87-2900	1	Spring-Compression
23	100-8359	2	Cable-Shift, R/i
24	87-3540	2	Link-Shift
25	100-6749	1	Shifter Bracket ASM
26	32121-48	1	Pin-Spring
27	87-2520	1	Tube-Pivot
28	87-3530	1	Button-Shifter

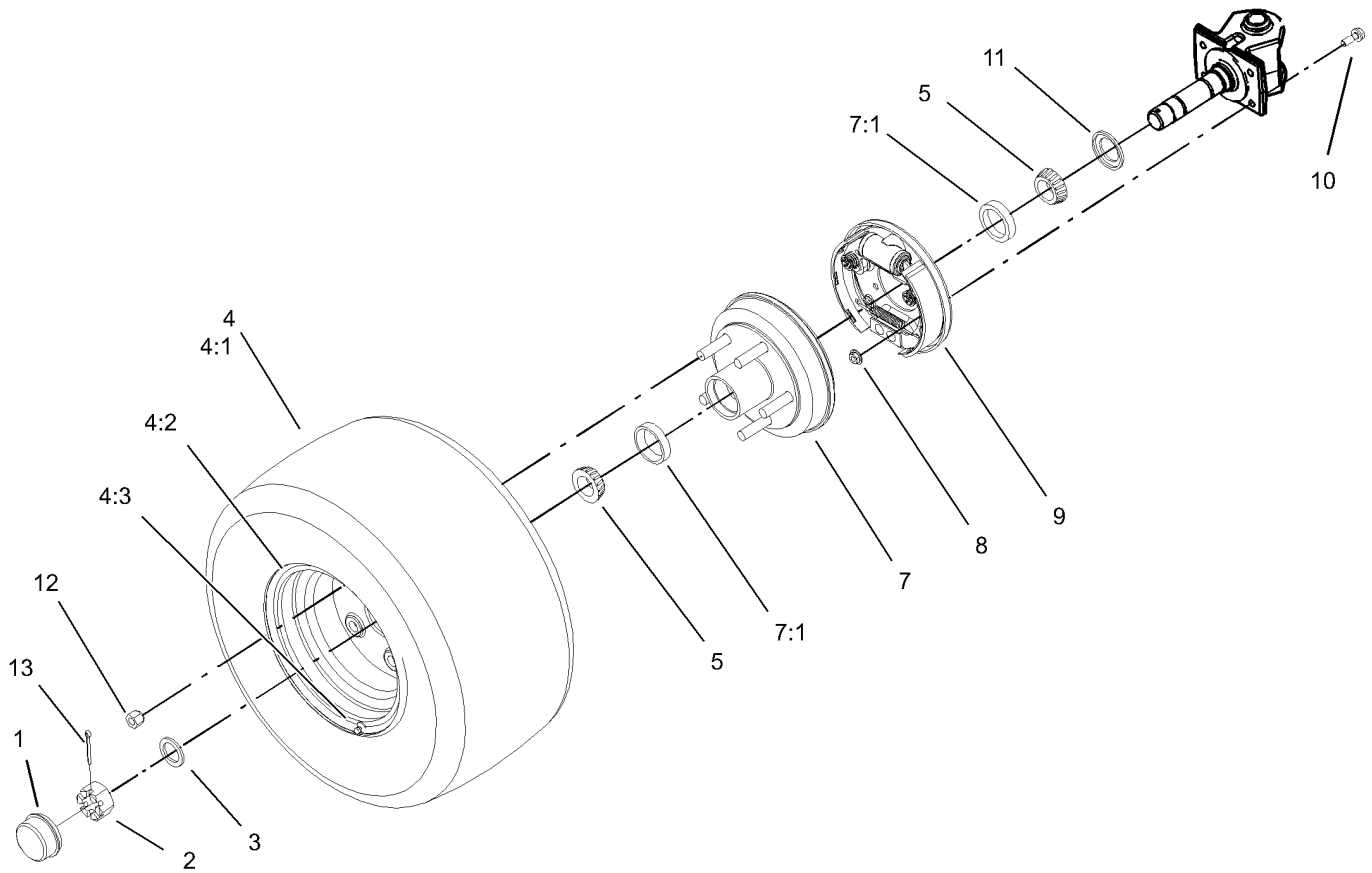
Ref	Part No.	Qty.	Description
29	87-3660	1	Spring-Compression
30	100-6754	1	Spring-Compression
31	32121-7	1	Pin-Spring
32	100-6741	1	Solenoid
33	100-6746	1	Pin-Shift Limiter
34	83-1890	1	Switch-Ball
35	3220-11	1	Nut-Jam
36	3296-2	6	Nut-Lock
40	322-12	1	Screw-HH
41	356303	1	Washer
42	100-6747	1	Solenoid Mount ASM
43	87-3520	1	Clevis
44	3290-507	1	Pin-Dowel
45	100-6751	1	Harness-Shift Limiter
46	100-7072	1	Protector-Wire



Parking Brake Console Assembly

Ref	Part No.	Qty.	Description
1	87-8240	1	Cable-Brake
2	32120-47	2	Ring-Retaining, External
3	100-8261	1	Cable-Park Brake, RH
4	87-3480	1	Bracket-Equalizer, Cable
5	3256-23	1	Washer-Flat
6	42610	1	Voltmeter
7	83-0020	1	Switch-Ignition
7:1	218-461	1	Nut-HH
7:2	3254-5	1	Washer-Tooth
8	100-8532-03	1	Angle-Seatbox
9	100-8452	1	Vehicle Control Panel ASM
9:2	100-8470	1	Decal-Controls
10	100-8469	1	Switch-Rocker
11	104-9007	2	Switch-Rocker
12	66-2950	1	Gauge-Hourmeter
12:1	3255-20	2	Washer-Lock
12:2	3217-25	2	Nut-Hex
13	3250-25	10	Screw-PPH
14	3234-11	2	Screw-HHF
15	3296-42	1	Nut-Lock, NI
16	87-2710	1	Lever-Brake
17	87-4710	1	Spacer-Brake, Parking
18	3290-477	1	Washer-Curved
19	321-9	1	Screw-HH

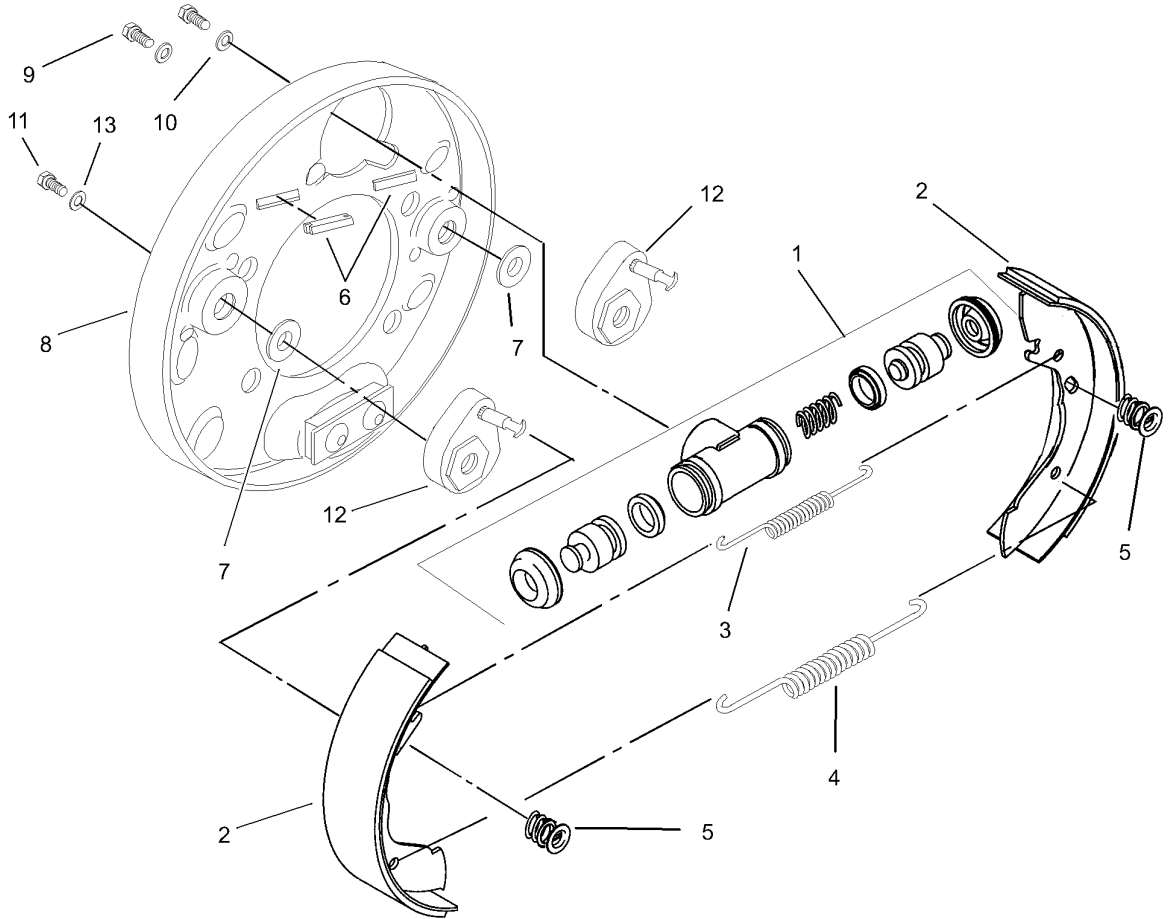
Ref	Part No.	Qty.	Description
20	99-7420	5	Plug-Hole
21	100-8505	1	Spray Control Panel ASM
21:2	100-8489	1	Decal-Spray Control
22	41697	1	Choke-Control
23	100-8385-03	1	Bracket-Throttle Speed
24	32144-10	4	Screw-HWH
25	32128-21	2	Nut-HF
26	2412-81	2	Clamp-R
27	94-3829	1	Pin-Clevis
28	3272-6	1	Pin-Cotter
29	100-1535	1	Switch
30	100-8490	3	Switch-Dpdt
31	94-5245	1	Switch-Key
32	100-8384	1	Throttle Speed Control ASM
33	63-8360	1	Key-Ignition
34	32149-9	2	Nut



Front Wheel Assembly

Ref	Part No.	Qty.	Description
1	241-119	2	Cap-Dust
2	1-809082	2	Nut-SHH
3	27-1850	2	Washer-Pivot
4	93-6487	2	Front Tire And Wheel ASM
4:1	93-6486	1	Tire
4:2	241-121	1	Wheel ASM
4:3	232-27	1	Stem-Valve
5	254-92	4	Cone-Bearing, Outer
7	100-8287	2	Hub/drum - Front
7:1	254-72	2	Bearing-Cup, Tapered
8	32128-28	8	Locknut
9	100-8285	2	Front Brake ASM
10	86-8610	8	Screw-HHF
11	253-129	2	Seal
12	321077	10	Nut-Wheel
13	3272-13	2	Pin-Cotter

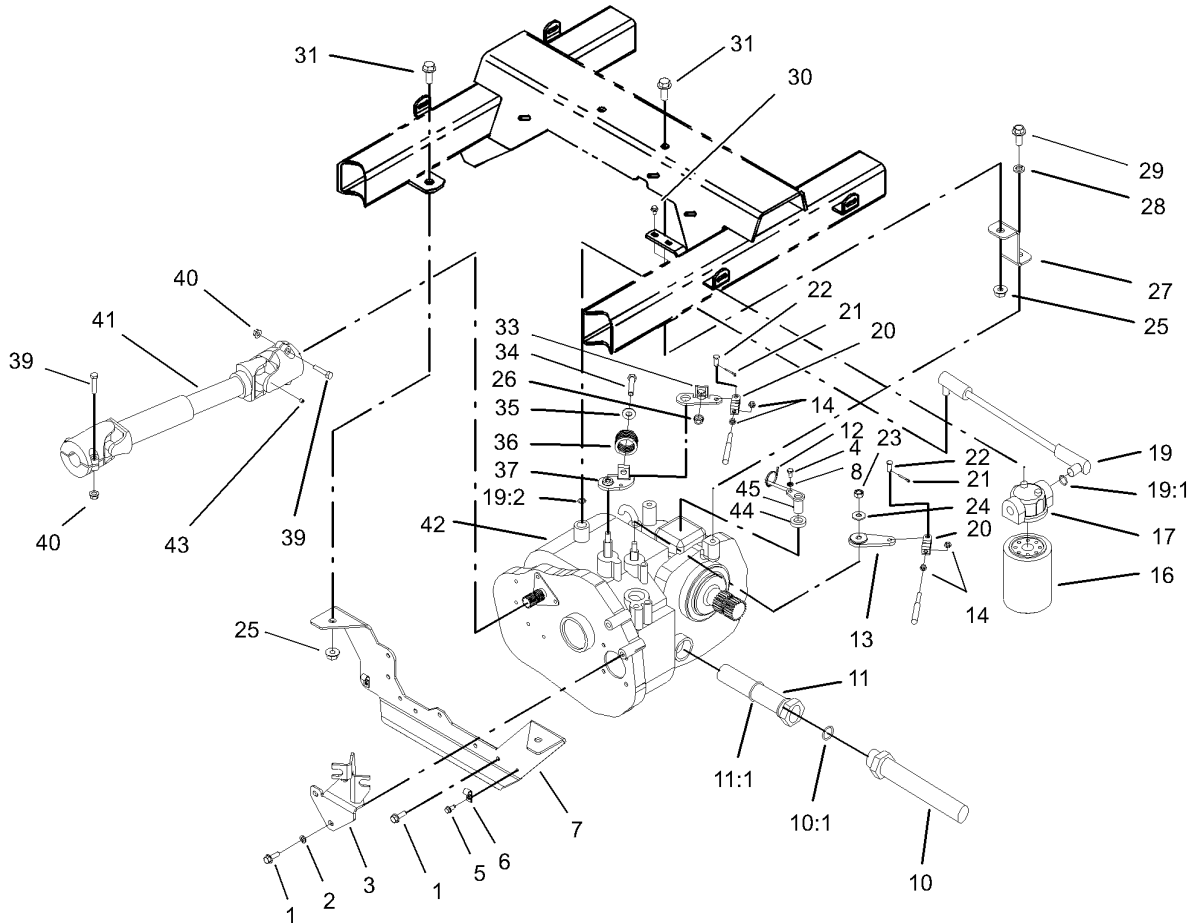
--	--	--	--



Front Brake Assembly No. 100-8285

Ref	Part No.	Qty.	Description
1	100-8580	1	Wheel Cylinder ASM
2	100-8587	1	Shoe Set
3	100-8581	1	Spring-Upper
4	100-8582	1	Spring-Lower
5	100-8583	2	Shoe Hold Down Spring ASM
6	100-8584	2	Cover-Dust
7	100-8585	2	Washer-Bellville
8	100-8586	1	Backing Plate ASM
9	33103-012	2	Screw-HHF
10	3253-3	2	Washer-Lock
11	329-2	2	Screw-HH
12	100-8588	2	Adjuster Lever ASM
13	3256-1	2	Washer-Flat

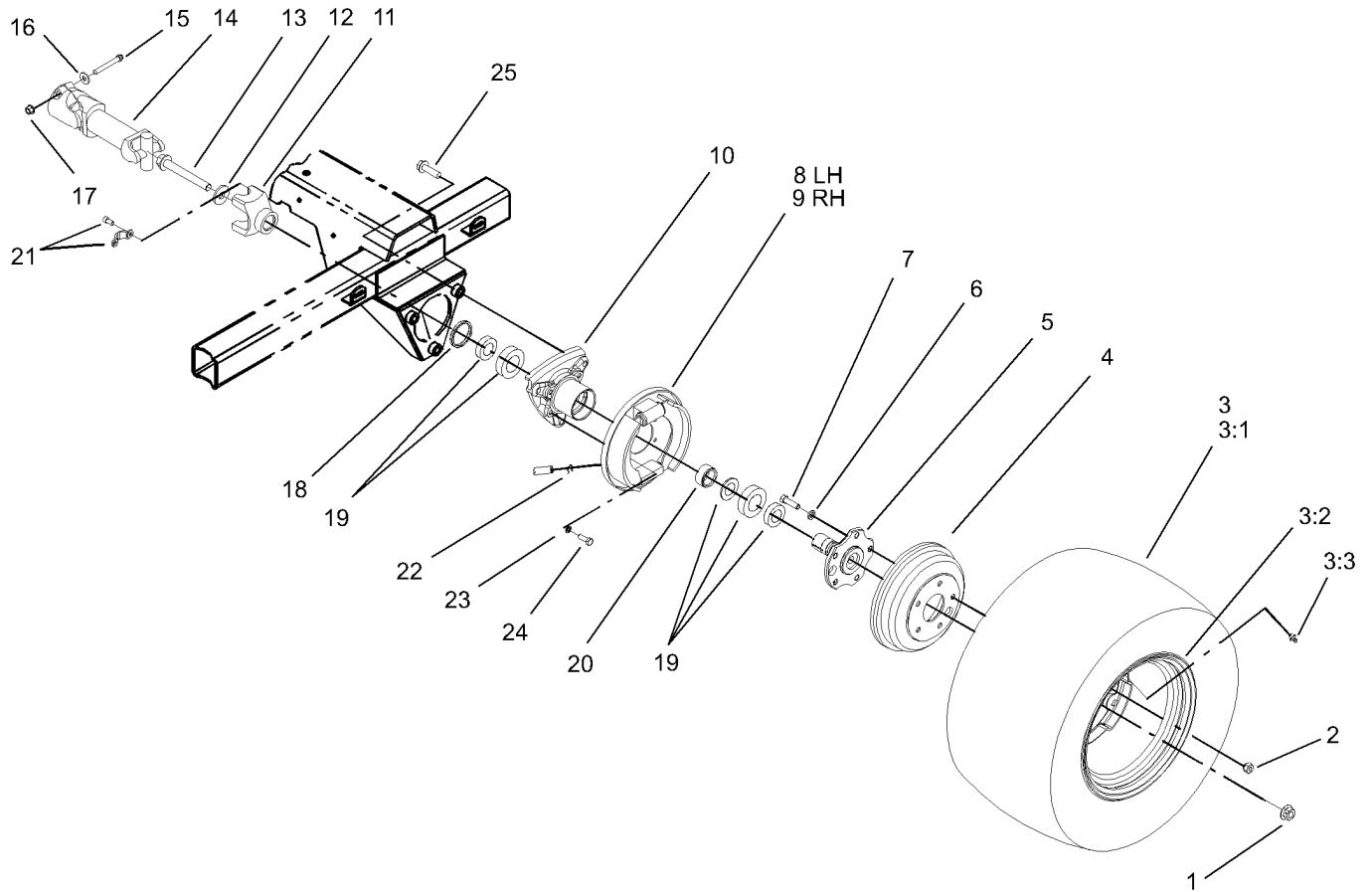
--	--	--	--



Transaxle Installation Assembly

Ref	Part No.	Qty.	Description
1	33104-025	10	Screw-HHF
2	3253-4	10	Washer-Lock
3	100-8303-03	1	Mount-Cable
4	33113-012	1	Screw-HH
5	32144-10	2	Screw-HWH
6	2412-89	2	Clamp
7	100-8531-03	1	Transaxle-Mount
8	48-8020	1	Washer-Spring
10	100-8250	1	Hose-Suction
10:1	237-81	1	O-Ring
11	87-3990	1	Strainer-Transaxle
11:1	237-123	1	O-Ring
12	3290-379	1	Tie-Cable
13	87-7960	1	Lever-Shift
14	3220-1	4	Nut-Jam
16	54-0110	1	Filter-Oil, Transmission
17	87-8780	1	Head-Filter
19	100-8254	1	Hose-Axle Return
19:1	237-79	1	O-Ring
19:2	237-42	1	O-Ring
20	87-2310	2	Clevis-Cable
21	3272-6	2	Pin-Cotter
22	283-62	2	Pin-Clevis
23	48-9520	2	Nut

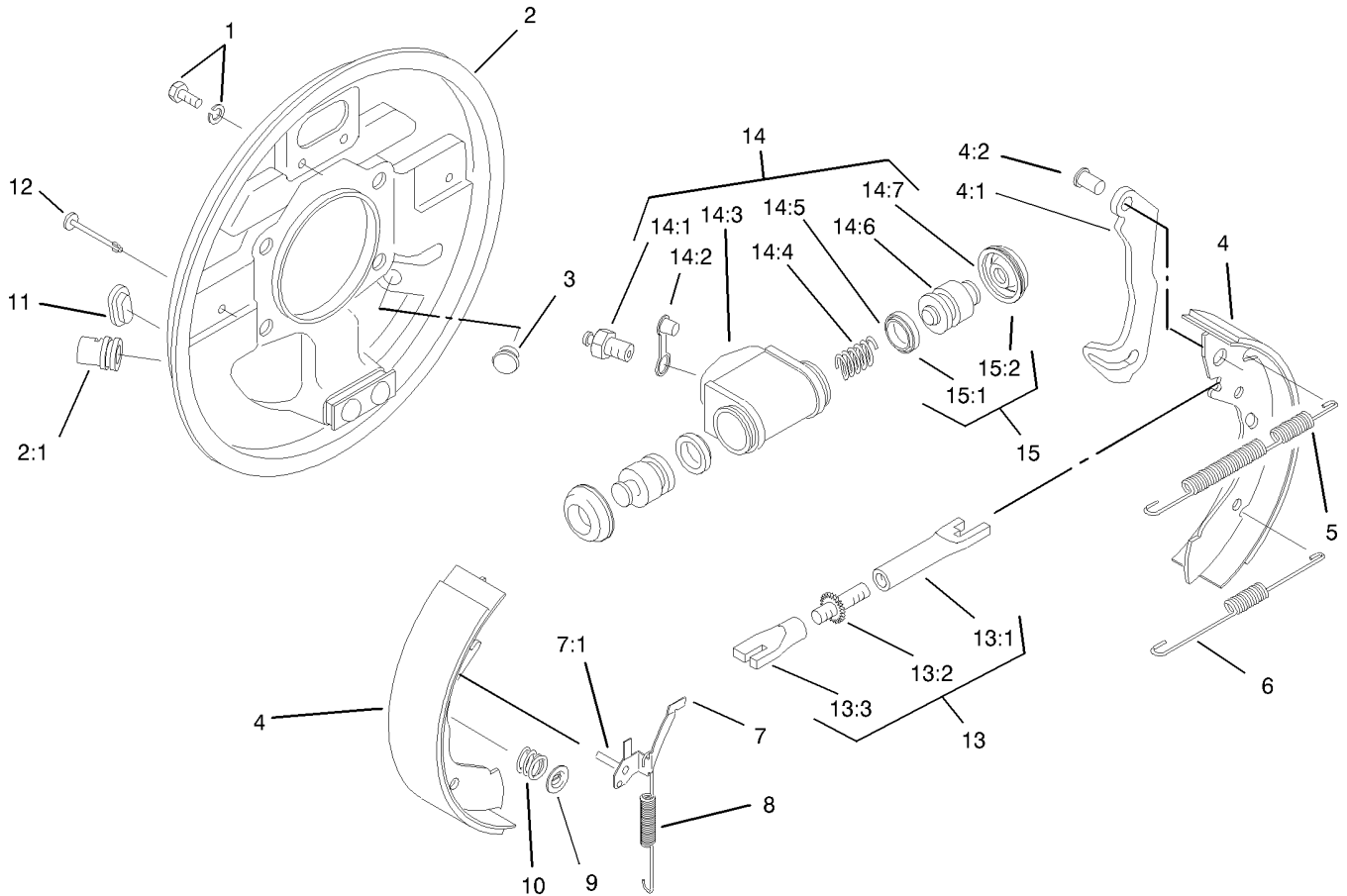
Ref	Part No.	Qty.	Description
24	80-6990	2	Washer-Hardened
25	32128-49	2	Nut-HHF
26	32128-21	1	Nut-HF
27	100-8220-03	2	Strap-Mount, Transaxle
28	3253-7	2	Washer-Lock
29	33106-030	2	Screw-HHF
30	3234-33	2	Screw-HHF
31	3234-32	4	Screw-HHF
33	87-8250	1	Plate-Arm, Shift
34	323-10	1	Screw-HH
35	3256-4	1	Washer-Flat
36	87-6910	1	Spring-Compression
37	87-7970	1	Arm-Shift
39	322-7	4	Screw-HH
40	3296-29	4	Nut-Lock, NI
41	100-8293	1	Shaft-Drive, Input
42	104-9078	1	Transaxle
43	3245-32	1	Screw-HS
44	92-3735	1	Seal-Oil, Sensor
45	85-4350	1	Sensor-Geartooth



Rear Wheel Assembly

Ref	Part No.	Qty.	Description
1	105-1764	2	Nut-Flange, Side Lock
2	321077	10	Nut-Wheel
3	87-5370	2	Rear Tire And Wheel ASM
3:1	87-6740	1	Tire-Rear
3:2	87-6750	1	Wheel
3:3	232-27	1	Stem-Valve
4	93-7128	2	Drum-Brake
5	105-1717-03	2	Axle-Stub
6	3253-6	10	Washer-Lock
7	87-2080	10	Bolt-Hex, TAP
8	93-7126	1	LH Rear Brake ASM
9	93-7125	1	RH Rear Brake ASM
10	87-2240-03	2	Housing-Axle
11	92-4190	2	Yoke
12	104-9216	2	Washer-Hardened
13	105-1763	2	Screw-Hfh
14	98-2918	2	Driveshaft ASM
15	98-2939	4	Screw-Cap
16	80-6990	4	Washer-Hardened
17	32128-36	4	Nut-HF
18	87-3590	2	Seal-Bearing
19	87-1970	2	Bearing
20	87-4060	2	Spacer-Bearing, Wheel
21	92-4189	2	Strap And Bolt Kit

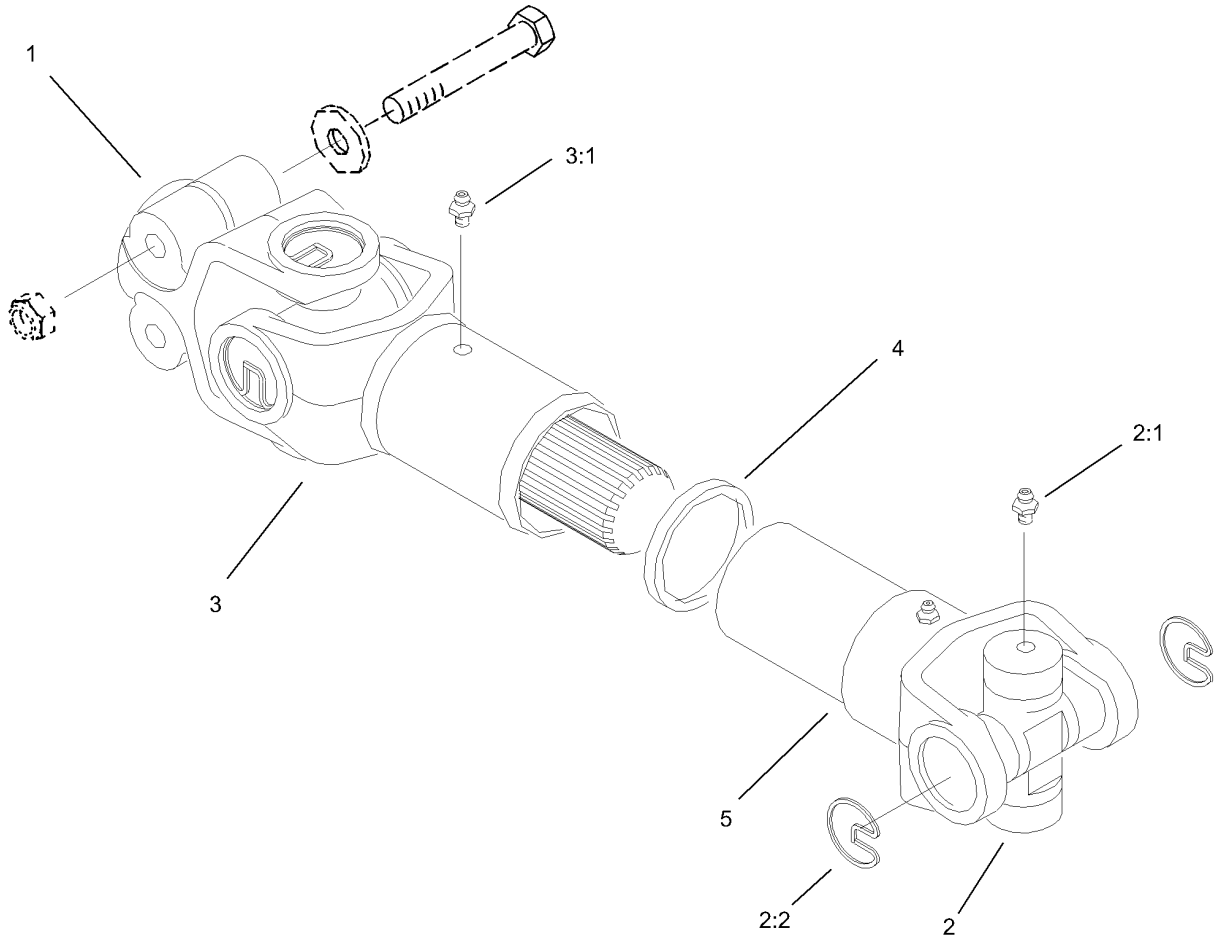
Ref	Part No.	Qty.	Description
22	87-3310	2	Clip-Cable, Brake
23	3253-21	8	Washer-Lock
24	323-6	8	Screw-HH
25	3234-22	6	Screw-HHF



Rear Brake Assembly No. 93-7125 (Right) and 93-7126 (Left)

Ref	Part No.	Qty.	Description
1	92-4135	2	Bolt-Set
2	92-4100	1	RH Backplate ASM
2	92-4136	1	LH Backplate ASM
2:1		1	Guide-Pipe
3	92-4146	1	Plunger ASM
4	92-4143	1	Lined Shoe Kit
4:1		1	Lever-Operating
4:2		1	Pin
5	92-4148	1	Spring-Shoe Ret, Upper RH
5	92-4147	1	Spring-Shoe Ret, Upper LH
6	92-4149	1	Spring-Shoe Ret, Lower
7	92-4123	1	LH Pawl Lever ASM
7	92-4124	1	RH Pawl Lever ASM
7:1		1	Pin-Pawl
8	92-4151	1	Spring-Adjuster, RH
8	92-4150	1	Spring-Adjuster, LH
9	92-4131	2	Washer-Hold Down, Shoe
10	92-4152	2	Spring-Hold Down, Shoe
11	92-4134	1	Plug-Inspection
12	92-4133	2	Pin-Hold Down, Shoe
13	92-4144	1	LH Adjustor ASM
13	92-4145	1	RH Adjustor ASM
13:1		1	Pushrod-Female
13:2		1	Bolt-Adjuster

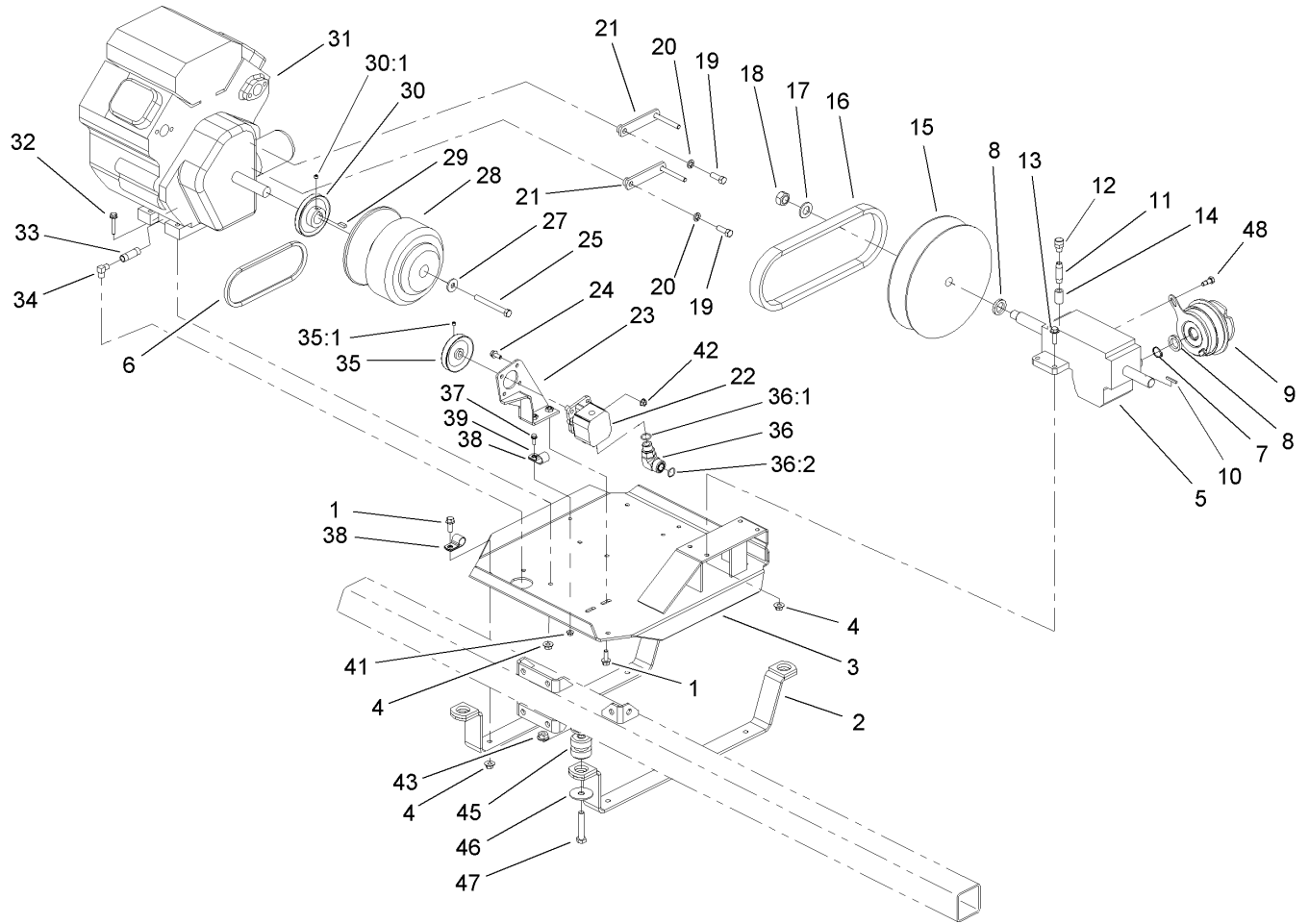
Ref	Part No.	Qty.	Description
13:3		1	Sleeve-Adjuster
14	92-4141	1	RH Wheel Cylinder ASM
14	92-4140	1	LH Wheel Cylinder ASM
14:1	92-4137	1	Screw-Bleed
14:2	92-4114	1	Cap-Screw, Bleed
14:3		1	Body
14:4		1	Spring
14:5		2	Seal-L- Type
14:6		2	Piston
14:7		2	Cover-Dust
15	92-4142	1	Seal Kit
15:1		2	Seal-L- Type
15:2		2	Cover-Dust



Driveshaft Assembly No. 98-2918

Ref	Part No.	Qty.	Description
1	98-2940	1	Yoke
2	92-4187	2	Cross And Bearing Kit
2:1	302-58	2	Fitting-Grease
2:2	92-4188	2	Ring-Snap
3	92-4179	1	Yoke-Tube, Shaft And Seal
3:1	302-5	1	Fitting-Grease
4	92-4180	1	Seal
5	92-4182	1	Yoke And Hub

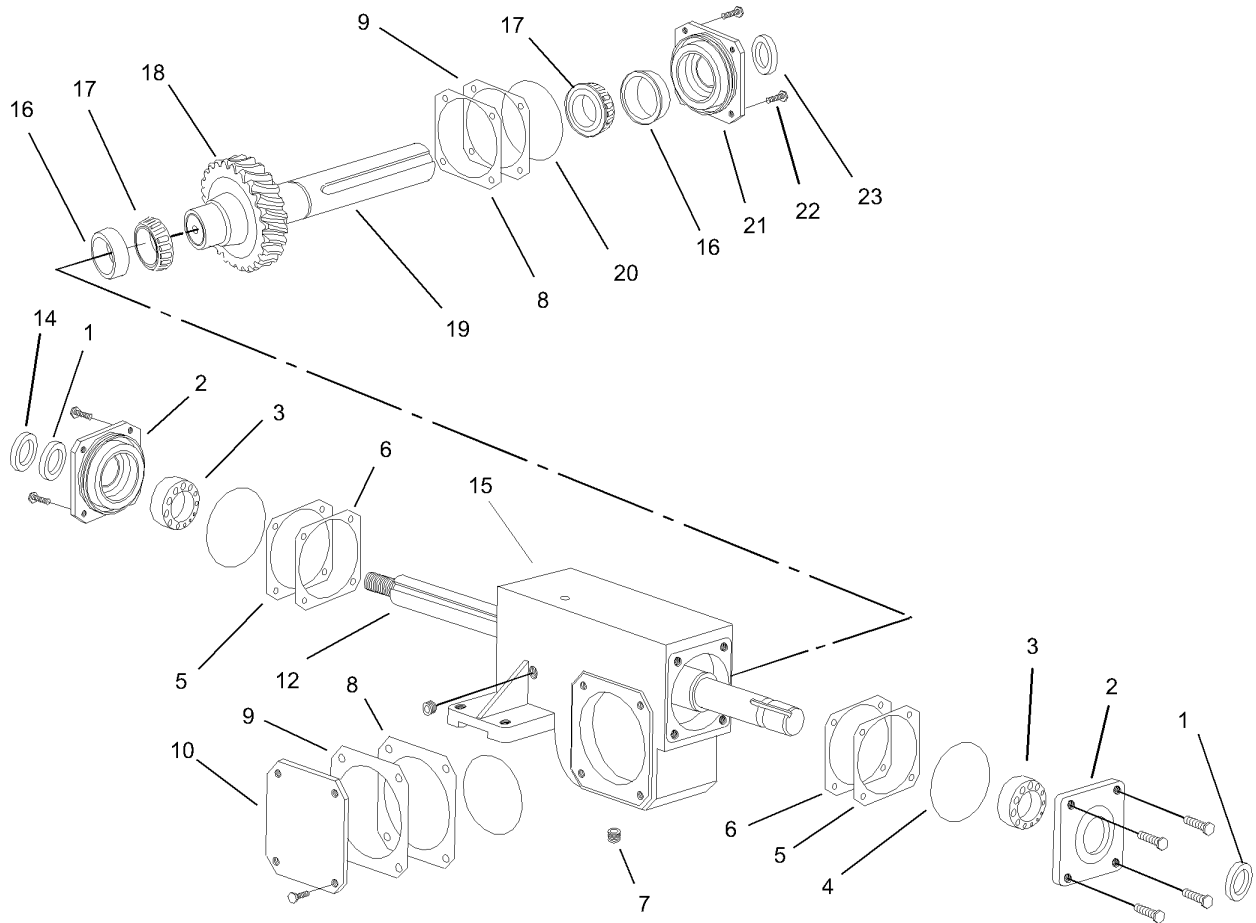
--	--	--	--



Engine Installation Assembly

Ref	Part No.	Qty.	Description
1	3234-11	6	Screw-HHF
2	100-8377-03	2	Strap-Support, Engine
3	100-8357-03	1	Plate-Mounting, Engine
4	32128-43	12	Nut-Flange
5	99-0663	1	Gearbox-Pump Drive
6	100-8372	1	Belt-Steering
7	32151-36	1	Ring-Retaining
8	100-8390	2	Spacer
9	100-8290	1	Clutch-Electric, Pump Drive
10	92-0049	1	Key-Square
11	106-4869	1	Pipe-Coupling
12	100-6931	1	Breather
13	3234-24	4	Screw-HHF
14	104-8766	1	Nipple
15	100-8289	1	Drive Pulley ASM
16	99-0735	1	Belt-Cvt
17	3256-28	1	Washer-Flat
18	100-8486	1	Nut-Locking, LH
19	324-5	2	Screw-HH
20	3253-6	2	Washer-Lock
21	100-8373	2	Belt Guide ASM
22	100-8302	1	Pump-Steering
23	100-8368-03	1	Bracket-Pump, Steering
24	322-4	4	Screw-HH

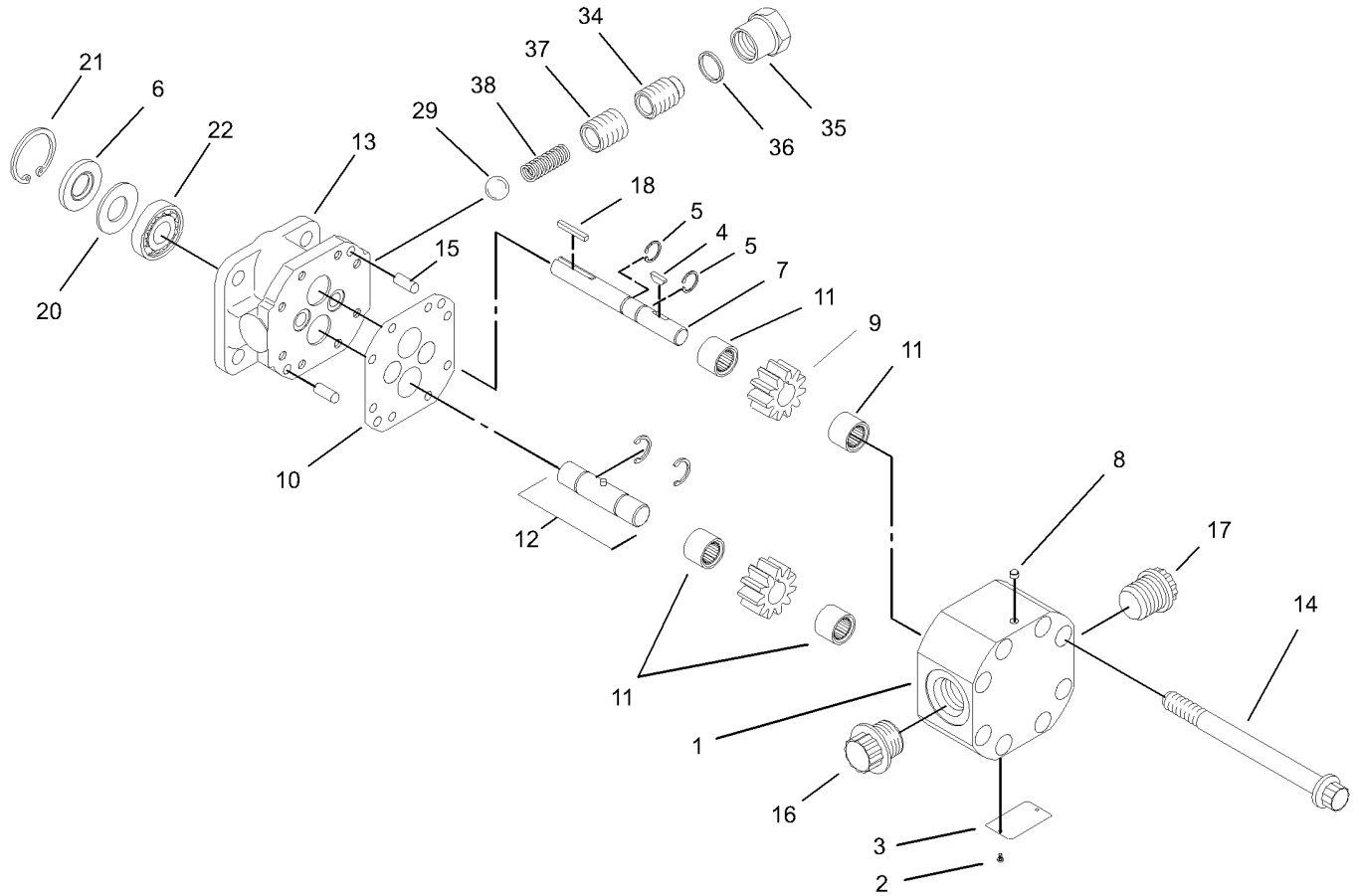
Ref	Part No.	Qty.	Description
25	3212-16	1	Screw-HH
27	710128	1	Washer
28	100-8288	1	Clutch-Driver
29	100-8260	1	Key-Shaft
30	92-0488	1	Pulley-Pump, Power Steering
30:1	3246-2	1	Screw-Set, HSH
31	99-0819	1	Engine-Kohler, Ch20s Ps-64647
32	3234-19	4	Screw-HHF
33	92-3647	1	Nipple
34	95023	1	Elbow-90 DEG
35	100-8371	1	Pulley-Pump, Power Steering
35:1	3246-2	1	Screw-Set, HSH
36	340-16	1	Fitting-Hyd, 90
36:1	237-80	1	O-Ring
36:2	237-58	1	O-Ring
37	3234-4	1	Screw-HHF
38	2412-81	3	Clamp-R
39	3256-22	1	Washer-Flat
41	32128-33	1	Nut-HF
42	32128-20	4	Nut-HF
43	32128-49	4	Nut-HHF
45	87-4970	4	Engine Mount ASM
46	41985	4	Special-Washer
47	325-11	4	Screw-HH



Gearbox Assembly No. 99-0663

Ref	Part No.	Qty.	Description
1	100-6929	2	Seal
2	100-6930	2	Cap-Open
3	251-348	2	Bearing-Ball
4	100-6932	2	O-Ring
5	100-6933	1	Shim-Red, .002
6	100-6934	1	Shim-Blue, .005
7	281-10	2	Plug
8	100-6936	1	Shim-Blue, .005
9	100-6937	1	Shim-Red, .002
10	100-6938	1	Cap-Closed
12	100-6940	1	Shaft-Worm
14	100-8390	1	Spacer
15		1	Housing-Gearbox
16	254-72	2	Bearing-Cup, Tapered
17	254-94	2	Bearing-Cone, Taper
18	100-6944	1	Gear-Worm, S/1
19	100-6946	1	Shaft-Output
20	237-161	2	O-Ring
21	100-6948	1	Cap-Open
22	321-3	16	Screw-HH
23	104-8764	1	Seal-Viton

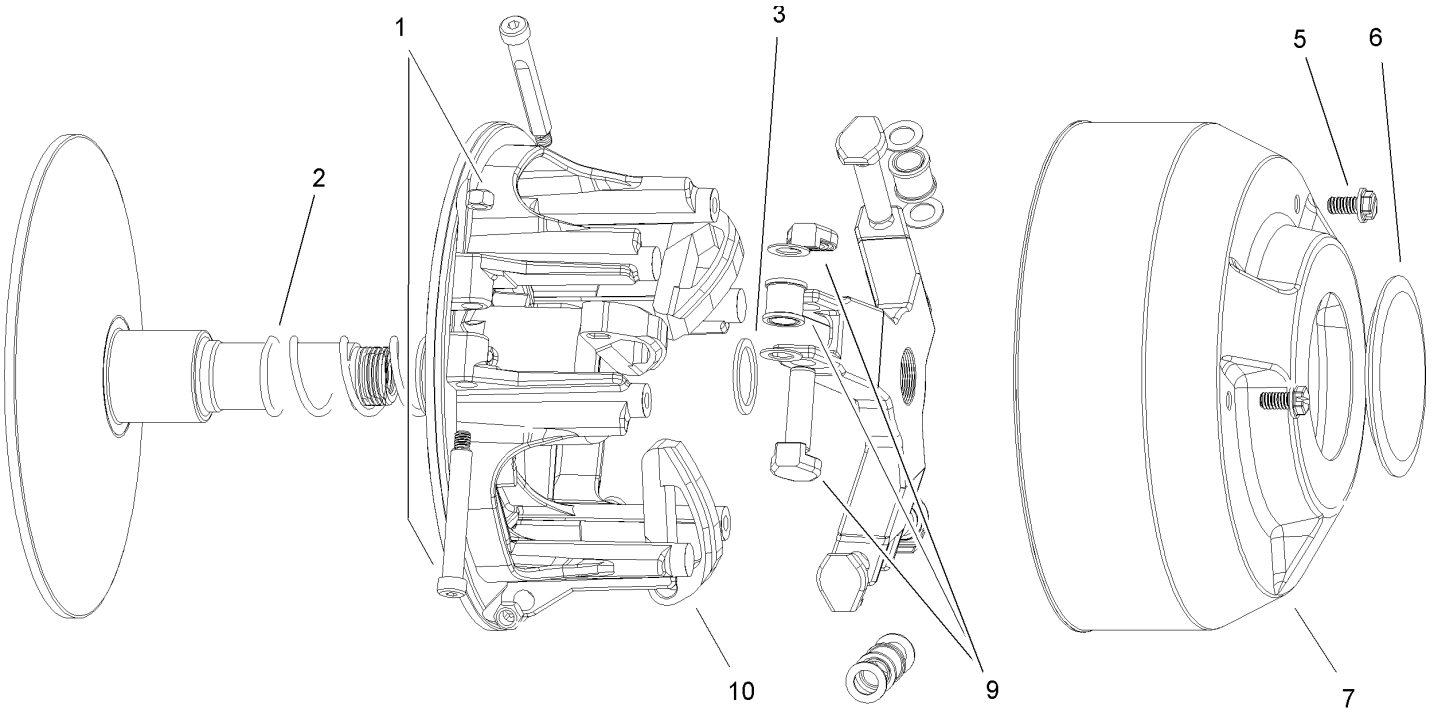
--	--	--	--



Steering Pump Assembly No. 100-8302

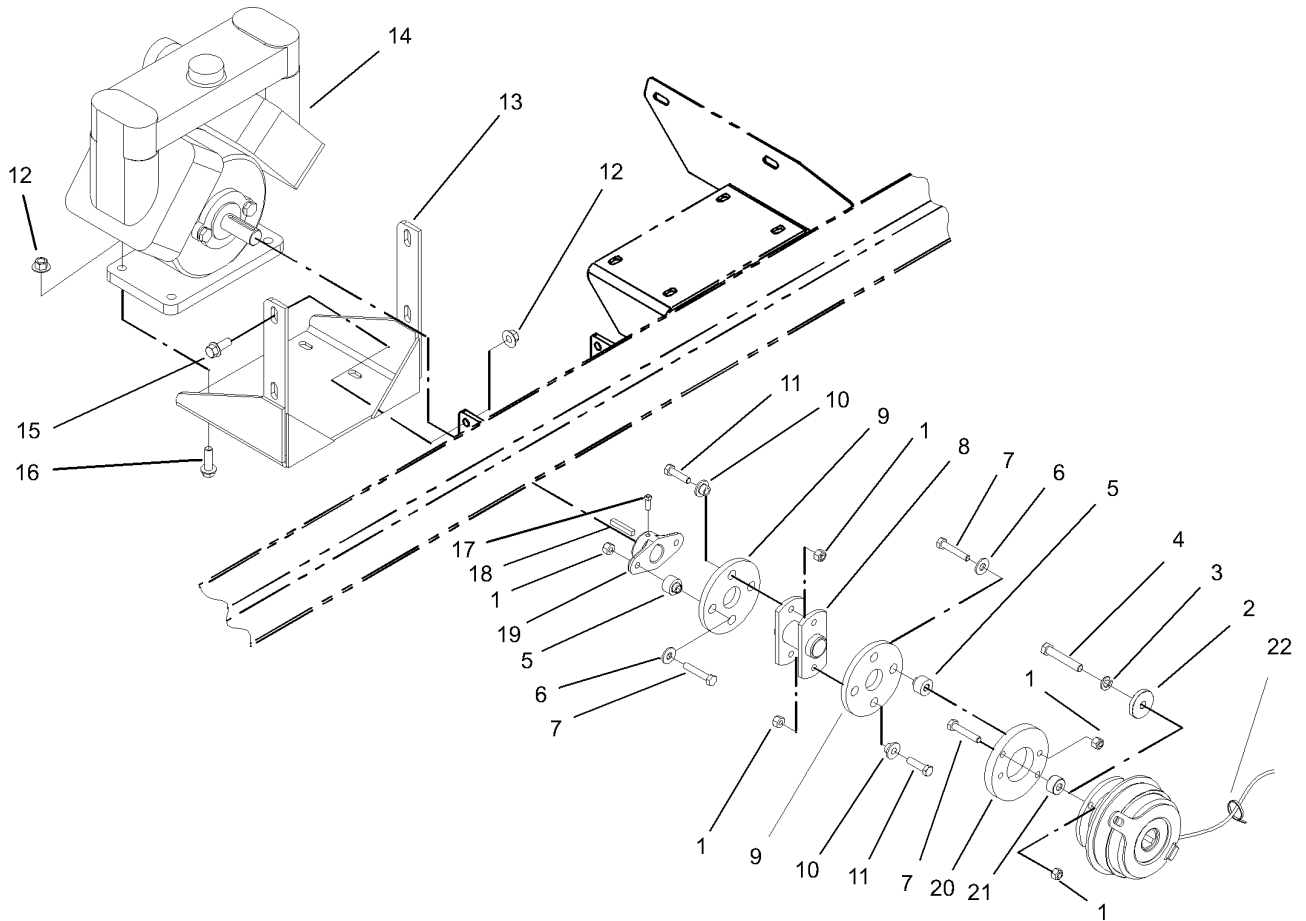
Ref	Part No.	Qty.	Description
1		1	Housing
2		2	Screw
3		1	Plate-Name
4	100-8270	1	Key
5	106-6851	2	Ring-Retaining
6	100-8275	1	Seal
7	106-6852	1	Shaft-Drive
8	100-8269	1	Plug-Beta
9	106-6853	1	Gear
10	106-6854	1	Gasket Kit
11	106-6855	4	Bearing-Needle
12	106-6856	1	Shaft-Idler
13		1	Stator
14	100-8268	8	Screw
15	100-8265	2	Pin-Shear
16		1	Plug
17		1	Plug
18	92-3876	1	Key-Shaft
20	92-2186	1	Spacer
21	106-6857	1	Ring-Retaining
22	92-2191	1	Bearing-Ball
29	100-8273	1	Ball-Steel
34	100-8272	1	Screw
35	92-2184	1	Cap-Hex, Relief Valve

Ref	Part No.	Qty.	Description
36	92-2180	1	Gasket-Copper
37	92-3870	1	Spring
38	92-3871	1	Spring



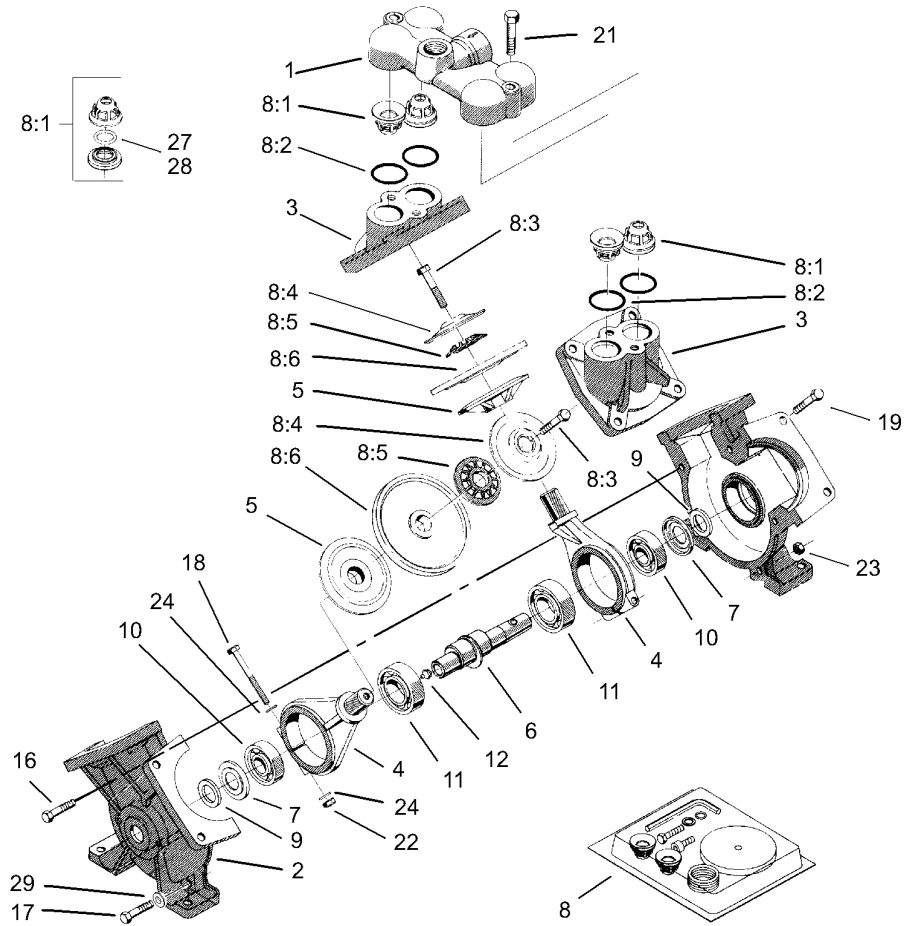
Driver Clutch Assembly No. 100-8288

Ref	Part No.	Qty.	Description	
1	104-4256	1	Pivot Bolt And Nut Kit	
2	100-6921	1	Spring-White	
3	104-1687	1	Spacer	
5	3234-26	3	Screw	
6	104-1690	1	Cap	
7	104-1691	1	Cover	
9	104-1697	1	Spider Roller Kit	
10	100-6922	1	Arm-Cam	



Pump Installation Assembly

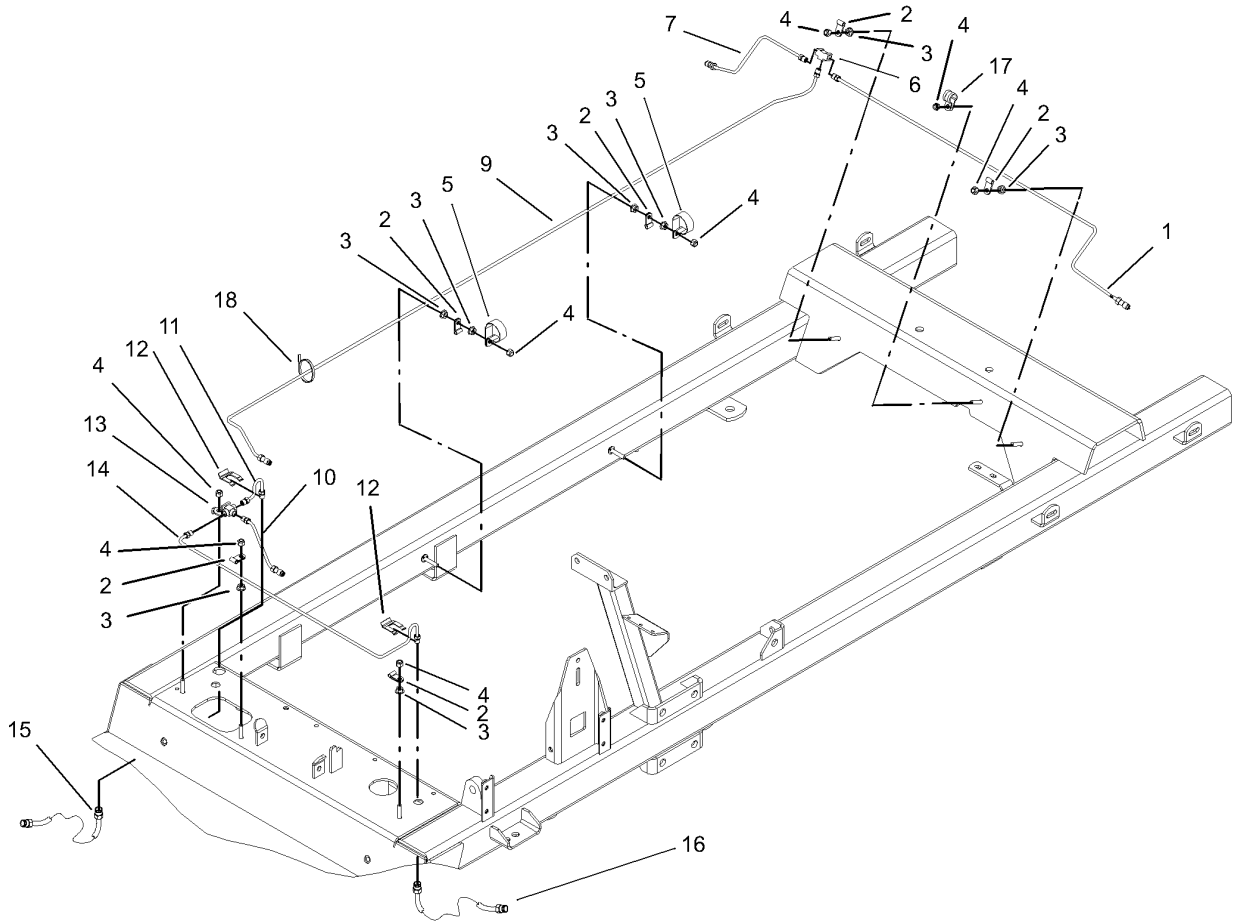
Ref	Part No.	Qty.	Description
1	3296-29	10	Nut-Lock, NI
2	100-8391	1	Retainer-Electric Clutch
3	3253-5	1	Washer-Lock
4	3211-10	1	Screw-HH
5	27-6590	4	Spacer-Coupling, Rubber
6	3256-3	4	Washer-Flat
7	322-9	6	Screw-HH
8	80-6950-03	1	Coupler-Drive
9	100-8471	2	Coupling-Rubber
10	104-8774	4	Spacer-Coupling
11	322-6	4	Screw-HH
12	32128-43	8	Nut-Flange
13	100-8477-03	1	Pump Mounting Bracket ASM
14	106-5121	1	Pump
15	3234-11	4	Screw-HHF
16	3234-24	4	Screw-HHF
17	3241-5	2	Screw-Set
18	67-7490	1	Key-Square
19	93-2589	1	Hub-Pump
20	100-8435	1	Adapter-Clutch
21	104-8763	2	Spacer
22	3290-379	1	Tie-Cable



Pump Assembly No. 106-5121

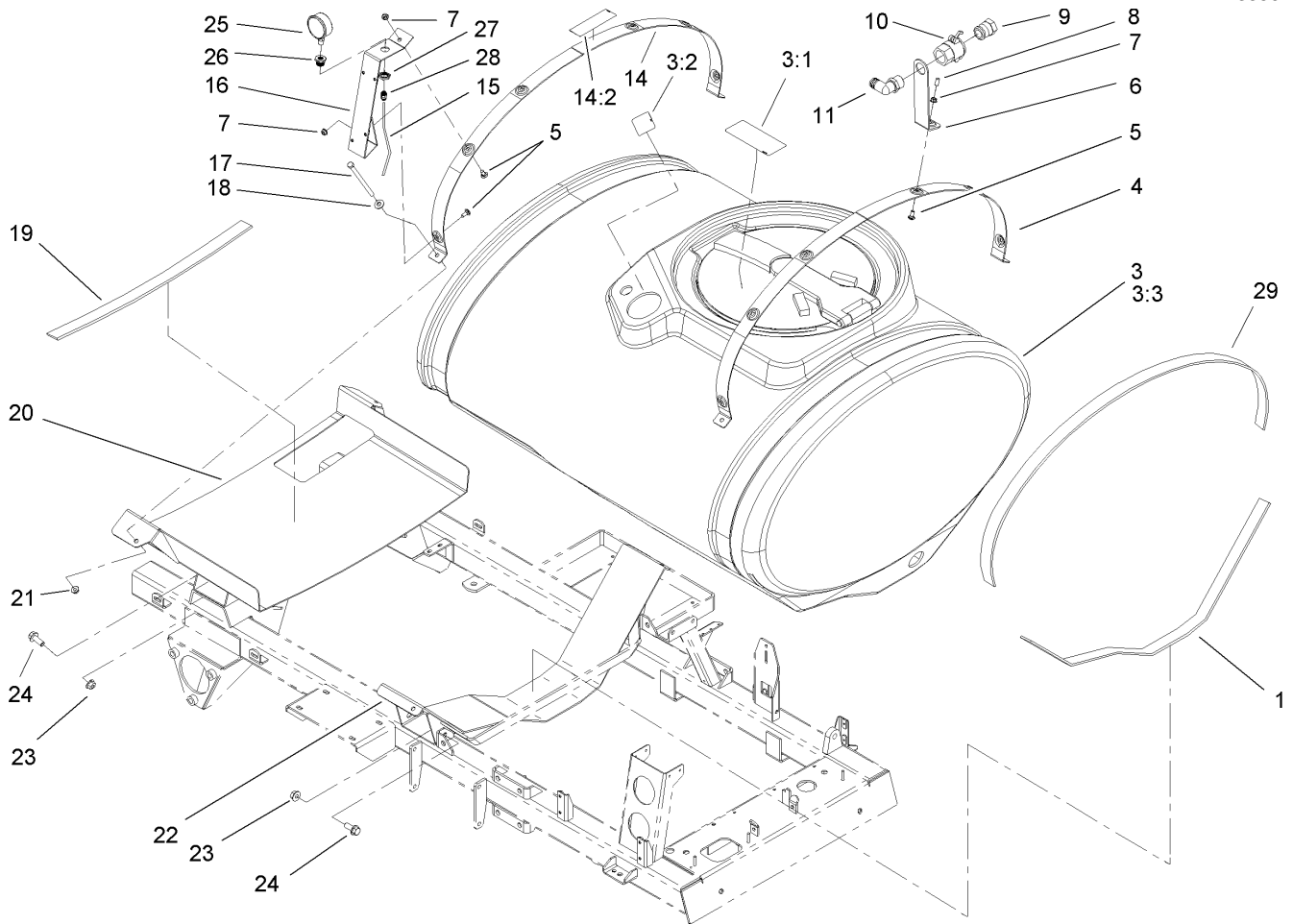
Ref	Part No.	Qty.	Description
1	106-5139	1	Cover-Valve
2	106-5140	2	Housing-Pump
3	106-5141	2	Cover-Diaphragm
4	106-5142	2	Rod-Connecting
5	100-8314	2	Disc-Back, Diaphragm
6	104-9052	1	Crankshaft-Keyed
7	100-8325	2	Plate-Dust
8	106-5150	1	Repair Kit
8:1	100-8307	4	Valve
8:2	100-6652	4	Gasket
8:3	106-5147	2	Bolt
8:4	100-8311	2	Washer
8:5	100-8312	2	Washer-Nylon
8:6	100-8313	2	Diaphragm
9	99-0868	2	Felt-Seal
10	100-8327	2	Bearing-Ball
11	100-8329	2	Bearing-Ball
12	99-0873	1	Fitting-Grease
16	106-5143	3	Bolt
17	106-5144	2	Bolt
18	106-5145	2	Bolt
19	106-5146	8	Bolt
21	106-5148	2	Bolt
22	100-8326	2	Nut-Hex

Ref	Part No.	Qty.	Description
23	106-5149	5	Nut
24	100-8316	4	Washer-Lock
27	100-8336	4	O-Ring
28	106-5138	4	O-Ring
29	106-5137	2	Washer



Hydraulic Brake Line Assembly

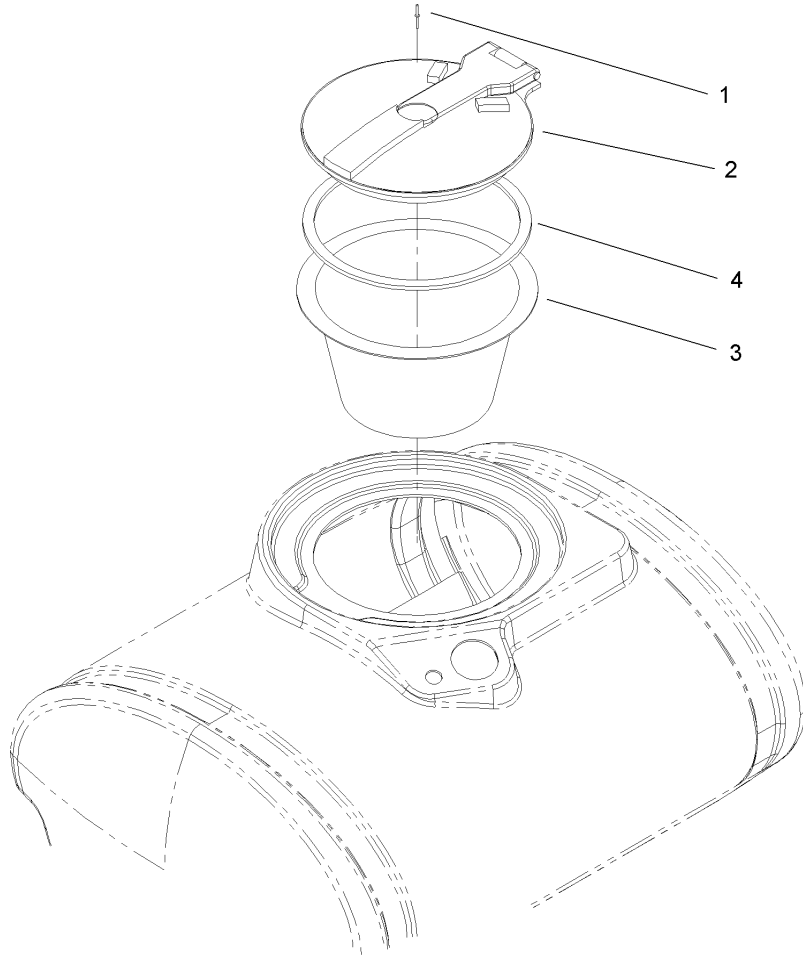
Ref	Part No.	Qty.	Description				
1	100-8511	1	Tube-Brake, Rear LH				
2	2412-149	6	Clamp-Hose				
3	32128-33	8	Nut-HF				
4	3296-42	8	Nut-Lock, NI				
5	2412-74	2	R-Clamp				
6	98346	1	Fitting-Tee				
7	100-8510	1	Tube-Brake, Rear RH				
9	100-8509	1	Brake Tube Asm, Rear Supply				
10	100-8506	1	Brake Tube Asm, Front Supply				
11	100-8508	1	Tube-Brake, Front RH				
12	87-3580	2	Clip-Retainer				
13	87-3560	1	Tee				
14	100-8507	1	Tube-Brake, Front LH				
15	100-8420	1	Hose-Front Brake				
16	100-8467	1	Hose-Front Brake, LH				
17	2412-134	1	R-Clamp				
18	3290-379	3	Tie-Cable				



Tank and Saddle Assembly

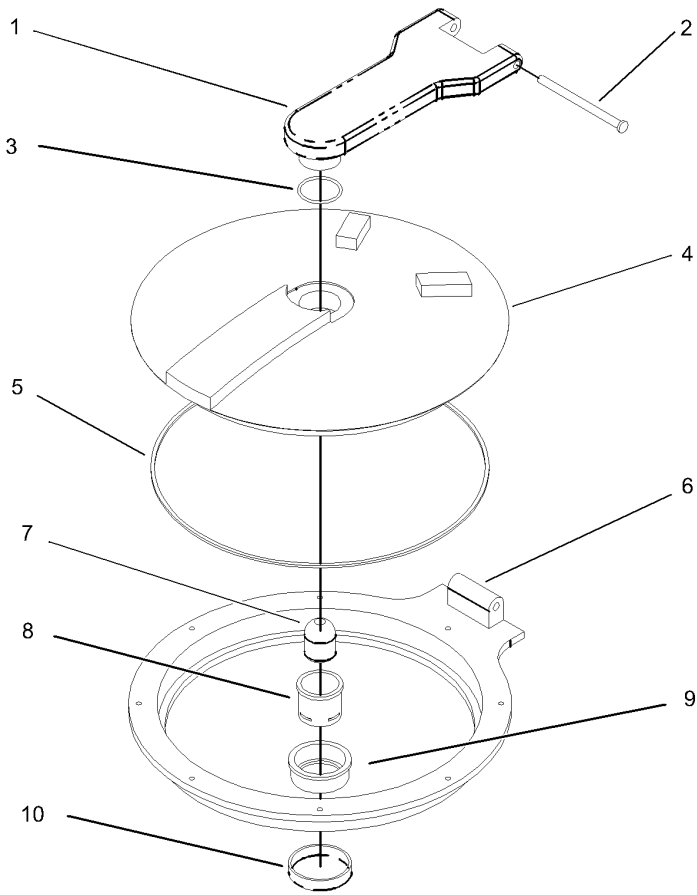
Ref	Part No.	Qty.	Description
1	100-8573	2	Foam-Saddle, Front
3	104-9053	1	160 Gallon Tank ASM
3:1	100-6836	1	Decal-Tank Drain
3:2	93-0688	1	Decal - Chemical Warning,
3:3		1	160 Gallon Spray Tank ASM
4	100-8575-03	1	Band-Tank
5	3230-1	3	Bolt-CARR
6	100-6778-03	1	Bracket-Anti-Siphon
7	32128-20	3	Nut-HF
8	42452	1	Cap-Protective
9	41316	1	Adapter-Quick
10	100-6779	1	Coupling-Female
11	41140	1	Elbow
14	100-7006	1	Tank Band ASM
14:2	87-0570	1	Decal-Electric Shock
15	104-8989	1	Tubing-Pressure
16	100-8479-03	1	Tee Mounting Bracket ASM
17	100-8528	4	Screw-HH
18	3256-4	4	Washer-Flat
19	100-8574	3	Foam-Saddle, Right Rear
20	100-8569-03	1	Rear-Saddle
21	104-8301	4	Nut-Flange, NI
22	100-8565-03	1	Front-Saddle
23	32128-49	4	Nut-HHF

Ref	Part No.	Qty.	Description
24	3234-32	4	Screw-HHF
25	100-8576	1	Gauge-Pressure
26	100-8665	1	Reducer-Gauge, Pressure
27	100-8666	1	Nut-Reducer
28	100-8667	1	Coupler-Reducer
29	104-8781	2	Insulator-Tank, Strap



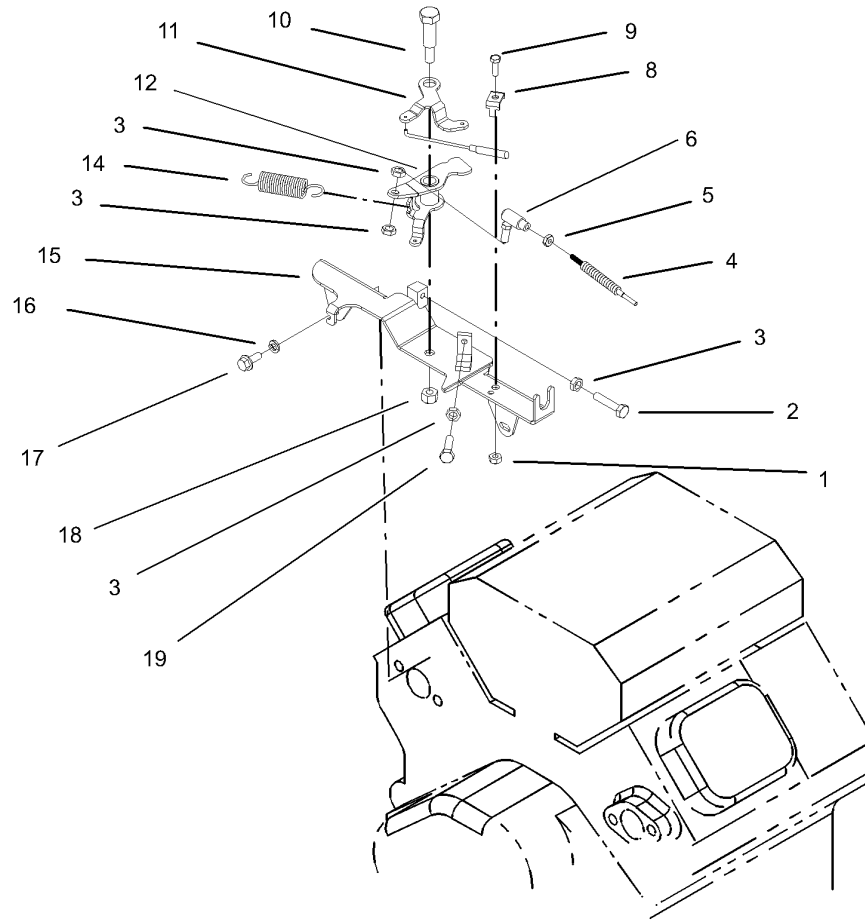
Spray Tank Assembly No. 104-9020

Ref	Part No.	Qty.	Description				
1	93-0833	8	Rivet				
2	94-7088	1	Tank Lid ASM				
3	104-9051	1	Basket-Strainer				
4	106-4991	1	Seal-Lid				



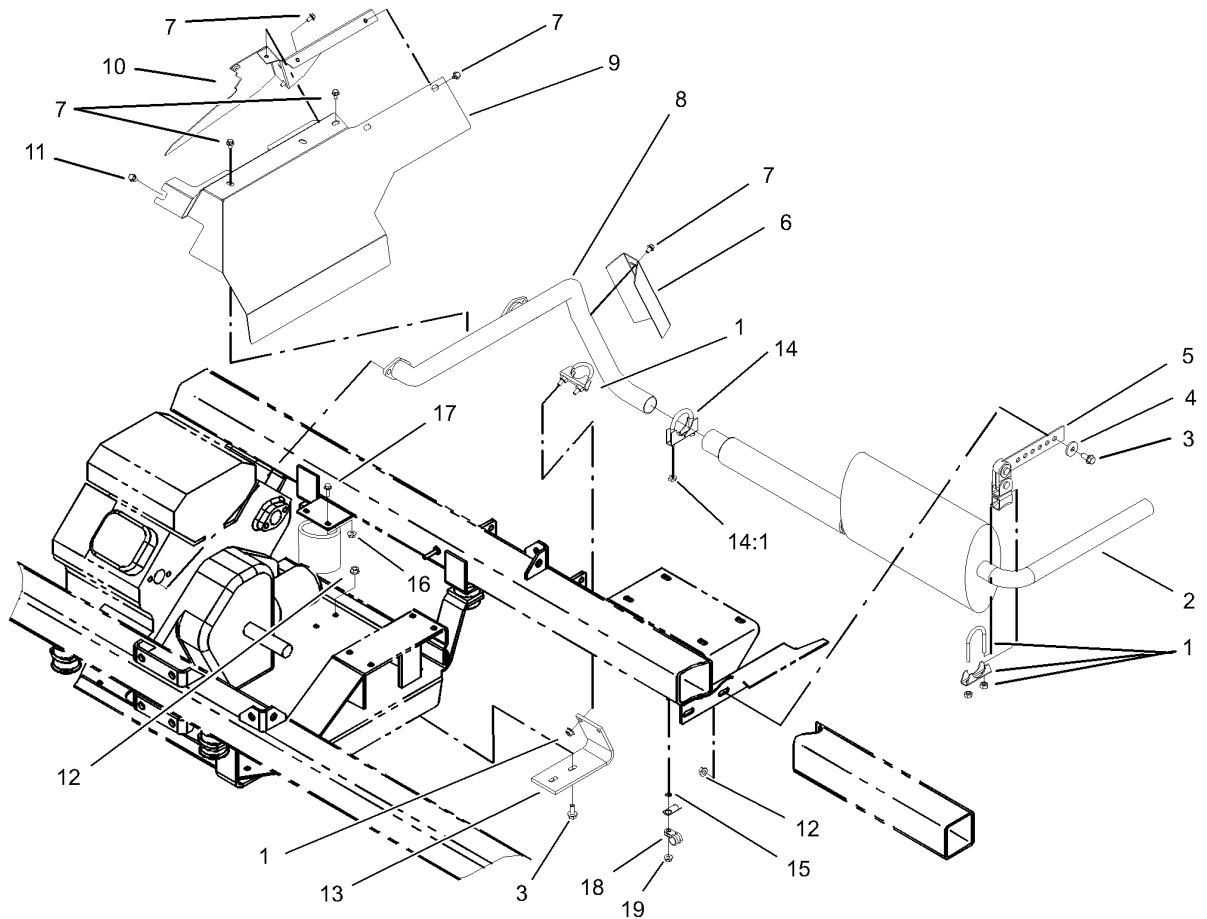
Spray Tank Lid Assembly No. 94-7088

Ref	Part No.	Qty.	Description				
1	94-7205	1	Arm-Swivel				
2	94-7213	1	Pin-Pivot				
3	94-7206	1	O-Ring				
4	94-7207	1	Lid				
5	94-7208	1	Gasket				
6	94-7211	1	Ring				
7	94-7209	1	Plunger				
8	94-7210	1	Body				
9	94-7212	1	Nut				
10	94-7214	1	Cap				



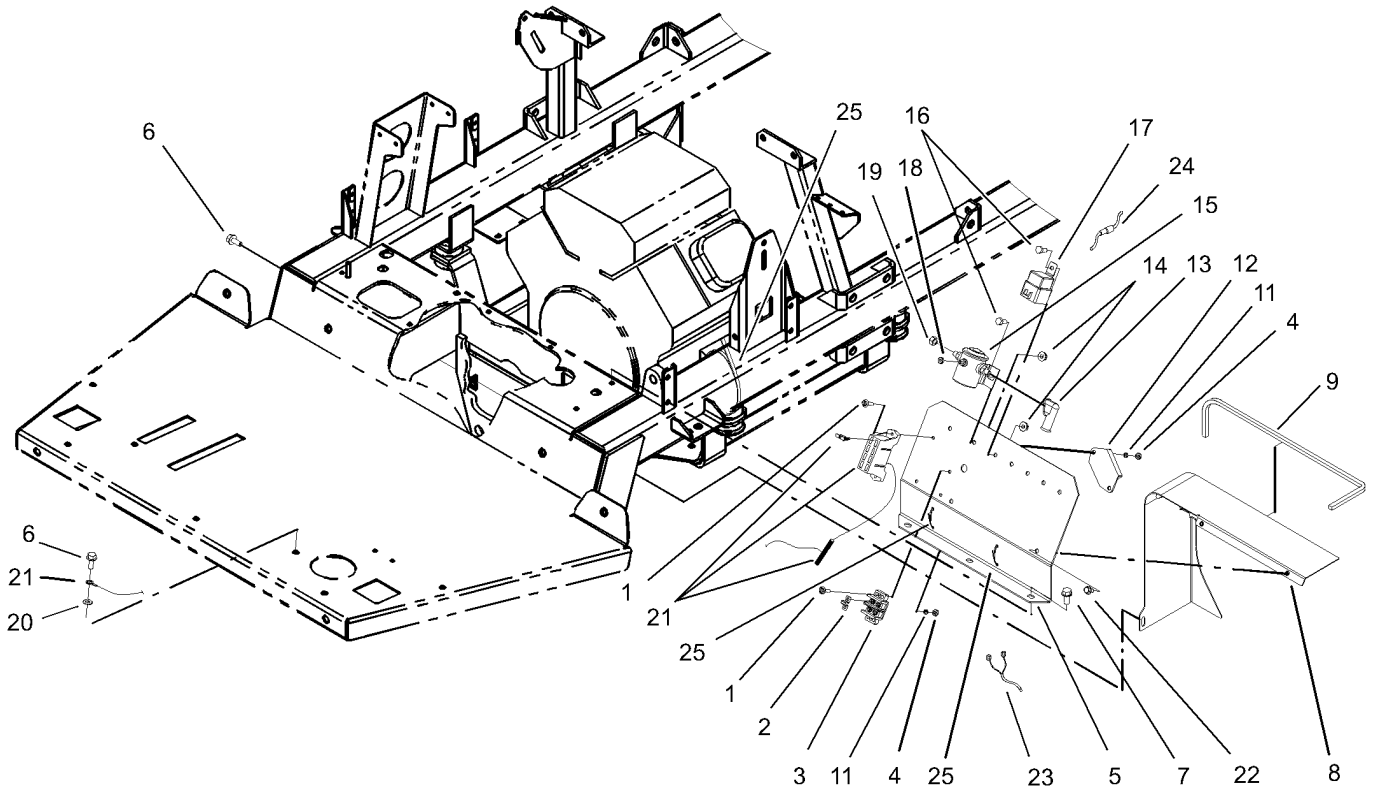
Throttle Linkage Assembly

Ref	Part No.	Qty.	Description				
1	3296-2	1	Nut-Lock				
2	329-7	1	Screw-HH				
3	3220-1	4	Nut-Jam				
4	100-8383	1	Cable-Accelerator				
5	3219-14	1	Nut-Hex				
6	100-8559	1	Ball Joint ASM				
8	92-0477	1	Clamp-Cable				
9	3290-134	1	Screw				
10	7-0030	1	Bolt-Shoulder				
11	87-7790	1	Lever-Choke				
12	100-8558	1	Lever-Throttle				
14	67-1450	1	Spring-Idler, Deck				
15	100-8557	1	Lever-Throttle				
16	48-8020	4	Washer-Spring				
17	33103-016	4	Screw-HHF				
18	3296-29	1	Nut-Lock, NI				
19	329-6	1	Screw-HH				



Exhaust Assembly

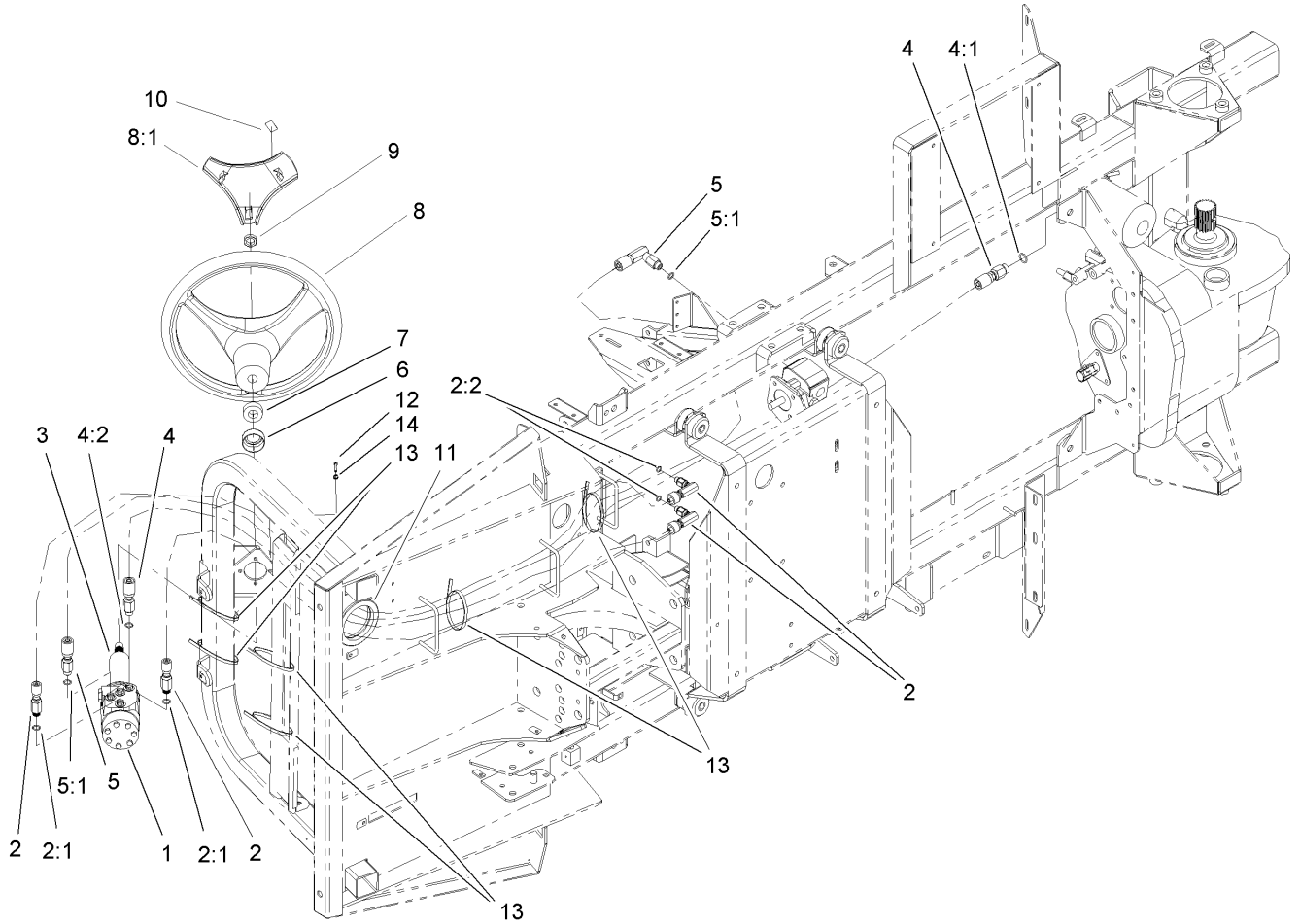
Ref	Part No.	Qty.	Description
1	2112-11	2	Clamp-Muffler
2	100-8292	1	Muffler Tailpipe ASM
3	3234-5	4	Screw
4	356303	2	Washer
5	100-8526	1	Hanger-Muffler
6	100-8409-03	1	Shield-Exhaust Lower
7	3234-26	10	Screw
8	100-8291	1	Header-Pipe ASM
9	100-7028-03	1	Shield-Upper Heat
10	100-7029-03	1	Shield Mid Heat ASM
11	33103-012	1	Screw-HHF
12	32128-20	4	Nut-HF
13	100-8527	1	Support Header
14	2112-9	1	Clamp
14:1	32128-20	2	Nut-HF
15	3255-7	1	Washer-Lock/ext
16	32128-33	2	Nut-HF
17	3234-4	2	Screw-HHF
18	2412-134	1	R-Clamp
19	32128-33	1	Nut-HF



Electrical Panel Assembly

Ref	Part No.	Qty.	Description
1	32105-13	4	Screw-SHH
2	42863	1	Strip-Jumper
3	42862	1	Block-Terminal, Ground
4	3217-26	4	Nut-Hex
5	100-8441-03	1	Panel-Electrical
6	3234-5	1	Screw
7	32144-70	3	Screw-HH
8	100-7025-03	1	Shield Front Heat ASM
9	100-7027	1	Trim
11	3253-17	4	Washer-Lock/sp
12	99-3703	1	Module-Cruise
13	92-0034	3	Boot-Terminal
14	32128-33	7	Nut-HF
15	94-7079	1	Solenoid-Accessory
16	321-3	7	Screw-HH
17	70-1480	5	Relay
18	3219-14	1	Nut-Hex
19	3219-2	2	Nut-Hex
20	3255-8	2	Washer-Lock
21	106-5114	1	Harness-Wire, Main Vehicle
22	3234-26	3	Screw
23	104-8937	1	Harness-Wire, Spray System
24	104-9054	3	Holder-Fuse
25	3290-379	3	Tie-Cable

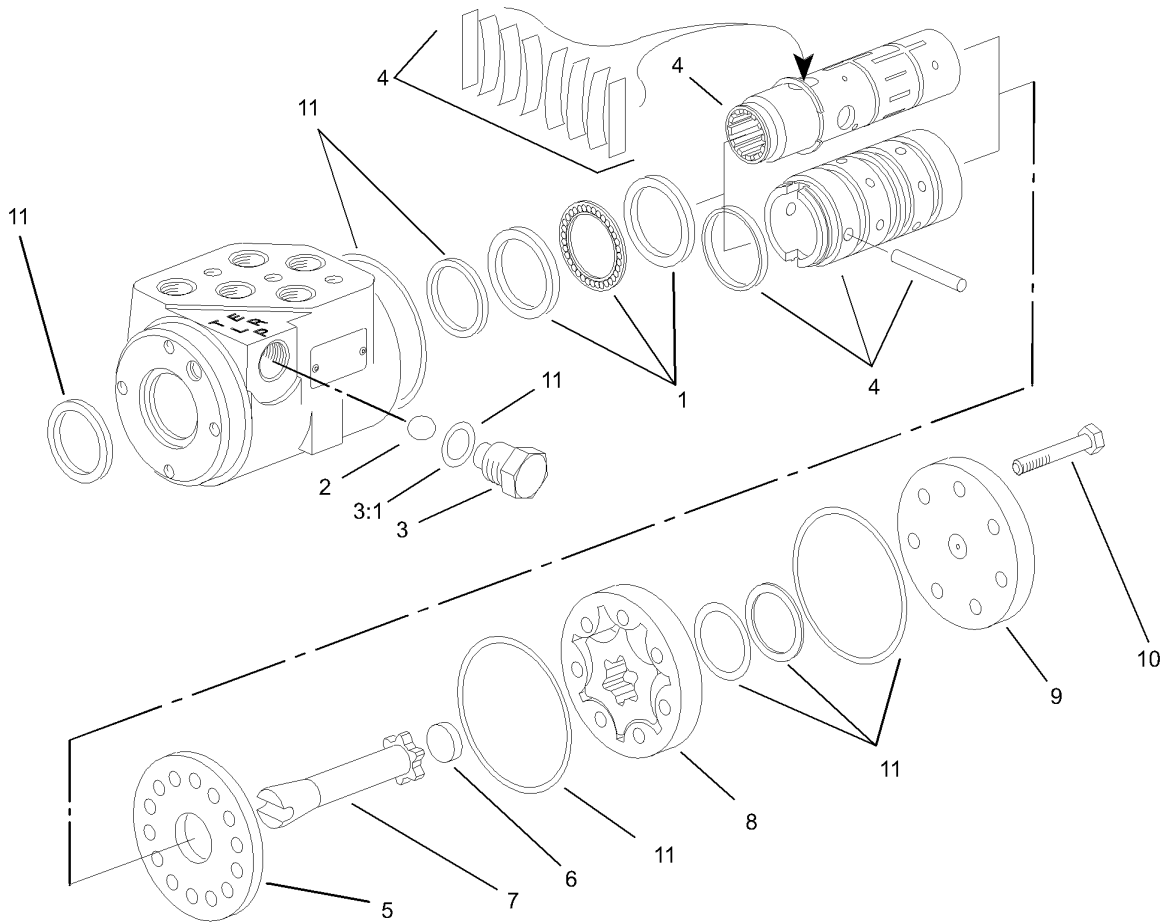
--	--	--	--	--



Hydraulic Hose Routing Assembly

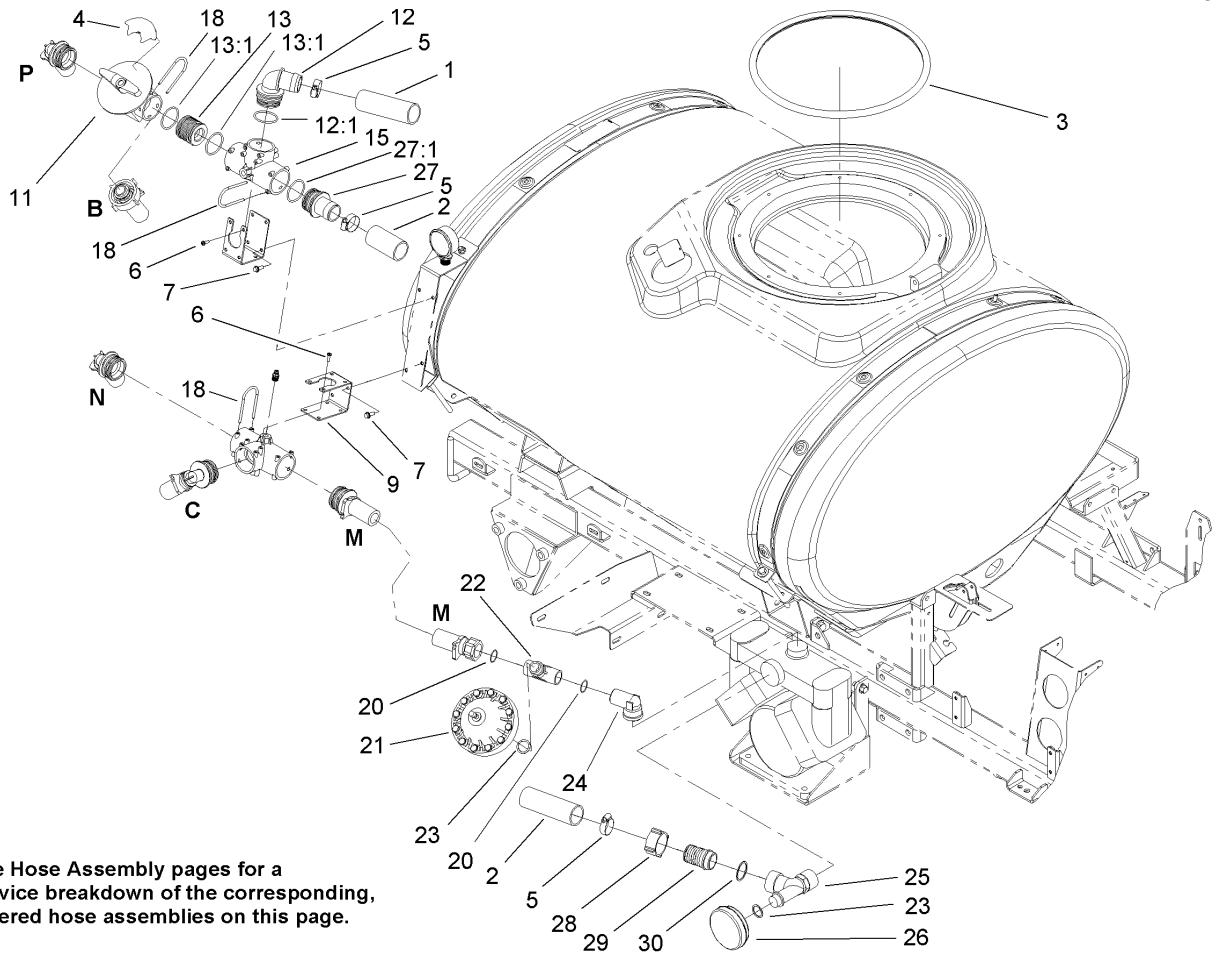
Ref	Part No.	Qty.	Description
1	92-3502	1	Steering Control ASM
2	100-8252	2	Hose ASM
2:1	237-78	1	O-Ring
2:2	237-42	1	O-Ring
3	94-8792	1	Column-Steering
4	100-8253	1	Hose ASM
4:1	237-42	1	O-Ring
4:2	237-79	1	O-Ring
5	100-8251	1	Hose ASM
5:1	237-42	2	O-Ring
6	93-5439	1	Seal-Steering
7	21-9260	1	Cover-Dust
8	98-1471	1	Wheel-Steering
8:1	98-1468	1	Cover-Wheel, Steering
9	92-3513	1	Nut
10	98-1459	1	Decal
11	237-102	1	Grommet
12	32105-9	4	Screw
13	3290-379	6	Tie-Cable
14	3253-18	4	Washer-Lock/sp

--	--	--	--



Steering Control Assembly No. 92-3502

Ref	Part No.	Qty.	Description
1	92-3839	1	Bearing Kit
2	92-3842	1	Ball
3	92-3841	1	Plug/o-Ring
3:1		1	O-Ring
4	94-4095	1	Centering Spring Kit
5	92-3843	1	Plate-Wear
6	92-3845	1	Spacer
7	92-3844	1	Drive
8	92-3846	1	Gerotor
9	92-3847	1	Cap-End
10	92-3848	7	Capscrew
11	92-3849	1	Seal Kit

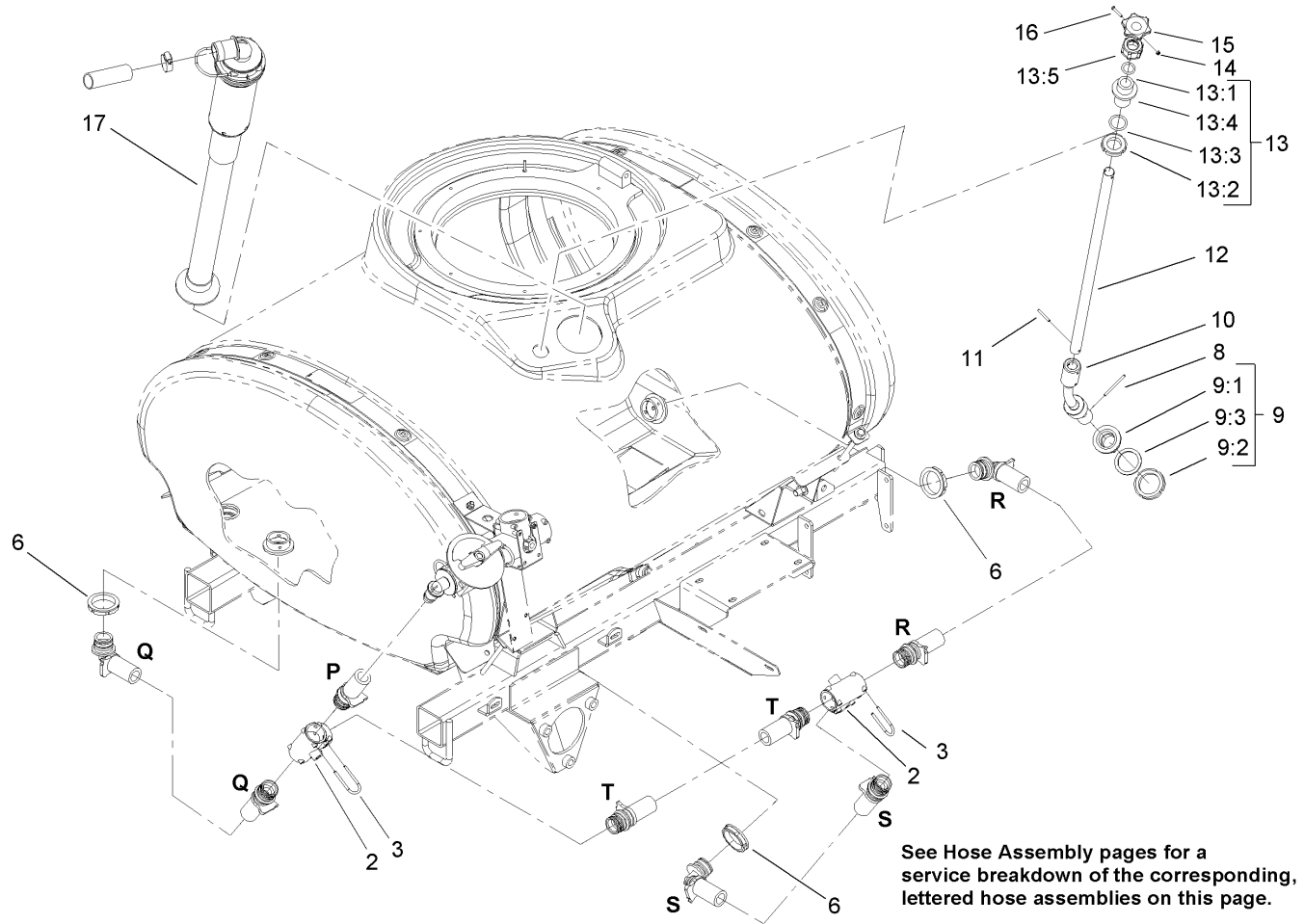


See Hose Assembly pages for a service breakdown of the corresponding, lettered hose assemblies on this page.

Sprayer Component Assembly

Ref	Part No.	Qty.	Description
1	100-8483	1	Hose-Suction
2	100-8484	1	Hose-Suction
3	104-9004	1	Seal-Strainer Basket
4	100-8577	1	Decal-Agitate Valve
5	41327	4	Clamp-Hose
6	32144-32	8	Screw
7	3234-4	4	Screw-HHF
9	100-8478	2	Bracket-Tee
11	100-8673	1	Agitation Valve ASM
12	106-4946	1	Hosebarb-90 DEG
12:1	100-8637	1	O-Ring
13	106-4947	1	Connector
13:1	100-8637	2	O-Ring
15	100-6704	2	Tee
18	100-8635	8	Fork
20	100-6655	2	Gasket
21	100-6662	1	Damper-Pressure
22	100-8699	1	Tee
23	100-6656	2	O-Ring
24	100-8698	1	Elbow
25	100-8681	1	Tee
26	100-6660	1	Suction Damper ASM
27	106-4936	1	Hosebarb
27:1	100-8637	1	O-Ring

Ref	Part No.	Qty.	Description
28	100-8678	1	Nut
29	100-8679	1	Hosebarb
30	100-8680	1	Seal

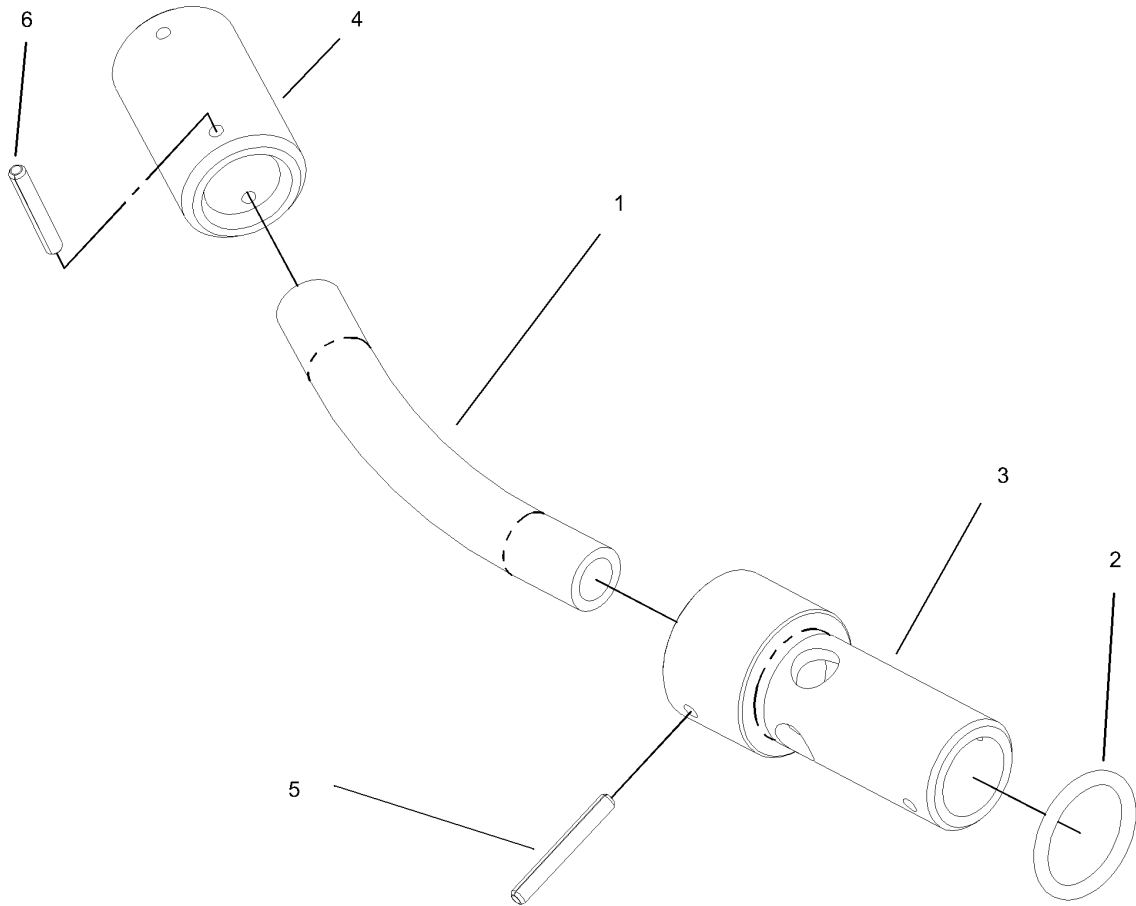


See Hose Assembly pages for a service breakdown of the corresponding, lettered hose assemblies on this page.

Sprayer Component Assembly No. 2

Ref	Part No.	Qty.	Description
2	104-9041	2	Tee
3	100-6708	6	Tee Fitting
6	100-6713	3	Nut-Bulkhead
8	100-8663	1	Pin
⑨		1	Lower Bulkhead Fitting ASM
9:1	99-0761	1	Ringnut
9:2	100-8664	1	Fitting-Bulkhead
9:3	100-8659	1	Gasket
⑩		1	Drain Screw ASM
11	100-8661	1	Pin-Expansion
12	106-4899	1	Tube-Control, Drain
⑬		1	Upper Bulkhead Fitting ASM
13:1	100-6643	1	O-Ring
13:2	99-0758	1	Nut
13:3	100-6658	1	Gasket
13:4	106-1240	1	Bulkhead
13:5	106-1241	1	Nut-Special
14	104-9047	1	Nut
15	106-4880	1	Handle-Drain
16	104-9046	1	Bolt
⑰		1	Top Mounted Suction ASM

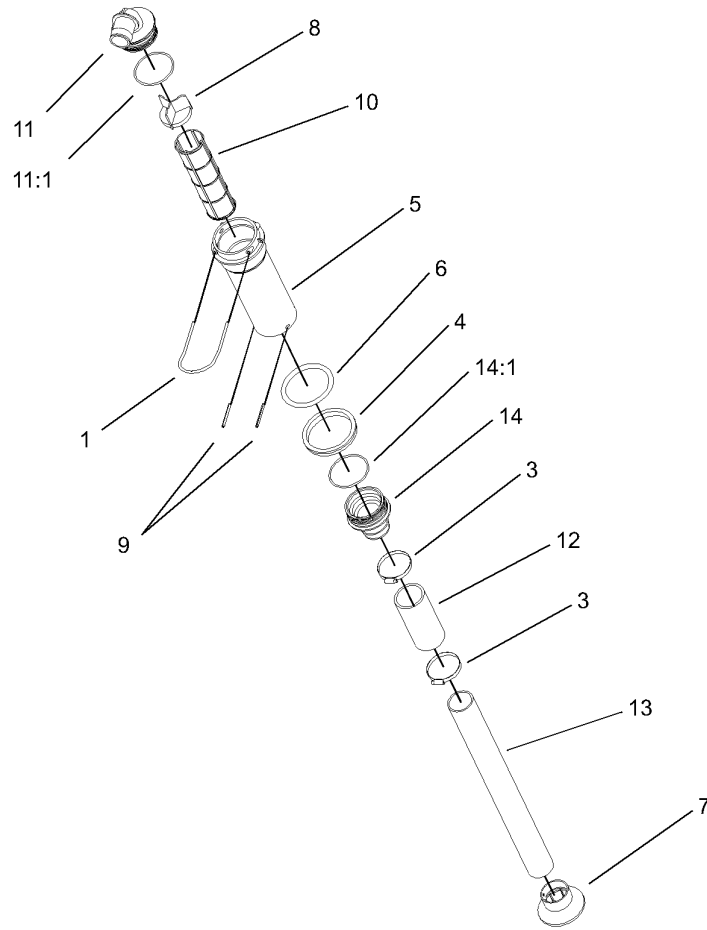
--	--	--	--



Drain Screw Assembly

Ref	Part No.	Qty.	Description
1	100-8658	1	Tube-Hi Flex
2	100-6658	1	Gasket
3	100-8662	1	Screw-Drain
4	100-8657	1	Connector-Tube, Hose
5	100-8660	1	Pin-Expansion
6	100-8661	1	Pin-Expansion

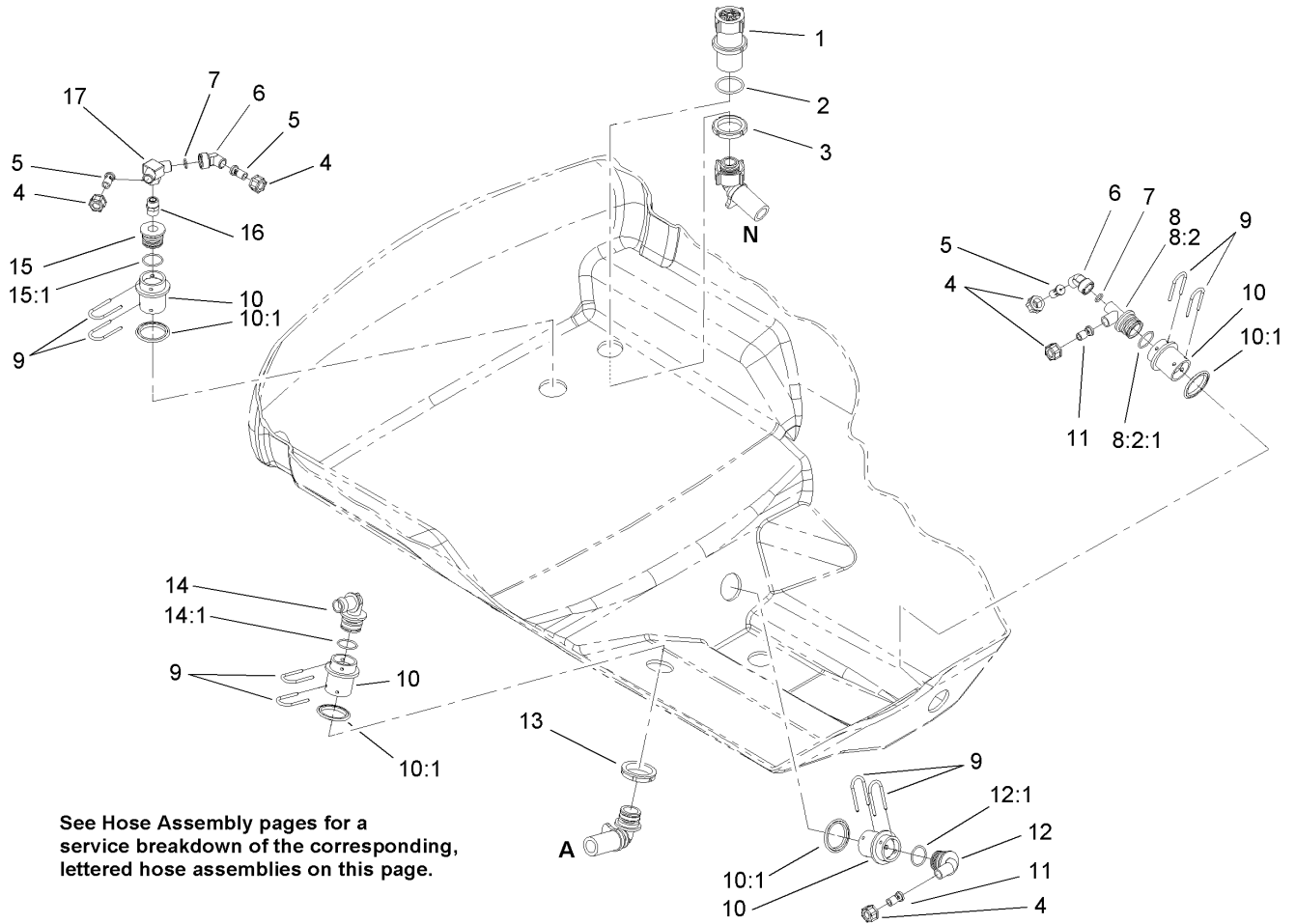
--	--	--	--



Top Mounted Suction Assembly

Ref	Part No.	Qty.	Description
1	100-8636	1	Fork-Special
3	26392	2	Clamp-Hose
4	100-8647	1	Nut-Bulkhead
5	100-8643	1	Housing-Filter
6	100-8646	1	Gasket-Bulkhead
7	100-6714	1	Foot-Suction Tube
8	100-8641	1	Vane-Screen
9	100-8644	2	Pin-Expansion
10	100-8642	1	Screen-Suction, Mesh 50
11	106-4952	1	Hosebarb-90 DEG
11:1	100-6989	1	O-Ring
12	100-8649	1	Hose-Suction
13	100-6990	1	Tube-Suction
14	106-4942	1	Hosebarb-Straight
14:1	100-8640	1	O-Ring

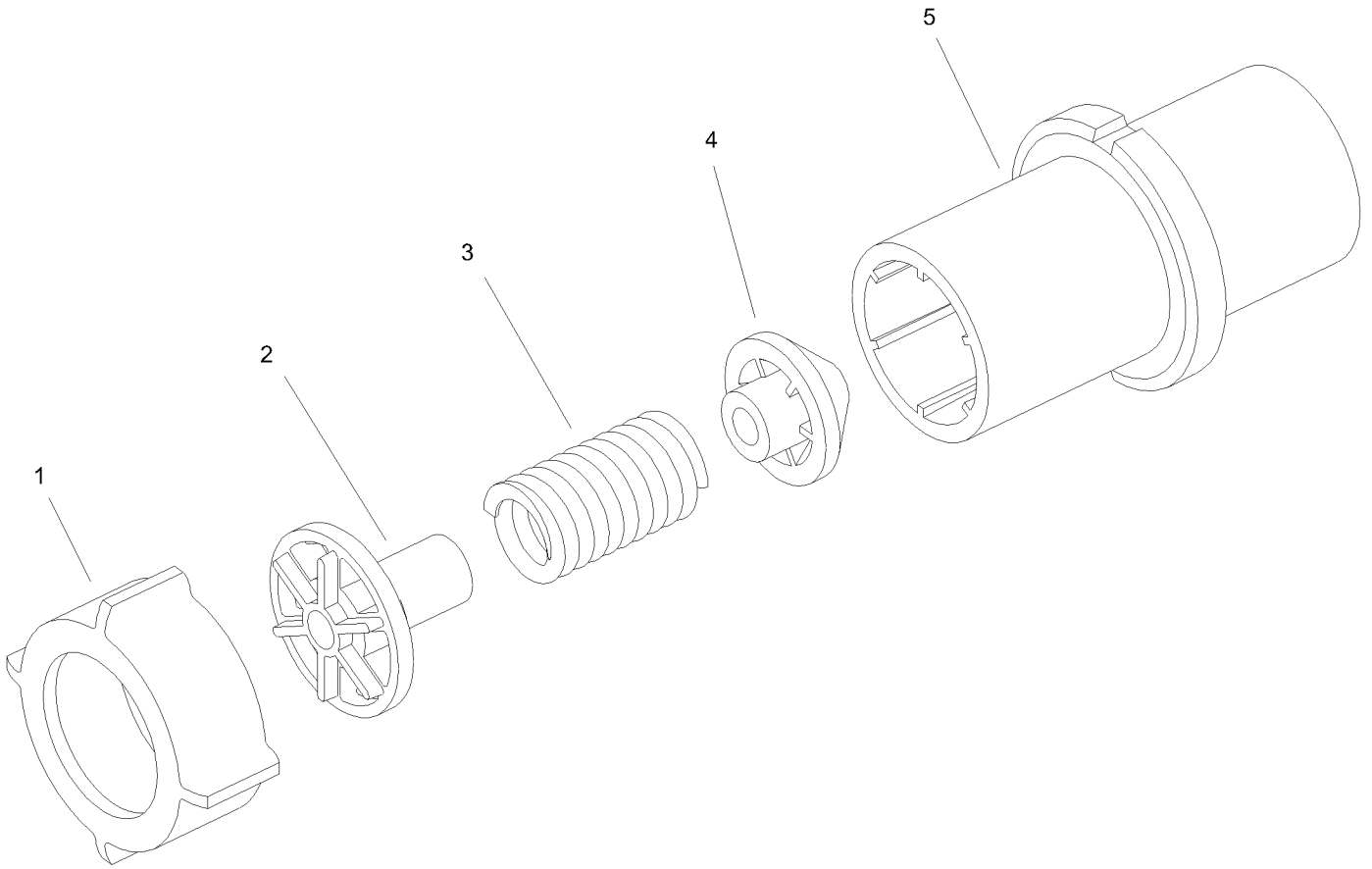
--	--	--	--



See Hose Assembly pages for a service breakdown of the corresponding, lettered hose assemblies on this page.

Sprayer Component Assembly No. 3

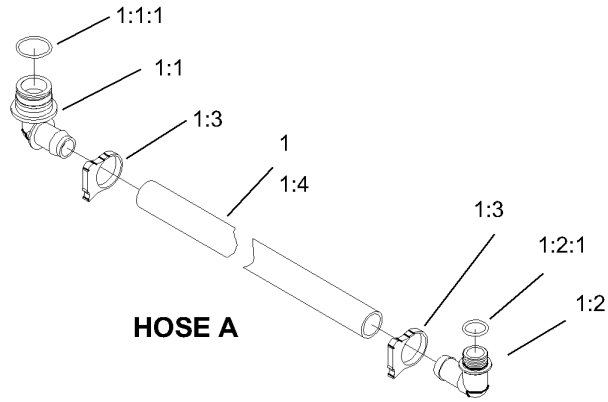
Ref	Part No.	Qty.	Description
1	100-6820	1	Valve-Safety, 225 Psi
2	100-6652	1	Gasket
3	99-0761	1	Ringnut
4	99-0766	5	Nut
5	100-6705	3	Nozzle-Agitation
6	99-0768	2	Elbow-60 DEG
7	100-6653	2	O-Ring
8	100-6707	1	Tee
8:2		1	Adapter ASM
8:2:1	100-6712	1	O-Ring
9	100-6708	8	Tee Fitting
10	106-4896	4	Fitting-Bulkhead
10:1	100-6710	1	Gasket-Bulkhead
11	100-6706	2	Nozzle-Agitation
12	106-4944	1	Fitting-90 DEG
12:1	100-6712	1	O-Ring
13	100-6713	1	Nut-Bulkhead
14	106-4945	1	Elbow
14:1	100-6712	1	O-Ring
15	106-4943	1	Adapter ASM
15:1	100-6712	1	O-Ring
16	100-6722	1	Nipple
17	100-6723	1	Tee



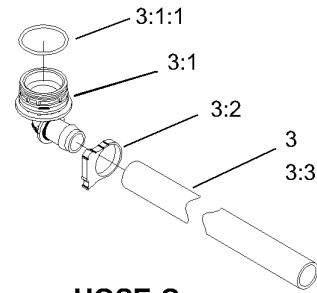
Safety Valve Assembly No. 100-6820

Ref	Part No.	Qty.	Description
1	100-8678	1	Nut
2	100-6724	1	Valve-Relief, Seat
3	100-6725	1	Spring-Relief Valve
4	100-6726	1	Cone-Relief Valve
5	100-6727	1	Housing-Relief Valve

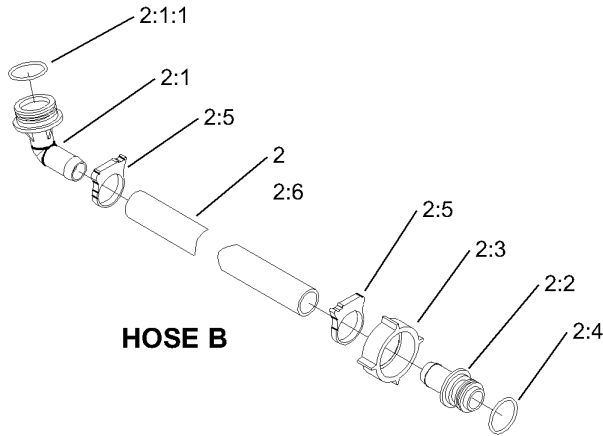
--	--	--	--



HOSE A



HOSE C

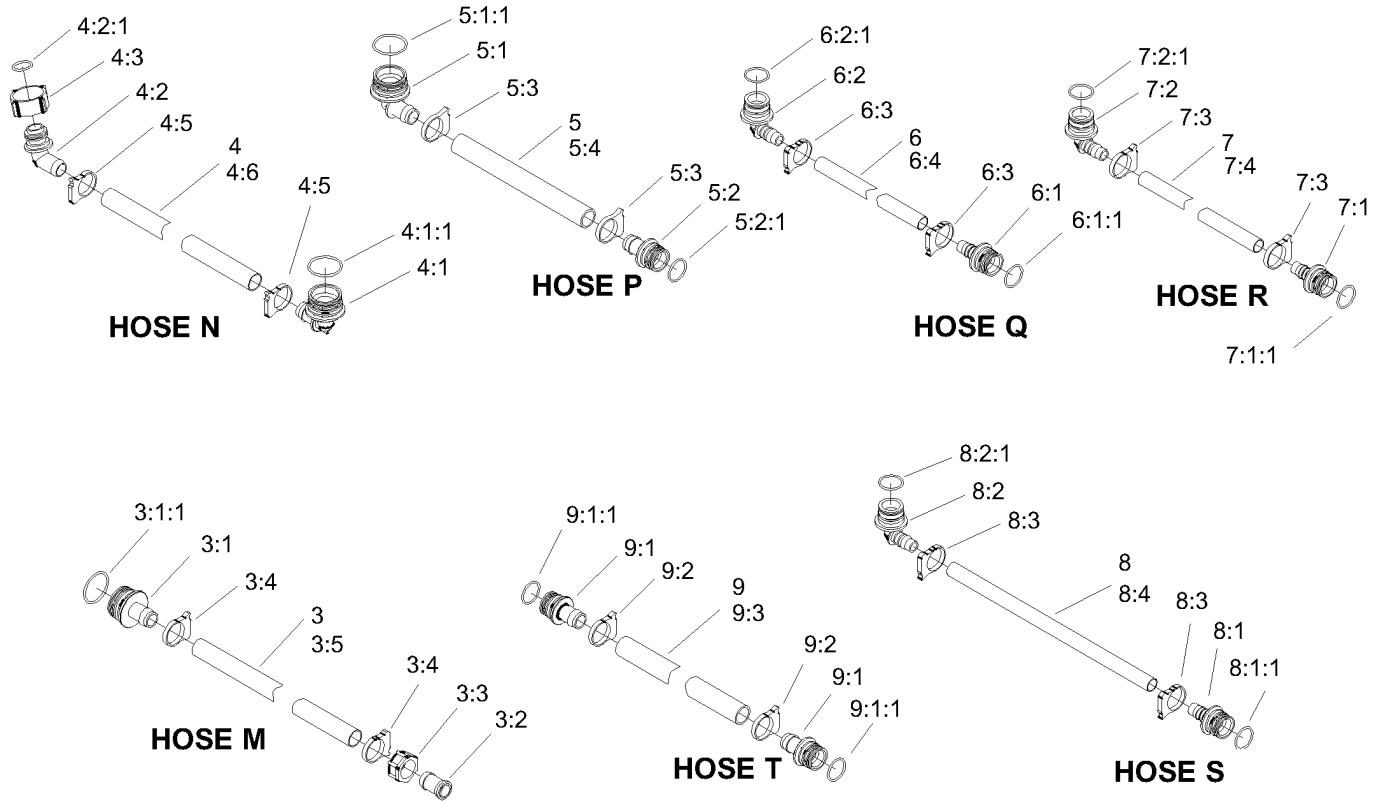


HOSE B

Hose Assemblies No. 1

Ref	Part No.	Qty.	Description
②1		1	Boom Bypass Hose ASM
1:1	106-4945	1	Elbow
1:1:1	100-6712	1	O-Ring
1:2	106-4948	1	Hose Barb ASM
1:2:1	100-6882	1	O-Ring
1:3	99-0782	2	Clamp-Hose
1:4	104-9037	1	Hose-Boom Bypass
②2		1	Agitation Supply Hose ASM
2:1	106-4950	1	Hose Barb ASM
2:1:1	100-8671	1	O-Ring
2:2	100-8670	1	Hosebarb
2:3	100-8669	1	Nut
2:4	100-8671	1	O-Ring
2:5	99-0782	2	Clamp-Hose
2:6	104-8711	1	Hose
②3		1	Tee-Controls Hose ASM
3:1	106-4933	1	Hosebarb ASM
3:1:1	100-8637	1	O-Ring
3:2	99-0782	1	Clamp-Hose
3:3	104-8713	1	Hose

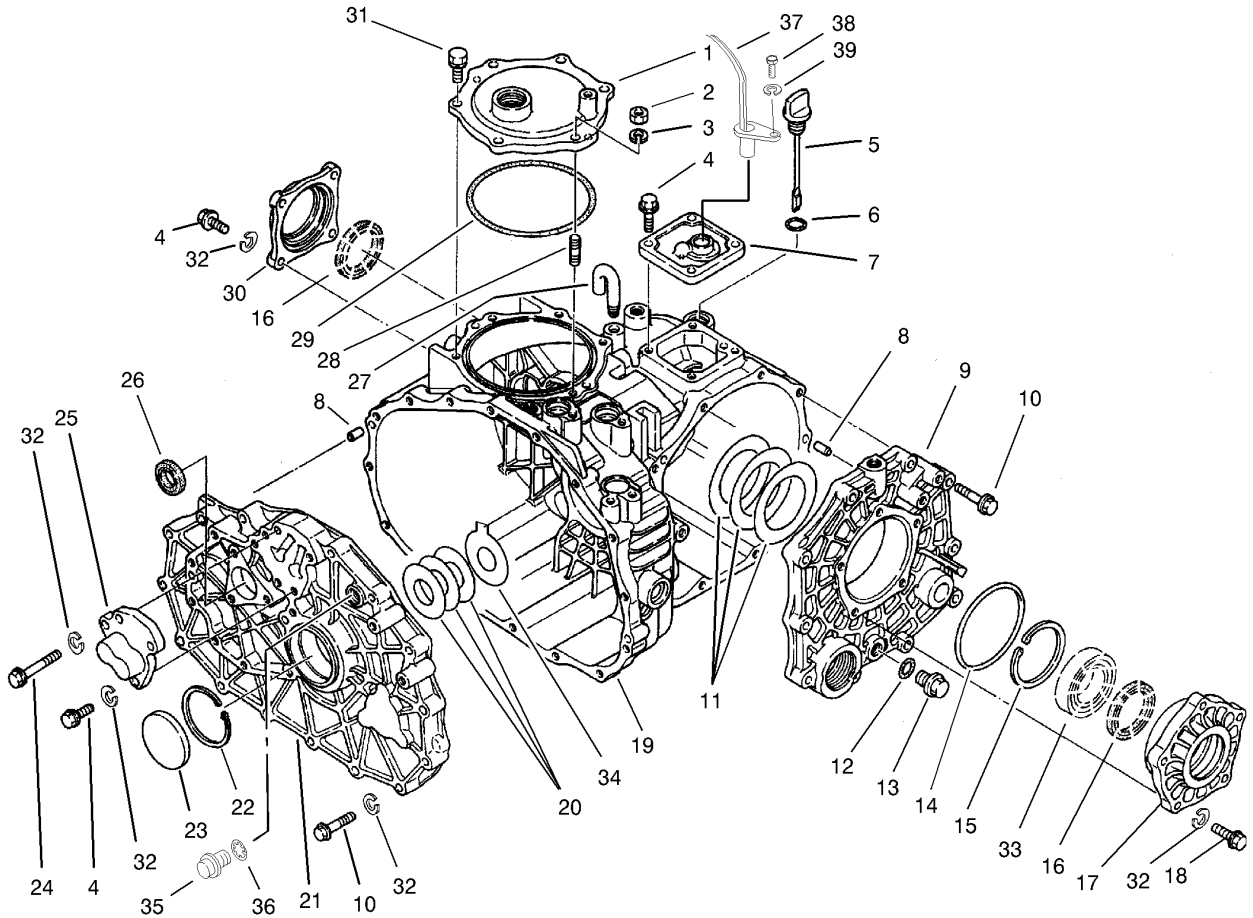
--	--	--	--



Hose Assemblies No. 2

Ref	Part No.	Qty.	Description
23		1	Manifold Tee Hose ASM
3:1	106-4932	1	Hosebarb-Straight
3:1:1	100-8637	1	O-Ring
3:2	99-0781	1	Hosebarb
3:3	99-0769	1	Nut
3:4	99-0782	2	Clamp-Hose
3:5	104-8712	1	Hose
24		1	Relief Valve Hose ASM
4:1	106-4933	1	Hosebarb ASM
4:1:1	100-8637	1	O-Ring
4:2	106-4949	1	Hosebarb-110 DEG
4:2:1	100-6646	1	O-Ring
4:3	100-8678	1	Nut
4:5	99-0782	2	Clamp-Hose
4:6	104-8710	1	Hose
25		1	Agitation Valve Hose ASM
5:1	106-4933	1	Hosebarb ASM
5:1:1	100-8637	1	O-Ring
5:2	106-4935	1	Hosebarb ASM
5:2:1	100-6712	1	O-Ring
5:3	99-0782	2	Clamp-Hose
5:4	104-8908	1	Hose-Bypass
26		1	Rear Agitation Hose ASM
6:1	106-4939	1	Hosebarb-Straight

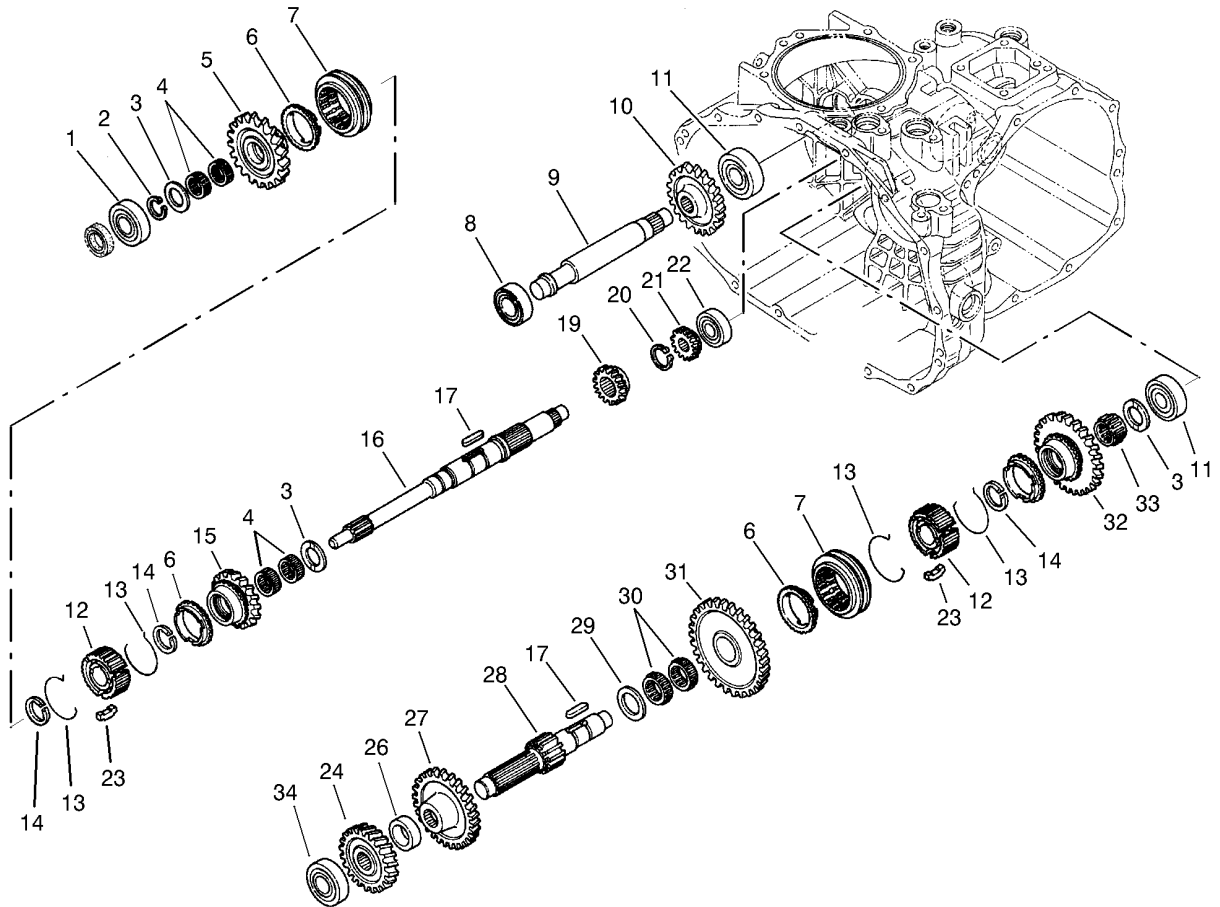
Ref	Part No.	Qty.	Description
6:1:1	100-6712	1	O-Ring
6:2	106-4940	1	Hosebarb-90 DEG
6:2:1	100-6712	1	O-Ring
6:3	99-0755	2	Clamp-Hose
6:4	104-9043	1	Hose-Rear Agitation
27		1	Front Agitation Hose ASM
7:1	106-4939	1	Hosebarb-Straight
7:1:1	100-6712	1	O-Ring
7:2	106-4940	1	Hosebarb-90 DEG
7:2:1	100-6712	1	O-Ring
7:3	99-0755	2	Clamp-Hose
7:4	104-8706	1	Hose
28		1	Middle Agitation Hose ASM
8:1	106-4939	1	Hosebarb-Straight
8:1:1	100-6712	1	O-Ring
8:2	106-4940	1	Hosebarb-90 DEG
8:2:1	100-6712	1	O-Ring
8:3	99-0755	2	Clamp-Hose
8:4	104-8704	1	Hose
29		1	Agitation Tee Hose ASM
9:1	106-4935	2	Hosebarb ASM
9:1:1	100-6712	1	O-Ring
9:2	99-0782	2	Clamp-Hose
9:3	104-9039	1	Hose-Agitation Tee



Transaxle Case Assembly Transaxle Assembly No. 104-9078

Ref	Part No.	Qty.	Description
1	100-8595	1	Cover-PTO
2	48-7930	1	Nut
3	92-0762	1	Washer-Spring
4	33114-025	11	Screw-HH
5	92-0662	1	Cap-Oil
6	92-0788	1	O-Ring
7	92-0810	1	Cover-Upper, Sensor
8	92-0765	4	Pin-Parallel
9	92-0653	1	Cover-Side
10	33114-040	25	Screw-HH
11	92-0809	1	Set-Shim
12	92-0787	1	O-Ring
13	92-0773	1	Plug-Drain
14	92-0789	1	O-Ring
15	92-0760	1	Ring-Snap
16	92-0793	2	Seal-Oil
17	92-0654	1	Carrier-Differential
18	48-7730	5	Bolt
19	92-0651	1	Case-Transmission
20	100-4460	1	Shim Set
21	100-4461	1	Plate-Center
22	92-0759	1	Ring-Snap
23	92-0807	1	Cap-Sealing
24	48-7560	1	Bolt-HH

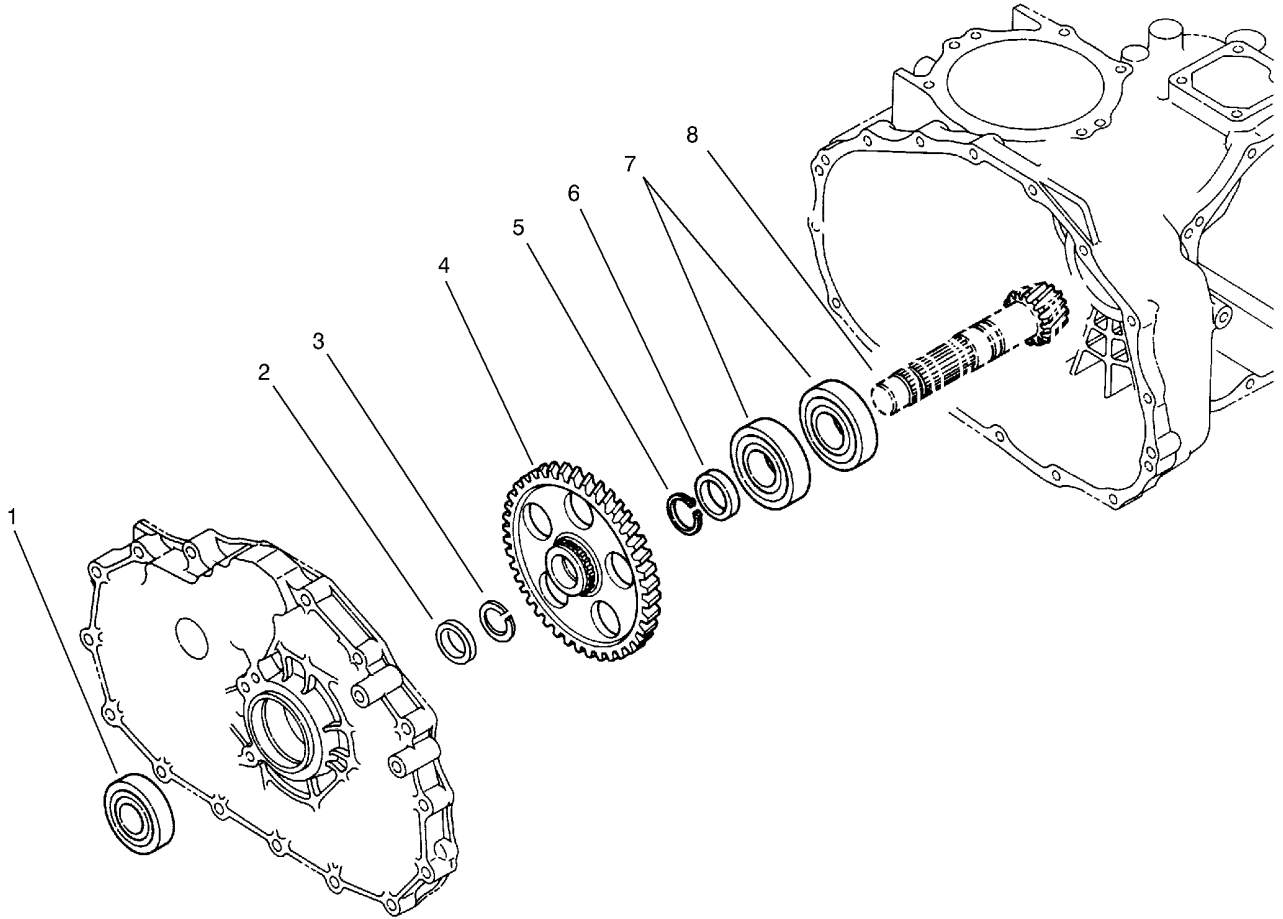
Ref	Part No.	Qty.	Description
25	92-0706	1	Shaft-Fork
26	92-0791	1	Seal-Oil
27	92-0743	1	Breather-Air
28	92-0804	1	Stud
29	92-0790	1	O-Ring
30	92-0655	1	Cover-Seal, Axle
31	92-0796	5	Bolt
32	3253-4	42	Washer-Lock
33	92-0775	2	Bearing
34	100-4465	1	Shim (W/tab)
35	100-6924	1	Plug
36	100-6925	1	Packing
37	85-4350	1	Sensor-Geartooth
38	48-7610	1	Bolt
39	48-8020	1	Washer-Spring
●99	100-6928	1	Bolt
●99	100-8594	1	Cover-Input Shaft



Transaxle Gear Shaft Assembly Transaxle Assembly No. 104-9078

Ref	Part No.	Qty.	Description
1	251-8	1	Bearing-Ball
2	92-0753	1	Ring-Snap
3	92-0740	3	Washer-Thrust
4	92-0781	4	Bearing-Needle
5	100-8597	1	Gear-Main, 36 Tooth
6	92-0667	3	Ring-Synchro
7	92-0668	2	Shifter-Synchro
8	251-346	2	Bearing-Ball
9	100-8602	1	Shaft-Idler, Rev
10	92-0684	1	Gear-Reverse, 33 Tooth
11	92-0778	2	Bearing
12	92-0664	2	Hub-Synchro
13	92-0666	4	Spring-Synchro
14	92-0763	3	Ring-Snap
15	100-8598	1	Gear-Main, 20 Tooth
16	100-8596	1	Shaft-Main
17	92-0772	2	Key
19	92-0671	1	Gear-Main, 22 Tooth
20	92-0754	1	Ring-Snap
21	92-0673	1	Gear-Main, 14 Tooth
22	92-0650	1	Bearing
23	92-0665	6	Key-Synchro
24	92-0676	1	Gear-Reduction, 32 Tooth
26	100-8601	1	Collar

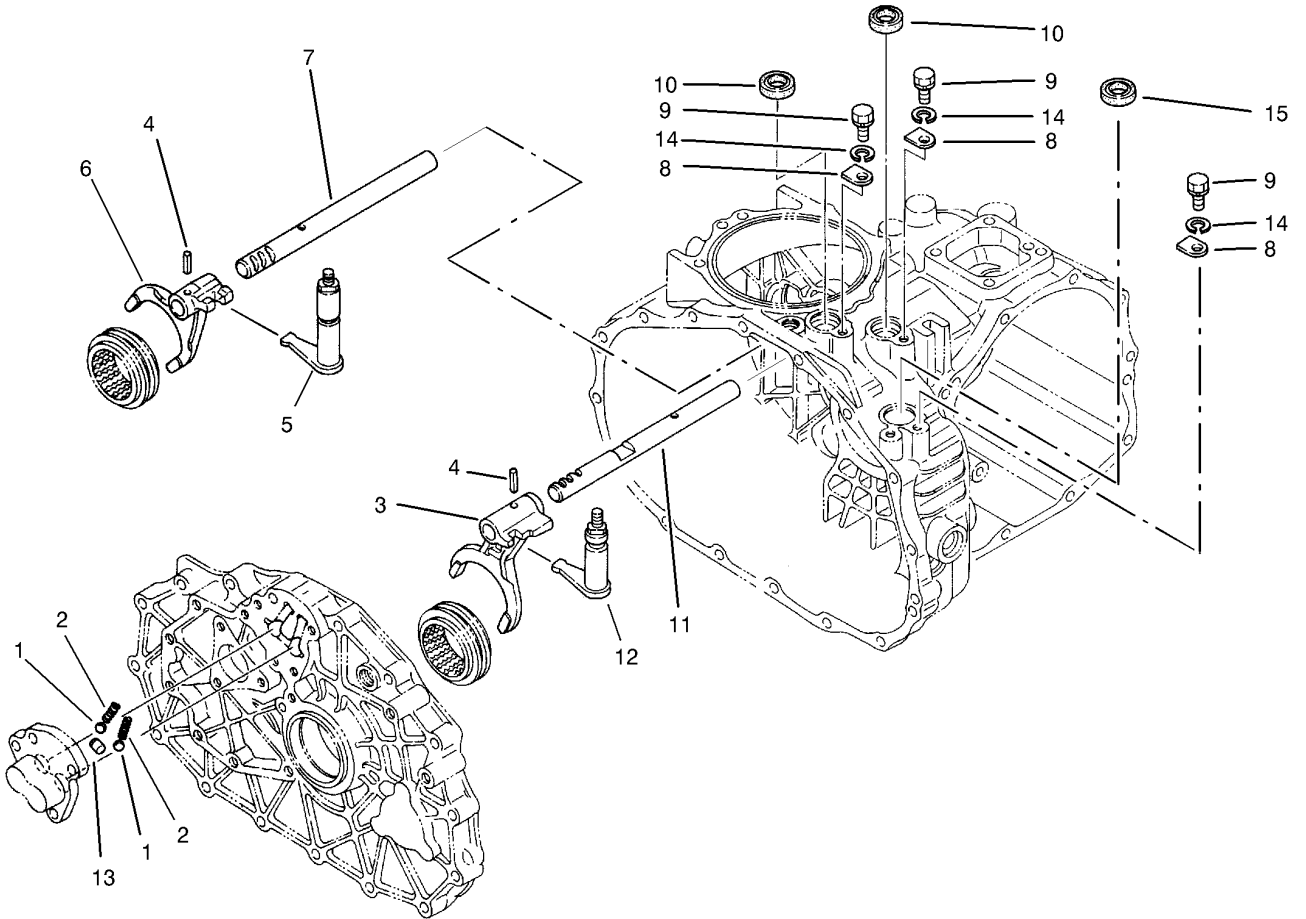
Ref	Part No.	Qty.	Description
27	92-0819	1	Gear-Reduction, 40 Tooth
28	92-0674	1	Shaft-Reduction
29	92-0682	1	Washer-Thrust
30	92-0681	2	Bearing-Needle
31	100-8599	1	Gear-Red, 25 Tooth
32	100-8600	1	Gear-Red, 47 Tooth
33	92-0782	1	Bearing-Needle
34	105-7985	1	Bearing



Countershaft Assembly Transaxle Assembly No. 104-9078

Ref	Part No.	Qty.	Description
1	92-0712	1	Bearing-Ball
2	92-0716	1	Collar
3	92-0764	1	Ring-Snap
4	100-8603	1	Gear-Count
5	92-0755	1	Ring-Snap
6	92-0713	1	Collar
7	92-0714	2	Bearing
8	92-0710	1	Gear-Ring

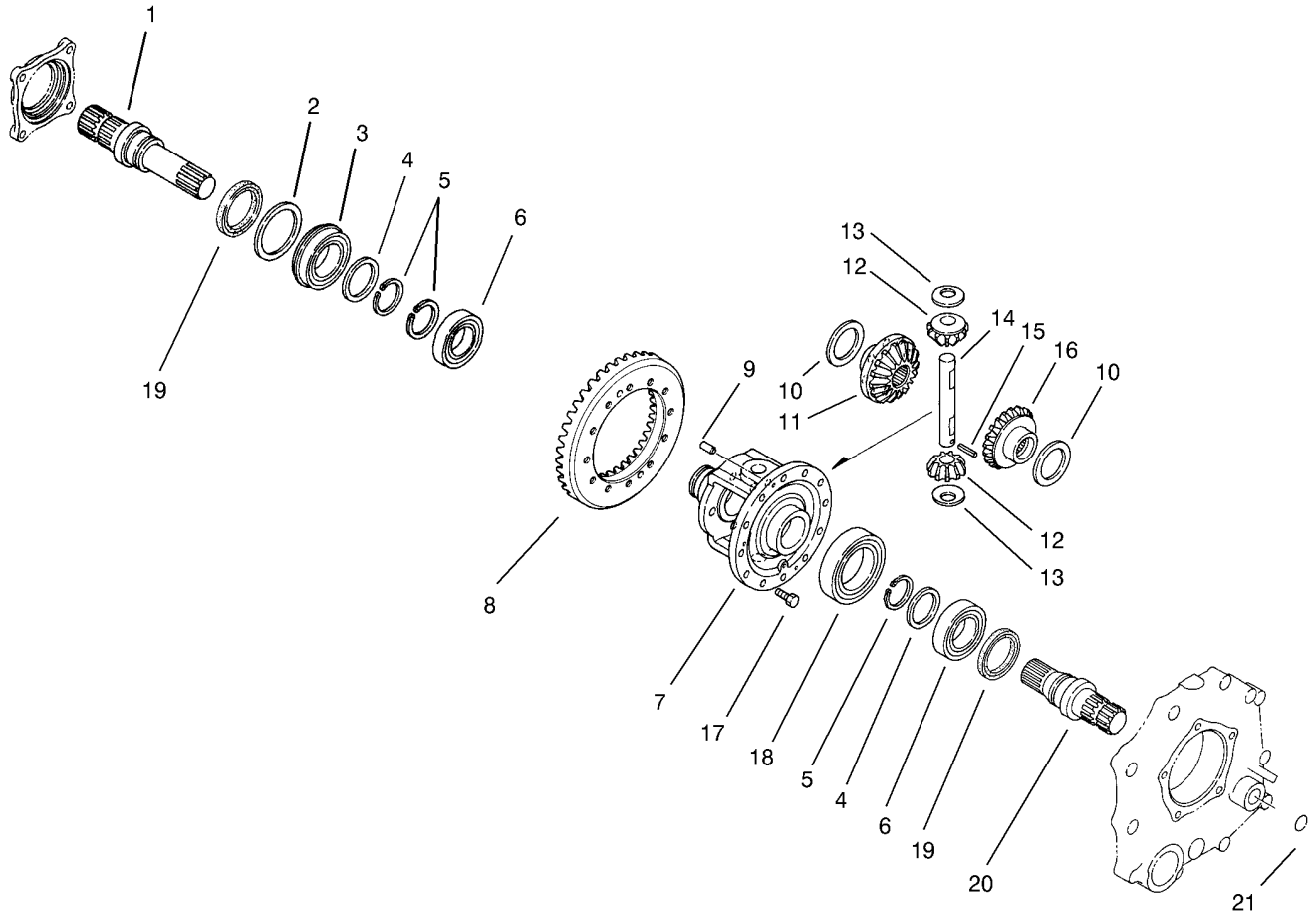
--	--	--	--



Shift Fork Assembly Transaxle Assembly No. 104-9078

Ref	Part No.	Qty.	Description
1	92-0785	3	Ball-Steel
2	92-0731	3	Spring
3	92-0700	1	Fork-Shift
4	92-0769	2	Pin-Roll
5	92-0817	1	Arm-Shift
6	92-0701	1	Fork-Shift
7	92-0699	1	Shaft-Fork
8	92-0732	3	Plate-Keeper
9	33114-016	3	Screw-HH
10	92-0729	3	Seal-Oil
11	92-0698	1	Shaft-Fork
12	92-0816	1	Arm-Shift
13	92-0705	1	Lock-Spindle
14	3253-4	3	Washer-Lock
15	100-6927	1	Cap-Sealing

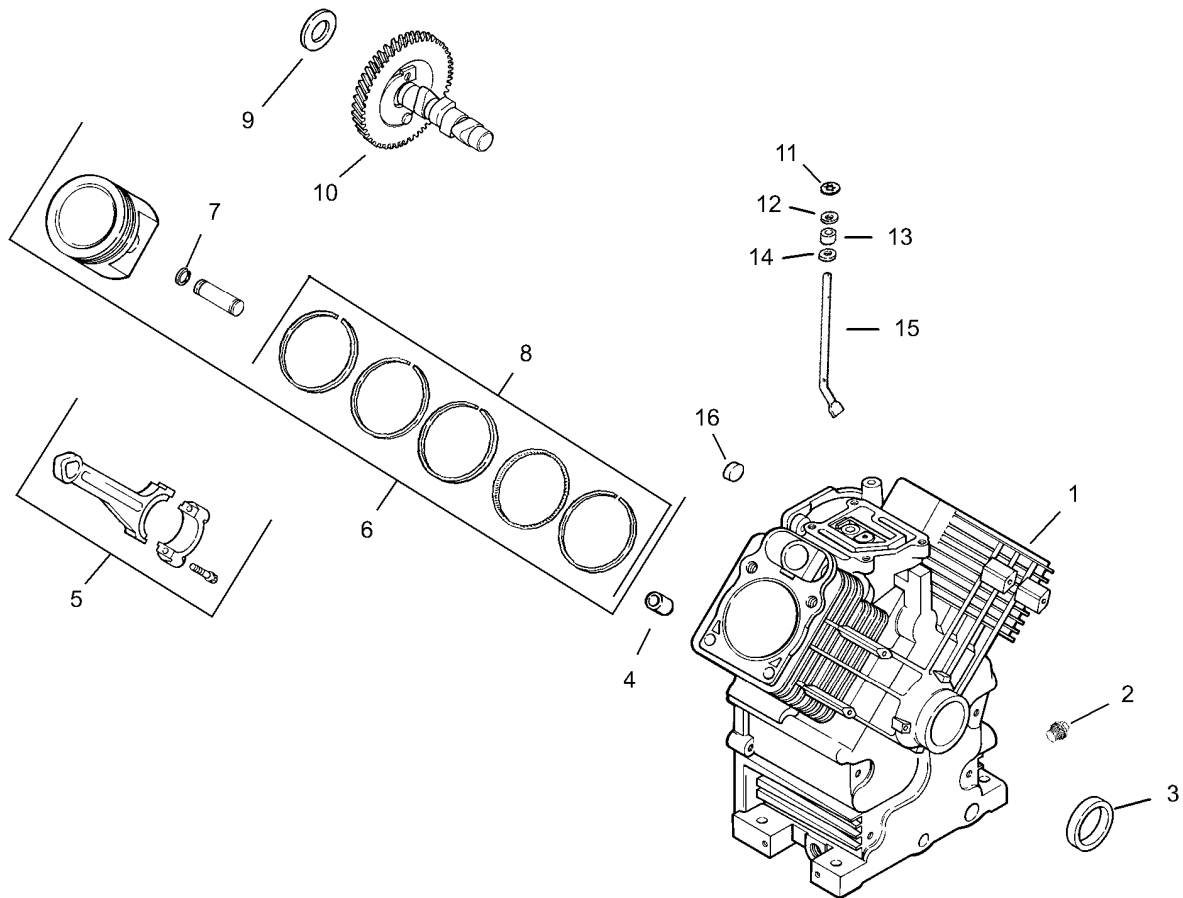
--	--	--	--



Differential Gear Assembly Transaxle No. 104-9078

Ref	Part No.	Qty.	Description
1	92-0726	1	Shaft-Axle, Right
2	92-0728	1	Washer
3	92-0780	1	Bearing
4	92-0727	2	Washer
5	92-0756	3	Ring-Snap
6	92-0775	2	Bearing
7	92-0720	1	Case-Differential
8	92-0710	1	Gear-Ring
9	92-0765	2	Pin-Parallel
10	92-0747	2	Side-Gear, Left Inner
11	92-0746	1	Gear-Side, RH
12	92-0748	2	Pinion-Differential
13	92-0750	2	Washer
14	92-0749	1	Shaft-Pinion
15	92-0768	2	Pin-Roll, Spring
16	92-0745	1	Gear-Side, LH
17	92-0803	12	Bolt
18	92-0776	1	Bearing
19	92-0793	2	Seal-Oil
20	92-0725	1	Shaft-Axle, Left
21	100-6926	1	Cap-Sealing

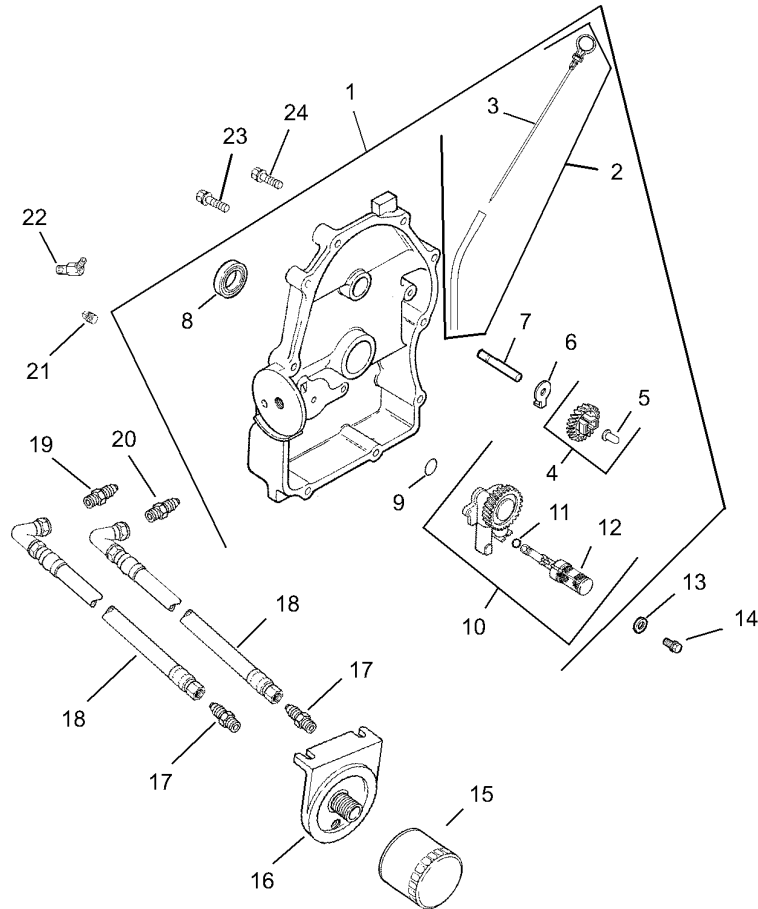
--	--	--	--



Crankcase Assembly Kohler CH20S-64647

Ref	Part No.	Qty.	Description
1		1	Cylinder Block (Use Miniblock 24 782 15)
2	25 139 57-S	2	Plug-SQH
3	24 032 01-S	1	Seal-Oil
4	24 380 13-S	6	Pin, Locating
5	24 067 13-S	2	Rod-Connecting (Std)
6	24 067 14-S	2	Rod-Connecting (.25)
6	24 874 17-S	2	Piston W/ring Set (Std.)(Includes 7,8)
6	24 874 14-S	2	Piston W/ring (.08)
6	24 874 18-S	2	Set-Piston W/ring(.25)
6	24 874 19-S	2	Set-Piston W/ring(.50)
7	24 018 01-S	4	Retainer-Piston Pin
8	24 108 11-S	2	Ring Set (Std.)
8	24 108 12-S	2	Ring Set (.25)
8	24 108 13-S	2	Set-Ring (.50)
9	12 422 09-S	0	Shim-Camshaft
9	12 422 13-S	0	Shim-Camshaft
9	12 422 07-S	0	Shim-Camshaft
9	12 422 08-S	0	Shim-Camshaft
9	12 422 10-S	0	Shim-Camshaft
9	12 422 11-S	0	Shim-Camshaft
9	12 422 12-S	0	Shim-Camshaft
10	24 012 10-S	1	Camshaft

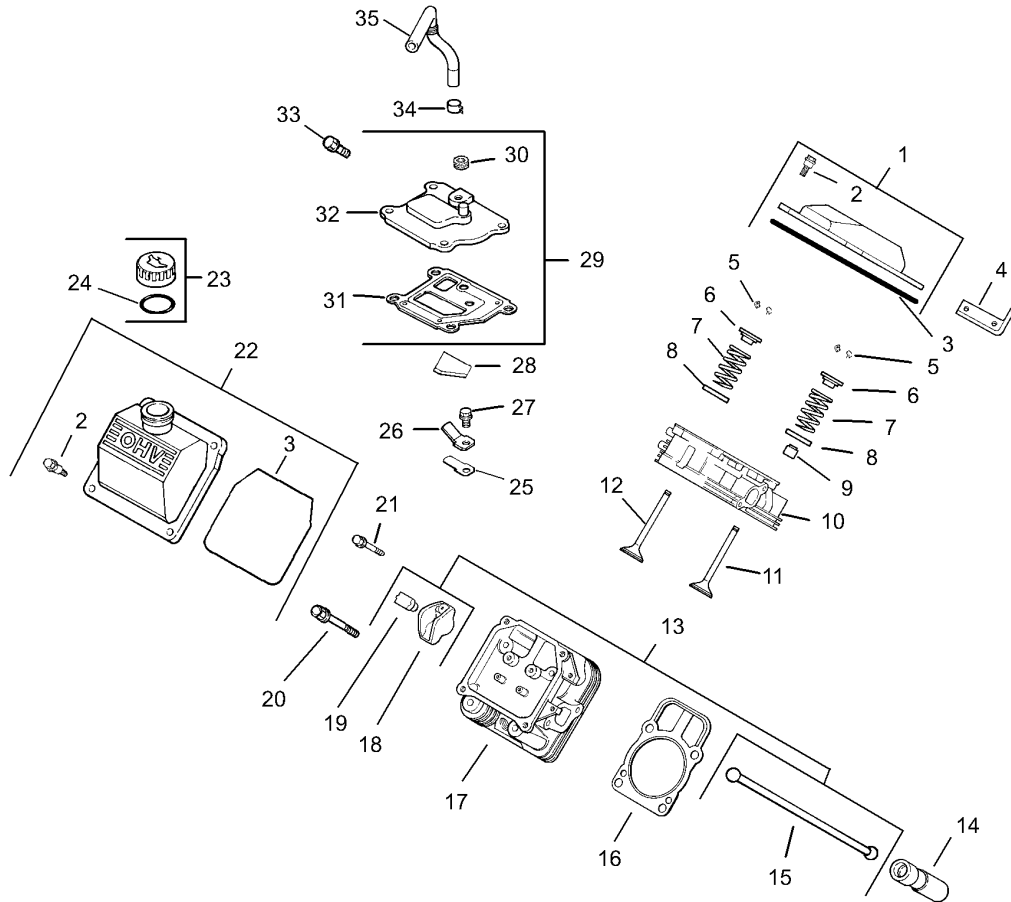
Ref	Part No.	Qty.	Description
11	24 018 09-S	1	Retainer-Ring
12	M-931010-S	1	Washer-Flat
13	28 032 09-S	1	Seal-Governor Cross
14	24 468 15-S	1	Washer
15	24 144 33-S	1	Shaft-Governor Shaft
16	52 139 09-S	1	Plug-Cup



Oil Pan / Lubrication Assembly Kohler CH20S-64647

Ref	Part No.	Qty.	Description
1	24 009 96-S	1	Plate, Closure Asm (Includes 2-12,19, 20, 22)
2	24 755 121-S	3	Kit, Dipstick W/tube (Includes 3)
3	24 038 10-S	1	Dipstick
4	24 043 12-S	5	Kit, Governor Gear (Includes 5)
5	12 380 01-S	1	Pin, Gvrn. Regulating
6	52 448 02-S	1	Tab-Locking
7	12 144 02-S	1	Shaft-Governor Gear
8	52 032 08-S	1	Seal-Oil
9	24 153 08-S	1	O-Ring
10	24 393 37-S	1	Oil Pump Assembly (Includes 11,12)
11	24 153 01-S	1	"o"ring
12	24 381 04-S	1	Pick-Up-Oil
13	M-631005-S	2	Washer-Flat
14	M-645025-S	2	Screw-HF
15	52 050 02-S	1	Filter-Oil
16	25 029 01-S	1	Adapter, Remote Oil Filter
17	52 155 03-S	2	Connector-Reducing
18	24 326 46-S	2	Hose, Oil
19	24 294 08-S	1	Fitting
20	24 294 09-S	1	Fitting
21	25 155 11-S	1	Connector 1/4-18 Npt,1/2-20 Sae 45° Maleflare
22	24 086 16-S	9	Screw

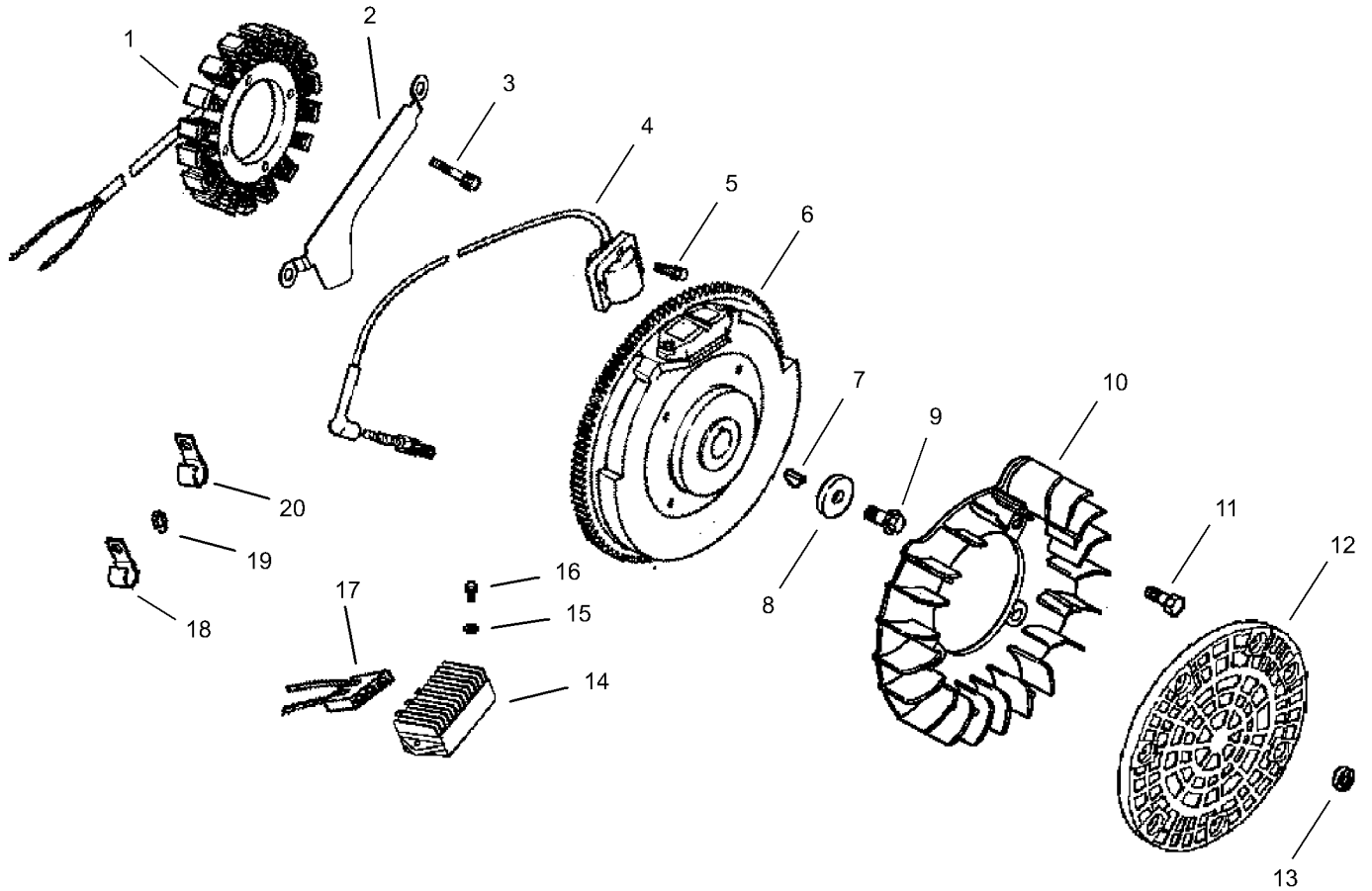
Ref	Part No.	Qty.	Description
23	24 086 17-S	1	Screw-HF
24	25 454 03-S	2	Tie



Head / Valve / Breather Assembly Kohler CH20S-64647

Ref	Part No.	Qty.	Description
①	24 755 74-S	1	Kit, Valve Cover-Plain (Includes 2,3)
②	24 086 32-S	4	Screw-Shoulder
③	24 153 23-S	1	O-Ring, Valve Cover
④	24 445 01-S	1	Strap-Lifting
⑤	12 755 03-S	4	Kit-Retainer
⑥	12 173 01-S	4	Cap-Valve Spring
⑦	24 089 02-S	4	Spring-Valve
⑧	235011-S	4	Retainer-Spring
⑨	66 032 05-S	2	Seal-Valve Stem
⑩	24 318 68-S	1	#1 Cylinder Head ASM
⑪	24 017 01-S	2	Valve-Intake (Std)
⑬	24 017 02-S	2	Valve-Intake (.25)
⑫	24 016 01-S	2	Valve-Exhaust (Std)
⑬	24 016 02-S	2	Valve-Exhaust (.25)
⑬	24 755 66-S	1	Kit, Valve Train (Includes 15,18,19)
⑮	25 351 01-S	4	Lifter-Valve
⑮	24 411 05-S	4	Rod-Push
⑮	24 041 08-S	2	Gasket-Cylinder Head
⑮	24 318 71-S	1	#2 Cylinder Head ASM
⑮	25 186 01-S	4	Arm-Rocker
⑮	24 599 01-S	4	Pivot-Rocker Arm
⑮	12 086 16-S	8	Screw
⑮	M-640034-S	4	Screw-HF

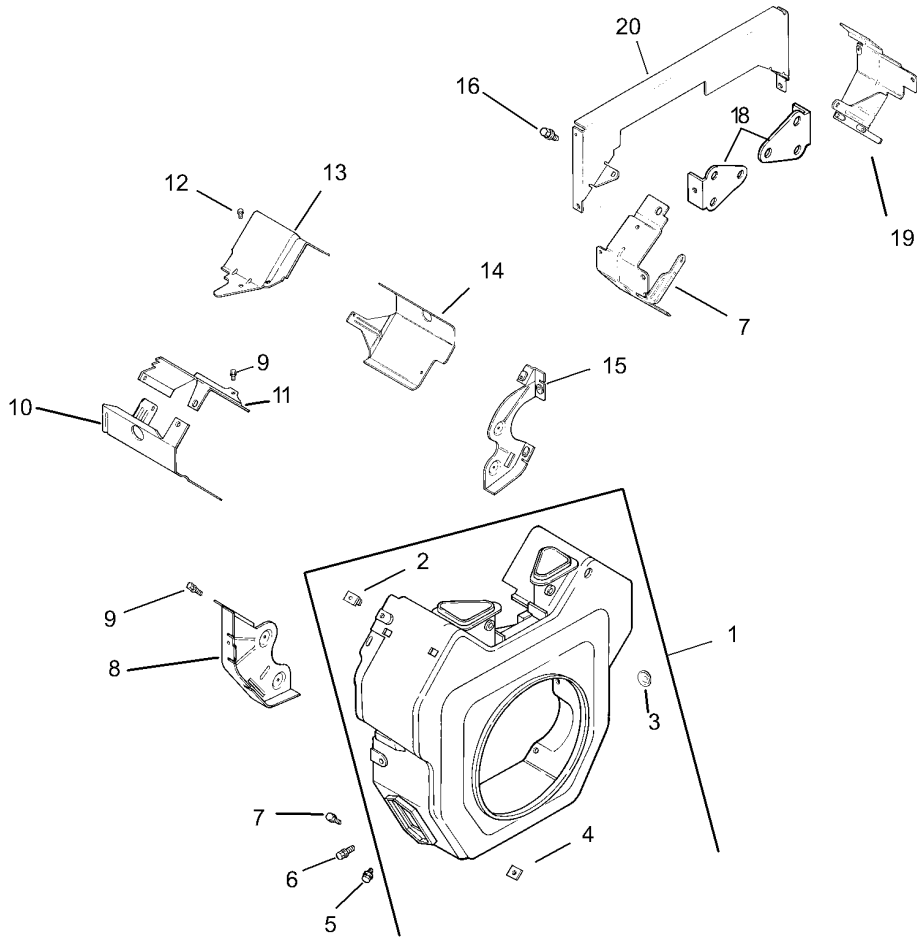
Ref	Part No.	Qty.	Description
⑮	24 559 03-S	1	Kit, Fuel Pump/valve Cover (Includes 2,3)
⑮	24 755 46-S	1	Kit, Oil Fill Cap (Includes 24)
⑮	25 153 02-S	1	O-Ring
⑮	24 402 03-S	1	Reed
⑮	12 018 01-S	1	Retainer-Reed
⑮	M-545010-S	1	Nut-HF
⑮	24 050 01-S	1	Filter-Breather
⑮	24 033 01-S	1	Kit, Breather (Includes 30-32)
⑮	25 139 60-S	1	Plug-Allen Head
⑮	24 041 23-S	1	Gasket-Breather
⑮	24 096 86-S	1	Cover-Breather
⑮	M-645020-S	4	Screw-HF
⑮	25 237 14-S	1	Clamp-Hose
⑮	24 326 26-S	0	Hose-Breather



Ignition / Electrical Assembly Kohler CH20S-64647

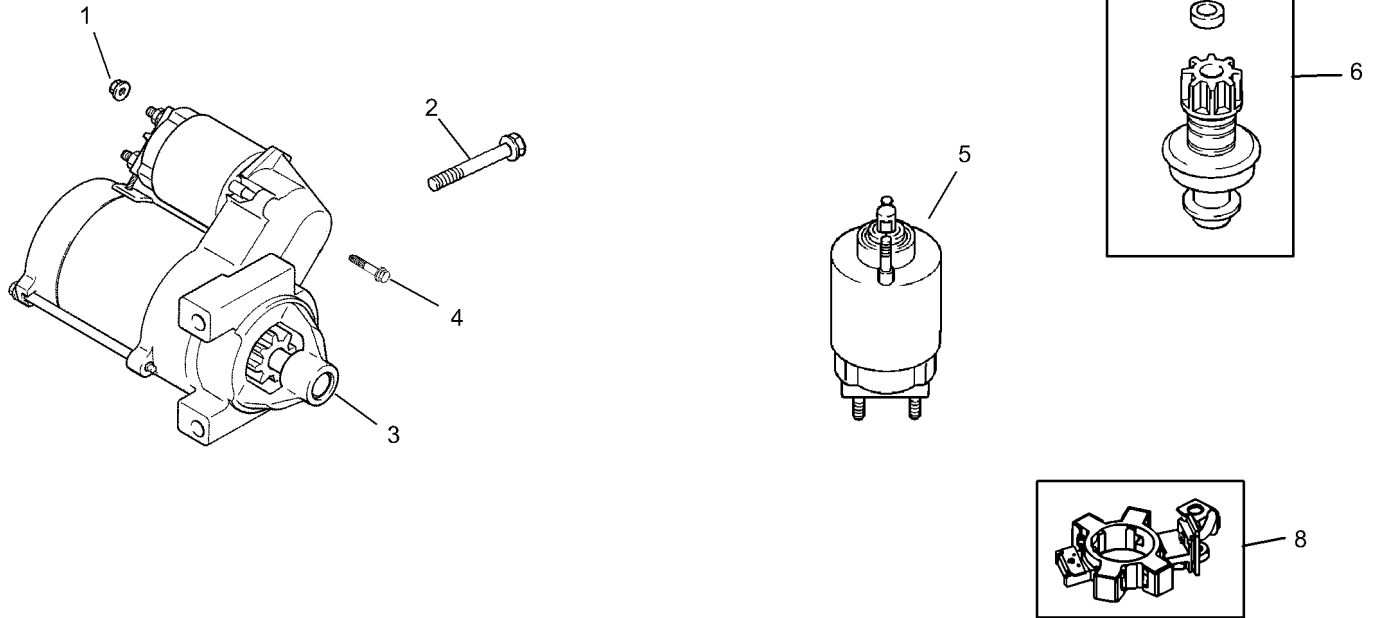
Ref	Part No.	Qty.	Description
1	28 085 02-S	1	Kit, Stator W/connectors (Includes 17)
2	24 126 71-S	1	Bracket-Stator Wire
3	M-545030-S	2	Screw-Cap, Hex
4	24 584 01-S	2	Module-Ignition
5	M-545020-S	4	Screw-HF
6	24 025 01-S	1	Flywheel
7	X-42-15-S	1	Key
8	12 468 03-S	1	Washer
9	12 086 14-S	1	Screw
10	24 157 01-S	1	Fan
11	25 086 47-S	4	Bolt-Shoulder
12	24 162 03-S	1	Screen-Grass
13	24 018 03-S	1	Retainer
14	25 403 05-S	1	Rectifier-Regulator 25 Amp
15	X-25-92-S	2	Washer
16	24 086 18-S	2	Screw
17	236602-S	1	Connector
18	235173-S	1	Clip-Cable
19	X-25-63-S	1	Washer
20	48 154 02-S	1	Clip-Cable
21	12 132 06-S	2	Plug-Spark
1	24 518 12-S	1	Lead-Black
1	24 176 72-S	1	Harness-Wiring

Ref	Part No.	Qty.	Description
1	X-22-11-S	1	Washer-Lock
2	25 454 03-S	2	Tie



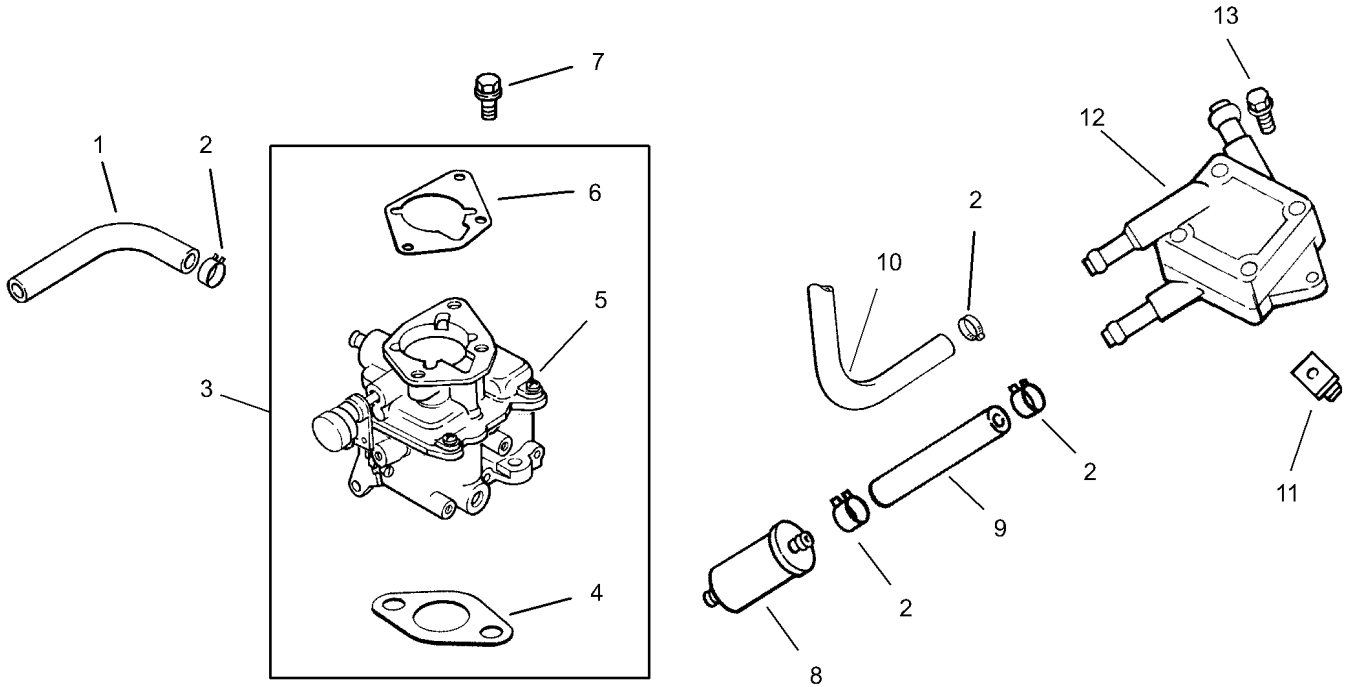
Blower Housing and Baffle Assembly Kohler CH20S-64647

Ref	Part No.	Qty.	Description				
1	24 027 175-S	1	Housing, Blower (Includes 2-4)				
2	24 100 02-S	2	Nut-Plastic				
3	25 139 16-S	1	Plug-Button				
4	24 100 01-S	3	Nut				
5	M-551016-S	1	Screw-HF				
6	M-545016-S	3	Screw-HF				
7	M-545020-S	4	Screw-HF				
8	24 146 16-S	1	Plate-Backing, #2 Side				
9	M-645016-S	6	Screw-HF				
10	24 063 20-S	1	Baffle-Cylinder Barrel, #2 Side				
11	24 063 17-S	1	Baffle-Valley #2 Side				
12	M-545010-S	2	Nut-HF				
13	24 063 59-S	1	Baffle-Valley, #1 Side				
14	24 063 58-S	1	Baffle-Cylinder, #2 Side				
15	24 146 20-S	1	Plate-Backing, #1 Side				
16	M-639010-S	4	Screw-HF				
17	24 063 13-S	1	Baffle-Ducted Air, #1 Side				
18	24 126 04-S	2	Bracket-Support				
19	24 063 12-S	1	Baffle-Ducted Air, #1 Side				
1	24 113 12-S	1	Decal				



Starting System Kohler CH20S-64647

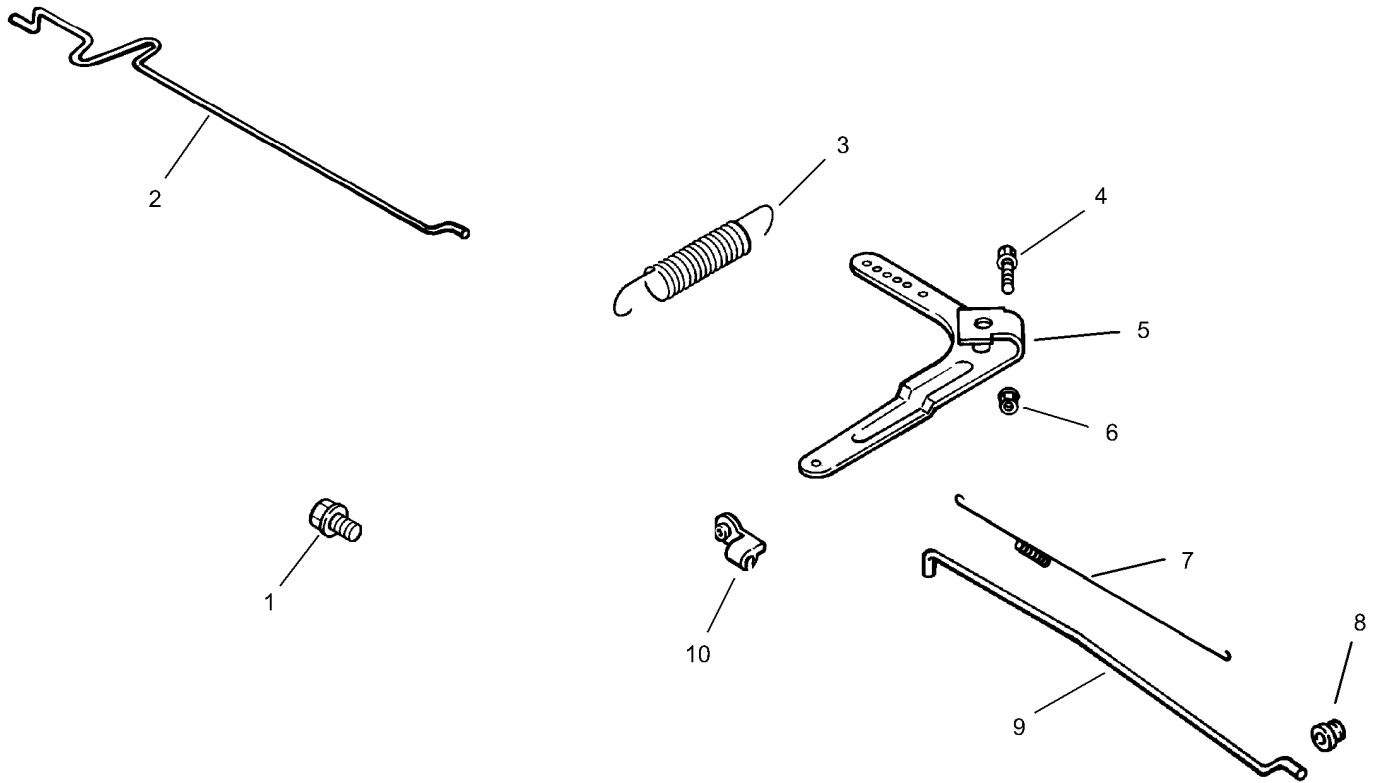
Ref	Part No.	Qty.	Description
1	M-841080-S	1	Nut-HF
2	M-839080-S	2	Screw-HF
3	24 098 09-S	1	Starter, Solenoid Shift Asm (Includes 4-18)
4	25 086 113-S	3	Screw-External Torx Head
5	25 435 05-S	4	Kit, Solenoid (Includes 4)
6	25 755 33-S	7	Kit, Pinion Drive (Includes 7)
7	25 141 05-S	1	Ring
8	25 221 01-S	1	Brush Kit



Fuel System Assembly Kohler CH20S-64647

Ref	Part No.	Qty.	Description
1	25 353 32-S	1	Line-Fuel
2	25 237 14-S	6	Clamp-Hose
3	24 853 33-S	1	Kit, Carburetor W/gasket (Includes 4-6)
4	24 041 06-S	1	Gasket-Air Cleaner
5		1	Carburetor Assembly (Includes 24 75701-S, 24 757 02-S, 24 757 03-S, 24 757 07-S, 24 757 08-S & 24 757 09-S)2405333 (For Information Only Not Available Separately)
6	24 041 17-S	1	Gasket-Carburetor
7	M-651030-S	2	Screw-HF
8	24 050 02-S	1	Filter-Fuel
9	25 353 15-S	1	Line-Fuel, 3-1/2"
10	24 353 02-S	1	Line-Fuel
11	24 100 01-S	2	Nut
12	24 393 16-S	1	Pump-Fuel
13	24 086 12-S	2	Screw
13	24 755 125-S	1	High Altitude Kit W/gaskets
13	24 757 01-S	1	Solenoid Kit
13	24 757 02-S	1	Float Kit
13	24 757 03-S	1	Carburetor Repair Kit
13	24 757 07-S	1	Choke Repair Kit
13	24 757 08-S	1	Repair Kit, Accelerator Pump Seal And Bushing

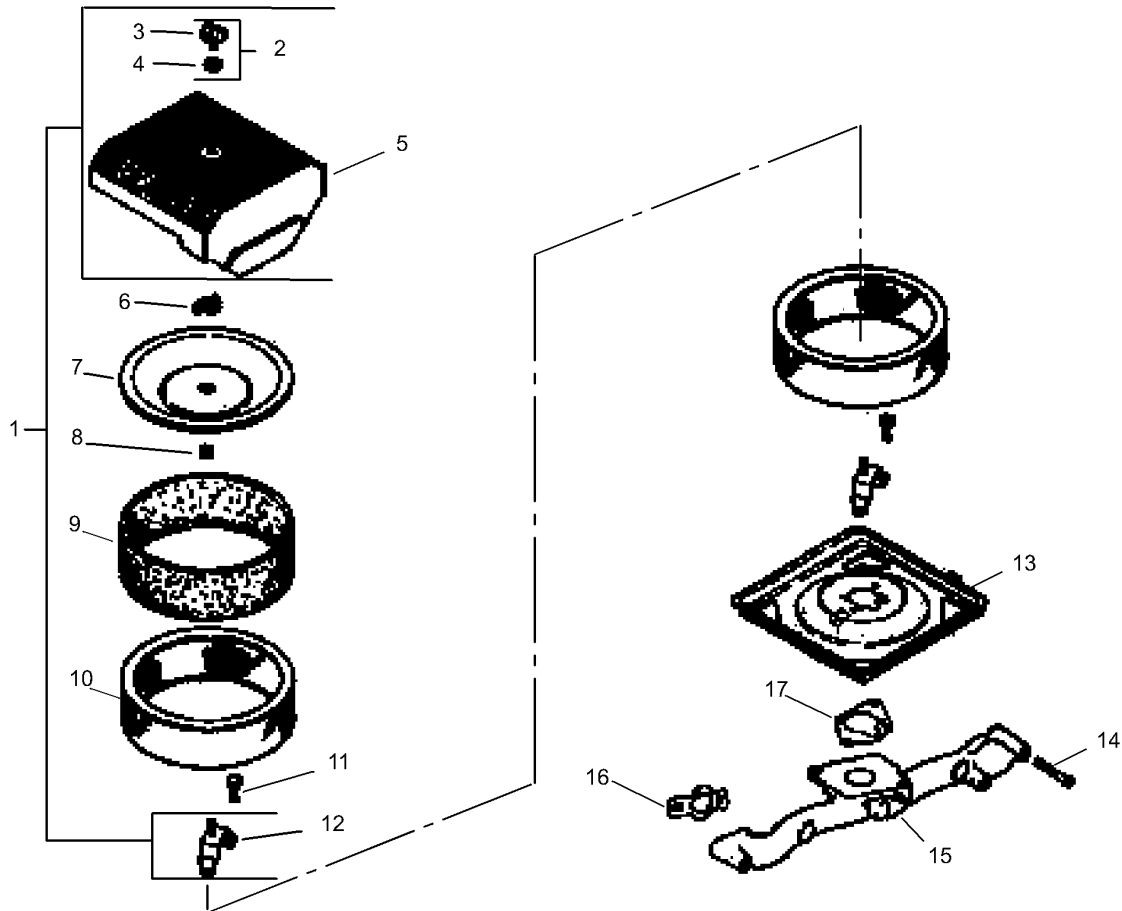
Ref	Part No.	Qty.	Description
13	24 757 09-S	1	Repair Kit, Accelerator Pump Diaphragm



Engine Controls Kohler CH20S-64647

Ref	Part No.	Qty.	Description
①	M-645016-S	4	Screw-HF
②	24 079 21-S	1	Linkage-Choke
③	24 089 15-S	1	Spring-Governor
④	24 211 03-S	1	Bolt
⑤	24 090 33-S	1	Lever-Governor
⑥	M-641060-S	1	Nut-HF
⑦	24 089 01-S	1	Spring-Linkage
⑧	25 158 08-S	1	Bushing
⑨	24 079 01-S	1	Linkage-Throttle
⑩	25 158 11-S	1	Bushing
⑪	25 454 03-S	1	Tie

--	--	--	--



Air Intake / Filtration Assembly Kohler CH20S-64647

Ref	Part No.	Qty.	Description
1	24 743 05-S	1	Kit, Air Cleaner Cover (Includes 2-5,12)
2	54 755 01-S	1	Kit, Knob With Seal (Includes 3,4)
3	25 341 03-S	1	Knob-Cover
4	24 153 20-S	1	O-Ring
5	24 096 67-S	1	Cover-Air Cleaner
6	12 100 01-S	1	Nut-Wing
7	24 096 01-S	1	Cover-Inner Air Cleaner
8	24 032 03-S	1	Seal-Breather
9	24 083 02-S	1	Element-Precleaner
10	47 083 03-S	1	Element-Air Cleaner
11	M-639016-S	3	Screw-HF
12	24 126 21-S	1	Bracket-Air Cleaner
13	24 094 24-S	1	Base-Air Cleaner
14	25 086 84-S	4	Screw-Hfh
15	24 164 14-S	1	Manifold
16	24 041 01-S	2	Gasket-Intake Manifold
17	24 041 06-S	1	Gasket-Air Cleaner

--	--	--	--

NOTES

