



Multi-Pro[®] 5600 Turf Sprayer

Model No. 41568 - 230000401 and up.

Parts Catalog

Ordering Replacement Parts

To order replacement parts, please supply the part number, the quantity, and the description of each part desired.

Understanding Reference Numbers

Each Identified part in an illustration has a reference number. The reference number for a part also appears in the parts list, along with other information about the part.

This catalog uses two special reference number formats, one to indicate parts in a service assembly and another to indicate the quantity of a given part in an illustration.

Service Assembly Reference Numbers

Parts in service assemblies have reference numbers in the form a:b. The a represents the reference number of the entire service assembly and the b represents a sequential number unique to each part within the service assembly.

For example, a wheel assembly might be identified by reference number 6, the tire by 6:1, the valve by 6:2, and the wheel by 6:3. When you order the assembly identified by reference number 6, you receive all parts identified by reference numbers 6:1, 6:2, and 6:3. However, you may also order any part individually. Reference numbers of this type appear in illustrations and in part lists.

Reference Numbers Indicating Quantity

In an illustration, if a reference number indicates more than one part, the reference number has the form nX y. The n represents the quantity of the part, the X is the multiplication symbol, and the y represents the reference number.

For example, in an illustration, the reference number 2X 37 means that two of the parts identified by reference number 37 are indicated.

Part Description Abbreviations

Part descriptions in this catalog may include the following abbreviations.

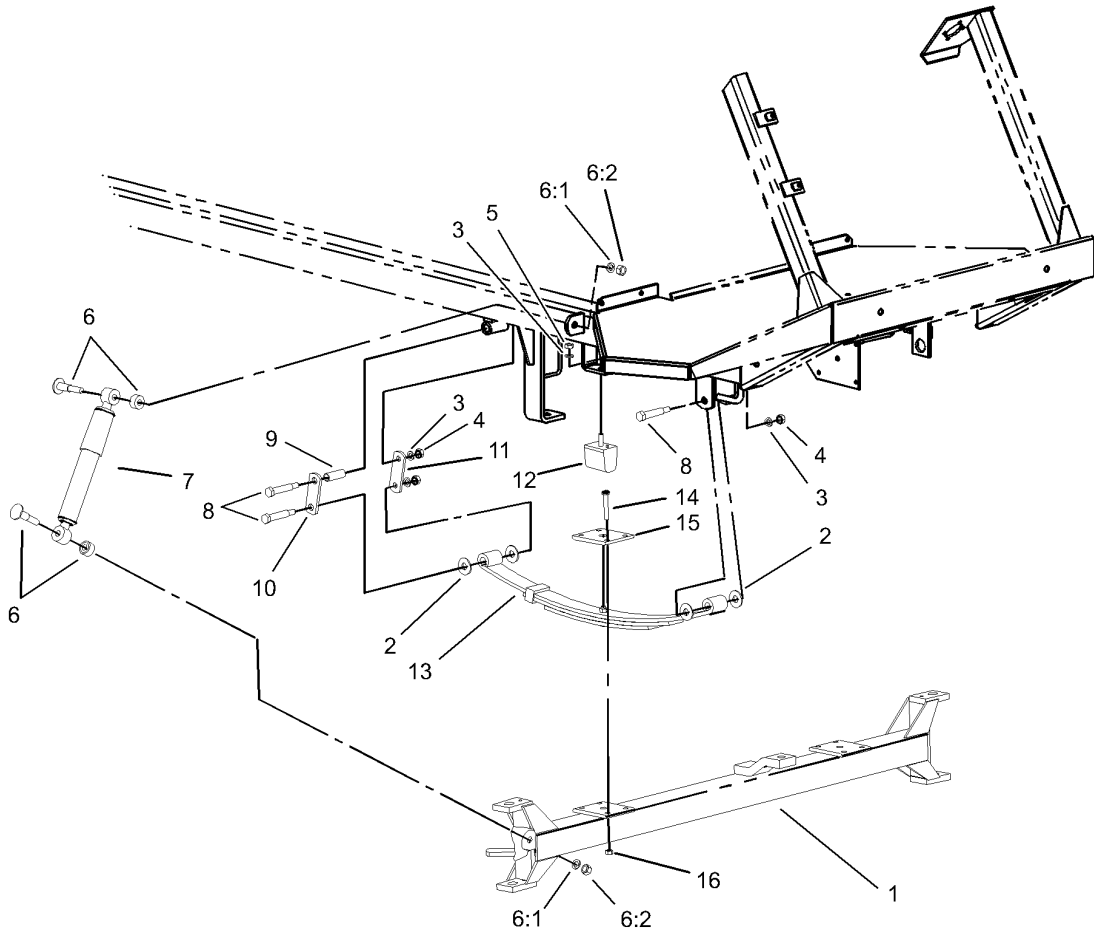
AR.	as required	HYD.	hydraulic
ASM.	assembly	INC.	incorporated
CARR.	carriage	LH.	left hand
DEG.	degrees	NI.	nylon insert
FH.	flat head	PPH.	phillips pan head
GA.	gauge	PTH.	phillips truss head
HF.	hex flange	PTO.	power take off
HH.	hex head	RH.	right hand
HHF.	hex head flange	SFH.	slotted fillister head
HHFTF.	hex head flange thread forming	SHH.	slotted hex head
HJ.	hex jam	SHWH.	slotted hex washer head
HLH.	hex lag head	SPH.	slotted pan head
HOC.	height-of-cut	SQH.	square head
HS.	hex	SRH.	slotted round head
HSBH.	hex socket button head	STD.	standard
HSFH.	hex socket flat head	TAP.	self tapping
HS.	hex socket head	TTH.	torx truss head
HWH.	hex washer head	WH.	wing head
HWHTF.	hex washer head thread forming		

Footnotes

- | | | | |
|---|--|---|--|
| ❶ | Not illustrated | ❷ | Not serviced separately |
| ❸ | Order all parts from your local Ford Power Products Dealer unless otherwise noted. | ❹ | Obtain parts from your local Authorized Toro Dealer. |

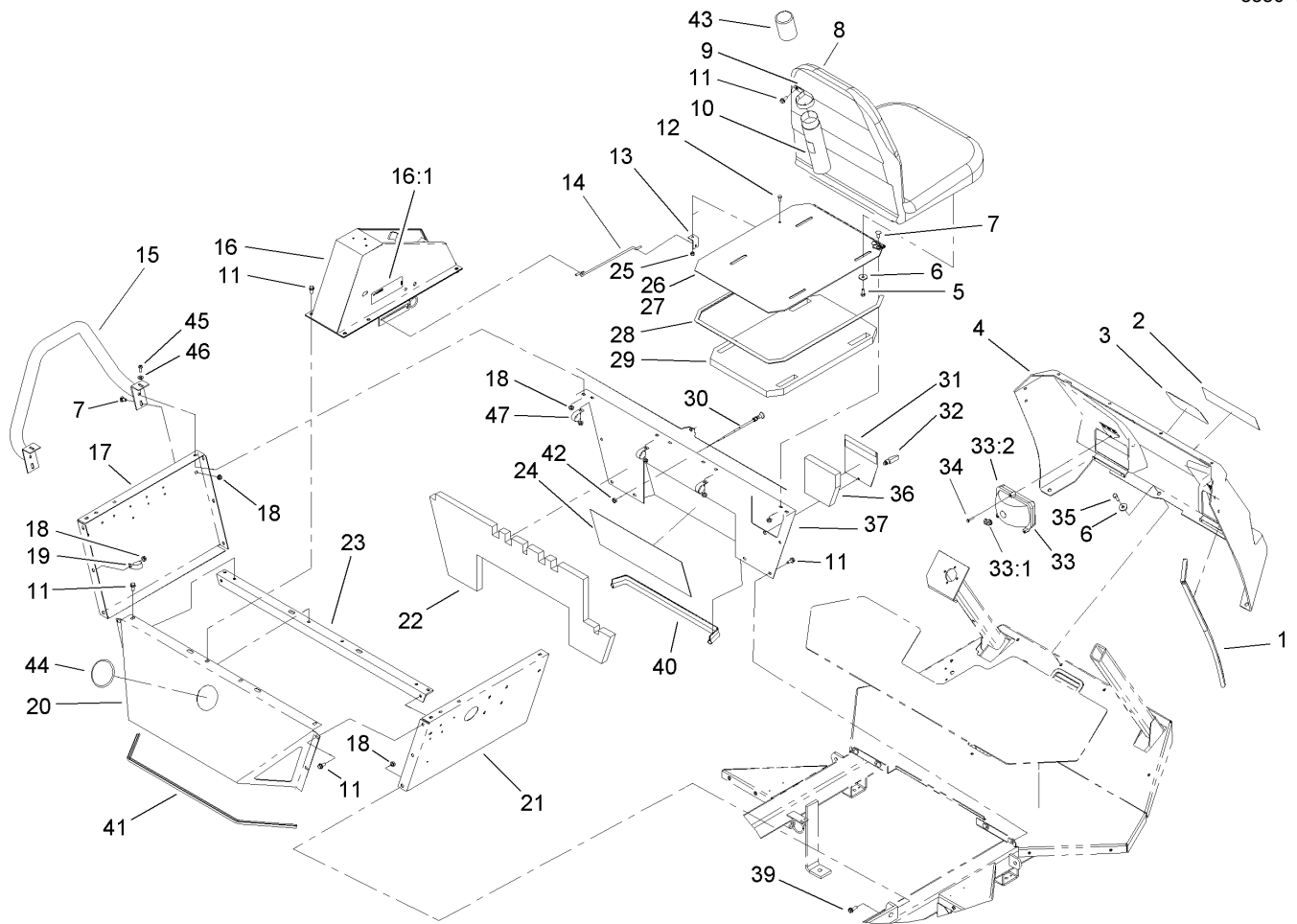
Contents

Description	Page	Description	Page
Front Suspension Assembly 4	External Sprayer Component Assembly 41
Engine Shroud, Front Console and Seat Assembly 5	Valve Boom Assembly 43
Control Console Assembly 7	Valve Agitation Assembly 44
Rear Wheel Assembly 8	Internal Sprayer Component Assembly 45
Hydraulic Motor Assembly No. 93-6488 9	Filter Assembly 46
Brake Assembly No. 100-3069-03 10	Safety Valve Assembly No. 100-6820 47
Planetary Assembly No. 105-4500-03 11	Tank Drain Assembly 48
Brake Assembly No. 100-3070-03 12	Sprayer Component Assembly 49
Hydraulic Motor Assembly No. 93-6489 13	Crankshaft and Camshaft Assembly No.1 FORD VSG-4131-6007-Z 50
Brake Pedal Assembly 14	Crankshaft and Camshaft Assembly No.2 FORD VSG-4131-6007-Z 52
Frame, Fender and Battery Mount Assembly 15	Oil Pump and Filter Assembly FORD VSG-4131-6007-Z 54
Fresh Water and Spray Tank Assembly 16	Cylinder Head and Valve Assembly FORD VSG-4131-6007-Z 55
300 Gallon Tank Assembly No. 106-5011 17	Manifold Assembly FORD VSG-4131-6007-Z 56
Lid Assembly 18	Carburetor Assembly FORD VSG-4131-6007-Z 57
Fresh Water Tank Assembly No. 100-8438 19	Ignition and Fuel Pump Assembly FORD VSG-4131-6007-Z 58
Exhaust Assembly 20	Alternator Regulator Assembly FORD VSG-4131-6007-Z 59
Dash and Instrument Assembly 21	Radiator Assembly FORD VSG-4131-6007-Z 60
Dash Panel Assembly No. 104-9105 23	Radiator Shroud Assembly FORD VSG-4131-6007-Z 61
Hydraulic Pump Assembly 24	Governor Assembly FORD VSG-4131-6007-Z 62
Gear Pump Assembly No. 93-6492 26	Fan, Water Pump and Thermostat Assembly FORD VSG-4131-6007-Z 63
Piston Pump Assembly No. 93-6491 27	Main Harness and Fly Wheel Assembly FORD VSG-4131-6007-Z 64
Control Assembly No. 93-6306 29		
Front Wheel Assembly 30		
Pump Drive Assembly 31		
Spray Pump Assembly No. 104-9099 32		
Pump Assembly No. 106-5121 33		
Steering Assembly 34		
Steering Control Assembly No. 92-3502 35		
Hydraulic Cylinder Assembly No. 93-6510 36		
Engine, Oil Cooler and Air Cleaner Assembly 37		
Drive Linkage Assembly 38		
Fuel and Hydraulic Tank Assembly 39		
Traction Pedal Assembly 40		



Front Suspension Assembly

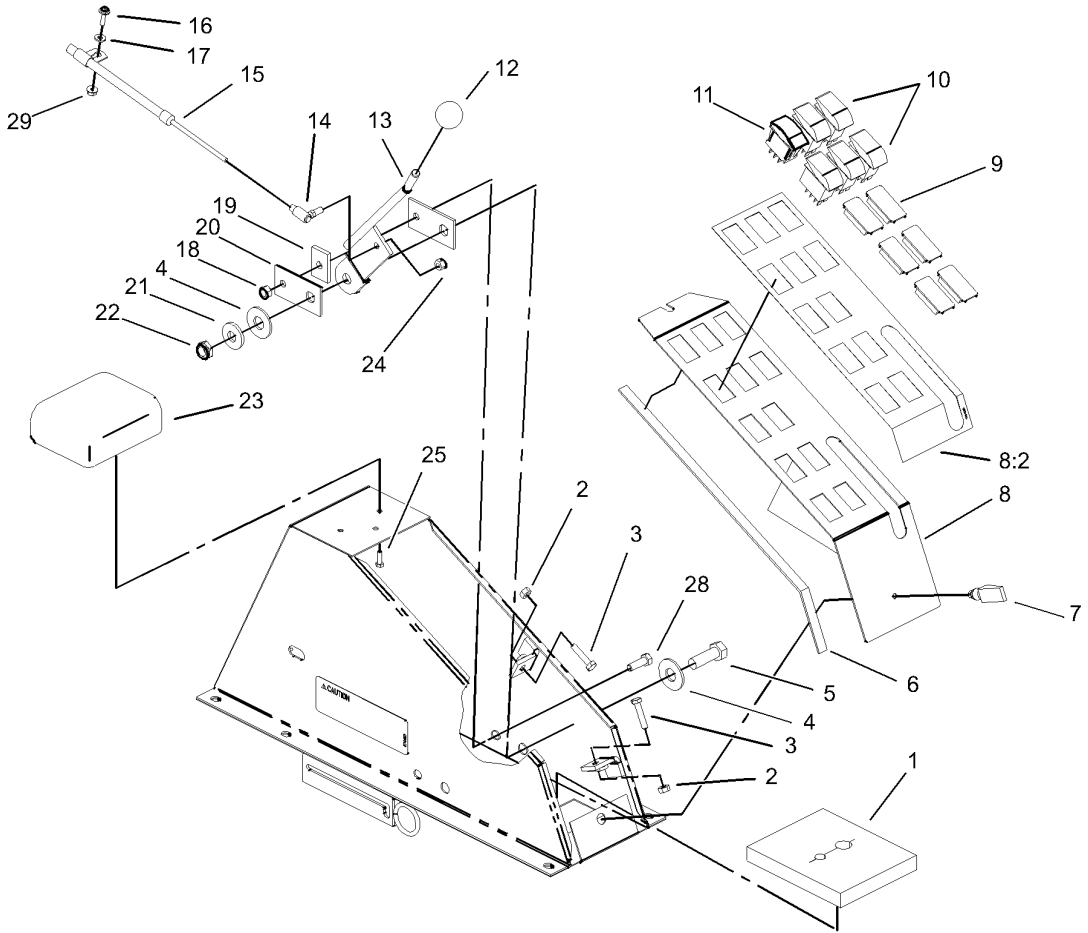
Ref	Part No.	Qty.	Description
1	93-6568-03	1	Front Axle ASM
2	93-6161	8	Washer
3	3253-6	8	Washer-Lock
4	3217-8	6	Nut-Hex
5	93-6166	2	Nut
6	42691	4	Bolt ASM
6:1	3253-7	1	Washer-Lock
6:2	3219-5	1	Nut-Hex
7	42690	2	Shock Absorber ASM
8	42599	6	Bolt-Shoulder
9	42592	2	Bushing-Shackle
10	42574	2	Shackel-Outside
11	42576	2	Shackel-Inside
12	87-3470	2	Bumper-Axle, Rear
13	99-0570	2	Spring-Leaf
14	323-11	8	Screw-HH
15	42575-03	2	Plate-Spring
16	32153-2	8	Nut-Lock



Engine Shroud, Front Console and Seat Assembly

Ref	Part No.	Qty.	Description
1	94-7086	2	Trim
2	106-4994	1	Decal
3	62-5550	1	Decal
4	94-7076	1	Console
5	322-3	8	Screw-HH
6	356303	14	Washer
7	3230-1	8	Bolt-CARR
8	104-4620	2	Seat-Olympic, Toro
9	2412-133	2	R-Clamp
10	104-7050	1	Housing-Manual
11	3234-5	20	Screw
12	321-3	2	Screw-HH
13	94-7203	2	Bracket
14	94-7204	2	Seat Prop Rod ASM
15	94-7046-03	2	Hip Restraint ASM
16	94-8534	1	Console ASM
16:1	87-0450	2	Decal-Caution, Braking
17	94-7042-01	1	Panel-Seat Box, LH
18	32128-20	22	Nut-HF
19	2412-104	1	R-Clamp
20	95-2164-03	1	Rear Panel ASM
21	95-2163-01	1	Panel-Seat Box, RH
22	104-8700	1	Barrier-Noise, Front Panel
23	94-7090-03	1	Seat Box Angle ASM

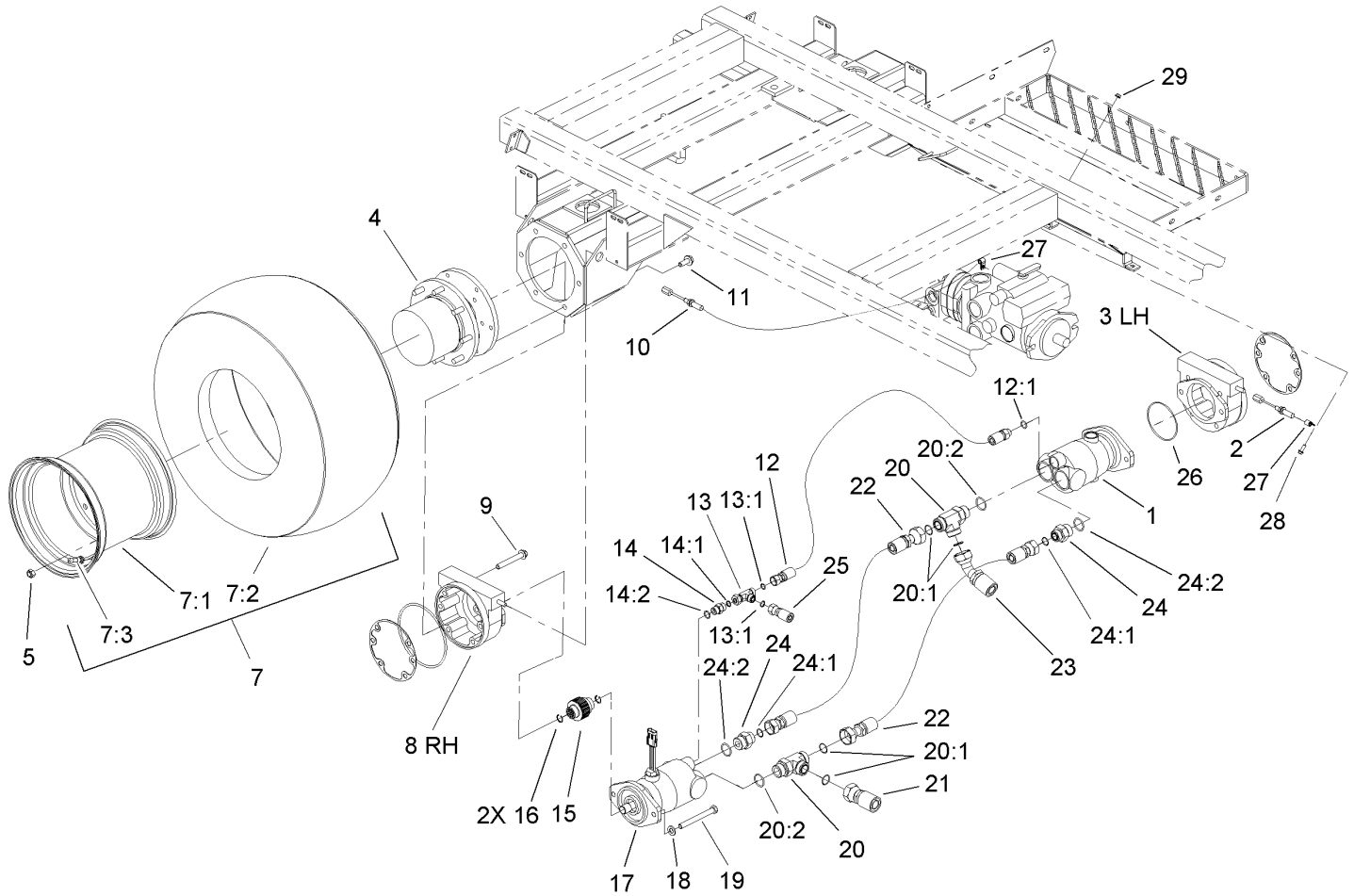
Ref	Part No.	Qty.	Description
24	104-8701	1	Barrier-Noise, Lower Front Panel
25	3296-42	2	Nut-Lock, NI
26	94-7056-03	1	RH Seat Panel ASM
27	94-7059-03	1	LH Seat Panel ASM
28	94-7085	2	Trim
29	104-8703	2	Barrier-Noise, Seat
30	42611	1	Cable-Choke Control
31	95-2166-01	1	Access Panel ASM
32	74-5950	1	Latch-Swell
33	87-2120	2	Headlight
33:1	95-0909	1	Lamp-12 Volt
33:2	87-6330	1	Lens-Headlight
34	32144-9	6	Screw-Self Tapping
35	322-5	6	Screw-HH
36	104-8702	1	Barrier-Noise, Access Panel
37	95-2162-01	1	Front Seat Panel ASM
39	3234-17	2	Screw-HHF
40	95-2178	1	Trim
41	106-1998	1	Trim
42	3220-3	1	Nut-Jam
43	104-7048	1	Cap-Housing
44	2410-35	1	Plug-Cap
45	3274-55	4	Screw-HSBH
46	3256-23	4	Washer-Flat



Control Console Assembly

Ref	Part No.	Qty.	Description
1	94-7142	1	Panel-Foam
2	3217-5	2	Nut-Hex
3	321-8	2	Screw-HH
4	3256-15	2	Washer-Flat
5	325-6	1	Screw-HH
6	94-7178	2	Seal-Foam, Console
7	74-5950	1	Latch-Swell
8	106-1210	1	Switch Panel ASM
8:2	104-9177	1	Decal-Spray Control
9	99-7420	6	Plug-Hole
10	100-8490	5	Switch-Dpdt
11	100-1535	1	Switch
12	233-42	1	Knob
13	94-7060-03	1	Throttle ASM
14	100-8559	1	Ball Joint ASM
15	104-9147	1	Cable-Throttle
16	32105-13	1	Screw-SHH
17	3256-14	1	Washer-Flat
18	104-8300	1	Nut-Flange, NI
19	94-7063-03	1	Spacer-Bearing Mount
20	94-7064	2	Plate-Throttle
21	3290-450	1	Washer-Belleville
22	3296-45	1	Nut-Lock, NI
23	94-7087	1	Pad

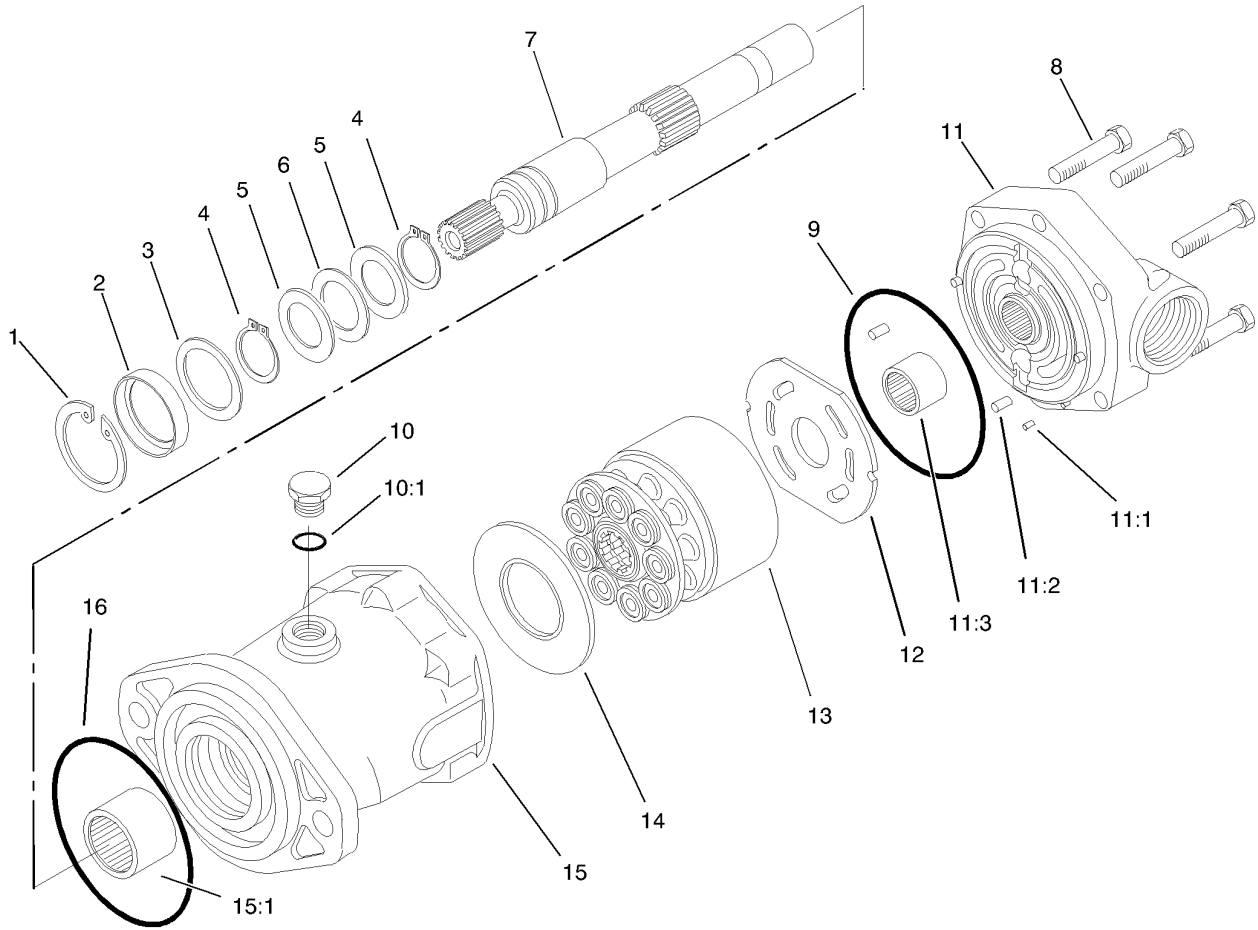
Ref	Part No.	Qty.	Description
24	3296-3	1	Nut-Lock, NI
25	3290-134	2	Screw
28	322-5	1	Screw-HH
29	3290-148	1	Nut-HF



Rear Wheel Assembly

Ref	Part No.	Qty.	Description
1	93-6488	1	Motor-HYD
2	107-8656	1	Cable-Brake, LH
3	100-3069-03	1	Brake ASM
4	105-4500-03	2	Planetary ASM
5	242-50	16	Nut-Lug
7		2	Tire And Wheel ASM
7:1	106-5024	1	Wheel
7:2	93-6152	1	Tire
7:3	232-27	1	Stem-Valve
8	100-3070-03	1	Brake ASM
9	33106-090	8	Screw-HHF
10	107-8657	1	Cable-Brake, RH
11	33106-030	12	Screw-HHF
12	104-9193	1	Hose ASM
12:1	237-79	1	O-Ring
13	340-104	1	Tee-Fitting
13:1	237-30	2	O-Ring
14	340-4	1	Fitting-Hyd, Sraight
14:1	237-30	1	O-Ring
14:2	237-79	1	O-Ring
15	100-3046	2	Shaft-Brake, Splined
16	93-7972	4	Ring-Retaining, Internal
17	93-6489	1	Motor-HYD
18	33096-00	4	Washer-Flat

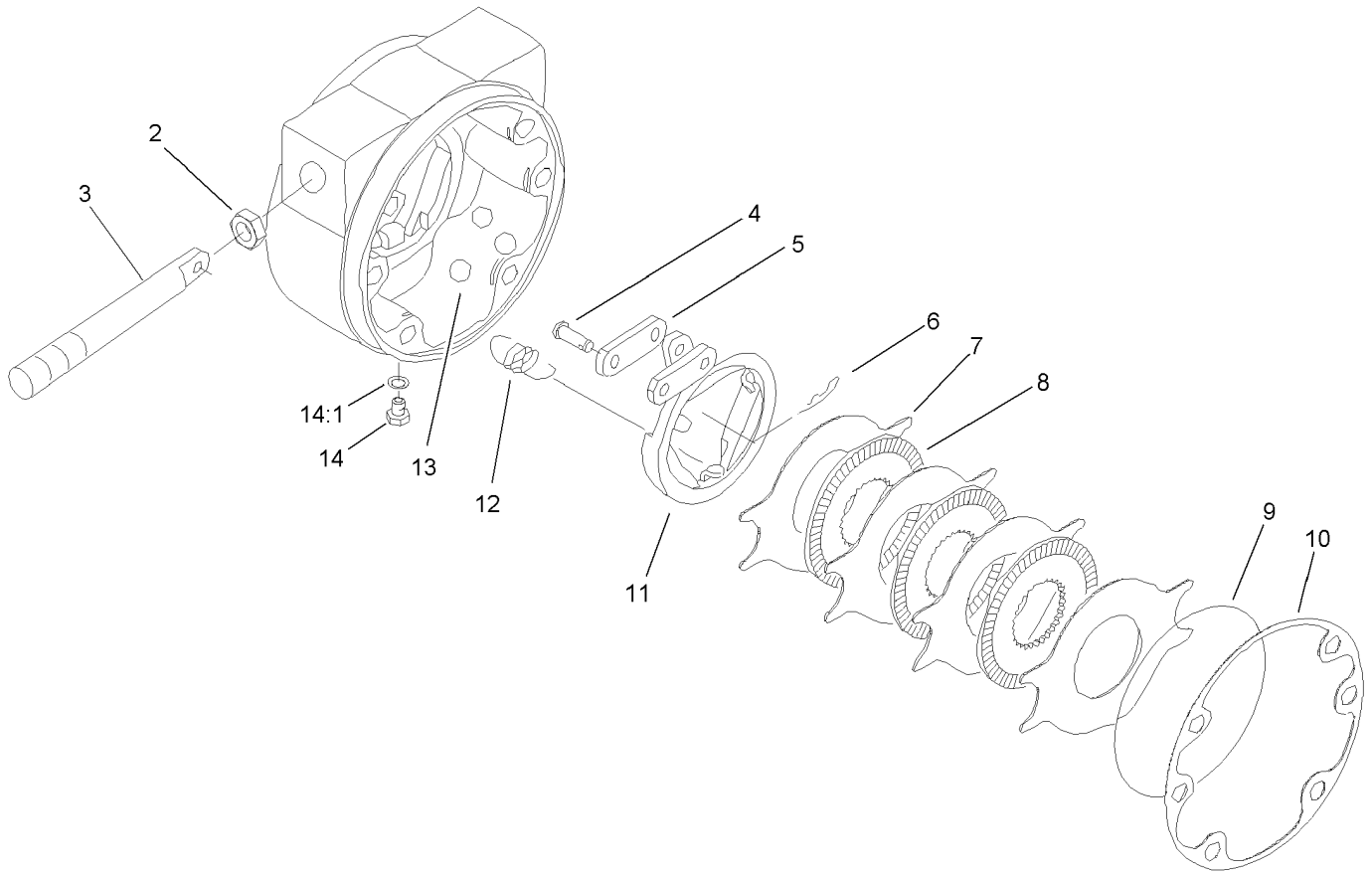
Ref	Part No.	Qty.	Description
19	33116-120	4	Screw-HH
20	104-3795	2	Fitting-Tee, HYD
20:1	340-65	2	O-Ring
20:2	237-146	1	O-Ring
21	104-9195	1	Hose ASM
22	104-9187	2	Hose ASM
23	104-9196	1	Hose ASM
24	340-91	2	Adapter
24:1	237-58	1	O-Ring
24:2	237-146	1	O-Ring
25	104-9197	1	Hose ASM
26	237-166	2	O-Ring
27	2412-91	2	Clamp
28	3234-4	2	Screw-HHF
29	32128-33	2	Nut-HF



Hydraulic Motor Assembly No. 93-6488

Ref	Part No.	Qty.	Description
1	76-7010	1	Ring-Retaining
2	105-3331	1	Seal-Shaft
3	60-6240	1	Washer
4	76-7000	2	Ring-Retaining
5	76-6950	2	Race-Thrust
6	76-6960	1	Bearing-Thrust
7	94-3004	1	Shaft-Drive, Splined
8	94-3002	6	Capscrew
9	76-6980	1	O-Ring
10	94-3009	1	Plug
②10:1		1	O-Ring
11	95-2081	1	Back Plate ASM
②11:1		1	Pin-Dowel
②11:2		3	Pin-Dowel
②11:3		1	Bearing-Needle
12	94-3003	1	Plate-Valve
13	76-6910	1	Rotating Kit
14	76-6970	1	Insert-Plate, Cam
15	95-2082	1	Housing
②15:1		1	Bearing-Needle
16	237-166	1	O-Ring

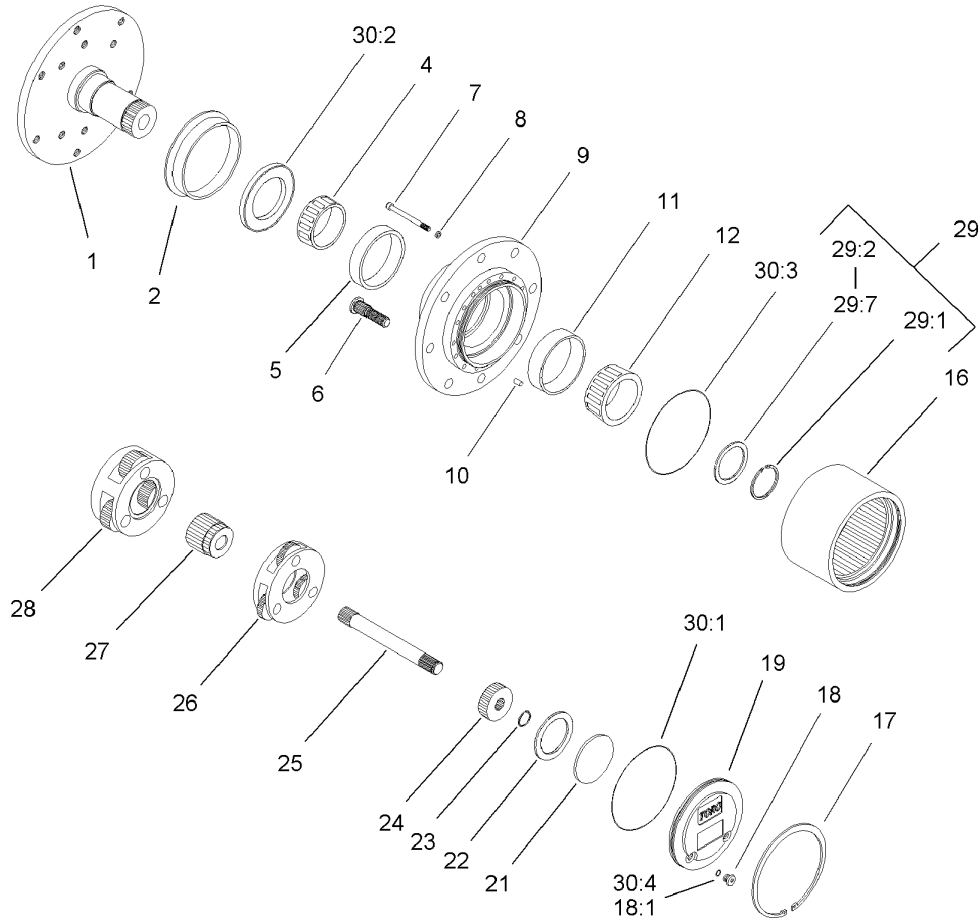
--	--	--	--



Brake Assembly No. 100-3069-03

Ref	Part No.	Qty.	Description
2	93-7977	1	Seal
3	93-7978	1	Rod-Pull
4	93-7983	2	Pin-Clevis
5	93-7980	2	Link
6	93-7979	2	Pin-Hitch
7	93-7986	4	Disc-Stationary
8	104-4278	3	Disc-Rotating
9	93-7976	1	Ring-Retaining
10	93-7984	1	Gasket
11	104-4280	1	Actuator-Rotating
12	93-7987	3	Spring-Extension
13	93-7985	3	Ball
14	353-990	2	Plug
14:1	237-78	1	O-Ring

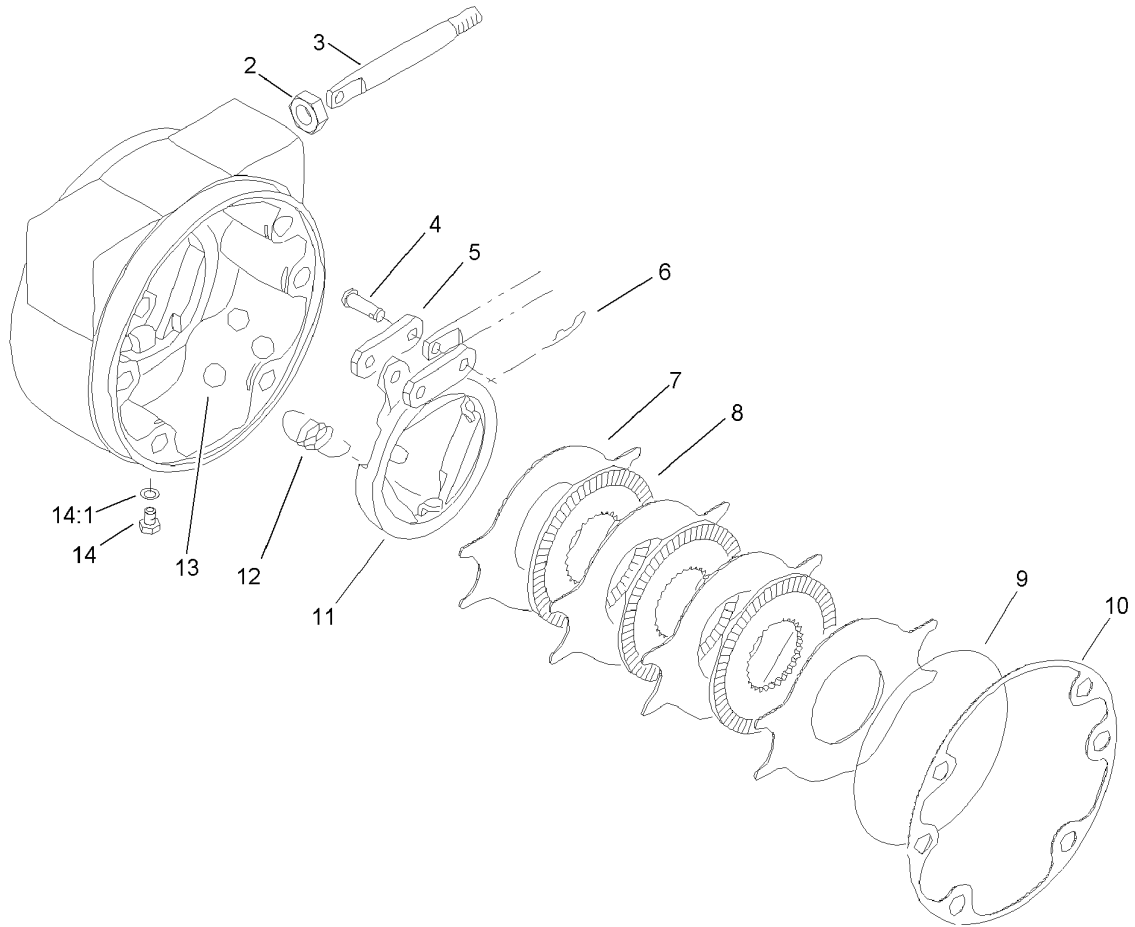
--	--	--	--



Planetary Assembly No. 105-4500-03

Ref	Part No.	Qty.	Description
②1		1	Spindle
2	105-8122	1	Seal-Boot
4	105-8120	1	Bearing-Cone
5	105-8119	1	Bearing-Cup
6	105-8124	8	Stud-Wheel
7	105-8125	16	Bolt-Head, Socket
8	3253-18	16	Washer-Lock/sp
②9		1	Housing
10	105-8121	1	Pin-Dowel
11	105-8117	1	Bearing-Cup
12	105-8118	1	Bearing-Cone
16	105-8113	1	Gear-Ring
17	105-8132	1	Ring-Retaining
18	353-990	2	Plug
18:1	237-78	1	O-Ring
19	105-8138	1	Cap-End
21	105-8133	1	Plug-Thrust
22	105-8123	1	Washer-Thrust
23	105-8131	1	Ring-Retaining
24	105-8114	1	Gear-Primary
25	105-8115	1	Shaft-Drive
26	105-8129	1	Primary Carrier ASM
27	105-8139	1	Gear-Secondary
28	105-8130	1	Secondary Carrier ASM

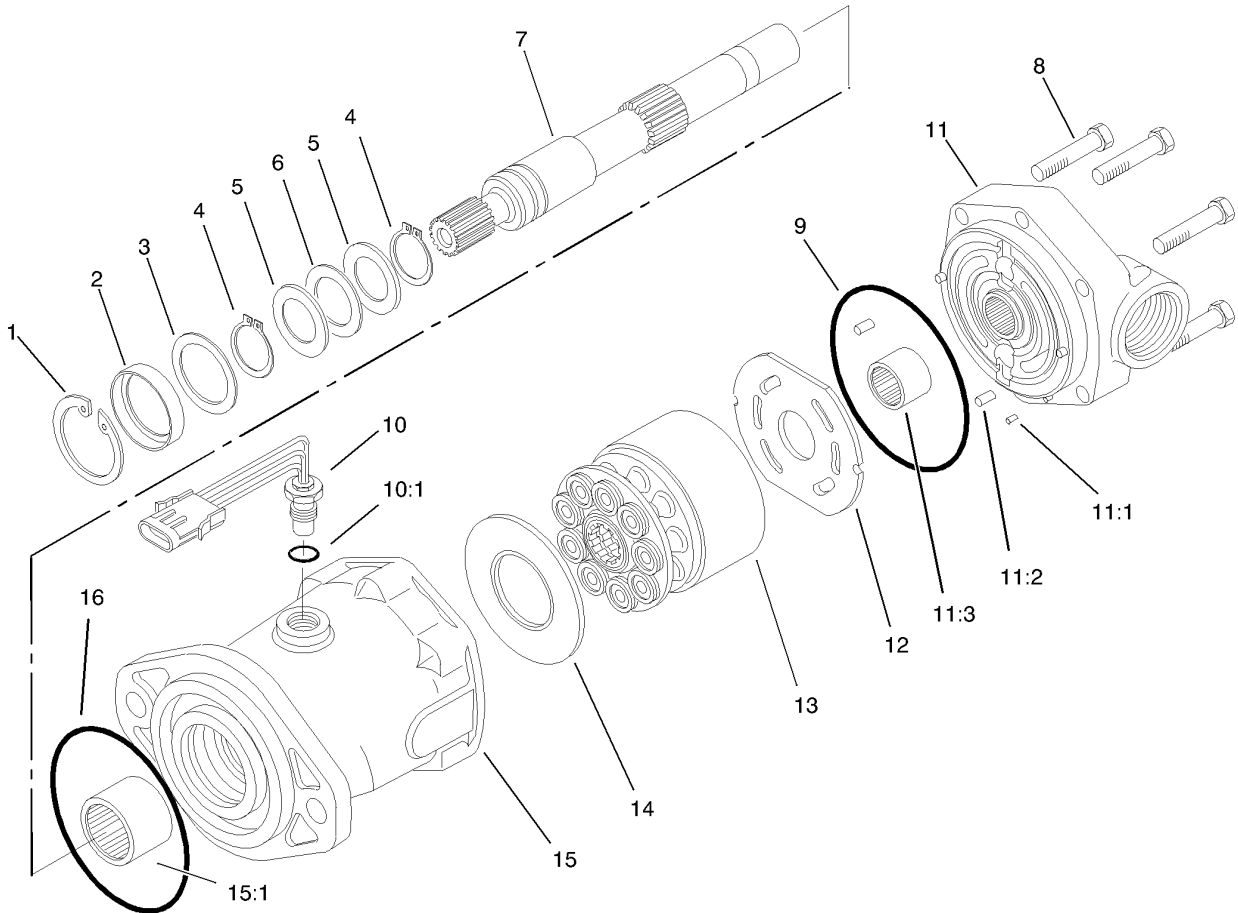
Ref	Part No.	Qty.	Description
29	105-8136	1	Part Kit
②29:1		1	Ring-Snap
②29:2		1	Shim-Bearing, 2.9mm
②29:3		1	Shim-Bearing, 2.8mm
②29:4		1	Shim-Bearing, 2.7mm
②29:5		1	Shim-Bearing, 2.6mm
②29:6		1	Shim-Bearing, 2.5mm
②29:7		1	Shim-Bearing, 2.4mm
①30	105-8137	1	Seal Kit
②30:1		1	O Ring-Flange Cap
②30:2		1	Seal-Oil
②30:3		2	O Ring-End Cap
30:4	237-78	2	O-Ring



Brake Assembly No. 100-3070-03

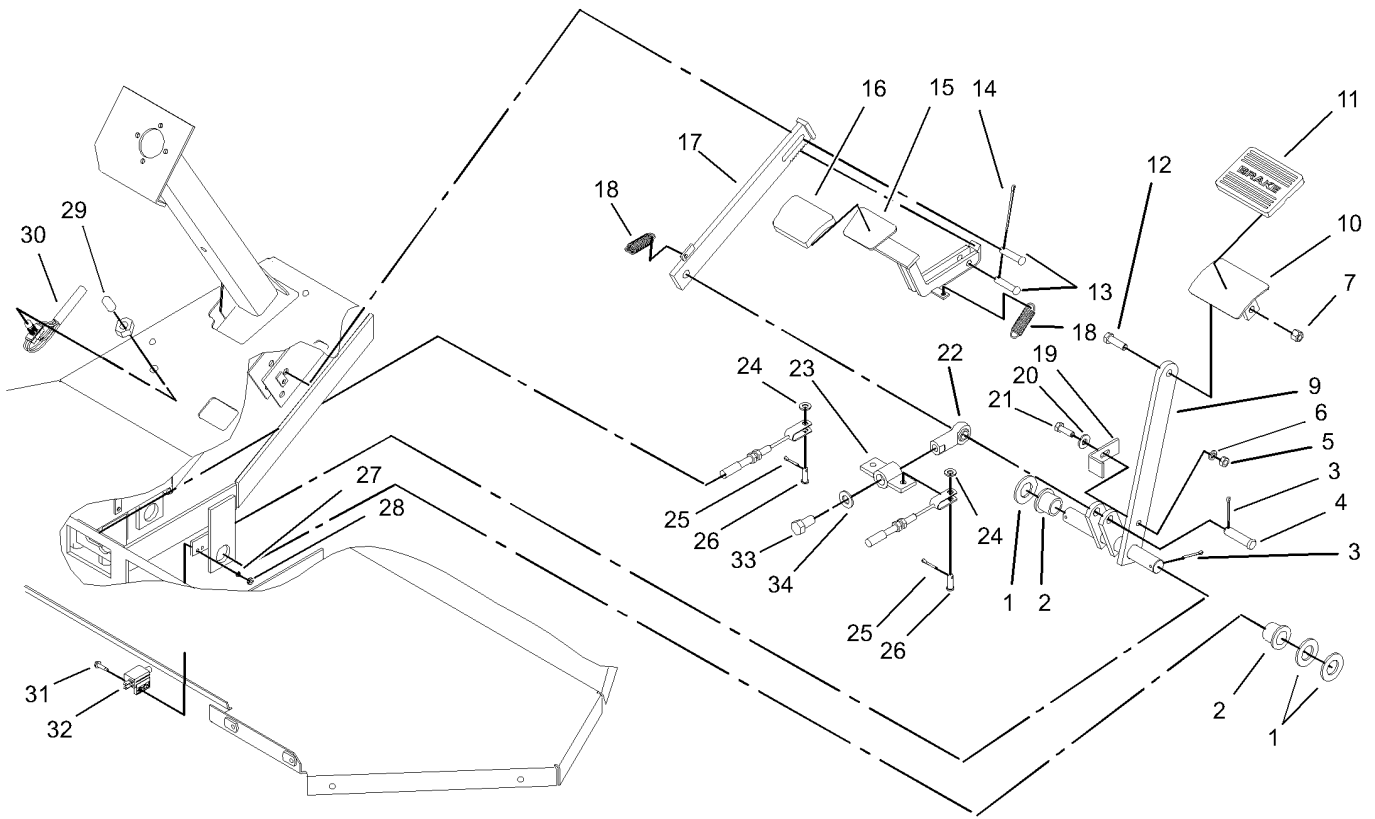
Ref	Part No.	Qty.	Description
2	93-7977	1	Seal
3	93-7978	1	Rod-Pull
4	93-7983	2	Pin-Clevis
5	93-7980	2	Link
6	93-7979	2	Pin-Hitch
7	93-7986	4	Disc-Stationary
8	104-4278	3	Disc-Rotating
9	93-7976	1	Ring-Retaining
10	93-7984	1	Gasket
11	104-4279	1	Actuator-Rotating
12	93-7987	3	Spring-Extension
13	93-7985	3	Ball
14	353-990	2	Plug
14:1	237-78	1	O-Ring

--	--	--	--



Hydraulic Motor Assembly No. 93-6489

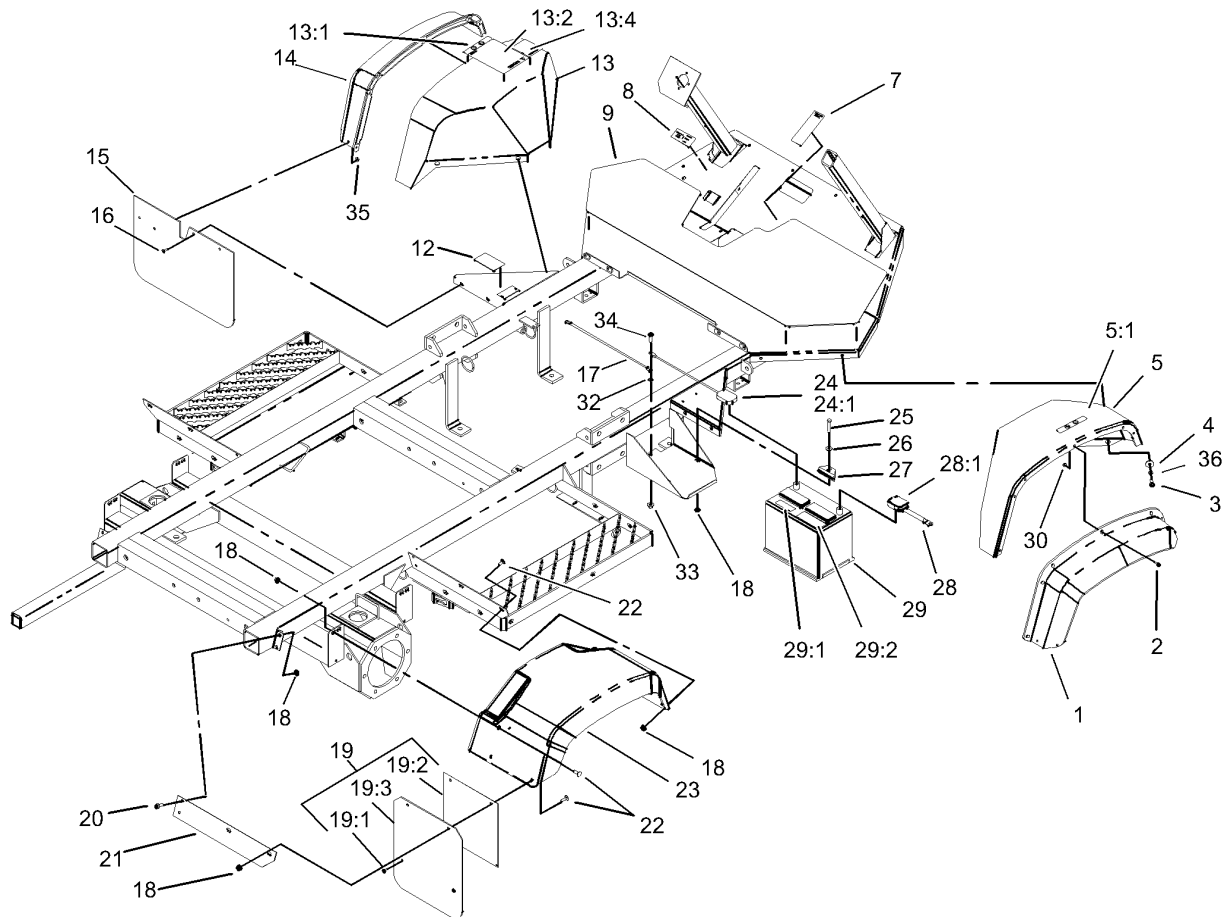
Ref	Part No.	Qty.	Description
1	76-7010	1	Ring-Retaining
2	105-3331	1	Seal-Shaft
3	60-6240	1	Washer
4	76-7000	2	Ring-Retaining
5	76-6950	2	Race-Thrust
6	76-6960	1	Bearing-Thrust
7	94-3004	1	Shaft-Drive, Splined
8	94-3002	6	Capscrew
9	76-6980	1	O-Ring
10	94-3010	1	Sensor-Speed, Pickup
② 10:1		1	O-Ring
11	95-2081	1	Back Plate ASM
② 11:1		1	Pin-Dowel
② 11:2		3	Pin-Dowel
② 11:3		1	Bearing-Needle
12	94-3003	1	Plate-Valve
13	76-6910	1	Rotating Kit
14	76-6970	1	Insert-Plate, Cam
15	95-2083	1	Housing
② 15:1		1	Bearing-Needle
16	237-166	1	O-Ring



Brake Pedal Assembly

Ref	Part No.	Qty.	Description
1	3256-29	3	Washer-Flat
2	94-7164	2	Bearing
3	3272-12	3	Pin-Cotter
4	42195	1	Pin-Clevis
5	3217-6	1	Nut-Hex
6	3253-4	1	Washer-Lock
7	3296-39	1	Nut-Lock, NI
9	93-6589	1	Brake Shaft ASM
10	100-8422-03	1	Bracket-Pedal
11	7-3900	1	Pad-Brake
12	323-7	1	Screw-HH
13	283-15	2	Pin-Clevis
14	3272-53	1	Pin-Cotter
15	93-6599-03	1	Catch ASM
16	42719	1	Pad-Pedal
17	93-6598-03	1	Brake Strap ASM
18	92-0417	2	Spring-Ext
19	93-6592	1	Bracket
20	3256-3	1	Washer-Flat
21	322-5	1	Screw-HH
22	522087	1	Rod-End
23	93-6595	1	Brake Equalizer ASM
24	3256-23	2	Washer-Flat
25	3272-10	2	Pin-Cotter

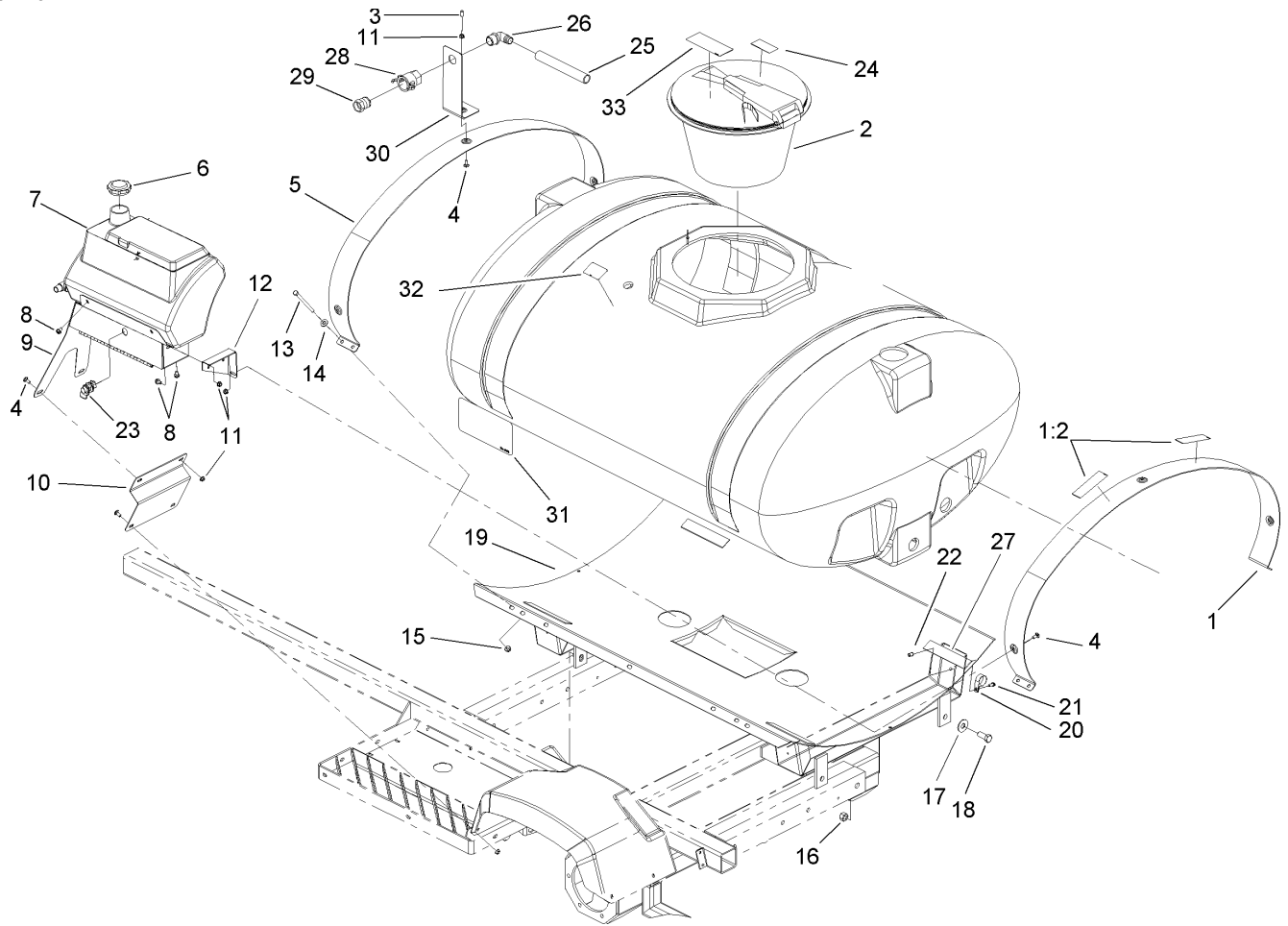
Ref	Part No.	Qty.	Description
26	283-58	2	Pin-Clevis
27	3253-17	2	Washer-Lock/sp
28	3217-26	2	Nut-Hex
29	104-9114	1	Cover-Switch, Foot
30	104-9113	1	Switch-Foot
31	32144-125	2	Screw-SHWH
32	65-7410	1	Switch-Pole, Single
33	3213-1	1	Screw-HH
34	3256-26	1	Washer-Flat



Frame, Fender and Battery Mount Assembly

Ref	Part No.	Qty.	Description
1	94-7074	1	Flare-Fender, RH
2	32105-13	12	Screw-SHH
3	322-5	8	Screw-HH
4	356303	8	Washer
5	94-8532	1	RH Fender ASM
5:1	93-6687	1	Decal-No Step
7	92-0479	1	Decal-Traction
8	94-7132	1	Decal-Brake Lock
9	104-8863	1	Tread-Floor
12	87-0430	1	Decal-Warning, Safety Start
13	94-8531	1	LH Fender ASM
13:1	93-6687	1	Decal-No Step
13:2	87-0580	1	Decal-Warning, Safety
13:4	94-7176	1	Decal-Warning, Braking
14	94-7075	1	Flare-Fender, LH
15	94-7071	2	Guard-Splash
16	92-3911	8	Screw-HSBH
17	42617	1	Cable-Ground
18	32128-20	17	Nut-HF
19	94-7127	2	Splash Guard ASM
19:1	114439	2	Rivet-Pop
19:2	94-7128-03	1	Plate-Guard, Splash
19:3	94-7129	1	Guard-Splash
20	3234-5	4	Screw

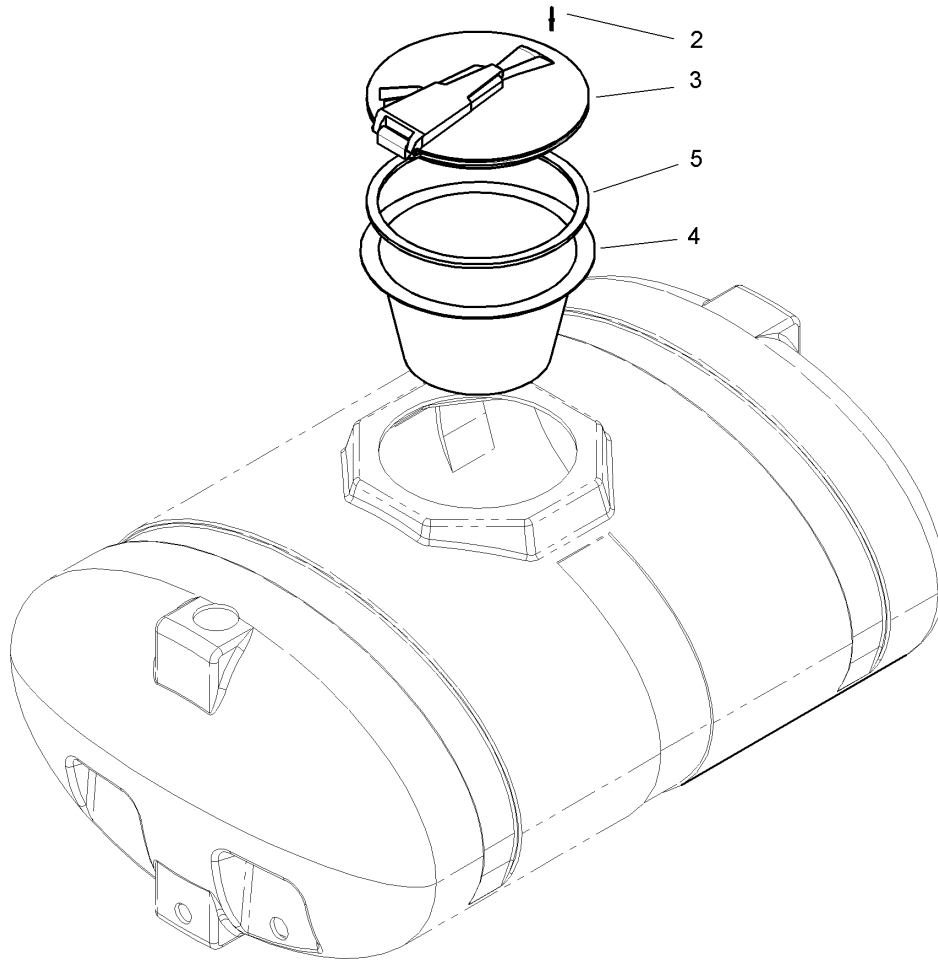
Ref	Part No.	Qty.	Description
21	93-6528-03	2	Strap-Mount, Fender
22	3230-2	12	Bolt-CARR
23	93-6498	2	Fender-Rear
24	99060	1	Cable-Ground
24:1	106-4915	1	Cap-Protective, Blue
25	322-9	1	Screw-HH
26	3256-3	1	Washer-Flat
27	66-2490	1	Retainer-Battery
28	41792	1	Cable-Battery, Solenoid
28:1	106-4913	1	Cap-Protective, Red
29	106-5190	1	Battery (Dry)
29:1	26-7170	1	Decal-Battery, Wisco
29:2	26-7180	1	Decal-Battery
30	3290-148	12	Nut-HF
32	3255-9	1	Washer-Lock, Ext
33	32128-43	1	Nut-Flange
34	323-6	1	Screw-HH
35	32128-33	8	Nut-HF
36	3253-4	8	Washer-Lock



Fresh Water and Spray Tank Assembly

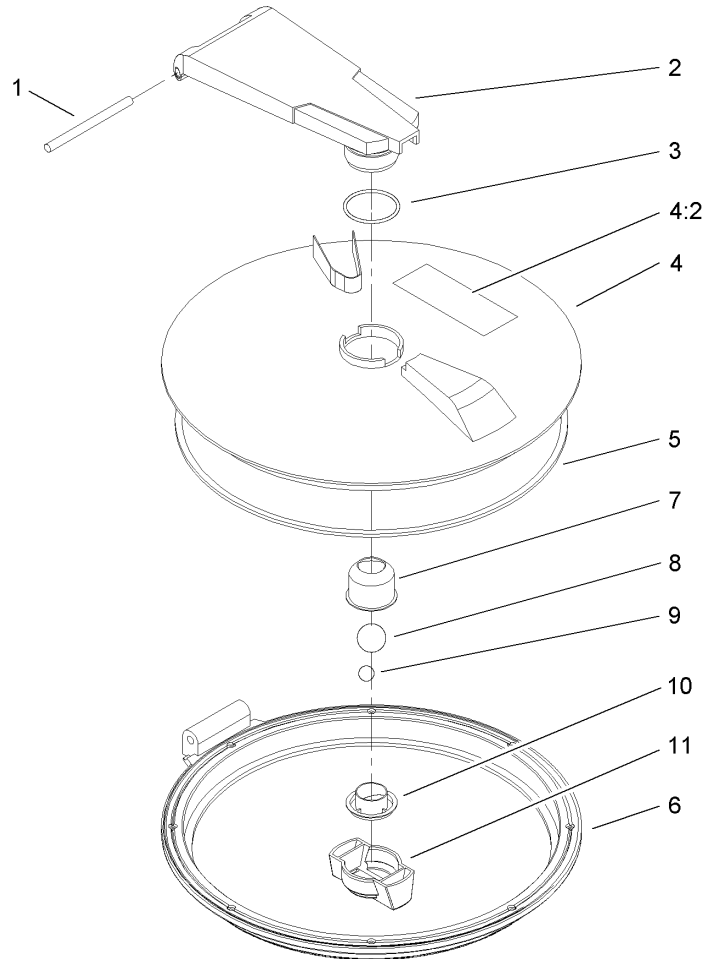
Ref	Part No.	Qty.	Description
1	106-4966	1	Tank Band ASM
1:2	106-5016	2	Decal-Caution, Electric Shock
2	106-5011	1	300 Gallon Tank ASM
3	42452	1	Cap-Protective
4	3230-1	4	Bolt-CARR
5	104-9126-03	1	Band-Tank Mounting
6	100-7008	1	Cap-Tank, Fresh Water
7	100-8438	1	Fresh Water Tank ASM
8	3234-28	6	Screw-HHF
9	104-8912-03	1	Tank Bracket ASM
10	104-9125-03	1	Bracket-Glove Box
11	32128-20	7	Nut-HF
12	104-9124-03	1	Mount-Tank, Plate
13	41809	8	Screw-HH
14	3256-4	8	Washer-Flat
15	104-8301	8	Nut-Flange, NI
16	3217-11	2	Nut-Hex
17	3256-7	2	Washer-Flat
18	327-4	2	Screw-HH
19	93-6497-03	1	Tank Saddle ASM
20	2412-74	1	R-Clamp
21	3234-4	1	Screw-HHF
22	32148-6	1	Insert-Nut
23	104-8914	1	Latch-Storage Box

Ref	Part No.	Qty.	Description
24	106-1355	1	Decal-No Tank Entry
25	104-9075	1	Hose-Siphon, Anti
26	41140	1	Elbow
27	104-7102	4	Pad-Battery
28	100-6779	1	Coupling-Female
29	41316	1	Adapter-Quick
30	104-9122-03	1	Bracket-Siphon, Anti
31	104-9166	2	Decal-Tank, 300 Gallon
32	106-5065	1	Decal-Tank Drain
33	93-0688	1	Decal-Warning, Chemical



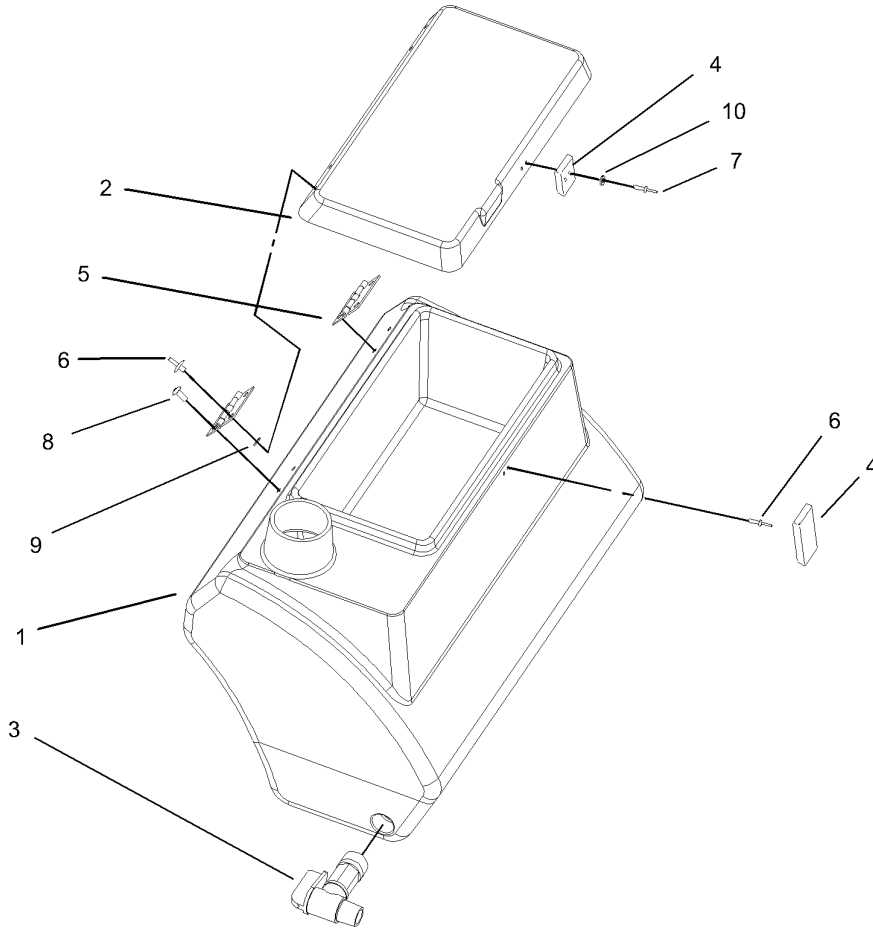
300 Gallon Tank Assembly No. 106-5011

Ref	Part No.	Qty.	Description				
2	93-0833	8	Rivet				
3		8	1				
4	104-9051	1	Basket-Strainer				
5	106-4991	1	Seal-Lid				



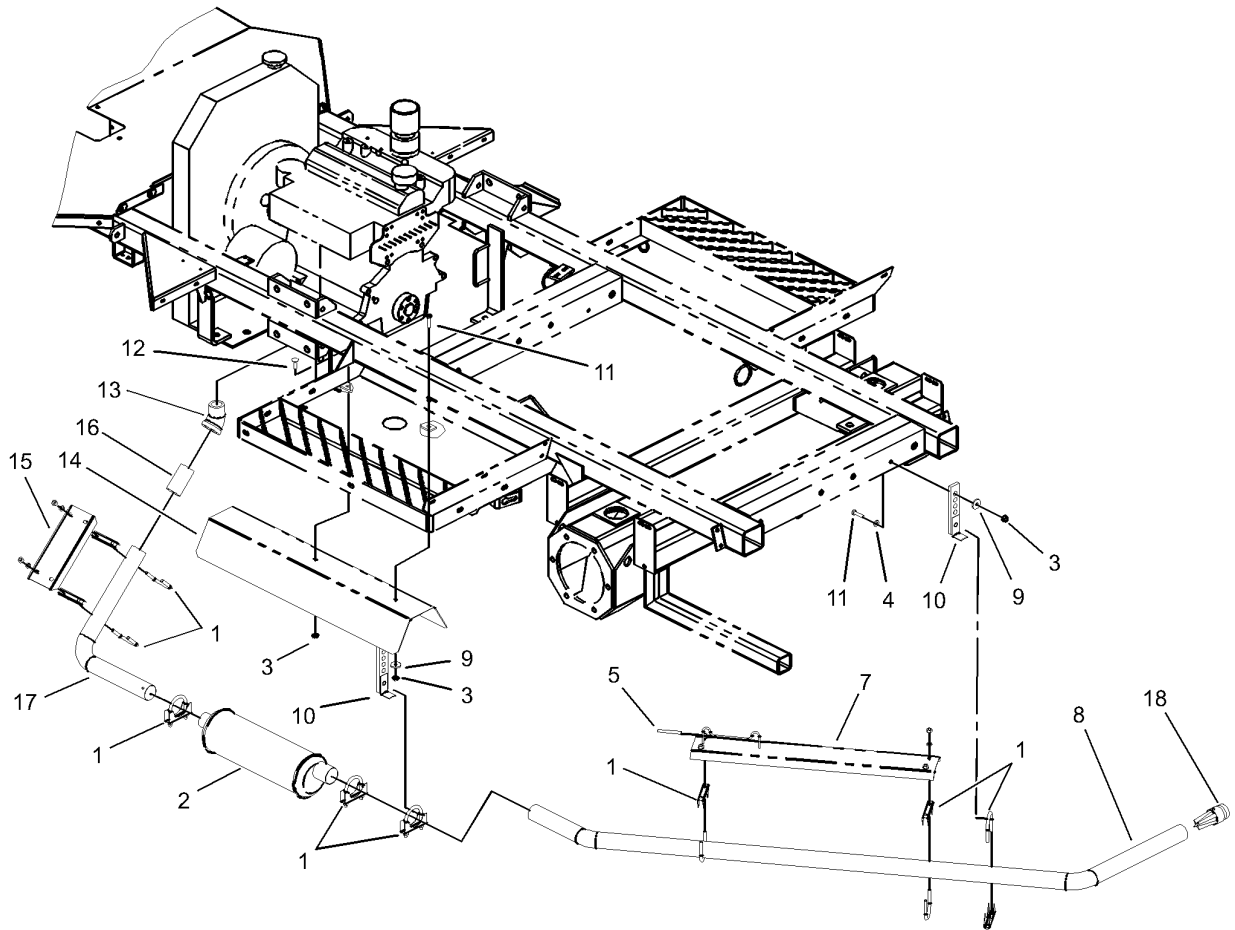
Lid Assembly

Ref	Part No.	Qty.	Description				
1	106-5000	1	Pin-Pivot				
2	106-5001	1	Arm				
3	106-5002	1	O-Ring				
4	106-1369	1	Lid				
4:2	93-0688	1	Decal-Warning, Chemical				
5	106-5004	1	Seal-Lid				
6	106-5005	1	Ring				
7	106-5006	1	Cup-Vent				
8	106-5007	1	Ball-Floating				
9	106-5008	1	Ball-Weight				
10	106-5009	1	Holder-Ball				
11	106-5010	1	Nut-Wing				



Fresh Water Tank Assembly No. 100-8438

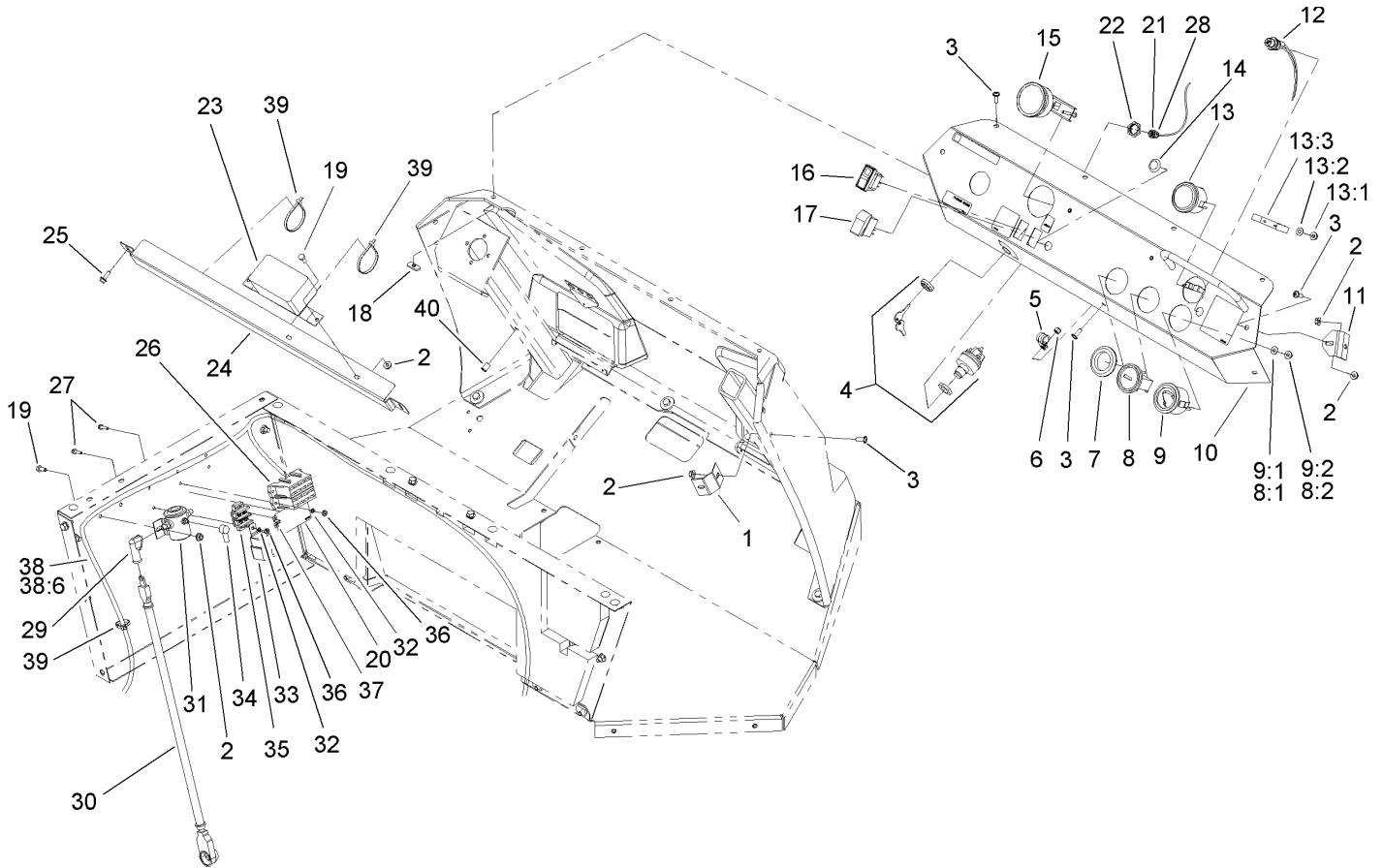
Ref	Part No.	Qty.	Description
1		1	Tank-Water, Fresh
2	100-8397	1	Cover-Tank
3	100-7011	1	Spigot-90 DEG
4	100-7009	1	Latch-Draw
5	100-7010	2	Hinge
6	100-7062	4	Rivet
7	100-7063	4	Rivet
8	100-7064	4	Screw
9	100-7065	4	Washer
10	100-7066	2	Washer



Exhaust Assembly

Ref	Part No.	Qty.	Description
1	18-2130	8	Clamp
2	42622	1	Muffler
3	32128-20	3	Nut-HF
4	3256-23	1	Washer-Flat
5	92-5782	3	Tape-Foil
7	104-9135-03	1	Tailpipe Shield ASM
8	104-9138	1	Tailpipe
9	356303	2	Washer
10	41912	2	Hanger-Tail Pipe
11	322-6	2	Screw-HH
12	3230-2	1	Bolt-CARR
13	106-4912	1	Elbow-Street, 45 DEG
14	94-7070-03	1	Shield-Heat
15	94-7189-03	1	Shield-Heat
16	92-0016	1	Nipple-Pipe
17	42623	1	Pipe-Exhaust
18	106-4986	1	Arrestor-Spark

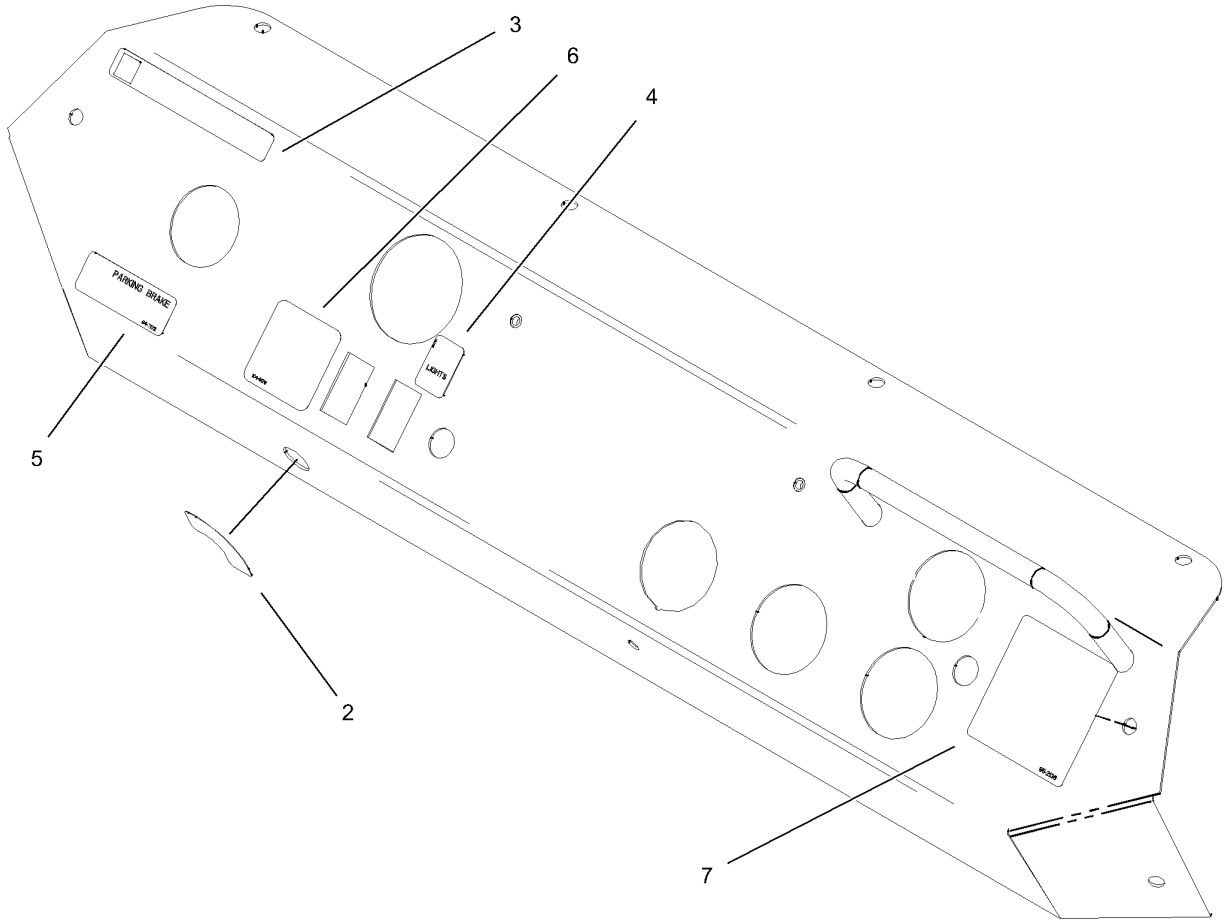
--	--	--	--



Dash and Instrument Assembly

Ref	Part No.	Qty.	Description
1	94-7140-03	2	Clip-Dash, Lower
2	32128-33	12	Nut-HF
3	92-3911	13	Screw-HSBH
4	42607	1	Switch ASM W/keys
5	2412-134	1	R-Clamp
6	3296-42	1	Nut-Lock, NI
7	40764	1	Grommet
8	66-2950	1	Gauge-Hourmeter
8:1	3255-20	2	Washer-Lock
8:2	3217-25	2	Nut-Hex
9	105-2540	1	Gauge-Temp, Gas
9:1	3254-1	3	Washer-Lock, Int
9:2	3217-27	3	Nut-Hex
9:3	105-9265	1	Bulb And Lamp ASM
10	104-9105	1	Dash Panel ASM
11	94-7139-03	2	Clip-Dash, Upper
12	42609	1	Light-Low Oil
13	98-2160	1	Voltmeter
13:1	3217-27	1	Nut-Hex
13:2	3255-25	1	Washer-Lock
13:3	78-0080	1	Clamp-Mounting
14	94-7290	1	Plug-Hole
15	104-9115	1	Gauge-Pressure
16	104-9007	1	Switch-Rocker

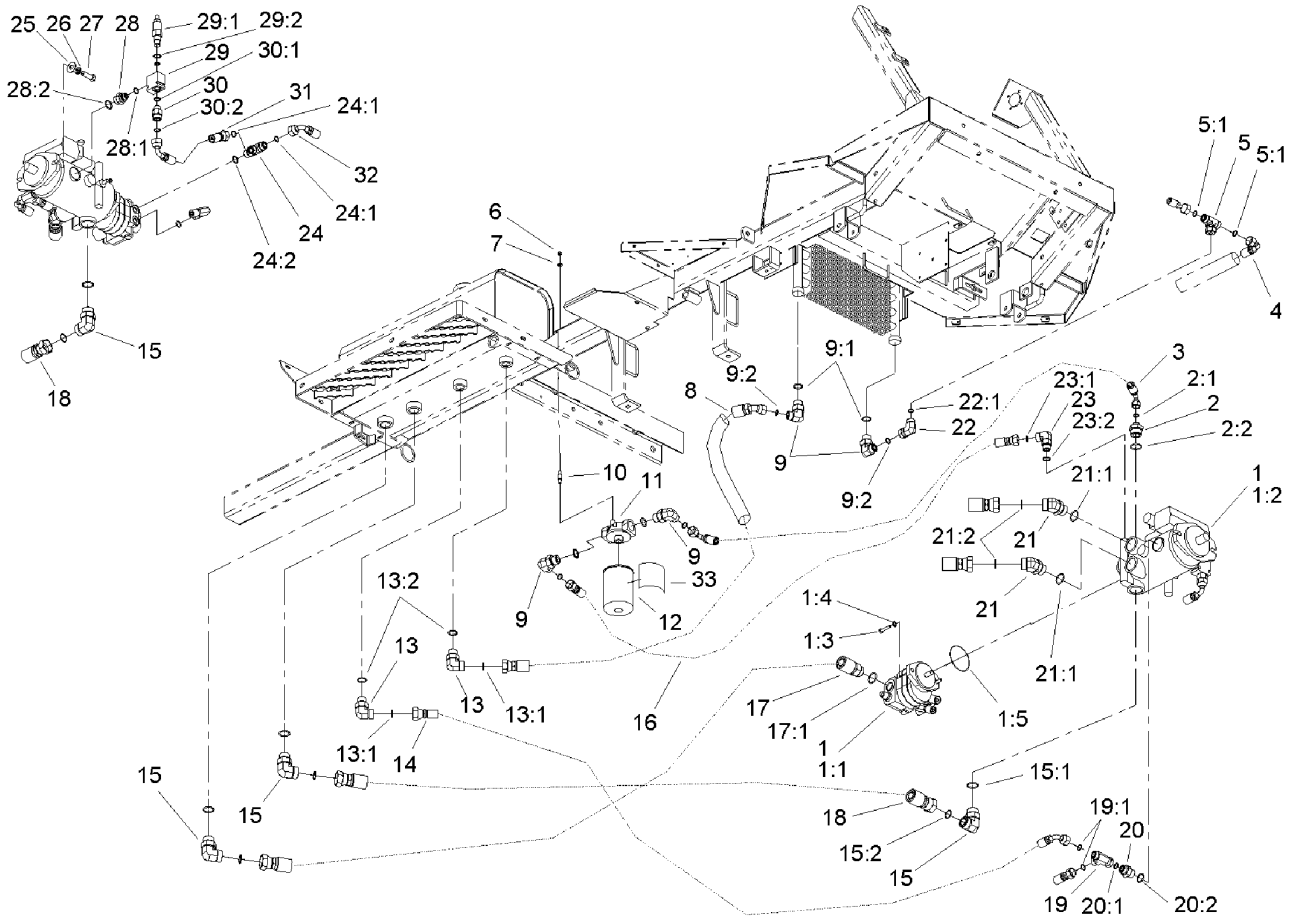
Ref	Part No.	Qty.	Description
17	100-8469	1	Switch-Rocker
18	904156	4	Weldnut
19	321-3	4	Screw-HH
20	106-4992	1	Decal-Fuse Block
21	100-8665	1	Reducer-Gauge, Pressure
22	100-8666	1	Nut-Reducer
23	104-9104	1	Module-Valve, Pwm
24	104-9146-03	1	Plate-Shield, Head Light
25	3234-4	2	Screw-HHF
26	106-5036	1	Harness-Wire
27	32105-13	6	Screw-SHH
28	100-8667	1	Coupler-Reducer
29	92-0034	2	Boot-Terminal
30	94-7092	1	Cable
31	94-7079	1	Solenoid-Accessory
32	3253-17	6	Washer-Lock/sp
33	70-1480	1	Relay
34	41187	1	Boot-Terminal
35	42862	1	Block-Terminal, Ground
36	3217-26	6	Nut-Hex
37	42863	1	Strip-Jumper
38	104-9172	1	Harness-Wire, Spray System
38:6	106-4985	1	Tube-Pressure
39	3290-379	24	Tie-Cable



Dash Panel Assembly No. 104-9105

Ref	Part No.	Qty.	Description
2	41176	1	Decal-Ignition, Switch
3	65-3090	1	Decal-Instruction
4	94-7171	1	Decal-Headlight
5	94-7172	1	Decal-Instruction, Parking Brake
6	104-9129	1	Decal-Traction Pedal
7	95-2136	1	Decal-Warning, Run-Over

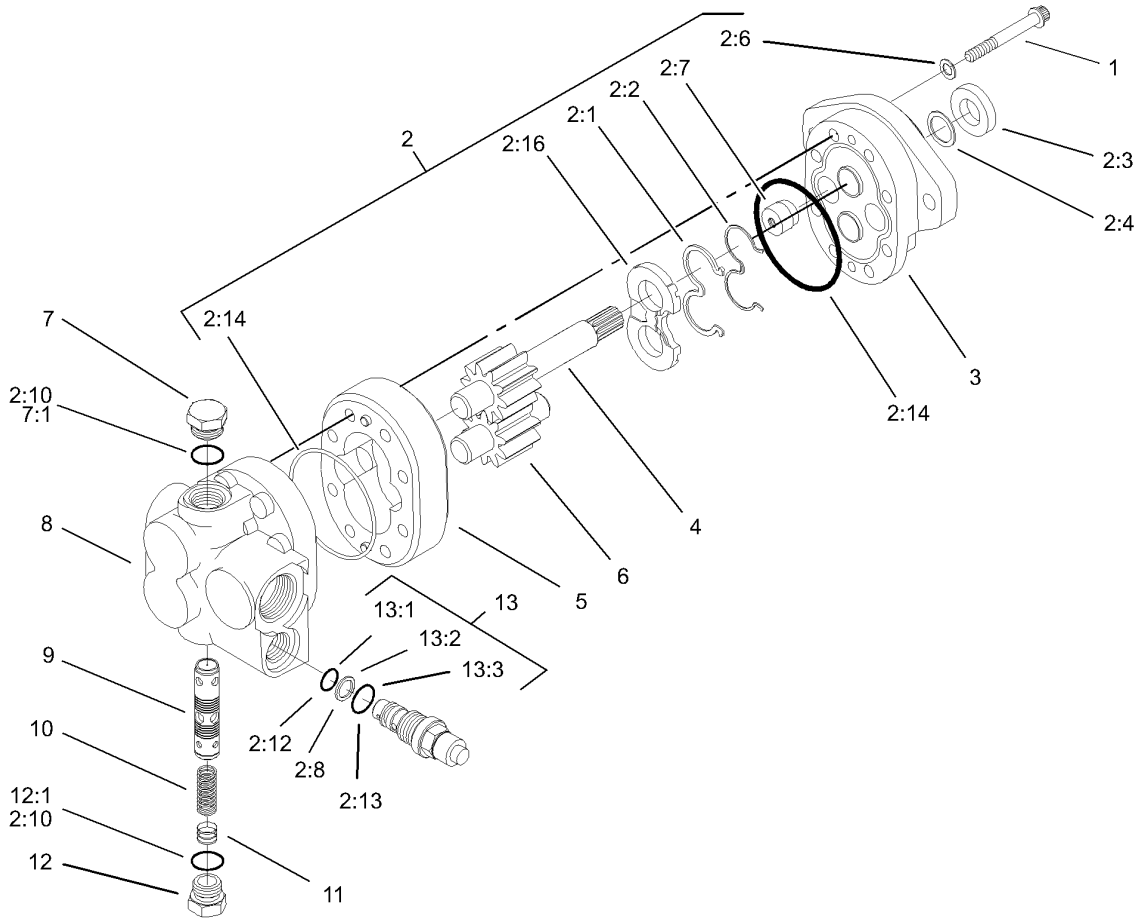
--	--	--	--



Hydraulic Pump Assembly

Ref	Part No.	Qty.	Description
1	93-6490	1	Pump ASM
1:1	93-6492	1	Gear Pump ASM
1:2	93-6491	1	Piston Pump ASM
1:3	323-7	2	Screw-HH
1:4	60-3540	2	Washer
1:5	60-3520	1	O-Ring
2	104-9178	1	Fitting-Straight
2:1	237-30	1	O-Ring
2:2	237-146	1	O-Ring
3	104-9191	1	Hose ASM
4	104-9184	1	Hose ASM
5	340-167	1	Fitting-Hyd, Tee
5:1	237-65	2	O-Ring
6	3217-5	2	Nut-Hex
7	3256-22	2	Washer-Flat
8	104-9189	1	Hose ASM
9	340-139	4	Fitting-Hyd, 90 DEG
9:1	237-81	1	O-Ring
9:2	237-65	1	O-Ring
10	94-7188	2	Mount-Isolation, Filter
11	92-5821	1	Filter Head ASM
12	86-3010	2	Filter-Oil
13	340-142	2	Fitting-Hyd, 90 DEG
13:1	237-58	1	O-Ring

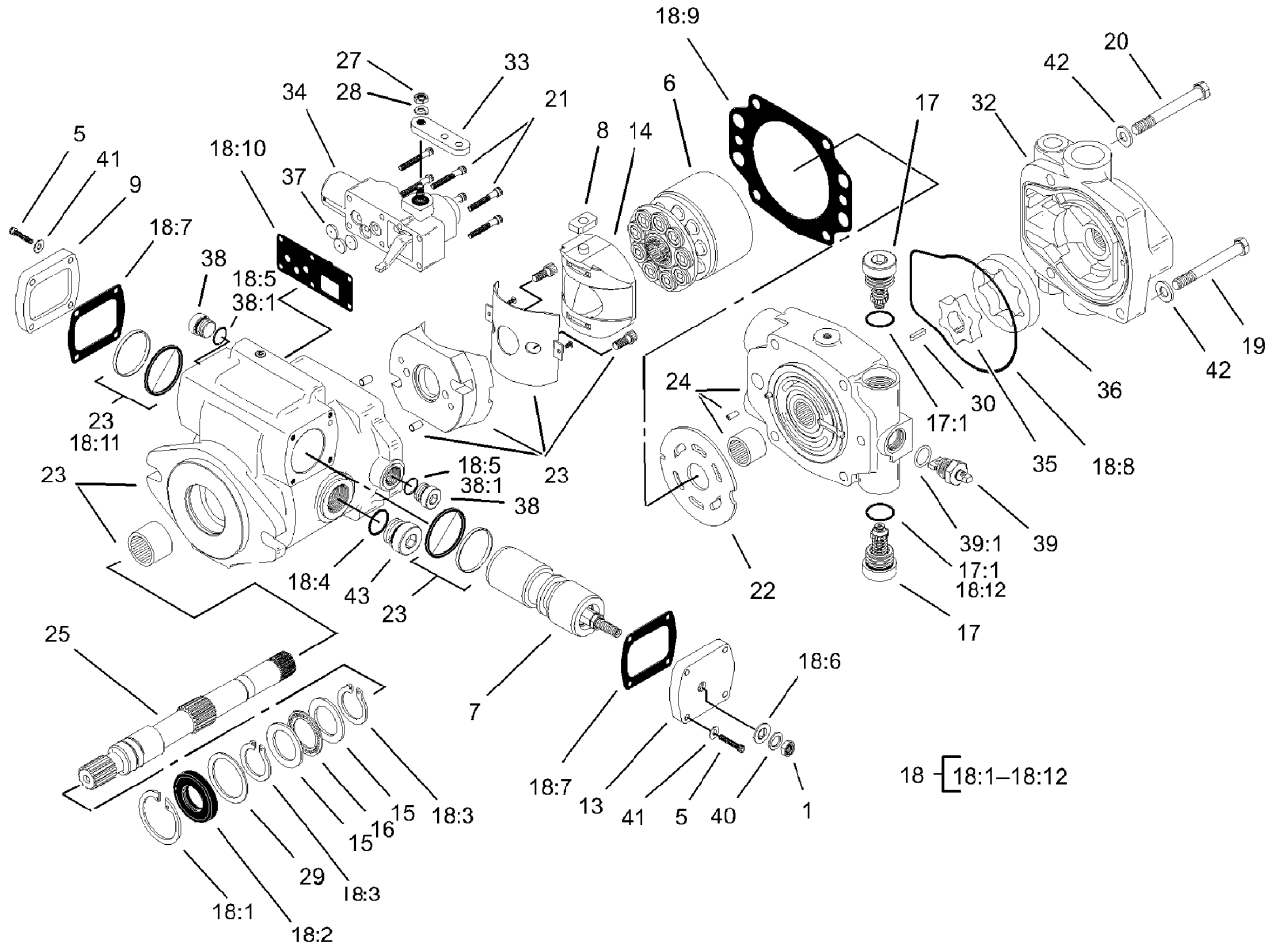
Ref	Part No.	Qty.	Description
13:2	237-81	1	O-Ring
14	104-9199	1	Hose ASM
15	340-129	3	Fitting-Hyd, 90 DEG
15:1	237-146	1	O-Ring
15:2	340-65	1	O-Ring
16	104-9192	1	Hose ASM
17	104-9194	1	Hose ASM
17:1	237-146	1	O-Ring
18	104-9190	1	Hose ASM
19	340-147	1	Fitting-Hyd, Tee
19:1	237-65	2	O-Ring
20	340-8	1	Adapter
20:1	237-65	1	O-Ring
20:2	237-81	1	O-Ring
21	104-3509	2	Fitting-Hyd, 45 DEG
21:1	237-146	1	O-Ring
21:2	340-65	1	O-Ring
22	340-160	1	Fitting-Hyd, 90 DEG
22:1	237-65	1	O-Ring
23	340-17	1	Fitting-Hyd, 90 DEG
23:1	237-65	1	O-Ring
23:2	237-80	1	O-Ring
24	340-22	1	Fitting-Hyd, Tee
24:1	237-65	2	O-Ring



Gear Pump Assembly No. 93-6492

Ref	Part No.	Qty.	Description
1	74-9370	8	Capscrew
2	99-8594	1	Seal Kit
2:1	95-4367	1	Gasket
2:2	95-4369	1	Seal
2:3	49-2640	1	Seal-Shaft
2:4	60-5890	1	Washer
2:6	94-8160	4	Washer
2:7	94-3011	1	Plug
2:8	92-9256	1	Washer-Backup
2:9		1	O-Ring
2:10	60-5720	2	O-Ring
2:11		1	O-Ring
2:12	92-9255	1	O-Ring
2:13	92-9254	1	O-Ring
2:14	56-6710	2	O-Ring
2:16	95-4368	1	Plate-Wear
3	95-4362	1	Plate-Front
4		1	Gear-Drive
5		1	Body
6		1	Gear-Idler
7	60-5860	1	Plug
7:1	60-5720	1	O-Ring
8	93-6377	1	Backplate ASM
9	93-6420	1	Spool

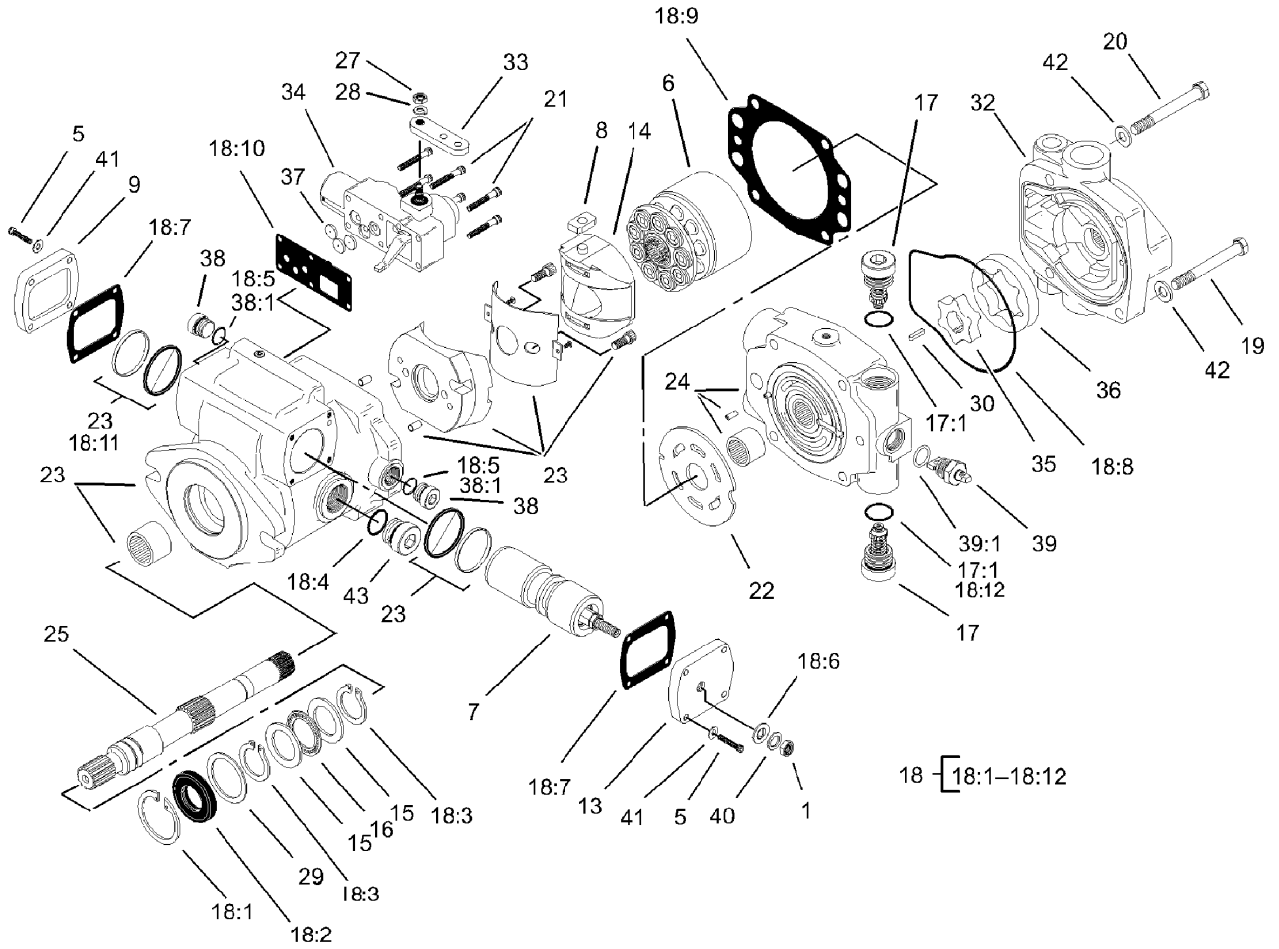
Ref	Part No.	Qty.	Description
10	88-3770	1	Spring
11	60-5730	1	Disc
12	60-5710	1	Plug
12:1	60-5720	1	O-Ring
13	74-9000	1	Relief Valve ASM
13:1	92-9255	1	O-Ring
13:2	92-9256	1	Washer-Backup
13:3	92-9254	1	O-Ring



Piston Pump Assembly No. 93-6491

Ref	Part No.	Qty.	Description
1	3220-3	1	Nut-Jam
5	93-6337	8	Screw
6	93-6322	1	Rotating Kit
7	105-2856	1	Servo Piston ASM
8	94-3032	1	Follower-Piston
9	94-3033	1	Plate-Cover
13	105-9853	1	Plate-Cover
14	94-3026	1	Camplate ASM
15	76-6950	2	Race-Thrust
16	76-6960	1	Bearing-Thrust
17	105-2858	2	Valve-Relief
17:1		1	O-Ring
18	107-1561	1	Seal Kit
18:1	60-6260	1	Ring
18:2	105-3331	1	Seal-Shaft
18:3	76-7000	2	Ring-Retaining
18:4		2	O-Ring
18:5	93-6314	2	O Ring
18:6	94-3027	1	Washer-Seal
18:7	93-6339	2	Gasket
18:8	93-6376	1	O Ring
18:9	105-2900	1	Gasket-Housing
18:10	105-2901	1	Gasket-Housing, Control
18:11		2	Seal ASM

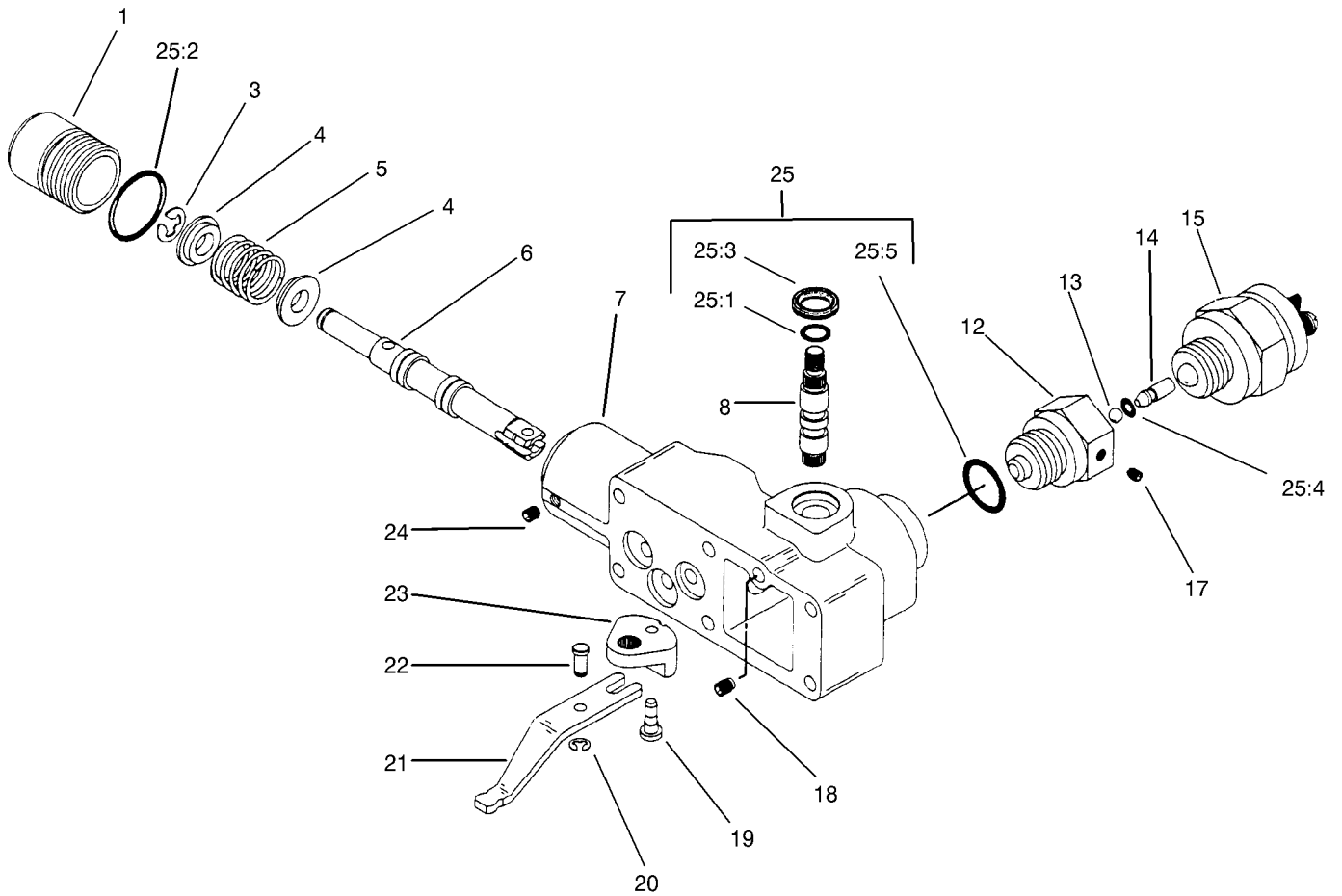
Ref	Part No.	Qty.	Description
18:12	74-9380	1	O-Ring
19	323-15	2	Screw-HH
20	323-16	2	Screw-HH
21	93-6324	6	Screw
22	93-6370	1	Plate-Valve
23		1	Housing
24	105-2904	1	Backplate
25	93-6344	1	Driveshaft
27	3217-5	1	Nut-Hex
28	3253-3	1	Washer-Lock
29	60-6240	1	Washer
30	93-6375	1	Key
32	95-2110	1	Adaptor ASM
33	105-2862	1	Arm-Control
34	93-6306	1	Control ASM
35	93-6365	1	Geroter-Inner
36	93-6364	1	Geroter-Outer
37	94-3041	3	Orifice-Control
38	74-9280	2	Plug ASM
38:1		1	O-Ring
39	105-2913	1	Valve-Bypass
39:1		1	O-Ring
40	94-3030	1	Washer
41	93-6336	8	Washer



Piston Pump Assembly No. 93-6491 (continued)

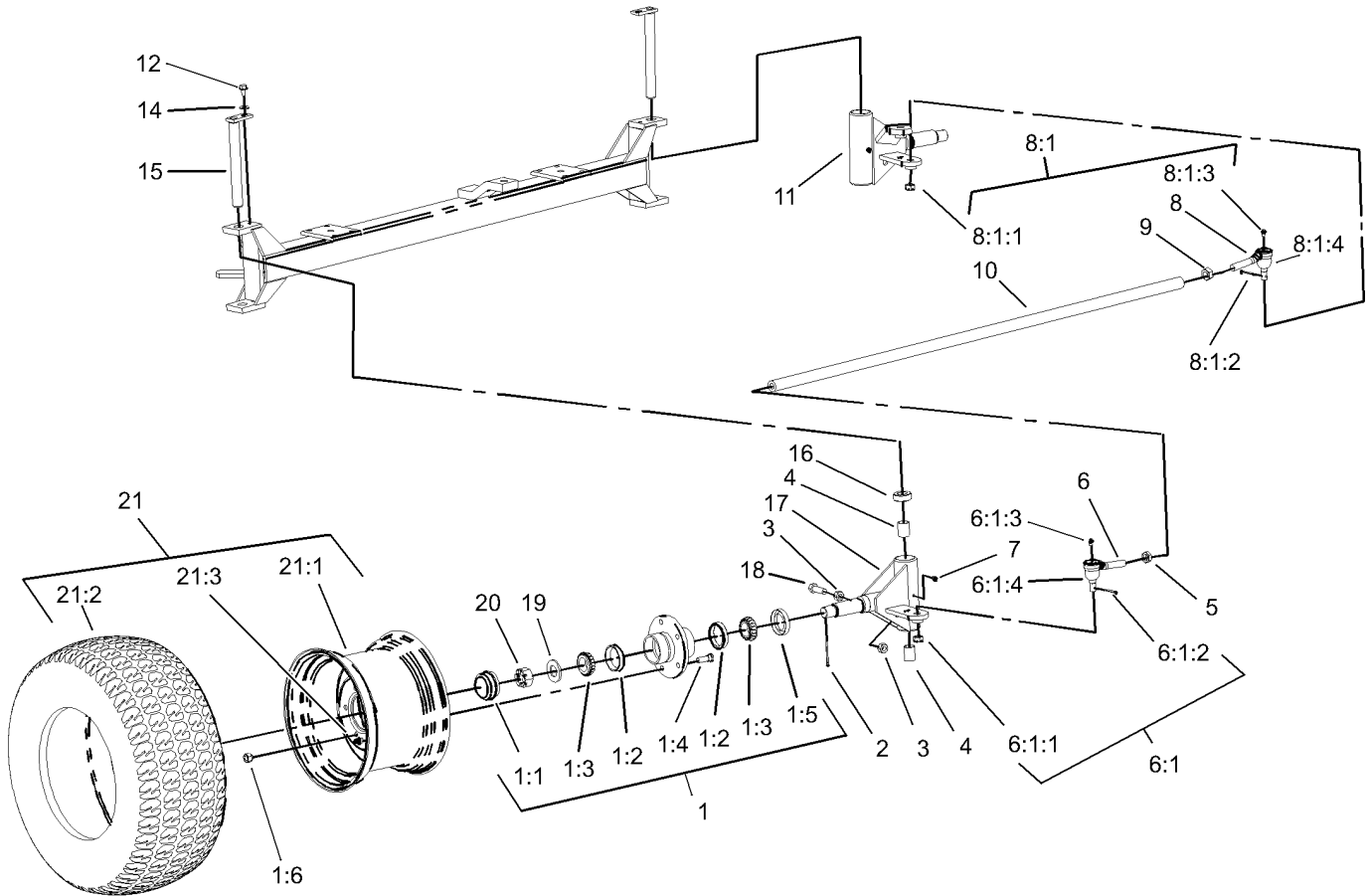
Ref	Part No.	Qty.	Description
42	3256-24	4	Washer-Flat
43		1	Plug ASM

--	--	--	--



Control Assembly No. 93-6306

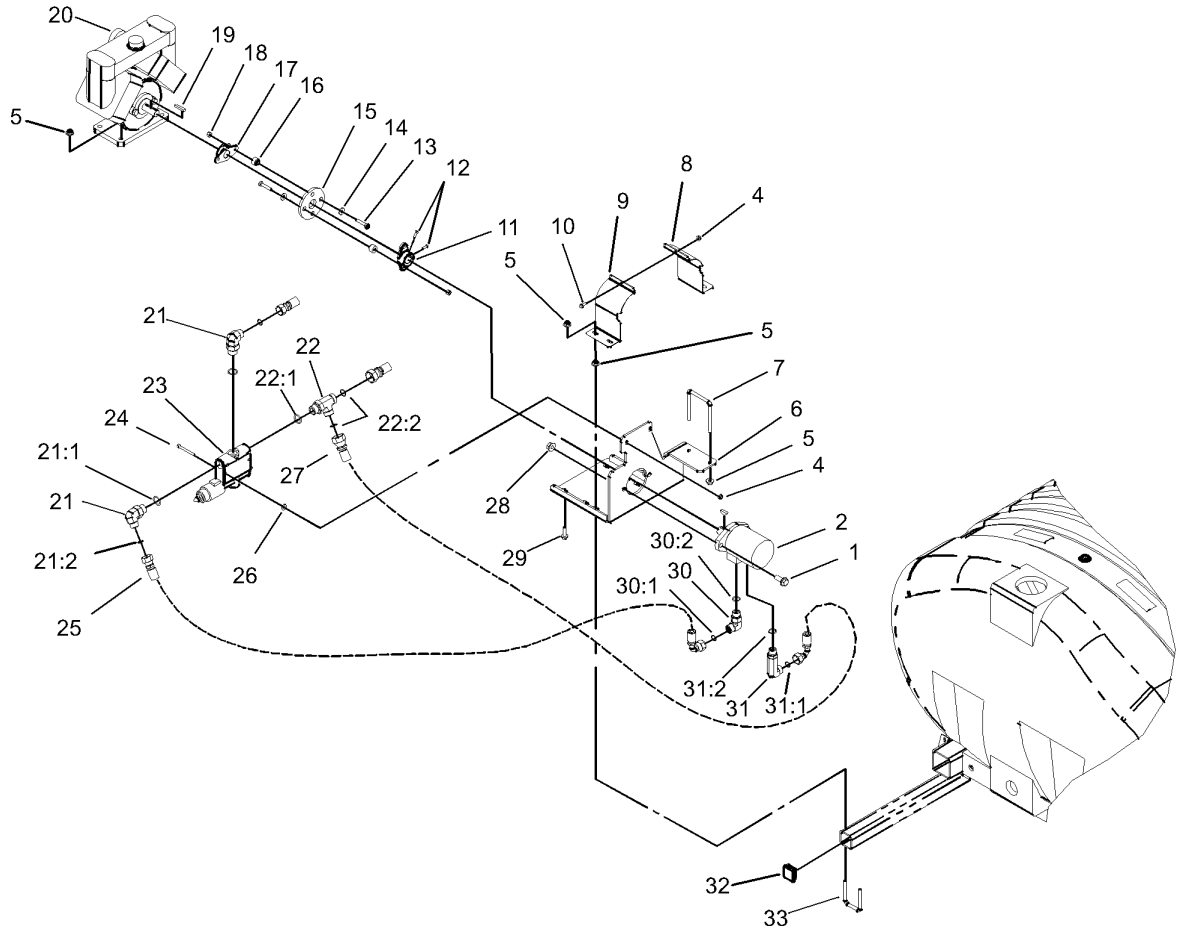
Ref	Part No.	Qty.	Description
1		1	Plug
3		1	Ring-Retaining
4		2	Retainer-Spring
5		1	Spring
6		1	Valve-Spool
7		1	Housing-Control
8		1	Shaft-Input
12		1	Adaptor
13		1	Ball
14		1	Pin
15	94-3043	1	Switch-Safety, Neutral
17		1	Screw-Set
18		1	Screw-Set
19		1	Pin
20		1	Ring-Retaining
21		1	Link
22		1	Pin-Dowel
23		1	Crank-Bell
24		1	Screw-Set
25	94-3044	1	Seal Kit
25:1		1	O-Ring
25:2		1	O-Ring
25:3		1	Seal-Wiper
25:4		1	O-Ring
25:5		1	O-Ring



Front Wheel Assembly

Ref	Part No.	Qty.	Description
1	94-7148	2	Hub ASM
1:1	94-7282	1	Cap-Dust
1:2	254-61	2	Bearing-Cup
1:3	94-7283	2	Bearing-Cone
1:4	95-9383	5	Stud
1:5	94-7285	2	Seal
1:6	242-35	5	Nut-Wheel
2	3272-15	2	Pin-Cotter
3	3217-9	4	Nut-Hex
4	93-6586	4	Bushing
5	3220-11	1	Nut-Jam
6	87-1480	1	RH Tie Rod End ASM
6:1	87-5340	1	Tie Rod Seal Kit
6:1:1	32136-3	1	Nut
6:1:2	3272-12	1	Pin-Cotter
6:1:3	302-5	1	Fitting-Grease
6:1:4	107-1587	1	Seal
7	302-5	2	Fitting-Grease
8	87-1470	1	LH Tie Rod End ASM
8:1	87-5340	1	Tie Rod Seal Kit
8:1:1	32136-3	1	Nut
8:1:2	3272-12	1	Pin-Cotter
8:1:3	302-5	1	Fitting-Grease
8:1:4	107-1587	1	Seal

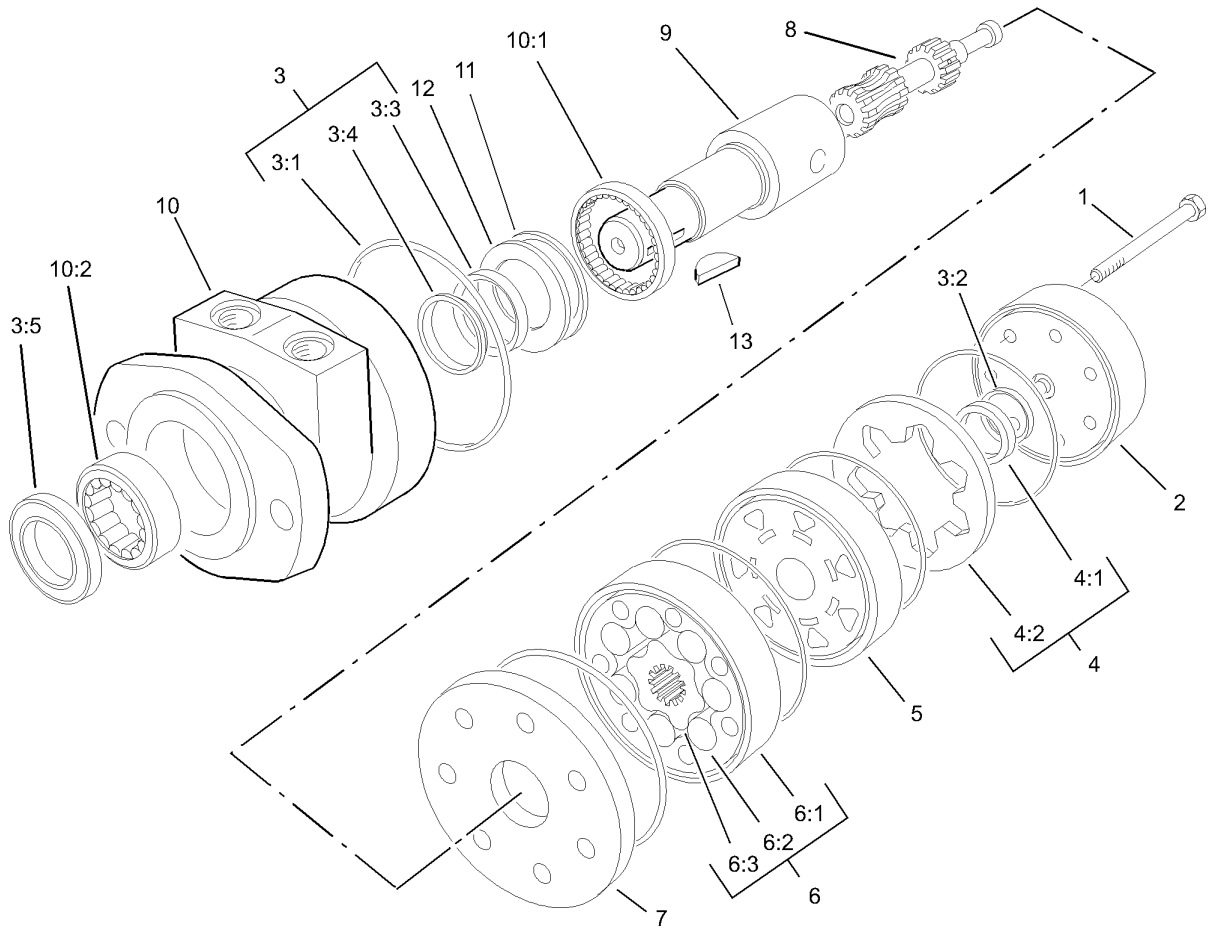
Ref	Part No.	Qty.	Description
9	3218-21	1	Nut-Jam
10	93-6588	1	Rod-Steering
11	93-6577-03	1	LH Spindle ASM
12	32144-14	2	Screw-HWH
14	3256-3	2	Washer-Flat
15	93-6584	2	King Pin ASM
16	93-6587	2	Bearing
17	93-6582-03	1	RH Spindle ASM
18	325-6	2	Screw-HH
19	3256-62	2	Washer-Flat
20	32136-11	2	Nut-Hex, Slot
21		2	Tire And Wheel ASM
21:1	41169	1	Wheel
21:2	42330	1	Tire
21:3	232-27	1	Stem-Valve



Pump Drive Assembly

Ref	Part No.	Qty.	Description
1	3234-32	2	Screw-HHF
2	104-9099	1	Pump-Spray, Motor
4	32128-33	3	Nut-HF
5	32128-43	14	Nut-Flange
6	106-1219-03	1	Pump Bracket ASM
7	100-7067	1	U-Bolt
8	104-9080-03	1	Plate-Guard, Front
9	104-9081-03	1	Plate-Guard, Rear
10	3234-4	1	Screw-HHF
11	27-1960	1	Hub-Engine
12	3241-5	4	Screw-Set
13	322-8	4	Screw-HH
14	3256-3	4	Washer-Flat
15	100-8471	1	Coupling-Rubber
16	27-6590	4	Spacer-Coupling, Rubber
17	93-2589	1	Hub-Pump
18	3296-29	4	Nut-Lock, NI
19	67-7490	1	Key-Square
20	106-5121	1	Pump
21	340-139	2	Fitting-Hyd, 90 DEG
21:1	237-81	1	O-Ring
21:2	237-65	1	O-Ring
22	340-148	1	Fitting-Tee
22:1	237-81	1	O-Ring

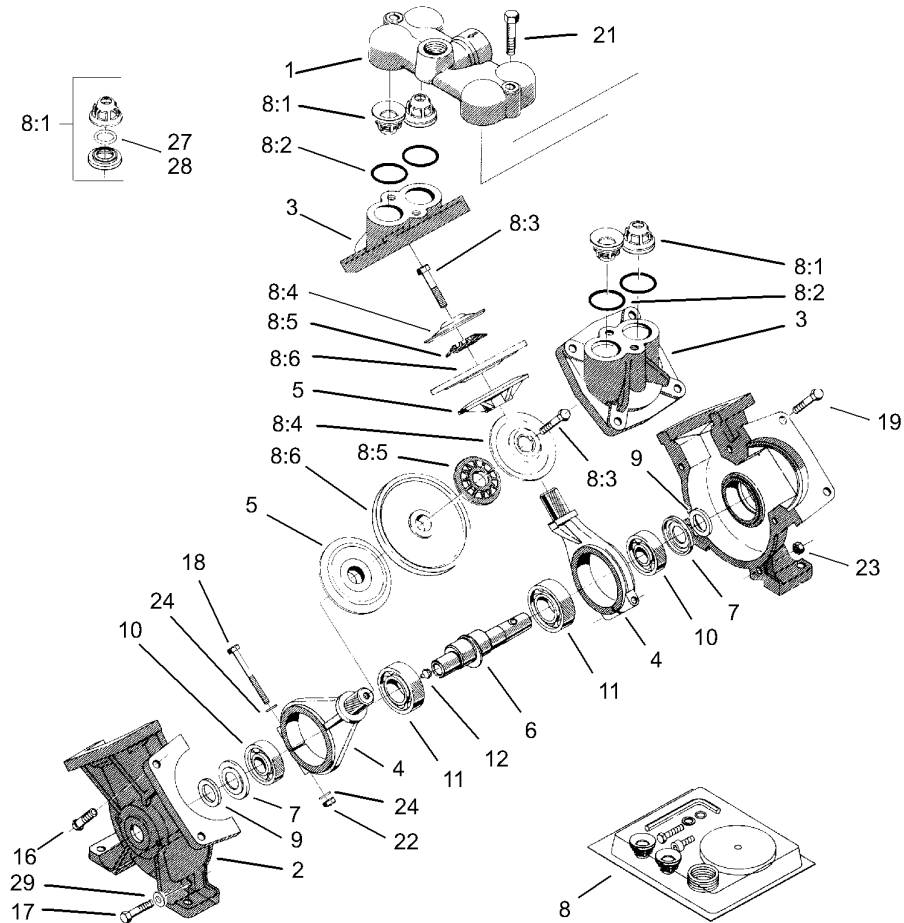
Ref	Part No.	Qty.	Description
22:2	237-58	2	O-Ring
23	104-9110	1	Valve-Pwm
24	321-15	2	Screw-HH
25	104-9181	1	Hose ASM
26	3256-2	2	Washer-Flat
27	104-9179	1	Hose ASM
28	32128-49	2	Nut-HHF
29	3234-24	4	Screw-HHF
30	340-17	1	Fitting-Hyd, 90 DEG
30:1	237-65	1	O-Ring
30:2	237-80	1	O-Ring
31	104-9074	1	Fitting-Elbow, 90 DEG
31:1	237-65	1	O-Ring
31:2	237-80	1	O-Ring
32	95-9495	1	Cap
33	104-9082	2	U- Bolt



Spray Pump Assembly No. 104-9099

Ref	Part No.	Qty.	Description
1	322-33	5	Screw-HH
2	106-1981	1	Cover-End
3	106-1989	1	Seal Kit
②3:1		6	Seal-Ring
②3:2		1	Seal-Commutator
②3:3		1	Seal-Inner
②3:4		1	Washer-Backup
②3:5		1	Seal-Dirt & Water
4	106-1982	1	Commutator ASM
②4:1		1	Commutator
②4:2		1	Ring-Commutator
5	106-1983	1	Manifold
6	107-1565	1	Rotor Set
②6:1		1	Stator
②6:2		7	Vane
②6:3		1	Rotor
7	106-1985	1	Plate-Wear
8	107-1564	1	Link-Drive
9	107-1567	1	Shaft-Coupling
10	107-1566	1	Housing ASM
②10:1		1	Bearing
②10:2		1	Bearing
②11		1	Bearing-Thrust
②12		1	Washer-Thrust

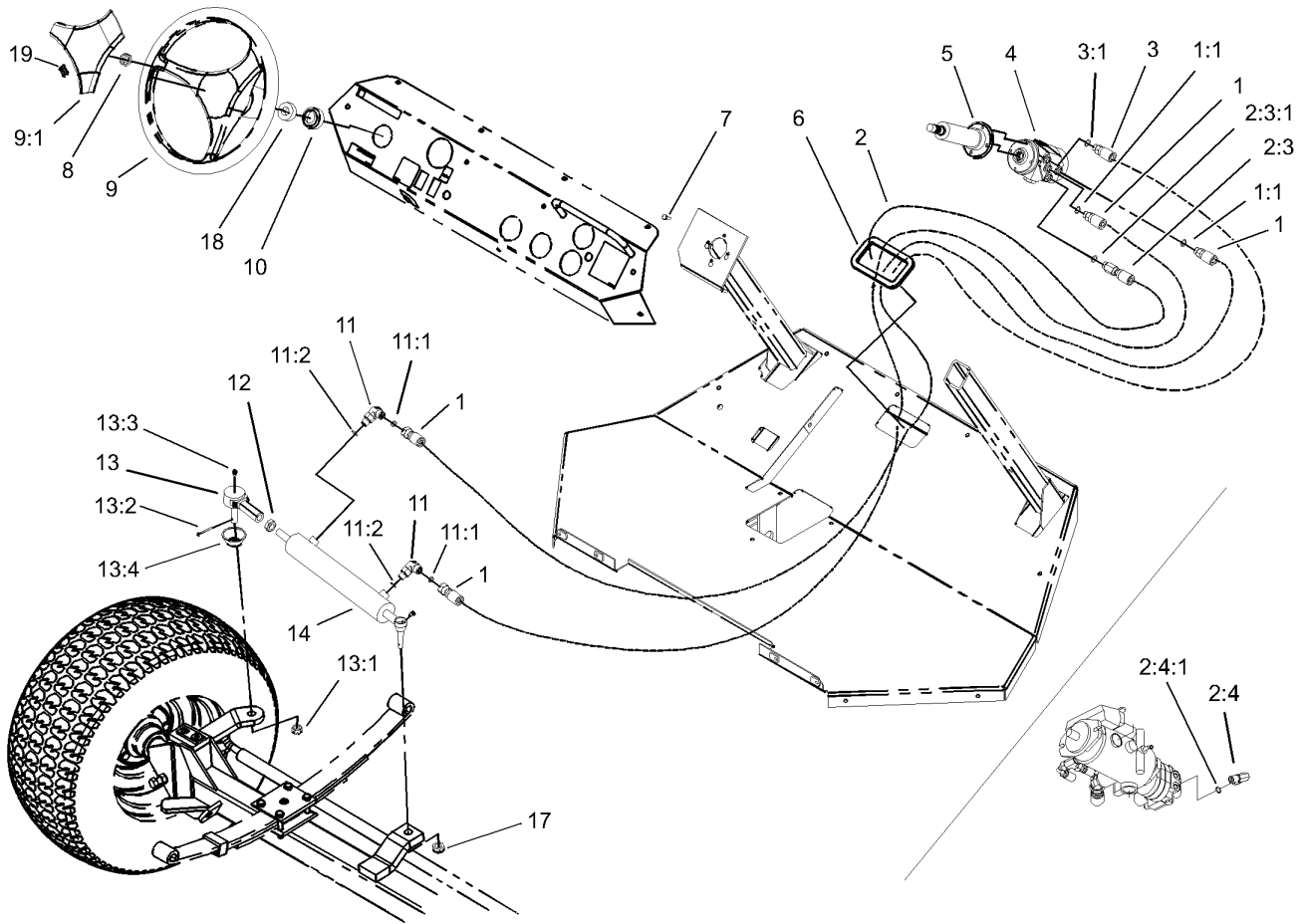
Ref	Part No.	Qty.	Description
13	106-1990	1	Key-Woodruff



Pump Assembly No. 106-5121

Ref	Part No.	Qty.	Description
1	106-5139	1	Cover-Valve
2	106-5140	2	Housing-Pump
3	106-5141	2	Cover-Diaphragm
4	106-5142	2	Rod-Connecting
5	100-8314	2	Disc-Back, Diaphragm
6	104-9052	1	Crankshaft-Keyed
7	100-8325	2	Plate-Dust
8	106-5150	1	Repair Kit
8:1	100-8307	4	Valve
8:2	100-6652	4	Gasket
8:3	106-5147	2	Bolt
8:4	100-8311	2	Washer
8:5	100-8312	2	Washer-Nylon
8:6	100-8313	2	Diaphragm
9	99-0868	2	Felt-Seal
10	100-8327	2	Bearing-Ball
11	100-8329	2	Bearing-Ball
12	99-0873	1	Fitting-Grease
16	106-5143	3	Bolt
17	106-5144	2	Bolt
18	106-5145	2	Bolt
19	106-5146	8	Bolt
21	106-5148	2	Bolt
22	100-8326	2	Nut-Hex

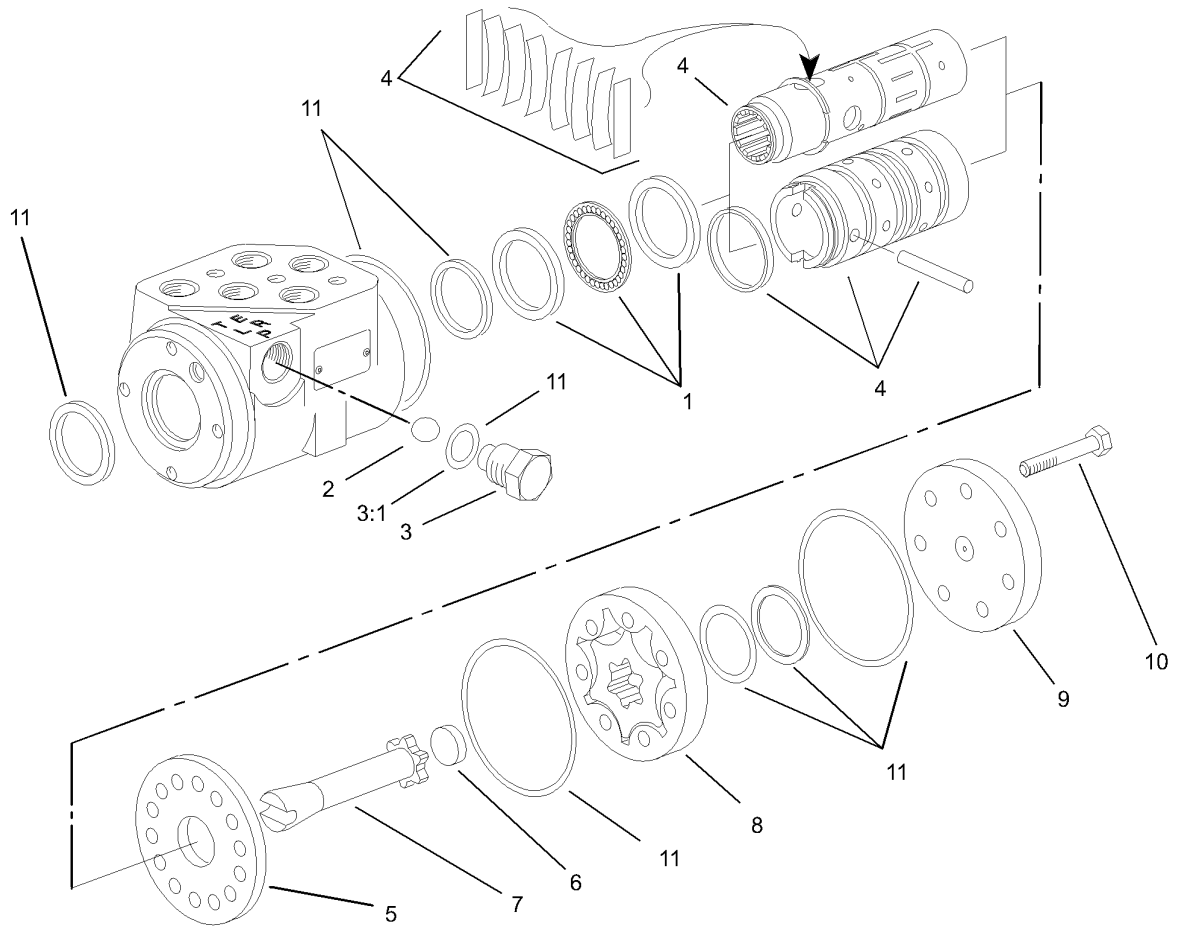
Ref	Part No.	Qty.	Description
23	106-5149	5	Nut
24	100-8316	4	Washer-Lock
27	100-8336	4	O-Ring
28	106-5138	4	O-Ring
29	106-5137	2	Washer



Steering Assembly

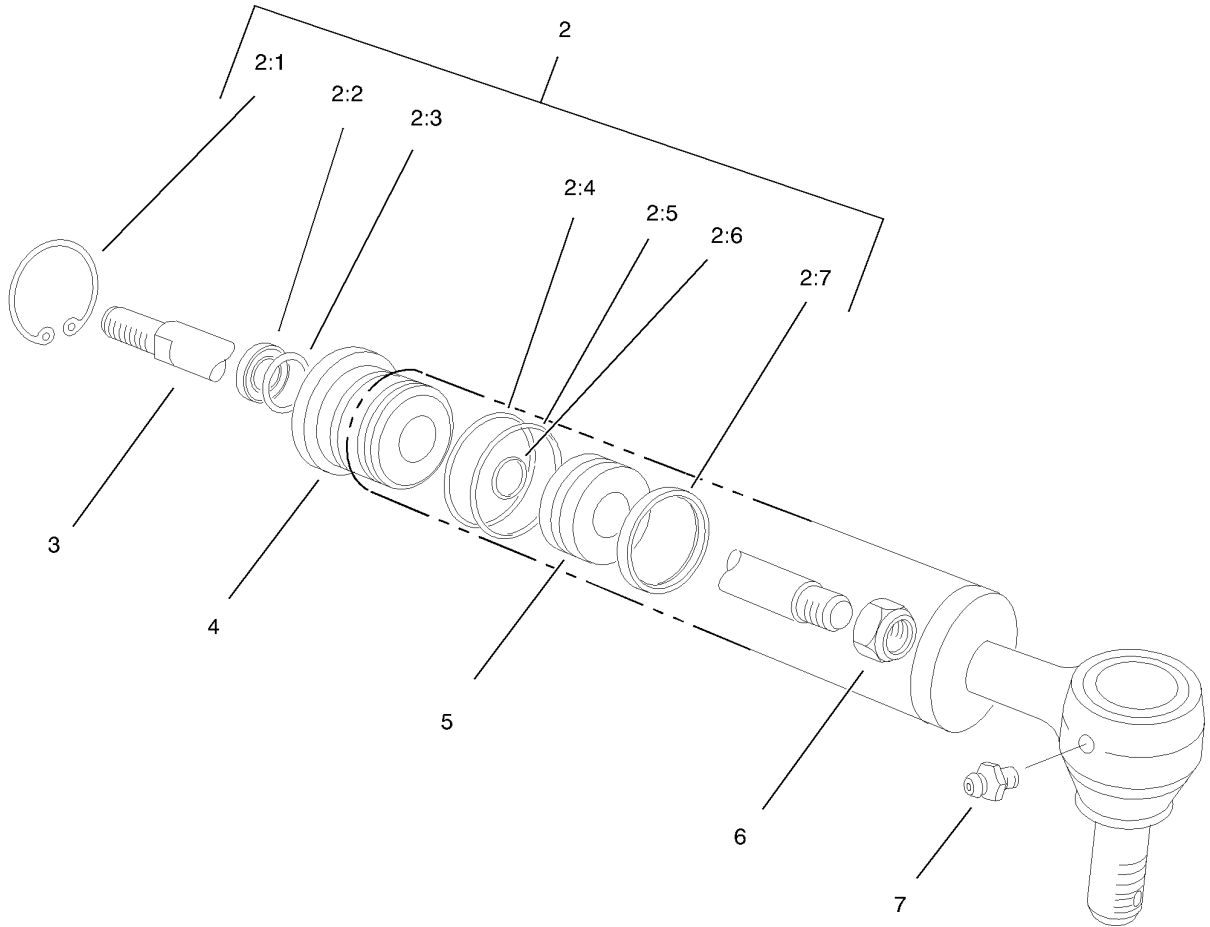
Ref	Part No.	Qty.	Description
1	104-9188	2	Hose ASM
1:1	237-42	1	O-Ring
2	104-9185	1	Hose ASM
①2:1	237-42	1	O-Ring
①2:2	237-79	1	O-Ring
2:3		1	Fitting-Hose, Straight
2:3:1	237-42	1	O-Ring
2:4		1	Fitting-Hose, Elbow-90
2:4:1	237-79	1	O-Ring
3	104-9186	1	Hose ASM
3:1	237-42	1	O-Ring
4	92-3502	1	Steering Control ASM
5	94-8792	1	Column-Steering
6	95-2193	1	Trim
7	33113-016	4	Screw-HH
8	92-3513	1	Nut
9	98-1471	1	Wheel-Steering
9:1	98-1468	1	Cover-Wheel, Steering
10	93-5439	1	Seal-Steering
11	340-77	2	Fitting-Hyd, 90 DEG
11:1	237-22	1	O-Ring
11:2	237-42	1	O-Ring
12	3220-11	1	Nut-Jam
13	93-6509	1	Tie Rod End ASM

Ref	Part No.	Qty.	Description
13:1	32136-3	1	Nut
13:2	3272-12	1	Pin-Cotter
13:3	302-5	1	Fitting-Grease
13:4	106-4901	1	Seal-Rod End
14	93-6510	1	Cylinder
17	3296-57	1	Nut-Lock, NI
18	21-9260	1	Cover-Dust
19	98-1459	1	Decal



Steering Control Assembly No. 92-3502

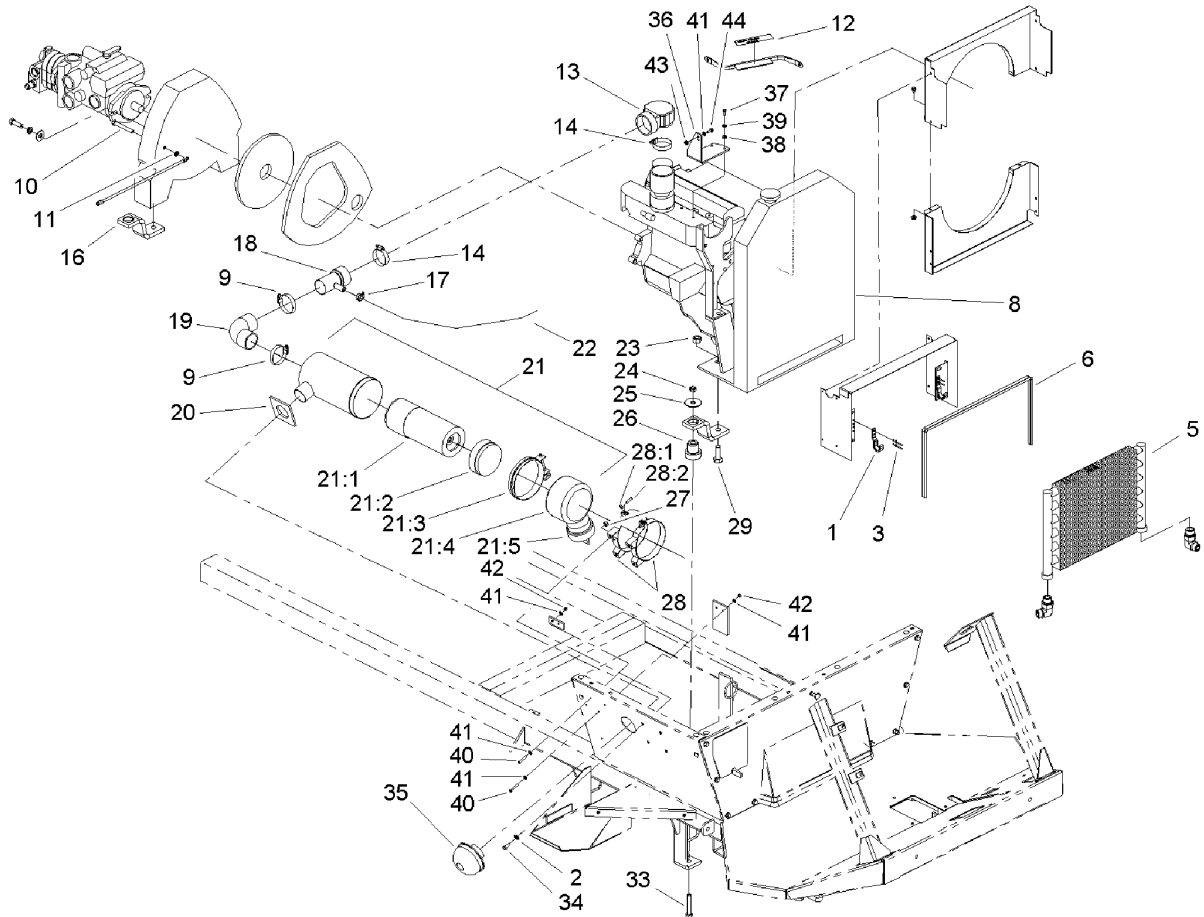
Ref	Part No.	Qty.	Description
1	94-4096	1	Bearing Kit
2	92-3842	1	Ball
3	92-3841	1	Plug ASM
3:1		1	O-Ring
4	94-4095	1	Centering Spring Kit
5	92-3843	1	Plate-Wear
6	92-3845	1	Spacer
7	92-3844	1	Drive
8	92-3846	1	Gerotor
9	92-3847	1	Cap-End
10	92-3848	7	Capscrew
11	92-3849	1	Seal Kit



Hydraulic Cylinder Assembly No. 93-6510

Ref	Part No.	Qty.	Description
2	92-3992	1	Repair Kit
2:1		1	Ring-Retaining
2:2		1	Seal-Dust
2:3		1	Seal-Rod
2:4		1	Ring-Backup
2:5		1	O-Ring
2:6		1	O-Ring
2:7		1	Uniring
3		1	Shaft
4		1	Head
5		1	Piston
6		1	Nut
7	302-5	1	Fitting-Grease

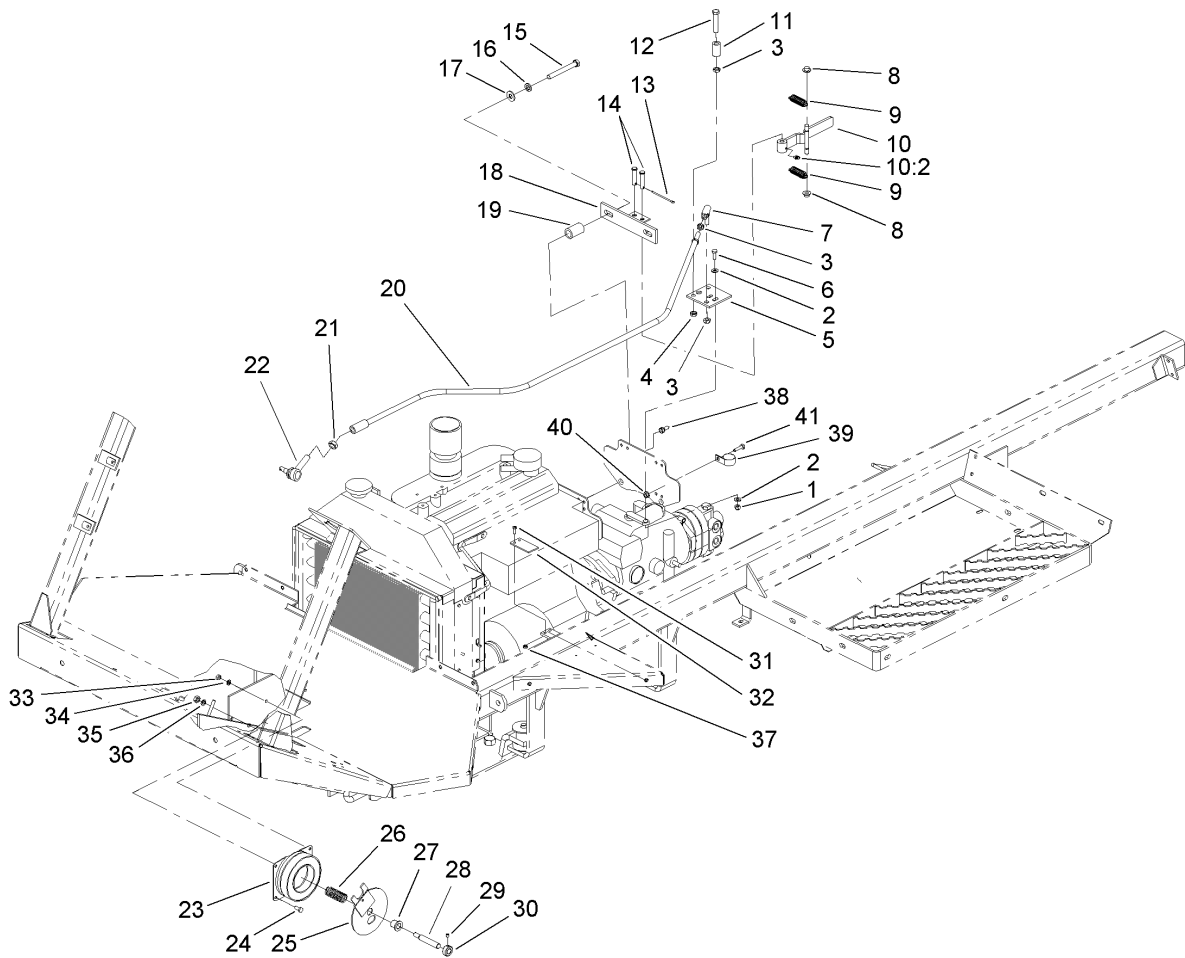
--	--	--	--



Engine, Oil Cooler and Air Cleaner Assembly

Ref	Part No.	Qty.	Description
1	75-0930	2	Hook-Mount, Cooler
2	3256-23	4	Washer-Flat
3	3269-15	4	Rivet
5	94-7007	1	Oil Cooler ASM
6	42656	1	Trim-Shroud
8		1	Engine-Ford, Vsg-4131-6007-Z
9	2412-130	2	Clamp-Hose
10	33115-080	1	Screw-HH
11	3255-9	1	Washer-Lock, Ext
12	54-0890	1	Decal-Rotating
13	42621	1	Elbow-Carburetor, Inlet Reducer
14	2412-125	2	Clamp-Hose
16	94-7010-03	4	Bracket-Engine Mount
17	2412-119	2	Clamp-Worm
18	95-2169-03	1	Tube ASM
19	41908	1	Elbow-Hose
20	94-7280	1	Seal-Foam, Air Cleaner
21	41904	1	Air Cleaner ASM
21:1	106-4904	1	Element-Air Cleaner
21:2	27-7140	1	Skirt-Baffle
21:3	27-7130	1	Clamp ASM
21:4	106-4907	1	Cup-Air Cleaner
21:5	71-3570	1	Valve-Vacuator
22	95-2171	1	Hose

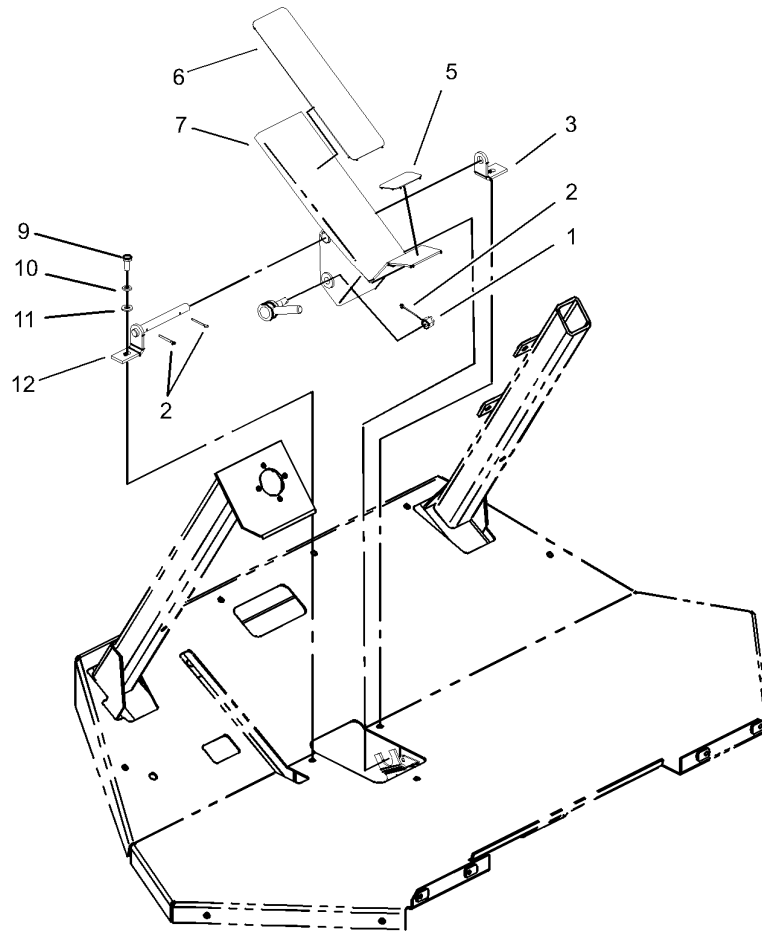
Ref	Part No.	Qty.	Description
23	32153-15	4	Locknut
24	32153-5	4	Nut-Lock
25	41985	4	Special-Washer
26	41782	4	Mount-Motor
27	32128-20	4	Nut-HF
28	27-7170	2	Mounting Band ASM
28:1	32107-11	2	Nut-Square
28:2	3258-19	2	Screw
29	327-5	4	Screw-HH
33	325-12	4	Screw-HH
34	322-3	4	Screw-HH
35	27-7180	1	Cap ASM
36	42653-03	1	Bracket-Throttle Cable
37	33113-016	2	Screw-HH
38	3256-22	2	Washer-Flat
39	3253-3	2	Washer-Lock
40	3290-360	5	Screw-HH
41	3256-14	11	Washer-Flat
42	3296-2	5	Nut-Lock
43	3290-148	1	Nut-HF
44	32105-13	1	Screw-SHH



Drive Linkage Assembly

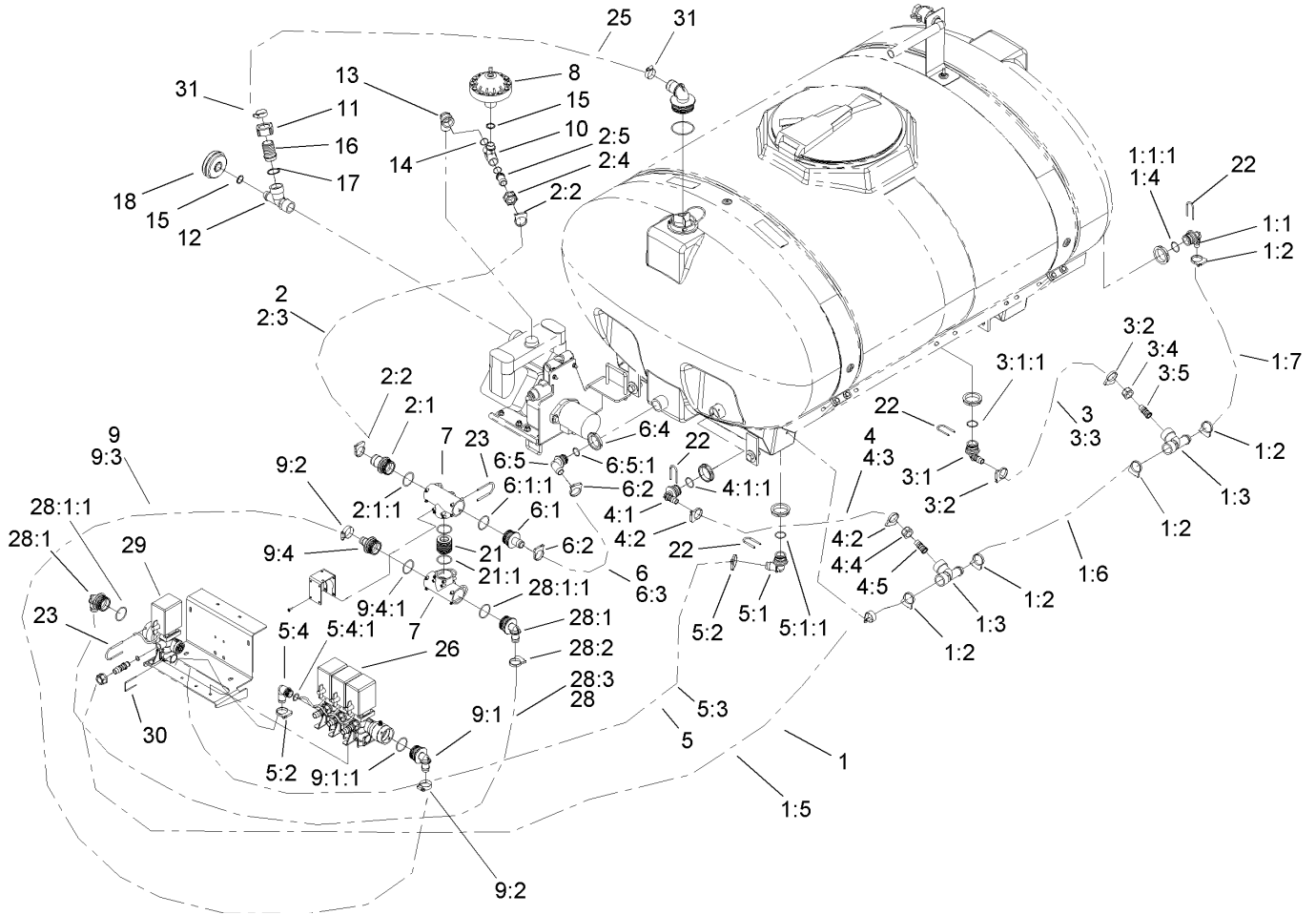
Ref	Part No.	Qty.	Description
1	32146-17	2	Nut-Lock
2	3256-22	4	Washer-Flat
3	3220-3	5	Nut-Jam
4	32153-11	1	Nut-Lock
5	92-0454-03	1	Plate-Control
6	321-5	2	Screw-HH
7	94-7572	1	End-RH Tie Rod
8	92-0465	4	Cap-Spring Retainer
9	92-0417	2	Spring-Ext
10	92-0460	2	Arm ASM
10:2	302-5	1	Fitting-Grease
11	92-0455	2	Bearing
12	3211-9	2	Screw-HH
13	3272-53	1	Pin-Cotter
14	283-15	2	Pin-Clevis
15	33115-090	2	Screw-HH
16	3253-6	2	Washer-Lock
17	3256-4	2	Washer-Flat
18	92-0457-03	1	Mounting Bracket ASM
19	92-0466	2	Tube-Spacer
20	94-7005-03	1	Control Linkage ASM
21	3220-5	1	Nut-Jam
22	21-0141	1	RH Ball Joint ASM
23	42-1720	1	Field Core Coil ASM

Ref	Part No.	Qty.	Description
24	321-3	4	Screw-HH
25	43-6110-03	1	Plate-Clutch
26	43-6200	1	Spring-Compression
27	256-273	1	Bushing-Flange
28	69-9170	1	Shaft-Cruise
29	3245-32	1	Screw-HS
30	43-6320	1	Collar
31	3290-500	2	Screw-PPH
32	92-0453	1	Guide-Bearing
33	3217-5	4	Nut-Hex
34	3253-3	4	Washer-Lock
35	3217-7	1	Nut-Hex
36	3253-5	1	Washer-Lock
37	3290-148	2	Nut-HF
38	42618	11	Cap
39	2412-104	1	R-Clamp
40	32128-33	1	Nut-HF
41	321-6	1	Screw-HH



Traction Pedal Assembly

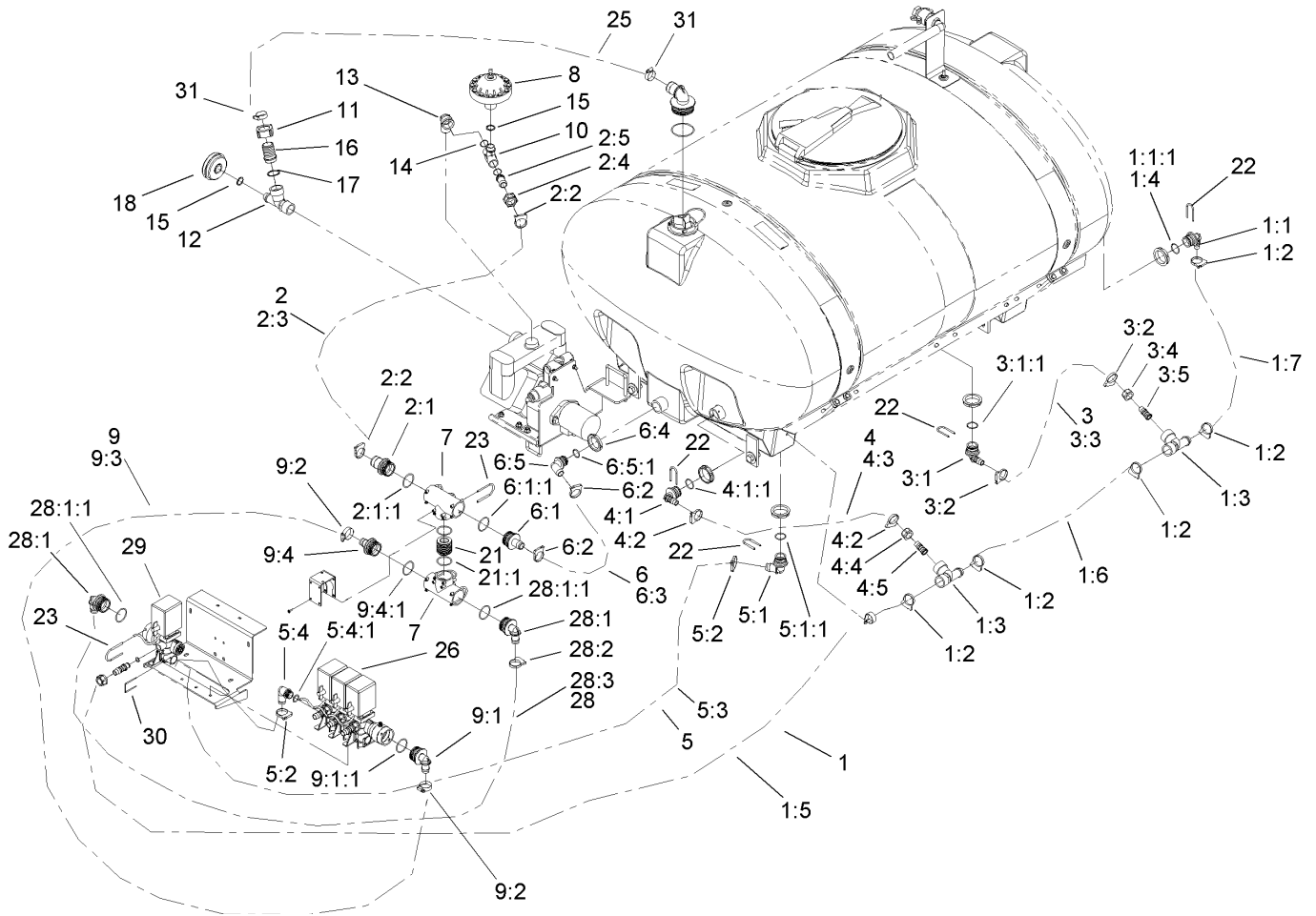
Ref	Part No.	Qty.	Description				
1	32136-4	1	Nut-Slotted				
2	3272-7	3	Pin-Cotter				
3	92-0450-03	1	Bracket-Pin				
5	71-0450	1	Abrasive-Pedal, Rear				
6	71-0440	1	Abrasive-Pedal				
7	99-5347-03	1	Pedal-Traction				
9	322-3	2	Screw-HH				
10	3253-4	2	Washer-Lock				
11	3256-23	2	Washer-Flat				
12	92-0448	1	Pivot Pin ASM				



External Sprayer Component Assembly

Ref	Part No.	Qty.	Description
②1		1	Agitation Hose ASM
1:1	106-4940	1	Hosebarb-90 DEG
1:1:1	100-6712	1	O-Ring
1:2	2412-129	5	Clamp-Hose
1:3	100-6984	2	Tee
1:4	100-6712	2	O-Ring
1:5	106-4971	1	Hose
1:6	106-4972	1	Hose
1:7	106-4973	1	Hose
②2		1	Supply Hose ASM
2:1	106-4932	1	Hosebarb-Straight
2:1:1	100-8637	1	O-Ring
2:2	2412-3	2	Clamp-Hose
2:3	106-4975	1	Hose
2:4	99-0769	1	Nut
2:5	99-0781	1	Hosebarb
②3		1	Middle Agitation Hose ASM
3:1	106-4940	1	Hosebarb-90 DEG
3:1:1	100-6712	1	O-Ring
3:2	2412-129	2	Clamp-Hose
3:3	104-8704	1	Hose
3:4	99-0850	1	Nut
3:5	100-6717	1	Hosebarb
②4		1	Back Agitation Hose ASM

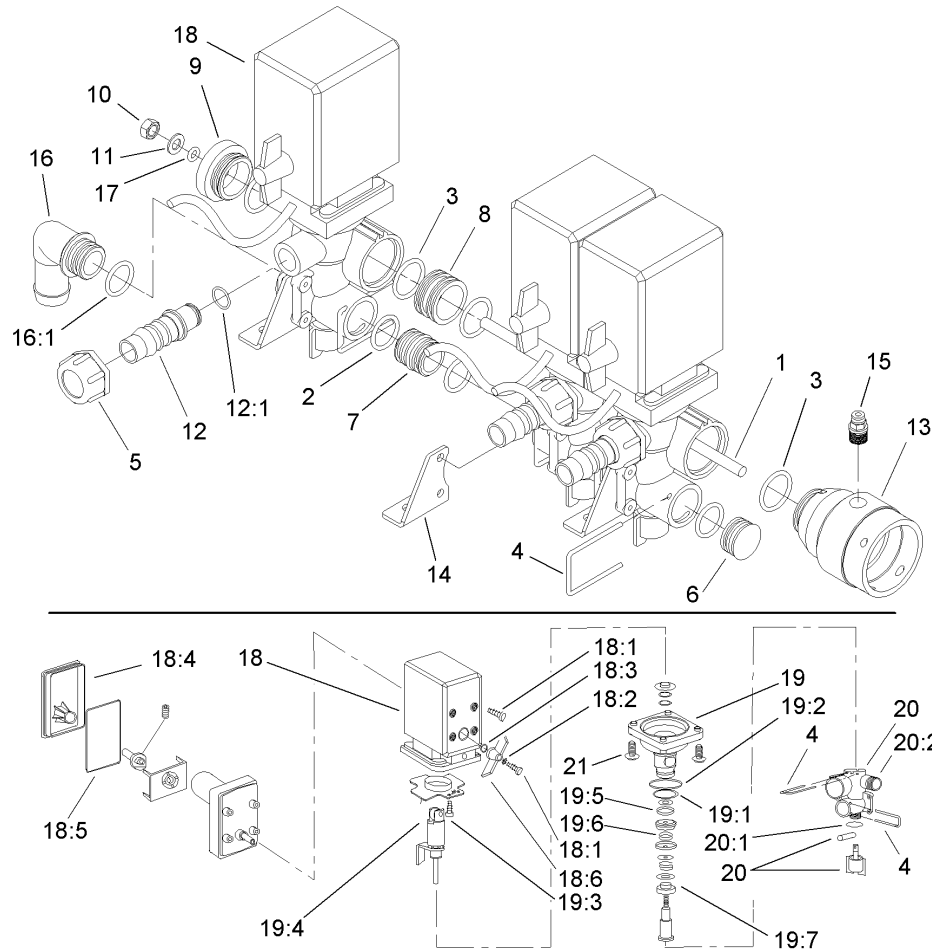
4:1	106-4940	1	Hosebarb-90 DEG
4:1:1	100-6712	1	O-Ring
4:2	2412-129	2	Clamp-Hose
4:3	106-4974	1	Hose
4:4	99-0850	1	Nut
4:5	100-6717	1	Hosebarb
②5		1	Bypass Hose ASM
5:1	106-4945	1	Elbow
5:1:1	100-6712	1	O-Ring
5:2	2412-3	2	Clamp-Hose
5:3	106-4976	1	Hose
5:4	106-4948	1	Hose Barb ASM
5:4:1	100-6882	1	O-Ring
②6		1	Relief Hose ASM
6:1	106-4932	1	Hosebarb-Straight
6:1:1	100-8637	1	O-Ring
6:2	2412-3	2	Clamp-Hose
6:3	106-4978	1	Hose
6:4	100-8678	1	Nut
6:5	106-4949	1	Hosebarb-110 DEG
6:5:1	100-6646	1	O-Ring
7	100-6704	2	Tee
8	100-6662	1	Damper-Pressure
9	106-5035	1	Boom Supply Hose ASM



External Sprayer Component Assembly (continued)

Ref	Part No.	Qty.	Description
9:1	106-4933	1	Hosebarb ASM
9:1:1	100-8637	1	O-Ring
9:2	2412-3	2	Clamp-Hose
9:3	106-4976	1	Hose
9:4	106-4932	1	Hosebarb-Straight
9:4:1	100-8637	1	O-Ring
10	100-8699	1	Tee
11	100-8678	1	Nut
12	100-8681	1	Tee
13	100-8698	1	Elbow
14	100-6655	2	Gasket
15	100-6656	2	O-Ring
16	100-8679	1	Hosebarb
17	100-8680	1	Seal
18	100-6660	1	Suction Damper ASM
21	106-4947	1	Connector
21:1	100-8637	2	O-Ring
22	100-6708	4	Fork
23	100-8635	8	Fork
25	100-8484	1	Hose-Suction
26		1	Valve Booms
28		1	Agitation Supply Hose ASM
28:1	106-4933	2	Hosebarb ASM
28:1:1	100-8637	1	O-Ring

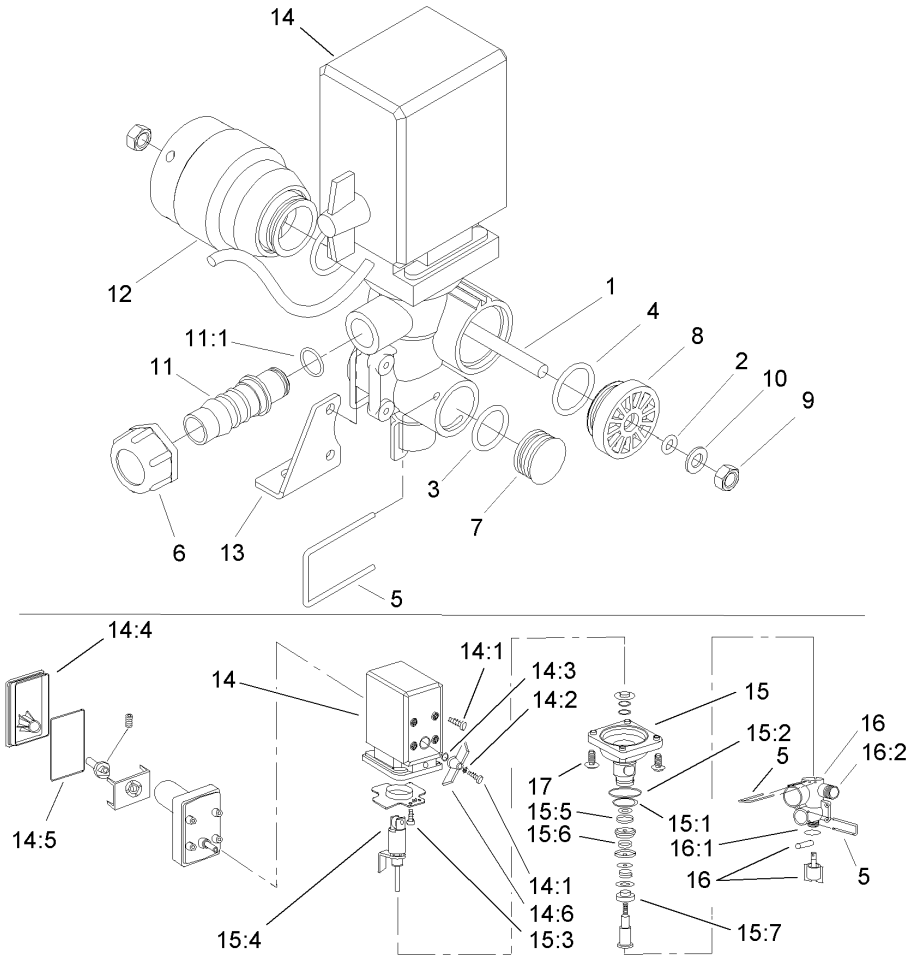
Ref	Part No.	Qty.	Description
28:2	2412-3	2	Clamp-Hose
28:3	106-4978	1	Hose
29		1	Valve Agitation ASM
30	100-6885	1	Fork-Valve, Boom
31	41327	2	Clamp-Hose



Valve Boom Assembly

Ref	Part No.	Qty.	Description
1	106-1213	1	Rod-Spray Control
2	100-6882	4	O-Ring
3	100-6646	7	O-Ring
4	100-6885	6	Fork-Valve, Boom
5	99-0850	3	Nut
6	100-6891	1	Cap-End
7	100-6890	2	Joiner-Bypass, Boom
8	100-6896	2	Joiner-Valve, Boom
9	100-6915	1	Cover-End
10	100-6894	1	Nut
11	100-6634	1	Washer
12	106-5112	3	Hosebarb ASM
12:1	100-6645	1	O-Ring
13	106-1214	1	Connector-Control, Spray
14	100-6760	3	Bracket-Valve, Section
15	100-8674	1	Coupler-Tube
16	106-4948	1	Hose Barb ASM
16:1	100-6882	1	O-Ring
17	100-6887	1	O-Ring
18	107-2861	3	Boom Valve Motor ASM
18:1	100-6876	3	Screw
18:2	100-6877	3	Washer-Lock
18:3	100-6880	3	O-Ring
18:4	100-6874	3	Cover-Valve, Boom

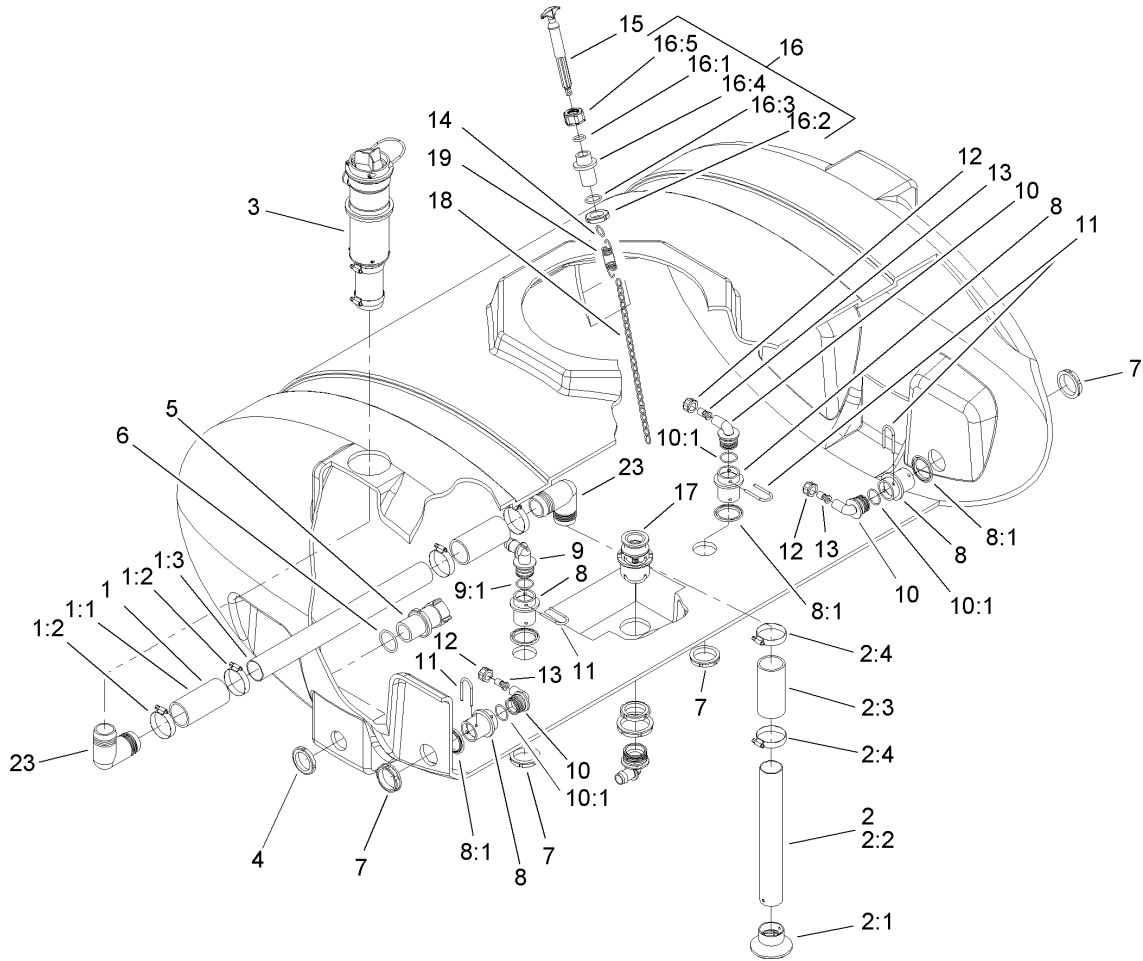
Ref	Part No.	Qty.	Description
18:5	100-6912	3	Cover-Seal
18:6	100-6875	3	Handgrip-Valve, Boom
19	100-6889	3	Section-Spindle, Boom Valve
19:1	100-8653	1	O-Ring
19:2	100-6882	5	O-Ring
19:3	100-6911	1	Pin-Roller
19:4	100-6910	1	Bearing-Roller
19:5	100-6879	1	O-Ring
19:6	100-6878	1	O-Ring
19:7	100-6881	1	Cone-Stem, Boom Valve
20	100-6888	3	Manifold-Valve, Boom
20:1	100-6887	1	O-Ring
20:2	106-5151	1	Manifold-Lower
21	100-6917	12	Screw-Plastic



Valve Agitation Assembly

Ref	Part No.	Qty.	Description
1	104-8907	1	Rod-Manifold
2	100-6887	1	O-Ring
3	100-6882	2	O-Ring
4	100-6646	2	O-Ring
5	100-6885	2	Fork-Valve, Boom
6	99-0850	1	Nut
7	100-6891	2	Cap-End
8	100-6915	1	Cover-End
9	100-6894	1	Nut
10	100-6634	1	Washer
11	106-5112	1	Hosebarb ASM
11:1	100-6645	1	O-Ring
12	106-1214	1	Connector-Control, Spray
13	100-6760	1	Bracket-Valve, Section
14	107-2861	1	Boom Valve Motor ASM
14:1	100-6876	3	Screw
14:2	100-6877	3	Washer-Lock
14:3	100-6880	3	O-Ring
14:4	100-6874	3	Cover-Valve, Boom
14:5	100-6912	3	Cover-Seal
14:6	100-6875	3	Handgrip-Valve, Boom
15	100-6889	1	Section-Spindle, Boom Valve
15:1	100-8653	1	O-Ring
15:2	100-6882	5	O-Ring

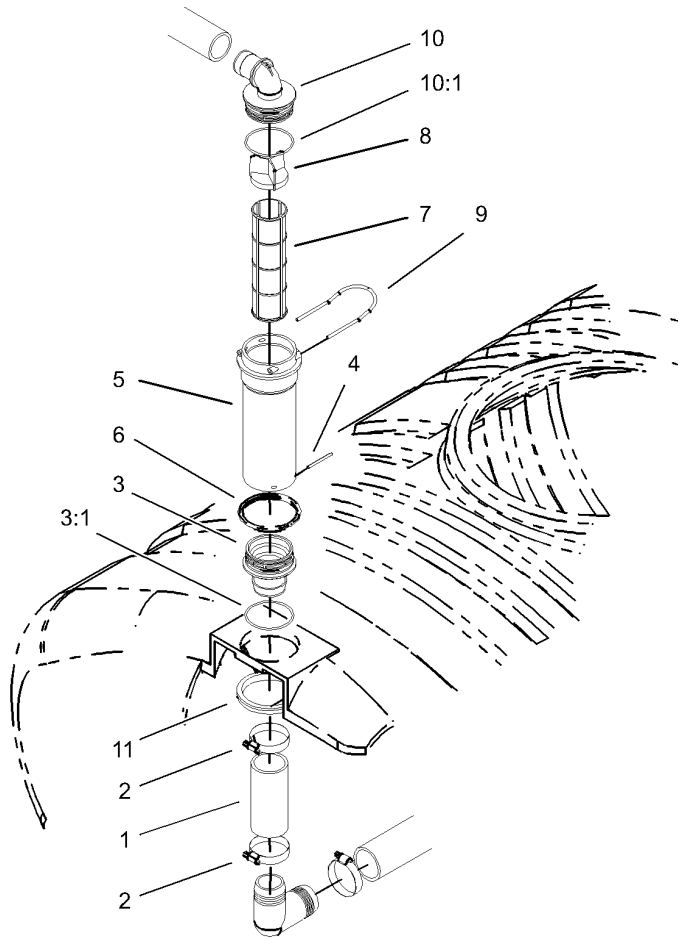
Ref	Part No.	Qty.	Description
15:3	100-6911	1	Pin-Roller
15:4	100-6910	1	Bearing-Roller
15:5	100-6879	1	O-Ring
15:6	100-6878	1	O-Ring
15:7	100-6881	1	Cone-Stem, Boom Valve
16	100-6888	1	Manifold-Valve, Boom
16:1	100-6887	1	O-Ring
16:2	106-5151	1	Manifold-Lower
17	100-6917	4	Screw-Plastic
●99	100-7045	1	Plug



Internal Sprayer Component Assembly

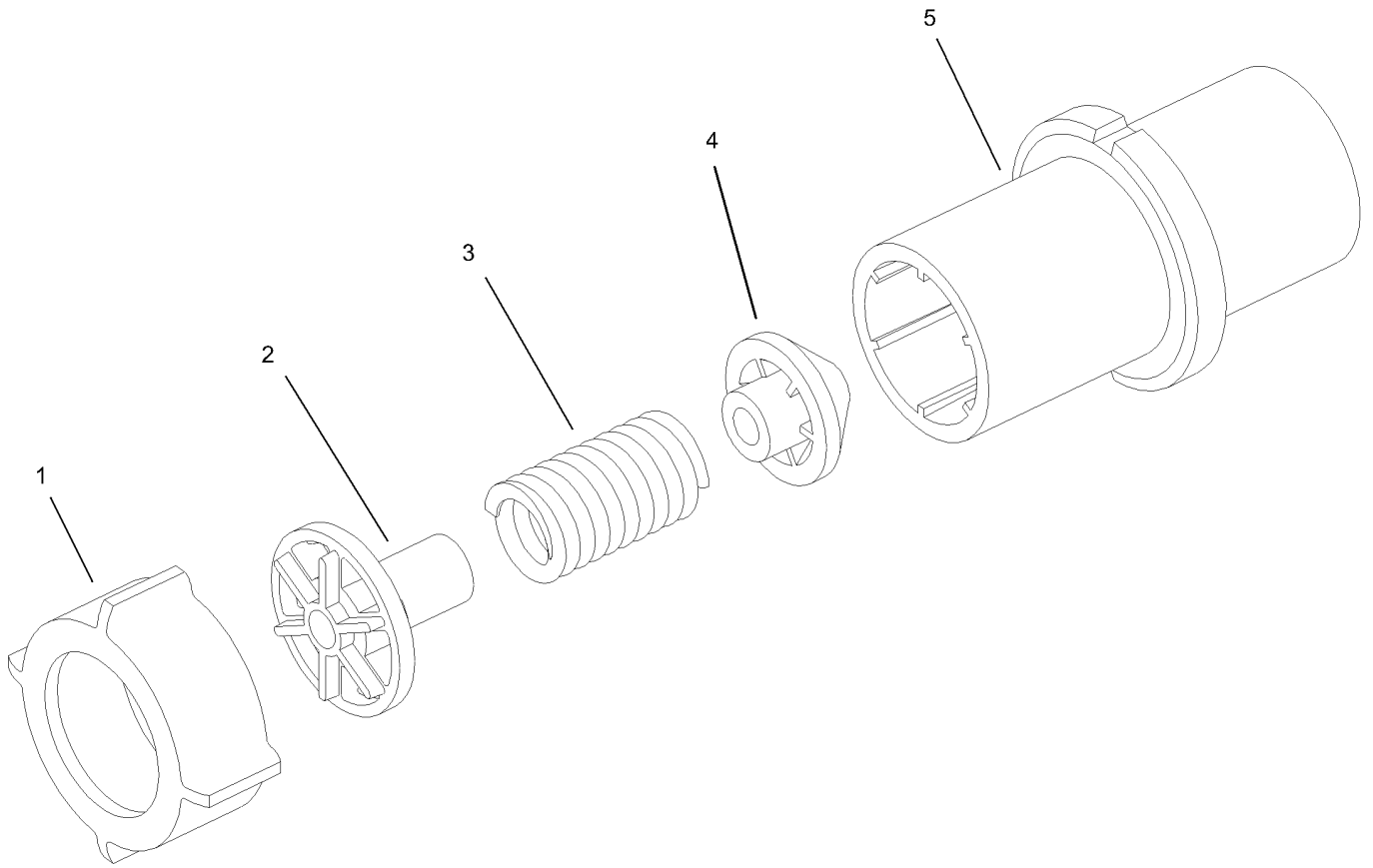
Ref	Part No.	Qty.	Description
1	104-9150	1	Tube-Suction Asm, Middle
1:1	100-8649	2	Hose-Suction
1:2	26392	4	Clamp-Hose
1:3	106-1215	1	Tube-Suction
2	104-9151	1	Tube-Suction Asm, Lower
2:1	100-6714	1	Foot-Suction Tube
2:2	106-1216	1	Tube-Suction
2:3	100-8649	1	Hose-Suction
2:4	26392	2	Clamp-Hose
3	104-9154	1	Filter ASM
4	99-0761	1	Ringnut
5	100-6820	1	Valve-Safety, 225 Psi
6	100-6652	1	Gasket
7	100-6713	4	Nut-Bulkhead
8	106-4896	4	Fitting-Bulkhead
8:1	100-6710	1	Gasket-Bulkhead
9	106-4945	1	Elbow
9:1	100-6712	1	O-Ring
10	106-4944	3	Fitting-90 DEG
10:1	100-6712	1	O-Ring
11	100-6708	4	Fork
12	99-0766	3	Nut
13	106-1218	3	Nozzle
14	106-1391	2	Spring-Extension

Ref	Part No.	Qty.	Description
15	106-1347	1	Handle-Drain
16	106-1347	1	Upper Tank Drain Bulkhead ASM
16:1	100-6643	1	O-Ring
16:2	99-0758	1	Nut
16:3	100-6658	1	Gasket
16:4	106-1240	1	Bulkhead
16:5	106-1241	1	Nut-Special
17	107-2874	1	Tank Drain ASM
18	106-5023	1	Chain ASM
19	106-1392	1	Ring-Retaining, Spiral, Ext
23	104-9095	2	Elbow



Filter Assembly

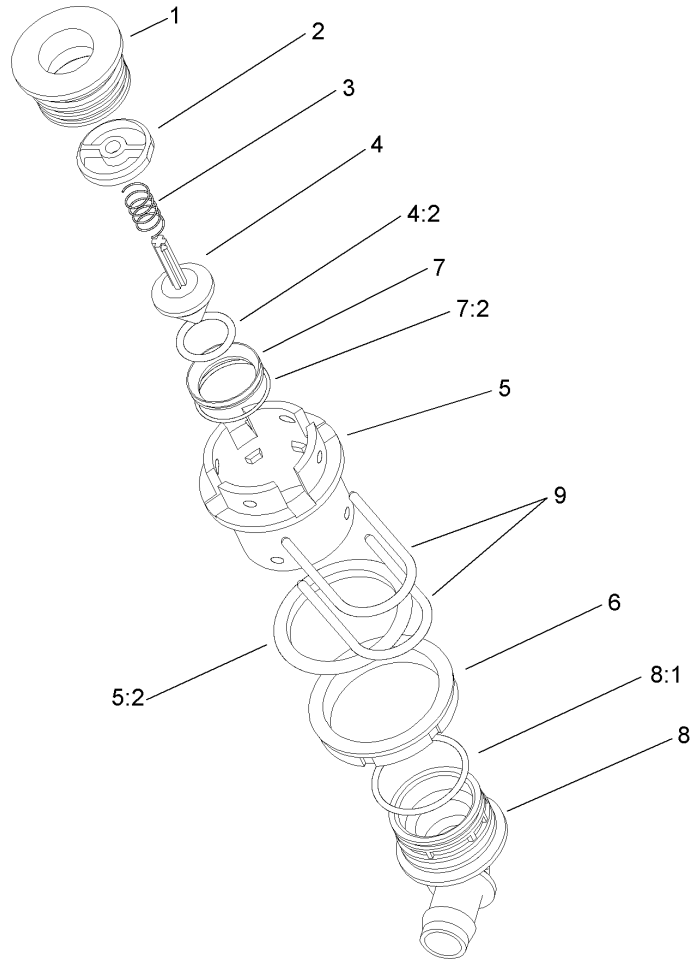
Ref	Part No.	Qty.	Description				
1	100-8649	1	Hose-Suction				
2	26392	2	Clamp-Hose				
3	106-4942	1	Hosebarb-Straight				
3:1	100-8640	1	O-Ring				
4	100-8644	2	Pin-Expansion				
5	100-8643	1	Housing-Filter				
6	100-8646	1	Gasket-Bulkhead				
7	100-8642	1	Screen-Suction, Mesh 50				
8	100-8641	1	Vane-Screen				
9	100-8636	1	Fork-Special				
10	106-4952	1	Hosebarb-90 DEG				
10:1	100-6989	1	O-Ring				
11	100-8647	1	Nut-Bulkhead				



Safety Valve Assembly No. 100-6820

Ref	Part No.	Qty.	Description
1	100-8678	1	Nut
2	100-6724	1	Valve-Relief, Seat
3	100-6725	1	Spring-Relief Valve
4	100-6726	1	Cone-Relief Valve
5	100-6727	1	Housing-Relief Valve

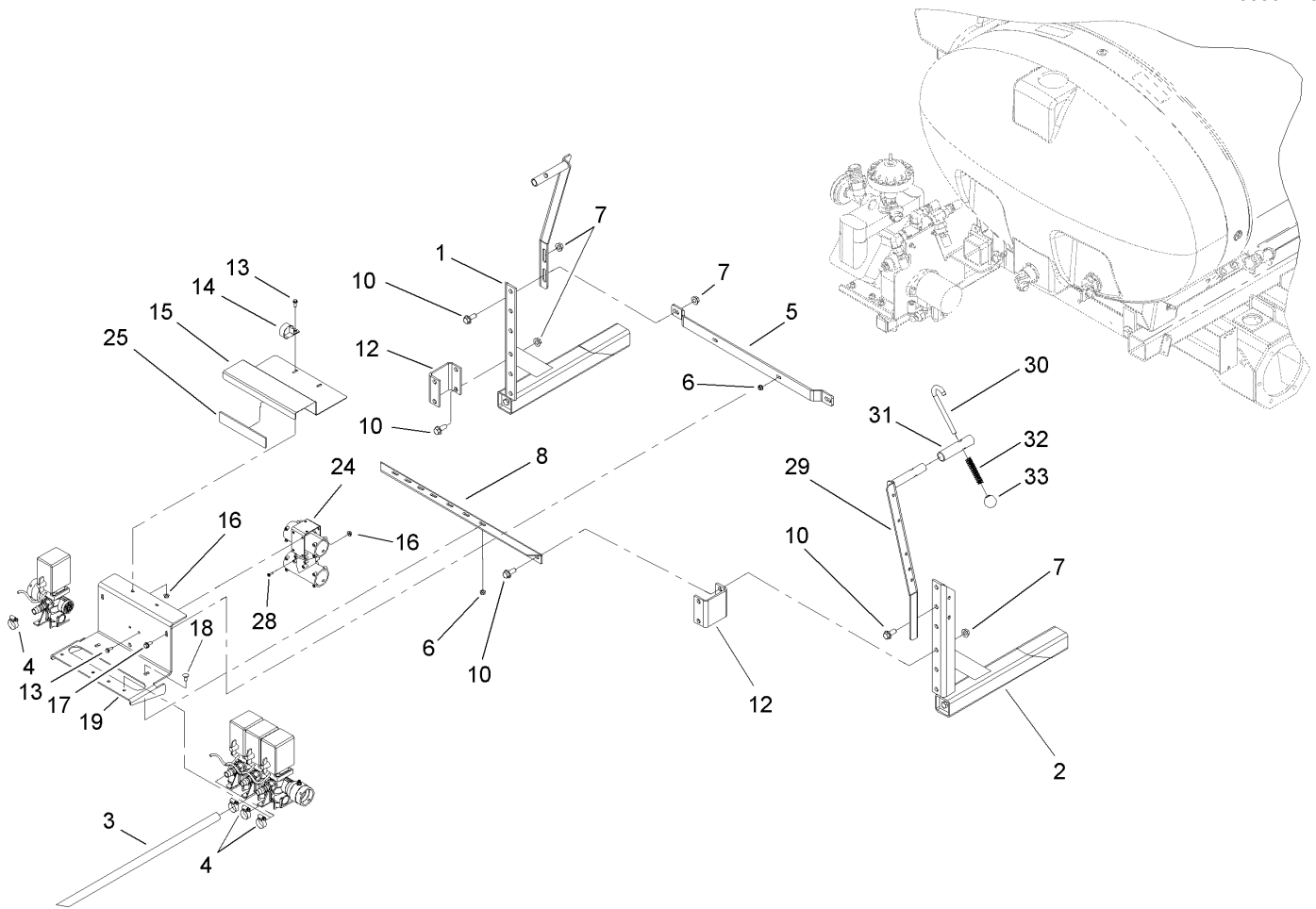
--	--	--	--



Tank Drain Assembly

Ref	Part No.	Qty.	Description
1	107-2868	1	Adapater
2	107-2869	1	Holder-Plunger
3	107-2871	1	Spring
4	107-2870	1	Drain Plunger ASM
4:2	107-2872	1	O-Ring
5	107-2862	1	Drain Bulkhead ASM
5:2	107-2864	1	Gasket-Bulkhead
6	100-7051	1	Nut-Bulkhead
7	107-2867	1	Seat Drain ASM
7:2	107-2866	1	O-Ring
8	106-4933	1	Hosebarb ASM
8:1	100-8637	1	O-Ring
9	100-8635	2	Fork

--	--	--	--

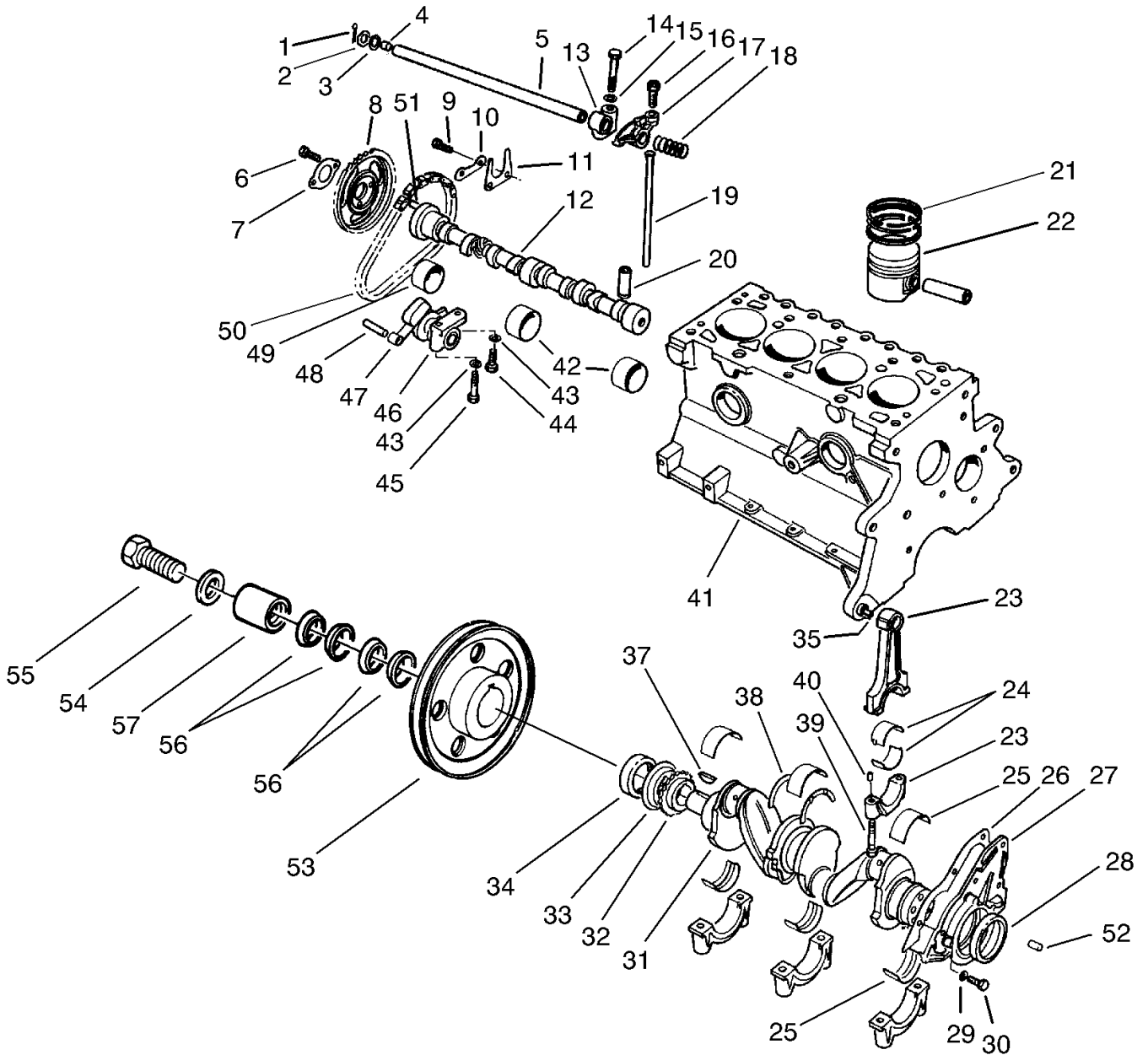


Sprayer Component Assembly

Ref	Part No.	Qty.	Description
1	106-5236	1	LH Boom Mount ASM
2	106-5238	1	RH Boom Mount ASM
3	41340	3	Hose-Boom, Left And Right
4	2412-129	4	Clamp-Hose
5	104-9073-03	1	Bar-Mounting, Valve
6	32128-20	8	Nut-HF
7	32128-23	10	Nut-HF
8	42225-03	1	Angle-Support, Cross
10	3234-32	10	Screw-HHF
12	92-8533-03	2	Bracket-Mounting, Boom
13	3234-4	4	Screw-HHF
14	2412-147	1	Clamp
15	104-9072-03	1	Bracket-Support, Valve
16	32128-33	4	Nut-HF
17	3234-5	6	Screw
18	3230-1	2	Bolt-CARR
19	104-9153-03	1	Bracket-Mounting, Boom
24	100-8478	1	Bracket-Tee
25	100-8524	1	Foam-Strip, Gas Tank
28	32144-32	4	Screw
29	106-5082-03	2	Hold-Boom
30	92-8562	2	Hook-Restraint, Boom
31	92-8561	2	Hose-Hold In
32	92-8563	2	Spring

Ref	Part No.	Qty.	Description
33	92-8564	2	Knob

Crankshaft and Camshaft Assembly No.1 FORD VSG-4131-6007-Z



Crankshaft and Camshaft Assembly No.1

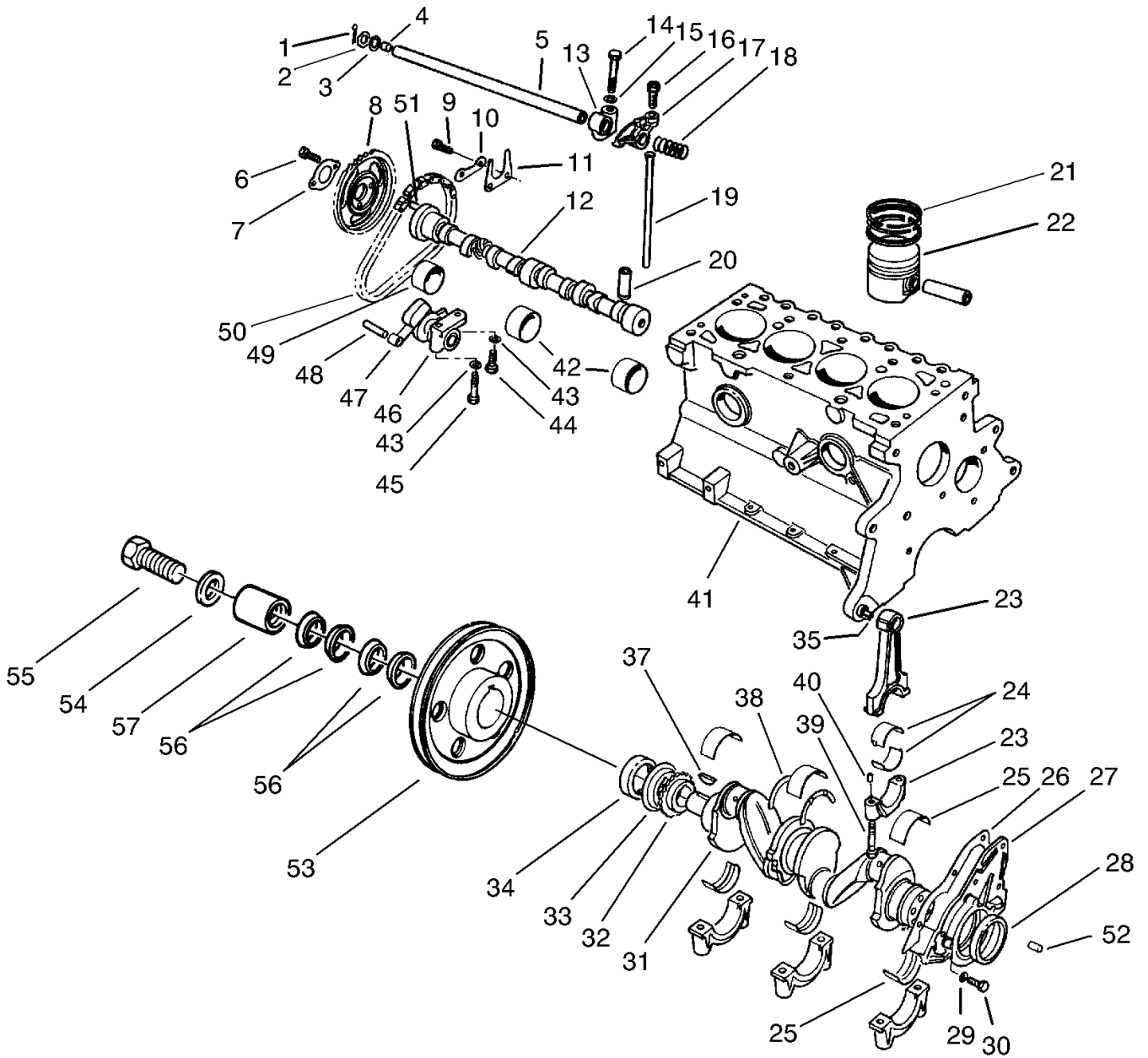
FORD VSG-4131-6007-Z

Ref	Part No.	Qty.	Description
①	72025-S7	2	Pin-Cotter
②	77BM-6598-AB	2	Washer-Spring
③	DORY-6590-A	2	Washer-Rat
④	357966-s	2	Plug-Rockerarm Shaft
⑤	89BM-6A557-AA	1	Rocker Arm Shaft ASM (Incl. Ref. #4)
⑥	E602351-S72	2	Bolt
⑦	DORY-6258-A	1	Retainer
⑧	77BM-6256-AA	1	Sprocket-Camshaft
⑨	N602166-S2	2	Bolt
⑩	DORY-6255-A	1	Retainer
⑪	DORY-6269-A	1	Plate-Thrust
⑫	89BM-6251-BA	1	Camshaft
⑬	77BM-6531-BB	4	Support-Rocker Shaft
⑭	E800509-S72	4	Bolt-Rocker Support
⑮	E630031-S101	4	Washer
⑯	DORY-6549-B	8	Screw
⑰	89BM-6529-AB	4	Arm-Valve Rocker, RH (Inc. Ref. #16)
⑱	89BM-6K528-AB	4	Arm-Valve Rocker, LH (Inc. Ref. #16)
⑲	DORY-6587-A	3	Spring-Locating
⑳	89BM-6565-AB	8	Rod-Push, Valve
㉑	89BM-6500-AA	8	Tappet-Std.
㉒	89BM-6148-DA	4	Ring Set-Std.
㉓	89BM-6148-EA	0	Ring Set-.020 Os.
㉔	89BM-6148-FA	0	Ring Set-.040 Os.
㉕	89BM-6102-DA	4	STD Piston ASM (Inc. Ref. #21)
㉖	89BM-6102-EA	0	.020 Os. Piston ASM (Inc. Ref. #21)
㉗	89BM-6102-FA	0	.040 Os. Piston ASM (Inc. Ref. #21)
㉘	89BM-6200-AD	4	Connecting Rod ASM
㉙	89BM-6211-AA	8	Bearing-Rod Std.
㉚	89BM-6211-BA	0	Bearing-Rod .001 U.s.
㉛	89BM-6211-CA	0	Bearing-Rod .010 U.s.

Ref	Part No.	Qty.	Description
㉜	89BM-6211-DA	0	Bearing-Rod .020 U.s.
㉝	89BM-6211-EA	0	Bearing-Rod .030 U.s.
㉞	89BM-6333-AA	5	Main Bearing-Crank Std. Od Std. Id
㉟	89BM-6331-AA	5	Bearing-Crank Lower Std. Od Std. Id
㊱	89BM-6333-BA	0	Bearing-Crank Upper Std. Od .005 Us. Id
㊲	89BM-6331-BA	0	Bearing-Crank Lower Std. Od .005 Us. Id
㊳	89BM-6333-CA	0	Bearing-Crank Upper Std. Od .010 Us. Id
㊴	89BM-6333-DA	0	Main Bearing-Crank 015 Od Std. Id
㊵	89BM-6331-DA	0	Bearing-Crank Lower 015 Od Std. Id
㊶	89BM-6333-EA	0	Bearing-Crank Upper Std. Od .020 Us. Id
㊷	89BM-6331-EA	0	Bearing-Crank Lower Std. Od .020 Us. Id
㊸	89BM-6333-FA	0	Bearing-Crank Upper Std. Od .030 Us. Id
㊹	89BM-6331-FA	0	Bearing-Crank Lower Std. Od .030 Us. Id
㊺	89BM-6333-GA	0	Bearing-Crank Upper .015 Os. Od .010 Us. Id
㊻	89BM-6331-GA	0	Bearing-Crank Lower .015 Os. Od .010 Us. Id
㊼	89BM-6333-HA	0	Bearing-Crank Upper .015 Os. Od .020 Us. Id
㊽	89BM-6331-HA	0	Bearing-Crank Lower .015 Os. Od .020 Us. Id
㊾	89BM-6344-BA	1	Gasket-Rear Retainer
㊿	86BM-6K318-AA	1	Rear Retainer ASM
1	86HM-6701-A1A	1	Seal-Crankshaft, Rear
2	E630173-S71M	4	Lockwasher
3	E602187-S72	4	Bolt
4	89BM-6303-DA	1	Crankshaft ASM
5	DORY-6306-A	1	Sprocket
6	D8RZ-6310-A	1	Singer-Oil

Crankshaft and Camshaft Assembly No.2

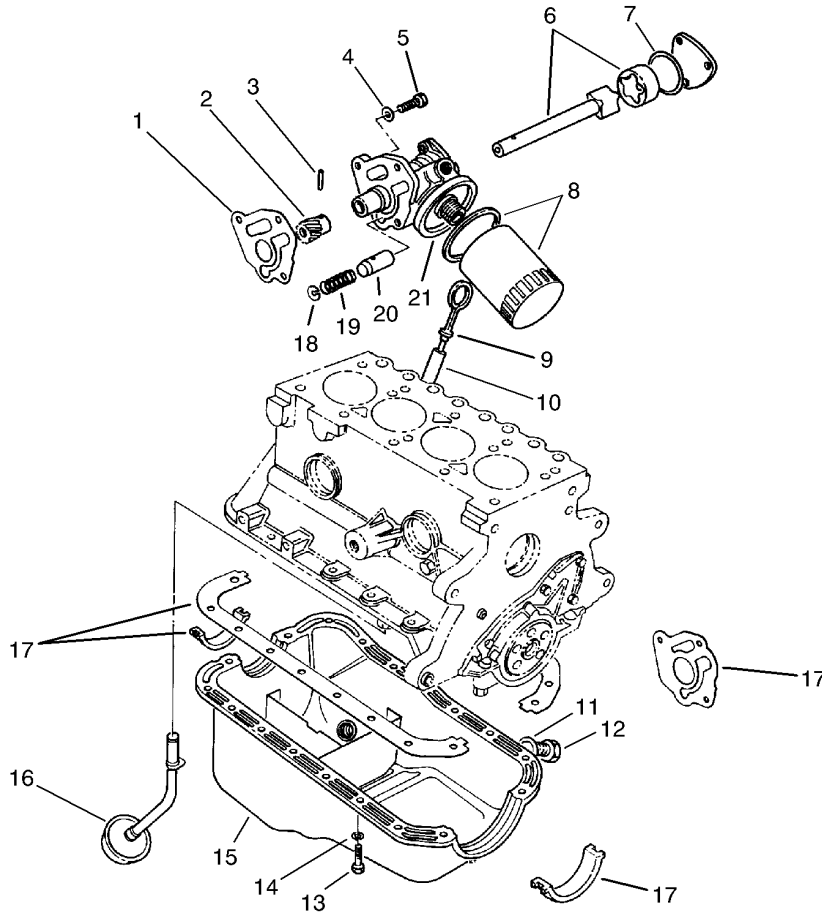
FORD VSG-4131-6007-Z



Crankshaft and Camshaft Assembly No.2

FORD VSG-4131-6007-Z

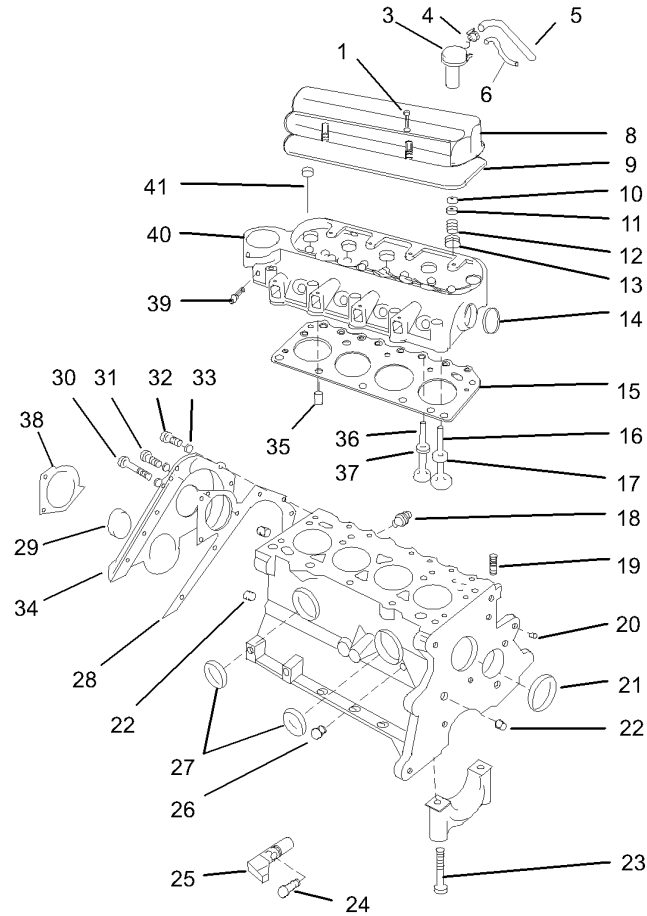
Ref	Part No.	Qty.	Description				
34	83BM-6700-A4A	1	Seal-Front Cover				
35	E7RY6397-A	2	Dowel				
37	DORY-6B6397-A	1	Key-Woodruff				
38	89BM-6A341-AA	2	Washer-Bearing Thrust Std.				
3	89BM-6A341-BA	0	Washer-Bearing Thrust .015 Os.				
39	89BM-6214-DB	8	Bolt-Connecting Rod				
40	116336-ES100	8	Dowel Pin-Rod				
41	89BM-6011-DA	1	Block-Cylinder				
42	DORY-6262-C	2	Bearing (Std. Id STD .od)				
3	DORY-6262-B	0	Bearing (Std. Id +.020 Od)				
43	34805-S8	2	Lockwasher				
44	N602166-S72	1	Bolt				
45	E600116-S204	1	Bolt				
46	DIFZ-6284-A	1	Tensioner				
47	77BM-6K255-AC	1	Arm-Tensioner				
48	E43-CP-1	1	Pin				
49	DORY-6261-A	1	Bearing-Std. Id Std. Od				
3	DORY-6261-B	0	Bearing-Std. Id +.020 Od				
50	DORY-6268-A	1	Chain				
51	E93A-6253-A	1	Dowel				
52	E-840161-S	1	Dowel				
3	88BX-6014-BA	1	Gasket Kit Upper				
3	88-BX-6008-BA	1	Gasket-Complete				
53	95-2444	1	Pulley-Engine				
54	E830135-S76	1	Washer				
55	89BM-6K340-AA	1	Bolt				
56	E7JL-6N300-AA	2	Locking Ring Set				
57	E7JL-6378-AA	1	Ring-Compression				



Oil Pump and Filter Assembly FORD VSG-4131-6007-Z

Ref	Part No.	Qty.	Description
1	96BM-6659-A1A	1	Gasket-Oil Pump
2	DORY-6652-A	1	Gear
3	72432-S	1	Pin-Drive Gear
4	E630173-S71M	3	Lockwasher
5	E800519-S72	3	Bolt
6	DIFZ-6608-B	1	Rotor And Shaft
7	116682-ES	1	Plate-Cover
8	95-3304	1	Filter-Oil
9	92BM-6750-AA	1	Indicator-Oil Level
10	89BM-6784-AA	1	Tube-Oil Level Indicator
11	E9DZ-6734-B	1	Gasket-Oil Drain Plug
12	E9DZ-6730-B	1	Plug-Oil Drain
13	E602165-S72	18	Bolt
14	34805-S8	18	Lockwasher
15	86BM-6675-AA	1	Oil Pan ASM
16	86BM-6617-AA	1	Oil Pickup Tube ASM
17	A850X-6013-AA	1	Gasket Seal Kit

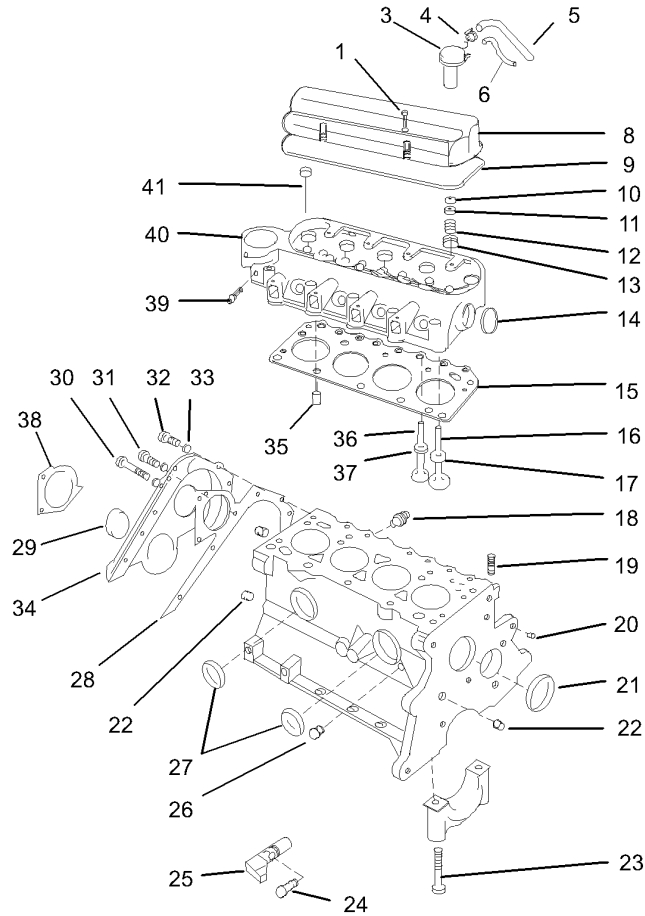
Ref	Part No.	Qty.	Description
18	DORY-6666-A	1	Plug
19	DORY-6670-A	1	Spring
20	DORY-6674-A	1	Plunger
21	D8RZ-6600-A	1	Pump-Oil



Cylinder Head and Valve Assembly FORD VSG-4131-6007-Z

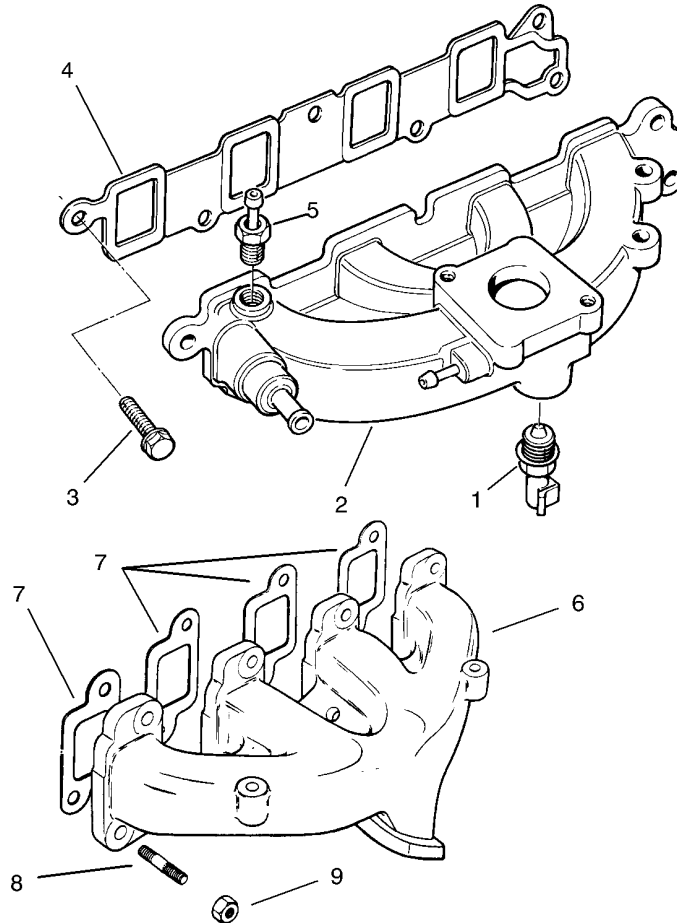
Ref	Part No.	Qty.	Description
①	E800516-S72	4	Screw-Rocker Cover
③	84BF-6K614-CA	1	Cap-Oil Fill
④	096609	1	Hose Clamp
⑤	95-2171	1	Hose
⑥	95-2172	1	Hose
①⑤	20-24-AGD	1	Bolt
①⑤	22-12-AJD	1	Nut
①⑤	23-10-GD	1	Washer-Lock
①⑤	24-10-AD	1	Washer-Flat
⑧	95BM-6582-AB	1	Cover-Arm, Rocker
⑨	77BM-6584-CA	1	Gasket-Cover
⑩	88WM-6518-AA	16	Lock-Valve, Spring
⑪	89BM-6A536-AA	8	Retainer
⑫	89BM-6513-AA	8	Spring-Valve
⑬	88WM-6571-BB	8	Seal-Valve Stem
⑭	DORY-6026-A	1	Plug
⑮	89BM-6051-C2B	1	Gasket-Head

Ref	Part No.	Qty.	Description
⑮	89BM-6507-BA	4	Valve-Intake-Std.
①⑤	89BM-6507-BC	0	Valve-Intake .040mm O.s.
⑰	89BM-6056-A1G	4	Intake-Valve Seat
⑱	E7RZ-9278-A	1	Switch-Oil Pressure
⑲	D8RZ-6767-A	1	Adapter
⑳	E890100-S	1	Plug-Bali-Oil Gallery
㉑	D1FZ6266-A	1	Plug
㉒	F1ZZ-6026-A	3	Plug
㉓	D1FZ-6345-A	10	Bolt-Bearing Cap
㉔	E802666-S72	1	Screw
㉕	89BF-6C315-AC	1	Transducer
㉖	353055-S7	1	Plug
㉗	DORY-6026-A	2	Plug
㉘	89BM-6020-AA	1	Gasket-Front Cover
㉙	83BM-6700-A4A	1	Seal-Front Cover
⑳	E800518-S72	1	Bolt
㉑	E600113-S72	3	Bolt
㉒	E800512-S72	4	Bolt



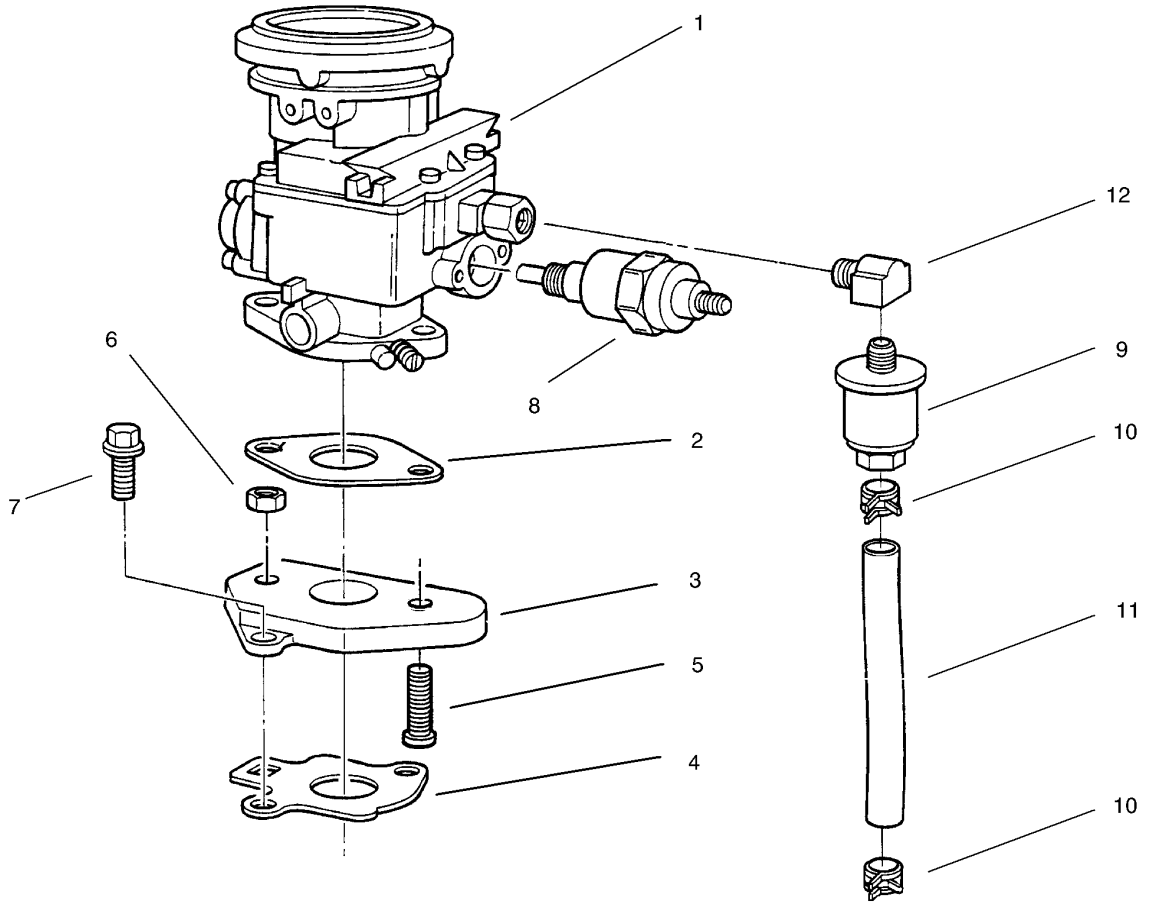
Cylinder Head and Valve Assembly FORD VSG-4131-6007-Z (continued)

Ref	Part No.	Qty.	Description				
③33	E832108-S71M	8	Lockwasher				
③34	89BM-6019-AC	1	Cover And Seal ASM (Incl. Ref. #29)				
③35	E840126S	2	Dowel				
③36	89BM-6505-EA	0	Valve-Exhaust .040mm 0.s.				
①⑤	89BM-6505-CA	4	Valve-Exhaust Std.				
③37	89BM-6057-A2E	4	Insert-Exhaust Seat				
③38	D8RZ-8507-A	1	Gasket-Water Pump				
③39	DY881	1	Sender-Temperature				
③40	89BM-6049-DD	1	Cylinder Head ASM				
③41	89BM-6065-DA	10	Bolt-Cylinder Head				



Manifold Assembly FORD VSG-4131-6007-Z

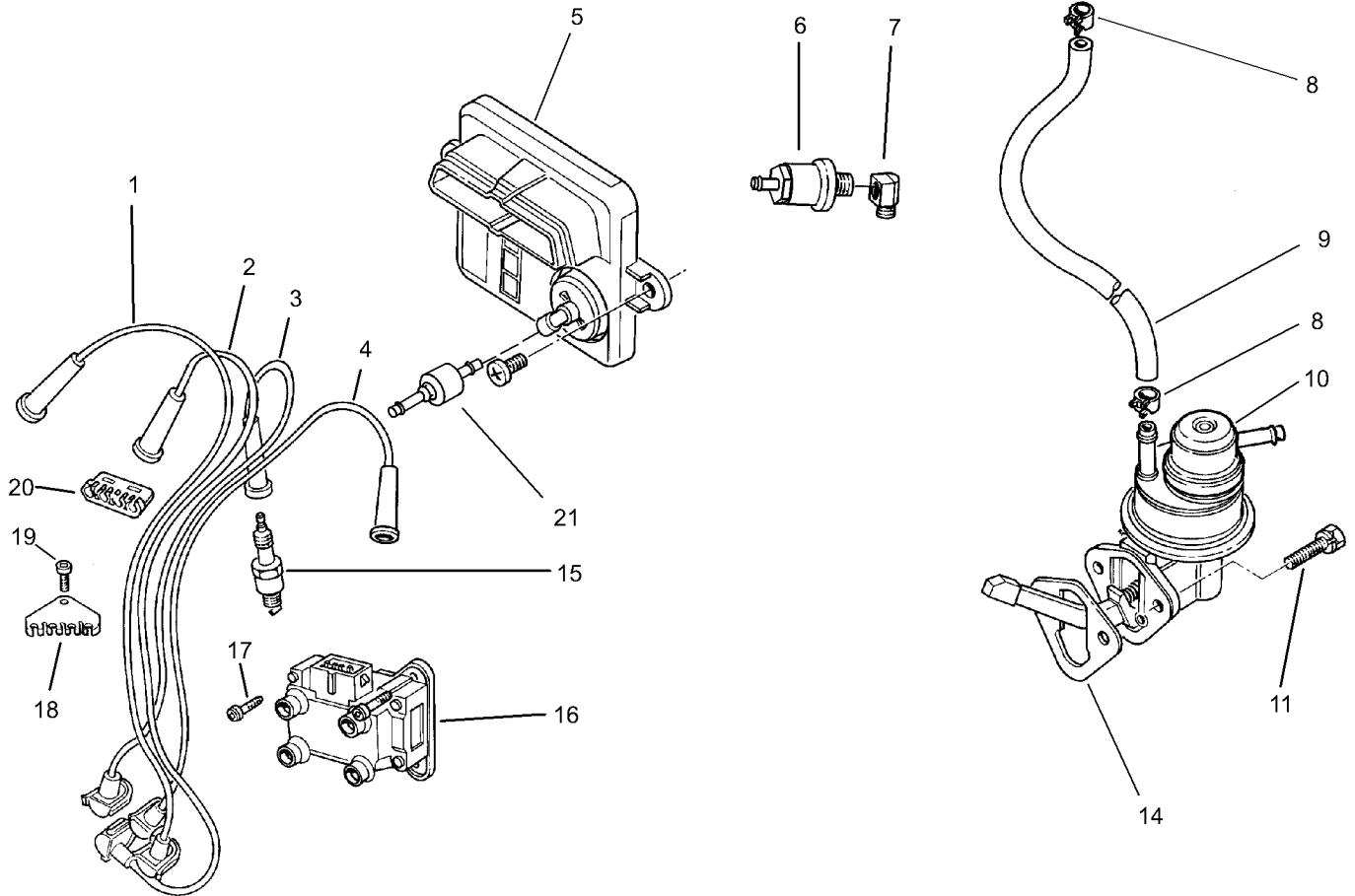
Ref	Part No.	Qty.	Description				
1	DY681	1	Senser-Temperature, 250c				
2	89BF-9424-AD	1	Manifold-Intake				
3	E800157-S72	6	Bolt				
4	89BM-9441-AB	1	Gasket-Intake Manifold				
5	77BF-9K442-AA	1	Adapter-Vacuum				
6	F5JL-9430-BA	1	Manifold-Exhaust				
7	95BM-9448-AC	4	Gasket-Manifold, Exhaust				
8	E805697-S76	8	Stud				
9	N620481-S2	8	Nut				
10	9990	1	Elbow-45 Deg. St, 1 1/4 Blk				
11	92-0016	1	Nipple-Pipe				
15	F5RZ-9H490-A	0					



Carburetor Assembly FORD VSG-4131-6007-Z

Ref	Part No.	Qty.	Description
1	E9JL-9510GA	1	Carburetor ASM
2	E5JL-9447-BA	1	Gasket
3	E8JL-9A589-CB	1	Adapter
4	87BF-9447-BA	1	Gasket
5	E804216-S	2	Stud-M8 X 29.5
6	N620041-S51	2	Nut
7	N800055-S	2	Bolt
8	84FB-9K765-BA	1	Solenoid
9	E3FZ-9155-F	1	Filter-Fuel (Motorcraft No. Fg778b)
10	386882-S32	2	Clamp-Hose
11	381103-S-180-A	1	Hose-Fuel
12	370829-S100	2	Elbow
13	D4FZ-9C369-A	1	Separator-Fuel
14	C6JZ-9740-A	1	Clevis-Carburetor/governor
15	E9JL9590-BA	0	Carburetor Enhancement Kit
16	E9JL9590-AA	0	Carburetor Rebuild Kit
17	F4JL-9B559-AA	0	Pump-Accelerator

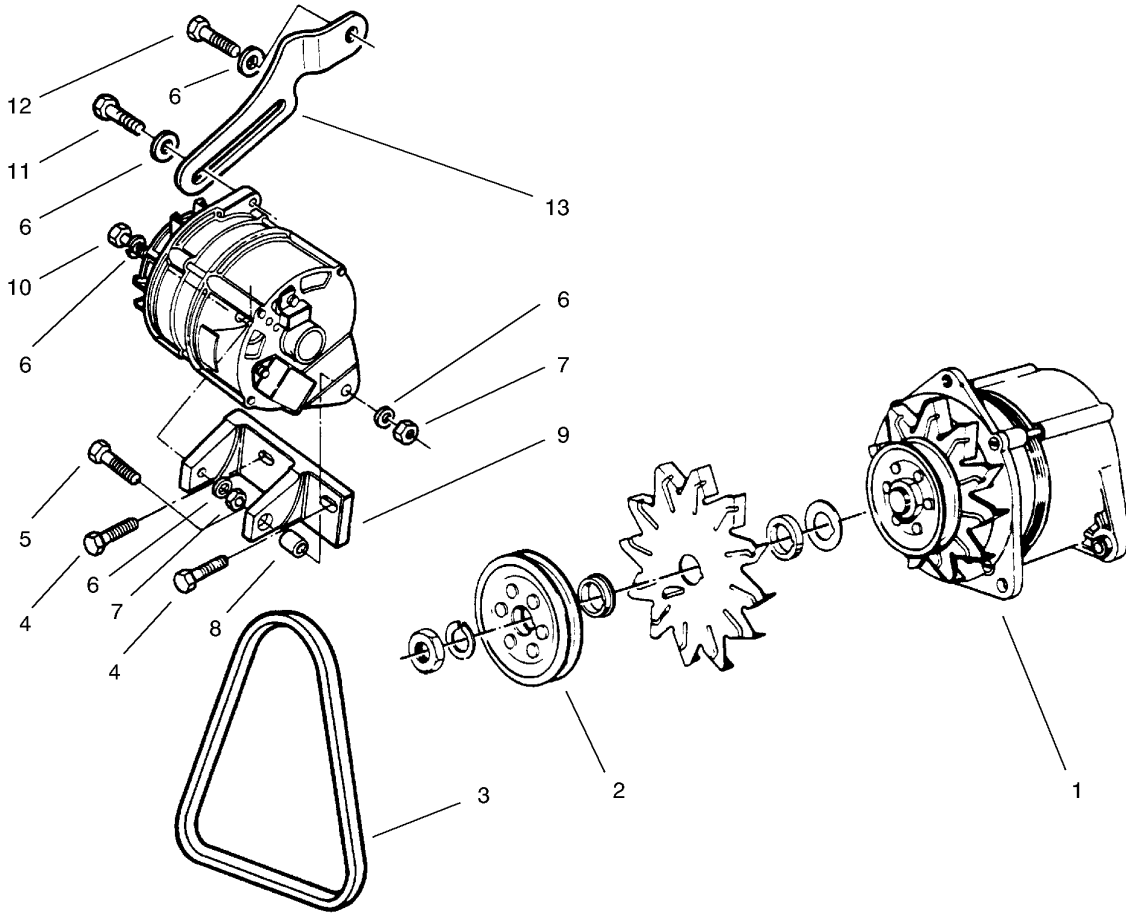
--	--	--	--



Ignition and Fuel Pump Assembly FORD VSG-4131-6007-Z

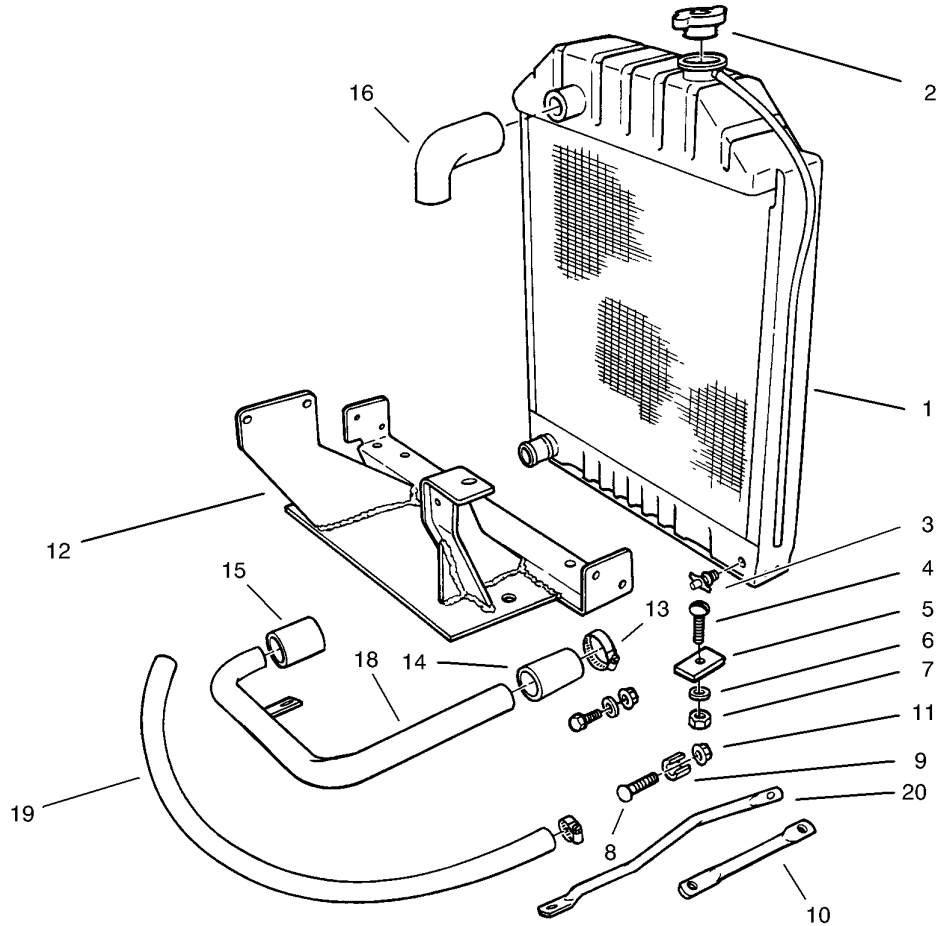
Ref	Part No.	Qty.	Description
❶	89BF-12287-AE	1	Wire-Spark Plug No.4
❷	89BF-12284-AE	1	Wire-Spark Plug No.3
❸	89BF-12283-AE	1	Wire-Spark Plug No.2
❹	88BF-12286-AE	1	Wire-Spark Plug No.1
❺	89FB-12A297-GA	1	Module-Ignition
❻	D7TZ-9155-E	1	Filter-Fuel (Motorcraft No. Fg778b)
❼	370829-S101	1	Elbow
❽	380882-S32	0	Clamp-Fuel Hose
❾	381103-S180A	1	Hose-Fuel
❿	83BF-9350-AA	1	Fuel Pump ASM
⓫	N602551-S2	2	Screw And Washer
⓬	83BM-9417-A1A	1	Gasket-Fuel Pump
⓭	AGRF22	0	Plug-Spark
⓮	AGSF22C	4	Plug-Spark (Motorcraft)
⓯	96BF-12024-A1A	1	Coil And Bracket ASM
⓰	E804335-S201	3	Screw

Ref	Part No.	Qty.	Description
⓱	89BF-12297-AA	1	Separator-Wire
⓲	E802166-S76	1	Screw
⓳	E865648-S	1	Separator-Wire
⓴	D9AZ12A197A	1	Valve
⓵	E8JL-12A200-AD	1	Main Engine Harness ASM



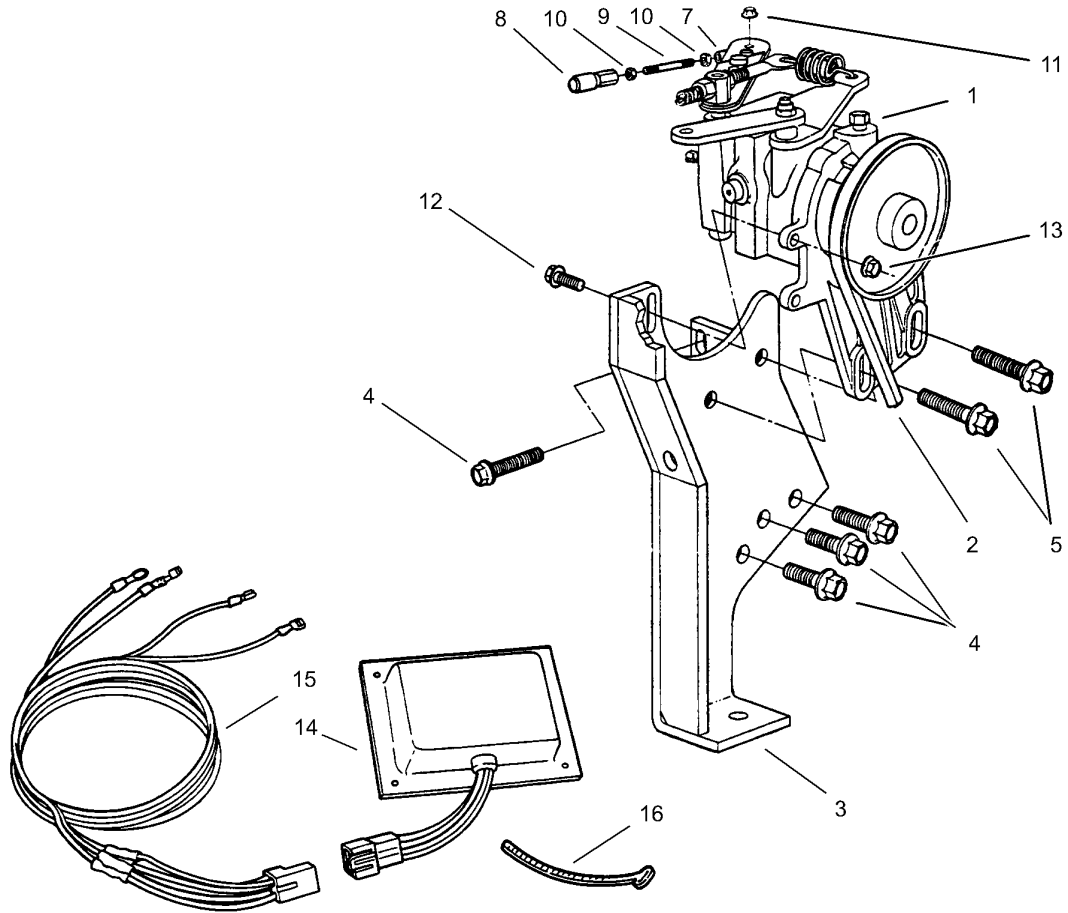
Alternator Regulator Assembly FORD VSG-4131-6007-Z

Ref	Part No.	Qty.	Description				
1	D2JI-103460AB	1	Alternator-51 Amp.				
2	D3JL-10A352-B	1	Pulley-Alternator				
3	DORY-8620-C	1	Belt-Water Pump/alternator				
4	N60580152	2	Bolt-M10-150 X 36 (Ubs)				
5	E601215-S200	1	Bolt-M8 X50				
6	E630173-S71M	5	Lockwasher				
7	E620013-S72	2	Nut-M8				
8	382400S2	1	Spacer				
9	F3JL-10039-AA	1	Mounting Bracket				
10	E600213-S101	1	Bolt-M8x40				
11	E602188-S72	1	Bolt-M8 X 25				
12	E602187-S72	1	Bolt				
13	781F-10145-AA	1	Adjusting Arm				



Radiator Assembly FORD VSG-4131-6007-Z

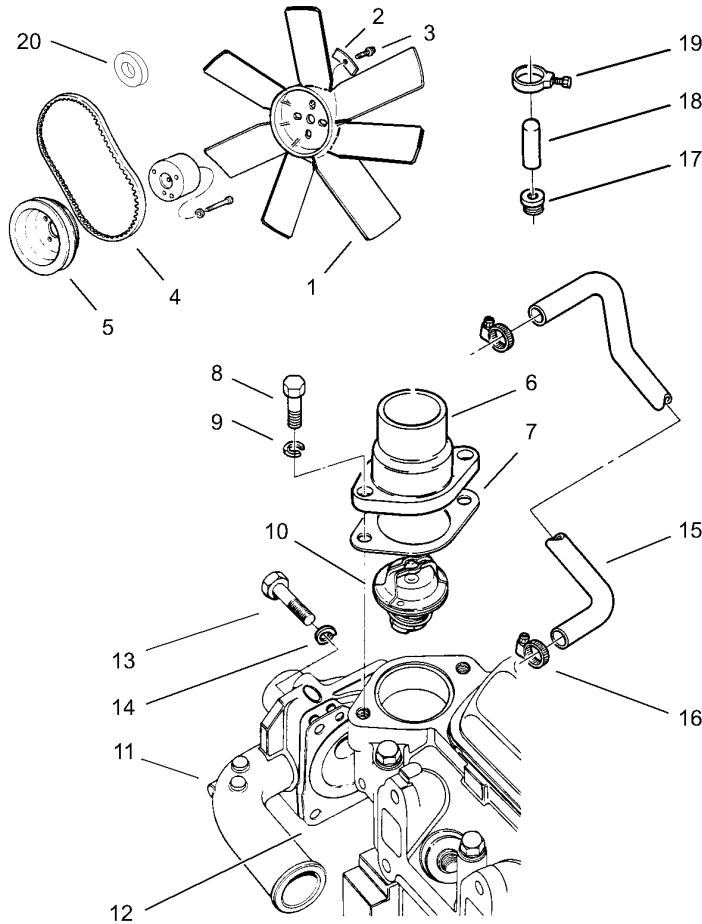
Ref	Part No.	Qty.	Description	Ref	Part No.	Qty.	Description
①	E9JL-8005-AA	1	Radiator ASM	⑮	E8JL-8A521-BA	1	Tube-Radiator To Water Pump
②	E2NN-8100-AA	1	Cap-Radiator, 7 Psi	⑯	E9JL-8548-CA	1	By-Pass Hose
③	8A-8115	1	Draincock	⑰	E9JL-8046-BA	1	Brace-LH
④	383465-S100	2	Bolt-Radiator To Front Support				
⑤	7C-8125-A	2	Insulator				
⑥	3828367-S100	2	Washer-7/16 Flat				
⑦	382400-S2	2	Nut-7/16-14				
⑧	588111-S2	2	Bolt-Carriage, 5/16-18 X 1.5				
⑨	E9JL-10A370-AA	2	Spacer-Brace To Radiator				
⑩	E9JL-8046-AA	1	Brace-RH				
⑪	33770-S2	2	Nut-5/16-18				
⑫	E8JL-5019-BA	1	Support				
⑬	B7AZ-8287-C	4	Clamp-Hose, 1.75				
⑭	D9AZ-8287-F	1	Clamp-Hose, 2.25				
⑮	E8JL-8286-AA	1	Hose-Lower				
⑯	E9JL-8286-AA	1	Hose-Water Pump, Inlet				
⑰	E5JL-8260-AA	1	Hose-Radiator, Upper				



Governor Assembly FORD VSG-4131-6007-Z

Ref	Part No.	Qty.	Description
1	E5JL-12450-AC	1	Governor-Variable Speed
2	E9JL-8620-AA	1	Belt-Governor
3	95-2474	1	Bracket-Governor
4	N800057-S2	3	Bolt
5	N605920-S2	2	Bolt-M10 X 33
7	E5JL-99810-BA	1	Balljoint
8	E7JL-99810-AA	1	Balljoint
9	E8JL-9A722-AB	1	Rod-Throttle
10	34079-S36	2	Nut-No. 10-32
11	55732-S2	1	Nut-Hex Flange, No. 10-32
12	N606677-S55	1	Screw And Washer M6 X 25
13	N620480-S2	1	Nut-M6
14	E4JL-90744-AB	1	Switch-Speed, Limiting
15	E4JL-14487-AA	1	Harness-Wiring
16	95873-S	1	Strap

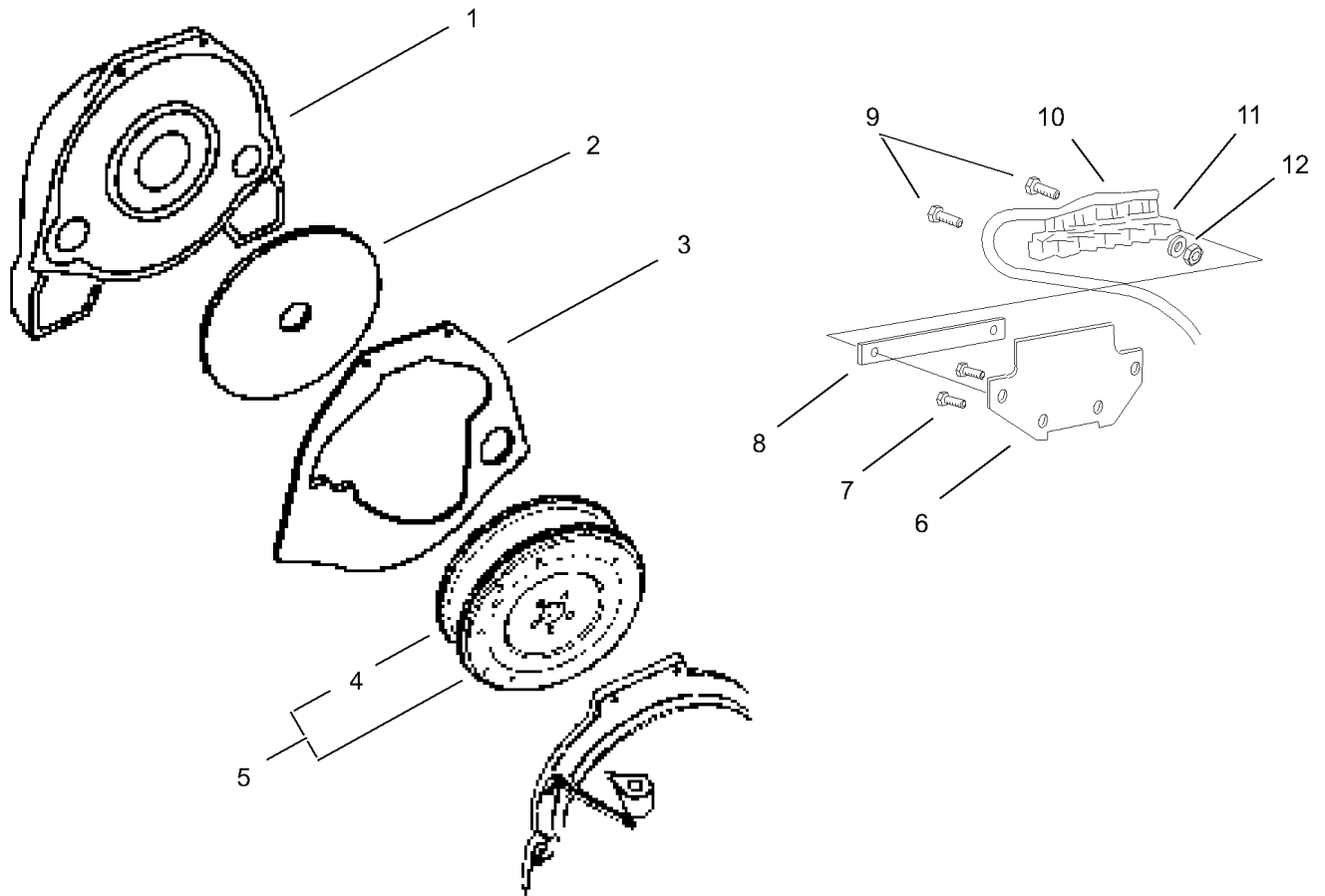
--	--	--	--



Fan, Water Pump and Thermostat Assembly FORD VSG-4131-6007-Z

Ref	Part No.	Qty.	Description
1	104-2532	1	Fan
2	E5JL-8N603-AA	1	Strap-Fan
3	N605905-S2	1	Bolt
4	E9JL-8620-A2A	1	Belt
5	F1JL-8509-AC	1	Pulley-Water Pump, 2 Groove
6	D7JL-8594-AA	1	Vertical Water Outlet Connection ASM
7	84BF8255AA	1	Gasket-Water Outlet
8	E602187-S72	2	Bolt
9	E630173-S71M	2	Lockwasher
10	D4PZ-8575-A	1	Thermostat
11	92BX-8591-AA	1	Pump-Water
12	89BM-8507-AA	1	Gasket-Water Pump
13	E600113-S72	3	Bolt
14	E832108-S71M	3	Lockwasher
15	E9JL-8548-CA	1	By-Pass Hose
16	E6TZ-9171-C	2	Clamp-Hose

Ref	Part No.	Qty.	Description
17	E6JL-8A574-AA	1	Plug-M22
18	C9AZ-9C492-A	1	Cap-Water Outlet Nipple
19	C9AZ-8287-A	2	Clamp-Hose
20	104-4605	1	Spacer



Main Harness and Fly Wheel Assembly FORD VSG-4131-6007-Z

Ref	Part No.	Qty.	Description
1	92-0283	1	Housing-Engine
2	92-0285	1	Coupling ASM
3	92-0284	1	Plate-Starter
4	D8RZ-6384-A	1	Ring Gear-Flywheel
5	84FM-6375-AB	1	Flywheel And Ring Gear ASM
6	E6JL-14A65-BA	1	Bracket-Terminal Block
7	N800057-S2	2	Bolt
8	E6JL-14F448-AA	1	Plate-Terminal Block
9	56503-S2	2	Bolt-1/4-20 X .75
10	F4JL-14305-BA	1	Harness ASM
11	DOHZ-14448-F	1	11 Stud Terminal Block ASM
12	383255-S36	11	Nut And Washer-10-20

--	--	--	--

NOTES

NOTES

