



22" Recycler[®] Lawnmower

Model No. 20013 - 230000001 and up.

Model No. 20017 - 230000001 and up.

Parts Catalog

Ordering Replacement Parts

To order replacement parts, please supply: the part number, the quantity, and the description of each part desired.

Understanding Reference Numbers

Each identified part in an illustration has a reference number. The reference number for a part also appears in the parts list, along with other information about the part.

This catalog uses two special reference number formats, one to indicate parts in a service assembly and another to indicate the quantity of a given part in an illustration.

Service Assembly Reference Numbers

Parts in service assemblies have reference numbers in the form **a:b**. The **a** represents the reference number of the entire service assembly and the **b** represents a sequential number unique to each part within the service assembly.

For example, a wheel assembly might be identified by reference number 6, the tire by **6:1**, the valve by **6:2**, and the wheel by **6:3**. When you order the assembly identified by reference number 6, you receive all parts identified by reference numbers 6:1, 6:2, and 6:3. However, you may also order any part individually. Reference numbers of this type appear in illustrations and in part lists.

Reference Numbers Indicating Quantity

In an illustration, if a reference number indicates more than one part, the reference number has the form **nX y**. The **n** represents the quantity of the part, the **X** is the multiplication symbol, and the **y** represents the reference number.

For example, in an illustration, the reference number **2X 37** means that two of the parts identified by reference number 37 are indicated.

Part Description Abbreviations

Part descriptions in this catalog may include the following abbreviations.

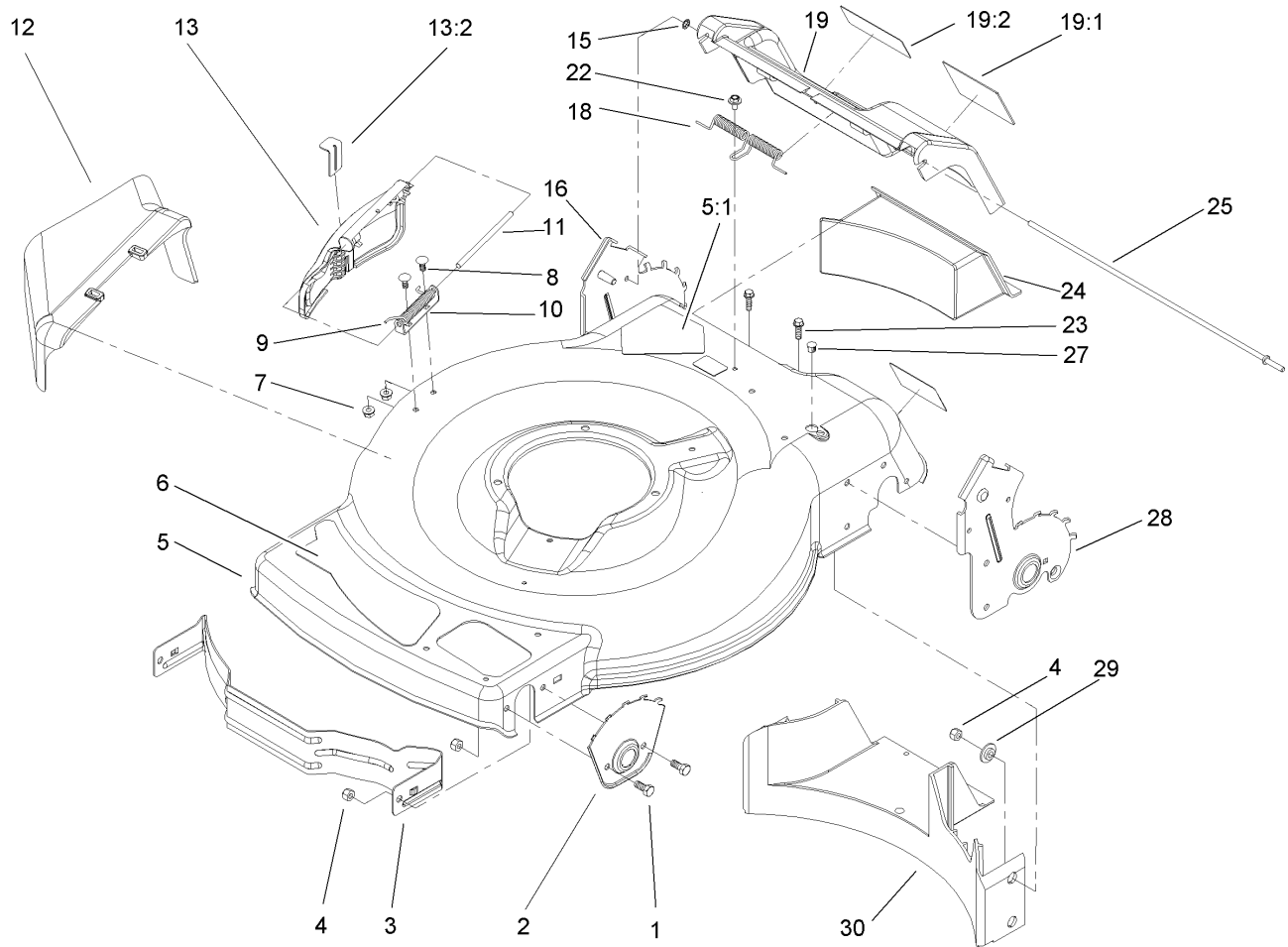
AR.	as required	HYD.	hydraulic
ASM.	assembly	INC.	incorporated
CARR.	carriage	LH.	left hand
DEG.	degrees	NI.	nylon insert
FH.	flat head	PPH.	phillips pan head
GA.	gauge	PTH.	phillips truss head
HF.	hex flange	PTO.	power take off
HH.	hex head	RH.	right hand
HHF.	hex head flange	SFH.	slotted fillister head
HHFTF.	hex head flange thread forming	SHH.	slotted hex head
HJ.	hex jam	SHWH.	slotted hex washer head
HLH.	hex lag head	SPH.	slotted pan head
HOC.	height-of-cut	SQH.	square head
HS.	hex	SRH.	slotted round head
HSBH.	hex socket button head	STD.	standard
HSFH.	hex socket flat head	TAP.	self tapping
HS.	hex socket head	TTH.	torx truss head
HWH.	hex washer head	WH.	wing head
HWHTF.	hex washer head thread forming		

Footnotes

- ❶ Not illustrated
- ❷ Not serviced separately
- ❸ Included in Repair Kit No. 632809
- ❹ Obtain parts from your local Tecumseh dealer

Contents

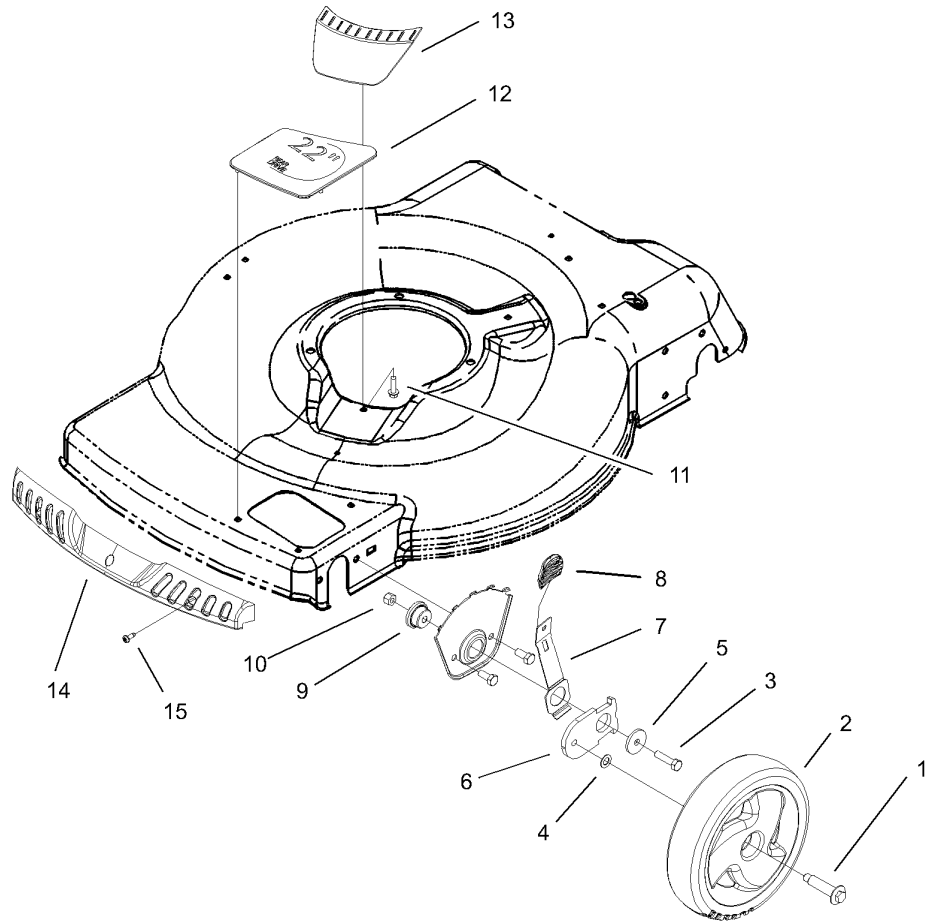
Description	Page	Description	Page
Housing Assembly 3	Carburetor Assembly No. 640303 Tecumseh	
Front Axle and Wheel Assembly 4	LEV120-362003A 14
Rear Axle and Transmission Assembly 5	Recoil Starter Assembly No. 590739	
Transmission Assembly No. 106-3956 6	Tecumseh LEV120-362003A 15
Engine and Blade Assembly 7	Recoil Starter Assembly No. 590702 (Optional)	
Handle Assembly 8	Tecumseh LEV120-362003A 16
Rear Bag Assembly 9		
Engine Assembly No. 1 Tecumseh LEV120-362003A 10		
Engine Assembly No. 2 Tecumseh LEV120-362003A 12		



Housing Assembly

Ref	Part No.	Qty.	Description
1	322-3	4	Screw-HH
2	105-1808-03	2	Plate-Hoc, Front
3	104-8694-03	1	Baffle-Front
4	3296-29	8	Nut-Lock, NI
5	104-7916	1	Housing (Only On: 20013)
5	104-7915	1	Housing (Only On: 20017)
5:1	94-8072	1	Decal-Danger, Cut Finger (Only On: 20013)
5:1	105-6838	1	Decal-Danger (Only On: 20017)
6	105-1297	1	Decal-Deck
7	32128-32	2	Nut-HHF
8	3229-11	2	Screw-CARR
9	99-5293	1	Spring-Torsion
10	99-5292	1	Bracket-Cover
11	99-5291	1	Rod-Cover
12	105-3028	1	Chute-Side Discharge
13	106-8339	1	Door-Discharge ASM
13:2	106-8338	1	Lever-Latch
15	32112-6	1	Pushnut
16	107-0790	1	RH Rear HOC Plate ASM (Only On: 20017)
16	105-3045	1	RH Rear HOC Plate ASM (Only On: 20013)
18	105-3032	1	Spring-Door, Rear
19	105-1323	1	Door (Only On: 20017)

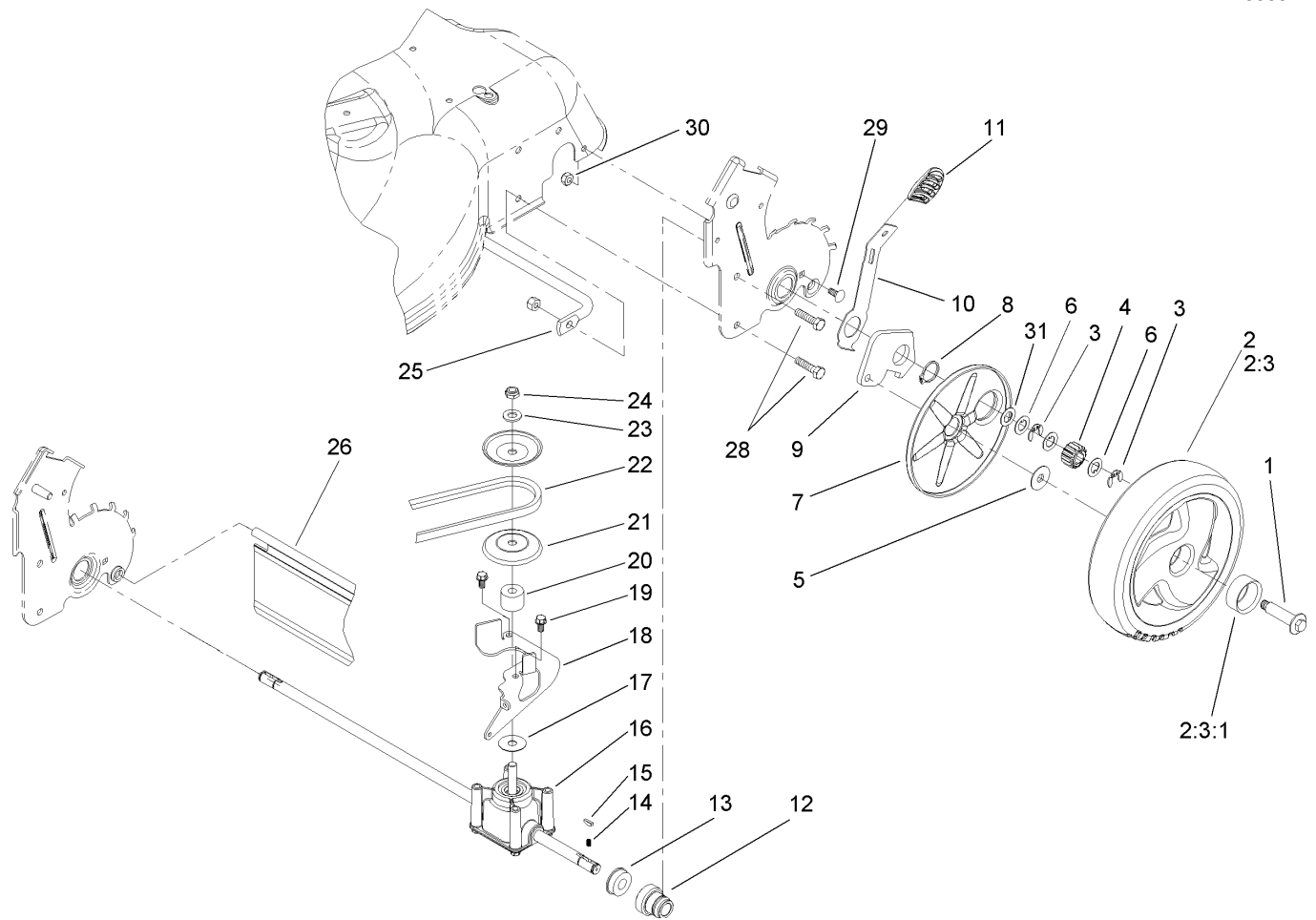
Ref	Part No.	Qty.	Description
19	105-1324	1	Door (Only On: 20013)
19:1	104-7909	1	Decal-Warning (Only On: 20013)
19:2	104-7908	1	Decal-Warning (Only On: 20013)
19:2	105-1295	1	Decal-Warning (Only On: 20017)
22	46-6810	1	Screw And Washer ASM
23	46-8091	2	Screw-HWH
24	105-1842	1	Plug-Discharge, Rear
25	105-1827	1	Rod-Pivot, Rear Door
27	104-9369	1	Plug-Dome
28	107-0783	1	LH Rear HOC Plate ASM (Only On: 20017)
28	105-3044	1	LH Rear HOC Plate ASM (Only On: 20013)
29	105-3006	4	Washer-Stepped
30	105-1834	1	Baffle-Rear



Front Axle and Wheel Assembly

Ref	Part No.	Qty.	Description
1	614650	2	Bolt-Shoulder
2	105-1814	2	Wheel ASM
3	322-6	2	Screw-HH
4	40-1940	2	Washer
5	105-3048	2	Washer-Flat
6	105-1807	2	Arm-Pivot, Front
7	105-1809	2	Arm-Spring
8	105-3042	2	Knob-Lever, HOC
9	105-1818	2	Bushing-Mount, HOC
10	3296-29	2	Nut-Lock, NI
11	46-8091	1	Screw-HWH
12	105-3004	1	Cover-Cutout
13	105-3005	1	Cover-Belt Opening
14	104-9359	1	Bumper-Mower
15	105-6849	3	Screw-Thread Forming

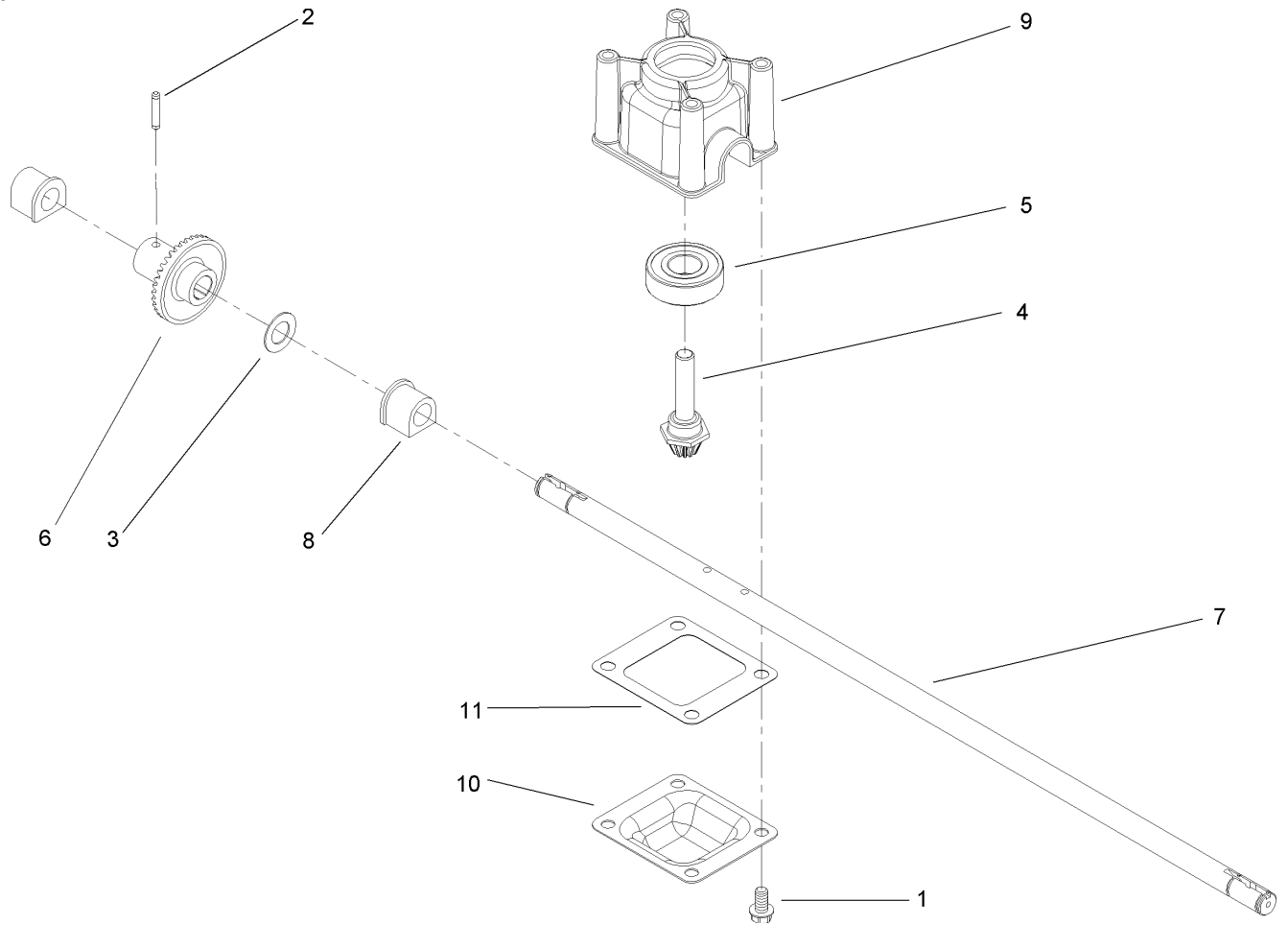
--	--	--	--



Rear Axle and Transmission Assembly

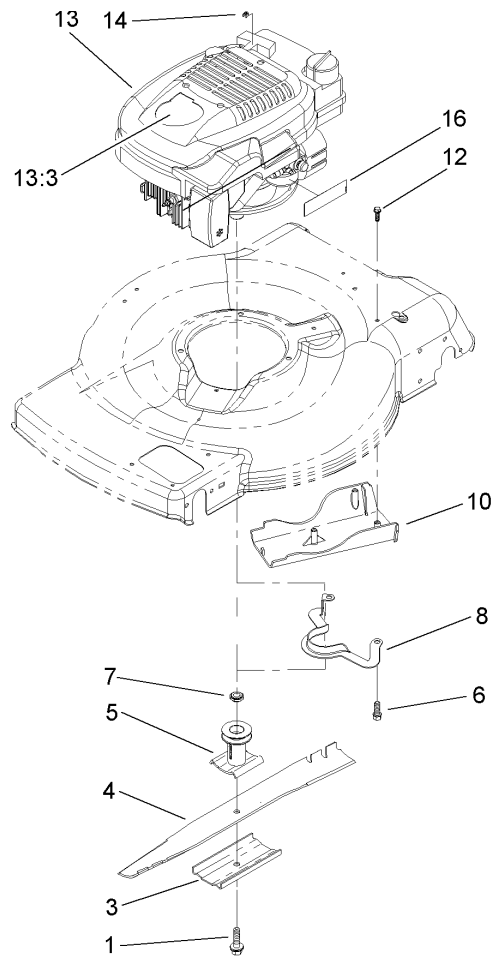
Ref	Part No.	Qty.	Description
1	614650	2	Bolt-Shoulder
2	105-3036	2	Wheel Gear ASM
2:3		1	Wheel Bushing ASM
2:3:1	27-6250	2	Bushing
3	65-2720	4	Klipring-Locking
4	105-3040	2	Gear-Pinion, 15t
5	614426	2	Washer-Stepped
6	105-6840	6	Washer-Thrust
7	105-1838	2	Cover-Wheel
8	32151-36	2	Ring-Retaining
9	105-1819	2	Arm-Pivot, Rear
10	105-1809	2	Arm-Spring
11	105-3042	2	Knob-Lever, HOC
12	104-8698	2	Retainer-Bearing, HOC
13	104-8699	2	Bearing-Ball
14	39-9650	2	Spring-Compression
15	612066	2	Key
16	106-3956	1	Transmission ASM
17	105-6814	1	Washer-Shield
18	105-1832-03	1	Bracket-Pivot
19	32144-4	2	Screw-HWH
20	92-5791	1	Spacer
21	100-1176	2	Pulley-Half
22	91-2258	1	V-Belt

Ref	Part No.	Qty.	Description
23	3256-24	1	Washer-Flat
24	3296-5	1	Nut-Lock, NI
25	105-1811	1	Brace-HOC Plate
26	105-1843	1	Shield-Trailing
28	322-6	4	Screw-HH
29	3229-11	2	Screw-CARR
30	3296-16	2	Nut-Lock, NI
31	36-4780	1	Washer



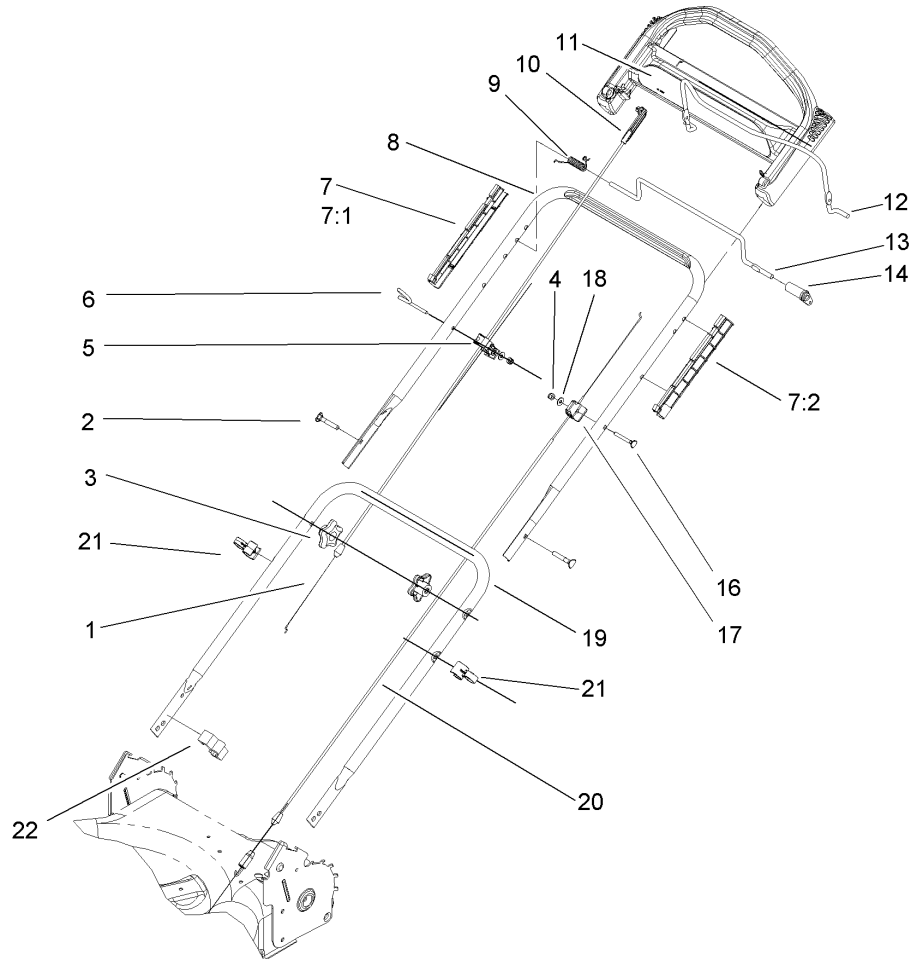
Transmission Assembly No. 106-3956

Ref	Part No.	Qty.	Description				
1	32144-4	4	Screw-HWH				
2	105-6817	1	Pin-Groove				
3	36-4780	1	Washer				
4	92-5790	1	Pinion				
5	100-1048	1	Bearing-Ball				
6	104-8671	1	Gear-Bevel, 37t				
7	106-3957	1	Shaft-Output				
8	104-8673	2	Bushing-Shaft, Output				
9	104-8674	1	Gearcase-Upper				
10	104-8675-03	1	Cover-Gearcase				
11	105-6839	1	Gasket-Gearcase				



Engine and Blade Assembly

Ref	Part No.	Qty.	Description				
1	105-8579	1	Bolt-Blade				
3	105-3029-03	1	Support-Blade				
4	104-8697-03	1	Blade-22 Inch				
5	106-3987	1	Blade Driver ASM				
6	95-1726	3	Screw-Taptite				
7	106-3999	1	Spacer-Driver				
8	105-3030-03	1	Guide-Belt				
10	105-1835	1	Cover-Belt, Rear				
12	46-8091	3	Screw-HWH				
13		1	Engine-Tecumseh, Lev120-362003a				
13:3	105-6815	1	Decal-Recoil				
14	92-1701	1	Stop-Rope				
16	105-6832	1	Decal-Primer (Only On: 20013)				



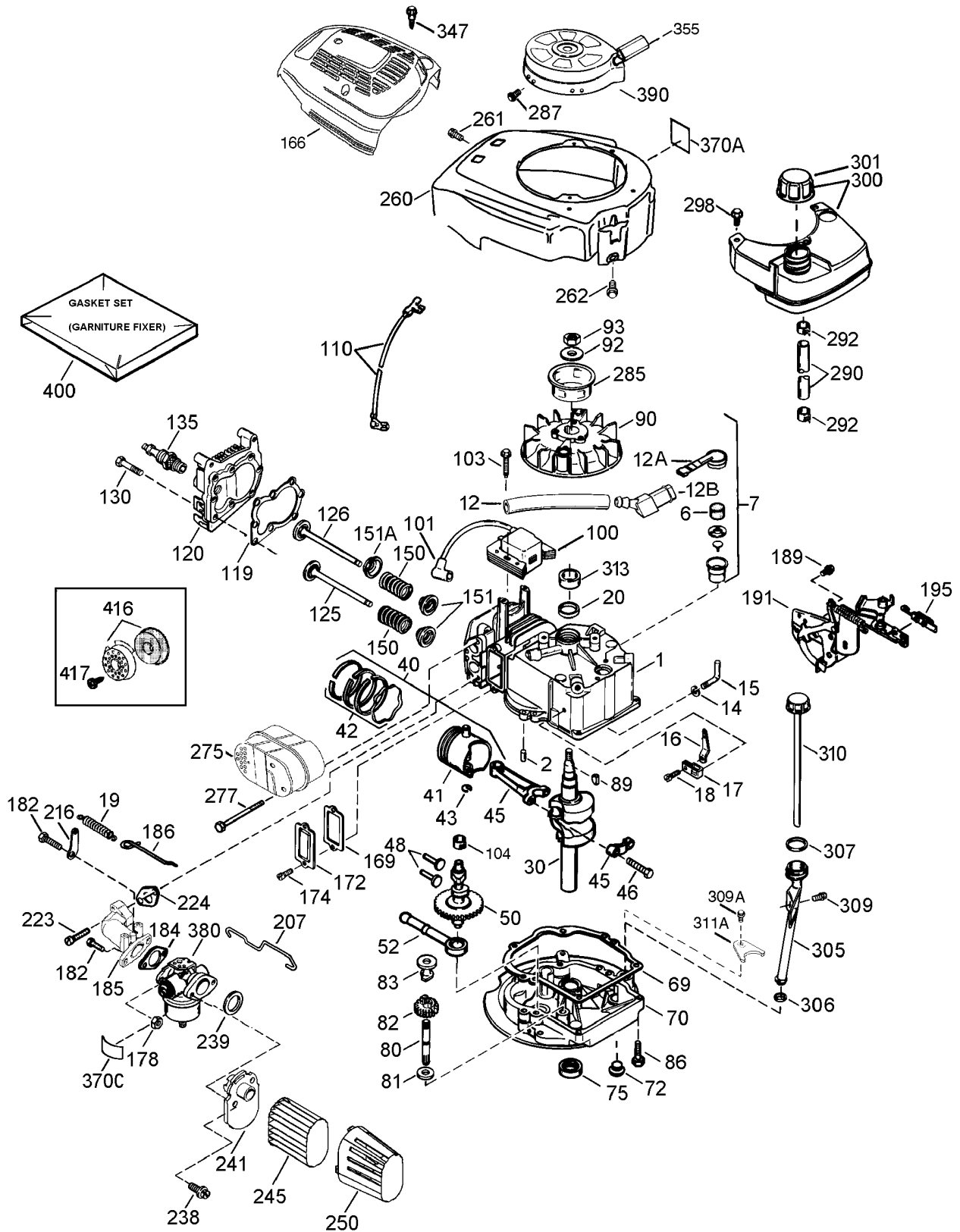
Handle Assembly

Ref	Part No.	Qty.	Description
1	104-8676	1	Cable-Brake
2	92-2260	2	Screw-Handle
3	106-4161	2	Knob-Handle
4	3296-73	2	Nut-Lock, NI
5	99-5239	1	Anchor-Cable (Serial Range 230000001-230045339)
5	106-8331	1	Anchor-Cable (Serial Range 230045339-230599999)
6	105-3049	1	Guide-Rope (Serial Range 230600000-230612003)
6	106-8330	1	Guide-Rope (Serial Range 230612004 And Up)
7	105-8593	1	Handle Guide Kit
7:1	105-6841	1	Guide-RH
7:2	105-6842	1	Guide-LH
8	104-8680-05	1	Handle-Upper
9	104-8690	1	Spring-Torsion
10	104-8678	1	Handle-Control
11	105-3033	1	Decal-Control Handle
12	104-8679-03	1	Bail-Brake
13	99-1588	1	Bar-Control, Traction
14	99-1589	1	Lever-Traction
16	95-4453	1	Screw
17	92-7729	1	Anchor-Upper, Cable
18	3256-1	2	Washer-Flat

Ref	Part No.	Qty.	Description
19	106-6822-05	1	Handle-Lower (Only On: 20013)
19	107-0784-05	1	Handle-Lower (Only On: 20017)
20	105-1844	1	Cable-Traction
21	106-6805	2	Guide-Cable
22	105-6830	1	Guide-Cable

Engine Assembly No. 1

Tecumseh LEV120-362003A



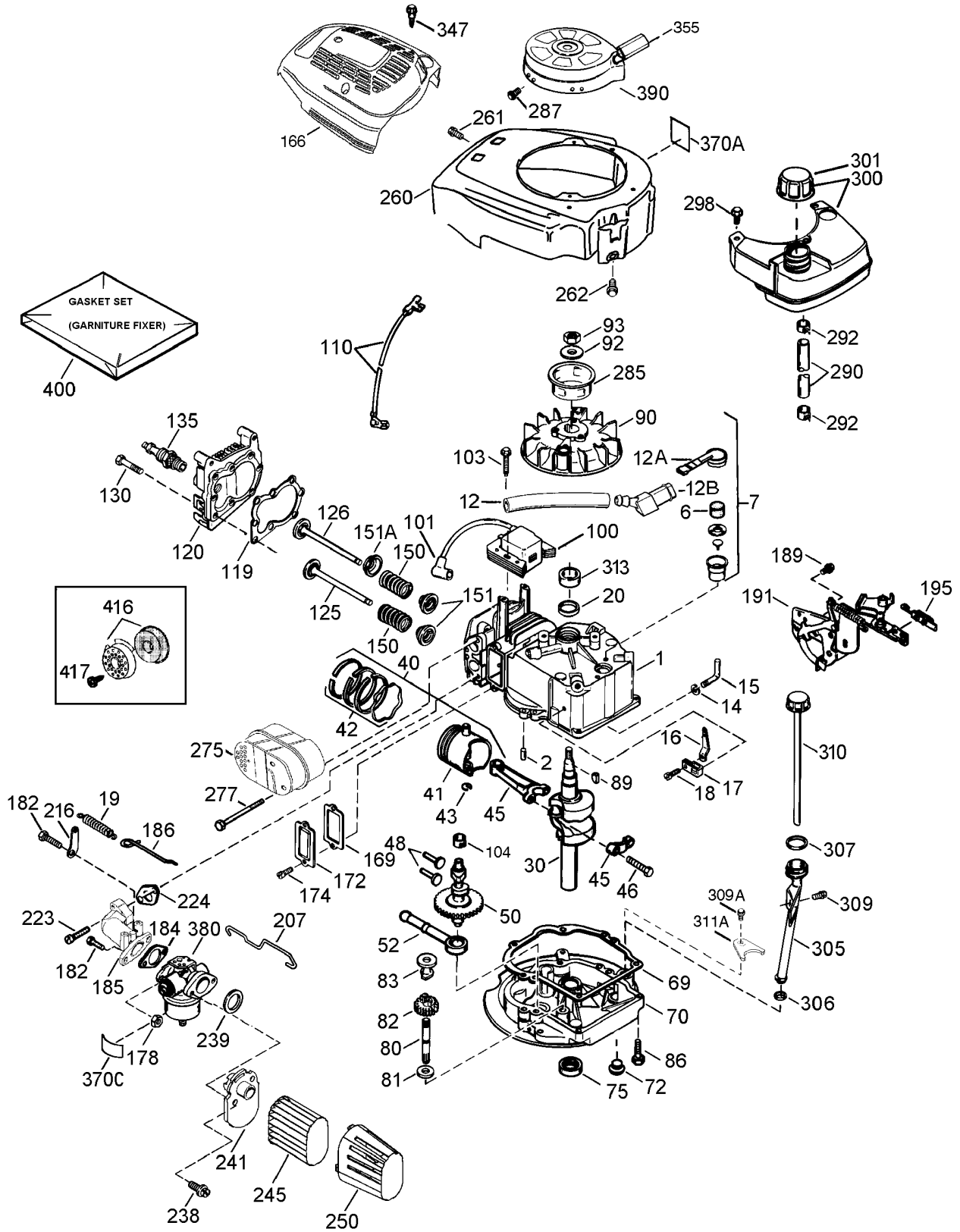
Engine Assembly No. 1

Tecumseh LEV120-362003A

Ref	Part No.	Qty.	Description	Ref	Part No.	Qty.	Description
④ 1	37465	1	Cylinder ASM (Incl. Ref. #2, 20 And 150)	④ 125	37288	1	Valve-Exhaust (Std.) (Incl. Ref. #151)
④ 2	26727	2	Pin-Dowel	④ 126	37289	1	Valve-Intake (Std.) (Incl. Ref. #151 And 151a)
④ 6	33734	1	Element-Element	④ 130	6021A	8	Screw, 5/16-18 X 1-1/2"
④ 7	36557	1	Breather Body ASM	④ 135	35395	1	Spark Plug-Resistor (Rj19lm)
④ 12	36775	1	Tube-Breather	④ 150	31672	2	Spring-Valve
④ 12A	36558	1	Breather Cover And Tube ASM	④ 151	31673	2	Cap-Valve Spring
④ 12B	36694	1	Elbow-Tube, Breather	④ 151A	40017	1	Bearing-Trans
④ 14	28277	1	Washer	④ 166	37694	1	Shroud-Engine
④ 15	30589	1	Rod-Governor	④ 169	36783	1	Gasket-Cover, Valve
④ 16	34839A	1	Lever-Governor	④ 172	36784	1	Cover-Valve
④ 17	31335	1	Clamp-Governor	④ 174	30200	2	Screw
④ 18	651018	1	Screw	④ 178	29752	2	Nut And Lock Washer Asm, 1/4-28
④ 19	36281	1	Spring	④ 182	6201	2	Screw
④ 20	32600	1	Seal-Oil	④ 184	26756	1	Gasket-Carburetor
④ 30	37692	1	Crankshaft	④ 185	37466	1	Pipe-Intake
④ 40	40027	1	Piston, Pin And Ring Set (Std.)	④ 186	32653	1	Link-Governor
④ 41	40042	1	Piston And Pin ASM (Std.)(Incl. Ref. #43)	④ 189	650839	2	Screw
④ 42	40006	1	Ring Set	④ 191	36559A	1	Bracket-Brake, S.e (Incl. Ref. #195)
④ 43	20381	2	Ring-Retaining	④ 195	610973	1	Terminal
④ 45	36777	1	Connecting Rod ASM (Incl. Ref. #46)	④ 207	34336A	1	Link-Throttle
④ 46	32610A	2	Screw	④ 216	33086	1	Lever-Rpm Adjusting
④ 48	27241	2	Lifter-Valve	④ 223	650451	2	Screw
④ 50	37460	1	Camshaft (Incl. Ref. #104)	④ 224	36786	1	Gasket-Pipe, Intake
④ 52	29914	1	Oil Pump ASM	④ 238	650932	2	Screw
④ 69	37609	1	Gasket-Mounting Flange	④ 239	34338	1	Gasket-Air Cleaner
④ 70	37608	1	Flange-Mounting (Incl. Ref. #72-83, 206, 309a And 311a)	④ 241	36919	1	Vollar-Air Cleaner
④ 72	37614	1	Plug-Drain, Oil	④ 245	36905	1	Filter-Air Cleaner
④ 75	27897	1	Seal-Oil	④ 250	37122	1	Cover-Air Cleaner
④ 80	30574A	1	Shaft-Governor	④ 260	37696A	1	Housing-Blower
④ 81	30590A	1	Washer	④ 261	30200	2	Screw
④ 82	30591	1	Gear-Governor (Incl. Ref. # 81)	④ 262	650831	2	Screw
④ 83	30588A	1	Spool-Governor	④ 275	37498	1	Muffler
④ 86	650488	6	Screw	④ 277	650988	2	Screw
④ 89	611004	1	Key-Woodruff	④ 285	35000A	1	Cup-Starter
④ 90	611112	1	Flywheel	④ 287	650926	2	Screw, 8-32 X 21/64"
④ 92	650815	1	Washer-Belleville	④ 290	29774	1	Line-Fuel
④ 93	650816	1	Nut-Flywheel	④ 292	26460	2	Clamp-Line, Fuel
④ 100	34443C	1	Ignition-Solid State	④ 300	35586A	1	Tank-Fuel (Incl. Ref. #292 And 301)
④ 101	610118	1	Cover-Spark Plug	④ 301	36246	1	Cap-Fuel
④ 103	651007	2	Screw, T-15, 10-24 X 15/16"	④ 305	35647	1	Tube-Oil Fill
④ 104	37480	1	Bushing-Cam	④ 306	37610	1	O-Ring
④ 110	37047	1	Wire-Ground	④ 307	35499	1	O-Ring
④ 119	36787	1	Gasket-Head, Cylinder	④ 309	650562	1	Screw
④ 120	36825	1	Head-Cylinder	④ 309A	650783	1	Screw-HH
④ 125	36780	1	Valve-Exhaust (1/32" Os) (Incl. Ref. #151)	④ 310	35648	1	Dipstick
				④ 311A	37611	1	Bracket-Hold Down

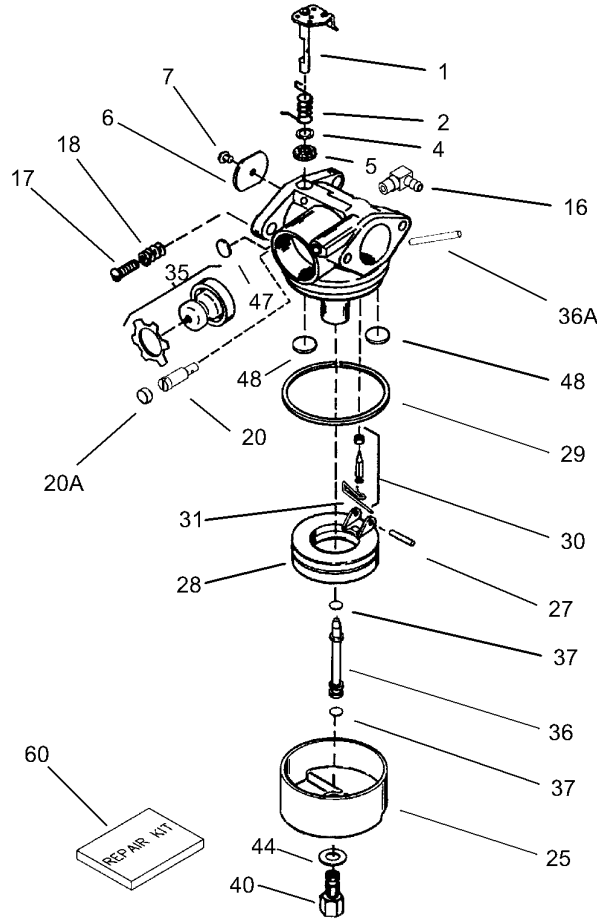
Engine Assembly No. 2

Tecumseh LEV120-362003A



Engine Assembly No. 2 Tecumseh LEV120-362003A

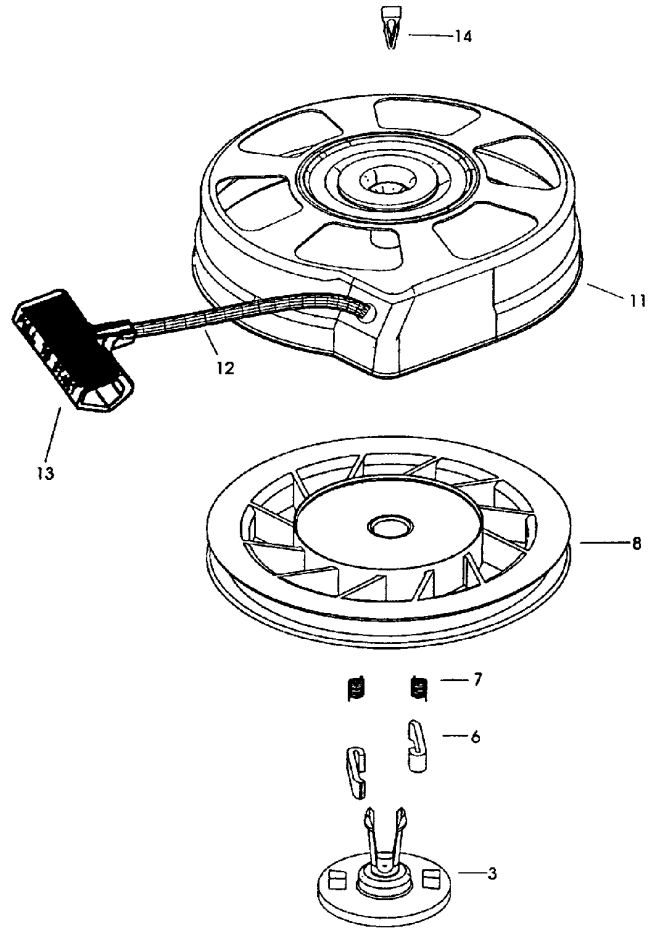
Ref	Part No.	Qty.	Description				
④313	34080	1	Spacer				
④347	650898A	1	Screw				
④370	35977	1	Decal-Caution				
④370A	36261	2	Decal-Instruction				
④370C	37695	1	Decal-Primer				
④380	640303	1	Carburetor ASM				
④390	590739	1	Rewind Starter ASM				
④400	37613	1	Gasket Set				
④416	37530	1	Spark Arrestor Kit				
①④	750876	1	Shortblock				



Carburetor Assembly No. 640303 Tecumseh LEV120-362003A

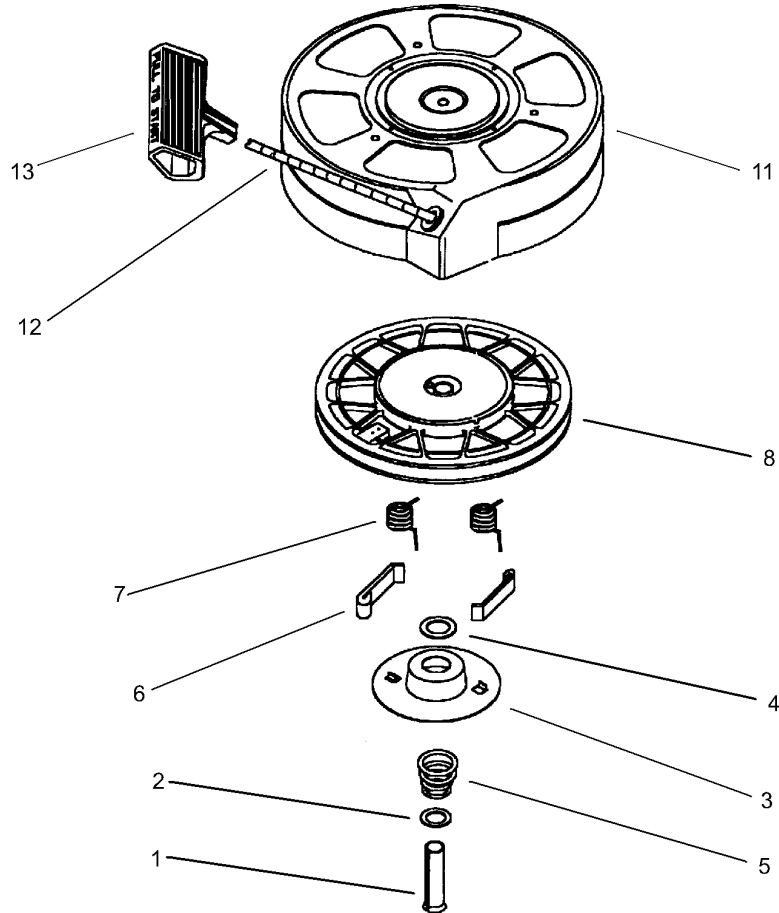
Ref	Part No.	Qty.	Description
④0	640303	1	Carburetor ASM (Incl. Ref. #184)
④1	631615	1	Shaft And Lever ASM
④2	631767	1	Spring-Return
③④4	631184	1	Washer-Dust Seal
③④5	631183	1	Seal-Dust, Throttle
④6	640070	1	Shutter-Throttle
③④7	650506	1	Screw-Shutter
④16	631807	1	Fitting-Fuel
④17	651025	1	Screw-Idle
④18	630766	1	Spring-Tension
④20	640018	1	Screw-Idle Restrictor
③④20A	640200	1	Screw-Idle Restrictor
④25	631867	1	Float-Bowl
③④27	631024	1	Shaft-Float
④28	632802	1	Float (Plastic)
③④29	631028	1	O Ring-Bowl, Float
③④30	632807	1	Inlet Needle, Seat, And Clip (Incl. Ref. #31)
③④31	631022	1	Clip-Spring
④35	640259	1	Primer Bulb / Retainerring ASM
④36	640019	1	Tube-Nozzle, Main
④36A	632766	1	Tube-Vent, Bowl
③④37	632547	2	O Ring-Tube, Main Nozzle
④40	640087	1	Nut-Bowl, Float

Ref	Part No.	Qty.	Description
③④44	27110A	1	Washer-Nut, Bowl
③④47	630748	1	Plug-Welch, Idle Mixture Well
③④48	631027	2	Plug-Welch, Vent
③④60	632809	1	Repair Kit



Recoil Starter Assembly No. 590739 Tecumseh LEV120-362003A

Ref	Part No.	Qty.	Description				
0	590739	0	Rewind Starter ASM				
3	590740	1	Retainer				
6	590616	2	Dog-Starter				
7	590617	2	Spring-Dog				
8	590618A	1	Pulley And Rewind Spring ASM				
11	590638	1	Housing Assembly-Starter				
12	590535	1	Rope-Starter (Length 98" X 9/64" Dia)				
13	590701	1	Handle-Starter				
14	590760	1	Clip-Spring				



Recoil Starter Assembly No. 590702 (Optional) Tecumseh LEV120-362003A

Ref	Part No.	Qty.	Description				
④0	590702	0	Recoil Starter				
④1	590599A	1	Spring Pin (Incl. Ref. #4)				
④2	590600	1	Washer				
④3	590696	1	Retainer				
④4	590601	1	Washer				
④5	590697	1	Spring-Brake				
④6	590698	2	Dog-Starter				
④7	590699	2	Spring-Dog				
④8	590700	1	Pulley And Spring-Rewind				
④11	590703A	1	Starter Housing ASM (40 Degree Grommet)				
④12	590535	1	Rope-Starter (Length 98" X 9/64" Dia)				
④13	590701	1	Handle-Starter				

NOTES

NOTES

NOTES

