



## 36in Recycler<sup>®</sup> Kit for Fixed Deck Mid-Size Mowers

Model No. 30142

### Parts Catalog

---

#### Ordering Replacement Parts

To order replacement parts, please supply: the part number, the quantity, and the description of each part desired.

#### Understanding Reference Numbers

Each identified part in an illustration has a reference number. The reference number for a part also appears in the parts list, along with other information about the part.

This catalog uses two special reference number formats, one to indicate parts in a service assembly and another to indicate the quantity of a given part in an illustration.

#### Service Assembly Reference Numbers

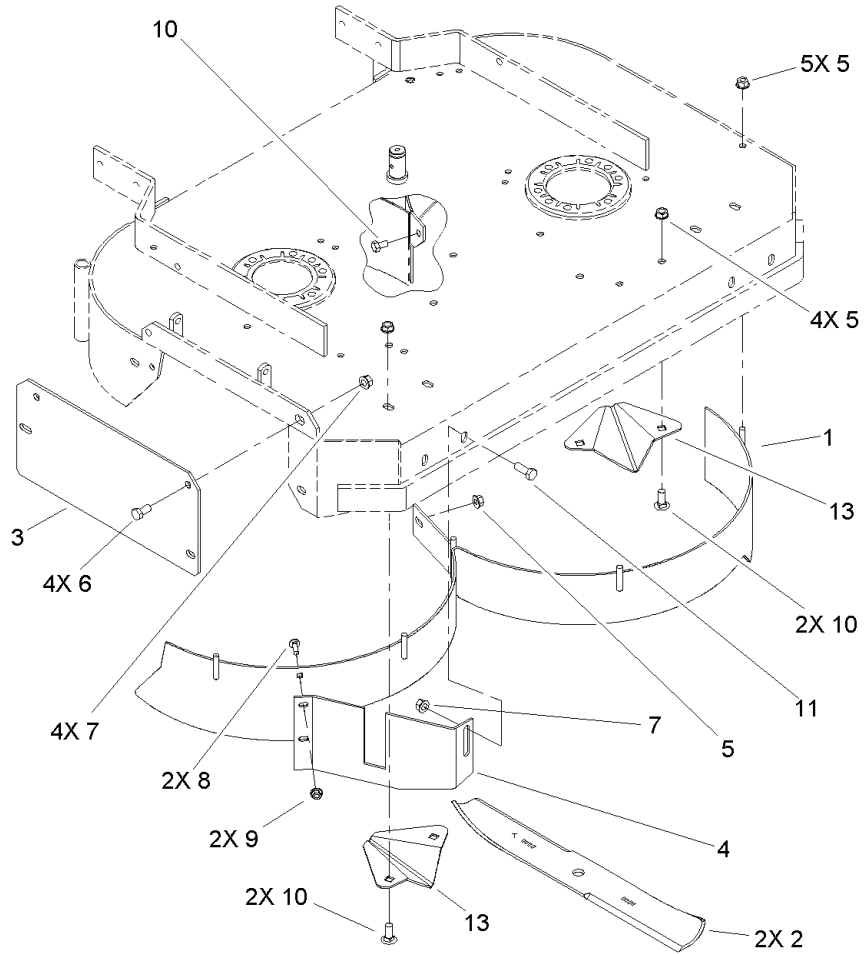
Parts in service assemblies have reference numbers in the form **a:b**. The **a** represents the reference number of the entire service assembly and the **b** represents a sequential number unique to each part within the service assembly.

For example, a wheel assembly might be identified by reference number 6, the tire by **6:1**, the valve by **6:2**, and the wheel by **6:3**. When you order the assembly identified by reference number 6, you receive all parts identified by reference numbers 6:1, 6:2, and 6:3. However, you may also order any part individually. Reference numbers of this type appear in illustrations and in part lists.

#### Reference Numbers Indicating Quantity

In an illustration, if a reference number indicates more than one part, the reference number has the form **nX y**. The **n** represents the quantity of the part, the **X** is the multiplication symbol, and the **y** represents the reference number.

For example, in an illustration, the reference number **2X 37** means that two of the parts identified by reference number 37 are indicated.



## Recycler Assembly

Ref	Part No.	Qty.	Description	
1	1-302226-03	1	Baffle-Mulch	
2	103-2518	2	Blade-Mulch	
3	1-303494-01	1	Plate-Cover	
4	1-303571-03	1	Plate-Mulch, Front	
5	32128-20	10	Nut-HF	
6	323-4	4	Screw-HH	
7	3290-357	5	Nut-HHF	
8	1-807512	2	Bolt-CARR	
9	32128-33	2	Nut-HF	
10	322-2	5	Screw-HH	
11	323-6	1	Screw-HH	
13	1-323655-03	2	Kicker-Deck	