



**Count on it.**

**Parts Catalog**

**Pro Force® Debris Blower**

Model No. 44554—Serial No. 418100000 and Up



# Ordering Replacement Parts

To order replacement parts, please supply the part number, the quantity, and the description of each part desired.

## Understanding Reference Numbers

Each identified part in an illustration has a reference number. The reference number for a part also appears in the parts list, along with other information about the part.

This catalog uses two special reference number formats, one to indicate parts in a service assembly and another to indicate the quantity of a given part in an illustration.

## Service Assembly Reference Numbers

Parts in service assemblies have reference numbers in the form a:b. The a represents the reference number of the entire service assembly and the b represents a sequential number unique to each part within the service assembly.

For example, a wheel assembly might be identified by reference number 6, the tire by 6:1, the valve by 6:2, and the wheel by 6:3. When you order the assembly identified by reference number 6, you receive all parts identified by reference numbers 6:1, 6:2, and 6:3. However, you may also order any part individually. Reference numbers of this type appear in illustration and in parts lists.

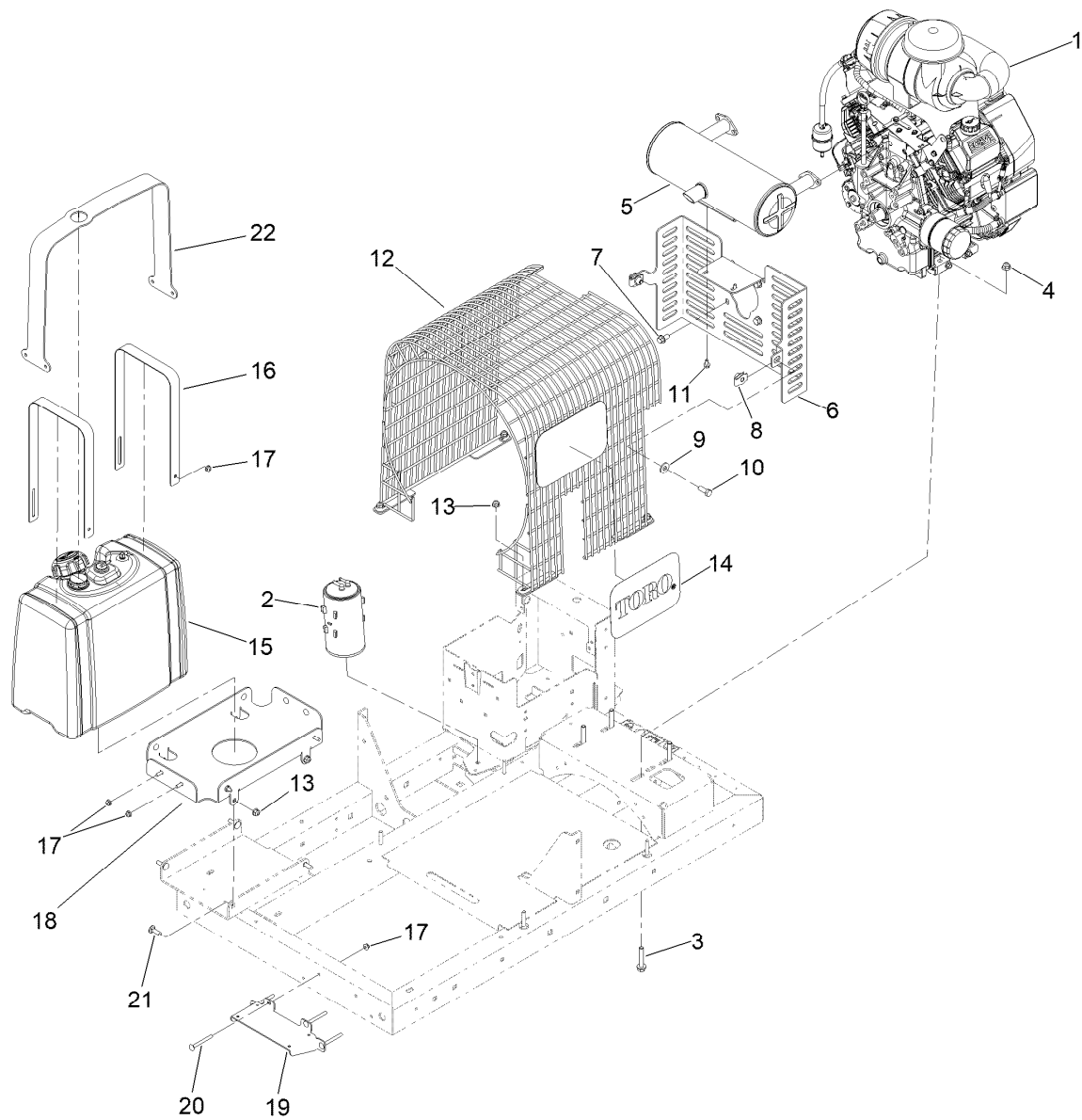
## Reference Numbers Indicating Quantity

In an illustration, if a reference number indicates more than one part, the reference number has the form nX y. The n represents the quantity of the part, the X is the multiplication symbol, and the y represents the reference number.

For example, in an illustration, the reference number 2X 37 means that two of the parts identified by reference number 37 are indicated.

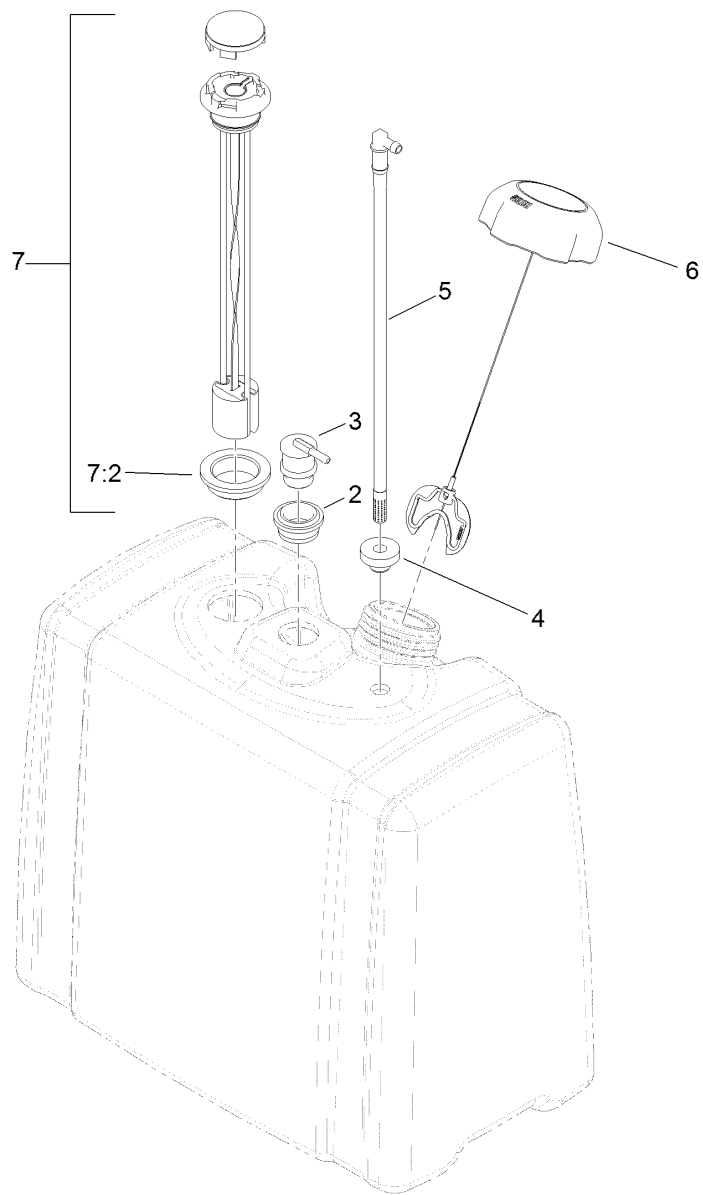
# Contents

Engine, Muffler and Fuel Tank Assembly .....	4
Fuel Tank Assembly No. 115-9048 .....	5
Fuel Delivery Assembly .....	6
Electrical Assembly .....	7
Tethered Control Assembly No. 119-6341 .....	8
Frame, Wheel, Axle and Hitch Assembly .....	9
Hub and Axle Assembly No. 144-3630 .....	11
Frame Assembly .....	12
Axle Assembly No. 119-2966 .....	13
Hitch Assembly No. 119-3005 .....	14
Turbine Mounting Assembly .....	15
Turbine Assembly No. 140-6946SP .....	16
Nozzle Assembly .....	17
Driveshaft and Battery Assembly .....	18



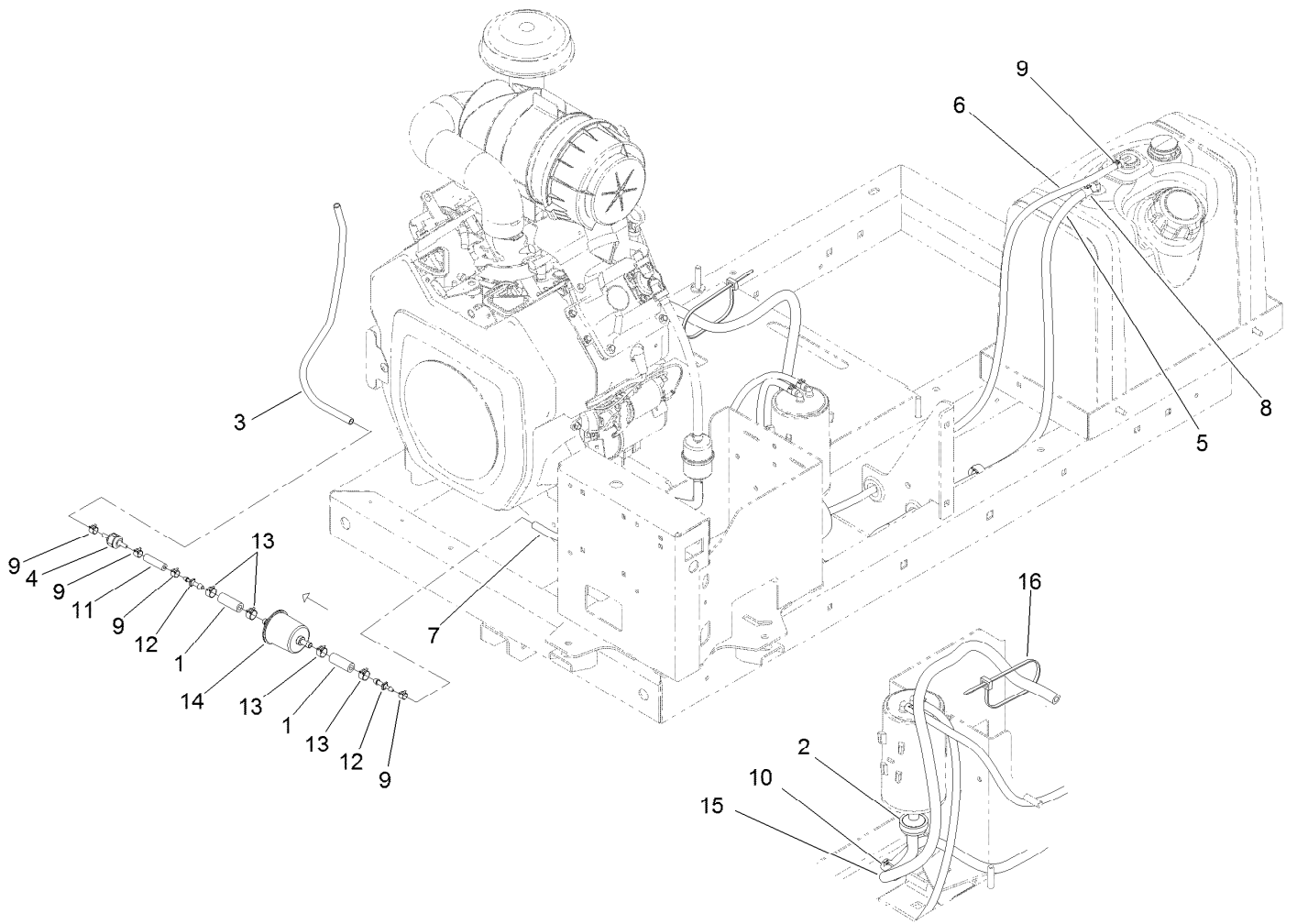
## Engine, Muffler and Fuel Tank Assembly

Ref.	Part Number	Qty.	Description	Ref.	Part Number	Qty.	Description
1	145-7468	1	Engine-Kohler	12	112-6876	1	Grill-Top
2	127-8685	1	Canister-Carbon	13	104-8300	8	Nut-HF, NI
3	66-9302	4	Screw-HHF Lock	14	92-1242	2	Decal
4	104-8301	4	Nut-HF, NI	15	115-9048	1	Fuel Tank ASM
5	112-6862	1	Muffler	16	119-6285	2	Strap-Hold Down, Tank
6	119-6171-03	1	Mount-Muffler	17	104-7201	12	Nut-HF, NI
7	110-1718	4	Screw-HHSF,Patch	18	145-7461-01	1	Mount-Tank, 5GA [red]
8	105-4886	2	Nut-Tinnerman	19	140-6766-01	1	Plate-Mount
9	80-6990	2	Washer-Hardened	20	3229-8	4	Screw-CARR
10	323-6	2	Screw-HH	21	3230-2	4	Bolt-CARR
11	33103-012	2	Screw-HHF	22	144-3629-03	1	Guard-Gauges



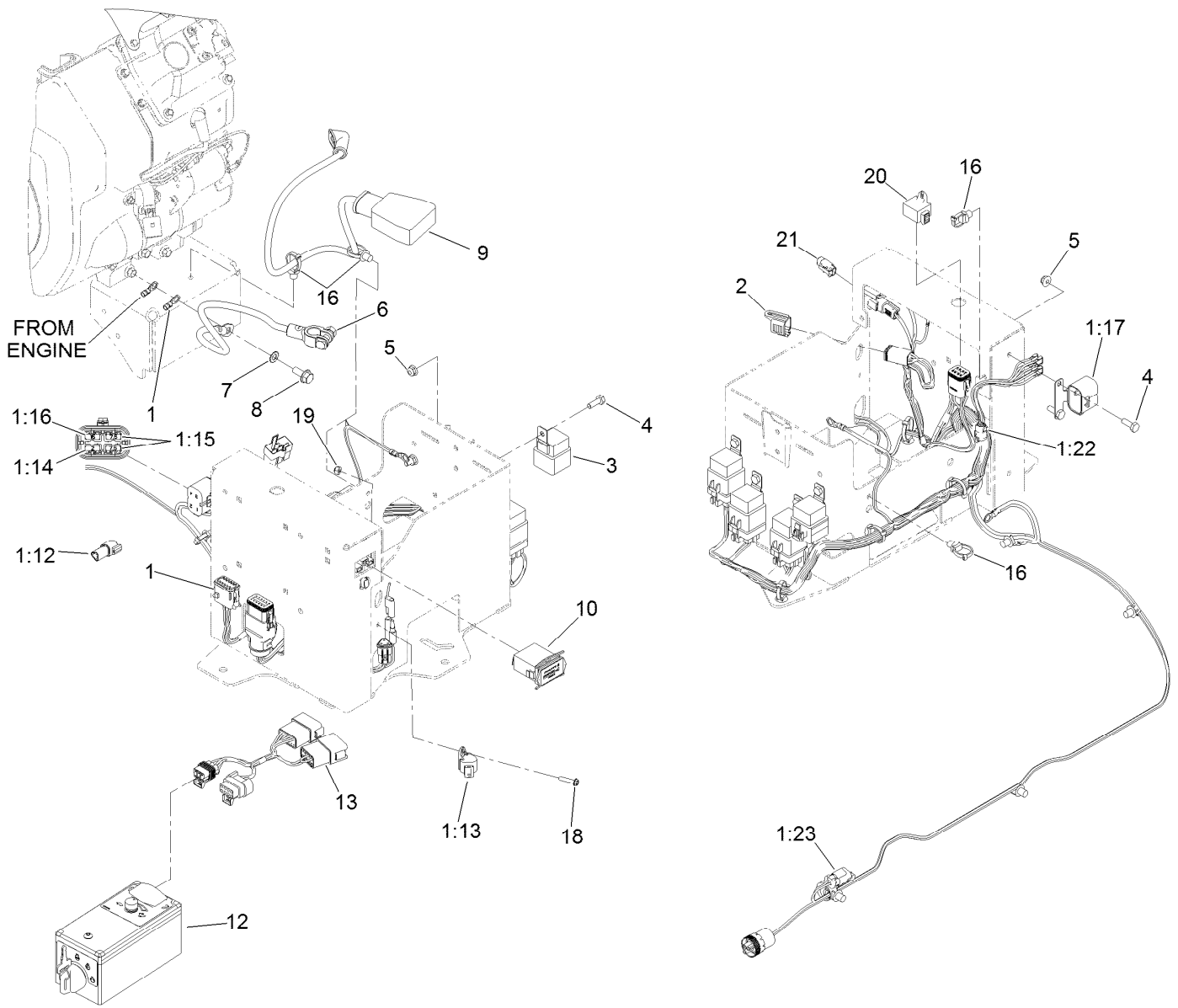
## Fuel Tank Assembly No. 115-9048

<i>Ref.</i>	<i>Part Number</i>	<i>Qty.</i>	<i>Description</i>
2	114-0284	1	Grommet
3	114-0285	1	Valve-Rollover
4	46-6560	1	Bushing
5	115-9044	1	Pipe-Stand
6	137-4127	1	Cap-Fuel
7	119-0509	1	Gauge ASM
7:2	119-0508	1	Seal



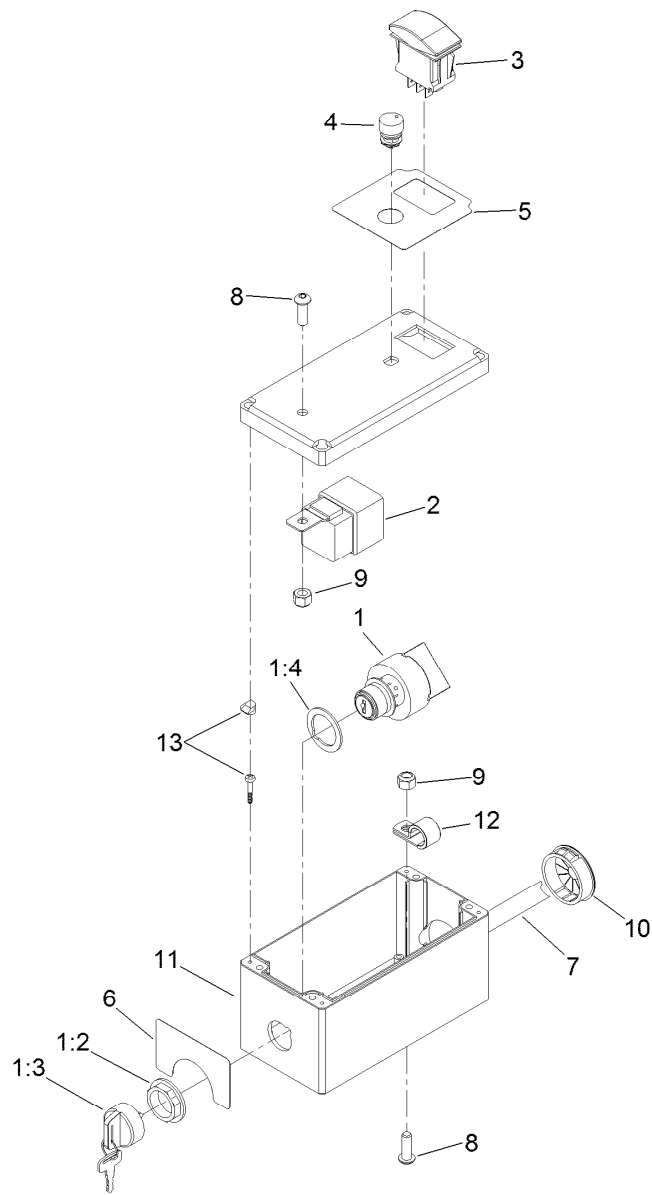
## Fuel Delivery Assembly

<i>Ref.</i>	<i>Part Number</i>	<i>Qty.</i>	<i>Description</i>	<i>Ref.</i>	<i>Part Number</i>	<i>Qty.</i>	<i>Description</i>
1	106-5317	3	Hose-Fuel	9	2412-80	5	Clamp-Hose
2	115-7854	1	Filter-Fuel, Inline	10	32180-030	6	Clip-Tie
3	119-8150	1	Hose-Fuel	11	119-8561	1	Hose-Fuel
4	133-8499	1	Valve-Check, Vacuum	12	106-8150	2	Fitting-Straight
5	107-9298	1	Hose-Fuel	13	92-2379	4	Clamp-Hose
6	119-6073	1	Hose-Fuel	14	120-2235	1	Filter-Fuel
7	110-3254	1	Hose-Fuel	15	110-4109	1	Hose-Fuel
8	2412-98	2	Clamp-Hose	16	3290-378	1	Tie-Cable



## Electrical Assembly

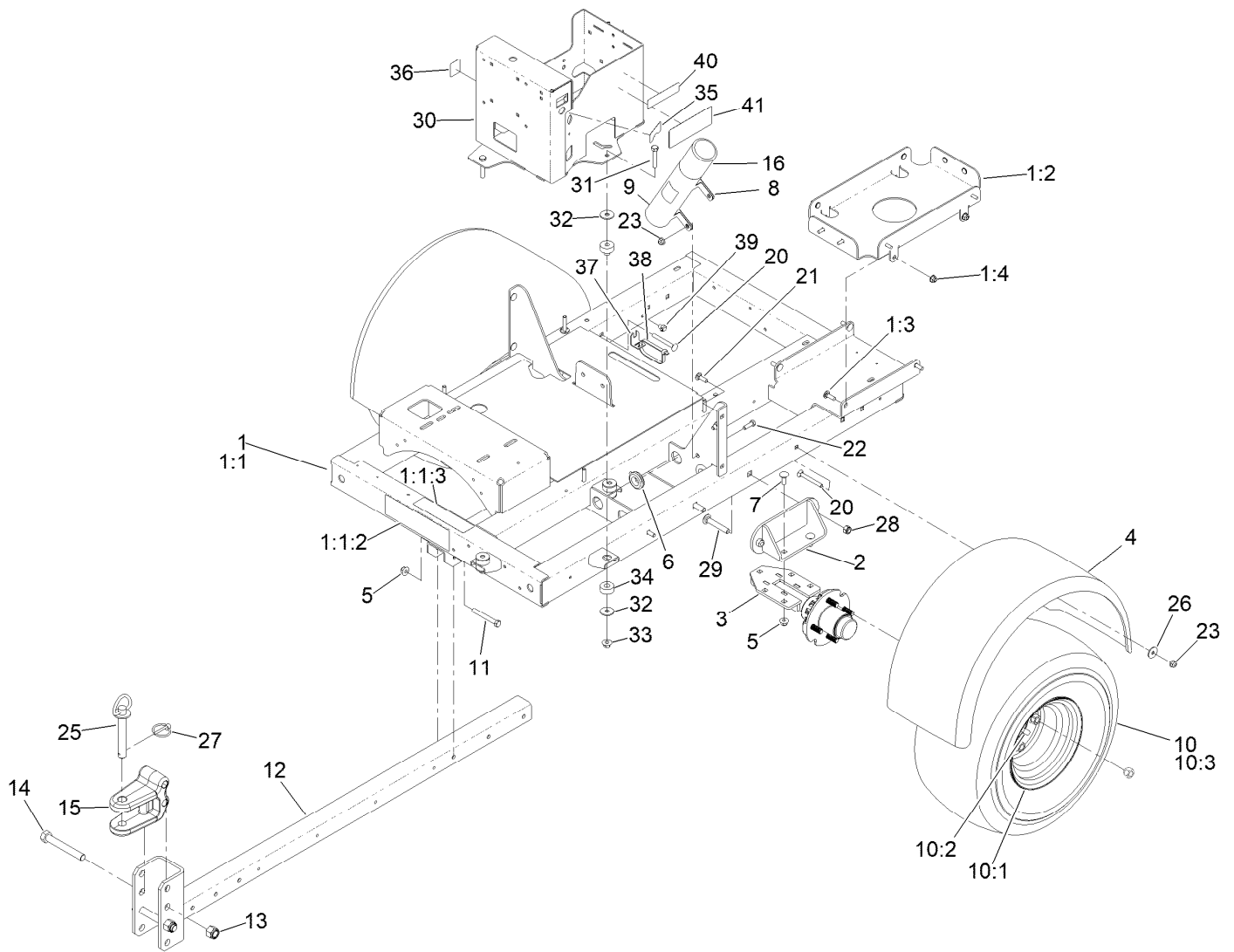
<i>Ref.</i>	<i>Part Number</i>	<i>Qty.</i>	<i>Description</i>	<i>Ref.</i>	<i>Part Number</i>	<i>Qty.</i>	<i>Description</i>
1	122-1747	1	Harness-Wire, Proforce Blower Rf2Can	6	125-5966	1	Cable-Battery, Negative
1:12	32180-043	2	Resistor-120 Ohm	7	3255-8	1	Washer-Lock
1:13	32180-089	1	Cap-Plug, 3 Way	8	33104-020	1	Screw-HHF
1:14	121-8861	1	Fuse-Mini Blade, 2 Amp	9	122-0629	1	Cable-Battery, Positive
1:15	121-8865	2	Fuse-Mini Blade, 7.5 Amp	10	120-2244	1	Hourmeter
1:16	121-8867	1	Fuse-Mini Blade, 15 Amp	12	119-6341	1	Tethered Control ASM
1:17	32180-179	1	Cover-Bussman	13	122-0620	1	Harness-Wire, Tether Adapter
1:22	32180-156	1	Cap-Plug, 6 Way	16	32180-030	3	Clip-Tie
1:23	32180-091	1	Cap-Dust, 2 Way	18	106-9169	1	Screw-HWH
2	32180-156	1	Cap-Plug, 6 Way	19	3296-2	1	Nut-Lock, NI
3	99-7430	4	Relay-Mini	20	32180-201	1	Cap-Plug
4	321-4	6	Screw-HH	21	32180-202	1	Cap-Plug
5	104-7201	6	Nut-HF, NI				



## Tethered Control Assembly No. 119-6341

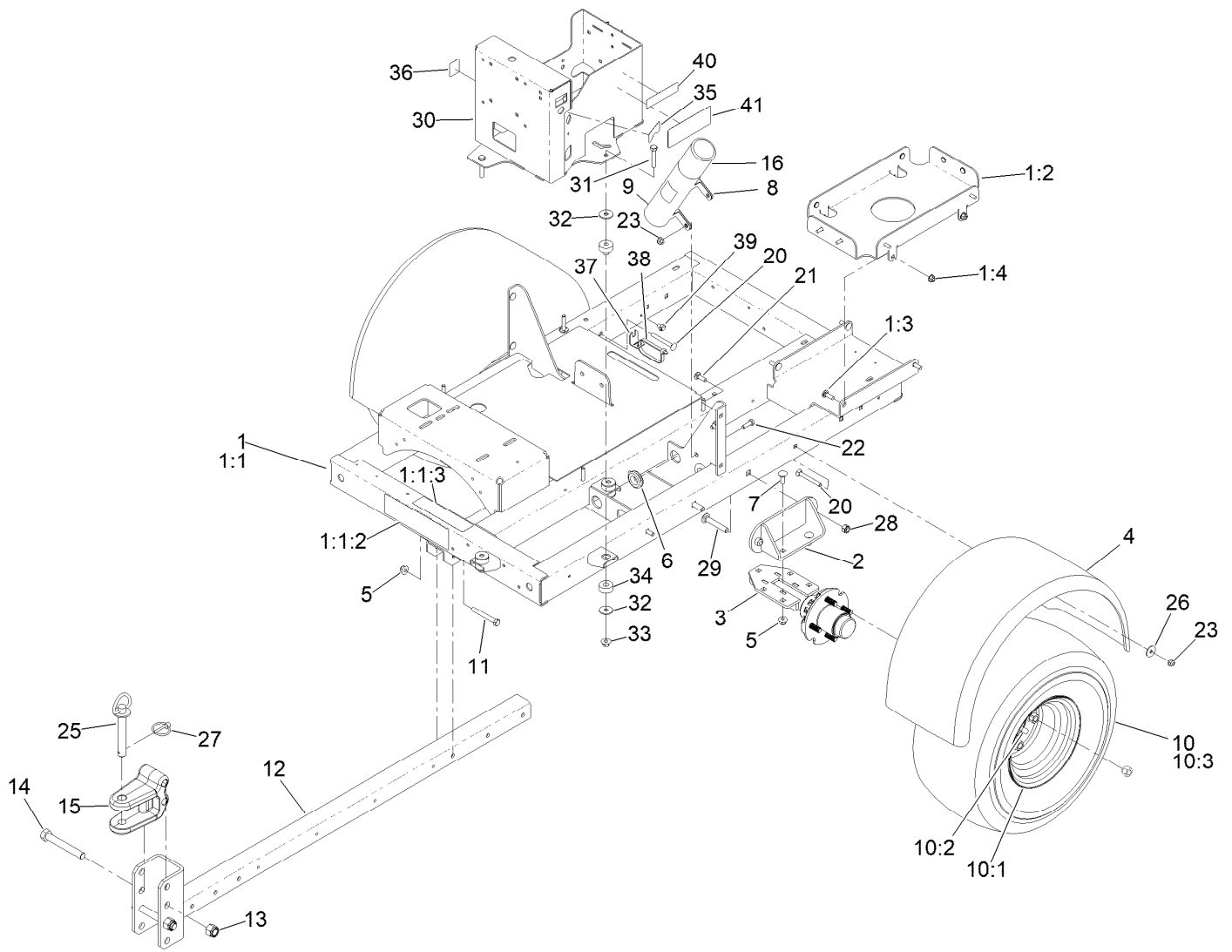
<i>Ref.</i>	<i>Part Number</i>	<i>Qty.</i>	<i>Description</i>	<i>Ref.</i>	<i>Part Number</i>	<i>Qty.</i>	<i>Description</i>
1	106-5269	1	Ignition Switch ASM	6	119-1776	1	Decal-Tether, Start
1:2	108-8660	1	Nut-Mounting	7	119-1757	1	Harness-Tethered Control
1:3	106-5270	1	Ignition Key Set	8	3274-69	2	Screw-HSBH
1:4	108-8659	1	Washer-Backup	9	3296-42	2	Nut-Lock, NI
2	99-7430	1	Relay-Mini	10	119-1105	1	Bushing
3	100-1535	1	Switch-Rocker, (On)-Off-(On)	11	119-1101	1	Box-Control
4	119-1774	1	Potentiometer	12	2412-73	1	Clamp-R
5	119-1775	1	Decal-Tether, Throttle	13	119-6243	1	Hardware Kit





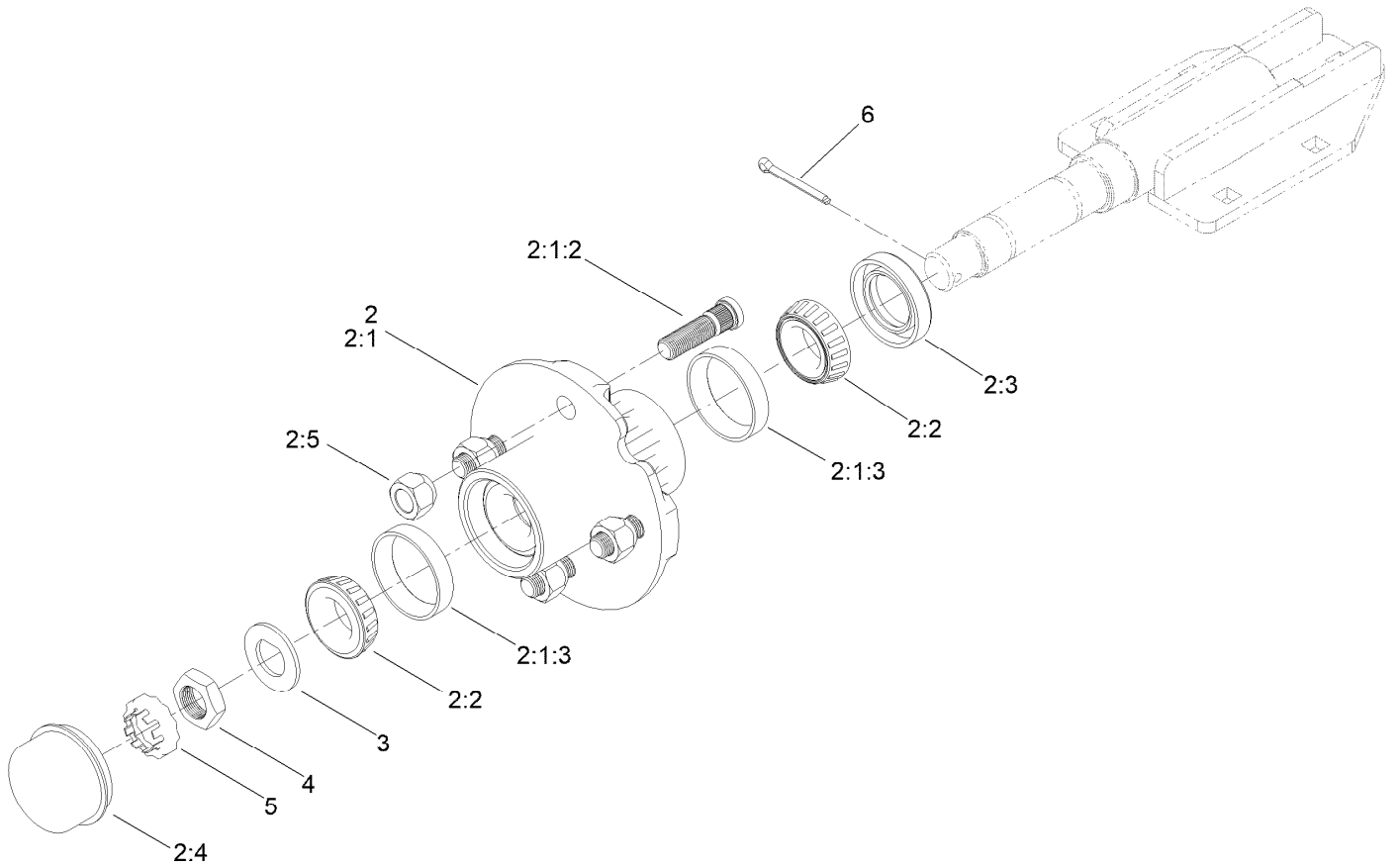
## Frame, Wheel, Axle and Hitch Assembly

Ref.	Part Number	Qty.	Description	Ref.	Part Number	Qty.	Description
1	161-7874	1	Frame ASM Service Kit	12	112-6942-01	1	Hitch
1:1	144-3212	1	Frame ASM, Service	13	3296-53	2	Nut-Lock, NI
1:1:2	140-6767	1	Decal-Warning,Db	14	327-23	2	Screw-HH
1:1:3	115-5113	1	Decal-Protection, Eye And Ear	15	131-4381-01	1	Hitch-Clevis
1:2	145-7461-01	1	Mount-Tank, 5GA [red]	16	104-7048	1	Cap-Housing
1:3	3230-2	4	Bolt-CARR	20	3230-9	4	Screw-CARR
1:4	104-8300	4	Nut-HF, NI	21	3230-2	4	Bolt-CARR
2	119-2958-01	2	Mount-Axle	22	322-5	2	Screw-HH
3	144-3630	2	Hub Axle Assembly	23	104-8300	10	Nut-HF, NI
4	112-6852	2	Fender	25	13-6200	1	Pin-Hitch, Pointed
5	104-8301	8	Nut-HF, NI	26	3256-82	8	Washer-Flat
6	1-543286	2	Grommet	27	92-1298	1	Pin-Lynch
7	3231-2	6	Bolt-CARR	28	3296-48	4	Nut-Hex
8	2412-133	2	Clamp-R	29	3232-17	4	Screw-CARR
9	104-7050	1	Tube-Manual	30	125-6055-01	1	Tower-Control, Wa
10	144-3664	2	Wheel-Assembly	31	323-10	3	Screw-HH
10:1	137-2597	1	Rim	32	93-8806	6	Washer-Hardened
10:2	232-27	1	Stem-Valve	33	32128-19	3	Nut-HF Lock, Large Flg
10:3	144-3665	1	Tire	34	121-2870	3	Mount-2 Piece
11	323-14	2	Screw-HH	35	119-6165	1	Decal-Ignition
				36	131-6766	1	Decal-Fuses



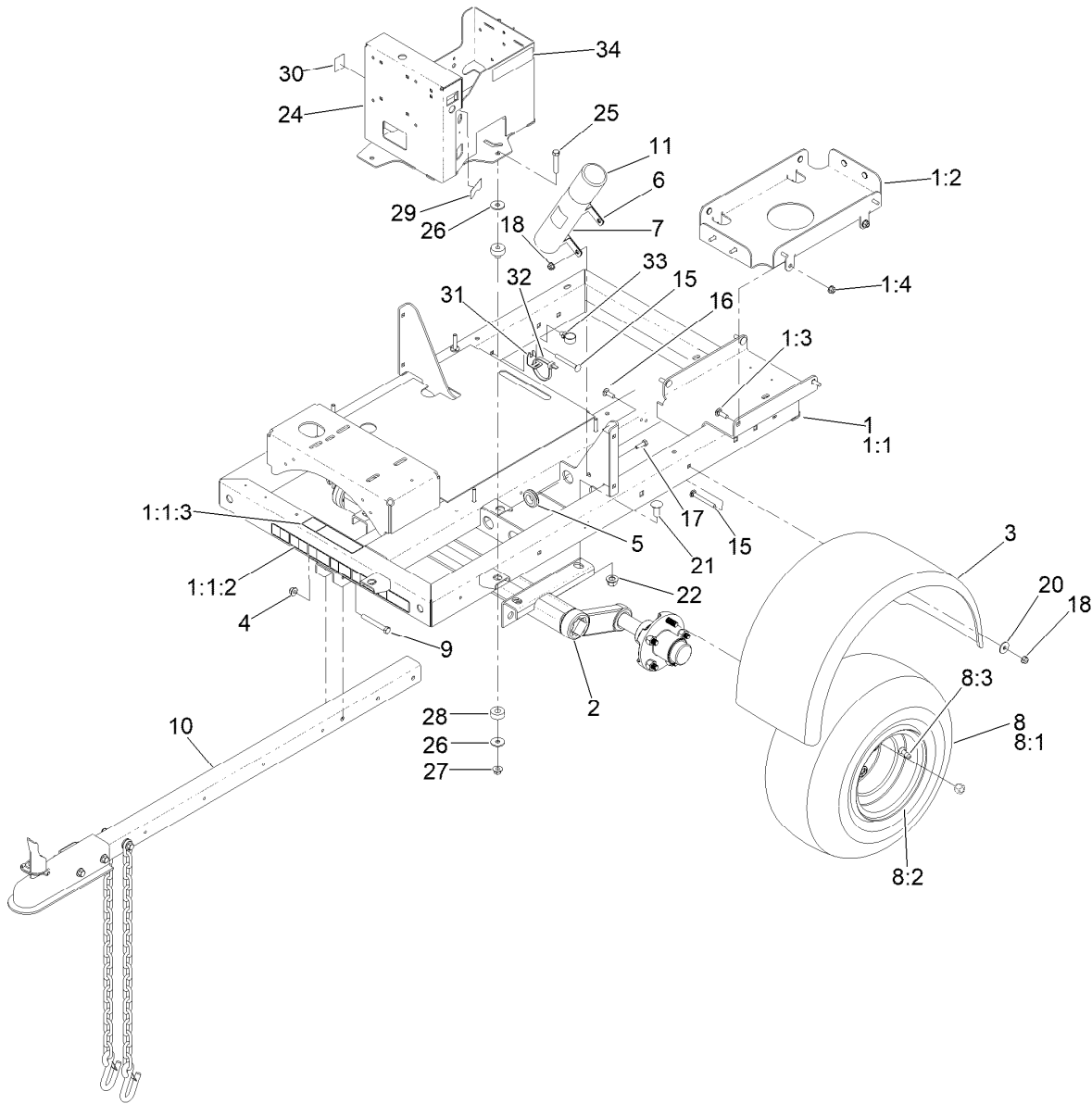
## Frame, Wheel, Axle and Hitch Assembly (continued)

<i>Ref.</i>	<i>Part Number</i>	<i>Qty.</i>	<i>Description</i>	<i>Ref.</i>	<i>Part Number</i>	<i>Qty.</i>	<i>Description</i>
37	131-6703	1	Bracket-Hold Down, Electrical	39	32180-030	1	Clip-Tie
38	3334-945	1	Tie-Cable	40	133-8062	1	Decal-Spark Arrestor
				41	140-6843	1	Decal - Proforce Frame



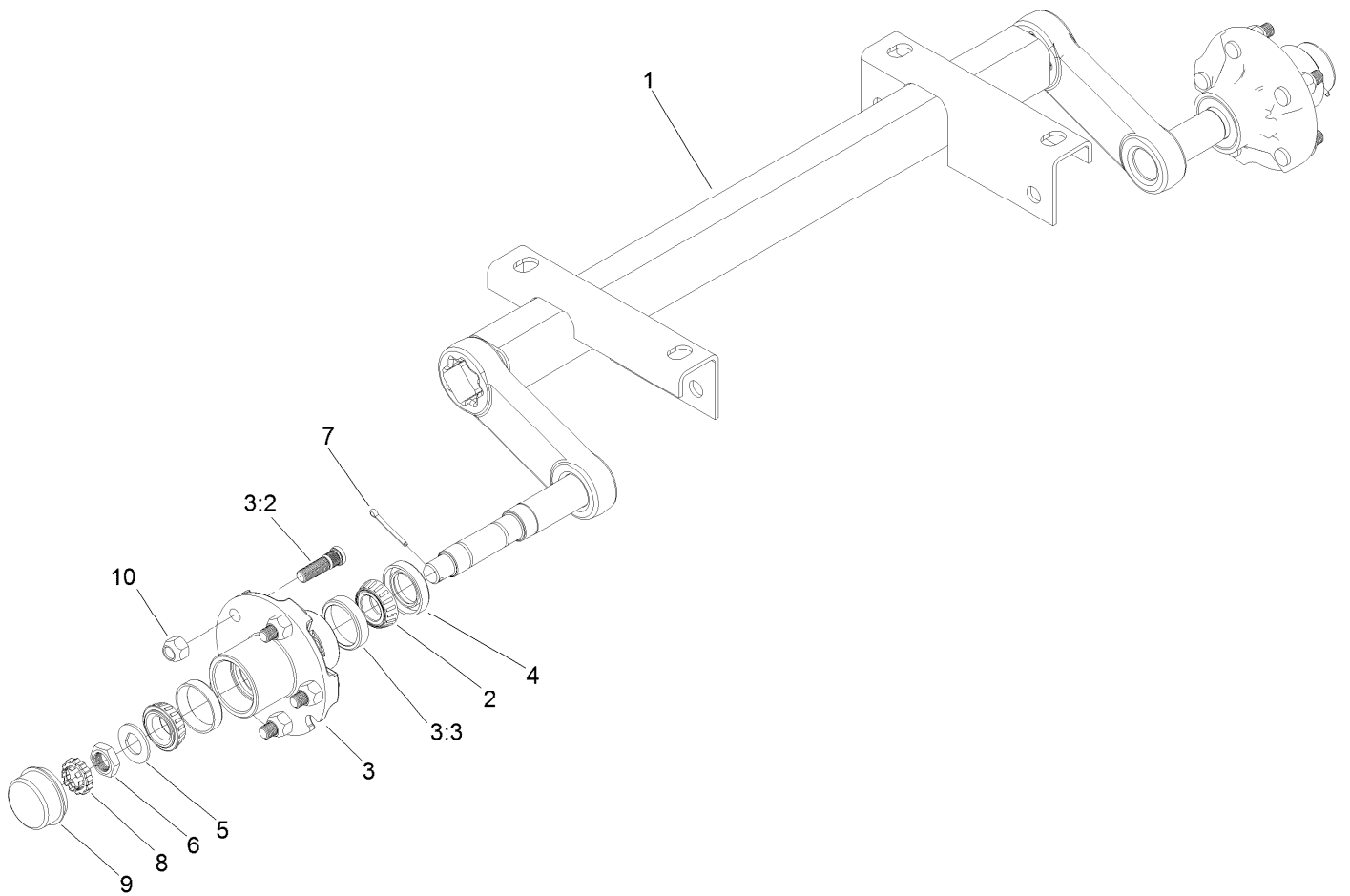
## Hub and Axle Assembly No. 144-3630

<i>Ref.</i>	<i>Part Number</i>	<i>Qty.</i>	<i>Description</i>
2	117-5115	1	Hub And Bearing ASM
2:1	117-8251	1	Hub ASM
2:1:2	114-3918	4	Stud-Wheel
2:1:3	254-72	2	Bearing-Cup, Tapered
2:2	254-94	2	Bearing-Cone, Tapered
2:3	112-1690	1	Seal-Oil
2:4	241-119	1	Cap-Dust
2:5	139-2564	4	Nut-Lug
3	117-8259	1	Washer-Spindle
4	117-8260	1	Nut
5	93-0307	1	Nut-Lock, Retainer
6	3272-18	1	Pin-Cotter



## Frame Assembly

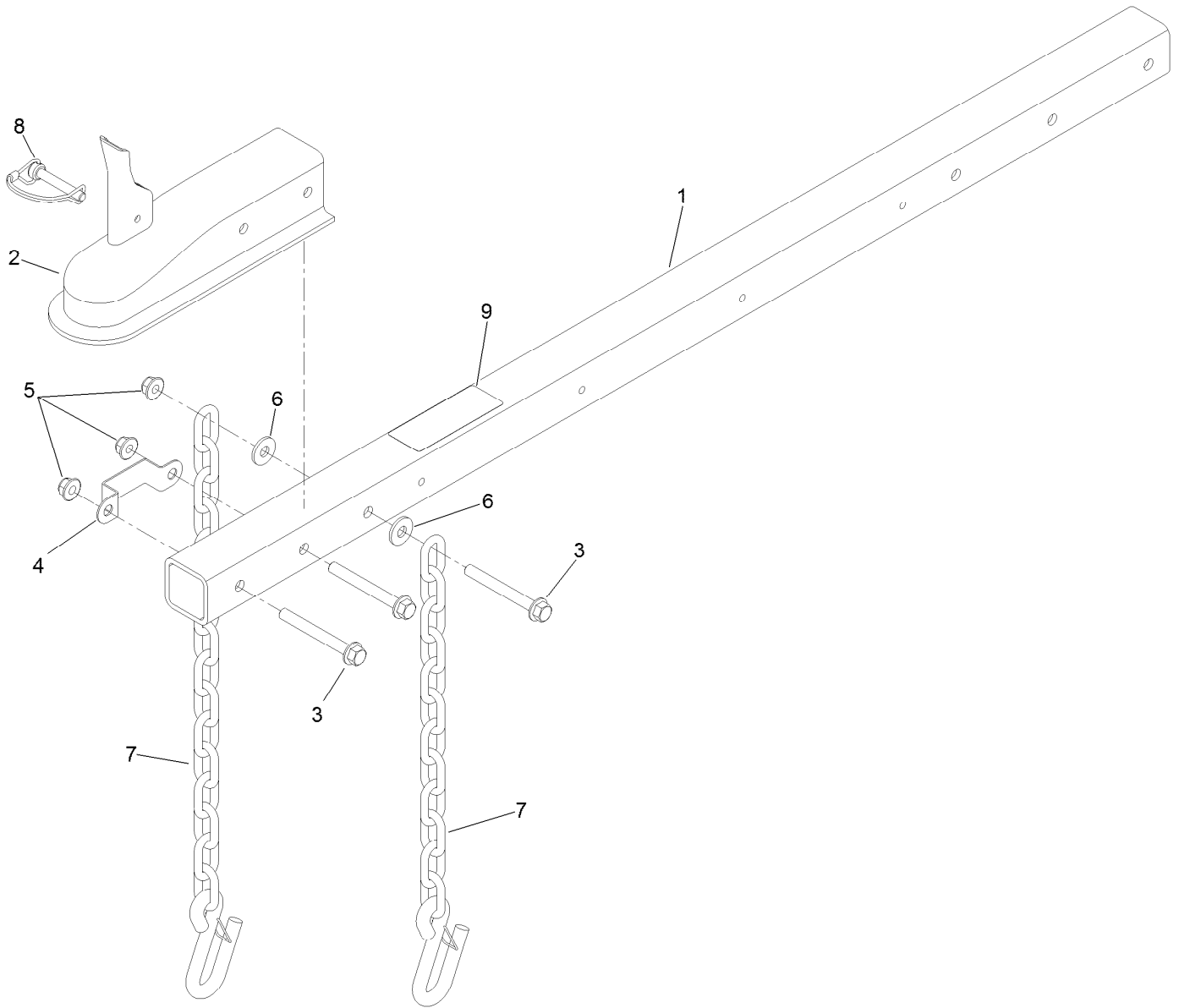
Ref.	Part Number	Qty.	Description	Ref.	Part Number	Qty.	Description
1	161-7874	1	Frame ASM Service Kit	11	104-7048	1	Cap-Housing
1:1	144-3212	1	Frame ASM, Service	15	3230-9	4	Screw-CARR
1:1:2	140-6767	1	Decal-Warning,Db	16	3230-2	4	Bolt-CARR
1:1:3	115-5113	1	Decal-Protection, Eye And Ear	17	322-5	2	Screw-HH
1:2	145-7461-01	1	Mount-Tank, 5GA [red]	18	104-8300	10	Nut-HF, NI
1:3	3230-2	4	Bolt-CARR	20	3256-82	8	Washer-Flat
1:4	104-8300	4	Nut-HF, NI	21	3233-26	4	Screw-CARR,Shortneck
2	119-2966	1	Axle ASM	22	99-5107	4	Nut-Lock
3	112-6852	2	Fender	24	125-6055-01	1	Tower-Control, Wa
4	104-8301	2	Nut-HF, NI	25	323-10	3	Screw-HH
5	1-543286	2	Grommet	26	93-8806	6	Washer-Hardened
6	2412-133	2	Clamp-R	27	32128-19	3	Nut-HF Lock, Large Fig
7	104-7050	1	Tube-Manual	28	121-2870	3	Mount-2 Piece
8	119-3013	2	Wheel And Tire ASM	29	119-6165	1	Decal-Ignition
8:1	119-3009	1	Tire	30	131-6766	1	Decal-Fuses
8:2	119-3010	1	Rim	31	131-6703	1	Bracket-Hold Down, Electrical
8:3	232-27	1	Stem-Valve	32	3334-945	1	Tie-Cable
9	323-14	2	Screw-HH	33	32180-030	1	Clip-Tie
10	119-3005	1	Hitch ASM	34	133-8062	1	Decal-Spark Arrestor



## Axle Assembly No. 119-2966

Ref.	Part Number	Qty.	Description
1		1	Axle-Torsion ●
2	254-94	4	Bearing-Cone, Tapered
3	119-3016	1	Hub ASM
3:2	114-3918	5	Stud-Wheel
3:3	254-72	2	Bearing-Cup, Tapered
4	112-1690	2	Seal-Oil
5	117-8259	2	Washer-Spindle
6	117-8260	2	Nut
7	3272-18	2	Pin-Cotter
8	93-0307	2	Nut-Lock, Retainer
9	241-119	2	Cap-Dust
10	139-2564	10	Nut-Lug

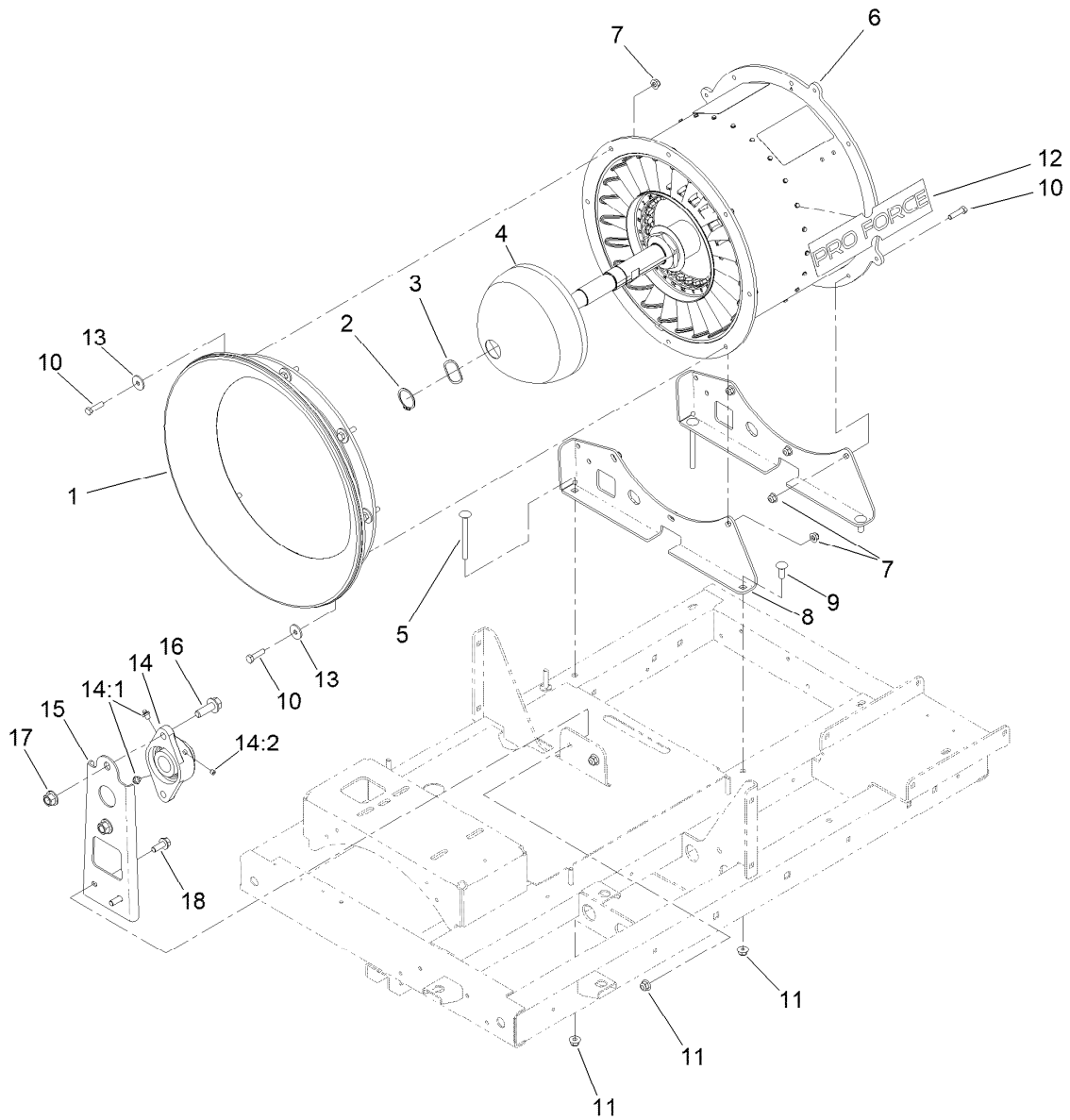
● Not serviced separately



## Hitch Assembly No. 119-3005

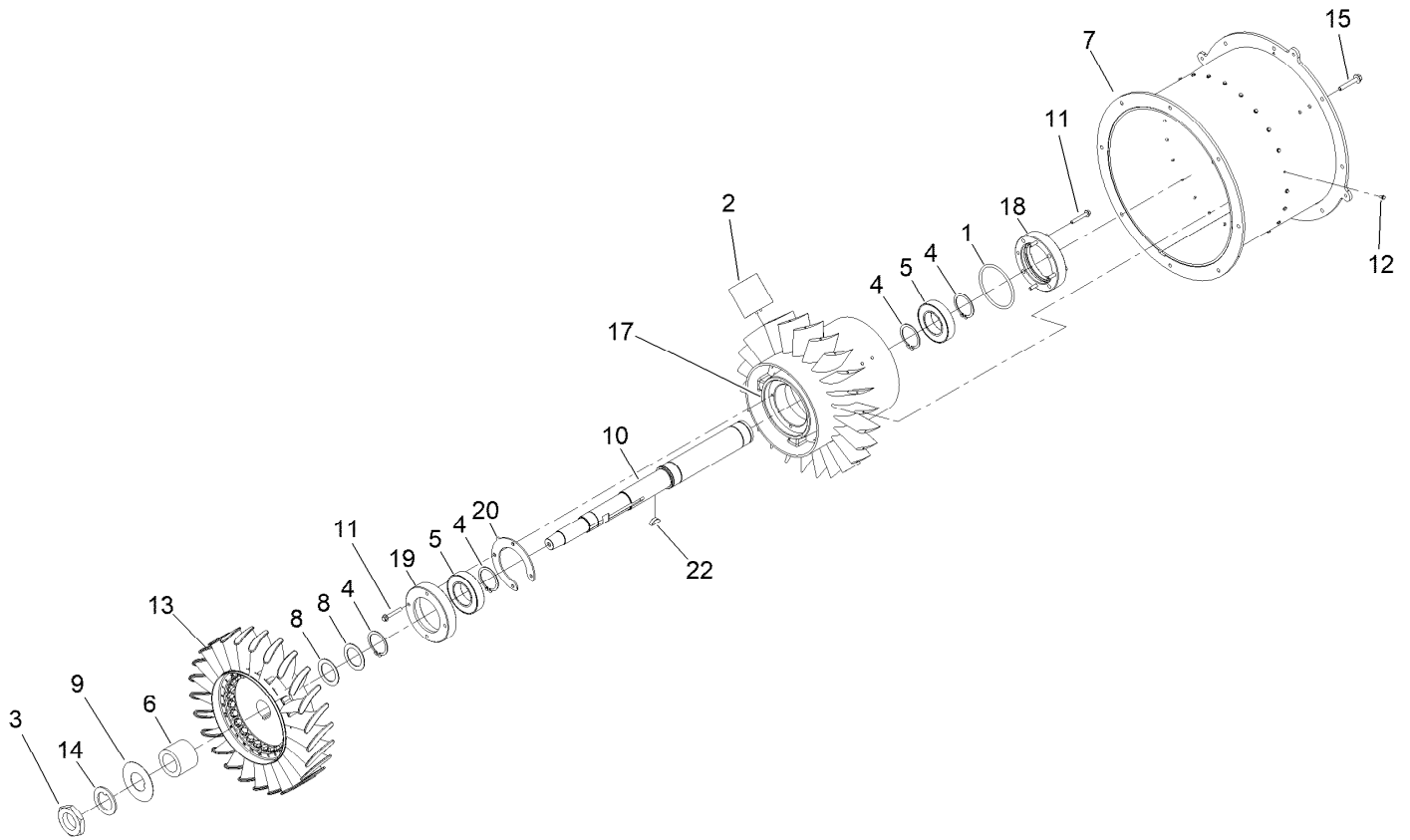
Ref.	Part Number	Qty.	Description
1		1	Tube-Hitch ●
2	117-8371	1	Receiver-Hitch, Ball
3	3234-41	3	Screw-HHF
4	119-3006	1	Hook-Light
5	104-8301	3	Nut-HF, NI
6	80-6990	2	Washer-Hardened
7	119-3045	2	Chain-Safety, Trailer
8	105-9245	1	Pin-Lock
9	119-6162	1	Decal-Tire

● Not serviced separately



## Turbine Mounting Assembly

<i>Ref.</i>	<i>Part Number</i>	<i>Qty.</i>	<i>Description</i>	<i>Ref.</i>	<i>Part Number</i>	<i>Qty.</i>	<i>Description</i>
1	117-8329	1	Bell-Inlet	11	104-8301	4	Nut-HF, NI
2	112-1952	1	Ring-Snap, EXT	12	115-5102	2	Decal
3	93-4632	1	Washer-Wavey	13	115-7109	8	Washer-Flat
4	131-9440	1	Cap-Front	14	94-7484	1	Bearing
5	3231-24	2	Screw-CARR	14:1	302-2	2	Fitting-Grease
6	140-6946SP	1	Turbine ASM-Horizontal	14:2	106-9662	1	Screw-Set, HSH
7	104-8300	11	Nut-HF, NI	15	144-3316-01	1	Mount-Bearing
8	140-6983-01	2	Mount-Housing	16	100-6116	2	Screw-HHF
9	3231-22	2	Screw-CARR	17	99-5107	2	Nut-Lock
10	322-6	11	Screw-HH	18	3234-42	2	Screw-HHF

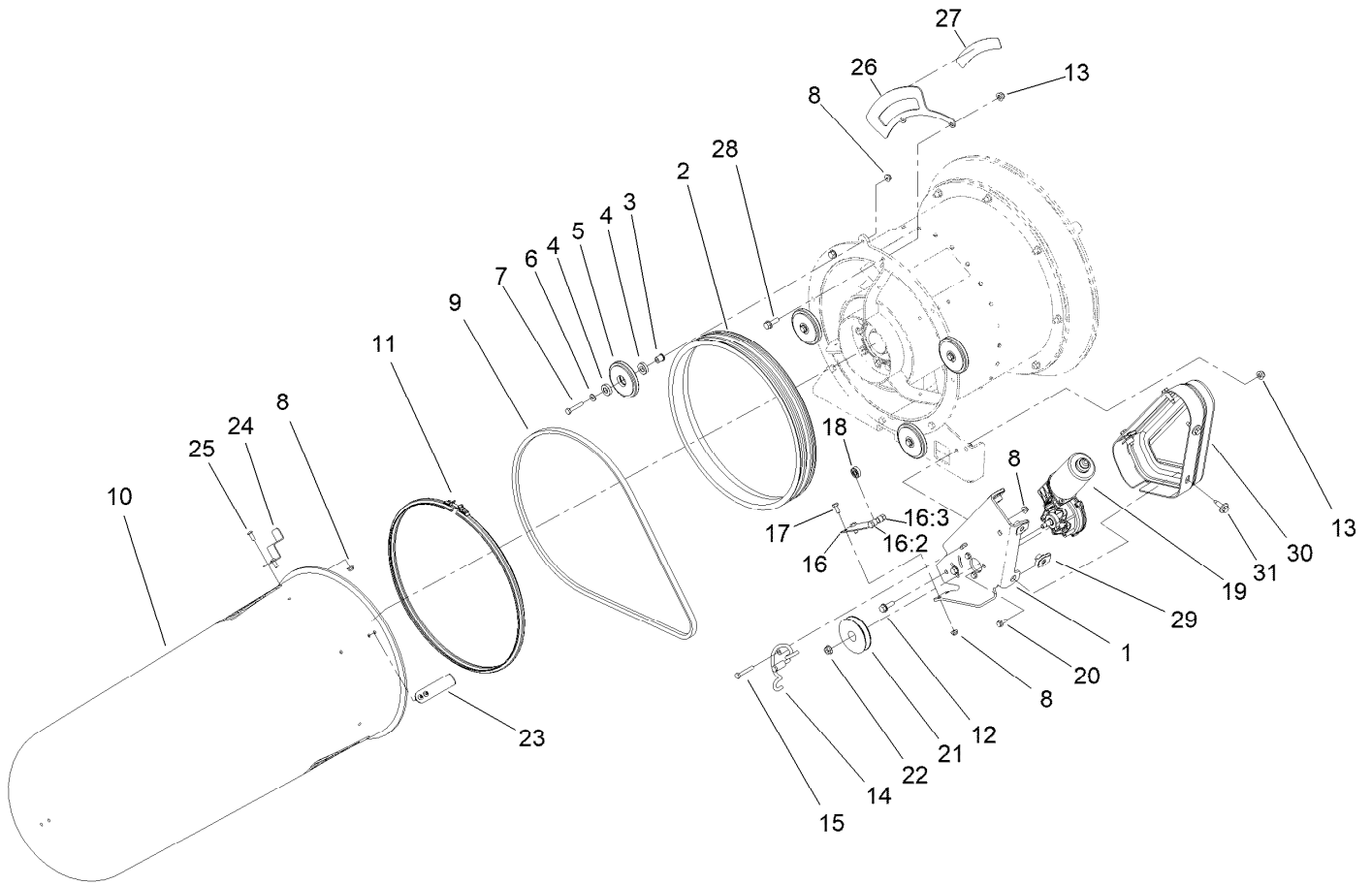


## Turbine Assembly No. 140-6946SP

<i>Ref.</i>	<i>Part Number</i>	<i>Qty.</i>	<i>Description</i>
1	92-9533	1	O-Ring
2	112-1871	24	Vane-Stator
3	112-1899	1	Nut
4	112-1951	4	Ring-Snap, EXT
5	112-6764	2	Bearing-Ball
6	114-2164	1	Spacer
7	140-6945	1	Housing-Horizontal, Service ASM
8	115-5131	2	Washer
9	115-9005	1	Washer-Tab
10	140-6997	1	Shaft-Fan Long

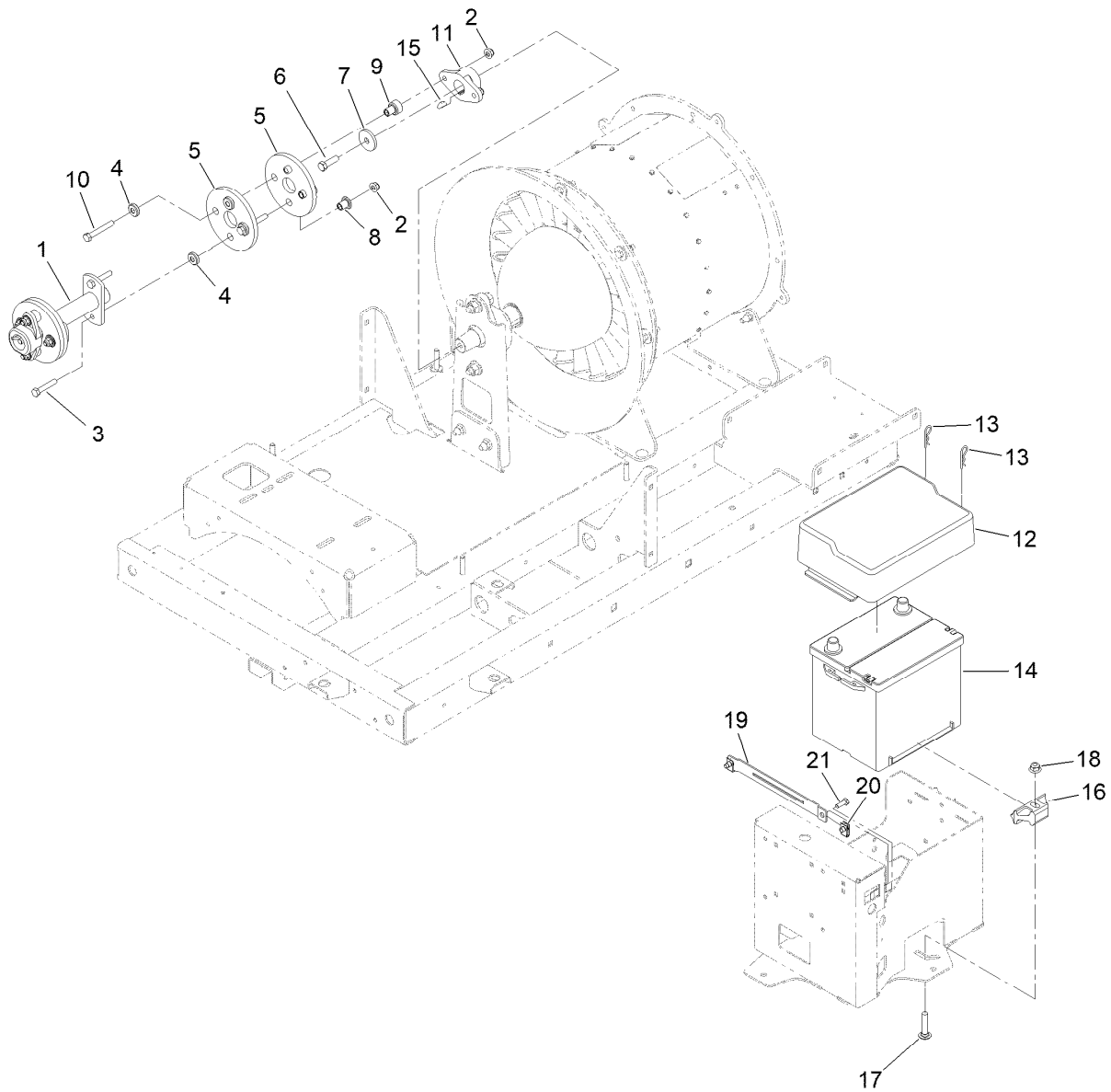
<i>Ref.</i>	<i>Part Number</i>	<i>Qty.</i>	<i>Description</i>
11	125-4287	8	Screw-HHF
12	117-8303	24	Screw-HWH
13	117-8356	1	Rotor
14	119-6202	1	Washer-Tab
15	161-7875	4	Screw-HHSF
17	145-7583	1	Inner Housing
18	140-6933	1	End-Oring
19	120-6061	1	Bearing-Cap
20	120-6063	1	End-Cap
22	3257-42	1	Key-Woodruff





## Nozzle Assembly

<i>Ref.</i>	<i>Part Number</i>	<i>Qty.</i>	<i>Description</i>	<i>Ref.</i>	<i>Part Number</i>	<i>Qty.</i>	<i>Description</i>
1	140-6849-01	1	Bracket-Motor, Covered	16:3	3296-42	1	Nut-Lock, NI
2	112-1874	1	Pulley-Nozzle	17	321-3	2	Screw-HH
3	140-6982	4	Spacer-Bearing	18	251-259	1	Bearing-Ball
4	115-6870	8	Bearing-Ball, Sealed	19	144-3274	1	Motor-Reversible
5	140-6979	4	Roller-Bearing	20	114-8414	3	Screw-HHF
6	120-9679	4	Washer-Flat	21	115-5147	1	Pulley
7	321-9	4	Screw-HH	22	98-0668	1	Nut
8	104-7201	12	Nut-HF, NI	23	140-2220-01	1	Indicator
9	112-1853	1	Belt-V	24	140-6685-07	1	Indicator
10	144-3382	1	Nozzle-Toro Proforce Trailer	25	119-6906	4	Screw-HSBH
11	112-6899	1	Clamp-Nozzle	26	140-6814-03	1	Gauge-Rotation
12	3234-29	2	Screw-HHF	27	140-2247	1	Decal-Position, Chute
13	104-8300	2	Nut-HF, NI	28	3234-17	2	Screw-HHF
14	112-6924	1	Guard-Belt, Drive	29	105-4886	4	Nut-Tinnerman
15	321-37	2	Screw-HH	30	140-6848	1	Motor-Cover
16	110-9650	1	Leaf Spring ASM	31	3234-42	4	Screw-HHF
16:2	36-2250	1	Bolt-Shoulder				



## Driveshaft and Battery Assembly

Ref.	Part Number	Qty.	Description
1	140-6936-03	1	Drive-Shaft, Short [black]
2	104-8300	8	Nut-HF, NI
3	322-39	4	Screw-HH
4	131-6761	8	Washer
5	115-5129	4	Coupling-Rubber
6	323-7	2	Screw-HH
7	114-2120	2	Washer
8	131-6763	4	Spacer-Coupling, Rubber
9	131-6762	4	Spacer-Coupling, Rubber
10	322-32	4	Screw-HH
11	114-2122	2	Hub-Engine

Ref.	Part Number	Qty.	Description
12	130-8569	1	Cover-Battery
13	3290-467	2	Pin-Hair
14	106-5187	1	Battery- Dry, 12V, 525 CCA
15	3257-5	2	Key-Woodruff
16	138-6335	1	Retainer-Battery
17	3231-5	1	Screw-CARR
18	104-8301	1	Nut-HF, NI
19	130-0932-01	1	Bracket-Cover
20	107069	2	Clip
21	321-4	2	Screw-HH

**Notes:**



**Count on it.**